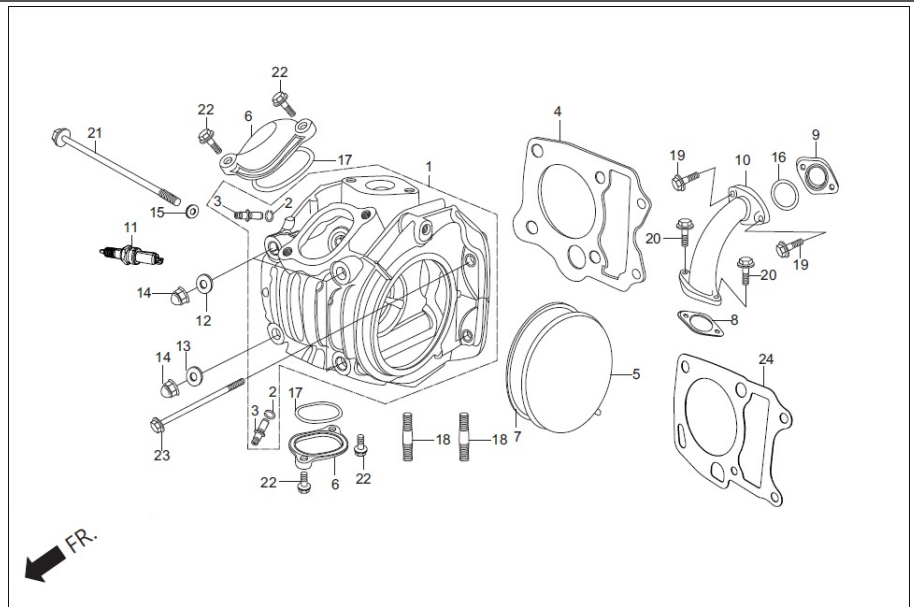


PARTS CATALOGUE

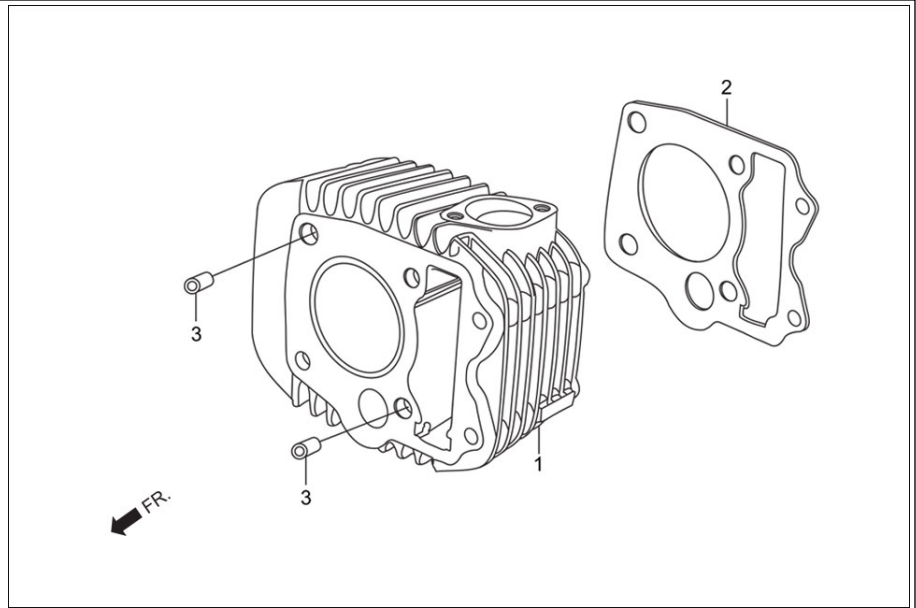
Dawn 125 (Feb, 2016)

E-1
CYLINDER HEAD



Service Item	F.R.T.	Group Number: E-1 Model :: Dawn 125 (Feb, 2016)			
		Ref No.	Part Number	Description	Req.
* HEAD COMP CYLINDER	1.6	1	12200-AAG-400	HEAD COMP., CYLINDER	1
* GASKET, CYLINDER HEAD	--	2	12213-KSP-910	CLIP VALVE GUIDE	2
* COVER, 'L' CYLINDER HEAD SIDE	0.2	3	12237-KPH-305	GUIDE, VALVE (OS)	2
* SPARK PLUG	0.1	4	12251-KPH-901	GASKET, CYLINDER HEAD	1
* INSULATOR, CARBURETTOR	0.2	5	12341-KTR-H80	COVER L CYL. HEAD SIDE	1
* PIPE COMP INLET	0.3	6	12361-KTR-A00	COVER, TAPPET ADJUSTING HOLE.	2
		7	12395-KPH-901	GASKET, L CYL.HEAD SIDE COVER	1
			12395-AAG-101	GASKET L CYL HEAD SIDE COVER	1
		8	16201-KTR-A00	GASKET, CARBU INSULATOR	1
		9	16211-KTC-900	INSULATOR, CARBURETTOR	1
		10	17110-AAG-400	PIPE COMP., INLET	1
		11	31916-KPH-90099	SPARK PLUG	1
		12	90441-286-000	WASHER, SEALING, 8 MM	3
		13	90441-ME9-000	WASHER, SEALING, 8 MM	1
		14	90443-107-000	NUT, CAP, 8 MM	4
		15	90461-357-000	WASHER, SEALING, 12 MM	1
		16	91304-KPG-T00	O-RING , 28 X 2.4	1
		17	91372-KPH-900	O-RING , TAPPET ADJUSTING	2
		18	92900-08025-0E	BOLT STUD 2,8X25	2
		19	95701-06022-00	BOLT, FLANGE, SH. 6 X 22	2
		20	95701-06025-00	BOLT, FLANGE, 6X 25	2
		21	95701-06110-00	BOLT, FLANGE, 6 X 110	1
		22	96001-06020-00	BOLT, FLANGE, SH. 6 X 20	4
		23	96001-06095-00	BOLT, FLANGE, SH. 6 X 95	2
		24	12191-AAG-101	GASKET CYLINDER	1

E-2 CYLINDER

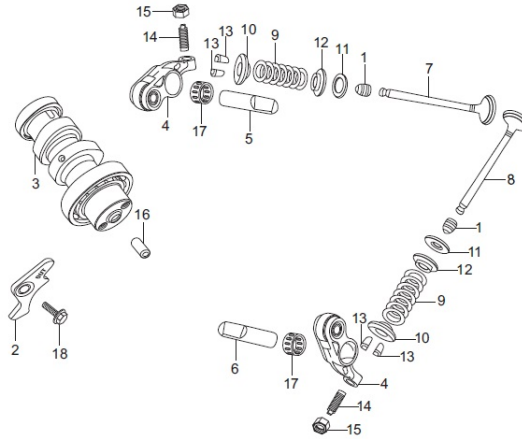


Service Item	F.R.T.
* CYLINDER	1.2
* GASKET, CYLINDER	1.1

Group Number: E-2 Model :: Dawn 125 (Feb, 2016)

Ref No.	Part Number	Description	Req.
1	12100-KTR-H80	CYLINDER COMP.	1
2	12191-KPH-901	GASKET, CYLINDER	1
3	94301-10120	DOWEL PIN, 10X12	2

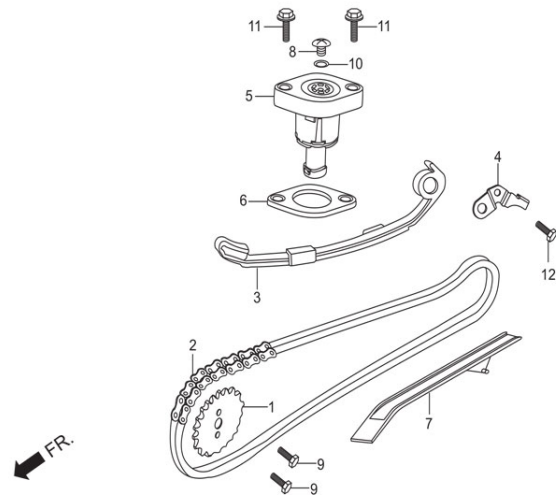
E-3
CAM SHAFT/VALVE



FR. ←

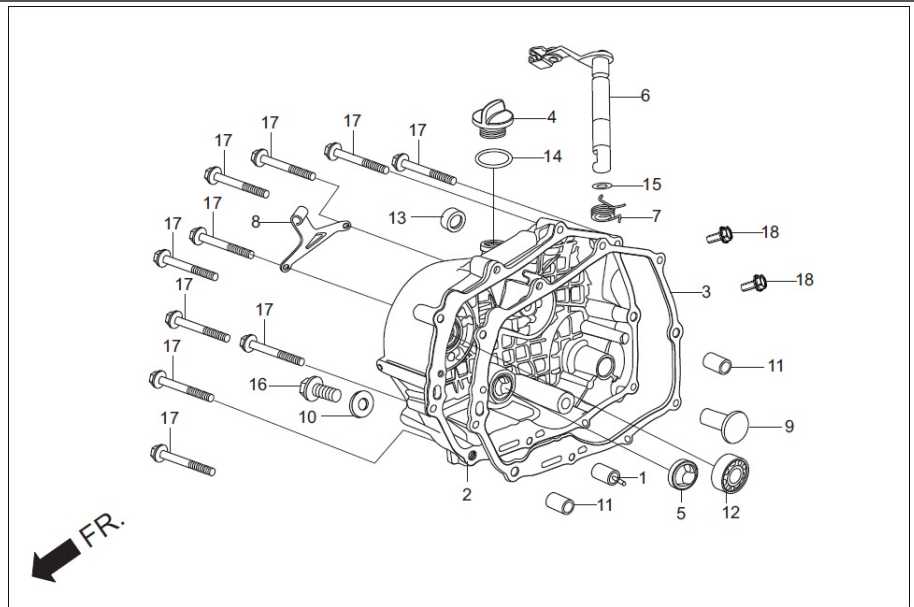
Service Item	F.R.T.	Group Number: E-3 Model :: Dawn 125 (Feb, 2016)			
* SHAFT COMP, CAM	0.7	Ref No.	Part Number	Description	Req.
* ARM, VALVE ROCKER (ONE OR ALL)	1.1	1	12209-AAN-410	SEAL VALVE STEM	2
* VALVE (ADD 02 FOR EACH)	--	2	12211-KPH-900	PLATE, STOPPER	1
(INC REFACING)	1.4	3	14100-KTC-900	SHAFT COMP., CAM	1
(EXC VALVE GUIDE REPLACEMENT)	--	4	14430-KTC-900	ARM COMP., VALVE ROCKER	2
* SPRING, VALVE	--	5	14451-KTC-900	SHAFT, IN. ROCKER ARM	1
		6	14452-KTC-900	SHAFT, EXH. ROCKER ARM	1
		7	14711-KTC-900	VALVE, INLET	1
		8	14721-KTC-900	VALVE, EXHAUST	1
		9	14751-KPH-900	SPRING, VALVE	2
		10	14771-GB4-680	RETAINER, VALVE SPRING	2
		11	14775-KFM-900	SEAT, VALVE SPRING OUTER	2
		12	14776-KPH-900	SEAT VALVE, SPRING	2
		13	14781-MA6-000	COTTER, VALVE	4
		14	90012-333-000R	SCREW, TAPPET ADJUSTING	2
		15	90206-001-000	NUT, TAPPET ADJUSTING	2
		16	90702-GB6-910	PIN, DOWEL, 8 X 12	1
		17	91105-KTC-900	BRG., ROCKER ARM SHAFT	2
		18	95701-06012-00	BOLT, FLANGE, 6X12	1

E-4
CAM CHAIN TENSIONER



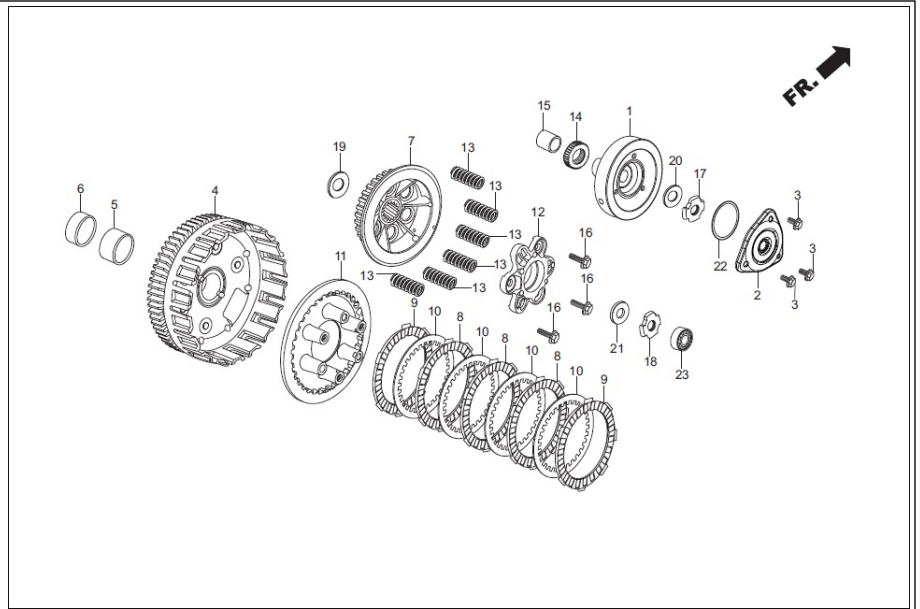
Service Item	F.R.T.	Group Number: E-4 Model :: Dawn 125 (Feb, 2016)			
* SPROCKET, CAM(34T)	0.7	Ref No.	Part Number	Description	Req.
* CHAIN, CAM	1.6	1	14321-AAG-400	SPROCKET CAM	1
* TENSIONER ASSY CAM CHAIN	1.7	2	14401-AAG-00099	SILENT CHAIN ASSEMBLY	1
* LIFTER ASSY TENSIONER	0.4	3	14510-KTC-901	TENSION ASSY. CAM CHAIN	1
*GASKET TENSIONER LIFTER	--	4	14515-KTC-901	PLATE TENSIONER SET	1
*GUIDE CAM CHAIN	*2.8	5	14520-KTC-902	LIFTER ASSY., TENSIONER	1
		6	14560-KSP-910	GASKET, TENSIONER LIFTER	1
		7	14610-KPH-900	GUIDE , CAM CHAIN	1
		8	90005-KY7-000	SCREW, PAN, 6X6	1
		9	90083-KVH-900	BOLT, KNOCK, 5 MM	2
		10	91306-MG3-000	O- RING, 1.5X9.5	1
		11	96001-06022-00	BOLT, FLANGE, SH. 6 X 22	2
		12	96001-06014-00	BOLT, FLANGE, SH. 6 X 14	1

E-5
RIGHT CRANK CASE COVER



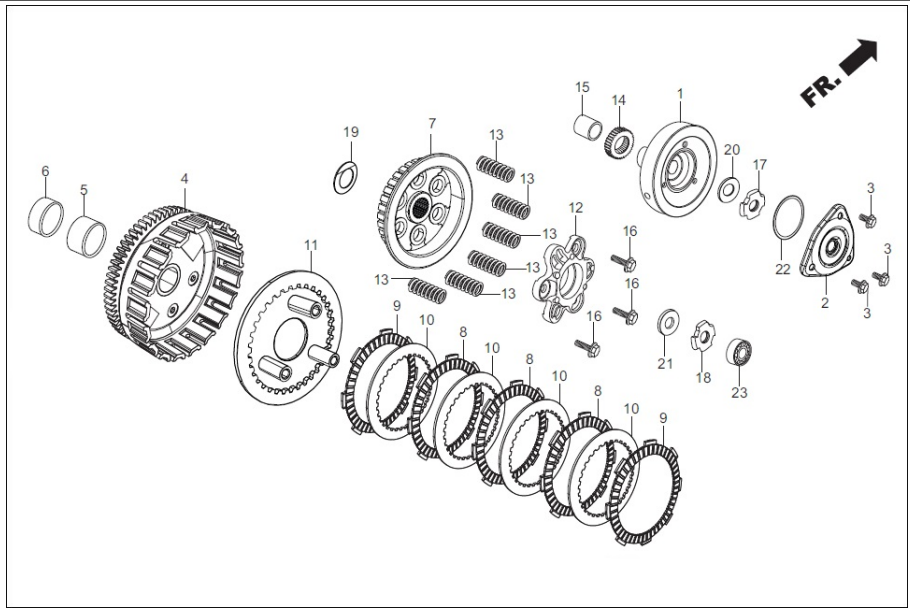
Service Item	F.R.T.	Group Number: E-5 Model :: Dawn 125 (Feb, 2016)			
* COVER COMP, 'R' CRANK CASE	0.8	Ref No.	Part Number	Description	Req.
* GASKET, 'R' CRANK CASE COVER ...	0.6	1	11133-KPH-900	OIL JET 0.8 MM	1
* LEVER COMP, CLUTCH	0.7	2	11330-AAG-400	COVER COMP R CRANK CASE	1
(INC RELATIVE PART)	--	3	11394-KPH-901	GASKET, R CRANK CASE COVER	1
* OIL SEAL 16X28X7	--	4	15611-KTC-900	CAP, OIL FILTER	1
		5	15661-KTC-900	FINDER, OIL LEVEL	1
		6	22810-KTC-900	LEVER COMP., CLUTCH	1
		7	22815-166-000	SPRING, CLUTCH LEVER	1
		8	22821-KTC-940	RECIEVER, CLUTCH CABLE	1
		9	22847-KCC-900	ROD, CLUTCH LIFTER	1
		10	90463-KRM-840	WASHER SEALING 6.2 MM	1
		11	90702-GB6-910	PIN, DOWEL,8 X 12	2
		12	91007-KPH-901	BRG., BALL RADIAL 6001 U SPL	1
		13	91204-MC7-003	OIL SEAL, 16 X 28 X 7	1
		14	91307-035-000	O-RING,18 X 3	1
		15	91303-719-000	O-RING,9 MM	1
		16	95701-06012-00	BOLT, FLANGE, 6X12	1
		17	96001-06040-00	BOLT, FLANGE, SH. 6 X 40	10
		18	15441-KTC-900A	BOLT, FLANGE 6 X 14 (PRE COATING)	2

E-6
CLUTCH



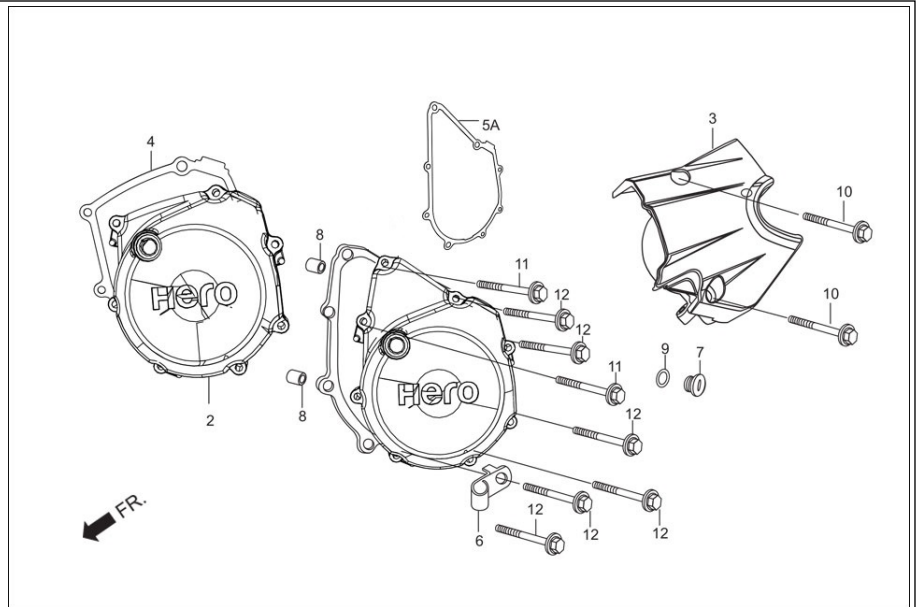
Service Item	F.R.T.	Group Number: E-6 Model :: Dawn 125 (Feb, 2016)			
* ROTOR, OIL FILTER	0.9	Ref No.	Part Number	Description	Req.
* COVER, OIL FILTER	0.7	1	15431-KTC-901	ROTOR, OIL FILTER	1
* OUTER COMP, CLUTCH	1.2	2	15441-KTC-900	COVER, OIL FILTER	1
* CENTER COMP CLUTCH	--	3	15441-KTC-900A	BOLT, FLANGE 6 X 14 (PRE COATING)	3
* DISC B CLUTCH FRICTION	--	4	22100-AAG-000	OUTER, COMP. CLUTCH	1
(ONE OR ALL)	--	5	22115-KPG-T00	GUIDE, CLUTCH OUTER	1
(INC RELATIVE PART)	--	6	22116-KPG-T00	COLLAR, CLUTCH OUTER	1
* PLATE, CLUTCH PRESSURE	--	7	22120-KTC-900	CENTER, COMP. CLUTCH	1
* PLATE, CLUTCH LIFTER	--	8	22201-KPG-T00	DISC CLUTCH FRICTION	3
* SPRING CLUTCH (ONE OR ALL)	--	9	22205-KPG-T00	DISC B CLUTCH FRICTION	2
		10	22321-KE8-000	PLATE,CLUTCH	4
		11	22350-KPG-T00	PLATE, CLUTCH PRESSURE	1
		12	22361-KPG-T00	PLATE, CLUTCH LIFTER	1
		13	22401-KPH-900	SPRING, CLUTCH	6
		14	23123-KGH-900	GEAR C, PRIMARY DRIVE (YELLOW)	1
		15	23125-KTC-901	COLLAR, PRIMARY DRIVE	1
		16	90050-KPH-900	SPECIAL BOLT, FLANGE, 6 X 20	3
		17	90231-087-010	NUT, LOCK, 14 MM	1
		18	90231-KM7-700	NUT, LOCK, 14 MM	1
		19	90403-KPH-900	WASHER THRUST, 17 MM	1
		20	90432-086-000	WASHER `B LOCK	1
		21	90501-GBL-730	WASHER ,14 MM	1
		22	91301-KTC-900	O-RING 49.5 X 1.7	1
		23	96100-62000-00	BRG.BALL RADIAL	1

E-6A CLUTCH



Service Item	F.R.T.	Group Number: E-6A Model :: Dawn 125 (Feb, 2016)		
Ref No.	Part Number	Description	Req.	
1	15431-KTC-901	ROTOR, OIL FILTER	1	
2	15441-KTC-900	COVER, OIL FILTER	1	
3	15441-KTC-900A	BOLT, FLANGE 6 X 14 (PRE COATING)	3	
4	22100-AAG-501	OUTER COMP CLUTCH	1	
5	22115-KPG-T00	GUIDE, CLUTCH OUTER	1	
6	22116-KPG-T00	COLLAR, CLUTCH OUTER	1	
7	22121-AAG-501	CENTER CLUTCH	1	
8	22205-AAG-501	DISK B CLUTCH FRICTION	3	
9	22201-AAG-501	DISK A CLUTCH FRICTION	2	
10	22321-AAG-501	PLATE, CLUTCH	4	
11	22350-AAG-501	PLATE CLUTCH PRESSURE	1	
12	22361-AAG-501	PLATE CLUTCH LIFTER	1	
13	22401-AAG-501	SPRING CLUTCH	6	
14	23123-KGH-900	GEAR C, PRIMARY DRIVE (YELLOW)	1	
15	23125-KTC-901	COLLAR, PRIMARY DRIVE	1	
16	90050-KFL-850	SPECIAL BOLT FLANGE 6 X 25	3	
17	90231-087-010	NUT, LOCK, 14 MM	1	
18	90231-KM7-700	NUT, LOCK, 14 MM	1	
19	90403-AAG-501	WASHER THRUST	1	
20	90432-086-000	WASHER `B LOCK	1	
21	90501-GBL-730	WASHER ,14 MM	1	
22	91301-KTC-900	O-RING 49.5 X 1.7	1	
23	96100-62000-00	BRG.BALL RADIAL	1	

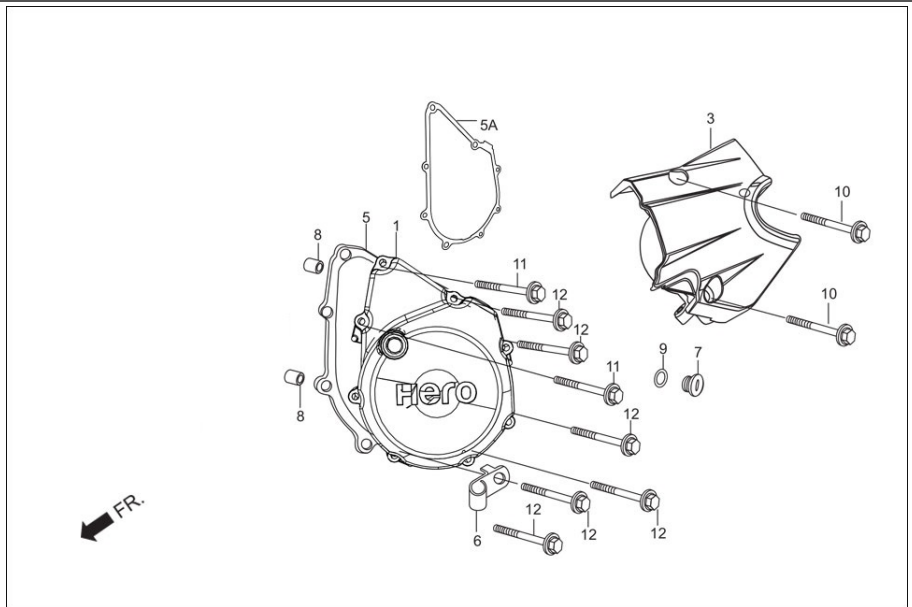
E-7-KICK
LEFT CRANK CASE COVER



Service Item	F.R.T.
* COVER LEFT CRANK CASE	0.9
* COVER COMP L REAR	0.1
* GASKET L CRANK CASE COVER	0.6

Group Number: E-7-KICK Model :: Dawn 125 (Feb, 2016)				
Ref No.	Part Number	Description	Req.	
2	11341-AAG-410	COVER, LEFT CRANK CASE	1	
3	11360-KTR-H00	COVER COMP L REAR	1	
4	11395-KTC-901	GASKET, L CRANK CASE COVER	1	
5A	11395-AAG-101	GASKET L CRANK CASE COVER	1	
6	16236-KTC-900	CLAMPER, OVER FLOW TUBE	1	
7	90084-KTC-A20	CAP, 14 MM	1	
8	90702-GB6-910	PIN, DOWEL,8 X 12	2	
9	91303-377-000	O-RING, 13.8 X 2.5	1	
10	96001-06025-00	BOLT, FLANGE, SH. 6 X 25	2	
11	96001-06028-00	BOLT, FLANGE, SH. 6X28	1	
12	96001-06035-00	BOLT, FLANGE, SH. 6 X 35	6	

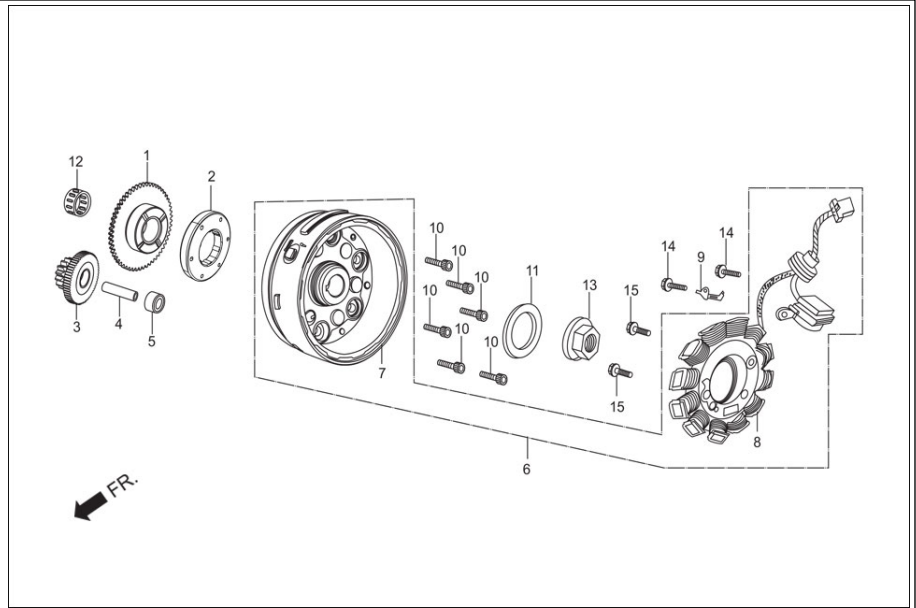
E-7-SELF
LEFT CRANK CASE COVER



Service Item	F.R.T.
* COVER LEFT CRANK CASE	0.9
* COVER COMP L REAR	0.1
* GASKET L CRANK CASE COVER	0.6

Group Number: E-7-SELF Model :: Dawn 125 (Feb, 2016)			
Ref No.	Part Number	Description	Req.
1	11341-AAG-400	COVER, LEFT CRANK CASE	1
3	11360-KTR-H00	COVER COMP L REAR	1
5	11395-KPH-901	GASKET, L CRANK CASE COVER	1
5A	11395-AAG-101	GASKET L CRANK CASE COVER	1
6	16236-KTC-900	CLAMPER, OVER FLOW TUBE	1
7	90084-KTC-A20	CAP, 14 MM	1
8	90702-GB6-910	PIN, DOWEL,8 X 12	2
9	91303-377-000	O-RING, 13.8 X 2.5	1
10	96001-06025-00	BOLT, FLANGE, SH. 6 X 25	2
11	96001-06028-00	BOLT, FLANGE, SH. 6X28	2
12	96001-06035-00	BOLT, FLANGE, SH. 6 X 35	6

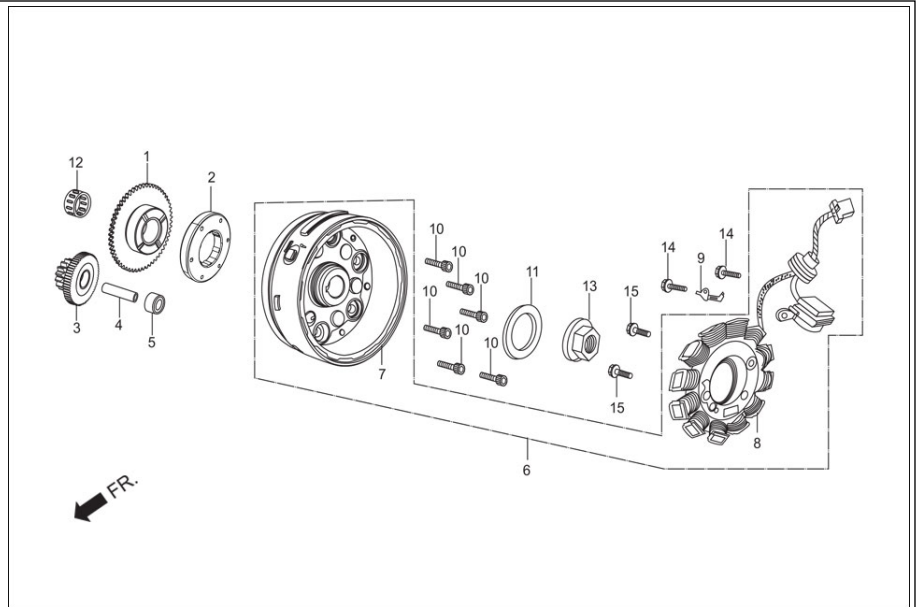
E-7A-KICK
A.C.GEN. ASSY. / STARTING CLUTCH
(SELF START)



Service Item	F.R.T.
* GEAR COMP. STARTER DRIVEN	--
* OUTER COMP.STARTING CLUTCH	0.7
* A.C.GEN.ASSY.,	0.9
* FLYWHEEL, COMP.,	--
* STATOR, COMP.,	--

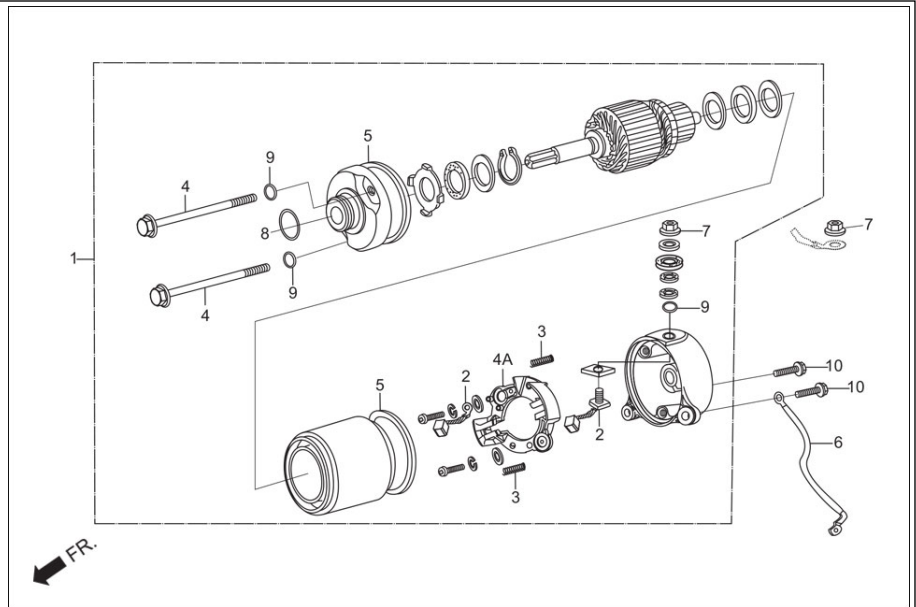
Group Number: E-7A-KICK Model :: Dawn 125 (Feb, 2016)				
Ref No.	Part Number	Description	Req.	
1	28110-KTC-921	GEAR COMP., STARTER DRIVEN	1	
2	28120-KTR-A00A	ASSY. ONEWAY CLUTCH	1	
3	28131-KTC-920	GEAR, STARTER REDUCTION (17T)	1	
4	28132-KPH-900	SHAFT, REDUCTION GEAR	1	
5	28133-KPH-900	COLLAR, STARTER REDUCTION	1	
6	31100-AAG-401	AC GEN ASSY(KICK)	1	
7	31110-AAG-401	FLYWHEEL COMP	1	
8	31120-KTR-A01	STATOR COMP.,	1	
9	32961-KPH-900	CLAMPER, ACG CORD	1	
10	90085-KTC-920	BOLT, SOCKET, 6 X 14	6	
11	90439-SB2-010	WASHER, 24 X 12 X 2.3	1	
12	91071-KTC-900	BEARING NEEDLE, 21 X 25 X 18	1	
13	94050-12000	NUT, FLANGE, 12 MM	1	
14	96001-06016-00	BOLT, FLANGE SH. 6 X 16	2	
15	96001-06022-00	BOLT, FLANGE, SH. 6 X 22	2	

E-7A-SELF
A.C.GEN. ASSY. / STARTING CLUTCH
(SELF START)



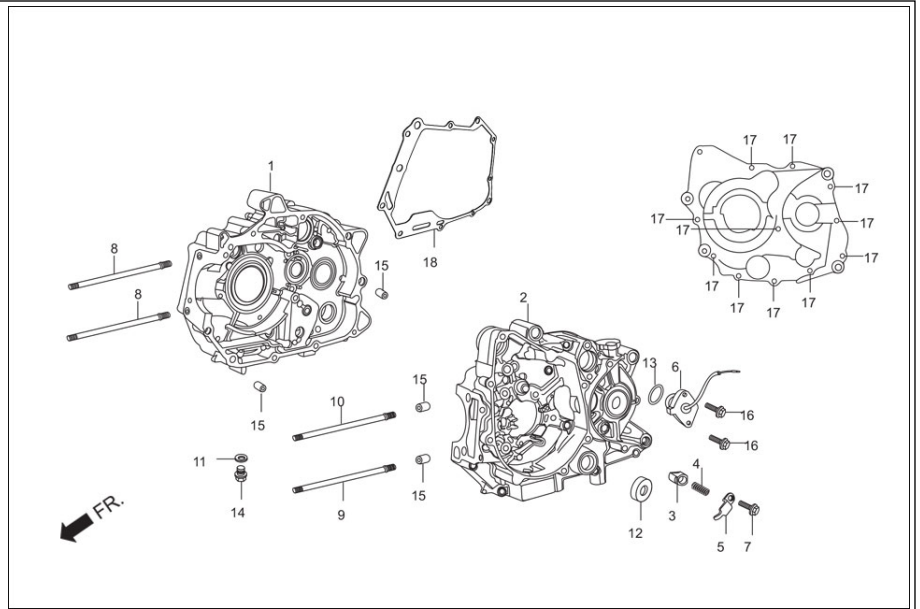
Service Item	F.R.T.	Group Number: E-7A-SELF Model :: Dawn 125 (Feb, 2016)			
		Ref No.	Part Number	Description	Req.
* GEAR COMP. STARTER DRIVEN	--	1	28110-KTC-921	GEAR COMP., STARTER DRIVEN	1
* OUTER COMP.STARTING CLUTCH	0.7	2	28120-KTR-A00A	ASSY. ONEWAY CLUTCH	1
* A.C.GEN.ASSY.,	0.9	3	28131-KTC-920	GEAR, STARTER REDUCTION (17T)	1
* FLYWHEEL, COMP.,	--	4	28132-KPH-900	SHAFT, REDUCTION GEAR	1
* STATOR, COMP.,	--	5	28133-KPH-900	COLLAR, STARTER REDUCTION	1
		6	31100-AAN-201	AC GENERATOR ASSY.	1
		7	31110-AAN-201	FLYWHEEL COMP.	1
		8	31120-KTR-A01	STATOR COMP.,	1
		9	32961-KPH-900	CLAMPER, ACG CORD	1
		10	90085-KTC-920	BOLT, SOCKET, 6 X 14	6
		11	90439-SB2-010	WASHER, 24 X 12 X 2.3	1
		12	91071-KTC-900	BEARING NEEDLE, 21 X 25 X 18	1
		13	94050-12000	NUT, FLANGE, 12 MM	1
		14	96001-06016-00	BOLT, FLANGE SH. 6 X 16	2
		15	96001-06022-00	BOLT, FLANGE, SH. 6 X 22	2

E-7B
STARTER MOTOR (SELF START)



Service Item	F.R.T.	Group Number: E-7B Model :: Dawn 125 (Feb, 2016)			
		Ref No.	Part Number	Description	Req.
*A. C. GEN. ASSY.	0.9	1	31200-KTC-921	MOTOR ASSY., STARTER	1
* FLY WHEEL COMP.	--	2	31201-KPT-A01	BRUSH, TERMINAL SET	1
* STATOR, COMP.,	--	3	31204-KG8-004	BRUSH, SPRING	2
		4	31205-KTC-921	BOLT, SET	2
		5	31206-KPH-881	BRUSH, HOLDER SET	1
		6	31207-MBE-008	RING	2
		7	32601-KTR-A00	CABLE, BATTERY EARTH	1
		8	90071-MB0-000	NUT, WASHER, 6 MM	2
		9	91309-425-003	O RING 24.4X3.1	1
		10	91320-MB0-000	O RING	3
		11	95701-06025-00	BOLT, FLANGE, 6X 25	2

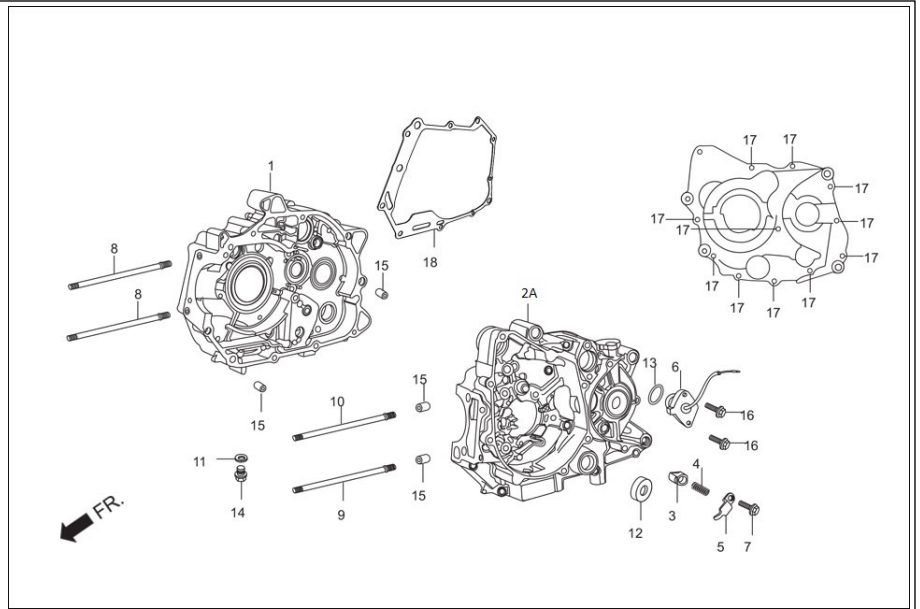
E-8-KICK CRANK CASE



Service Item	F.R.T.
* CRANK CASE COMP, 'R'	*4.2
* CRANK CASE COMP, 'L'	*4.8
* BOLT, CYLINDER STUD	1.3
(ADD 01 FOR EACH)	--

Group Number: E-8-KICK Model :: Dawn 125 (Feb, 2016)				
Ref No.	Part Number	Description	Req.	
1	11100-AAG-400	CRANK CASE COMP. RIGHT	1	
2	11200-AAG-410	CRANK CASE COMP. LEFT	1	
3	11215-KTC-901	PLUG, BRG. PUSH	1	
4	11216-KTC-901	SPRING, BRG. PUSH	1	
5	11217-KTC-901	PLATE, BRG. PUSH	1	
6	35759-KTR-A01	CONTACT ASSY., CHANGE SWITCH	1	
7	90001-KTC-900	BOLT, FLANGE, SH. 6 X 16	1	
8	90031-KTC-900	BOLT STUD, CYL	2	
9	90032-KTC-900	BOLT STUD, CYL	1	
10	90033-KTC-900	BOLT STUD, CYL	1	
11	90407-259-000	DRAIN COCK PACKING	1	
12	91208-KPH-901	OIL SEAL, 11.6 X 24 X 10	1	
13	91305-KPH-900	O-RING,19.4 X 2.3	1	
14	92800-12000-00	DRAIN PLUG BOLT	1	
15	94301-10120	DOWEL PIN, 10X12	4	
16	95701-06016-00	BOLT, FLANGE, 6X16	2	
17	96001-06060-00	BOLT, FLANGE, SH. 6 X 60	11	
18	11394-AAG-101	GASKET R CRANK CASE COVER	1	

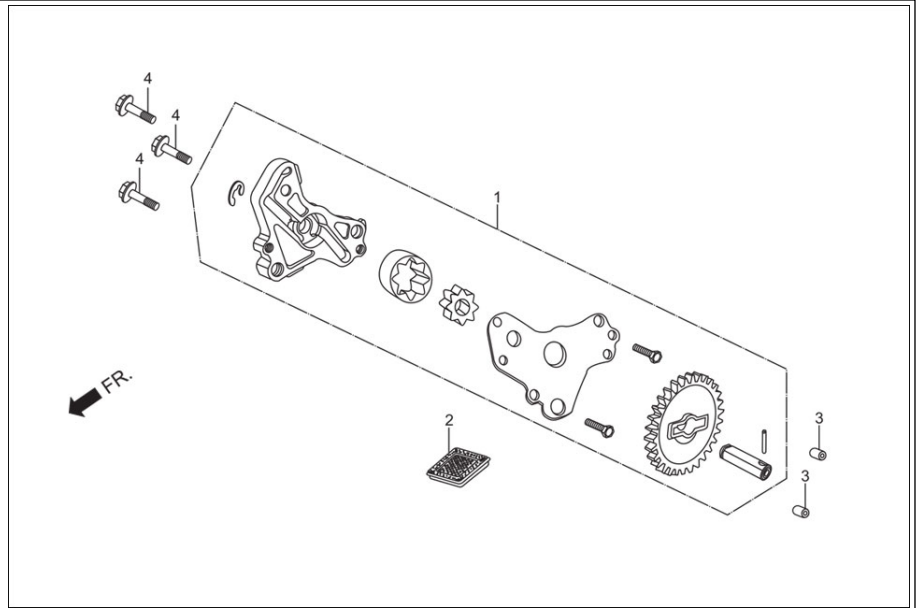
E-8-SELF CRANK CASE



Service Item	F.R.T.
* CRANK CASE COMP, 'R'	*4.2
* CRANK CASE COMP, 'L'	*4.8
* BOLT, CYLINDER STUD	1.3
(ADD 01 FOR EACH)	--

Group Number: E-8-SELF Model :: Dawn 125 (Feb, 2016)				
Ref No.	Part Number	Description	Req.	
1	11100-AAG-400	CRANK CASE COMP. RIGHT	1	
2A	11200-KTR-H90	CRANK CASE COMP. LEFT	1	
3	11215-KTC-901	PLUG, BRG. PUSH	1	
4	11216-KTC-901	SPRING, BRG. PUSH	1	
5	11217-KTC-901	PLATE, BRG. PUSH	1	
6	35759-KTR-A01	CONTACT ASSY., CHANGE SWITCH	1	
7	90001-KTC-900	BOLT, FLANGE, SH. 6 X 16	1	
8	90031-KTC-900	BOLT STUD, CYL	2	
9	90032-KTC-900	BOLT STUD, CYL	1	
10	90033-KTC-900	BOLT STUD, CYL	1	
11	90407-259-000	DRAIN COCK PACKING	1	
12	91208-KPH-901	OIL SEAL, 11.6 X 24 X 10	1	
13	91305-KPH-900	O-RING,19.4 X 2.3	1	
14	92800-12000-00	DRAIN PLUG BOLT	1	
15	94301-10120	DOWEL PIN, 10X12	4	
16	95701-06016-00	BOLT, FLANGE, 6X16	2	
17	96001-06060-00	BOLT, FLANGE, SH. 6 X 60	11	
18	11394-AAG-101	GASKET R CRANK CASE COVER	1	

E-8A OIL PUMP

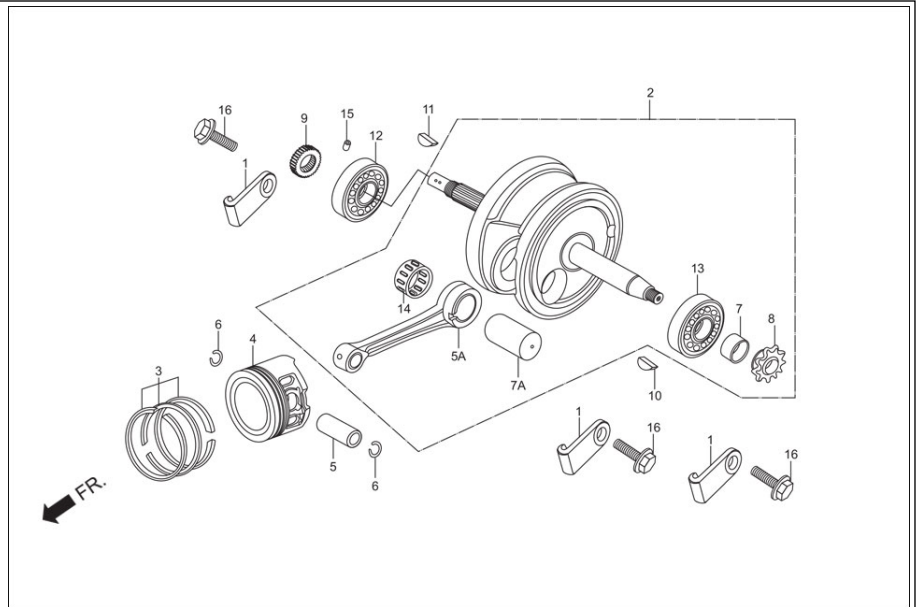


Service Item	F.R.T.
* PUMP ASSY., OIL	--
* SCREEN, OIL FILTER	--

Group Number: E-8A Model :: Dawn 125 (Feb, 2016)

Ref No.	Part Number	Description	Req.
1	15100-KTC-900	OIL PUMP ASSY.	1
2	15421-035-010	SCREEN, OIL FILTER	1
3	90702-GB6-910	PIN, DOWEL,8 X 12	2
4	95701-06035-00	BOLT, FLANGE, 6X35	3

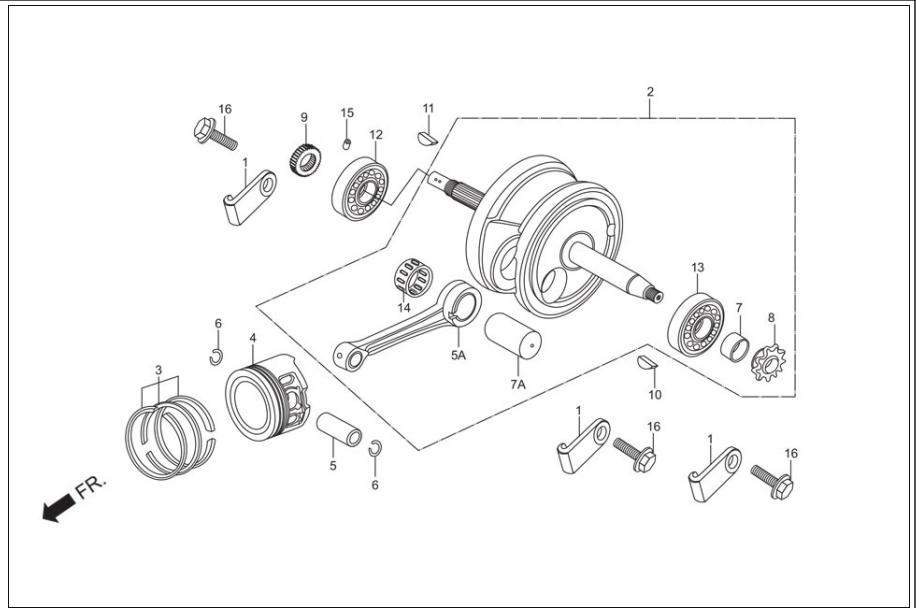
E-9
CRANK SHAFT/PISTON



Service Item	F.R.T.
* CRANK SHAFT COMP,	4.0
* RING SET, PISTON	1.3
* PISTON	--
* PIN, PISTON	1.2
* ROD, CONNECTING (ACTUAL TIME)	--
* BEARING BALL RADIAL 6203	4.2
(ADD 02 FOR EACH)	--

Group Number: E-9 Model :: Dawn 125 (Feb, 2016)				
Ref No.	Part Number	Description	Req.	
1	11208-KTC-900	PLATE, BEARING SET	3	
2	13000-AAG-100	CRANK SHAFT COMP	1	
3	13011-KTC-305	RING SET, PISTON (STD)	1	
	13021-KTC-305	RING SET, PISTON (O.S 0.25)	1	
	13031-KTC-305	RING SET, PISTON (O.S 0.50)	1	
	13041-KTC-305	RING SET, PISTON (O.S 0.75)	1	
	13051-KTC-305	RING SET, PISTON (O.S 1.00)	1	
4	13101-KTC-900	PISTON	1	
	13102-KTC-305	PISTON (O.S. 0.25)	1	
	13103-KTC-305	PISTON (O.S. 0.50)	1	
	13104-KTC-305	PISTON (O.S. 0.75)	1	
	13105-KTC-305	PISTON (O.S. 1.00)	1	
5	13111-087-000	PIN, PISTON	1	
5A	13201-KFL-850	ROD, CONNECTING	1	
6	13115-001-000	CLIP, PISTON PIN	2	
7	13322-KTC-900	COLLAR, CRANK SHAFT LEFT	1	
7A	13381-KPH-900	PIN, CRANK	1	
8	14311-KPH-900	SPROCKET, TIMING	1	
9	15341-KTC-900	GEAR, OIL PUMP DRIVE, (19T)	1	
10	90741-KFB-000	KEY,WOODRUFF,4 MM	1	
11	90741-KGH-900	KEY, WOODRUFF, 4 MM	1	
12	91001-KTC-900	BRG. ROLLER, 22 X 58 X 17	1	
13	91002-KTC-901	BRG. BALL RADIAL, 63/22 SPL	1	
14	91101-AAC-H40	BEARING, CONNECTING ROD(RED)	1	
	91102-AAC-H40	BEARING, CONNECTING ROD(BLUE)	1	
	91103-AAC-H40	BEARING, CONNECTING ROD(WHITE)	1	
15	94303-03050	DOWEL PIN 3 X 5	1	
16	95701-06016-00	BOLT, FLANGE, 6X16	3	

E-9
CRANK SHAFT/PISTON

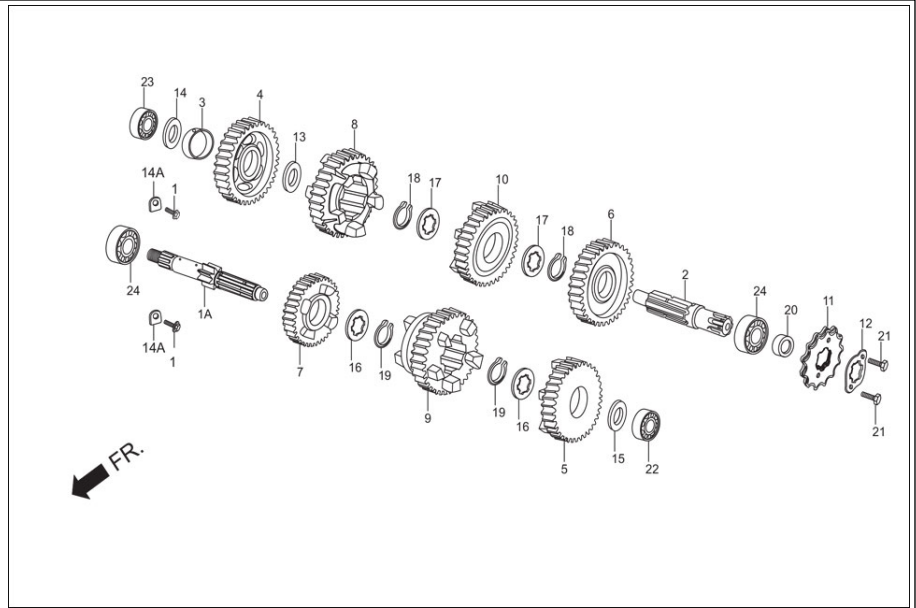


Service Item	F.R.T.
* CRANK SHAFT COMP,	4.0
* RING SET, PISTON	1.3
* PISTON	--
* PIN, PISTON	1.2
* ROD, CONNECTING (ACTUAL TIME)	--
* BEARING BALL RADIAL 6203	4.2
(ADD 02 FOR EACH)	--

Group Number: E-9 Model :: Dawn 125 (Feb, 2016)

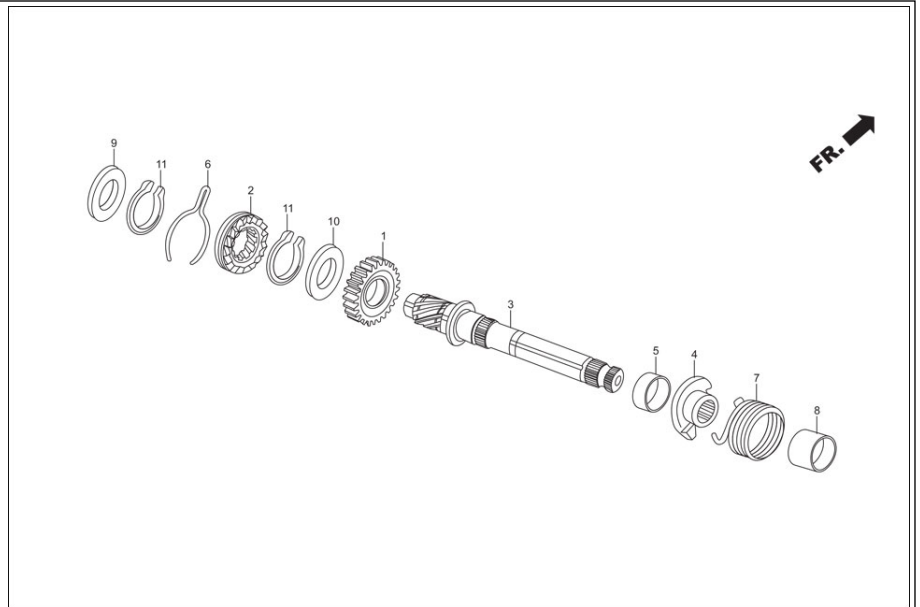
SELECTION TABLE OF CONNECTING ROD BIG END BEARING						
Connecting rod code	Crank Pin CODE (Color)	1	2	3	4	5
		(Green)	(Yellow)	(White)	(Blue)	(Brown)
B	91101-GF6-000 (Red)					
A	91102-GF6-000 (Blue)					
C		91101-GF6-000 (Red)				
A		91102-GF6-000 (Blue)				
D			91101-GF6-000 (Red)			
B			91102-GF6-000 (Blue)			
A			91103-GF6-000 (White)			
E				91101-GF6-000 (Red)		
C				91102-GF6-000 (Blue)		
A				91103-GF6-000 (White)		
F					91101-GF6-000 (Red)	
D					91102-GF6-000 (Blue)	
B					91103-GF6-000 (White)	

E-10 TRANSMISSION



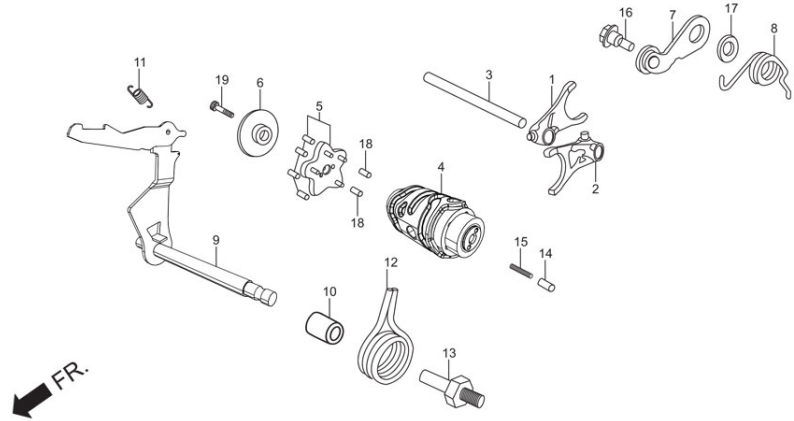
Service Item	F.R.T.	Group Number: E-10 Model :: Dawn 125 (Feb, 2016)			
		Ref No.	Part Number	Description	Req.
* MAIN SHAFT (INC. RELATIVE PART)	*4.0 --	1	15441-KTC-900A	BOLT, FLANGE 6 X 14 (PRE COATING)	2
* COUNTER SHAFT (INC. RELATIVE PART)	-- --	1A 2	23211-KTR-940 23221-KTR-940	SHAFT, MAIN, 13T SHAFT, COUNTER	1 1
(WHEN SERVICING COMP., UNIT)	--	3	23415-KPH-900	BUSH, 15 MM	1
* SPROCKET, DRIVE	0.2	4	23421-KTC-900	GEAR, C-1 36T	1
		5	23431-KPH-900	GEAR M-2 20T	1
		6	23441-KTC-901	GEAR, C-2 30T	1
		7	23451-KTC-901	GEAR, M3 21T	1
		8	23461-KTC-901	GEAR, C-3 23T	1
		9	23471-KTC-902	GEAR, M-4 23T	1
		10	23481-KTC-902	GEAR, C-2 21T	1
		11	23801-GF6-000	SPROCKET, DRIVE (14T)	1
		12	23802-GN5-910	PLATE FIXING	1
		13	90412-187-000	WASHER THRUST	1
		14	90412-KPH-900	WASHER SPL., 12 X 23	1
		14A	90441-KA4-700	PLATE, BRG. HOLD	2
		15	90452-KGH-900	WASHER SPL. 12 MM	1
		16	90461-KTC-900	WASHER, SPLINE 17 MM	2
		17	90461-GB4-770	WASHER, SPLINE, 20 X 1.2	2
		18	90601-AAB-A00	CIRCLIP 17 MM	2
		19	90605-200-000	SET RING, 20MM	2
		20	91204-KPH-901	OIL SEAL, 17 X 30 X 5	1
		21	92101-06010-0A	BOLT, HEX., 6 X 10	2
		22	96100-60010-00	BEARING , RADIAL BALL , 6001	1
		23	96100-62010-00	BEARING, RADIAL BALL, 6201	1
		24	96100-62030-00	BEARING, RADIAL BALL, 6203	2

E-11
KICK STARTER



Service Item	F.R.T.	Group Number: E-11 Model :: Dawn 125 (Feb, 2016)			
* PINION, KICK STARTER	*3.7	Ref No.	Part Number	Description	Req.
* SPINDLE, KICK STARTER (INC. RELATIVE PART)	--	1	28211-KTC-900	PINION, KICK STARTER	1
* SPRING, KICK STARTER (INC. RELATIVE PART)	1.1	2	28221-KTC-900	RATCHET, STARTER DRIVE	1
	--	3	28251-KTC-900	SPINDLE, KICK STARTER	1
	--	4	28262-KTC-900	RETAINER, KICK SPRING	1
	--	5	28265-KPH-900	COLLAR, KICK RETAINER	1
	--	6	28271-KPH-900	SPRING, FRICTION, STARTER PINION	1
	--	7	28281-KPH-900	SPRING, KICK RETURN	1
	--	8	28282-KPH-900	COLLAR, KICK SPRING	1
	--	9	90452-KPH-900	WASHER THRUST, 15.5 MM	1
	--	10	90454-KPH-900	WASHER, 25 X 20.2 X 1	1
	--	11	90605-200-000	SET RING, 20MM	2

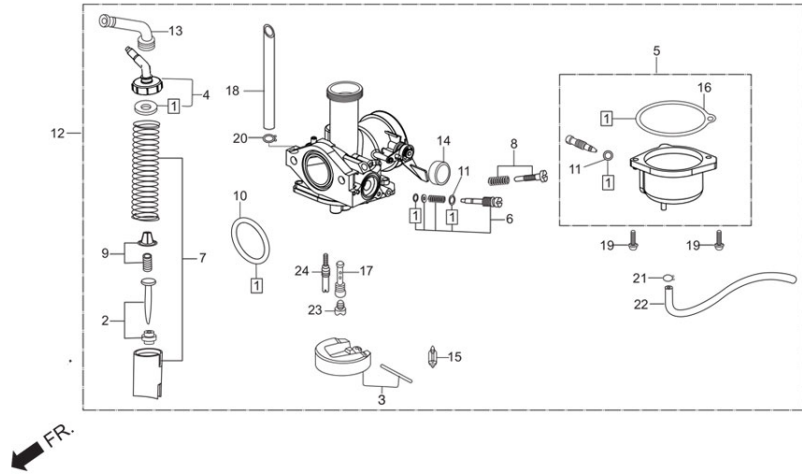
E-12
GEAR SHIFT



Service Item	F.R.T.	Group Number: E-12 Model :: Dawn 125 (Feb, 2016)			
		Ref No.	Part Number	Description	Req.
* FORK, GEAR SHIFT (ONE OR ALL)	*3.8 --	1	24211-KTC-900	FORK R GEAR SHIFT	1
* DRUM, GEAR SHIFT	--	2	24212-KTC-900	FORK, L GEAR SHIFT	1
* PLATE, SHIFT DRUM STOPPER	--	3	24241-KPH-900	SHAFT, GEAR SHIFT FORK	1
* ARM COMP., SHIFT DRUM STOPPER (INC. RELATIVE PART)	--	4	24301-AAN-C00	DRUM, GEAR SHIFT	1
* SPINDLE COMP., GEARSHIFT (INC. RELATIVE PART)	1.2 --	5	24410-KTC-900	PLATE COMP., SHIFT DRUM STOPPER	1
* CONTACT ASSY., NEUTRAL SWITCH	-- 0.2	6	24421-KTC-900	HOLDER, DRUM STOPPER	1
		7	24430-KPH-901	STOPR. COMP., GEAR SHIFT DRUM	1
		8	24435-KTC-900	SPRING, SHIFT DRUM STOPPER	1
		9	24610-AAN-C00	SPINDLE COMP., GEAR SHIFT	1
		10	24639-KPG-T00	COLLAR, 12.2 MM	1
		11	24641-KTC-900	SPRING, GEAR SHIFT ARM	1
		12	24651-KTC-900	SPRING, GEAR SHIFT, RETURN	1
		13	24652-KPH-900	PIN, SHIFT RETURN SPRING	1
		14	35751-KPH-900	CAP, CONTACT CHANGE SW.	1
		15	35752-KRM-840	SPRING, CONN. CHANGE SW.	1
		16	90022-MG8-000	PIVOT, SHIFT DRUM STOPR. ARM	1
		17	90435-HB3-000	WASHER, 6.1 MM	1
		18	96220-30085	ROLLER, 3 X 8.5	2
		19	96700-06018-00	SOCKET, BOLT, 6 X 18	1

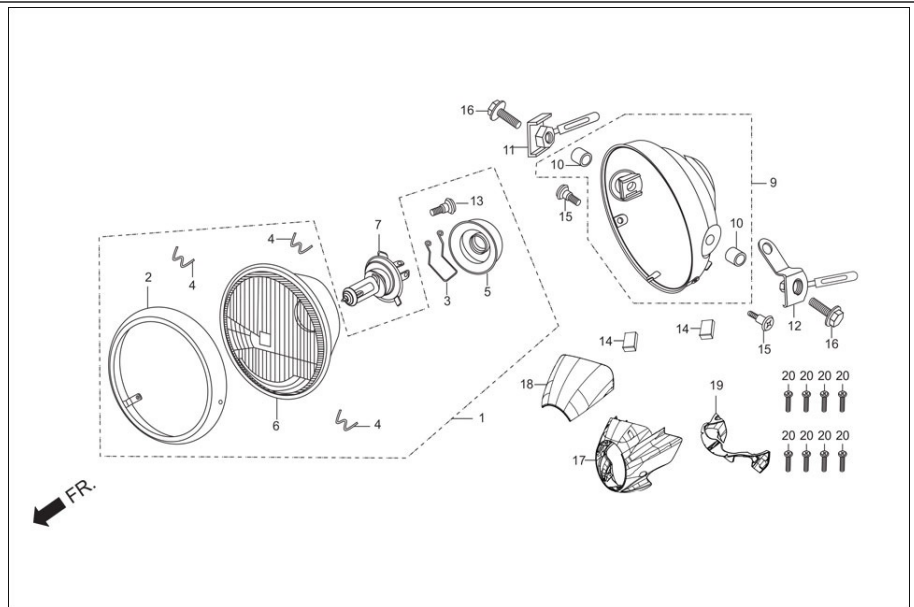
E-13

CARBURETTOR



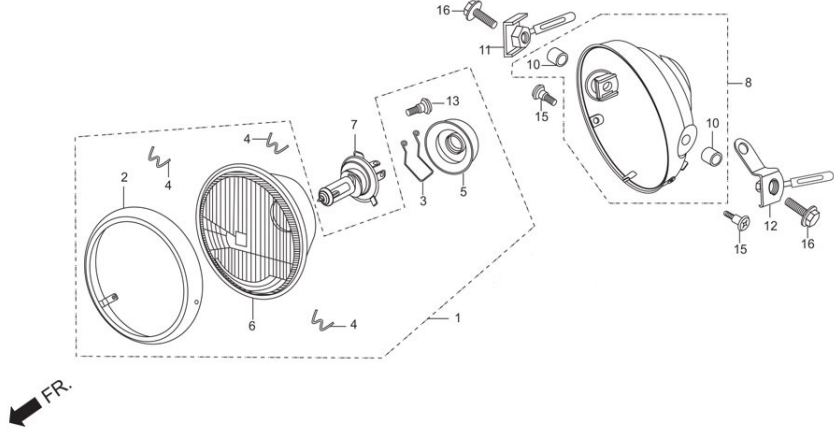
Service Item	F.R.T.	Group Number: E-13 Model :: Dawn 125 (Feb, 2016)			
		Ref No.	Part Number	Description	Req.
* NEEDLE SET, JET	0.5	1	16010-KWS-901	GASKET SET	1
* CARBURETTOR ASSY	--	2	16012-KTC-A21	NEEDLE, SET JET	1
* FLOAT SET	0.4	3	16013-KRB-901	FLOAT, SET	1
* TOP SET	0.2	4	16014-KTR-A01	TOP SET	1
* CHAMBER SET, FLOAT	--	5	16015-KTR-A01	CHAMBER SET, FLOAT	1
* VALVE SET, THROTTLE	0.3	6	16016-KPH-651	SCREW SET	1
		7	16022-KTR-A01	VALVE SET, THROTTLE	1
		8	16028-KTT-901	SCREW SET	1
		9	16037-KPH-901	PLATE SET, VALVE	1
		10	16075-KTC-901	O-RING	1
		11	16076-KPL-901	O-RING	2
		12	16100-AAG-001	CARBURETTOR ASSY.	1
		13	16118-KTR-A01	CAP, CABLE SEALING	1
		14	16148-KPL-901	CAP,CHOKE LEVER DUST	1
		15	16155-KRS-861	VALVE COMP., FLOAT	1
		16	16163-KWS-901	GASKET, FLOAT CHAMBER	1
		17	16165-KTR-A01	HOLDER, NEEDLE JET	1
		18	16199-KCP-J01	TUBE,AIR VENT	1
		19	93892-04018-08L	SCREW, WASH. 4 X18	2
		20	95002-02089	CLIP, B1 8 TUBE	1
		21	95002-02659	CLIP, B-1, 6.5 TUBE	1
		22	95005-35310-50	TUBE, OVER FLOW	1
		23	99101-KTT-0980	JET MAIN #98	1
		24	99103-KTR-0350	JET, SLOW, # 35	1

F-1-WITH-VISOR
LIGHT ASSY. HEAD



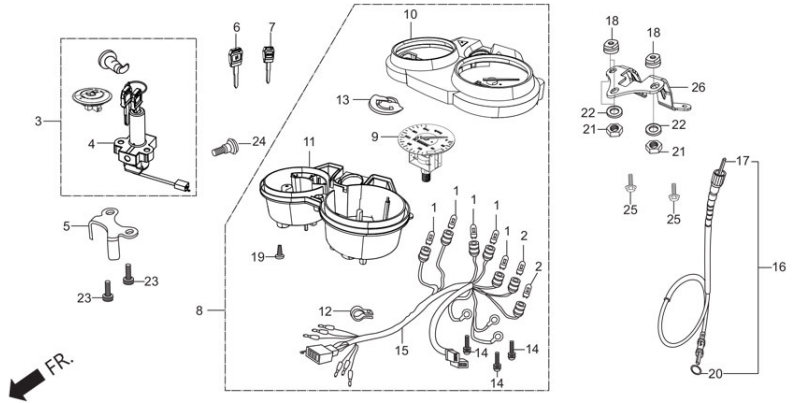
Service Item	F.R.T.	Group Number: F-1-WITH-VISOR Model :: Dawn 125 (Feb, 2016)			
		Ref No.	Part Number	Description	Req.
* LIGHT ASSY., HEAD	0.1	1	3310B-AAJ-H02	LIGHT ASSY., HEAD (W/O BULB)	1
* UNIT HEADLIGHT (INC. RELATIVE PART)	--	2	33101-KTN-921	RIM COMP., HEAD LIGHT	1
* BULB, HEADLIGHT	--	3	33108-KRY-900	SPRING, SPC(BULB HOLDER)	1
* SOCKET ASSY., HEADLIGHT	0.2	4	33108-KGA-900	SPRING, UNIT HOLDER	3
* STAY, COMP. FR. COWL	--	5	33112-KTN-921	SOCKET COVER	1
* STAY, FRONT WINKER	--	6	33120-AAJ-H02	UNIT, HEAD LIGHT	1
* PANEL, INNER	--	7	34901-KSP-910	BULB, HEAD LIGHT	1
* COWL, FRONT	--		34901-KSP-910	BULB, HEAD LIGHT	1
		9	6130A-AAM-300	CASE, COMP., HEADLIGHT	1
		10	61302-471-000	COLLAR, HRAD LIGHT CASE	2
		11	61303-198-D00	NUT, R HEAD LIGHT CASE	1
		12	61304-KST-940	NUT, L HEAD LIGHT CASE	1
		13	93901-04012-00	SCREW, TAPPING SPL., 4 X 12	1
		14	90810-KCC-910	RUBBER, STOPPER	2
		15	91508-KST-940	SCREW, PAN, 5 X 14	2
		16	95701-08020-02	BOLT, FLANGE, 8 X 20	2
		17	61301-AAG-400R	COWL FRONT (BLACK)	1
			61301-AAM-300S	COWL FRONT(CBR R-195C)	1
			61301-AAG-400U	COWL FRONT (VIBRANT BLUE M)	1
		18	64100-AAM-300	SET, WIND SCREEN	1
		19	83402-AAG-430	PANEL INNER	1
		20	93903-34380	SCREW, TAPPING, 4X12	8

F-1-WO-VISOR
LIGHT ASSY. HEAD



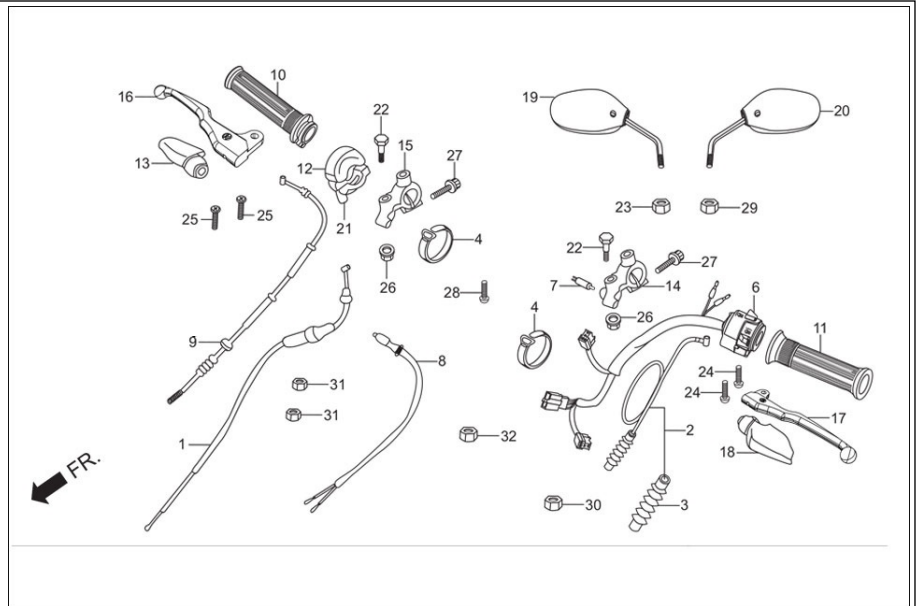
Service Item	F.R.T.	Group Number: F-1-WO-VISOR Model :: Dawn 125 (Feb, 2016)			
* LIGHT ASSY., HEAD	0.1	Ref No.	Part Number	Description	Req.
* UNIT HEADLIGHT (INC. RELATIVE PART)	--	1	3310B-AAJ-H02	LIGHT ASSY., HEAD (W/O BULB)	1
* BULB, HEADLIGHT	--	2	33101-KTN-921	RIM COMP., HEAD LIGHT	1
* SOCKET ASSY., HEADLIGHT	0.2	3	33108-KRY-900	SPRING, SPC(BULB HOLDER)	1
* STAY, COMP. FR. COWL	--	4	33108-KGA-900	SPRING, UNIT HOLDER	3
* STAY, FRONT WINKER	--	5	33112-KTN-921	SOCKET COVER	1
* PANEL, INNER	--	6	33120-AAJ-H02	UNIT, HEAD LIGHT	1
* COWL, FRONT	--	7	34901-KSP-910	BULB, HEAD LIGHT	1
			34901-KSP-910	BULB, HEAD LIGHT	1
		8	6130A-KST-940	CASE, COMP., HEADLIGHT	1
		10	61302-471-000	COLLAR, HRAD LIGHT CASE	2
		11	61303-198-D00	NUT, R HEAD LIGHT CASE	1
		12	61304-KST-940	NUT, L HEAD LIGHT CASE	1
		13	93901-04012-00	SCREW, TAPPING SPL., 4 X 12	1
		15	91508-KST-940	SCREW, PAN, 5 X 14	2
		16	95701-08020-02	BOLT, FLANGE, 8 X 20	2

F-2
SPEEDOMETER/CABLE/KEY SET



Service Item	F.R.T.	Group Number: F-2 Model :: Dawn 125 (Feb, 2016)			
		Ref No.	Part Number	Description	Req.
* KEY SET	1.1	1	34908-KVE-900	BULB, WEDGE BASE T10 (12V - 1.7 W)	5
* SWITCH ASSY, COMB & LOCK	0.4	2	34909-KVE-900	BULB, WEDGE BASE (12V - 3 W)	2
* METER ASSY, COMB	0.3	3	35010-AAG-400	KEY SET	1
* SPEEDOMETER COMP,	0.5	4	35100-AAG-001	SW. ASSY. COMB. & LOCK	1
* FUEL METER COMP,	--	5	35106-KTC-900	COVER, COMB. SWITCH	1
* CASE, UPPER ASSY,	--	6	35121-AAC-H30	KEY BLANK NO 1	1
* CASE, UNDER ASSY,	--	7	35122-AAC-H30	KEY BLANK NO 2	1
* SOCKET COMP,	--	8	37100-AAG-401	METER ASSY., COMB.,	1
* CABLE COMP, SPEEDOMETER	--	9	37210-KST-A21	SPEEDOMETER COMP.,	1
* CABLE, INNER	0.1	10	37610-KST-951	CASE UPPER ASSY	1
		11	37612-KCC-900	CASE, UNDER ASSY.	1
			37614-KCC-900	COVER, UNDER CASE	1
		12	37215-MB6-830	CLAMP	1
		13	37300-AAG-401	FUEL METER COMP.,	1
		14	90108-GN2-000	SCREW, WASH., 3 X 10	3
		15	37619-KST-951	SOCKET COMP.	1
		16	44830-AAJ-000	CABLE COMP. SPEEDOMETER	1
		17	44831-KST-940	CABLE, INNER	1
		18	80101-443-000	RUBBER, RR. FENDER CUSHION	3
		19	90032-KST-950	SCREW, TAPPING, 4 X 14	1
		20	91352-GAZ-930	O-RING 8.5X11.5	1
		21	94001-06070-0S	NUT, HEX., 6 MM	3
		22	94103-06700	WASHER, PLAIN, 6 MM	3
		23	96600-08025-00	SOCKET, BOLT, 8 X 25	2
		24	90035-KST-900	SCREW, WASH, 4 X 8	1
		25	96001-06018-07	BOLT FLANGE SH 6X18	2
		26	61311-AAG-400	STAY METER SET	1

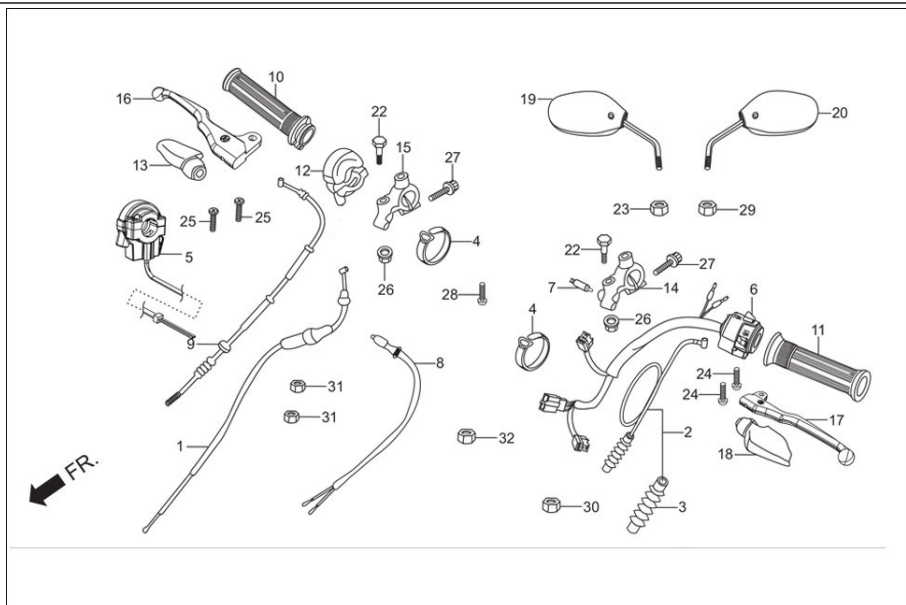
F-3-KICK
HANDLE LEVER/SWITCH/CONTROL
CABLE



Service Item	F.R.T.	Group Number: F-3-KICK Model :: Dawn 125 (Feb, 2016)			
		Ref No.	Part Number	Description	Req.
* CABLE COMP, THROTTLE	0.3	1	17910-KTR-A00	CABLE COMP, THROTTLE	1
* CABLE COMP, CLUTCH	0.2	2	22870-KTC-A00	CABLE COMP., CLUTCH	1
* SWITCH ASSY, WINKER	0.5	3	22871-116-670	BOOT, CLUTCH CABLE	1
* SWITCH ASSY, FR STOP	--	4	32161-404-000	BAND B-1,WIRE	2
* CABLE COMP, FR BRAKE	--	6	35200-KST-870	SWITCH ASSY., WINKER	1
* GRIP COMP, 'R' HANDLE	0.6		35200-KST-950	SW. ASSY. WINKER	1
* GRIP 'L' HANDLE	0.6	7	35330-413-003	SW. COMP., FR. LEVER	1
* HOUSING UPPER, THROTTLE	--	8	35340-KTC-A21	SWITCH ASSY., FR. STOP	1
* HOUSING UNDER, THROTTLE	--	9	45450-KTR-A20	CABLE COMP., FR. BRAKE	1
* BRACKET 'R' HANDLE LEVER	--	10	53140-KTC-900	GRIP COMP. , R HANDLE	1
* BRACKET 'L' HANDLE LEVER	--	11	53166-KTC-900	GRIP L HANDLE	1
* COVER 'R' HANDLE LEVER	--	12	53168-166-000	HOUSING UPPER, THROTTLE	1
* COVER 'L' HANDLE LEVER	--	13	53171-KCC-900	COVER R HANDLE LEVER	1
		14	53172-KTC-920	BRACKET, L HANDLE LEVER	1
			53172-KTC-900	BRACKET, L HANDLE LEVER	1
		15	53173-AAH-000	BRACKET R. HANDLE LEVER	1
		16	53175-AAF-H00	LEVER COMP.R STRG.HNDL.	1
		17	53178-AAF-H00	LEVER COMP.L STRG.HNDL.	1
		18	53179-KTC-900	COVER L HANDLE LEVER	1
		19	88110-AAJ-500	MIRROR ASSY., R. BACK	1
		20	88120-AAJ-500	MIRROR ASSY., L. BACK	1
		21	53167-GE4-000	HOUSING UNDER,THROTTLE	1
		22	90114-310-000	BOLT, HANDLE LEVER PIVOT	2
		23	90201-KST-900	NUT HEX., 10MM	1
		24	93500-05020-0G	SCREW, PAN, 5 X 20	2
		25	93500-05022-1G	SCREW, PAN, 5 X 22	2
		26	94050-06000	NUT, FLANGE, 6 MM	2
		27	96001-06025-07	BOLT, FLANGE, SH. 6 X 25	2

28	93901-32220	SCREW TAPPING 3X10	1
29	94001-10070-0S	NUT, HEX., 10 MM	1
30	94002-10070-0S	NUT, HEX., 10MM	1
31	94001-05070-0S	NUT HEX. 5MM	2
32	94002-08000-0S	NUT HEX.8 MM	1

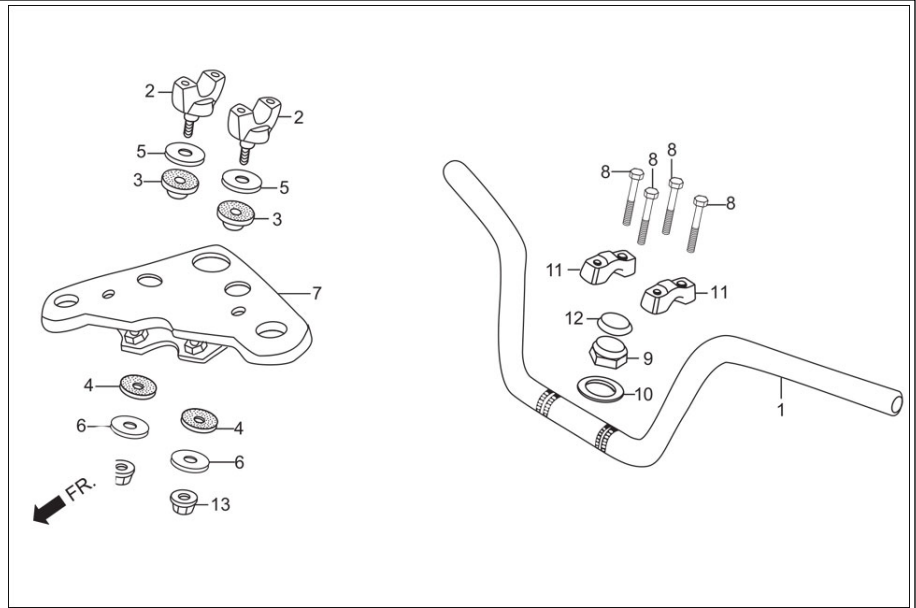
F-3-SELF
HANDLE LEVER/SWITCH/CONTROL
CABLE



Service Item	F.R.T.	Group Number: F-3-SELF Model :: Dawn 125 (Feb, 2016)			
		Ref No.	Part Number	Description	Req.
* CABLE COMP, THROTTLE	0.3	1	17910-KTR-A00	CABLE COMP, THROTTLE	1
* CABLE COMP, CLUTCH	0.2	2	22870-KTC-A00	CABLE COMP., CLUTCH	1
* SWITCH ASSY, WINKER	0.5	3	22871-116-670	BOOT, CLUTCH CABLE	1
* SWITCH ASSY, FR STOP	--	4	32161-404-000	BAND B-1,WIRE	2
* CABLE COMP, FR BRAKE	--	5	35150-AAG-H20	SW ASSY START	1
* GRIP COMP, 'R' HANDLE	0.6	6	35200-KST-870	SWITCH ASSY., WINKER	1
* GRIP 'L' HANDLE	0.6		35200-KST-950	SW. ASSY. WINKER	1
* HOUSING UPPER, THROTTLE	--	7	35330-413-003	SW. COMP., FR. LEVER	1
* HOUSING UNDER, THROTTLE	--	8	35340-KTC-A21	SWITCH ASSY., FR. STOP	1
* BRACKET 'R' HANDLE LEVER	--	9	45450-KTR-A20	CABLE COMP., FR. BRAKE	1
* BRACKET 'L' HANDLE LEVER	--	10	53140-KTC-900	GRIP COMP. , R HANDLE	1
* COVER 'R' HANDLE LEVER	--	11	53166-KTC-900	GRIP L HANDLE	1
* COVER 'L' HANDLE LEVER	--	12	53168-166-000	HOUSING UPPER, THROTTLE	1
		13	53171-KCC-900	COVER R HANDLE LEVER	1
		14	53172-KTC-920	BRACKET, L HANDLE LEVER	1
			53172-KTC-900	BRACKET, L HANDLE LEVER	1
		15	53173-AAH-000	BRACKET R. HANDLE LEVER	1
		16	53175-AAF-H00	LEVER COMP.R STRG.HNDL.	1
		17	53178-AAF-H00	LEVER COMP.L STRG.HNDL.	1
		18	53179-KTC-900	COVER L HANDLE LEVER	1
		19	88110-AAJ-500	MIRROR ASSY., R. BACK	1
		20	88120-AAJ-500	MIRROR ASSY., L. BACK	1
		22	90114-310-000	BOLT, HANDLE LEVER PIVOT	1
		23	90201-KST-900	NUT HEX., 10MM	1
		24	93500-05020-0G	SCREW, PAN, 5 X 20	2
		25	93500-05022-1G	SCREW, PAN, 5 X 22	2
		26	94050-06000	NUT, FLANGE, 6 MM	2
		27	96001-06025-07	BOLT, FLANGE, SH. 6 X 25	2

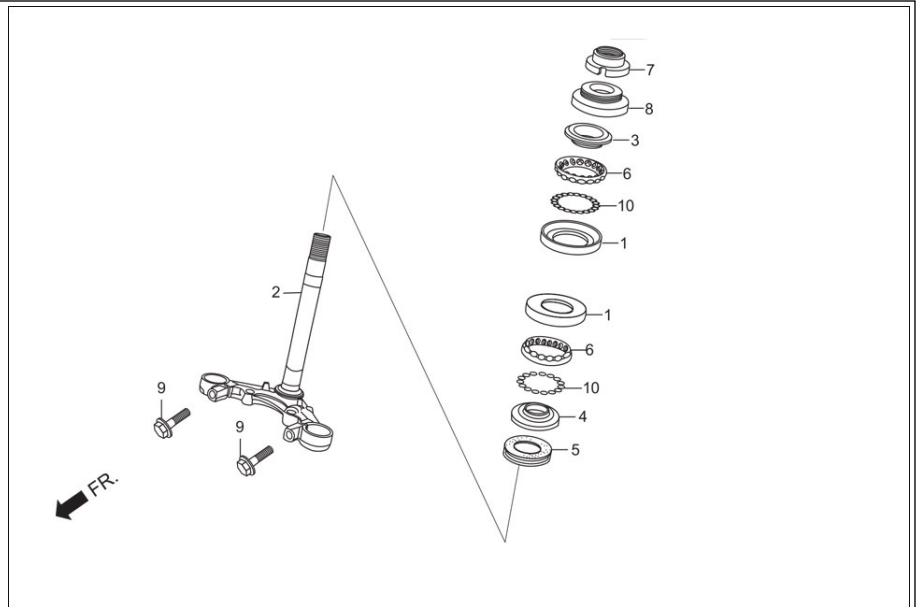
28	93901-32220	SCREW TAPPING 3X10	1
29	94001-10070-0S	NUT, HEX., 10 MM	1
30	94002-10070-0S	NUT, HEX., 10MM	1
31	94001-05070-0S	NUT HEX. 5MM	2
32	94002-08000-0S	NUT HEX.8 MM	1

F-4
HANDLE PIPE/TOP BRIDGE



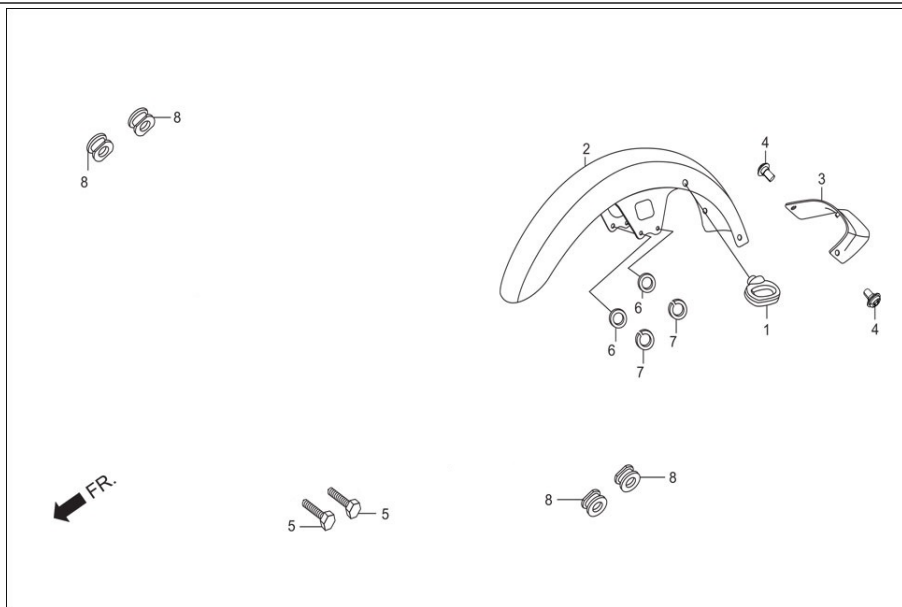
Service Item	F.R.T.	Group Number: F-4 Model :: Dawn 125 (Feb, 2016)			
		Ref No.	Part Number	Description	Req.
* PIPE, STEERING HANDLE	0.5	1	53100-KTC-900	PIPE, STEERING HANDLE	1
* BRIDGE COMP, FORK TOP	--	2	53132-124-000	HOLDER, HANDLE PIPE UNDER	2
*HOLDER, HANDLE PIPE UNDER	0.2	3	53133-198-900	RUBBER, HANDLE CUSHION UPPER	2
(ADD 01 FOR EACH)	--	4	53134-028-000	RUBBER, HANDLE CUSHION UNDER	2
		5	53135-198-900	WASHER, HANDLE CUSHION	2
		6	53136-198-900	PLATE, HANDLE CUSHION	2
		7	53230-KTR-940	BRIDGE COMP., FORK TOP	1
		8	90117-065-000	BOLT,HEX., 6X28	4
		9	90304-AAH-000	NUT STRG. STEM	1
		10	90503-KTR-900	WASHER, STEERING STEM	1
		11	95014-21101	HOLDER A1, HANDLE PIPE UPPER	2
		12	53208-AAH-000	CAP STRG. STEM	1
		13	90304-GA6-000	NYLOCK, NUT, 10MM	2

F-5
STEERING STEM



Service Item	F.R.T.	Group Number: F-5 Model :: Dawn 125 (Feb, 2016)			
		Ref No.	Part Number	Description	Req.
* RACE, STEERING BALL (ONE OR ALL)	0.8 --	1	50301-KTR-900	RACE, STEERING BALL	2
* STEM COMP., STEERING	0.9	2	53200-KTC-A20	STEM, COMP., STEERING	1
* RACE, STEERING TOP CONE	0.5	3	53211-268-010	RACE, STEERING TOP CONE	1
* THREAD, STEERING HEAD TOP	--	4	53212-200-000	RACE, STEERING BOTTOM CONE	1
		5	53214-200-000	DUST SEAL, STEERING HEAD	1
		6	53215-KTR-900	BALL, ASSY. STEERING	2
		7	53221-KTR-900	THREAD, STEERING HEAD TOP	1
		8	53222-KTR-900	MUD GUARD, STEERING HEAD TOP	1
		9	95701-08040-00	BOLT, FLANGE, 8 X 40	2
		10	96211-08000	BALL STEEL 8 MM	16

F-6-SPOKE FRONT FENDER



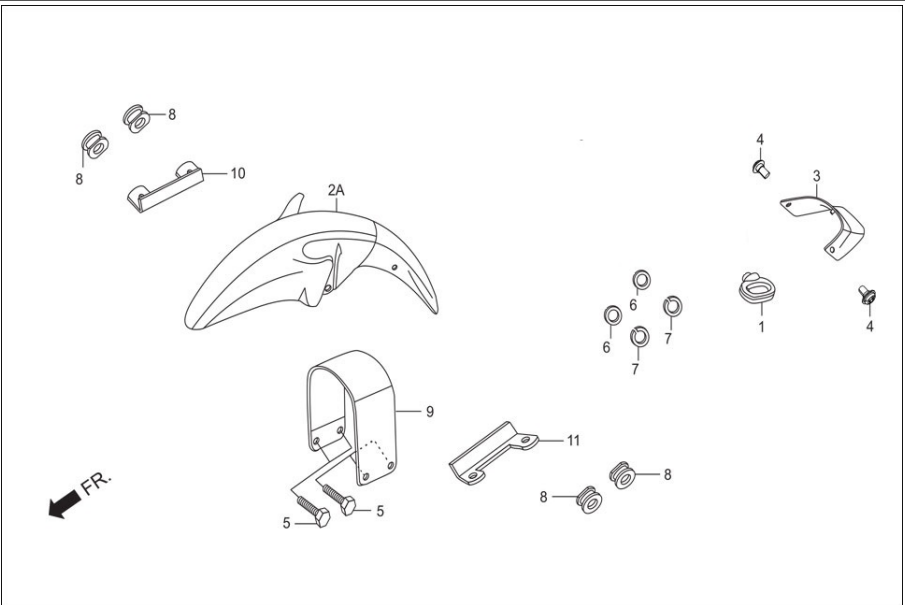
Service Item

F.R.T.

Group Number: F-6-SPOKE Model :: Dawn 125 (Feb, 2016)

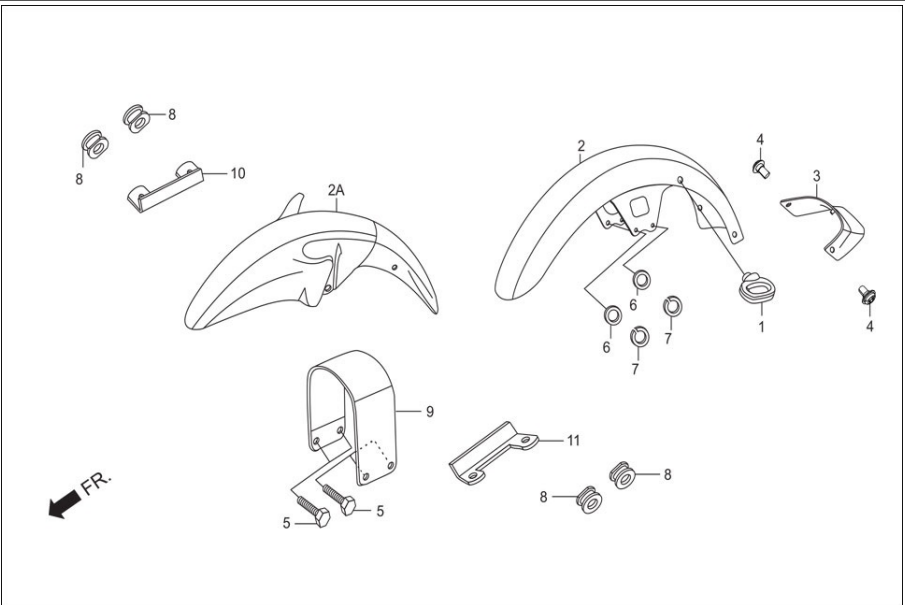
Ref No.	Part Number	Description	Req.
1	45451-KCC-900	GUIDE, FR. FENDER CABLE	1
2	61100-AAJ-H00	FENDER COMP., FRONT.	1
3	61150-AAJ-000	MUDGUARD FR. FENDER	1
4	90101-KST-900	SCREW M5X9	2
5	92000-06016-0A	BOLT, HEX., 6 X 16	4
6	94101-06000	WASHER, PLAIN, 6 MM	4
7	94111-06000	WASHER, SPRING , 6MM	4
8	61105-KTC-900	RUBBER, FRONT FENDER MOUNTING	4

F-6-WITH-VISOR
FRONT FENDER



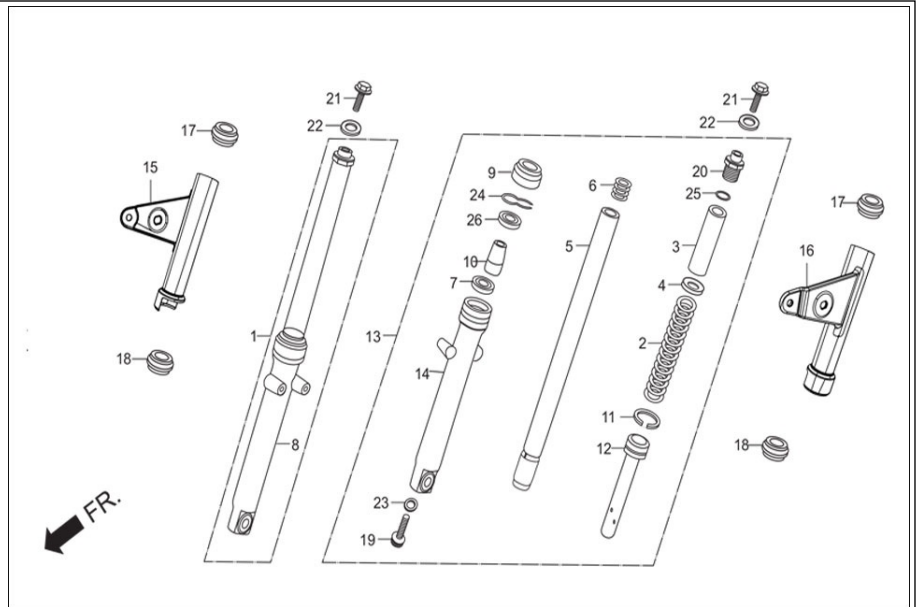
Service Item	F.R.T.	Group Number: F-6-WITH-VISOR Model :: Dawn 125 (Feb, 2016)			
* FENDER FRONT	0.3	Ref No.	Part Number	Description	Req.
		1	45451-KCC-900	GUIDE, FR. FENDER CABLE	1
		2A	61100-KTC-A20ZA	FENDER FR(BLACKNH-1)	1
			61100-KTC-A20ZE	FENDER FR (CANDY BLAZING RED)	1
			61100-KTC-A20ZF	FENDER FR (VIBRANT BLUE ME.)	1
		3	61150-AAJ-000	MUDGUARD FR. FENDER	1
		4	90101-KST-900	SCREW M5X9	2
		5	92000-06016-0A	BOLT, HEX., 6 X 16	4
		6	94101-06000	WASHER, PLAIN, 6 MM	2
		7	94111-06000	WASHER, SPRING , 6MM	2
		8	61105-KTC-900	RUBBER, FRONT FENDER MOUNTING	4
		9	61102-KTC-900	STAY, FRONT FENDER	1
		10	61103-KTR-940	BRKT. FR. FENDER R	1
		11	61104-KTR-940	BRKT. FR. FENDER L	1

F-6-WO-VISOR
FRONT FENDER



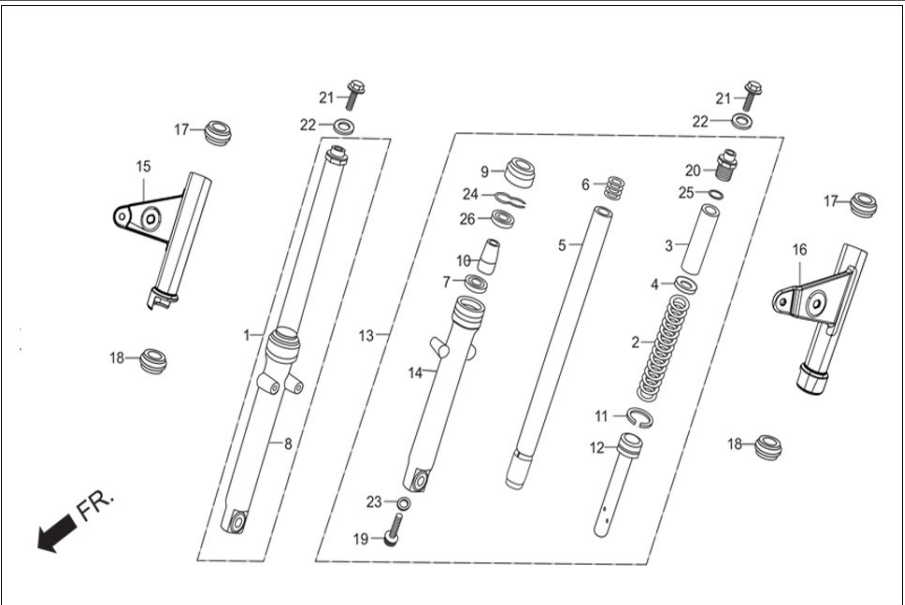
Service Item	F.R.T.	Group Number: F-6-WO-VISOR Model :: Dawn 125 (Feb, 2016)			
* FENDER FRONT	0.3	Ref No.	Part Number	Description	Req.
		1	45451-KCC-900	GUIDE, FR. FENDER CABLE	1
		2	61100-AAJ-H00	FENDER COMP., FRONT.	1
		2A	61100-KTC-A20ZA	FENDER FR(BLACKNH-1)	1
			61100-KTC-A20ZE	FENDER FR (CANDY BLAZING RED)	1
			61100-KTC-A20ZF	FENDER FR (VIBRANT BLUE ME.)	1
		3	61150-AAJ-000	MUDGUARD FR. FENDER	1
		4	90101-KST-900	SCREW M5X9	2
		5	92000-06016-0A	BOLT, HEX., 6 X 16	4
		6	94101-06000	WASHER, PLAIN, 6 MM	2
		7	94111-06000	WASHER, SPRING , 6MM	2
		8	61105-KTC-900	RUBBER, FRONT FENDER MOUNTING	4
		9	61102-KTC-900	STAY, FRONT FENDER	1
		10	61103-KTR-940	BRKT. FR. FENDER R	1
		11	61104-KTR-940	BRKT. FR. FENDER L	1

F-7-WITH-VISOR
FRONT FORK



Service Item	F.R.T.	Group Number: F-7-WITH-VISOR Model :: Dawn 125 (Feb, 2016)			
		Ref No.	Part Number	Description	Req.
* FORK ASSY., R/L FR. (ADD 0.2 FOR EACH)	0.5 --	1	51400-KWA-941	FORK ASSY., R FRONT	1
* SPRING, FR. CUSHION (ADD 0.2 FOR EACH)	0.6 --	2	51401-KST-941	SPRING, FR. CUSHION	2
* PIPE COMP., FR. FORK (ADD 0.5 FOR EACH)	0.8 --	3	51403-KCC-900	COLLAR, SPRING	2
* PIPE COMP., FR. FORK (ADD 0.5 FOR EACH)	0.8 --	4	51403-447-730	JOINT, SPRING	2
* CASE R/L FR. BOTTOM (ADD 0.5 FOR EACH)	0.9 --	5	51410-KWA-941	PIPE COMP. FR. FORK	2
		6	51412-KAG-900	SPRING, REBOUND	2
		7	51412-KWA-941	RING BACKUP	2
		8	51420-KWA-941	CASE COMP. R, FRONT BOTTOM	1
		9	51425-KST-901	SEAL, DUST	2
		10	51432-KST-901	PIECE, OIL LOCK	2
		11	51437-KVN-901	RING, PISTON	2
		12	51440-KTR-901	PIPE, SEAT	2
		13	51500-KWA-941	FORK ASSY., L FRONT	1
		14	51520-KWA-941	CASE COMP. L, FRONT BOTTOM	1
		15	51602-AAG-400	COVER COMP R FR FORK UPP	2
		16	51606-AAG-400	COVER COMP. L FR. FORK UPP	2
		17	51601-KAG-900	MOUNT RUBBER,FORK COVER UP	2
		18	51622-KAG-900	RUBBER FORK COVER UNDER MTG.	2
		19	90116-KAG-900	BOLT, SOCKET, 8 MM	2
		20	90123-KST-941	BOLT, A FR. FORK	2
		21	90123-KRM-860	BOLT, FR. FORK	2
		22	90521-292-000	WASHER, PLAIN, 10.3 MM	2
		23	90544-439-930	WASHER, SPECIAL, 8 MM	2
		24	90601-GF5-730	RING, OIL SEAL STOPPER	2
		25	91356-KAG-900	O - RING	2
		26	91255-KWA-941	SEAL OIL 30×42×11	2

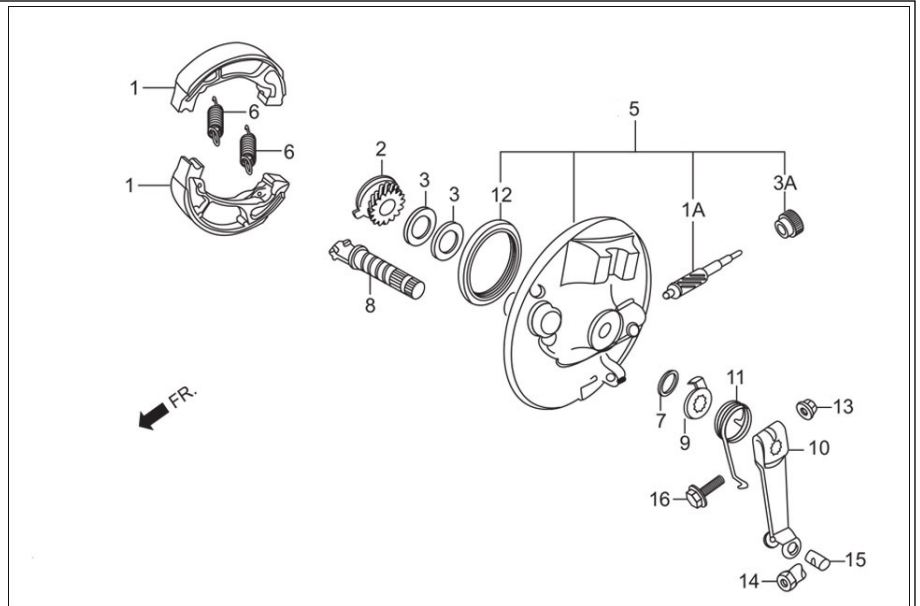
F-7-WO-VISOR
FRONT FORK



Service Item	F.R.T.	Group Number: F-7-WO-VISOR Model :: Dawn 125 (Feb, 2016)			
		Ref No.	Part Number	Description	Req.
* FORK ASSY., R/L FR. (ADD 0.2 FOR EACH)	0.5 --	1	51400-KWA-941	FORK ASSY., R FRONT	1
* SPRING, FR. CUSHION (ADD 0.2 FOR EACH)	0.6 --	2	51401-KST-941	SPRING, FR. CUSHION	2
* PIPE COMP., FR. FORK (ADD 0.5 FOR EACH)	0.8 --	3	51403-KCC-900	COLLAR, SPRING	2
* PIPE COMP., FR. FORK (ADD 0.5 FOR EACH)	0.8 --	4	51403-447-730	JOINT, SPRING	2
* CASE R/L FR. BOTTOM (ADD 0.5 FOR EACH)	0.9 --	5	51410-KWA-941	PIPE COMP. FR. FORK	2
		6	51412-KAG-900	SPRING, REBOUND	2
		7	51412-KWA-941	RING BACKUP	2
		8	51420-KWA-941	CASE COMP. R, FRONT BOTTOM	1
		9	51425-KST-901	SEAL, DUST	2
		10	51432-KST-901	PIECE, OIL LOCK	2
		11	51437-KVN-901	RING, PISTON	2
		12	51440-KTR-901	PIPE, SEAT	2
		13	51500-KWA-941	FORK ASSY., L FRONT	1
		14	51520-KWA-941	CASE COMP. L, FRONT BOTTOM	1
		15	51602-AAG-410R	COV COMP R FR FORK UP(BLK,NH1 T1)	1
			51602-AAG-410S	COVER COMP R FR FORK UPP. BLACK (TYPE-2)	1
			51602-AAG-410T	COV COMP R FR FORK UP(CBR,R-195C)	1
			51602-AAG-410U	COV COMP R FR FORK UP(VBO,PB-374M)	1
		16	51606-AAG-410R	COV COMP L FR FORK UP(BLK,NH-1-1)	1
			51606-AAG-410S	COVER COMP. L FR. FORK UPP. BLACK (TYPE-2)	1
			51606-AAG-410T	COV COMP L FR FORK UP(CBR,R-195C)	1
			51606-AAG-410U	COV COMP L FR FORK UP(VBO,PB-374M)	1
		17	51601-KAG-900	MOUNT RUBBER,FORK COVER UP	2
		18	51622-KAG-900	RUBBER FORK COVER UNDER MTG.	2
		19	90116-KAG-900	BOLT, SOCKET, 8 MM	2
		20	90123-KST-941	BOLT, A FR. FORK	2
		21	90123-KRM-860	BOLT, FR. FORK	2
		22	90521-292-000	WASHER, PLAIN, 10.3 MM	2

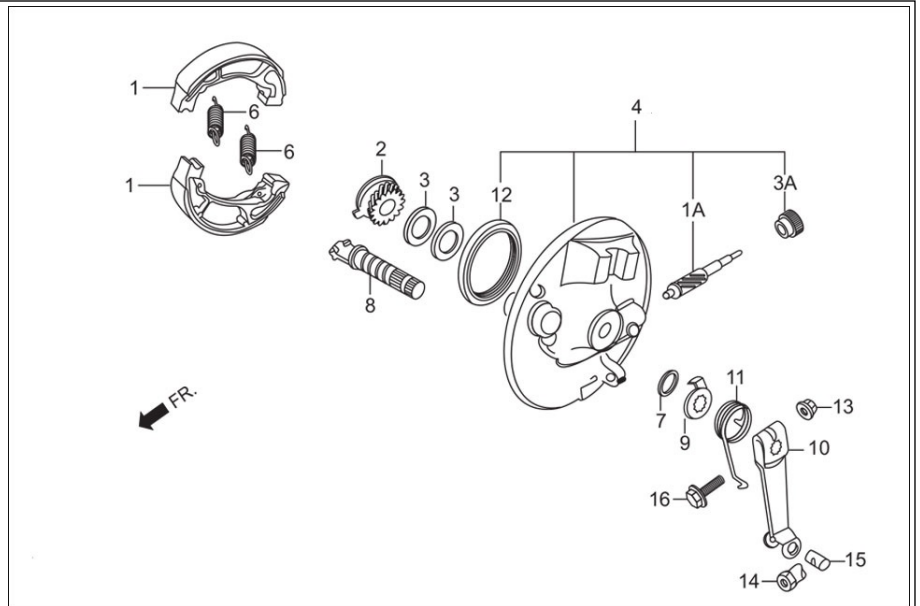
23	90544-439-930	WASHER, SPECIAL, 8 MM	2
24	90601-GF5-730	RING, OIL SEAL STOPPER	2
25	91356-KAG-900	O - RING	2
26	91255-KWA-941	SEAL OIL 30×42×11	2

F-8-CAST
FR. BRAKE PANEL



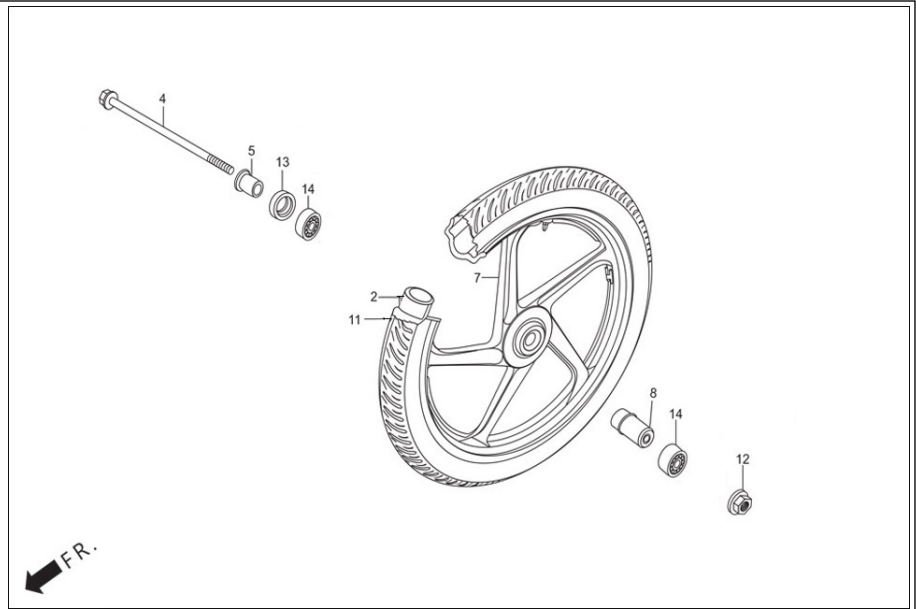
Service Item	F.R.T.	Group Number: F-8-CAST Model :: Dawn 125 (Feb, 2016)			
* GEAR, SPEEDOMETER	0.3	Ref No.	Part Number	Description	Req.
* PINION, SPEEDOMETER	0.6	1	45125-AAH-F0099	SHOE COMP BRAKE	2
* PANEL SUB COMP, FR BRAKE	0.4	2	44805-KTC-900	PINION, SPEEDOMETER	1
(INC RELATIVE PART)	--	3	44806-KST-900	GEAR, SPEEDOMETER	1
* SHOE COMP, BRAKE	--	4	44809-170-000	WASHER, SPEEDOMETER GEAR	2
(ONE OR ALL)	--	5	44810-KTC-900	BUSH, PINION	1
* ARM FR BRAKE	0.1	7	45010-AAC-030	PANEL SUB FRONT BRAKE	1
(INC RELATIVE PART)	--	8	45133-KCC-900	SPRING, FR. BRAKE SHOE	2
		9	45134-250-000	DUST SEAL, BRAKE CAM	1
		10	45141-KTC-900	CAM FR. BRAKE	1
		11	45145-096-650	INDICATOR, FR. BRAKE	1
		12	45410-KTR-A20	ARM, FR. BRAKE	1
		13	45435-GB2-720	SPRING, BRAKE ARM RETURN	1
		14	91251-GK4-000	OIL SEAL, 47X60X7	1
		15	94050-06000	NUT, FLANGE, 6 MM	1
		16	95015-32001	JOINT B BRAKE ARM	1
		17	95015-42000	NUT B ADJUST	1
		18	95701-06032-00	BOLT, FLANGE, 6 X 32	1

F-8-SPOKE
FR. BRAKE PANEL



Service Item	F.R.T.	Group Number: F-8-SPOKE Model :: Dawn 125 (Feb, 2016)			
* GEAR, SPEEDOMETER	0.3	Ref No.	Part Number	Description	Req.
* PINION, SPEEDOMETER	0.6	1	45125-AAH-F0099	SHOE COMP BRAKE	2
* PANEL SUB COMP, FR BRAKE	0.4	2	44805-KTC-900	PINION, SPEEDOMETER	1
(INC RELATIVE PART)	--	3	44806-KST-900	GEAR, SPEEDOMETER	1
* SHOE COMP, BRAKE	--	4	44809-170-000	WASHER, SPEEDOMETER GEAR	2
(ONE OR ALL)	--	5	44810-KTC-900	BUSH, PINION	1
* ARM FR BRAKE	0.1	6	45010-AAD-000	PANEL SUB COMP. FR. BRAKE	1
(INC RELATIVE PART)	--	8	45133-KCC-900	SPRING, FR. BRAKE SHOE	2
		9	45134-250-000	DUST SEAL, BRAKE CAM	1
		10	45141-KTC-900	CAM FR. BRAKE	1
		11	45145-096-650	INDICATOR, FR. BRAKE	1
		12	45410-KTR-A20	ARM, FR. BRAKE	1
		13	45435-GB2-720	SPRING, BRAKE ARM RETURN	1
		14	91251-GK4-000	OIL SEAL, 47X60X7	1
		15	94050-06000	NUT, FLANGE, 6 MM	1
		16	95015-32001	JOINT B BRAKE ARM	1
		17	95015-42000	NUT B ADJUST	1
		18	95701-06032-00	BOLT, FLANGE, 6 X 32	1

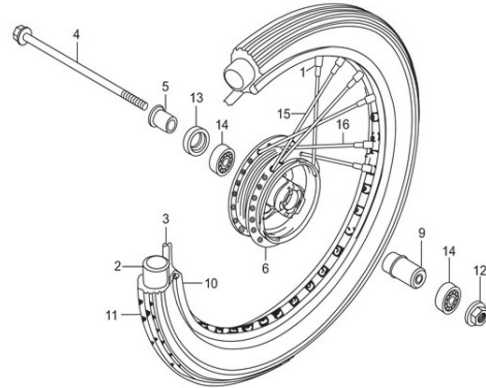
F-9-CAST FRONT WHEEL (DRUM)



Service Item	F.R.T.	Group Number: F-9-CAST Model :: Dawn 125 (Feb, 2016)			
		Ref No.	Part Number	Description	Req.
* TUBE, TYRE	0.9	2	44712-KTC-902	TUBE, TYRE (2.75X18)	1
* TYRE, FR	--	4	44301-KTR-700	AXLE, FR. WHEEL	1
* AXLE, FR WHEEL	0.2	5	44311-KRC-900	COLLAR, FR. WHEEL SIDE	1
* HUB, FR WHEEL	2.5	7	44601-AAC-H00	WHEEL COMP FRONT	1
* COLLAR, FR AXLE DISTANCE	0.4	8	44620-400-000	COLLAR, FRONT DISTANCE	1
* BEARING RADIAL BALL, 6301U	--	11	44711-KST-940	TYRE, FRONT (2.75-18-42P)	1
(ADD 01 FOR EACH)	--	12	90306-KST-942	NUT, CASTLE, 12 MM	1
* RIM, FR WHEEL	2.2	13	91251-KPH-901	DUST SEAL, 21 X 37 X 7	1
* OIL SEAL, 21 X 37 X 7	0.3	14	96140-63010-10	BEARING, RADIAL BALL, 6301U	2

F-9-SPOKE
FRONT WHEEL (DRUM)

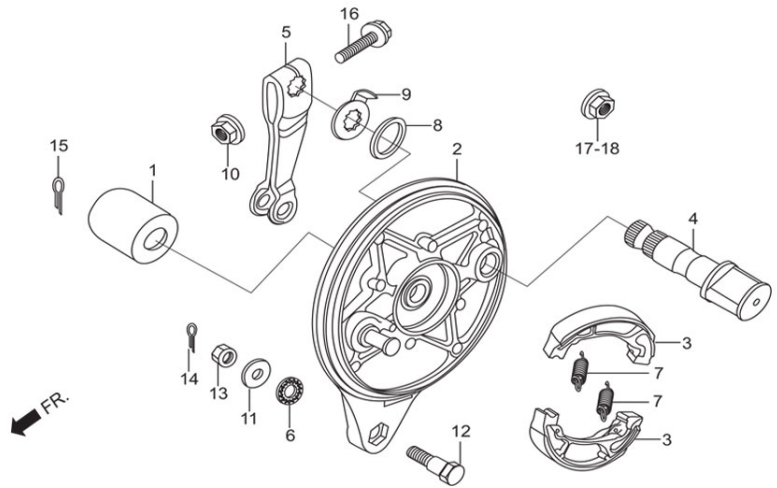
← F.R.



Service Item	F.R.T.	Group Number: F-9-SPOKE Model :: Dawn 125 (Feb, 2016)			
		Ref No.	Part Number	Description	Req.
* TUBE, TYRE	0.9	1	42603-198-900	NIPPLE, SPOKE-9	36
* TYRE, FR	--	2	44712-KTC-902	TUBE, TYRE (2.75X18)	1
* AXLE, FR WHEEL	0.2	3	42713-KFN-850	FLAP, TYRE (1.40 X 18)	1
* HUB, FR WHEEL	2.5	4	44301-KTR-700	AXLE, FR. WHEEL	1
* COLLAR, FR AXLE DISTANCE	0.4	5	44311-KRC-900	COLLAR, FR. WHEEL SIDE	1
* BEARING RADIAL BALL, 6301U	--	6	44601-KTR-940Z	HUB COMP., FR. WHEEL (CSM)	1
(ADD 01 FOR EACH)	--	9	44620-198-900	COLLAR, FR. AXLE DISTANCE	1
* RIM, FR WHEEL	2.2	10	44701-AAC-H00	RIM FRONT WHEEL	1
* OIL SEAL, 21 X 37 X 7	0.3	11	44711-KST-940	TYRE, FRONT (2.75-18-42P)	1
		12	90306-KST-942	NUT, CASTLE, 12 MM	1
		13	91251-KPH-901	DUST SEAL, 21 X 37 X 7	1
		14	96140-63010-10	BEARING, RADIAL BALL, 6301U	2
		15	97252-51162-10	SPOKE,A 9 X161	18
		16	97603-51162-10	SPOKE, A 9 X 161	18

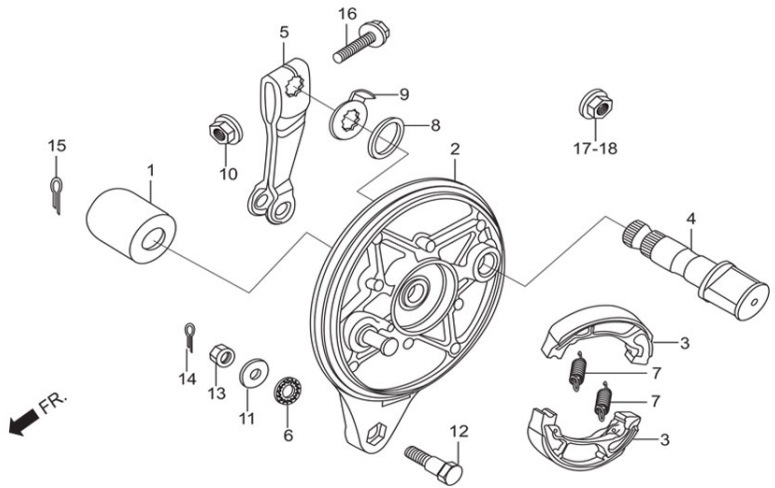
F-10-KICK-SPOKE

REAR BRAKE PANEL



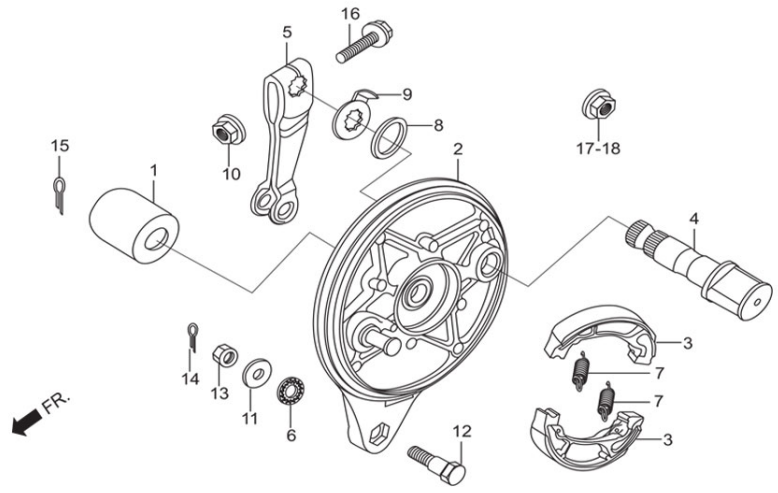
Service Item	F.R.T.	Group Number: F-10-KICK-SPOKE Model :: Dawn 125 (Feb, 2016)			
		Ref No.	Part Number	Description	Req.
* PANEL COMP, RR BRAKE	0.5	1	42313-198-900	COLLAR, RR. BRAKE PANEL SIDE	1
* SHOE COMP, BRAKE (ONE OR ALL)	0.4	2	43100-KTC-900	PANEL COMP., RR. BRAKE	1
* ARM, RR BRAKE	0.1	3	45125-AAH-F0099	SHOE COMP BRAKE	2
(INC RELATIVE PART)	--	4	43141-KTC-900	CAM, REAR BRAKE	1
		5	43410-KCT-690	ARM, REAR BRAKE	1
		6	43434-286-000	RUBBER, STOPPER ARM CUSHION	1
		7	45133-KCC-900	SPRING, FR. BRAKE SHOE	2
		8	45134-250-000	DUST SEAL, BRAKE CAM	1
		9	45145-KFM-900	INDICATOR, FR. BRK	1
		10	90301-473-000	NUT,U 6MM	1
		11	90505-425-000	WASHER, 8 MM	1
		12	92811-10000	BOLT A BRAKE STOPPER	1
		13	94001-08000-0S	NUT, HEX., 8 MM	1
		14	94201-20150	PIN, SPLIT, 2.0 X 15	1
		15	94201-30250	PIN, SPLIT, 3.0 X 25	1
		16	95701-06035-00	BOLT, FLANGE, 6X35	1
		17	90302-KTE-911	NUT FLANGE PT 6MM	1
		18	90302-KTE-911	NUT FLANGE PT 6MM	1

F-10-SELF-CAST
REAR BRAKE PANEL



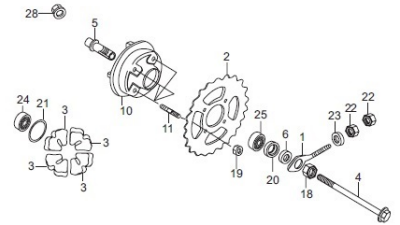
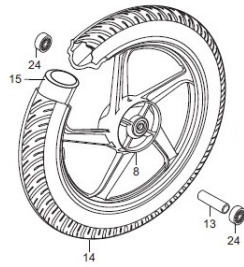
Service Item	F.R.T.	Group Number: F-10-SELF-CAST Model :: Dawn 125 (Feb, 2016)			
* PANEL COMP, RR BRAKE	0.5	Ref No.	Part Number	Description	Req.
* SHOE COMP, BRAKE	0.4	1	42313-198-900	COLLAR, RR. BRAKE PANEL SIDE	1
(ONE OR ALL)	--	2	43100-KTC-900	PANEL COMP., RR. BRAKE	1
* ARM, RR BRAKE	0.1		43100-KTR-700	PANEL COMP., RR. BRAKE	1
(INC RELATIVE PART)	--	3	45125-AAH-F0099	SHOE COMP BRAKE	2
		4	43141-KTC-900	CAM, REAR BRAKE	1
		5	43410-KCT-690	ARM, REAR BRAKE	1
		6	43434-286-000	RUBBER, STOPPER ARM CUSHION	1
		7	45133-KCC-900	SPRING, FR. BRAKE SHOE	2
		8	45134-250-000	DUST SEAL, BRAKE CAM	1
		9	45145-KFM-900	INDICATOR, FR. BRK	1
		10	90301-473-000	NUT,U 6MM	1
		11	90505-425-000	WASHER, 8 MM	1
		12	92811-10000	BOLT A BRAKE STOPPER	1
		13	94001-08000-0S	NUT, HEX., 8 MM	1
		14	94201-20150	PIN, SPLIT, 2.0 X 15	1
		15	94201-30250	PIN, SPLIT, 3.0 X 25	1
		16	95701-06035-00	BOLT, FLANGE, 6X35	1
		17	90302-KTE-911	NUT FLANGE PT 6MM	1
		18	90302-KTE-911	NUT FLANGE PT 6MM	1

F-10-SELF-SPOKE
REAR BRAKE PANEL



Service Item	F.R.T.	Group Number: F-10-SELF-SPOKE Model :: Dawn 125 (Feb, 2016)			
		Ref No.	Part Number	Description	Req.
* PANEL COMP, RR BRAKE	0.5	1	42313-198-900	COLLAR, RR. BRAKE PANEL SIDE	1
* SHOE COMP, BRAKE (ONE OR ALL)	0.4	2	43100-KTR-700	PANEL COMP., RR. BRAKE	1
* ARM, RR BRAKE	0.1	3	45125-AAH-F0099	SHOE COMP BRAKE	2
(INC RELATIVE PART)	--	4	43141-KTC-900	CAM, REAR BRAKE	1
		5	43410-KCT-690	ARM, REAR BRAKE	1
		6	43434-286-000	RUBBER, STOPPER ARM CUSHION	1
		7	45133-KCC-900	SPRING, FR. BRAKE SHOE	2
		8	45134-250-000	DUST SEAL, BRAKE CAM	1
		9	45145-KFM-900	INDICATOR, FR. BRK	1
		10	90301-473-000	NUT,U 6MM	1
		11	90505-425-000	WASHER, 8 MM	1
		12	92811-10000	BOLT A BRAKE STOPPER	1
		13	94001-08000-0S	NUT, HEX., 8 MM	1
		14	94201-20150	PIN, SPLIT, 2.0 X 15	1
		15	94201-30250	PIN, SPLIT, 3.0 X 25	1
		16	95701-06035-00	BOLT, FLANGE, 6X35	1
		17	90302-KTE-911	NUT FLANGE PT 6MM	1
		18	90302-KTE-911	NUT FLANGE PT 6MM	1

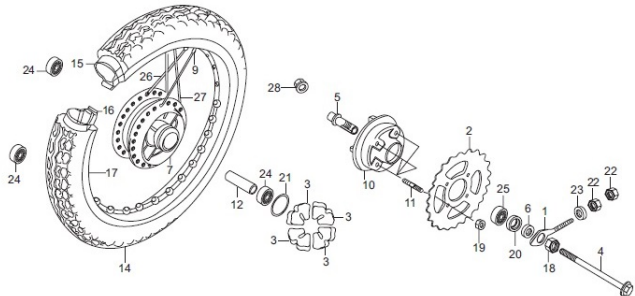
F-11-CAST REAR WHEEL



FR.

Service Item	F.R.T.	Group Number: F-11-CAST Model :: Dawn 125 (Feb, 2016)			
		Ref No.	Part Number	Description	Req.
* AXLE, REAR WHEEL	0.2	1	40543-KTR-900	ADJUSTER COMP., L CHAIN	1
* SPROCKET FINAL DRIVEN (42T)	0.7	2	41201-KTC-900	SPROCKET, FINAL DRIVEN (42T)	1
* DAMPER, RR WHEEL (ONE OR ALL)	0.4 --	3	41241-KTC-900	DAMPER, REAR WHEEL	4
* COLLAR, RR AXLE DISTANCE	--	4	42301-KTR-700	AXLE, REAR WHEEL	1
* BEARING, RADIAL BALL, 6301U (ADD 01 FOR EACH)	-- --	5	42303-KTR-900	SLEEVE, REAR WHEEL	1
* SLEEVE, RR WHEEL	0.5	6	42304-KTC-900	COLLAR, RR.AXLE SLEEVE	1
* HUB, RR WHEEL	2.5	8	42601-AAC-H00	WHEEL COMP REAR	1
* FLANGE, FINAL DRIVEN	0.8	10	42611-KTC-900	FLANGE, FINAL DRIVEN	1
* TYRE, RR	0.9	11	42615-198-900	BOLT, STUD., 8 X 42	4
* RIM, WHEEL (160 X 18)	2.3	13	42620-KTR-700	COLLAR, REAR AXLE DISTANCE	1
* BEARING, RADIAL BALL, 6203	0.6	14	42711-KST-940	TYRE, RR. (2.75 X 18 - 48 P)	1
		15	44712-KTC-902	TUBE, TYRE (2.75X18)	1
		18	90307-001-000	NUT ,RR. AXLE SLEEVE	1
		19	90309-357-000	NUT, HEX .,8MM	4
		20	90753-029-000	OIL SEAL, 27 X 40 X 6	1
		21	91304-704-000	O-RING 42 MM	1
		22	90302-KBP-900	NUT SPL 6 MM	2
		23	94101-06000	WASHER, PLAIN, 6 MM	1
		24	96140-63010-10	BEARING, RADIAL BALL, 6301U	2
		25	96150-62030-10	BEARING, BALL RADIAL, 6203 (UU)	1
		28	90306-KTE-911	NUT, CASTLE, 12 MM	1

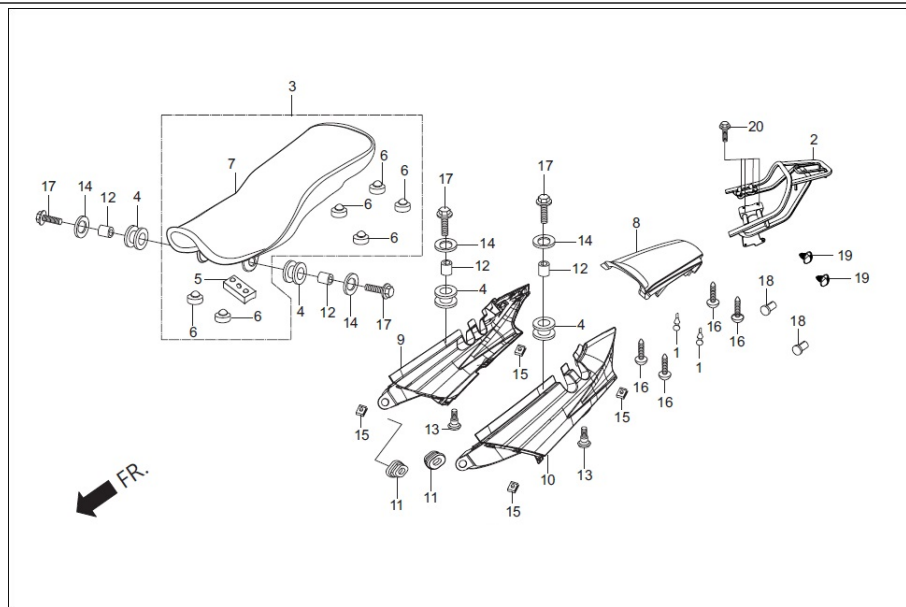
F-11-SPOKE
REAR WHEEL



FR.

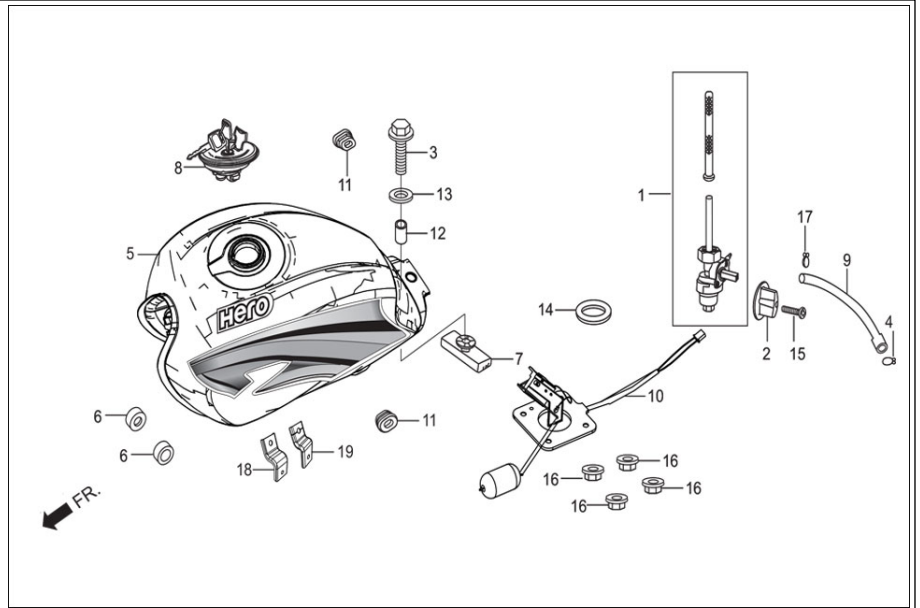
Service Item	F.R.T.	Group Number: F-11-SPOKE Model :: Dawn 125 (Feb, 2016)			
		Ref No.	Part Number	Description	Req.
* AXLE, REAR WHEEL	0.2	1	40543-KTR-900	ADJUSTER COMP., L CHAIN	1
* SPROCKET FINAL DRIVEN (42T)	0.7	2	41201-KTC-900	SPROCKET, FINAL DRIVEN (42T)	1
* DAMPER, RR WHEEL (ONE OR ALL)	--	3	41241-KTC-900	DAMPER, REAR WHEEL	4
* COLLAR, RR AXLE DISTANCE	--	4	42301-KTR-700	AXLE, REAR WHEEL	1
* BEARING, RADIAL BALL, 6301U (ADD 01 FOR EACH)	--	5	42303-KTR-900	SLEEVE, REAR WHEEL	1
* SLEEVE, RR WHEEL	0.5	6	42304-KTC-900	COLLAR, RR.AXLE SLEEVE	1
* HUB, RR WHEEL	2.5	7	42601-KTR-940Z	HUB RR. WHEEL(CSM)	1
* FLANGE, FINAL DRIVEN	0.8	9	42603-198-900	NIPPLE, SPOKE-9	36
* TYRE, RR	0.9	10	42611-KTC-900	FLANGE, FINAL DRIVEN	1
* RIM, WHEEL (160 X 18)	2.3	11	42615-198-900	BOLT, STUD., 8 X 42	4
* BEARING, RADIAL BALL, 6203	0.6	12	42620-KTR-940	COLLAR, REAR AXLE DISTANCE	1
		14	42711-KST-940	TYRE, RR. (2.75 X 18 - 48 P)	1
		15	44712-KTC-902	TUBE, TYRE (2.75X18)	1
		16	42713-KFN-850	FLAP, TYRE (1.40 X 18)	1
		17	44701-AAC-H00	RIM FRONT WHEEL	1
		18	90307-001-000	NUT ,RR. AXLE SLEEVE	1
		19	90309-357-000	NUT, HEX ,8MM	4
		20	90753-029-000	OIL SEAL, 27 X 40 X 6	1
		21	91304-704-000	O-RING 42 MM	1
		22	90302-KBP-900	NUT SPL 6 MM	2
		23	94101-06000	WASHER, PLAIN, 6 MM	1
		24	96140-63010-10	BEARING, RADIAL BALL, 6301U	2
		25	96150-62030-10	BEARING, BALL RADIAL, 6203 (UU)	1
		26	97252-51162-10	SPOKE,A 9 X161	18
		27	97687-51161-10	SPOKE,A9X160.5	18
		28	90306-KTE-911	NUT, CASTLE, 12 MM	1

F-12
SEAT ASSY./RR COWL/REAR GRIP



Service Item	F.R.T.	Group Number: F-12 Model :: Dawn 125 (Feb, 2016)			
		Ref No.	Part Number	Description	Req.
* SEAT ASSY, DOUBLE	0.1	1	17512-KCC-900	STOPPER, TANK LID	2
* SET, CENTER RR COWL	--	2	81200-AAG-000	CARRIER COMP REAR	1
* SET, RIGHT SIDE COWL	--	3	77200-AAG-400	SEAT ASSY, DOUBLE	1
* SET, LEFT SIDE COWL	--	4	77202-KCC-900	RUBBER, SEAT MOUNTING	4
* PIPE ASSY, REAR GRIP	0.2	5	77204-KCC-900	RUBBER, `A SEAT SETTING	1
		6	77206-AAG-000	RUBBER SEAT CUSHION	6
			77206-KCC-900	RUBBER, SEAT CUSHION	6
		7	7720A-AAG-000	COVER SEAT ASSY. DOUBLE	1
		8	77235-AAG-H20ZA	SET, CENTER RR COWL(BLACK, NH-1)	1
		9	77246-AAG-000R	SET, R. BODY COWL (BLACK-1)	1
		10	77256-AAG-000R	SET, L. BODY COWL (BLACK-1)	1
		11	83551-300-000	GROMMET, AIR CLEANER CASE	2
		12	84702-KCC-900	COLLAR, STAY NO. PLATE SET	4
		13	90101-GE0-000	SCREW, HINGE PATCH	2
		14	90563-355-000	WASHER, WHEEL, 6 MM	4
		15	90320-GC3-000	NUT, SPRING, M5	4
		16	93903-24320	SCREW, TAPPING, 4x12	4
		17	95701-06025-18	BOLT, FLANGE, 6 X 25	4
		18	84103-AAD-300	CAP, CARRIER RR.	2
		19	90851-AAG-100	PLUG USELESS HOLE	2
		20	95701-08016-00	BOLT, FLANGE, 8X16	4

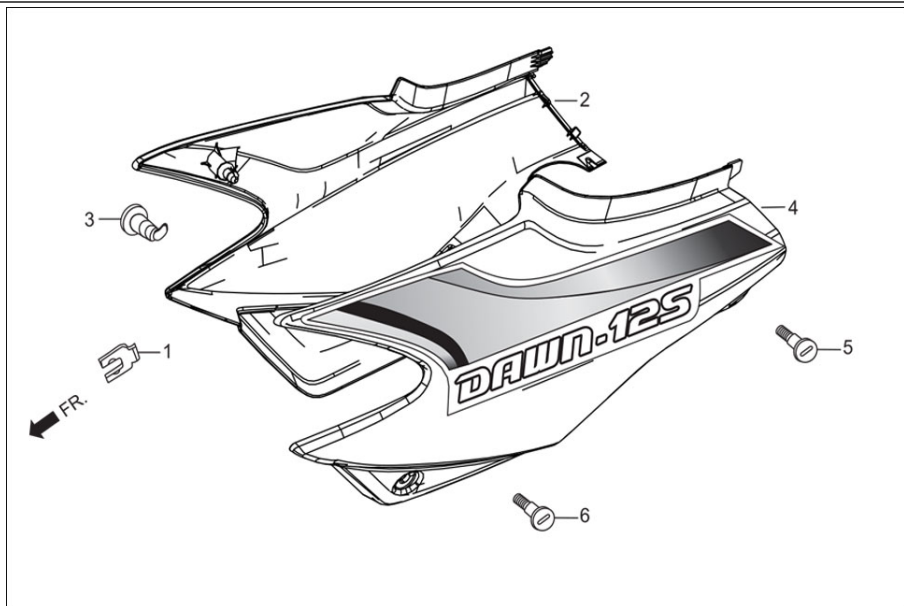
F-13
FUEL TANK



Service Item	F.R.T.
* COCK ASSY, FUEL	0.2
* SCREEN, FUEL STRAINER	--
* TANK SET, FUEL	0.3
* UNIT ASSY, FUEL	--

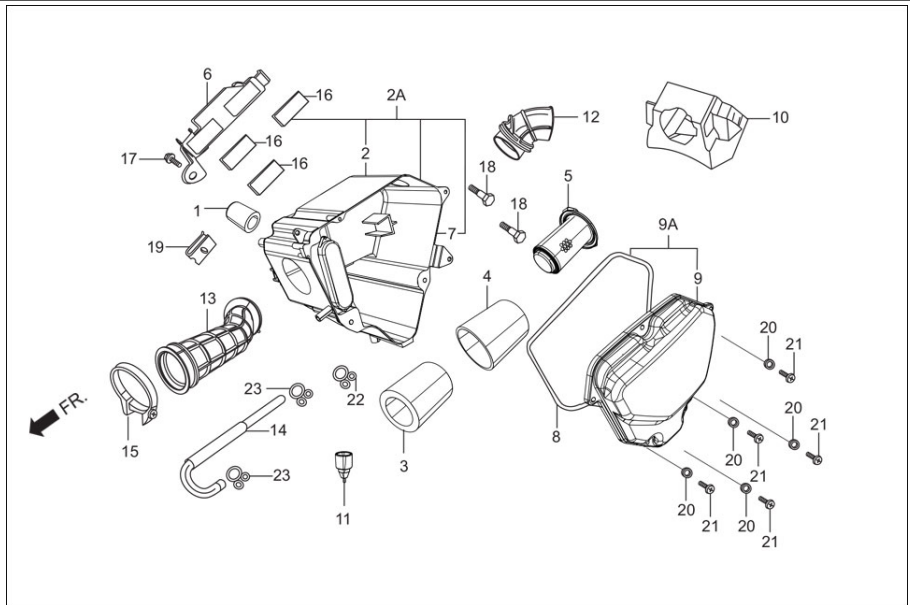
Group Number: F-13 Model :: Dawn 125 (Feb, 2016)				
Ref No.	Part Number	Description	Req.	
1	16950-AAG-400099	COCK ASSY FUEL	1	
2	16955-AAG-000	LEVER FUEL COCK	1	
3	95701-08035-08	BOLT, FLANGE, 8 X 35	1	
4	95002-02100	CLIP, B-10 TUBE	1	
5	17505-AAG-400R	SET, FUEL TANK (BLACK-1)	1	
	17505-AAG-400S	SET, FUEL TANK (BLACK-2)	1	
	17505-AAG-400T	SET, FUEL TANK (CANDY BLAZING RED)	1	
	17505-AAG-400U	SET, FUEL TANK (VIBRANT BLUE ME.)	1	
6	17611-KTR-A00	CUSHION, FRONT FUEL TANK	2	
7	17613-KTR-A00	CUSHION, REAR TANK	1	
8	17620-KST-H61	CAP COMP.FUEL FILLER	1	
9	17681-KTC-900	TUBE,FUEL	1	
10	37800-KTC-A21	UNIT, ASSY., FUEL	1	
11	83551-300-000	GROMMET, AIR CLEANER CASE	2	
12	90324-KCC-900	COLLAR, 8 MM	1	
13	90325-KCC-900	WASHER, PLAIN, 8 MM	1	
14	91305-443-740	O RING, 39.5 X 5	1	
15	93500-04025-0G	SCREW, PAN, 4X25	1	
16	94050-06000	NUT, FLANGE, 6 MM	4	
17	95002-02080	CLIP, TUBE	1	
18	17517-KTC-A20	STAY, U BOX FR.	1	
19	17518-KTC-A20	STAY, U BOX RR.	1	

F-14
SIDE COVER



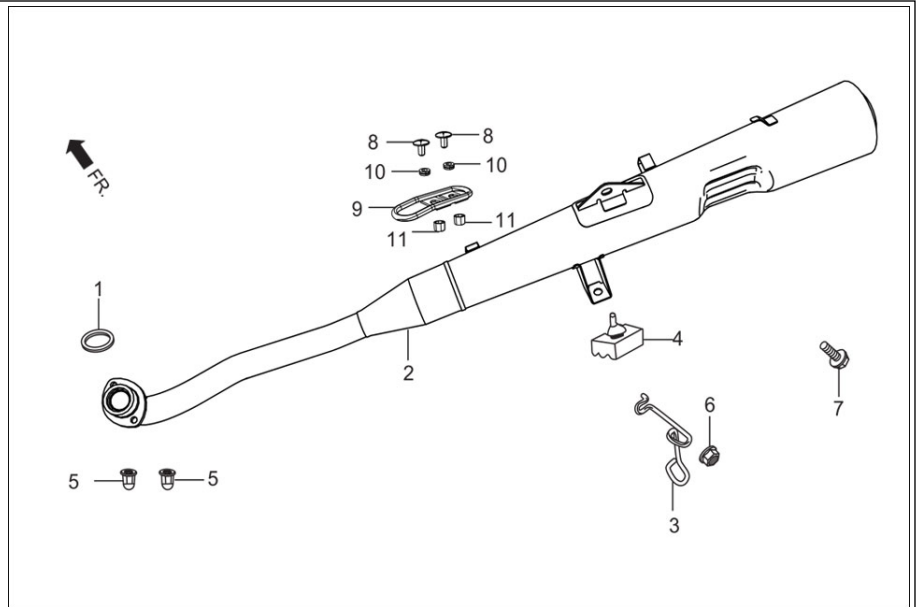
Service Item	F.R.T.	Group Number: F-14 Model :: Dawn 125 (Feb, 2016)			
		Ref No.	Part Number	Description	Req.
* SET, RIGHT SIDE COVER	0.1	1	75581-673-000	SET SPRING, LOCK KEY	1
* SET, LEFT SIDE COVER	0.1	2	83500-AAG-400R	SET, R BODY COV(BLK,NH-1-1)	1
			83500-AAG-400S	SET, R BODY COV(BLK,NH-1-2)	1
			83500-AAG-400T	SET, R BODY COV(CBR,R-195C)	1
			83500-AAG-400U	SET, R BODY COV(VBO,PB-374M)	1
		3	83550-KTC-H01	LOCK SIDE COVER	1
		4	83600-AAG-400R	SET, L BODY COVER(BLACK-1)	1
			83600-AAG-400S	SET, L SIDE COVER(BLACK-2)	1
			83600-AAG-400T	SET, L BODY COV(CBR,R-195C)	1
			83600-AAG-400U	SET, L BODY COV(VBO,PB-374M)	1
		5	90101-GE0-000	SCREW, HINGE PATCH	1
		6	90381-KWA-940	SCREW SPECIAL 6×13	1

F-15
AIR CLEANER



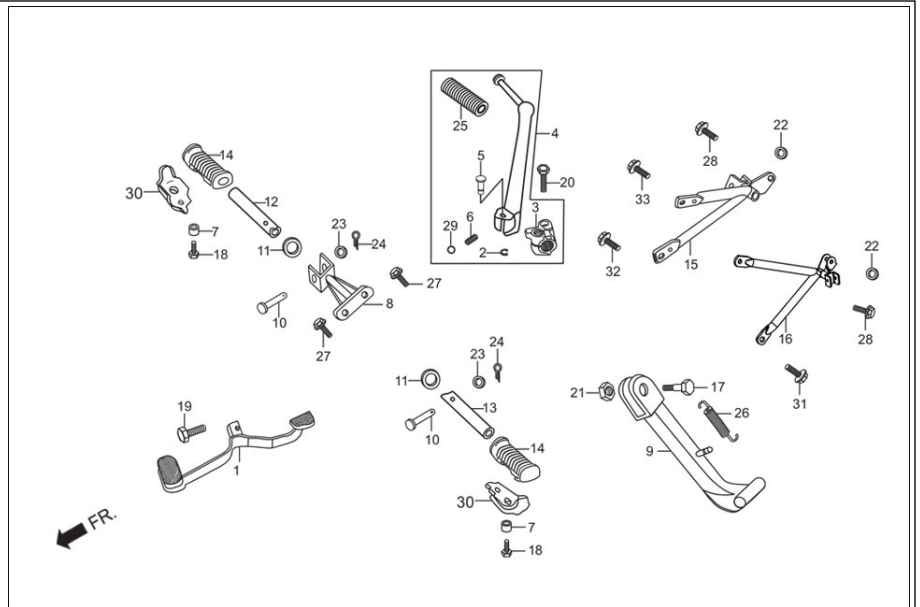
Service Item	F.R.T.	Group Number: F-15 Model :: Dawn 125 (Feb, 2016)			
		Ref No.	Part Number	Description	Req.
* CASE, SUB ASSY AIR/C	0.3	1	18651-KST-900	PLUG,AIR/C	1
* ELEMENT, AIR/C	0.2	2	17210-KWA-840	CASE, AIR/C	1
* HOLDER, ELEMENT	--	2A	17225-KWA-840	CASE SUB ASSY., AIR/C	1
* COVER SUB ASSY AIR/C	--	3	17211-AAAG-400	ELEMENT A AIR CLEANER	1
* DUCT, AIR/C INLET	--	4	17213-AAAG-400	ELEMENT B AIR CLEANER	1
* TUBE, AIR/C CONN	--	5	17212-AAAG-400	HOLDER, ELEMENT	1
* BAND, BATTERY	--	6	17214-KWA-840	BAND, BATTERY	1
		7	17218-KTC-900	SEAL AIR CLEANER	1
		8	17219-KTC-900	SEAL, A/I CLEANER	1
		9	17220-KTC-900H	COVER,AIR/C	1
		9A	17235-KTC-900	COVER SUB ASSY. AIR/C	1
		10	17234-KTC-900	COVER, AIR/C DUCT	1
		11	17234-KCC-940	TUBE AIR CLEANER DRAIN	1
		12	17251-KTC-900	DUCT, AIR/C INLET	1
		13	17253-KTC-900	TUBE, AIR/C CONN.	1
		14	17365-KTC-900	TUBE, BREATHER	1
		15	95018-46320	BAND 46 AIR/C CONN. TUBE	1
		16	83407-KTR-940	RUBBER, BATTERY	3
		17	90101-KWA-830	BOLT FLANGE 6X18	1
		18	90111-187-000	BOLT, FLANGE. 6 MM	2
		19	90311-MT3-000	NUT, CLIP, 6 MM	1
		20	94101-05000	WASHER , PLAIN, 5MM	5
		21	93500-05016-0A	SCREW, PAN, 5 X 16	5
		22	95002-02130	CLIP B 12.5 TUBE	1
		23	95002-80000	CLIP,C12 TUBE	2

F-16
MUFFLER



Service Item	F.R.T.	Group Number: F-16 Model :: Dawn 125 (Feb, 2016)			
		Ref No.	Part Number	Description	Req.
* COVER, EXH. PIPE	0.1	1	18291-KTR-A00	GASKET, EXHAUST PIPE	1
* GASKET, EXH. PIPE	--	2	18350-AAG-000	MUFFLER COMP EXH	1
* GUIDE, TUBE	0.2	3	50181-KTR-940	GUIDE,HOSE	1
* MUFFLER COMP., EXH.	0.3	4	50505-KCC-900	STOPPER RUBBER, A STAND	1
		5	90304-KPH-900	NUT, HEX. CAP, 8 MM	2
		6	94050-06000	NUT, FLANGE, 6 MM	1
		7	95701-08016-00	BOLT, FLANGE, 8X16	1
		8	90107-KST-940	SCREW MUFF. PROTECTOR MOUNT	2
		9	18351-KTR-A20	GUARD, MUFFLER	1
		10	18345-KST-940	RUBBER PROTECTOR	2
		11	17221-KA4-300	COLLAR CONN TUBE	2

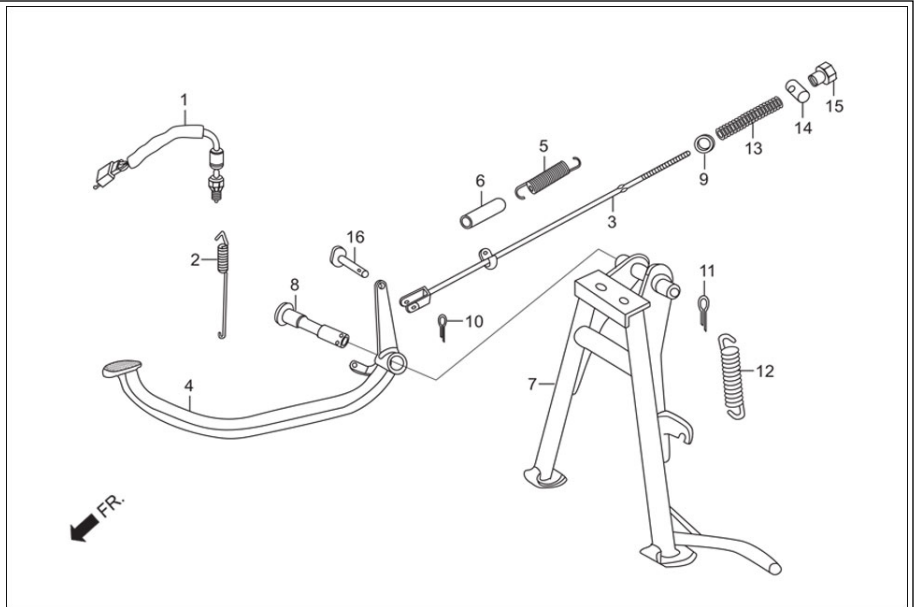
F-17
STEP ASSY./KICK STARTER/GEAR
CHANGE PEDAL/SIDE STAND



Service Item	F.R.T.	Group Number: F-17 Model :: Dawn 125 (Feb, 2016)			
		Ref No.	Part Number	Description	Req.
* PEDAL, GEAR CHANGE	0.1	1	24701-AAG-400	PEDAL, GEAR CHANGE	1
* ARM ASSY, KICK STARTER	--	2	28293-KAG-900	CLIP, KICK STARTER	1
* BAR COMP, SIDE STAND	--	3	28302-KTR-840	JOINT KICK ARM	1
* BRACKET COMP, RIGHT/LEFT	--	4	2830A-KTR-840	ARM ASSY. COMP. KICK STATER	1
PILLION STEP	--	5	28321-KTC-900	PIN, KICK STARTER	1
		6	28333-124-000	SPRING, KICK STARTER STOPPER	1
		7	37243-323-000	COLLAR , METER SET	2
		8	50160-KTC-900	BRKT. COMP., R STEP	1
		9	50530-KCC-900	BAR COMP. SIDE STAND	1
		10	50603-KB4-000	PIN, MAIN STEP BAR JOINT	2
		11	50614-413-000	WASHER, MAIN STEP	2
		12	50618-KCC-000	BAR R STEP	1
		13	50619-KCC-000	BAR L STEP	1
		14	50661-AAJ-H00	RUBBER, STEP	2
		15	50701-AAG-000	BRKT COMP P STEP R	1
		16	50702-AAG-000	BRKT COMP P STEP L	1
		17	90107-GN1-010	SCREW SIDE STAND PIVOT	1
		18	92000-06016-0A	BOLT, HEX., 6 X 16	2
		19	92000-06020-0H	BOLT HEX., 6 X 20	1
		20	92101-08032-0A	BOLT HEX., 8 X 32	1
		21	94030-10000	NUT HEX., 10MM	1
		22	94101-06000	WASHER, PLAIN, 6 MM	2
		23	94101-08000	WASHER, PLAIN, 8MM	2
		24	94201-16150	PIN, SPLIT, 1.6 X 15	1
		25	95011-51000	RUBBER, A KICK STARTER	1
		26	95014-72302	SPRING, C SIDE STAND	1
		27	95701-08016-07	BOLT FLANGE, 8 X 16	2
		28	95701-10045-07	BOLT FLANGE, 10 X 45	2

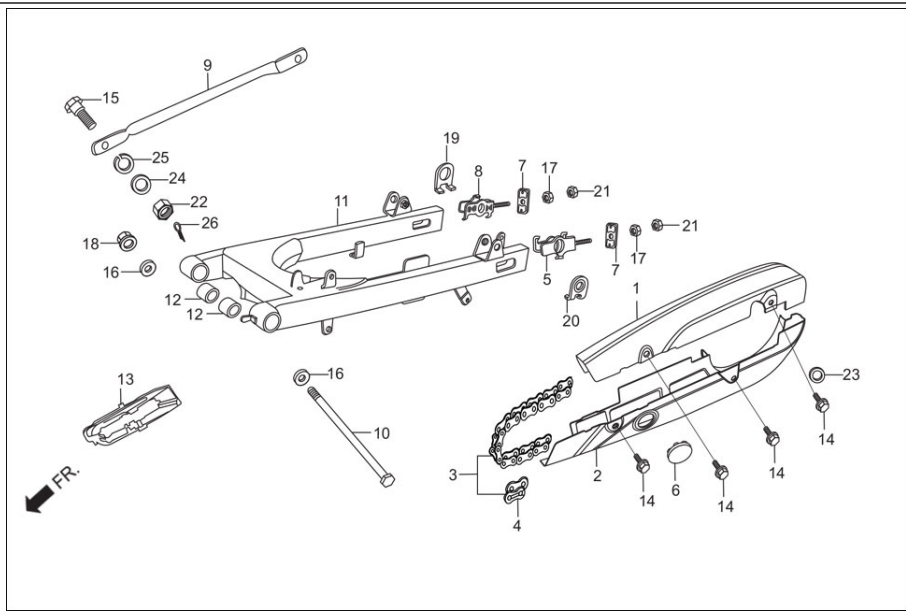
29	96211-08000	BALL STEEL 8 MM	1
30	50619-425-010	STOPPER, STEP RUBBER	2
31	95701-06040-00	BOLT FLANGE 6X40	1
32	95801-08040-00	BOLT,FLANGE,8 X 40	1
33	95801-08045-00	BOLT FLANGE 8X45	1

F-18
MAIN STAND/PEDAL BRAKE



Service Item	F.R.T.	Group Number: F-18 Model :: Dawn 125 (Feb, 2016)			
		Ref No.	Part Number	Description	Req.
* SWITCH ASSY, RR STOP	0.2	1	35350-KTR-A00	SWITCH ASSY, REAR STOP	1
* ROD COMP, RR BRAKE	0.3	2	35357-KCC-900	SPRING STOP SWITCH	1
* PEDAL, BRAKE	0.5	3	43451-KTC-900	ROD COMP. RR. BRAKE	1
* SPRING, BRAKE PEDAL	0.1	4	46500-AAG-400	PEDAL, BRAKE	1
* STAND COMP, MAIN	0.4	5	46514-KCC-900	SPRING , BRAKE PEDAL	1
		6	46515-KB9-000	TUBE , BRAKE PEDAL SPRING	1
		7	50500-KTR-A00	STAND COMP.MAIN	1
		8	50512-KTC-900	PIPE, RR. BRAKE PIVOT	1
		9	90502-198-900	WASHER , BRAKE ROD	1
		10	94201-20150	PIN, SPLIT, 2.0 X 15	1
		11	94201-30250	PIN, SPLIT, 3.0 X 25	1
		12	95014-71702	SPRING G MAIN STAND	1
		13	95014-73100	SPRING A BRAKE ROD	1
		14	95015-32001	JOINT B BRAKE ARM	1
		15	95015-42000	NUT B ADJUST	1
		16	95015-53000	PIN, C JOINT	1

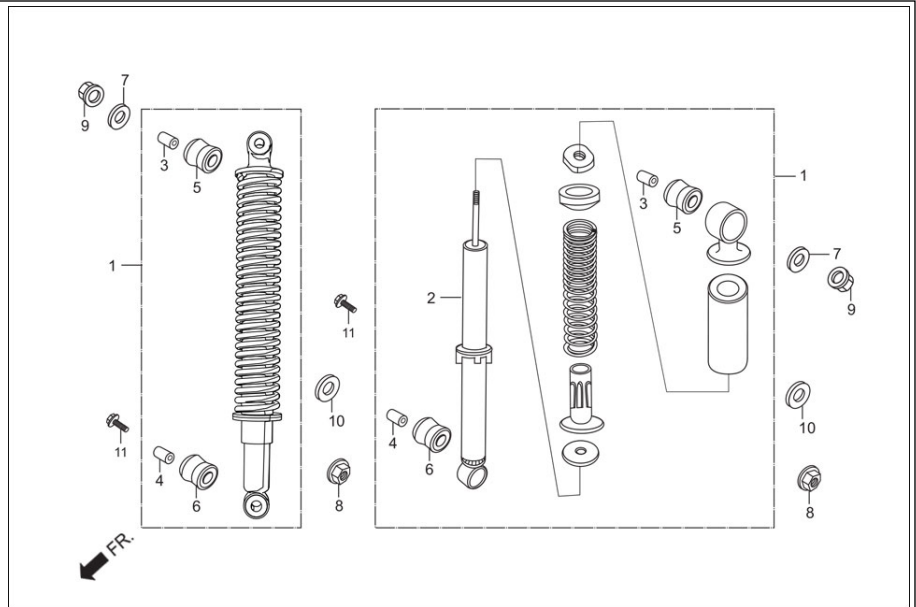
F-19
SWINGARM/CHAIN CASE



Service Item	F.R.T.
* CASE, UPPER (HALF) DRIVE CHAIN (ONE OR ALL)	0.1 --
* CHAIN, DRIVE	0.3
* ARM, RR BRAKE STOPPER	0.2
* SWING ARM, SUB ASSY, RR	0.7
* RUBBER BUSH, RR FORK PIVOT	1.0
* PACKING, DRIVE CHAIN CASE	--

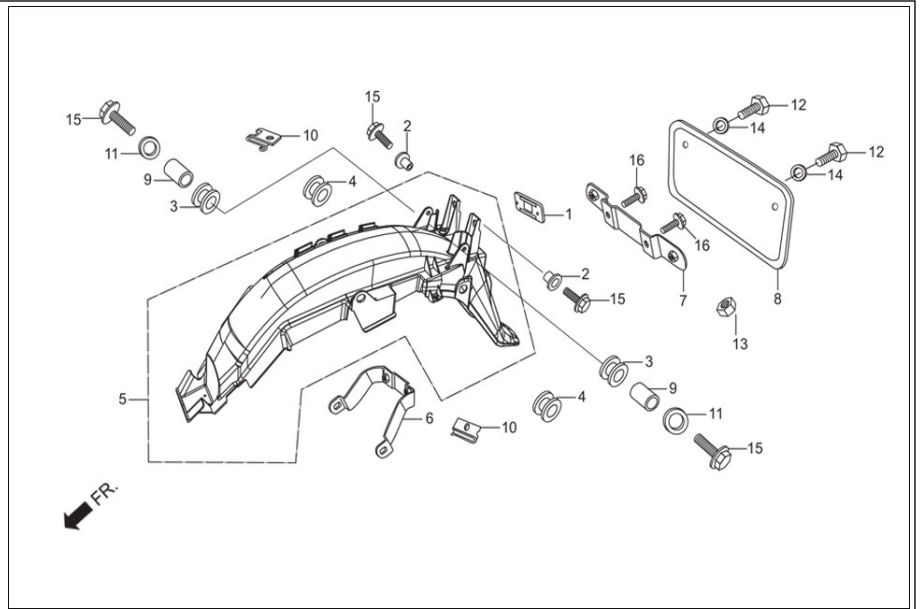
Group Number: F-19 Model :: Dawn 125 (Feb, 2016)				
Ref No.	Part Number	Description	Req.	
1	40510-KTR-940Z	CASE, UPPER (HALF) DRIVE CHAIN	1	
2	40520-KTR-940	CASE, UNDER (HALF) DRIVE CHAIN	1	
3	40530-KCC-900	CHAIN, DRIVE (428-108)	1	
4	40531-205-010	JOINT RJ, DRIVE CHAIN	1	
5	40543-KTR-900	ADJUSTER COMP., L CHAIN	1	
6	40545-001-000	CAP, CHAIN PEEP HOLE	1	
7	40546-KPG-T00	CAP SWINGARM, END	2	
8	40546-KTR-900	ADJUSTER COMP., R CHAIN	1	
9	43431-KTR-900	ARM, RR, BRAKE STOPPER	1	
10	52101-KTC-900	BOLT, SWINGARM PIVOT	1	
11	52110-KTR-940	SWINGARM, COMP. RR	1	
12	52147-KTC-900	RUBBER BUSH, RR. FORK PIVOT	2	
13	52170-KTR-900	SLIDER, CHAIN	1	
14	90118-383-000	BOLT, WASHER, 6 X6	4	
15	90133-331-770	BOLT, HEX., 8MM	1	
16	90183-KTC-900	WASHER, SPL., 12 MM	2	
17	90302-KBP-900	NUT SPL 6 MM	2	
18	90306-KST-942	NUT, CASTLE, 12 MM	1	
19	90558-KTR-900	WASHER, RR AXLE (RIGHT)	1	
20	90559-KTR-900	WASHER, RR AXLE (LEFT)	1	
21	94001-06000-0S	NUT, HEX., 6 MM	2	
22	94001-08000-0S	NUT, HEX., 8 MM	1	
23	94101-06000	WASHER, PLAIN, 6 MM	1	
24	94101-08000	WASHER, PLAIN, 8MM	1	
25	94111-10000	WASHER, SPRING, 10MM	1	
26	94201-20150	PIN, SPLIT, 2.0 X 15	1	

F-20 REAR CUSHION



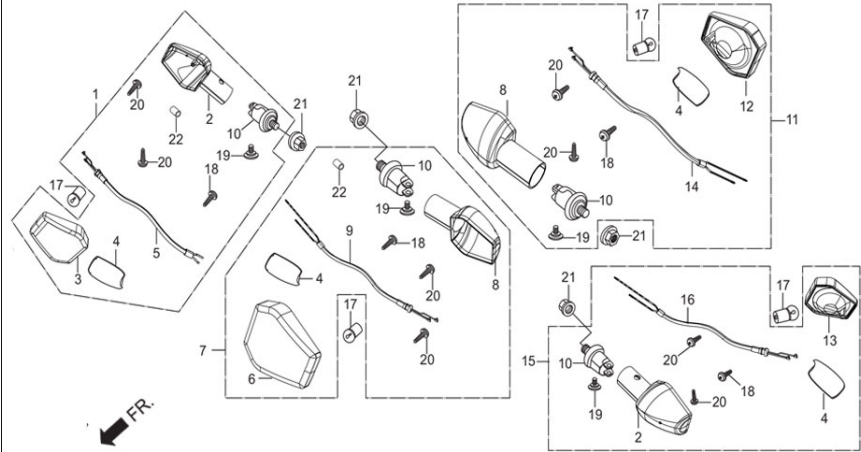
Service Item	F.R.T.	Group Number: F-20 Model :: Dawn 125 (Feb, 2016)			
		Ref No.	Part Number	Description	Req.
* CUSHION ASSY, REAR (ONE OR ALL)	0.2 --	1	52400-AAG-400	CUSHION ASSY., REAR	2
* DAMPER COMP, REAR (ADD 02 FOR EACH)	0.4 --	2	52410-KTC-A21	DAMPER COMP., REAR	2
		3	52486-056-000	COLLAR, RUBBER BUSH (UPPER)	2
		4	52486-KAG-900	COLLAR ,RUBBER BUSH (UNDER)	2
		5	52489-399-600	BUSH ,RUBBER (UPPER)	2
		6	52495-098-000	BUSH, RUBBER (UNDER)	2
		7	90551-178-000	WASHER,SPL., 10MM	2
		8	94002-10000-0S	NUT, HEX, 10MM	2
		9	94050-10000	NUT, FLANGE, 10MM	2
		10	94101-12800	WASHER,PLAIN ,12 MM	2
		11	95801-10035-00	BOLT, FLANGE, 10X35	2

F-21
REAR FENDER



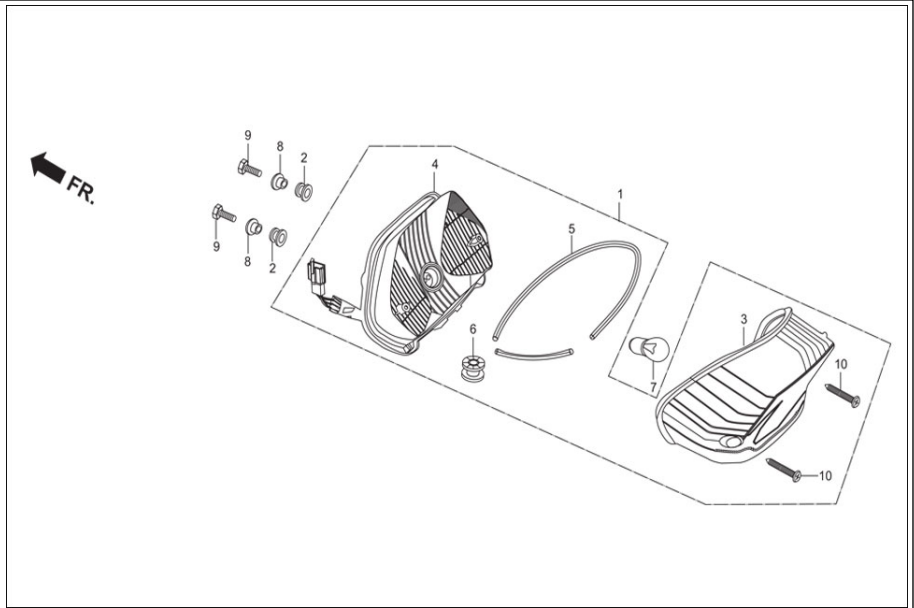
Service Item	F.R.T.	Group Number: F-21 Model :: Dawn 125 (Feb, 2016)			
		Ref No.	Part Number	Description	Req.
* FENDER COMP., REAR	0.6	1	33741-KST-920	REFLEX REFLECTOR	1
* BRACKET, RR. NO. PLATE	--	2	61107-KK6-000	WASHER, 6MM	2
* PLATE, RR. WINKER	--	3	61103-357-000	RUBBER FR. FENDER MOUNT	2
		4	77202-KCC-900	RUBBER, SEAT MOUNTING	2
		5	80100-AAG-000	FENDER COMP REAR	1
		6	80151-KTC-900	PLATE, RR. WINKER	1
		7	84701-KTC-900	BRACKET, RR. NO. PLATE	1
		8	84701-P26-D00A	NUMBER, PLATE REAR	1
		9	84702-KCC-900	COLLAR, STAY NO. PLATE SET	2
		10	90320-GC3-000	NUT, SPRING, M5	2
		11	90563-355-000	WASHER, WHEEL, 6 MM	2
		12	92000-06012-0A	BOLT,HEX.,6X12	2
		13	94002-06000-0S	NUT, HEX 6MM	1
		14	94101-06000	WASHER, PLAIN, 6 MM	2
		15	95701-06016-00	BOLT, FLANGE, 6X16	4
		16	95701-06020-00	BOLT, FLANGE, 6X20	2

F-22
WINKERS



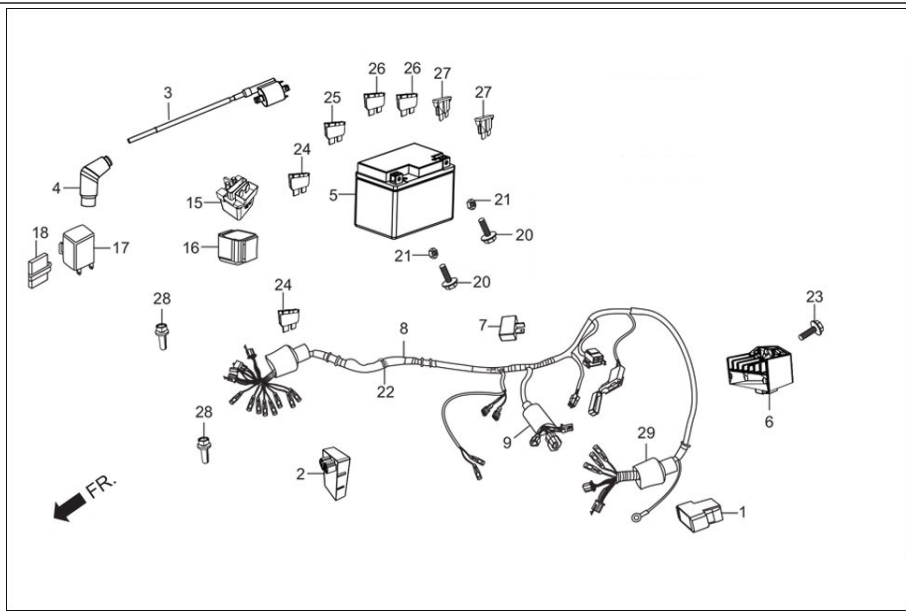
Service Item	F.R.T.	Group Number: F-22 Model :: Dawn 125 (Feb, 2016)			
		Ref No.	Part Number	Description	Req.
* WINKER ASSY, R/L FR (ADD 01 FOR EACH)	0.2 --	1	3340B-AAG-401	WINKER ASSY. R FRONT(W/O BULB)	1
(INC RELATIVE PART)	--	2	33401-KTR-901	BASE WINKER R	2
* WINKER ASSY, R/L RR (ONE OR ALL)	0.3 --	3	33403-KTR-901	LENS COMP., R WINKER	1
(INC RELATIVE PART)	--	4	33406-KTR-901	SEAL, GASKET.	4
(EXC RELATED PARTS BELOW)	--	5	33415-AAG-401	SOCKET COMP., R. FR. WINKER	1
* BULB, WINKER	0.1	6	33453-KTR-901	LENS COMP., L WINKER	1
* WHEN SERVICING COMP, UNIT, (FRT IS 02)	-- --	7	3345B-AAG-401	WINKER ASSY L FRONT(W/O BULB)	1
		8	33451-KTR-901	BASE WINKER L	2
		9	33465-AAG-401	SOCKET COMP., L. WINKER	1
		10	33491-KAF-000	STAY COMP., WINKER	4
		11	3360B-AAG-401	WINKER ASSY R REAR(W/O BULB)	1
		12	33603-KTR-901	LENS COMP., R WINKER	1
		13	33653-KTR-901	LENS COMP., L WINKER	1
		14	33615-AAG-401	SOCKET COMP., R. WINKER	1
		15	3365B-AAG-401	WINKER ASSY L REAR(W/O BULB)	1
		16	33665-AAG-401	SOCKET COMP., L. RR WINKER	1
		17	34904-AAM-301	BULB, WINKER LIGHT, (R10W)	4
		18	90380-MB2-000	SCREW, SPECIAL, 6 X 8	4
		19	93903-34480	SCREW, TAPPING, 4X 16	4
		20	93901-22310	SCREW, TAPPING, 3 X 12	8
		21	94050-10000	NUT, FLANGE, 10MM	4
		22	33650-KAF-000	COLLAR FR. WINKER LIGHT	2

F-23
TAIL LIGHT



Service Item	F.R.T.	Group Number: F-23 Model :: Dawn 125 (Feb, 2016)			
		Ref No.	Part Number	Description	Req.
*UNIT TAIL LIGHT	0.4	1	3370A-AAG-401	UNIT TAIL LIGHT(W/O BULB)	1
* LENS COMP, TAIL LIGHT	--	2	33702-KTC-A20	CUSHION TAIL LIGHT	2
* BASE COMP, TAIL LIGHT	--	3	33703-AAG-H21	LENS COMP TAIL LIGHT	1
* BULB, TAIL & STOP LIGHT	0.1	4	33704-KTC-910	BASE COMP., TAIL LIGHT	1
		5	33705-KTC-901	PACKING, LENS	1
		6	33705-KW7-900	RUBBER A TAIL LIGHT MOUNT	1
		7	34906-AAN-601	BULB TAIL & STOP (12V-21/5W)E-MARK	1
		8	61104-KM7-910	COLLAR,FAIRING	2
		9	92000-05022-0H	BOLT, HEX., 5 X 22	2
		10	93903-34480	SCREW, TAPPING, 4X 16	2

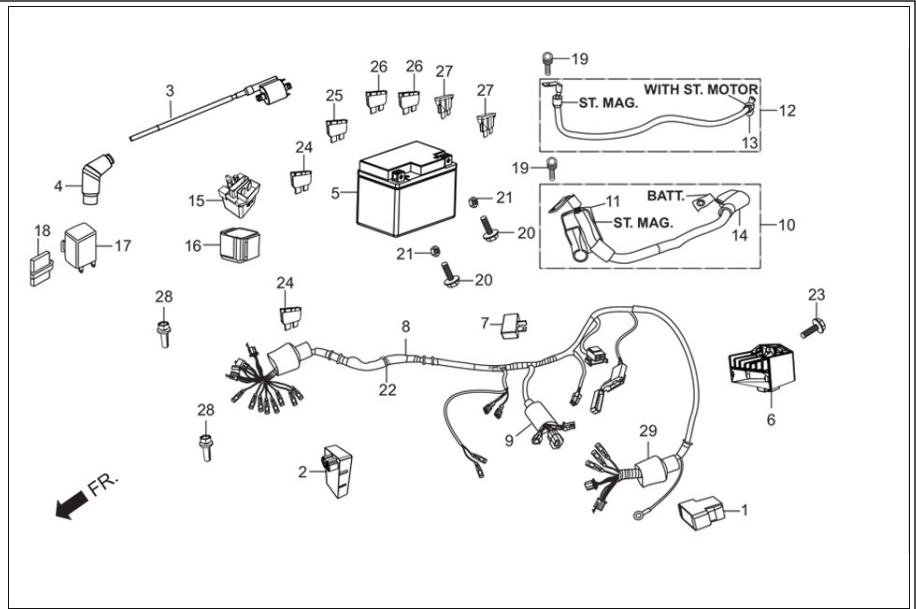
F-24-KICK WIRE HARNESS



Service Item	F.R.T.	Group Number: F-24-KICK Model :: Dawn 125 (Feb, 2016)			
		Ref No.	Part Number	Description	Req.
* UNIT COMP., C.D.I.	0.4	1	30401-KTE-910	CUSHION, C.D.I. UNIT	1
* COIL ASSY., IGNITION	--	2	30410-AAG-501	UNIT COMP CDI	1
* RECTIFIER COMP., REGULATOR	--	3	30500-AAG-H21	COIL ASSY IGN	1
* BATTERY ASSY.,	0.1	4	30700-KTC-A21	CAP ASSY., NOISE SUPPRESSOR	1
* RELAY COMP., WINKER	--	5	31500-KWS-801	BATTERY ASSY., MF3-BS	1
* HARNESS, WIRE	0.9	6	31600-AAN-202	REG. REC. COMP	1
			31600-KTR-A01	REGULATOR, RECTIFIER COMP.,	1
		7	31700-124-000	RECTIFIER ASSY., SILICON	1
		8	32100-AAG-410	HARNESS, WIRE	1
		9	32108-344-820	COVER, CONNECTOR	1
		15	35850-KR3-870	SWITCH ASSY., START MAG.	1
			35850-AAM-H01	SW ASSY. START MAG	1
		16	35856-KBG-007	RUBBER,SHOCK	1
		17	38301-KWA-931	RELAY COMP WINKER	1
		18	38306-GE7-000	SUSPENSION, WINKER RELAY	1
		20	90122-KVT-941	BOLT BATTERY TERMINAL	2
		21	90306-KVT-941	NUT BATTERY TERMINAL	2
		22	90672-KPL-901	BODY, CLIP	1
		23	95701-06016-00	BOLT, FLANGE, 6X16	1
		24	98200-31500	BLADE, FUSE, 15A	2
		25	98200-32000	BLADE, FUSE, 20A	1
		26	98200-30750	BLADE, FUSE, 7.5A	2
		27	98200-31000	BLADE, FUSE 10A	2
		28	90107-GZ4-670	BOLT, BREAK OFF	2
		29	32108-GW6-700	COVER ,CONNECTOR	1

F-24-SELF-WITH-VISOR

WIRE HARNESS

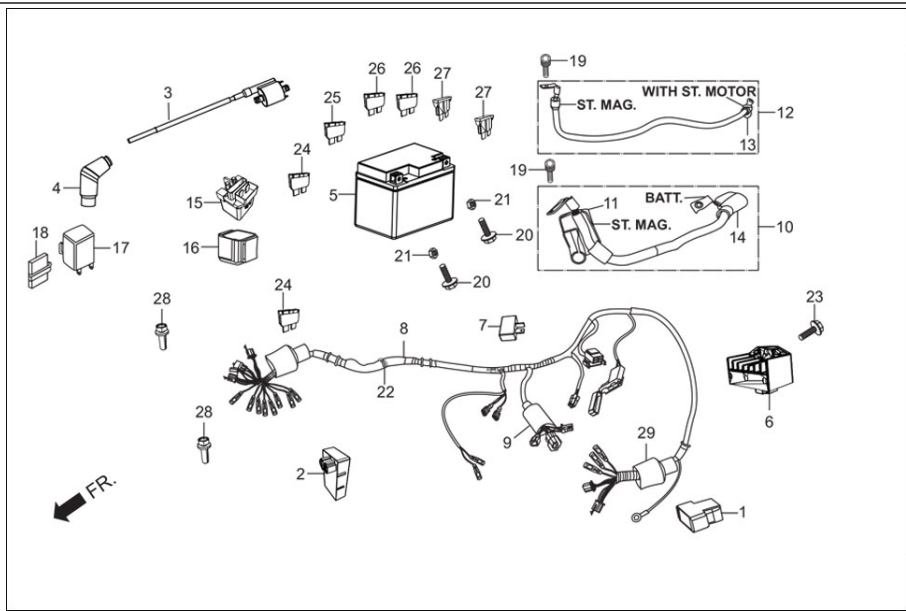


Service Item	F.R.T.
* UNIT COMP., C.D.I.	0.4
* COIL ASSY., IGNITION	--
* RECTIFIER COMP., REGULATOR	--
* BATTERY ASSY.,	0.1
* RELAY COMP., WINKER	--
* HARNESS, WIRE	0.9

Group Number: F-24-SELF-WITH-VISOR Model :: Dawn 125 (Feb, 2016)				
Ref No.	Part Number	Description	Req.	
1	30401-KTE-910	CUSHION, C.D.I. UNIT	1	
2	30410-AAG-501	UNIT COMP CDI	1	
3	30500-AAG-H21	COIL ASSY IGN	1	
4	30700-KTC-A21	CAP ASSY., NOISE SUPPRESSOR	1	
5	31500-KVT-801	BATTERY, ASSY.	1	
6	31600-AAN-202	REG. REC. COMP	1	
	31600-KTR-A01	REGULATOR, RECTIFIER COMP.,	1	
7	31700-124-000	RECTIFIER ASSY., SILICON	1	
8	32100-AAG-400	HARNESS, WIRE	1	
	32100-AAG-430	HARNESS, WIRE	1	
9	32108-344-820	COVER, CONNECTOR	1	
10	32401-KTR-A00	CABLE, ST. MAG. BATT.	1	
11	32406-MAK-000	COVER, ST.MAG.TERMINAL	1	
12	32410-KTR-A00	CABLE, START MOTOR	1	
13	32411-253-000	COVER, STARTING MOTOR	1	
14	32417-KTR-A10	COVER, BAT. TERMINAL	1	
15	35850-KR3-870	SWITCH ASSY., START MAG.	1	
	35850-AAM-H01	SW ASSY. START MAG	1	
16	35856-KBG-007	RUBBER,SHOCK	1	
17	38301-KWA-931	RELAY COMP WINKER	1	
18	38306-GE7-000	SUSPENSION, WINKER RELAY	1	
19	90111-MR5-000	BOLT, SOCKET, 5X9	2	
20	90122-KVT-941	BOLT BATTERY TERMINAL	2	
21	90306-KVT-941	NUT BATTERY TERMINAL	2	
22	90672-KPL-901	BODY, CLIP	1	
23	95701-06016-00	BOLT, FLANGE, 6X16	1	
24	98200-31500	BLADE, FUSE, 15A	2	
25	98200-32000	BLADE, FUSE, 20A	1	

26	98200-30750	BLADE, FUSE, 7.5A	2
27	98200-31000	BLADE, FUSE 10A	2
28	90107-GZ4-670	BOLT, BREAK OFF	2
29	32108-GW6-700	COVER ,CONNECTOR	1

F-24-SELF-WO-VISOR WIRE HARNESS

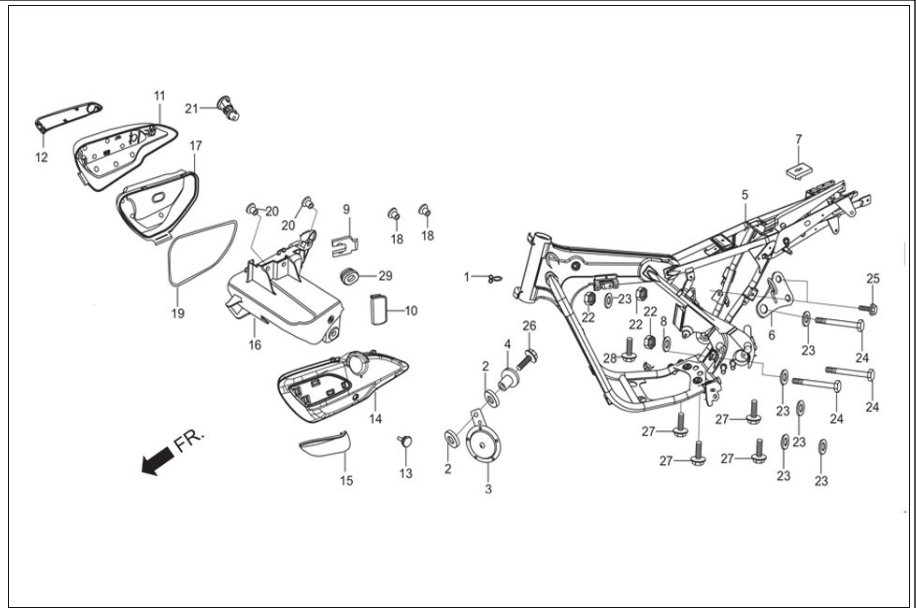


Service Item	F.R.T.
* UNIT COMP., C.D.I.	0.4
* COIL ASSY., IGNITION	--
* RECTIFIER COMP., REGULATOR	--
* BATTERY ASSY.,	0.1
* RELAY COMP., WINKER	--
* HARNESS, WIRE	0.9

Group Number: F-24-SELF-WO-VISOR Model :: Dawn 125 (Feb, 2016)				
Ref No.	Part Number	Description	Req.	
1	30401-KTE-910	CUSHION, C.D.I. UNIT	1	
2	30410-AAG-501	UNIT COMP CDI	1	
3	30500-AAG-H21	COIL ASSY IGN	1	
4	30700-KTC-A21	CAP ASSY., NOISE SUPPRESSOR	1	
5	31500-KVT-801	BATTERY, ASSY.	1	
6	31600-AAN-202	REG. REC. COMP	1	
	31600-KTR-A01	REGULATOR, RECTIFIER COMP.,	1	
7	31700-124-000	RECTIFIER ASSY., SILICON	1	
8	32100-AAG-400	HARNESS, WIRE	1	
9	32108-344-820	COVER, CONNECTOR	1	
10	32401-KTR-A00	CABLE, ST. MAG. BATT.	1	
11	32406-MAK-000	COVER, ST.MAG.TERMINAL	1	
12	32410-KTR-A00	CABLE, START MOTOR	1	
13	32411-253-000	COVER, STARTING MOTOR	1	
14	32417-KTR-A10	COVER, BAT. TERMINAL	1	
15	35850-KR3-870	SWITCH ASSY., START MAG.	1	
	35850-AAM-H01	SW ASSY. START MAG	1	
16	35856-KBG-007	RUBBER,SHOCK	1	
17	38301-KWA-931	RELAY COMP WINKER	1	
18	38306-GE7-000	SUSPENSION, WINKER RELAY	1	
19	90111-MR5-000	BOLT, SOCKET, 5X9	2	
20	90122-KVT-941	BOLT BATTERY TERMINAL	2	
21	90306-KVT-941	NUT BATTERY TERMINAL	2	
22	90672-KPL-901	BODY, CLIP	1	
23	95701-06016-00	BOLT, FLANGE, 6X16	1	
24	98200-31500	BLADE, FUSE, 15A	2	
25	98200-32000	BLADE, FUSE, 20A	1	
26	98200-30750	BLADE, FUSE, 7.5A	2	

27	98200-31000	BLADE, FUSE 10A	2
28	90107-GZ4-670	BOLT, BREAK OFF	2
29	32108-GW6-700	COVER ,CONNECTOR	1

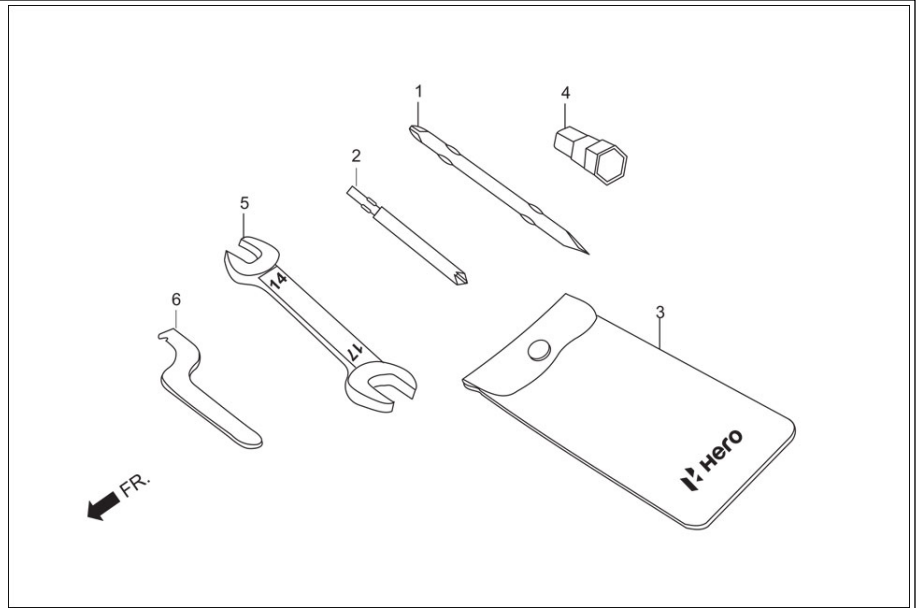
F-25
FRAME BODY/UTILITY BOX



Service Item	F.R.T.	Group Number: F-25 Model :: Dawn 125 (Feb, 2016)			
		Ref No.	Part Number	Description	Req.
* BODY COMP, FRAME	5.0	1	17369-198-770	CLIP BREATHER TUBE	1
* UTILITY BOX COMP, (INC RELATIVE PART)	--	2	33714-KL3-620	RUBBER, TAIL LIGHT	2
	--	3	38110-AAN-601	HORN COMP	1
		4	38117-KFE-701	COLLAR, HORN SET	1
		5	50100-AAG-400	FRAME BODY COMP.,	1
		6	50211-KTR-A00	BRACKET, ENGINE HANGER	1
		7	50225-KTC-900	RUBBER, SEAT CUSHION	1
		8	61107-KK6-000	WASHER, 6MM	1
		9	75581-673-000	SET SPRING, LOCK KEY	1
		10	83511-KTC-900	COVER, UTILITY BOX KEY	1
		11	83512-KTC-A20	COVER, R UTILITY BOX	1
		12	83513-AAG-400	ORNAMENT LID R. UTILITY BOX	1
		13	83514-KTC-A20	CAP HOLE	1
		14	83515-AAG-000	COVER L UTILITY BOX	1
		15	83516-AAG-400	ORNAMENT LID L. UTILITY BOX	1
		16	83517-KTC-A20	UTILITY BOX COMP.,	1
		17	83518-KTC-A20	COVER,R INNER UTILITY BOX	1
		18	83518-KVH-900	COLLAR, UTILITY BOX	2
		19	83519-KTC-A20	SEAL, UTILITY BOX	1
		20	83520-KTC-900	COLLAR, UTILITY BOX	2
		21	83550-KTC-H01	LOCK SIDE COVER	1
		22	94030-10000	NUT HEX., 10MM	3
		23	94101-10000	WASHER, PLAIN, 10 MM	6
		24	95301-10110-00	BOLT, HEX., 10 X 110	3
		25	90121-AAD-500	BOLT FLANGE 8 X 16	2
		26	95701-06020-07	BOLT, FLANGE, 6 X 20	1
		27	95701-08016-00	BOLT, FLANGE, 8X16	4
		28	95701-06016-07	BOLT, FLANGE, 6 X 16	1

29	83551-300-000	GROMMET, AIR CLEANER CASE	1
----	---------------	---------------------------	---

F-26 TOOLS



Service Item

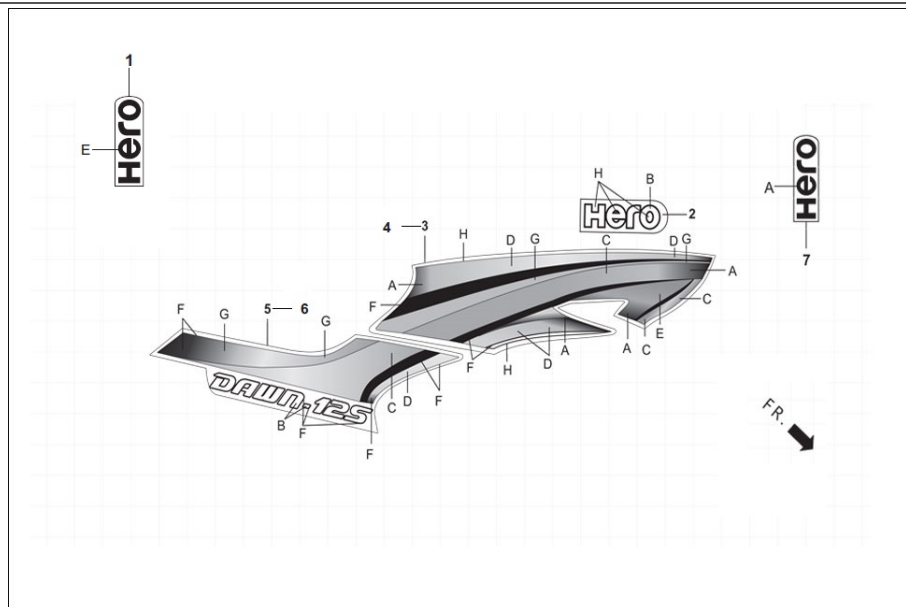
F.R.T.

Group Number: F-26 Model :: Dawn 125 (Feb, 2016)

Ref No.	Part Number	Description	Req.
1	89102-KTC-900	DRIVER NO. 2, PLUS-MINUS	1
2	89102-AAC-000	NO.3 CROSS POINT SCREW DRIVER	1
3	89216-AAD-H00	TOOL BAG	1
4	89216-KTC-900	WRENCH, SPARKING PLUG	1
5	99001-14170	SPANNER, 14 X 17	1
6	99007-45000	PIN, SPANNER	1

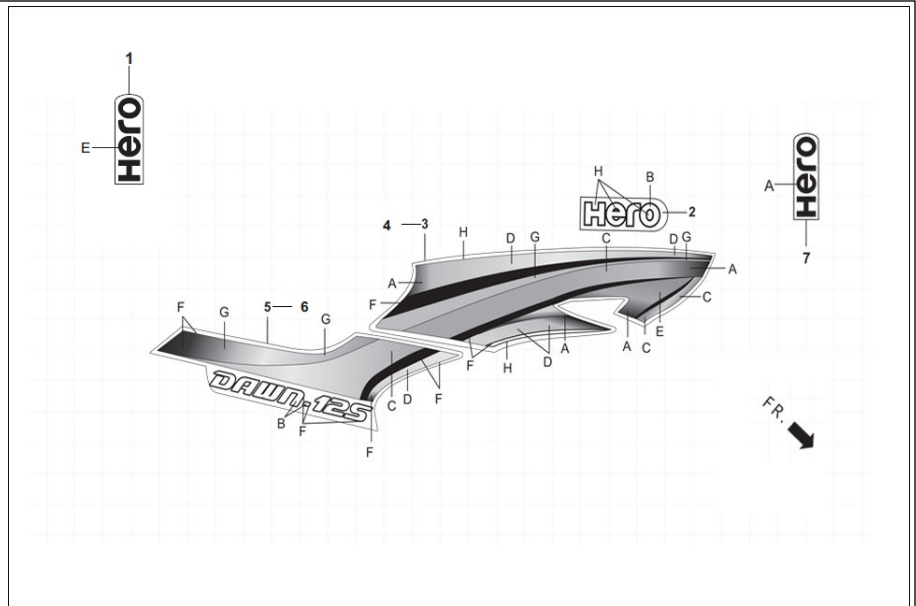
F-27-WITH-VISOR

STRIPES/MARKS



Service Item	F.R.T.	Group Number: F-27-WITH-VISOR Model :: Dawn 125 (Feb, 2016)			
		Ref No.	Part Number	Description	Req.
		1	77238-AAG-H200	MARK CENTER RR.COWL	1
		2	86171-AAG-400R	MARK HERO R FUEL TANK (TYPE-1)	1
			86171-AAG-400S	MARK HERO R FUEL TANK (TYPE-2)	1
		3	86173-AAG-400R	STRIPE R FUEL TANK (TYPE-1)	1
			86173-AAG-400S	STRIPE R FUEL TANK (TYPE-2)	1
			86173-AAG-400T	STRIPE R FUEL TANK (TYPE-3)	1
			86173-AAG-400U	STRIPE R FUEL TANK (TYPE-4)	1
		4	86174-AAG-400R	STRIPE L FUEL TANK (TYPE-1)	1
			86174-AAG-400S	STRIPE L FUEL TANK (TYPE-2)	1
			86174-AAG-400T	STRIPE L FUEL TANK (TYPE-3)	1
			86174-AAG-400U	STRIPE L FUEL TANK (TYPE-4)	1
		5	86831-AAG-400R	STRIPE R SIDE COVER(TYPE-1)	1
			86831-AAG-400S	STRIPE R SIDE COVER(TYPE-2)	1
			86831-AAG-400T	STRIPE R SIDE COVER(TYPE-3)	1
			86831-AAG-400U	STRIPE R SIDE COVER(TYPE-4)	1
		6	86832-AAG-400R	STRIPE L SIDE COVER (TYPE-1)	1
			86832-AAG-400S	STRIPE L SIDE COVER (TYPE-2)	1
			86832-AAG-400T	STRIPE L SIDE COVER (TYPE-3)	1
			86832-AAG-400U	STRIPE L SIDE COVER (TYPE-4)	1

F-27-WITH-VISOR STRIPES/MARKS

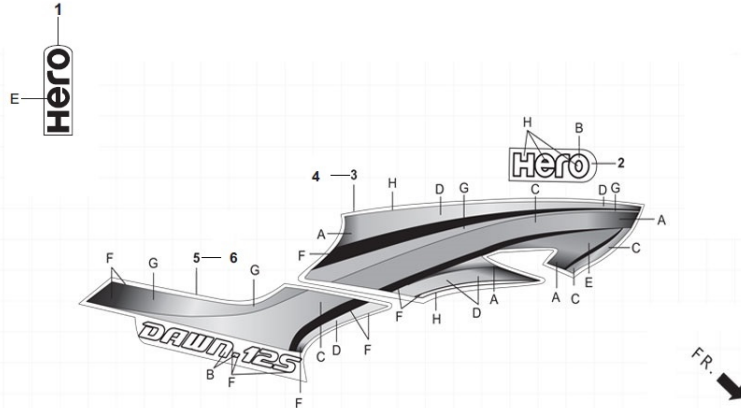


Service Item

F.R.T.

Group Number: F-27-WITH-VISOR Model :: Dawn 125 (Feb, 2016)

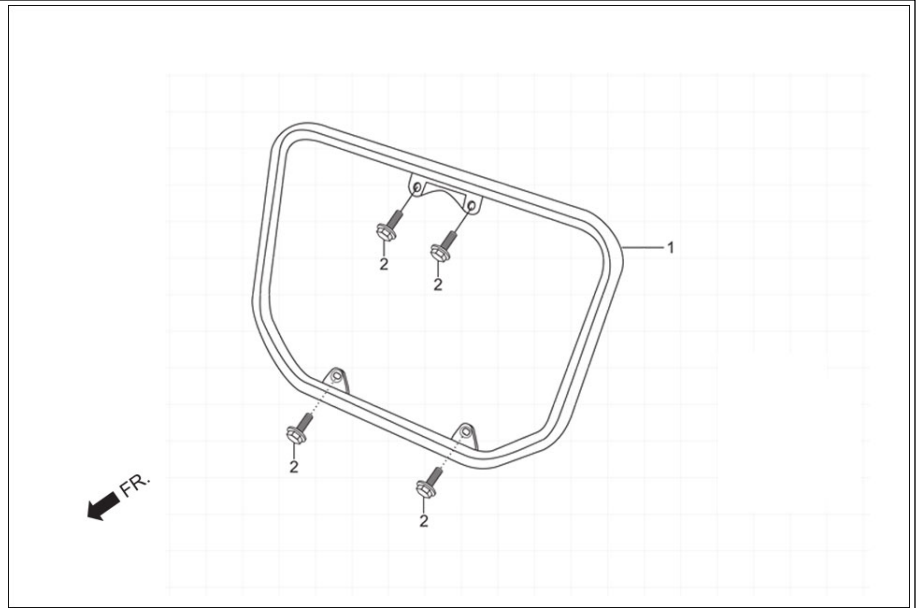
F-27-WO-VISOR STRIPES/MARKS



Service Item	F.R.T.	Group Number: F-27-WO-VISOR Model :: Dawn 125 (Feb, 2016)		
Ref No.	Part Number	Description	Req.	
1	77238-AAG-H200	MARK CENTER RR.COWL	1	
2	86171-AAG-400R	MARK HERO R FUEL TANK (TYPE-1)	1	
	86171-AAG-400S	MARK HERO R FUEL TANK (TYPE-2)	1	
3	86173-AAG-400R	STRIPE R FUEL TANK (TYPE-1)	1	
	86173-AAG-400S	STRIPE R FUEL TANK (TYPE-2)	1	
	86173-AAG-400T	STRIPE R FUEL TANK (TYPE-3)	1	
	86173-AAG-400U	STRIPE R FUEL TANK (TYPE-4)	1	
4	86174-AAG-400R	STRIPE L FUEL TANK (TYPE-1)	1	
	86174-AAG-400S	STRIPE L FUEL TANK (TYPE-2)	1	
	86174-AAG-400T	STRIPE L FUEL TANK (TYPE-3)	1	
	86174-AAG-400U	STRIPE L FUEL TANK (TYPE-4)	1	
5	86831-AAG-400R	STRIPE R SIDE COVER(TYPE-1)	1	
	86831-AAG-400S	STRIPE R SIDE COVER(TYPE-2)	1	
	86831-AAG-400T	STRIPE R SIDE COVER(TYPE-3)	1	
	86831-AAG-400U	STRIPE R SIDE COVER(TYPE-4)	1	
6	86832-AAG-400R	STRIPE L SIDE COVER (TYPE-1)	1	
	86832-AAG-400S	STRIPE L SIDE COVER (TYPE-2)	1	
	86832-AAG-400T	STRIPE L SIDE COVER (TYPE-3)	1	
	86832-AAG-400U	STRIPE L SIDE COVER (TYPE-4)	1	
7	77238-AAM-300	MARK, WIND SCREEN (TYPE-1)	1	

F-28

GUARD ENGINE

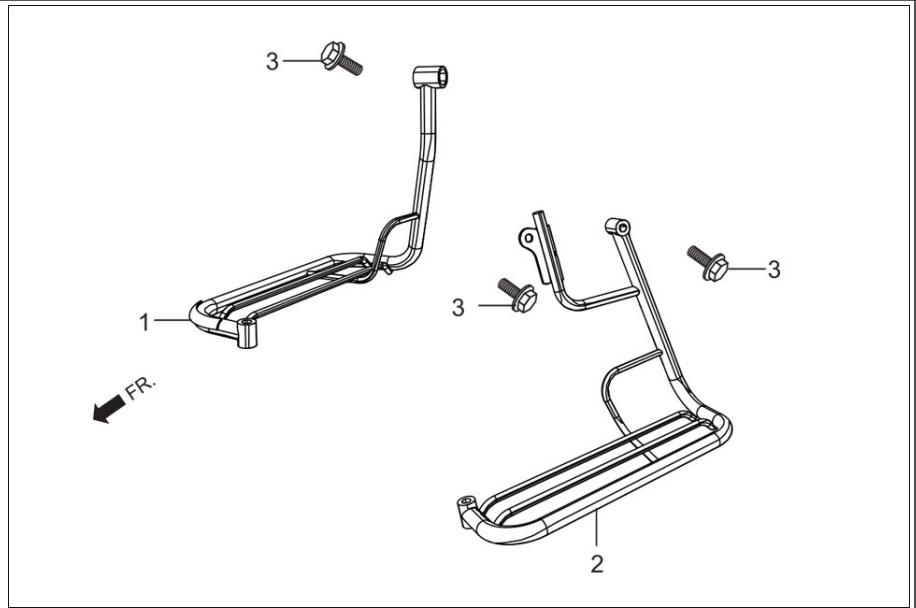


Service Item	F.R.T.
* GUARD, ENGINE	--
* GUARD, ENGINE	--

Group Number: F-28 Model :: Dawn 125 (Feb, 2016)

Ref No.	Part Number	Description	Req.
1	50803-KTC-900	GUARD, ENGINE	1
2	95701-08016-00	BOLT, FLANGE, 8X16	4

F-29
GUARD SARI

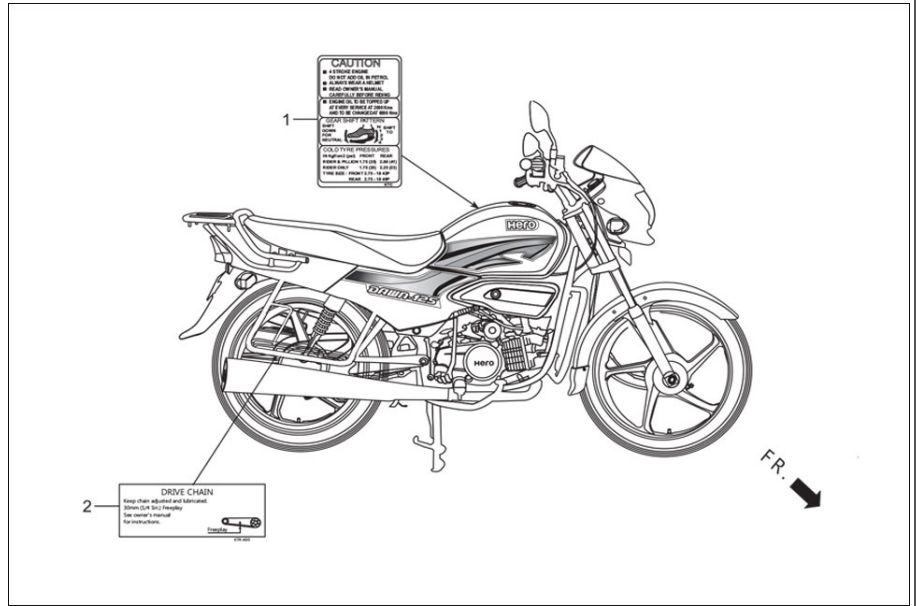


Service Item	F.R.T.
* GUARD, SARI SUB ASSY	--

Group Number: F-29 **Model ::** Dawn 125 (Feb, 2016)

Ref No.	Part Number	Description	Req.
1	51102-AAG-000	STEP COMP R P DOUBLE	1
2	51202-AAG-000	STEP COMP L P DOUBLE	1
3	95701-08016-00	BOLT, FLANGE, 8X16	3

F-30
CAUTION LABEL



Service Item	F.R.T.	Group Number: F-30 Model :: Dawn 125 (Feb, 2016)		
Ref No.	Part Number	Description	Req.	
1	87501-AAG-H00	MARK CAUTION ASSY	1	
2	87507-KPH-740	LEBEL, DRIVE CHAIN	1	

PARTS INDEX

PART NO	BLOCK	PART NO	BLOCK
2830A-KTR-840	F-17	14100-KTC-900	E-3
3310B-AAJ-H02	F-1-WITH-VISOR	14311-KPH-900	E-9
3310B-AAJ-H02	F-1-WO-VISOR	14321-AAG-400	E-4
3340B-AAG-401	F-22	14401-AAG-00099	E-4
3345B-AAG-401	F-22	14430-KTC-900	E-3
3360B-AAG-401	F-22	14451-KTC-900	E-3
3365B-AAG-401	F-22	14452-KTC-900	E-3
3370A-AAG-401	F-23	14510-KTC-901	E-4
6130A-AAM-300	F-1-WITH-VISOR	14515-KTC-901	E-4
6130A-KST-940	F-1-WO-VISOR	14520-KTC-902	E-4
7720A-AAG-000	F-12	14560-KSP-910	E-4
11100-AAG-400	E-8-KICK	14610-KPH-900	E-4
11100-AAG-400	E-8-SELF	14711-KTC-900	E-3
11133-KPH-900	E-5	14721-KTC-900	E-3
11200-AAG-410	E-8-KICK	14751-KPH-900	E-3
11200-KTR-H90	E-8-SELF	14771-GB4-680	E-3
11208-KTC-900	E-9	14775-KFM-900	E-3
11215-KTC-901	E-8-KICK	14776-KPH-900	E-3
11215-KTC-901	E-8-SELF	14781-MA6-000	E-3
11216-KTC-901	E-8-KICK	15100-KTC-900	E-8A
11216-KTC-901	E-8-SELF	15341-KTC-900	E-9
11217-KTC-901	E-8-KICK	15421-035-010	E-8A
11217-KTC-901	E-8-SELF	15431-KTC-901	E-6
11330-AAG-400	E-5	15431-KTC-901	E-6A
11341-AAG-410	E-7-KICK	15441-KTC-900A	E-5
11341-AAG-400	E-7-SELF	15441-KTC-900	E-6
11360-KTR-H00	E-7-KICK	15441-KTC-900A	E-6
11360-KTR-H00	E-7-SELF	15441-KTC-900	E-6A
11394-KPH-901	E-5	15441-KTC-900A	E-6A

11394-AAG-101	E-8-KICK	15441-KTC-900A	E-10
11394-AAG-101	E-8-SELF	15611-KTC-900	E-5
11395-KTC-901	E-7-KICK	15661-KTC-900	E-5
11395-AAG-101	E-7-KICK	16010-KWS-901	E-13
11395-KPH-901	E-7-SELF	16012-KTC-A21	E-13
11395-AAG-101	E-7-SELF	16013-KRB-901	E-13
12100-KTR-H80	E-2	16014-KTR-A01	E-13
12191-AAG-101	E-1	16015-KTR-A01	E-13
12191-KPH-901	E-2	16016-KPH-651	E-13
12200-AAG-400	E-1	16022-KTR-A01	E-13
12209-AAN-410	E-3	16028-KTT-901	E-13
12211-KPH-900	E-3	16037-KPH-901	E-13
12213-KSP-910	E-1	16075-KTC-901	E-13
12237-KPH-305	E-1	16076-KPL-901	E-13
12251-KPH-901	E-1	16100-AAG-001	E-13
12341-KTR-H80	E-1	16118-KTR-A01	E-13
12361-KTR-A00	E-1	16148-KPL-901	E-13
12395-KPH-901	E-1	16155-KRS-861	E-13
12395-AAG-101	E-1	16163-KWS-901	E-13
13000-AAG-100	E-9	16165-KTR-A01	E-13
13011-KTC-305	E-9	16199-KCP-J01	E-13
13021-KTC-305	E-9	16201-KTR-A00	E-1
13031-KTC-305	E-9	16211-KTC-900	E-1
13041-KTC-305	E-9	16236-KTC-900	E-7-KICK
13051-KTC-305	E-9	16236-KTC-900	E-7-SELF
13101-KTC-900	E-9	16950-AAG-400099	F-13
13102-KTC-305	E-9	16955-AAG-000	F-13
13103-KTC-305	E-9	17110-AAG-400	E-1
13104-KTC-305	E-9	17210-KWA-840	F-15
13105-KTC-305	E-9	17211-AAG-400	F-15

13111-087-000	E-9	17212-AAG-400	F-15
13115-001-000	E-9	17213-AAG-400	F-15
13201-KFL-850	E-9	17214-KWA-840	F-15
13322-KTC-900	E-9	17218-KTC-900	F-15
13381-KPH-900	E-9	17219-KTC-900	F-15

PART NO	BLOCK	PART NO	BLOCK
17220-KTC-900H	F-15	23431-KPH-900	E-10
17221-KA4-300	F-16	23441-KTC-901	E-10
17225-KWA-840	F-15	23451-KTC-901	E-10
17234-KTC-900	F-15	23461-KTC-901	E-10
17234-KCC-940	F-15	23471-KTC-902	E-10
17235-KTC-900	F-15	23481-KTC-902	E-10
17251-KTC-900	F-15	23801-GF6-000	E-10
17253-KTC-900	F-15	23802-GN5-910	E-10
17365-KTC-900	F-15	24211-KTC-900	E-12
17369-198-770	F-25	24212-KTC-900	E-12
17505-AAG-400R	F-13	24241-KPH-900	E-12
17505-AAG-400S	F-13	24301-AAN-C00	E-12
17505-AAG-400T	F-13	24410-KTC-900	E-12
17505-AAG-400U	F-13	24421-KTC-900	E-12
17512-KCC-900	F-12	24430-KPH-901	E-12
17517-KTC-A20	F-13	24435-KTC-900	E-12
17518-KTC-A20	F-13	24610-AAN-C00	E-12
17611-KTR-A00	F-13	24639-KPG-T00	E-12
17613-KTR-A00	F-13	24641-KTC-900	E-12
17620-KST-H61	F-13	24651-KTC-900	E-12
17681-KTC-900	F-13	24652-KPH-900	E-12
17910-KTR-A00	F-3-KICK	24701-AAG-400	F-17
17910-KTR-A00	F-3-SELF	28110-KTC-921	E-7A-KICK
18291-KTR-A00	F-16	28110-KTC-921	E-7A-SELF
18345-KST-940	F-16	28120-KTR-A00A	E-7A-KICK
18350-AAG-000	F-16	28120-KTR-A00A	E-7A-SELF
18351-KTR-A20	F-16	28131-KTC-920	E-7A-KICK
18651-KST-900	F-15	28131-KTC-920	E-7A-SELF
22100-AAG-000	E-6	28132-KPH-900	E-7A-KICK

22100-AAG-501	E-6A	28132-KPH-900	E-7A-SELF
22115-KPG-T00	E-6	28133-KPH-900	E-7A-KICK
22115-KPG-T00	E-6A	28133-KPH-900	E-7A-SELF
22116-KPG-T00	E-6	28211-KTC-900	E-11
22116-KPG-T00	E-6A	28221-KTC-900	E-11
22120-KTC-900	E-6	28251-KTC-900	E-11
22121-AAG-501	E-6A	28262-KTC-900	E-11
22201-KPG-T00	E-6	28265-KPH-900	E-11
22201-AAG-501	E-6A	28271-KPH-900	E-11
22205-KPG-T00	E-6	28281-KPH-900	E-11
22205-AAG-501	E-6A	28282-KPH-900	E-11
22321-KE8-000	E-6	28293-KAG-900	F-17
22321-AAG-501	E-6A	28302-KTR-840	F-17
22350-KPG-T00	E-6	28321-KTC-900	F-17
22350-AAG-501	E-6A	28333-124-000	F-17
22361-KPG-T00	E-6	30401-KTE-910	F-24-KICK
22361-AAG-501	E-6A	30401-KTE-910	F-24-SELF-WITH-VISOR
22401-KPH-900	E-6	30401-KTE-910	F-24-SELF-WO-VISOR
22401-AAG-501	E-6A	30410-AAG-501	F-24-KICK
22810-KTC-900	E-5	30410-AAG-501	F-24-SELF-WITH-VISOR
22815-166-000	E-5	30410-AAG-501	F-24-SELF-WO-VISOR
22821-KTC-940	E-5	30500-AAG-H21	F-24-KICK
22847-KCC-900	E-5	30500-AAG-H21	F-24-SELF-WITH-VISOR
22870-KTC-A00	F-3-KICK	30500-AAG-H21	F-24-SELF-WO-VISOR
22870-KTC-A00	F-3-SELF	30700-KTC-A21	F-24-KICK
22871-116-670	F-3-KICK	30700-KTC-A21	F-24-SELF-WITH-VISOR
22871-116-670	F-3-SELF	30700-KTC-A21	F-24-SELF-WO-VISOR
23123-KGH-900	E-6	31100-AAG-401	E-7A-KICK
23123-KGH-900	E-6A	31100-AAN-201	E-7A-SELF
23125-KTC-901	E-6	31110-AAG-401	E-7A-KICK

23125-KTC-901	E-6A	31110-AAN-201	E-7A-SELF
23211-KTR-940	E-10	31120-KTR-A01	E-7A-KICK
23221-KTR-940	E-10	31120-KTR-A01	E-7A-SELF
23415-KPH-900	E-10	31200-KTC-921	E-7B
23421-KTC-900	E-10	31201-KPT-A01	E-7B

PART NO	BLOCK	PART NO	BLOCK
31204-KG8-004	E-7B	33665-AAG-401	F-22
31205-KTC-921	E-7B	33702-KTC-A20	F-23
31206-KPH-881	E-7B	33703-AAG-H21	F-23
31207-MBE-008	E-7B	33704-KTC-910	F-23
31500-KWS-801	F-24-KICK	33705-KTC-901	F-23
31500-KVT-801	F-24-SELF-WITH-VISOR	33705-KW7-900	F-23
31500-KVT-801	F-24-SELF-WO-VISOR	33714-KL3-620	F-25
31600-AAN-202	F-24-KICK	33741-KST-920	F-21
31600-KTR-A01	F-24-KICK	34901-KSP-910	F-1-WITH-VISOR
31600-AAN-202	F-24-SELF-WITH-VISOR	34901-KSP-910	F-1-WITH-VISOR
31600-KTR-A01	F-24-SELF-WITH-VISOR	34901-KSP-910	F-1-WO-VISOR
31600-AAN-202	F-24-SELF-WO-VISOR	34901-KSP-910	F-1-WO-VISOR
31600-KTR-A01	F-24-SELF-WO-VISOR	34904-AAM-301	F-22
31700-124-000	F-24-KICK	34906-AAN-601	F-23
31700-124-000	F-24-SELF-WITH-VISOR	34908-KVE-900	F-2
31700-124-000	F-24-SELF-WO-VISOR	34909-KVE-900	F-2
31916-KPH-90099	E-1	35010-AAG-400	F-2
32100-AAG-410	F-24-KICK	35100-AAG-001	F-2
32100-AAG-400	F-24-SELF-WITH-VISOR	35106-KTC-900	F-2
32100-AAG-430	F-24-SELF-WITH-VISOR	35121-AAC-H30	F-2
32100-AAG-400	F-24-SELF-WO-VISOR	35122-AAC-H30	F-2
32108-344-820	F-24-KICK	35150-AAG-H20	F-3-SELF
32108-GW6-700	F-24-KICK	35200-KST-870	F-3-KICK
32108-344-820	F-24-SELF-WITH-VISOR	35200-KST-950	F-3-KICK
32108-GW6-700	F-24-SELF-WITH-VISOR	35200-KST-870	F-3-SELF
32108-344-820	F-24-SELF-WO-VISOR	35200-KST-950	F-3-SELF
32108-GW6-700	F-24-SELF-WO-VISOR	35330-413-003	F-3-KICK
32161-404-000	F-3-KICK	35330-413-003	F-3-SELF
32161-404-000	F-3-SELF	35340-KTC-A21	F-3-KICK

32401-KTR-A00	F-24-SELF-WITH-VISOR	35340-KTC-A21	F-3-SELF
32401-KTR-A00	F-24-SELF-WO-VISOR	35350-KTR-A00	F-18
32406-MAK-000	F-24-SELF-WITH-VISOR	35357-KCC-900	F-18
32406-MAK-000	F-24-SELF-WO-VISOR	35751-KPH-900	E-12
32410-KTR-A00	F-24-SELF-WITH-VISOR	35752-KRM-840	E-12
32410-KTR-A00	F-24-SELF-WO-VISOR	35759-KTR-A01	E-8-KICK
32411-253-000	F-24-SELF-WITH-VISOR	35759-KTR-A01	E-8-SELF
32411-253-000	F-24-SELF-WO-VISOR	35850-KR3-870	F-24-KICK
32417-KTR-A10	F-24-SELF-WITH-VISOR	35850-AAM-H01	F-24-KICK
32417-KTR-A10	F-24-SELF-WO-VISOR	35850-KR3-870	F-24-SELF-WITH-VISOR
32601-KTR-A00	E-7B	35850-AAM-H01	F-24-SELF-WITH-VISOR
32961-KPH-900	E-7A-KICK	35850-KR3-870	F-24-SELF-WO-VISOR
32961-KPH-900	E-7A-SELF	35850-AAM-H01	F-24-SELF-WO-VISOR
33101-KTN-921	F-1-WITH-VISOR	35856-KBG-007	F-24-KICK
33101-KTN-921	F-1-WO-VISOR	35856-KBG-007	F-24-SELF-WITH-VISOR
33108-KRY-900	F-1-WITH-VISOR	35856-KBG-007	F-24-SELF-WO-VISOR
33108-KGA-900	F-1-WITH-VISOR	37100-AAG-401	F-2
33108-KRY-900	F-1-WO-VISOR	37210-KST-A21	F-2
33108-KGA-900	F-1-WO-VISOR	37215-MB6-830	F-2
33112-KTN-921	F-1-WITH-VISOR	37243-323-000	F-17
33112-KTN-921	F-1-WO-VISOR	37300-AAG-401	F-2
33120-AAJ-H02	F-1-WITH-VISOR	37610-KST-951	F-2
33120-AAJ-H02	F-1-WO-VISOR	37612-KCC-900	F-2
33401-KTR-901	F-22	37614-KCC-900	F-2
33403-KTR-901	F-22	37619-KST-951	F-2
33406-KTR-901	F-22	37800-KTC-A21	F-13
33415-AAG-401	F-22	38110-AAN-601	F-25
33451-KTR-901	F-22	38117-KFE-701	F-25
33453-KTR-901	F-22	38301-KWA-931	F-24-KICK
33465-AAG-401	F-22	38301-KWA-931	F-24-SELF-WITH-VISOR

33491-KAF-000	F-22	38301-KWA-931	F-24-SELF-WO-VISOR
33603-KTR-901	F-22	38306-GE7-000	F-24-KICK
33615-AAG-401	F-22	38306-GE7-000	F-24-SELF-WITH-VISOR
33650-KAF-000	F-22	38306-GE7-000	F-24-SELF-WO-VISOR
33653-KTR-901	F-22	40510-KTR-940Z	F-19

PART NO	BLOCK	PART NO	BLOCK
40520-KTR-940	F-19	44712-KTC-902	F-9-SPOKE
40530-KCC-900	F-19	44712-KTC-902	F-11-CAST
40531-205-010	F-19	44712-KTC-902	F-11-SPOKE
40543-KTR-900	F-11-CAST	44805-KTC-900	F-8-CAST
40543-KTR-900	F-11-SPOKE	44805-KTC-900	F-8-SPOKE
40543-KTR-900	F-19	44806-KST-900	F-8-CAST
40545-001-000	F-19	44806-KST-900	F-8-SPOKE
40546-KPG-T00	F-19	44809-170-000	F-8-CAST
40546-KTR-900	F-19	44809-170-000	F-8-SPOKE
41201-KTC-900	F-11-CAST	44810-KTC-900	F-8-CAST
41201-KTC-900	F-11-SPOKE	44810-KTC-900	F-8-SPOKE
41241-KTC-900	F-11-CAST	44830-AAJ-000	F-2
41241-KTC-900	F-11-SPOKE	44831-KST-940	F-2
42301-KTR-700	F-11-CAST	45010-AAC-030	F-8-CAST
42301-KTR-700	F-11-SPOKE	45010-AAD-000	F-8-SPOKE
42303-KTR-900	F-11-CAST	45125-AAH-F0099	F-8-CAST
42303-KTR-900	F-11-SPOKE	45125-AAH-F0099	F-8-SPOKE
42304-KTC-900	F-11-CAST	45125-AAH-F0099	F-10-KICK-SPOKE
42304-KTC-900	F-11-SPOKE	45125-AAH-F0099	F-10-SELF-CAST
42313-198-900	F-10-KICK-SPOKE	45125-AAH-F0099	F-10-SELF-SPOKE
42313-198-900	F-10-SELF-CAST	45133-KCC-900	F-8-CAST
42313-198-900	F-10-SELF-SPOKE	45133-KCC-900	F-8-SPOKE
42601-AAC-H00	F-11-CAST	45133-KCC-900	F-10-KICK-SPOKE
42601-KTR-940Z	F-11-SPOKE	45133-KCC-900	F-10-SELF-CAST
42603-198-900	F-9-SPOKE	45133-KCC-900	F-10-SELF-SPOKE
42603-198-900	F-11-SPOKE	45134-250-000	F-8-CAST
42611-KTC-900	F-11-CAST	45134-250-000	F-8-SPOKE
42611-KTC-900	F-11-SPOKE	45134-250-000	F-10-KICK-SPOKE
42615-198-900	F-11-CAST	45134-250-000	F-10-SELF-CAST

42615-198-900	F-11-SPOKE	45134-250-000	F-10-SELF-SPOKE
42620-KTR-700	F-11-CAST	45141-KTC-900	F-8-CAST
42620-KTR-940	F-11-SPOKE	45141-KTC-900	F-8-SPOKE
42711-KST-940	F-11-CAST	45145-096-650	F-8-CAST
42711-KST-940	F-11-SPOKE	45145-096-650	F-8-SPOKE
42713-KFN-850	F-9-SPOKE	45145-KFM-900	F-10-KICK-SPOKE
42713-KFN-850	F-11-SPOKE	45145-KFM-900	F-10-SELF-CAST
43100-KTC-900	F-10-KICK-SPOKE	45145-KFM-900	F-10-SELF-SPOKE
43100-KTC-900	F-10-SELF-CAST	45410-KTR-A20	F-8-CAST
43100-KTR-700	F-10-SELF-CAST	45410-KTR-A20	F-8-SPOKE
43100-KTR-700	F-10-SELF-SPOKE	45435-GB2-720	F-8-CAST
43141-KTC-900	F-10-KICK-SPOKE	45435-GB2-720	F-8-SPOKE
43141-KTC-900	F-10-SELF-CAST	45450-KTR-A20	F-3-KICK
43141-KTC-900	F-10-SELF-SPOKE	45450-KTR-A20	F-3-SELF
43410-KCT-690	F-10-KICK-SPOKE	45451-KCC-900	F-6-SPOKE
43410-KCT-690	F-10-SELF-CAST	45451-KCC-900	F-6-WITH-VISOR
43410-KCT-690	F-10-SELF-SPOKE	45451-KCC-900	F-6-WO-VISOR
43431-KTR-900	F-19	46500-AAG-400	F-18
43434-286-000	F-10-KICK-SPOKE	46514-KCC-900	F-18
43434-286-000	F-10-SELF-CAST	46515-KB9-000	F-18
43434-286-000	F-10-SELF-SPOKE	50100-AAG-400	F-25
43451-KTC-900	F-18	50160-KTC-900	F-17
44301-KTR-700	F-9-CAST	50181-KTR-940	F-16
44301-KTR-700	F-9-SPOKE	50211-KTR-A00	F-25
44311-KRC-900	F-9-CAST	50225-KTC-900	F-25
44311-KRC-900	F-9-SPOKE	50301-KTR-900	F-5
44601-AAC-H00	F-9-CAST	50500-KTR-A00	F-18
44601-KTR-940Z	F-9-SPOKE	50505-KCC-900	F-16
44620-400-000	F-9-CAST	50512-KTC-900	F-18
44620-198-900	F-9-SPOKE	50530-KCC-900	F-17

44701-AAC-H00	F-9-SPOKE	50603-KB4-000	F-17
44701-AAC-H00	F-11-SPOKE	50614-413-000	F-17
44711-KST-940	F-9-CAST	50618-KCC-000	F-17
44711-KST-940	F-9-SPOKE	50619-KCC-000	F-17
44712-KTC-902	F-9-CAST	50619-425-010	F-17

PART NO	BLOCK	PART NO	BLOCK
50661-AAJ-H00	F-17	53140-KTC-900	F-3-KICK
50701-AAG-000	F-17	53140-KTC-900	F-3-SELF
50702-AAG-000	F-17	53166-KTC-900	F-3-KICK
50803-KTC-900	F-28	53166-KTC-900	F-3-SELF
51102-AAG-000	F-29	53167-GE4-000	F-3-KICK
51202-AAG-000	F-29	53168-166-000	F-3-KICK
51400-KWA-941	F-7-WITH-VISOR	53168-166-000	F-3-SELF
51400-KWA-941	F-7-WO-VISOR	53171-KCC-900	F-3-KICK
51401-KST-941	F-7-WITH-VISOR	53171-KCC-900	F-3-SELF
51401-KST-941	F-7-WO-VISOR	53172-KTC-920	F-3-KICK
51403-KCC-900	F-7-WITH-VISOR	53172-KTC-900	F-3-KICK
51403-447-730	F-7-WITH-VISOR	53172-KTC-920	F-3-SELF
51403-KCC-900	F-7-WO-VISOR	53172-KTC-900	F-3-SELF
51403-447-730	F-7-WO-VISOR	53173-AAH-000	F-3-KICK
51410-KWA-941	F-7-WITH-VISOR	53173-AAH-000	F-3-SELF
51410-KWA-941	F-7-WO-VISOR	53175-AAF-H00	F-3-KICK
51412-KAG-900	F-7-WITH-VISOR	53175-AAF-H00	F-3-SELF
51412-KWA-941	F-7-WITH-VISOR	53178-AAF-H00	F-3-KICK
51412-KAG-900	F-7-WO-VISOR	53178-AAF-H00	F-3-SELF
51412-KWA-941	F-7-WO-VISOR	53179-KTC-900	F-3-KICK
51420-KWA-941	F-7-WITH-VISOR	53179-KTC-900	F-3-SELF
51420-KWA-941	F-7-WO-VISOR	53200-KTC-A20	F-5
51425-KST-901	F-7-WITH-VISOR	53208-AAH-000	F-4
51425-KST-901	F-7-WO-VISOR	53211-268-010	F-5
51432-KST-901	F-7-WITH-VISOR	53212-200-000	F-5
51432-KST-901	F-7-WO-VISOR	53214-200-000	F-5
51437-KVN-901	F-7-WITH-VISOR	53215-KTR-900	F-5
51437-KVN-901	F-7-WO-VISOR	53221-KTR-900	F-5
51440-KTR-901	F-7-WITH-VISOR	53222-KTR-900	F-5

51440-KTR-901	F-7-WO-VISOR	53230-KTR-940	F-4
51500-KWA-941	F-7-WITH-VISOR	61100-AAJ-H00	F-6-SPOKE
51500-KWA-941	F-7-WO-VISOR	61100-KTC-A20ZA	F-6-WITH-VISOR
51520-KWA-941	F-7-WITH-VISOR	61100-KTC-A20ZE	F-6-WITH-VISOR
51520-KWA-941	F-7-WO-VISOR	61100-KTC-A20ZF	F-6-WITH-VISOR
51601-KAG-900	F-7-WITH-VISOR	61100-AAJ-H00	F-6-WO-VISOR
51601-KAG-900	F-7-WO-VISOR	61100-KTC-A20ZA	F-6-WO-VISOR
51602-AAG-400	F-7-WITH-VISOR	61100-KTC-A20ZE	F-6-WO-VISOR
51602-AAG-410R	F-7-WO-VISOR	61100-KTC-A20ZF	F-6-WO-VISOR
51602-AAG-410S	F-7-WO-VISOR	61102-KTC-900	F-6-WITH-VISOR
51602-AAG-410T	F-7-WO-VISOR	61102-KTC-900	F-6-WO-VISOR
51602-AAG-410U	F-7-WO-VISOR	61103-KTR-940	F-6-WITH-VISOR
51606-AAG-400	F-7-WITH-VISOR	61103-KTR-940	F-6-WO-VISOR
51606-AAG-410R	F-7-WO-VISOR	61103-357-000	F-21
51606-AAG-410S	F-7-WO-VISOR	61104-KTR-940	F-6-WITH-VISOR
51606-AAG-410T	F-7-WO-VISOR	61104-KTR-940	F-6-WO-VISOR
51606-AAG-410U	F-7-WO-VISOR	61104-KM7-910	F-23
51622-KAG-900	F-7-WITH-VISOR	61105-KTC-900	F-6-SPOKE
51622-KAG-900	F-7-WO-VISOR	61105-KTC-900	F-6-WITH-VISOR
52101-KTC-900	F-19	61105-KTC-900	F-6-WO-VISOR
52110-KTR-940	F-19	61107-KK6-000	F-21
52147-KTC-900	F-19	61107-KK6-000	F-25
52170-KTR-900	F-19	61150-AAJ-000	F-6-SPOKE
52400-AAG-400	F-20	61150-AAJ-000	F-6-WITH-VISOR
52410-KTC-A21	F-20	61150-AAJ-000	F-6-WO-VISOR
52486-056-000	F-20	61301-AAG-400R	F-1-WITH-VISOR
52486-KAG-900	F-20	61301-AAM-300S	F-1-WITH-VISOR
52489-399-600	F-20	61301-AAG-400U	F-1-WITH-VISOR
52495-098-000	F-20	61302-471-000	F-1-WITH-VISOR
53100-KTC-900	F-4	61302-471-000	F-1-WO-VISOR

53132-124-000	F-4	61303-198-D00	F-1-WITH-VISOR
53133-198-900	F-4	61303-198-D00	F-1-WO-VISOR
53134-028-000	F-4	61304-KST-940	F-1-WITH-VISOR
53135-198-900	F-4	61304-KST-940	F-1-WO-VISOR
53136-198-900	F-4	61311-AAG-400	F-2

PART NO	BLOCK	PART NO	BLOCK
64100-AAM-300	F-1-WITH-VISOR	86174-AAG-400T	F-27-WITH-VISOR
75581-673-000	F-14	86174-AAG-400U	F-27-WITH-VISOR
75581-673-000	F-25	86174-AAG-400R	F-27-WO-VISOR
77200-AAG-400	F-12	86174-AAG-400S	F-27-WO-VISOR
77202-KCC-900	F-12	86174-AAG-400T	F-27-WO-VISOR
77202-KCC-900	F-21	86174-AAG-400U	F-27-WO-VISOR
77204-KCC-900	F-12	86831-AAG-400R	F-27-WITH-VISOR
77206-AAG-000	F-12	86831-AAG-400S	F-27-WITH-VISOR
77206-KCC-900	F-12	86831-AAG-400T	F-27-WITH-VISOR
77235-AAG-H20ZA	F-12	86831-AAG-400U	F-27-WITH-VISOR
77238-AAG-H200	F-27-WITH-VISOR	86831-AAG-400R	F-27-WO-VISOR
77238-AAG-H200	F-27-WO-VISOR	86831-AAG-400S	F-27-WO-VISOR
77238-AAM-300	F-27-WO-VISOR	86831-AAG-400T	F-27-WO-VISOR
77246-AAG-000R	F-12	86831-AAG-400U	F-27-WO-VISOR
77256-AAG-000R	F-12	86832-AAG-400R	F-27-WITH-VISOR
80100-AAG-000	F-21	86832-AAG-400S	F-27-WITH-VISOR
80101-443-000	F-2	86832-AAG-400T	F-27-WITH-VISOR
80151-KTC-900	F-21	86832-AAG-400U	F-27-WITH-VISOR
81200-AAG-000	F-12	86832-AAG-400R	F-27-WO-VISOR
83402-AAG-430	F-1-WITH-VISOR	86832-AAG-400S	F-27-WO-VISOR
83407-KTR-940	F-15	86832-AAG-400T	F-27-WO-VISOR
83500-AAG-400R	F-14	86832-AAG-400U	F-27-WO-VISOR
83500-AAG-400S	F-14	87501-AAG-H00	F-30
83500-AAG-400T	F-14	87507-KPH-740	F-30
83500-AAG-400U	F-14	88110-AAJ-500	F-3-KICK
83511-KTC-900	F-25	88110-AAJ-500	F-3-SELF
83512-KTC-A20	F-25	88120-AAJ-500	F-3-KICK
83513-AAG-400	F-25	88120-AAJ-500	F-3-SELF
83514-KTC-A20	F-25	89102-KTC-900	F-26

83515-AAG-000	F-25	89102-AAC-000	F-26
83516-AAG-400	F-25	89216-AAD-H00	F-26
83517-KTC-A20	F-25	89216-KTC-900	F-26
83518-KTC-A20	F-25	90001-KTC-900	E-8-KICK
83518-KVH-900	F-25	90001-KTC-900	E-8-SELF
83519-KTC-A20	F-25	90005-KY7-000	E-4
83520-KTC-900	F-25	90012-333-000R	E-3
83550-KTC-H01	F-14	90022-MG8-000	E-12
83550-KTC-H01	F-25	90031-KTC-900	E-8-KICK
83551-300-000	F-12	90031-KTC-900	E-8-SELF
83551-300-000	F-13	90032-KTC-900	E-8-KICK
83551-300-000	F-25	90032-KTC-900	E-8-SELF
83600-AAG-400R	F-14	90032-KST-950	F-2
83600-AAG-400S	F-14	90033-KTC-900	E-8-KICK
83600-AAG-400T	F-14	90033-KTC-900	E-8-SELF
83600-AAG-400U	F-14	90035-KST-900	F-2
84103-AAD-300	F-12	90050-KPH-900	E-6
84701-KTC-900	F-21	90050-KFL-850	E-6A
84701-P26-D00A	F-21	90071-MB0-000	E-7B
84702-KCC-900	F-12	90083-KVH-900	E-4
84702-KCC-900	F-21	90084-KTC-A20	E-7-KICK
86171-AAG-400R	F-27-WITH-VISOR	90084-KTC-A20	E-7-SELF
86171-AAG-400S	F-27-WITH-VISOR	90085-KTC-920	E-7A-KICK
86171-AAG-400R	F-27-WO-VISOR	90085-KTC-920	E-7A-SELF
86171-AAG-400S	F-27-WO-VISOR	90101-KST-900	F-6-SPOKE
86173-AAG-400R	F-27-WITH-VISOR	90101-KST-900	F-6-WITH-VISOR
86173-AAG-400S	F-27-WITH-VISOR	90101-KST-900	F-6-WO-VISOR
86173-AAG-400T	F-27-WITH-VISOR	90101-GE0-000	F-12
86173-AAG-400U	F-27-WITH-VISOR	90101-GE0-000	F-14
86173-AAG-400R	F-27-WO-VISOR	90101-KWA-830	F-15

86173-AAG-400S	F-27-WO-VISOR	90107-KST-940	F-16
86173-AAG-400T	F-27-WO-VISOR	90107-GN1-010	F-17
86173-AAG-400U	F-27-WO-VISOR	90107-GZ4-670	F-24-KICK
86174-AAG-400R	F-27-WITH-VISOR	90107-GZ4-670	F-24-SELF-WITH-VISOR
86174-AAG-400S	F-27-WITH-VISOR	90107-GZ4-670	F-24-SELF-WO-VISOR

PART NO	BLOCK	PART NO	BLOCK
90108-GN2-000	F-2	90407-259-000	E-8-SELF
90111-187-000	F-15	90412-187-000	E-10
90111-MR5-000	F-24-SELF-WITH-VISOR	90412-KPH-900	E-10
90111-MR5-000	F-24-SELF-WO-VISOR	90432-086-000	E-6
90114-310-000	F-3-KICK	90432-086-000	E-6A
90114-310-000	F-3-SELF	90435-HB3-000	E-12
90116-KAG-900	F-7-WITH-VISOR	90439-SB2-010	E-7A-KICK
90116-KAG-900	F-7-WO-VISOR	90439-SB2-010	E-7A-SELF
90117-065-000	F-4	90441-286-000	E-1
90118-383-000	F-19	90441-ME9-000	E-1
90121-AAD-500	F-25	90441-KA4-700	E-10
90122-KVT-941	F-24-KICK	90443-107-000	E-1
90122-KVT-941	F-24-SELF-WITH-VISOR	90452-KGH-900	E-10
90122-KVT-941	F-24-SELF-WO-VISOR	90452-KPH-900	E-11
90123-KST-941	F-7-WITH-VISOR	90454-KPH-900	E-11
90123-KRM-860	F-7-WITH-VISOR	90461-357-000	E-1
90123-KST-941	F-7-WO-VISOR	90461-KTC-900	E-10
90123-KRM-860	F-7-WO-VISOR	90461-GB4-770	E-10
90133-331-770	F-19	90463-KRM-840	E-5
90183-KTC-900	F-19	90501-GBL-730	E-6
90201-KST-900	F-3-KICK	90501-GBL-730	E-6A
90201-KST-900	F-3-SELF	90502-198-900	F-18
90206-001-000	E-3	90503-KTR-900	F-4
90231-087-010	E-6	90505-425-000	F-10-KICK-SPOKE
90231-KM7-700	E-6	90505-425-000	F-10-SELF-CAST
90231-087-010	E-6A	90505-425-000	F-10-SELF-SPOKE
90231-KM7-700	E-6A	90521-292-000	F-7-WITH-VISOR
90301-473-000	F-10-KICK-SPOKE	90521-292-000	F-7-WO-VISOR
90301-473-000	F-10-SELF-CAST	90544-439-930	F-7-WITH-VISOR

90301-473-000	F-10-SELF-SPOKE	90544-439-930	F-7-WO-VISOR
90302-KTE-911	F-10-KICK-SPOKE	90551-178-000	F-20
90302-KTE-911	F-10-KICK-SPOKE	90558-KTR-900	F-19
90302-KTE-911	F-10-SELF-CAST	90559-KTR-900	F-19
90302-KTE-911	F-10-SELF-CAST	90563-355-000	F-12
90302-KTE-911	F-10-SELF-SPOKE	90563-355-000	F-21
90302-KTE-911	F-10-SELF-SPOKE	90601-AAB-A00	E-10
90302-KBP-900	F-11-CAST	90601-GF5-730	F-7-WITH-VISOR
90302-KBP-900	F-11-SPOKE	90601-GF5-730	F-7-WO-VISOR
90302-KBP-900	F-19	90605-200-000	E-10
90304-AAH-000	F-4	90605-200-000	E-11
90304-GA6-000	F-4	90672-KPL-901	F-24-KICK
90304-KPH-900	F-16	90672-KPL-901	F-24-SELF-WITH-VISOR
90306-KST-942	F-9-CAST	90672-KPL-901	F-24-SELF-WO-VISOR
90306-KST-942	F-9-SPOKE	90702-GB6-910	E-3
90306-KTE-911	F-11-CAST	90702-GB6-910	E-5
90306-KTE-911	F-11-SPOKE	90702-GB6-910	E-7-KICK
90306-KST-942	F-19	90702-GB6-910	E-7-SELF
90306-KVT-941	F-24-KICK	90702-GB6-910	E-8A
90306-KVT-941	F-24-SELF-WITH-VISOR	90741-KFB-000	E-9
90306-KVT-941	F-24-SELF-WO-VISOR	90741-KGH-900	E-9
90307-001-000	F-11-CAST	90753-029-000	F-11-CAST
90307-001-000	F-11-SPOKE	90753-029-000	F-11-SPOKE
90309-357-000	F-11-CAST	90810-KCC-910	F-1-WITH-VISOR
90309-357-000	F-11-SPOKE	90851-AAG-100	F-12
90311-MT3-000	F-15	91001-KTC-900	E-9
90320-GC3-000	F-12	91002-KTC-901	E-9
90320-GC3-000	F-21	91007-KPH-901	E-5
90324-KCC-900	F-13	91071-KTC-900	E-7A-KICK
90325-KCC-900	F-13	91071-KTC-900	E-7A-SELF

90380-MB2-000	F-22	91101-AAC-H40	E-9
90381-KWA-940	F-14	91102-AAC-H40	E-9
90403-KPH-900	E-6	91103-AAC-H40	E-9
90403-AAG-501	E-6A	91105-KTC-900	E-3
90407-259-000	E-8-KICK	91204-MC7-003	E-5

PART NO	BLOCK	PART NO	BLOCK
91204-KPH-901	E-10	94001-10070-0S	F-3-SELF
91208-KPH-901	E-8-KICK	94001-05070-0S	F-3-SELF
91208-KPH-901	E-8-SELF	94001-08000-0S	F-10-KICK-SPOKE
91251-GK4-000	F-8-CAST	94001-08000-0S	F-10-SELF-CAST
91251-GK4-000	F-8-SPOKE	94001-08000-0S	F-10-SELF-SPOKE
91251-KPH-901	F-9-CAST	94001-06000-0S	F-19
91251-KPH-901	F-9-SPOKE	94001-08000-0S	F-19
91255-KWA-941	F-7-WITH-VISOR	94002-10070-0S	F-3-KICK
91255-KWA-941	F-7-WO-VISOR	94002-08000-0S	F-3-KICK
91301-KTC-900	E-6	94002-10070-0S	F-3-SELF
91301-KTC-900	E-6A	94002-08000-0S	F-3-SELF
91303-719-000	E-5	94002-10000-0S	F-20
91303-377-000	E-7-KICK	94002-06000-0S	F-21
91303-377-000	E-7-SELF	94030-10000	F-17
91304-KPG-T00	E-1	94030-10000	F-25
91304-704-000	F-11-CAST	94050-12000	E-7A-KICK
91304-704-000	F-11-SPOKE	94050-12000	E-7A-SELF
91305-KPH-900	E-8-KICK	94050-06000	F-3-KICK
91305-KPH-900	E-8-SELF	94050-06000	F-3-SELF
91305-443-740	F-13	94050-06000	F-8-CAST
91306-MG3-000	E-4	94050-06000	F-8-SPOKE
91307-035-000	E-5	94050-06000	F-13
91309-425-003	E-7B	94050-06000	F-16
91320-MB0-000	E-7B	94050-10000	F-20
91352-GAZ-930	F-2	94050-10000	F-22
91356-KAG-900	F-7-WITH-VISOR	94101-06000	F-6-SPOKE
91356-KAG-900	F-7-WO-VISOR	94101-06000	F-6-WITH-VISOR
91372-KPH-900	E-1	94101-06000	F-6-WO-VISOR
91508-KST-940	F-1-WITH-VISOR	94101-06000	F-11-CAST

91508-KST-940	F-1-WO-VISOR	94101-06000	F-11-SPOKE
92000-06016-0A	F-6-SPOKE	94101-05000	F-15
92000-06016-0A	F-6-WITH-VISOR	94101-06000	F-17
92000-06016-0A	F-6-WO-VISOR	94101-08000	F-17
92000-06016-0A	F-17	94101-06000	F-19
92000-06020-0H	F-17	94101-08000	F-19
92000-06012-0A	F-21	94101-12800	F-20
92000-05022-0H	F-23	94101-06000	F-21
92101-06010-0A	E-10	94101-10000	F-25
92101-08032-0A	F-17	94103-06700	F-2
92800-12000-00	E-8-KICK	94111-06000	F-6-SPOKE
92800-12000-00	E-8-SELF	94111-06000	F-6-WITH-VISOR
92811-10000	F-10-KICK-SPOKE	94111-06000	F-6-WO-VISOR
92811-10000	F-10-SELF-CAST	94111-10000	F-19
92811-10000	F-10-SELF-SPOKE	94201-20150	F-10-KICK-SPOKE
92900-08025-0E	E-1	94201-30250	F-10-KICK-SPOKE
93500-05020-0G	F-3-KICK	94201-20150	F-10-SELF-CAST
93500-05022-1G	F-3-KICK	94201-30250	F-10-SELF-CAST
93500-05020-0G	F-3-SELF	94201-20150	F-10-SELF-SPOKE
93500-05022-1G	F-3-SELF	94201-30250	F-10-SELF-SPOKE
93500-04025-0G	F-13	94201-16150	F-17
93500-05016-0A	F-15	94201-20150	F-18
93892-04018-08L	E-13	94201-30250	F-18
93901-04012-00	F-1-WITH-VISOR	94201-20150	F-19
93901-04012-00	F-1-WO-VISOR	94301-10120	E-2
93901-32220	F-3-KICK	94301-10120	E-8-KICK
93901-32220	F-3-SELF	94301-10120	E-8-SELF
93901-22310	F-22	94303-03050	E-9
93903-34380	F-1-WITH-VISOR	95002-02089	E-13
93903-24320	F-12	95002-02659	E-13

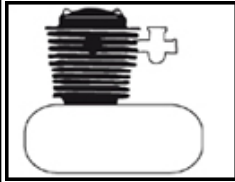
93903-34480	F-22	95002-02100	F-13
93903-34480	F-23	95002-02080	F-13
94001-06070-0S	F-2	95002-02130	F-15
94001-10070-0S	F-3-KICK	95002-80000	F-15
94001-05070-0S	F-3-KICK	95005-35310-50	E-13

PART NO	BLOCK	PART NO	BLOCK
95011-51000	F-17	96001-06022-00	E-7A-KICK
95014-21101	F-4	96001-06016-00	E-7A-SELF
95014-72302	F-17	96001-06022-00	E-7A-SELF
95014-71702	F-18	96001-06060-00	E-8-KICK
95014-73100	F-18	96001-06060-00	E-8-SELF
95015-32001	F-8-CAST	96001-06018-07	F-2
95015-42000	F-8-CAST	96001-06025-07	F-3-KICK
95015-32001	F-8-SPOKE	96001-06025-07	F-3-SELF
95015-42000	F-8-SPOKE	96100-62000-00	E-6
95015-32001	F-18	96100-62000-00	E-6A
95015-42000	F-18	96100-60010-00	E-10
95015-53000	F-18	96100-62010-00	E-10
95018-46320	F-15	96100-62030-00	E-10
95301-10110-00	F-25	96140-63010-10	F-9-CAST
95701-06022-00	E-1	96140-63010-10	F-9-SPOKE
95701-06025-00	E-1	96140-63010-10	F-11-CAST
95701-06110-00	E-1	96140-63010-10	F-11-SPOKE
95701-06012-00	E-3	96150-62030-10	F-11-CAST
95701-06012-00	E-5	96150-62030-10	F-11-SPOKE
95701-06025-00	E-7B	96211-08000	F-5
95701-06016-00	E-8-KICK	96211-08000	F-17
95701-06016-00	E-8-SELF	96220-30085	E-12
95701-06035-00	E-8A	96600-08025-00	F-2
95701-06016-00	E-9	96700-06018-00	E-12
95701-08020-02	F-1-WITH-VISOR	97252-51162-10	F-9-SPOKE
95701-08020-02	F-1-WO-VISOR	97252-51162-10	F-11-SPOKE
95701-08040-00	F-5	97603-51162-10	F-9-SPOKE
95701-06032-00	F-8-CAST	97687-51161-10	F-11-SPOKE
95701-06032-00	F-8-SPOKE	98200-31500	F-24-KICK

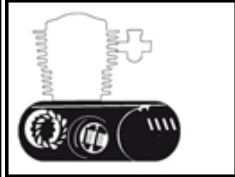
95701-06035-00	F-10-KICK-SPOKE	98200-32000	F-24-KICK
95701-06035-00	F-10-SELF-CAST	98200-30750	F-24-KICK
95701-06035-00	F-10-SELF-SPOKE	98200-31000	F-24-KICK
95701-06025-18	F-12	98200-31500	F-24-SELF-WITH-VISOR
95701-08016-00	F-12	98200-32000	F-24-SELF-WITH-VISOR
95701-08035-08	F-13	98200-30750	F-24-SELF-WITH-VISOR
95701-08016-00	F-16	98200-31000	F-24-SELF-WITH-VISOR
95701-08016-07	F-17	98200-31500	F-24-SELF-WO-VISOR
95701-10045-07	F-17	98200-32000	F-24-SELF-WO-VISOR
95701-06040-00	F-17	98200-30750	F-24-SELF-WO-VISOR
95701-06016-00	F-21	98200-31000	F-24-SELF-WO-VISOR
95701-06020-00	F-21	99001-14170	F-26
95701-06016-00	F-24-KICK	99007-45000	F-26
95701-06016-00	F-24-SELF-WITH-VISOR	99101-KTT-0980	E-13
95701-06016-00	F-24-SELF-WO-VISOR	99103-KTR-0350	E-13
95701-06020-07	F-25		
95701-08016-00	F-25		
95701-06016-07	F-25		
95701-08016-00	F-28		
95701-08016-00	F-29		
95801-08040-00	F-17		
95801-08045-00	F-17		
95801-10035-00	F-20		
96001-06020-00	E-1		
96001-06095-00	E-1		
96001-06022-00	E-4		
96001-06014-00	E-4		
96001-06040-00	E-5		
96001-06025-00	E-7-KICK		
96001-06028-00	E-7-KICK		

96001-06035-00	E-7-KICK	
96001-06025-00	E-7-SELF	
96001-06028-00	E-7-SELF	
96001-06035-00	E-7-SELF	
96001-06016-00	E-7A-KICK	

BLOCK INDEX - GROUP Engine - Dawn 125 (Feb, 2016).



E-1	CYLINDER HEAD	1
E-2	CYLINDER	2
E-3	CAM SHAFT/VALVE	3



E-4	CAM CHAIN TENSIONER	4
E-5	RIGHT CRANK CASE COVER	5
E-6	CLUTCH	6
E-6A	CLUTCH	7
E-7-KICK	LEFT CRANK CASE COVER	8
E-7-SELF	LEFT CRANK CASE COVER	9
E-7A-KICK	A.C.GEN. ASSY. / STARTING CLUTCH (SELF START)	10
E-7A-SELF	A.C.GEN. ASSY. / STARTING CLUTCH (SELF START)	11
E-7B	STARTER MOTOR (SELF START)	12












E-8-KICK	CRANK CASE	13
E-8-SELF	CRANK CASE	14
E-8A	OIL PUMP	15
E-9	CRANK SHAFT/PISTON	16
E-10	TRANSMISSION	18
E-11	KICK STARTER	19
E-12	GEAR SHIFT	20
E-13	CARBURETTOR	21

BLOCK INDEX - GROUP Frame - Dawn 125 (Feb, 2016).







	F-1-WITH-VISOR	LIGHT ASSY. HEAD	22
	F-1-WO-VISOR	LIGHT ASSY. HEAD	23
	F-2	SPEEDOMETER/CABLE/KEY SET	24
	F-3-KICK	HANDLE LEVER/SWITCH/CONTROL CABLE	25
	F-3-SELF	HANDLE LEVER/SWITCH/CONTROL CABLE	26
	F-4	HANDLE PIPE/TOP BRIDGE	27
	F-5	STEERING STEM	28
	F-6-SPOKE	FRONT FENDER	29
	F-6-WITH-VISOR	FRONT FENDER	30
	F-6-WO-VISOR	FRONT FENDER	31
	F-7-WITH-VISOR	FRONT FORK	32
	F-7-WO-VISOR	FRONT FORK	33



	F-8-CAST	FR. BRAKE PANEL	34
	F-8-SPOKE	FR. BRAKE PANEL	35
	F-9-CAST	FRONT WHEEL (DRUM)	36
	F-9-SPOKE	FRONT WHEEL (DRUM)	37
	F-10-KICK-SPOKE	REAR BRAKE PANEL	38
	F-10-SELF-CAST	REAR BRAKE PANEL	39
	F-10-SELF-SPOKE	REAR BRAKE PANEL	40
	F-11-CAST	REAR WHEEL	41
	F-11-SPOKE	REAR WHEEL	42



	F-12	SEAT ASSY./RR COWL/REAR GRIP	43
	F-13	FUEL TANK	44
	F-14	SIDE COVER	45
	F-15	AIR CLEANER	46

BLOCK INDEX - GROUP Frame - Dawn 125 (Feb, 2016).



	F-16	MUFFLER	47
	F-17	STEP ASSY./KICK STARTER/GEAR CHANGE PEDAL/SIDE STAND	48
	F-18	MAIN STAND/PEDAL BRAKE	49
	F-19	SWINGARM/CHAIN CASE	50
	F-20	REAR CUSHION	51



	F-21	REAR FENDER	52
	F-22	WINKERS	53
	F-23	TAIL LIGHT	54
	F-24-KICK	WIRE HARNESS	55
	F-24-SELF-WITH-VISOR	WIRE HARNESS	56
	F-24-SELF-WO-VISOR	WIRE HARNESS	57



	F-25	FRAME BODY/UTILITY BOX	58
	F-26	TOOLS	59
	F-27-WITH-VISOR	STRIPES/MARKS	60
	F-27-WO-VISOR	STRIPES/MARKS	62
	F-28	GUARD ENGINE	63
	F-29	GUARD SARI	64
	F-30	CAUTION LABEL	65