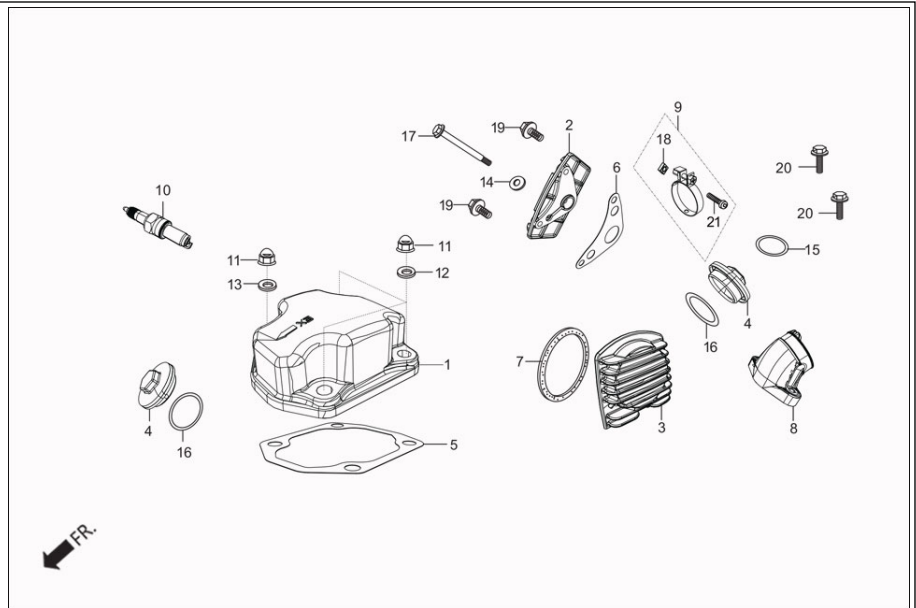


PARTS CATALOGUE

Splendor iSMART Euro III (Apr, 2017)

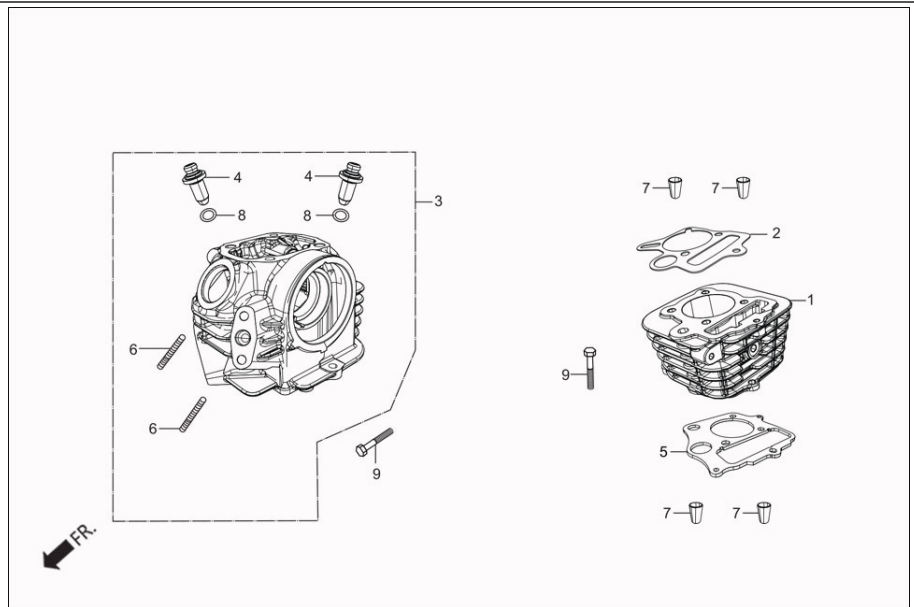
E-1
CYLINDER HEAD COVER/INLET PIPE



| Service Item | F.R.T. |
|---------------------------------|---------------|
| * COVER, CYLINDER HEAD | 0.3 |
| * GASKET, CYLINDER HEAD COVER | -- |
| * COVER, 'R' CYLINDER HEAD SIDE | 0.1 |
| * COVER, 'L' CYLINDER HEAD SIDE | 0.2 |
| * SPARK PLUG | 0.1 |
| * INSULATOR, CARBURETTOR | 0.2 |
| * PIPE, INLET | 0.3 |

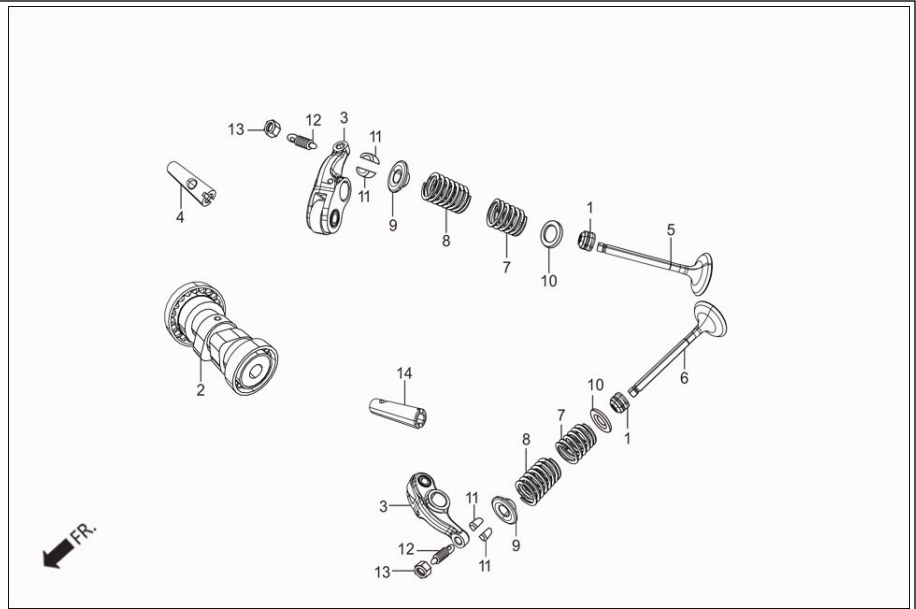
| Group Number: E-1 Model :: Splendor iSMART Euro III (Apr, 2017) | | | | |
|--|--------------------|-----------------------------------|-------------|--|
| Ref No. | Part Number | Description | Req. | |
| 1 | 12301-AAT-000 | COVER CYLINDER HEAD | 1 | |
| 2 | 12331-AAT-000 | COVER R CYLINDER HEAD SIDE | 1 | |
| 3 | 12341-AAT-000 | COVER L CYLINDER HEAD SIDE | 1 | |
| 4 | 12361-035-000 | CAP, TAPPET ADJUSTING HOLE | 2 | |
| 5 | 12391-AAT-00099 | GASKET CYLINDER HEAD COVER | 1 | |
| 6 | 12394-AAT-00099 | GASKET CYLINDER HEAD R SIDE COVER | 1 | |
| 7 | 12395-AAH-00099 | GASKET CYL HEAD L SIDE COVER | 1 | |
| 8 | 16210-ABA-100 | INSULATOR COMP CARB | 1 | |
| 9 | 16217-AAT-000 | BAND INSULATOR | 1 | |
| 10 | 31917-AAC-H00 | SPARK PLUG | 1 | |
| 11 | 90201-GF6-000R | NUT, CAP, 7 MM | 4 | |
| 12 | 90442-GF6-000 | WASHER, SEALING, 7 MM | 3 | |
| 13 | 90443-GF6-010 | WASHER, A SEALING, 7 MM | 1 | |
| 14 | 90461-357-000 | WASHER, SEALING, 12 MM | 1 | |
| 15 | 91301-KCC-770 | O-RING, 27 X 2 (COLOUR GREEN) | 1 | |
| 16 | 91302-KEV-900 | O-RING, 30.8 X 3 | 2 | |
| 17 | 95701-06117-00 | BOLT, FLANGE, 6 X 117 | 1 | |
| 18 | 16222-MV4-300 | NUT, SQUARE, 5 MM | 1 | |
| 19 | 96001-06020-00 | BOLT, FLANGE, SH. 6 X 20 | 2 | |
| 20 | 96600-06022-00 | SOCKET BOLT 6X22 | 2 | |
| 21 | 93500-05025-0G | SCREW PAN 5X25 | 1 | |

E-2
CYLINDER/CYLINDER HEAD



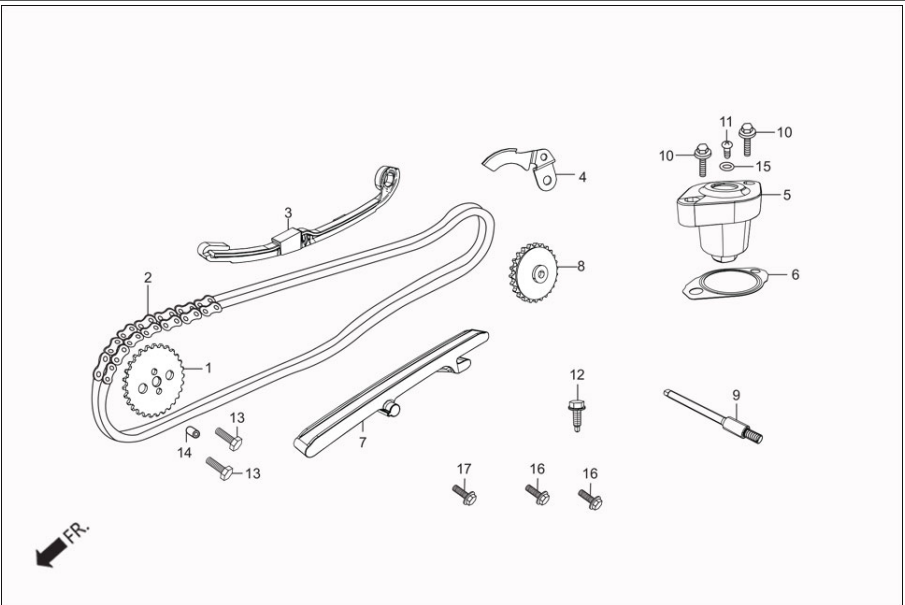
| Service Item | F.R.T. | Group Number: E-2 Model :: Splendor iSMART Euro III (Apr, 2017) | | | |
|--|---------------|--|--------------------|-----------------------------|-------------|
| | | Ref No. | Part Number | Description | Req. |
| * CYLINDER | 1.2 | 1 | 12101-ABA-100 | CYLINDER | 1 |
| * GASKET, CYLINDER | 1.1 | 2 | 12191-AAT-00099 | GASKET CYLINDER | 1 |
| * HEAD, COMP., CYLINDER (INC. REAMING) | 1.6 -- | 3 | 12200-ABA-100 | HEAD COMP CYLINDER | 1 |
| * GUIDE, VALVE (ADD 0.3 FOR EACH) | -- -- | 4 | 12237-AAT-305 | GUIDE VALVE O/S | 2 |
| (EXC. VALVE REFACING) | -- | | 12237-AAT-305 | GUIDE VALVE O/S | 2 |
| (ADD MORE 0.2 IF PERFORMED) | -- | 5 | 12251-AAT-001 | GASKET, CYLINDER HEAD | 1 |
| * GASKET, CYLINDER HEAD | 0.9 | 6 | 90033-AAT-000 | BOLT STUD 6X48 | 2 |
| * BOLT, STUD, 6 X 32 (ADD 0.1 FOR EACH) | 0.3 -- | 7 | 90701-GF6-000 | PIN, DOWEL, 8 X 14 | 4 |
| | | 8 | 91305-028-150 | O- RING, 9 X1.6 | 2 |
| | | 9 | 90081-AAT-000 | BOLT, SOCKET FLANGE, 6 X 16 | 2 |

E-3 CAM SHAFT/VALVE



| Service Item | F.R.T. | Group Number: E-3 Model :: Splendor iSMART Euro III (Apr, 2017) | | | |
|-------------------------------------|---------------|--|--------------------|--------------------------|-------------|
| | | Ref No. | Part Number | Description | Req. |
| * CAM SHAFT COMP | 0.7 | 1 | 12209-AAN-410 | SEAL VALVE STEM | 2 |
| * ARM, VALVE ROCKER (ONE OR ALL) | 1.1 -- | 2 | 14100-AAT-001 | SHAFT COMP CAM | 1 |
| * VALVE | 1.4 | 3 | 14430-AAT-000 | ARM COMP, VALVE ROCKER | 2 |
| (ADD 0.2 FOR EACH) | -- | 4 | 14451-ABA-000 | SHAFT ROCKER ARM | 1 |
| (INC. REFACING) | -- | 5 | 14711-AAT-00099 | VALVE INLET | 1 |
| (EXC. VALVE GUIDE REPLACEMENT) | -- | 6 | 14721-AAT-00099 | VALVE EXHAUST | 1 |
| * SPRING, VALVE INNER | 1.2 | 7 | 14751-AAT-000 | SPRING, VALVE OUTER | 2 |
| (ADD 0.1 FOR EACH) | -- | 8 | 14761-AAT-000 | SPRING, VALVE INNER | 2 |
| (INC. RELATIVE PART) | -- | 9 | 14771-AAT-000 | RETAINER, VALVE SPRING | 2 |
| | | 10 | 14775-MA6-000 | SEAT, VALVE SPRING OUTER | 2 |
| | | 11 | 14781-MA6-000 | COTTER, VALVE | 4 |
| | | 12 | 90012-333-000R | SCREW, TAPPET ADJUSTING | 2 |
| | | 13 | 90206-001-000 | NUT, TAPPET ADJUSTING | 2 |
| | | 14 | 14452-ABA-000 | SHAFT ROCKER ARM EX | 1 |

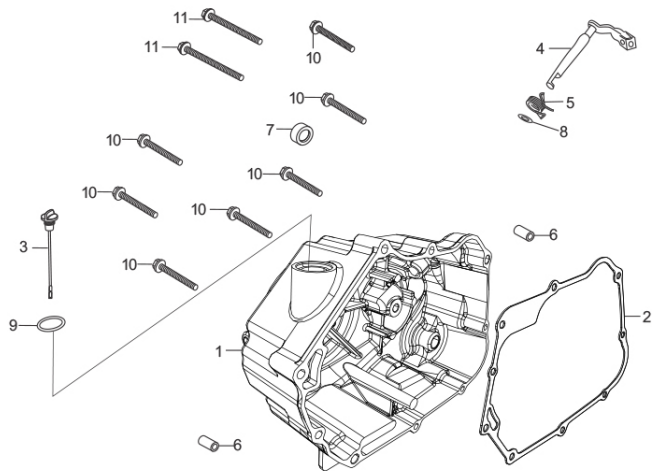
E-4
CAM CHAIN TENSIONER



| Service Item | F.R.T. | Group Number: E-4 Model :: Splendor iSMART Euro III (Apr, 2017) | | | |
|----------------------------------|---------------|--|--------------------|----------------------------------|-------------|
| | | Ref No. | Part Number | Description | Req. |
| * SPROCKET, CAM(28T) | 0.4 | 1 | 14321-AAD-200 | SPROCKET CAM | 1 |
| * ARM COMP., CAM CHAIN TENSIONER | -- | 2 | 14401-AAD-00099 | CAM CHAIN | 1 |
| * ROLLER, CAM CHAIN TENSIONER | -- | 3 | 14510-AAT-000 | TENSIONER ASSY CAM CHAIN | 1 |
| * CHAIN, CAM (84L) | 1.4 | 4 | 14515-AAT-000 | PLATE TENSIONER SET | 1 |
| * PUSH ROD COMP., TENSIONER | 0.3 | 5 | 14520-KPL-840 | LIFTER ASSY., TENSIONER | 1 |
| * ROLLER COMP., CAM CHAIN GUIDE | 1 | 6 | 14560-KSP-910 | GASKET, TENSIONER LIFTER | 1 |
| * SPROCKET, CAM CHAIN GUIDE | 1.6 | 7 | 14610-AAT-001 | GUIDE, CAM CHAIN | 1 |
| * SPINDLE, CAM CHAIN GUIDE | -- | 8 | 14670-AAT-000 | SPRKT COMP CAM CHAIN GUIDE | 1 |
| | | 9 | 14675-AAT-000 | SPINDLE CAM CHAIN GUIDE SPROCKET | 1 |
| | | 10 | 90002-ABA-000 | BOLT FLANGE 5X20 | 2 |
| | | 11 | 90005-KY7-000 | SCREW, PAN, 6X6 | 1 |
| | | 12 | 90014-ABA-000 | BOLT FLANGE 6X23 | 1 |
| | | 13 | 90083-KVH-900 | BOLT, KNOCK, 5 MM | 2 |
| | | 14 | 90702-GB6-910 | PIN, DOWEL, 8 X 12 | 1 |
| | | 15 | 91306-105-690 | O-RING, 1.5 X 9.5 | 1 |
| | | 16 | 95701-06022-00 | BOLT, FLANGE, SH. 6 X 22 | 2 |
| | | 17 | 96001-06014-00 | BOLT, FLANGE, SH. 6 X 14 | 1 |

E-5
RIGHT CRANKCASE COVER

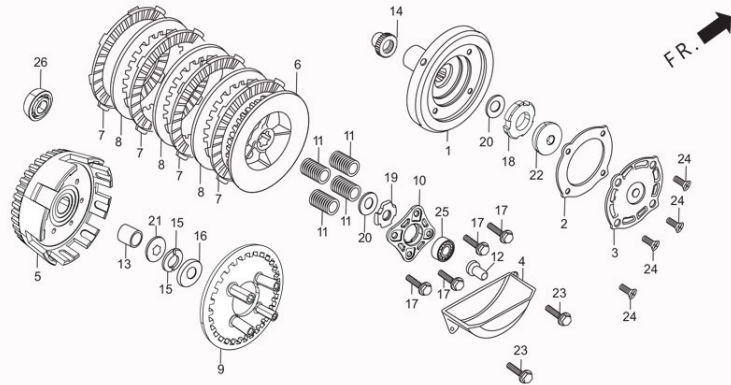
FR.



| Service Item | F.R.T. |
|---|---------------|
| * COVER COMP., 'R' CRANK CASE | 0.8 |
| * GASKET, 'R' CRANK CASE COVER | 0.6 |
| * LEVER COMP., CLUTCH (INC. RELATIVE PART) | -- |
| * OIL SEAL, 13.8 X 24 X 5 | -- |

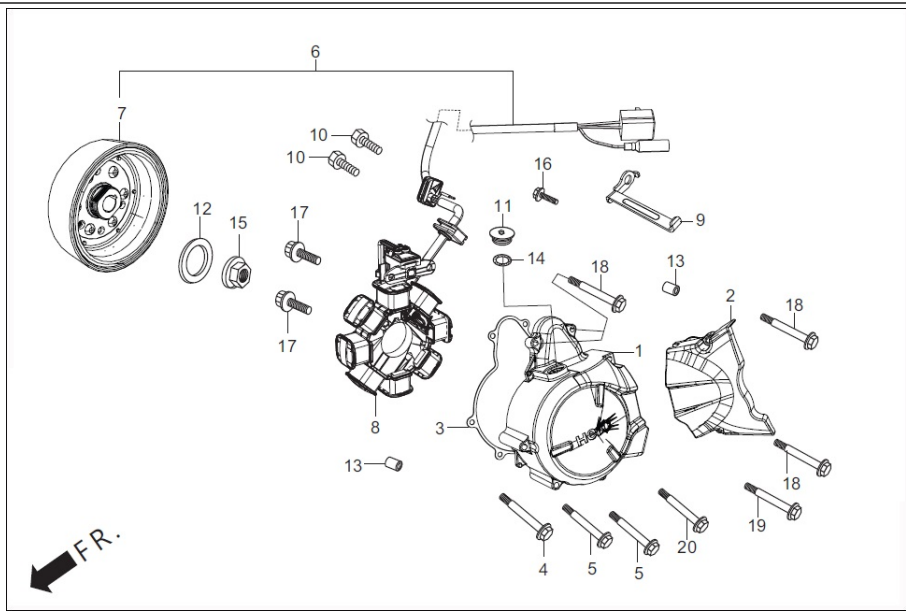
| Group Number: E-5 Model :: Splendor iSMART Euro III (Apr, 2017) | | | | |
|--|--------------------|---------------------------|-------------|--|
| Ref No. | Part Number | Description | Req. | |
| 1 | 11330-AAT-000 | COVER COMP, R CRANK CASE | 1 | |
| 2 | 11394-AAT-00099 | GASKET R CRANK CASE COVER | 1 | |
| 3 | 15650-AAC-H00 | GAUGE OIL LEVEL | 1 | |
| 4 | 22810-198-000 | LEVER COMP.,CLUTCH | 1 | |
| 5 | 22815-166-000 | SPRING, CLUTCH LEVER | 1 | |
| 6 | 90702-GB6-910 | PIN, DOWEL,8 X 12 | 2 | |
| 7 | 91202-302-010 | OIL SEAL, 13.8 X 24 X 5 | 1 | |
| 8 | 91303-719-000 | O-RING,9 MM | 1 | |
| 9 | 91307-035-000 | O-RING,18 X 3 | 1 | |
| 10 | 96001-06040-00 | BOLT, FLANGE, SH. 6 X 40 | 7 | |
| 11 | 96001-06080-00 | BOLT, FLANGE, SH. 6 X 80 | 2 | |

E-6
CLUTCH



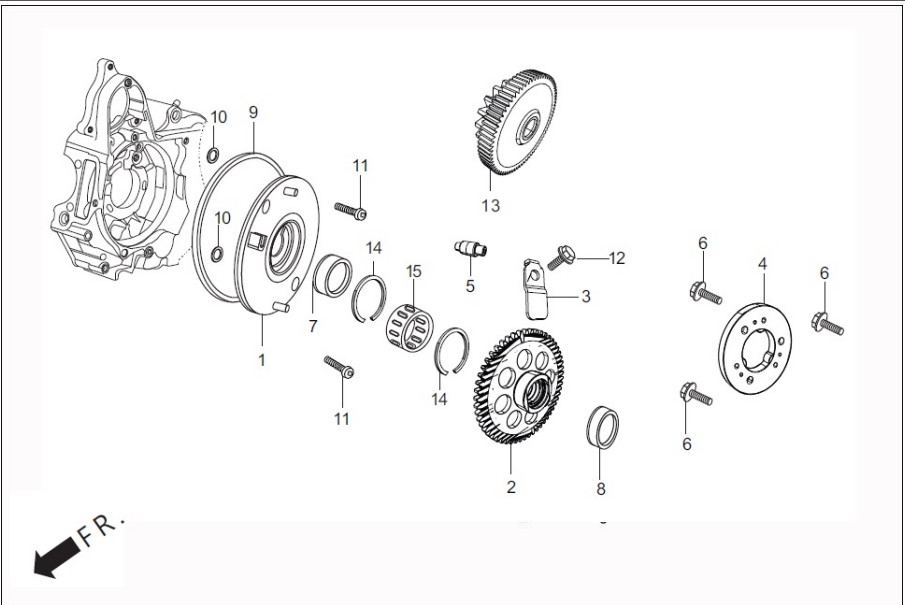
| Service Item | F.R.T. | Group Number: E-6 Model :: Splendor iSMART Euro III (Apr, 2017) | | | |
|------------------------------|---------------|--|--------------------|------------------------------|-------------|
| | | Ref No. | Part Number | Description | Req. |
| * ROTOR, OIL FILTER | 0.9 | 1 | 15431-198-000 | ROTOR, OIL FILTER | 1 |
| * COVER, OIL FILTER ROTOR . | 0.7 | 2 | 15439-AAH-00099 | GASKET ROTOR OIL FILTER | 1 |
| * PLATE, OIL SEPARATOR | 1.1 | 3 | 15441-198-000 | COVER, OIL FILTER ROTOR | 1 |
| * OUTER COMP., CLUTCH | 1.2 | 4 | 15661-198-000 | PLATE, OIL SEPARATOR | 1 |
| * CENTER CLUTCH | -- | 5 | 22110-AAH-H40 | OUTER COMP.CLUTCH | 1 |
| * DISC, CLUTCH FRICTION | -- | 6 | 22121-198-900 | CENTER, CLUTCH | 1 |
| (ONE OR ALL) | -- | 7 | 22201-GF6-000 | DISC, CLUTCH FRICTION | 4 |
| (INC. RELATIVE PART) | -- | 8 | 22311-107-000 | PLATE, CLUTCH | 3 |
| * PLATE, CLUTCH PRESSURE | -- | 9 | 22350-115-020 | PLATE, CLUTCH PRESSURE | 1 |
| * PLATE, CLUTCH LIFTER | -- | 10 | 22361-KST-940 | PLATE, CLUTCH LIFTER | 1 |
| * SPRING CLUTCH (ONE OR ALL) | -- | 11 | 22401-GF6-000 | SPRING, CLUTCH | 4 |
| | | 12 | 22847-KCC-900 | ROD, CLUTCH LIFTER | 1 |
| | | 13 | 23112-AAJ-H10 | COLLAR DRIVEN GEAR | 1 |
| | | 14 | 23121-KST-901 | GEAR , PRIMARY DRIVE (18T) | 1 |
| | | 15 | 23216-GF6-000 | COTTER, MAINSHAFT | 2 |
| | | 16 | 23217-GF6-000L | SET RING MAIN SHAFT | 1 |
| | | 17 | 90050-KFL-850 | SPECIAL BOLT FLANGE 6 X 25 | 4 |
| | | 18 | 90231-087-010 | NUT, LOCK, 14 MM | 1 |
| | | 19 | 90231-198-000 | NUT B LOCK ,14MM | 1 |
| | | 20 | 90432-086-000 | WASHER `B LOCK | 2 |
| | | 21 | 90461-GF6-000 | WASHER, SPLINE, 17 MM | 1 |
| | | 22 | 91205-350-000 | OIL SEAL , 6 X 25 X 6 | 1 |
| | | 23 | 96001-06020-00 | BOLT, FLANGE, SH. 6 X 20 | 2 |
| | | 24 | 93600-05012-1H | SCREW, FLAT, 5 X 12 | 4 |
| | | 25 | 96100-60010-00 | BEARING , RADIAL BALL , 6001 | 1 |
| | | 26 | 96100-60010-H0 | BEARING BALL RADIAL 6001 | 1 |

E-7A
LEFT CRANKCASE COVER/A.C. GEN.
ASSY./SELF START



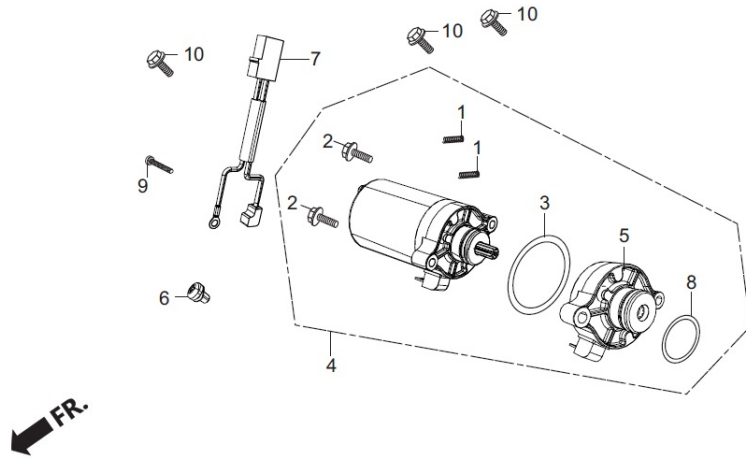
| Service Item | F.R.T. | Group Number: E-7A Model :: Splendor iSMART Euro III (Apr, 2017) | | | |
|---------------------------|---------------|---|--------------------|---------------------------|-------------|
| | | Ref No. | Part Number | Description | Req. |
| * COVER 'L' CRANK CASE | 0.1 | 1 | 11341-AAT-010 | COVER L CRANK CASE | 1 |
| * A.C.GEN.ASSY | 0.5 | 2 | 11360-ABA-000 | COV RR L CRANK CASE | 1 |
| * STATOR, COMP | -- | 3 | 11395-AAT-01099 | GASKET L CRANK CASE COVER | 1 |
| * FLYWHEEL, COMP | 0.3 | 4 | 96001-06070-00 | BOLT, FLANGE, SH., 6X70 | 1 |
| * OIL SEAL, 18.9 X 30 X 5 | -- | 5 | 96001-06065-00 | BOLT, FLANGE, SH. 6 X 65 | 2 |
| * O-RING, 107 X 2 | -- | 6 | 31100-AAT-01099 | AC GEN ASSY(SELF) | 1 |
| | | 7 | 31110-AAT-011 | FLYWHEEL COMP | 1 |
| | | | 31110-AAT-013 | FLYWHEEL, COMP | 1 |
| | | 8 | 31120-AAT-001 | STATOR COMP | 1 |
| | | 9 | 32961-AAT-000 | CLAMPER ACG CORD | 1 |
| | | 10 | 90083-KVH-900 | BOLT, KNOCK, 5 MM | 2 |
| | | 11 | 90084-KWA-930 | CAP 14 MM | 1 |
| | | 12 | 90410-HC4-000 | WASHER ,10MM | 1 |
| | | 13 | 90702-GB6-910 | PIN, DOWEL,8 X 12 | 2 |
| | | 14 | 91303-377-000 | O-RING, 13.8 X 2.5 | 1 |
| | | 15 | 94050-10000 | NUT, FLANGE, 10MM | 1 |
| | | 16 | 96001-06016-00 | BOLT, FLANGE SH. 6 X 16 | 1 |
| | | 17 | 96001-06020-00 | BOLT, FLANGE, SH. 6 X 20 | 2 |
| | | 18 | 96001-06028-00 | BOLT, FLANGE, SH. 6X28 | 4 |
| | | 19 | 96001-06050-00 | BOLT, FLANGE, SH. 6 X 50 | 1 |
| | | 20 | 96001-06060-00 | BOLT, FLANGE, SH. 6 X 60 | 1 |

E-7B
STARTING CLUTCH



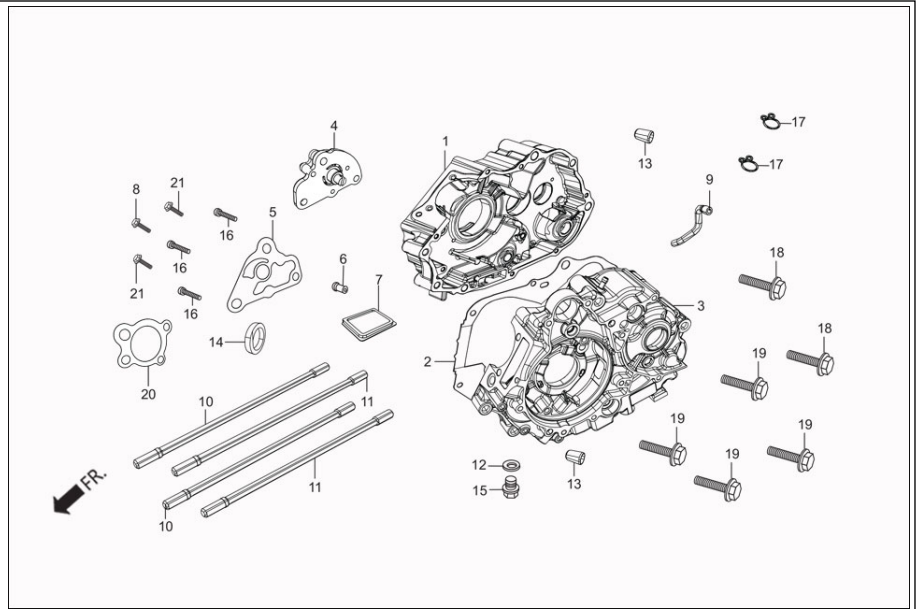
| Service Item | F.R.T. | Group Number: E-7B Model :: Splendor iSMART Euro III (Apr, 2017) | | | |
|---------------------------|---------------|---|--------------------|-----------------------------|-------------|
| | | Ref No. | Part Number | Description | Req. |
| * COVER 'L' CRANK CASE | 0.1 | 1 | 11321-AAT-010 | PLATE OIL SEPARATE | 1 |
| * A.C.GEN.ASSY | 0.5 | 2 | 28110-AAT-010 | GEAR COMP STARTER DRIVEN | 1 |
| * STATOR, COMP | -- | 3 | 28117-AAT-010 | PLATE STARTING SPROCKET SET | 1 |
| * FLYWHEEL, COMP | 0.3 | 4 | 28120-KWA-942 | OUTER COMP. STARTING CLUTCH | 1 |
| * OIL SEAL, 18.9 X 30 X 5 | -- | 5 | 28132-AAT-010 | SHAFT, REDUCTION GEAR | 1 |
| * O-RING, 107 X 2 | -- | 6 | 90085-KWA-940 | BOLT, SOCKET 6MM | 3 |
| | | 7 | 91201-GBG-900 | OIL SEAL 30×42×4.5 | 1 |
| | | 8 | 91204-GBG-850 | OIL SEAL 18.9×28×5 | 1 |
| | | 9 | 91301-035-000 | O RING, 107 X2 | 1 |
| | | 10 | 91317-171-000 | O RING, 6 X 1.7 | 2 |
| | | 11 | 93600-06016-0A | SCREW, FLAT, 6X16 | 2 |
| | | 12 | 96001-06014-00 | BOLT, FLANGE, SH. 6 X 14 | 1 |
| | | 13 | 28130-AAT-010 | GEAR COMP STARTER REDUCTION | 1 |
| | | 14 | 90464-GBG-900 | CIRCLIP INT.23MM | 2 |
| | | 15 | 91005-KWA-940 | BRG. NEEDLE 19X23X13 | 1 |

E-7C
STARTING MOTOR



| Service Item | F.R.T. | Group Number: E-7C Model :: Splendor iSMART Euro III (Apr, 2017) | | | |
|---------------------------|---------------|---|--------------------|---------------------------|-------------|
| * COVER 'L' CRANK CASE | 0.1 | Ref No. | Part Number | Description | Req. |
| * A.C.GEN.ASSY | 0.5 | 1 | 31204-AAT-011 | SPRING, BRUSH | 2 |
| * STATOR, COMP | -- | 2 | 31205-AAT-011 | BOLT SET 4X68 | 2 |
| * FLYWHEEL, COMP | 0.3 | 3 | 31206-AAT-011 | O-RING | 1 |
| * OIL SEAL, 18.9 X 30 X 5 | -- | 4 | 31210-AAT-011 | MOTOR UNIT START | 1 |
| * O-RING, 107 X 2 | -- | 5 | 31213-AAT-011 | FR BRKT COMP | 1 |
| | | 6 | 93892-04008-08 | SCREW WASH 4X8 | 1 |
| | | 7 | 32410-KVH-871 | SUB HARNESS A | 1 |
| | | 8 | 91309-AAT-011 | O-RING | 1 |
| | | 9 | 93892-04006-08L | SCREW WASH 4X6 | 1 |
| | | 10 | 96001-06032-00 | BOLT, FLANGE, SH., 6 X 32 | 3 |

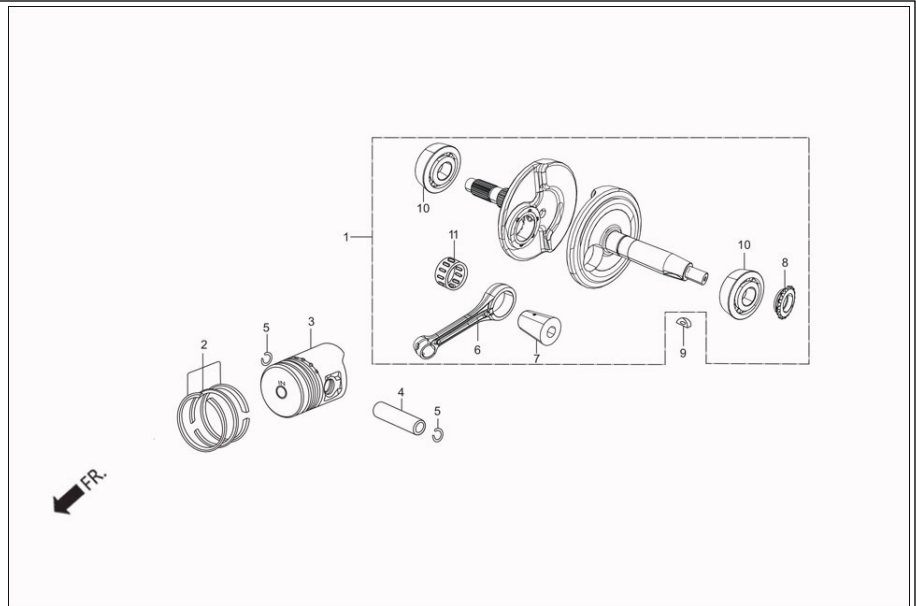
E-8
CRANK CASE/OIL PUMP



| Service Item | F.R.T. | Group Number: E-8 Model :: Splendor iSMART Euro III (Apr, 2017) | | | |
|-------------------------|---------------|--|--------------------|----------------------------------|-------------|
| | | Ref No. | Part Number | Description | Req. |
| * CRANK CASE COMP., 'R' | *4.0 | 1 | 1110A-AAT-000 | CRANK CASE ASSY RIGHT | 1 |
| * GASKET, CRANK CASE | *3.6 | 2 | 11191-AAT-00099 | GASKET CRANK CASE | 1 |
| * CRANK CASE COMP., 'L' | *4.4 | 3 | 1120A-AAT-011 | CRANK CASE ASSY.LEFT | 1 |
| * SCREEN, OIL FILTER | 0.6 | 4 | 15100-AAT-000 | PUMP ASSY, OIL | 1 |
| * BOLT, CYLINDER STUD | 1.1 | 5 | 15119-AAT-00099 | GASKET OIL PUMP BODY | 1 |
| (ADD 0.1 FOR EACH) | -- | 6 | 15384-178-000 | PIVOT, OIL PUMP | 1 |
| * PUMP ASSY., OIL | -- | 7 | 15421-035-010 | SCREEN, OIL FILTER | 1 |
| (INC. RELATIVE PART) | -- | 8 | 96001-06028-00 | BOLT, FLANGE, SH. 6X28 | 1 |
| | | 9 | 17371-AAT-000 | TUBE, BREATHER | 1 |
| | | 10 | 90031-AAH-000 | BOLT A, CYLINDER STUD, 6X198X7 | 2 |
| | | 11 | 90032-AAH-000 | BOLT B, CYLINDER STUD, 6X205.5X7 | 2 |
| | | 12 | 90407-AAT-000 | DRAIN COCK PACKING | 1 |
| | | 13 | 90703-HC4-000 | DOWEL PIN, 10X14 | 2 |
| | | 14 | 91303-GF6-000 | PACKING ,RUBBER ,16MM | 1 |
| | | 15 | 92800-16000-00 | BOLT DRAIN PLUG SEALING | 1 |
| | | 16 | 93500-05010-0H | SCREW, PAN, 5X10 | 3 |
| | | 17 | 95002-02100 | CLIP, B-10 TUBE | 2 |
| | | 18 | 96001-06075-00 | BOLT FLANGE SH. 6X75 | 2 |
| | | 19 | 96001-06065-00 | BOLT, FLANGE, SH. 6 X 65 | 4 |
| | | 20 | 15329-AAT-000 | GASKET OIL PUMP COVER | 1 |
| | | 21 | 96001-06020-00 | BOLT, FLANGE, SH. 6 X 20 | 2 |

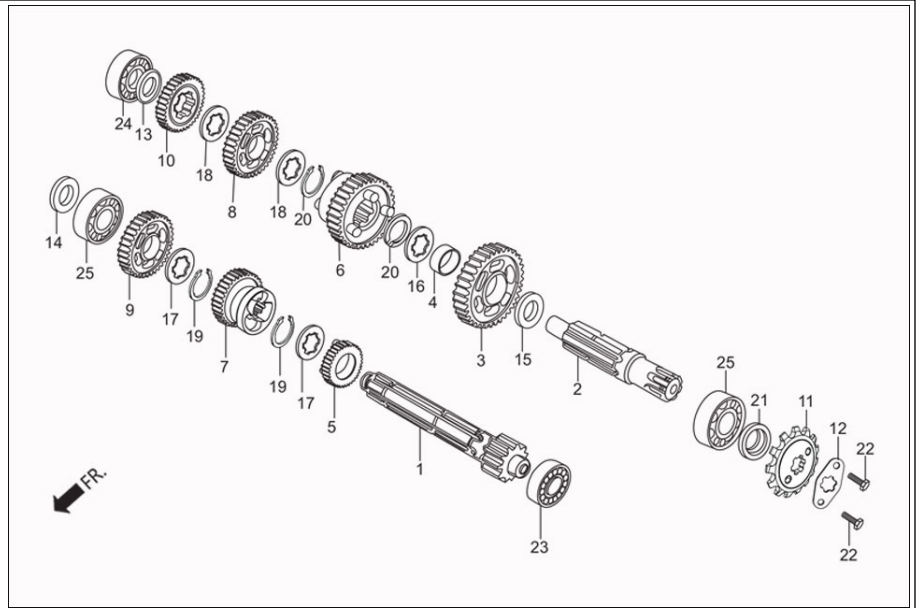
E-9

CRANKSHAFT/PISTON



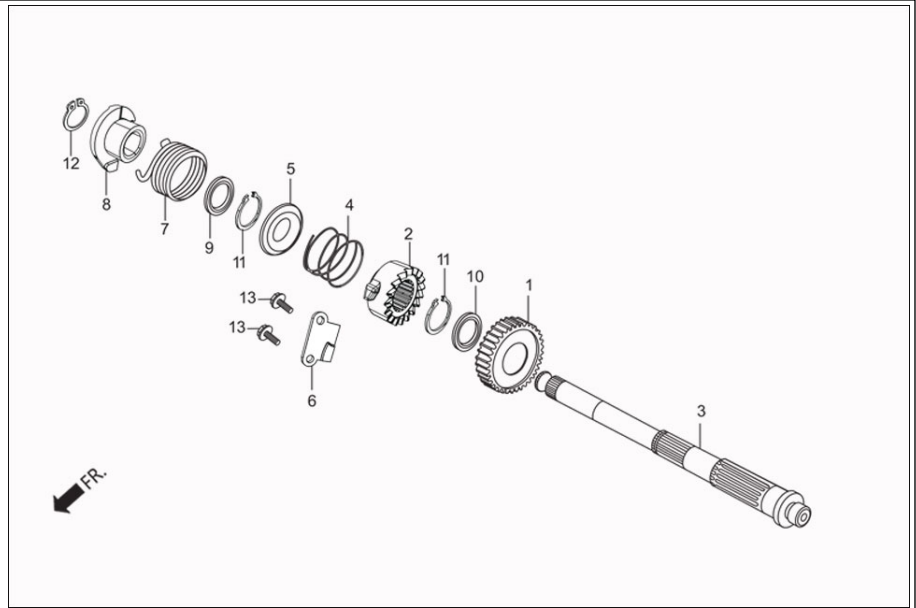
| Service Item | F.R.T. | Group Number: E-9 Model :: Splendor iSMART Euro III (Apr, 2017) | | | |
|---------------------------------|---------------|--|--------------------|-------------------------------|-------------|
| | | Ref No. | Part Number | Description | Req. |
| * CRANK SHAFT COMP | 4 | 1 | 13000-AAT-000 | CRANK SHAFT COMP, | 1 |
| * RING SET, PISTON | 1.3 | 2 | 13011-AAT-000 | RING SET, PISTON | 1 |
| * PISTON | -- | 3 | 13101-AAT-000 | PISTON | 1 |
| * PIN, PISTON | 1.2 | 4 | 13111-087-000 | PIN, PISTON | 1 |
| * ROD, CONNECTING (ACTUAL TIME) | -- | 5 | 13115-001-000 | CLIP, PISTON PIN | 2 |
| (INC. RELATIVE PART) | -- | 6 | 13201-GF6-300 | ROD, CONECTING | 1 |
| * BEARING, RADIAL BALL, 6304 | 4.2 | 7 | 13381-KCC-900L | PIN CRANK | 1 |
| (ADD 0.2 FOR EACH) | -- | 8 | 14311-035-000 | SPROCKET TIMING | 1 |
| | | 9 | 90741-KFB-000 | KEY,WOODRUFF,4 MM | 1 |
| | | 10 | 91001-GF6-000 | BEARING, RADIAL BALL, 6304 | 2 |
| | | 11 | 91101-AAF-000 | BEARING CONNECTING ROD(RED) | 1 |
| | | | 91102-AAF-000 | BEARING CONNECTING ROD(BLUE) | 1 |
| | | | 91103-AAF-000 | BEARING CONNECTING ROD(WHITE) | 1 |

E-10 TRANSMISSION



| Service Item | F.R.T. | Group Number: E-10 Model :: Splendor iSMART Euro III (Apr, 2017) | | | |
|---|---------------|---|--------------------|----------------------------------|-------------|
| | | Ref No. | Part Number | Description | Req. |
| * MAIN SHAFT (INC. RELATIVE PART) | *3.8 -- | 1 | 23211-GF6-000 | MAIN SHAFT (11T) | 1 |
| * COUNTER SHAFT (INC. RELATIVE PART) | -- | 2 | 23221-GF6-000 | COUNTER SHAFT | 1 |
| (WHEN SERVICING COMP., UNIT) | -- | 3 | 23421-GB4-770 | GEAR, COUNTER SHAFT LOW (35T) | 1 |
| F.R.T. IS 4.0 | -- | 4 | 23422-GB4-770 | BUSH, 20 X 9 | 1 |
| * SPROCKET, DRIVE | 0.2 | 5 | 23431-GN5-910 | GEAR, MAIN SHAFT SECOND (17T) | 1 |
| | | 6 | 23441-GB4-770 | GEAR, COUNTER SHAFT SECOND (29T) | 1 |
| | | 7 | 23451-GK4-761 | GEAR, M3 21T | 1 |
| | | 8 | 23461-GK4-760 | GEAR, COUNTER SHAFT THIRD (26T) | 1 |
| | | 9 | 23471-GN5-910 | GEAR, MAIN SHAFT FOURTH (24T) | 1 |
| | | 10 | 23481-HF7-000 | GEAR, COUNTER SHAFT FOURTH (23T) | 1 |
| | | 11 | 23801-178-000 | SPROCKET, DRIVE, (14T) | 1 |
| | | | 23801-AAD-305 | SPROCKET, DRIVE (14T) | 1 |
| | | 12 | 23802-040-000 | PLATE, DRIVE SPROCKET FIXING | 1 |
| | | 13 | 90451-GF6-000 | WASHER THRUST 12MM | 1 |
| | | 14 | 90451-198-000 | WASHER, THRUST, 17 MM | 1 |
| | | 15 | 90452-GB4-770 | WASHER, THRUST, 17MM | 1 |
| | | 16 | 90461-GB4-770 | WASHER, SPLINE, 20 X 1.2 | 1 |
| | | 17 | 90461-035-000 | WASHER, SPLINE, 17 MM | 2 |
| | | 18 | 90461-459-000 | WASHER, SPLINE, 20 MM | 2 |
| | | 19 | 90601-AAB-A00 | CIRCLIP 17 MM | 2 |
| | | 20 | 90601-459-000 | CIRCLIP, 20 MM | 2 |
| | | 21 | 91203-GB5-760 | OIL SEAL, 17 X 29 X 5 | 1 |
| | | 22 | 92000-06008-0H | BOLT HEX., 6 X 8 | 2 |
| | | 23 | 96100-60010-00 | BEARING , RADIAL BALL , 6001 | 1 |
| | | 24 | 96100-62010-00 | BEARING, RADIAL BALL, 6201 | 1 |
| | | 25 | 96100-62030-00 | BEARING, RADIAL BALL, 6203 | 2 |

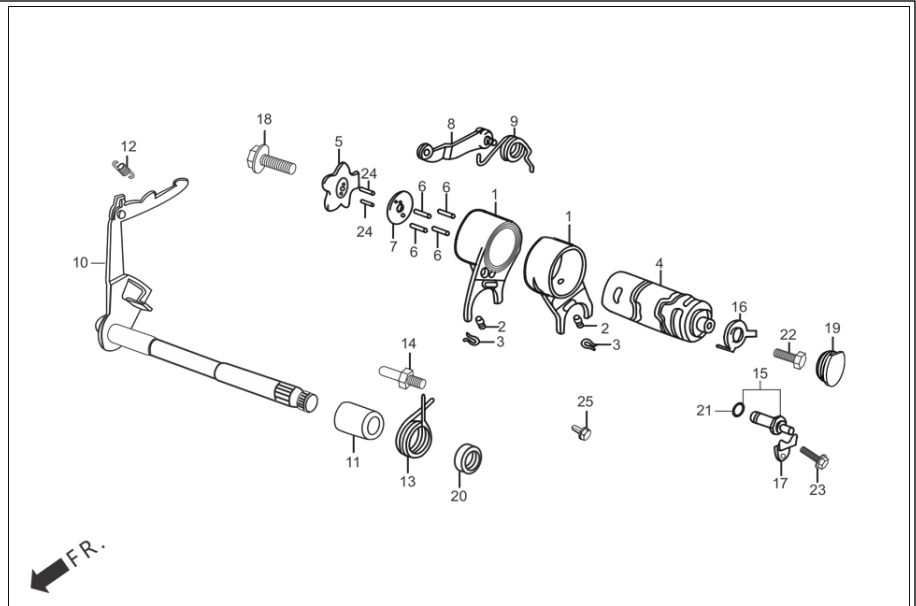
E-11
KICK STARTER



| Service Item | F.R.T. | Group Number: E-11 Model :: Splendor iSMART Euro III (Apr, 2017) | | | |
|---|---------------|---|--------------------|------------------------------|-------------|
| | | Ref No. | Part Number | Description | Req. |
| * MAIN SHAFT (INC. RELATIVE PART) | *3.8 -- | 1 | 28211-AAF-000 | PINION KICK STARTER | 1 |
| * COUNTER SHAFT (INC. RELATIVE PART) | -- | 2 | 28221-198-010 | RATCHET,KICK STARTER | 1 |
| (WHEN SERVICING COMP., UNIT) | -- | 3 | 28251-GF6-000 | SPINDLE, KICK STARTER | 1 |
| F.R.T. IS 4.0 | -- | 4 | 28253-397-000 | SPRING, KICK STARTER RATCHET | 1 |
| * SPROCKET, DRIVE | 0.2 | 5 | 28254-198-000 | RETAINER, RATCHET SPRING | 1 |
| | | 6 | 28256-198-000 | PLATE ,RATCHET GUIDE | 1 |
| | | 7 | 28261-198-000 | SPRING, KICK STARTER | 1 |
| | | 8 | 28262-198-000 | RETAINER, KICK SPRING | 1 |
| | | 9 | 90452-115-000 | WASHER ,17MM | 1 |
| | | 10 | 90454-107-000 | WASHER ,THRUST, 20MM | 1 |
| | | 11 | 90601-459-000 | CIRCLIP, 20 MM | 2 |
| | | 12 | 94510-16000 | CIRCLIP, EXTERNAL, 16 MM | 1 |
| | | 13 | 95701-06020-00 | BOLT, FLANGE, 6X20 | 2 |

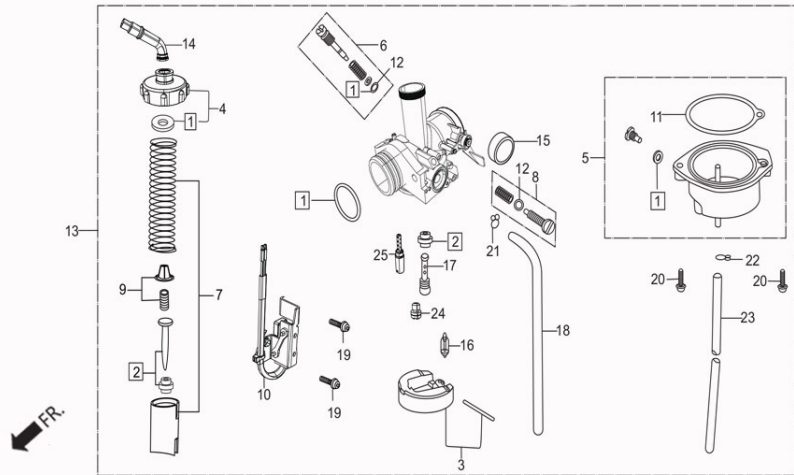
E-12

GEARSHIFT



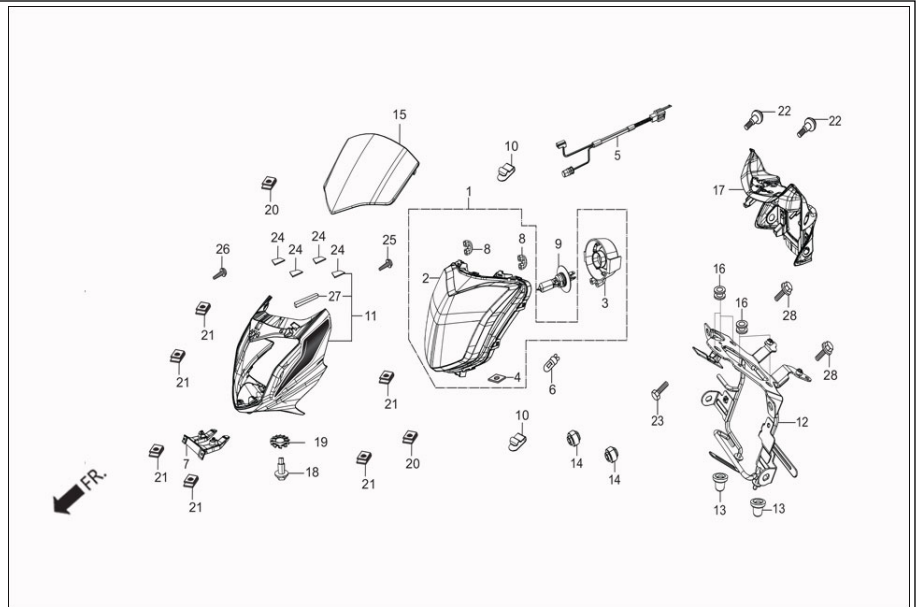
| Service Item | F.R.T. | Group Number: E-12 Model :: Splendor iSMART Euro III (Apr, 2017) | | | |
|---|---------------|---|--------------------|--------------------------------|-------------|
| | | Ref No. | Part Number | Description | Req. |
| * FORK GEAR SHIFT (ONE OR ALL) | *3.8 -- | 1 | 24211-GF6-000R | FORK, GEARSHIFT | 2 |
| * DRUM, GEAR SHIFT | -- | 2 | 24261-121-742 | PIN, GEARSHIFT FORK GUIDE | 2 |
| * PLATE, SHIFT DRUM STOPPER | -- | 3 | 24263-028-000 | CLIP, GEARSHIFT FORK GUIDE PIN | 2 |
| * ARM COMP., SHIFT DRUM STOPPER (INC. RELATIVE PART) | -- | 4 | 24301-KWA-930 | DRUM GEAR SHIFT | 1 |
| * SPINDLE COMP., GEAR SHIFT (INC. RELATIVE PART) | -- | 5 | 24411-198-900 | PLATE, SHIFT DRUM STOPPER | 1 |
| * CONTACT ASSY NEUTRAL SWITCH | 1.2 0.2 | 6 | 24421-200-000 | PIN, GEAR SHIFT DRUM | 4 |
| | | 7 | 24425-198-900 | PLATE, SHIFT DRUM SIDE | 1 |
| | | 8 | 24430-KST-900 | ARM COMP., SHIFT DRUM STOPPER | 1 |
| | | 9 | 24435-GB4-770 | SPRING SHIFTRUM STPR. | 1 |
| | | 10 | 24610-KST-940 | SPINDLE COMP., GEAR SHIFT | 1 |
| | | 11 | 24639-035-000L | COLLAR 12.2 MM | 1 |
| | | 12 | 24641-041-000 | SPRING ,GEAR SHIFT ARM | 1 |
| | | 13 | 24651-035-000L | SPRING GEARSHIFT REU | 1 |
| | | 14 | 24652-035-000 | PIN, SHIFT RETURN SPRING | 1 |
| | | 15 | 35750-001-000 | CONTACT ASSY., NEUTRAL SWITCH | 1 |
| | | 16 | 35753-035-010 | ROTOR, NEUTRAL SWITCH | 1 |
| | | 17 | 35755-001-000 | PLATE, CONTACT FIXING | 1 |
| | | 18 | 90022-GFP-900 | BOLT WASHER 6x16 | 1 |
| | | 19 | 90801-035-000 | PLUG, RUBBER, 19MM | 1 |
| | | 20 | 91208-KB4-670 | OIL SEAL, 11.6 X 24 X 10 | 1 |
| | | 21 | 91312-107-000 | O -RING, 7 X 1.7 | 1 |
| | | 22 | 92000-06016-0A | BOLT, HEX., 6 X 16 | 1 |
| | | 23 | 96001-06012-00 | BOLT,FLANGE,SH.,6 X 12 | 1 |
| | | 24 | 96220-30085 | ROLLER, 3 X 8.5 | 2 |
| | | 25 | 90071-171-010 | BOLT, KNOCK, 6 MM | 1 |

E-13 CARBURETTOR



| Service Item | F.R.T. | Group Number: E-13 Model :: Splendor iSMART Euro III (Apr, 2017) | | | |
|--------------------------------|---------------|---|--------------------|-----------------------|-------------|
| | | Ref No. | Part Number | Description | Req. |
| * NEEDLE SET, JET | 0.5 | 1 | 16010-AAT-000 | GASKET SET | 1 |
| * CARBURETTOR ASSY. | -- | 2 | 16012-AAT-000 | NEEDLE SET, JET | 1 |
| * FLOAT SET | 0.4 | 3 | 16013-KRB-901 | FLOAT, SET | 1 |
| * VALVE COMP., FLOAT JET, MAIN | -- | 4 | 16014-AAT-000 | TOP SET | 1 |
| * TOP SET | 0.2 | 5 | 16015-AAT-000 | CHAMBER SET, FLOAT | 1 |
| * CHAMBER SET, FLOAT | -- | 6 | 16016-KPH-651 | SCREW SET | 1 |
| * VALVE SET, THROTTLE | 0.3 | 7 | 16022-AAT-000 | VALVE SET, THROTTLE | 1 |
| | | 8 | 16028-KPH-901 | SCREW, SET | 1 |
| | | 9 | 16037-KPH-901 | PLATE SET, VALVE | 1 |
| | | 10 | 16060-AAT-000 | SWITCH ASSY, THROTTLE | 1 |
| | | 11 | 16163-GFP-901 | GASKET FLOAT CHAMBER | 1 |
| | | 12 | 16076-KPL-901 | O-RING | 2 |
| | | 13 | 16100-ABA-100 | CARBURETOR ASSY | 1 |
| | | 14 | 16118-AAT-000 | CAP, CABLE SEALING | 1 |
| | | 15 | 16148-KPL-901 | CAP,CHOKE LEVER DUST | 1 |
| | | 16 | 16155-KRS-861 | VALVE COMP., FLOAT | 1 |
| | | 17 | 16165-AAT-000 | HOLDER, NEEDLE JET | 1 |
| | | 18 | 16199-KWA-931 | TUBE AIR VENT | 1 |
| | | 19 | 93892-04010-10 | SCREW, WASH, 4X10 | 2 |
| | | 20 | 93892-04018-08L | SCREW, WASH. 4 X18 | 2 |
| | | 21 | 95002-02089 | CLIP, B1 8 TUBE | 1 |
| | | 22 | 95002-02659 | CLIP, B-1, 6.5 TUBE | 1 |
| | | 23 | 95005-35425-50 | TUBE, OVER FLOW | 1 |
| | | 24 | 99101-AAT-000 | JET MAIN # 110 | 1 |
| | | 25 | 99103-AAT-000 | JET, SLOW #35 | 1 |

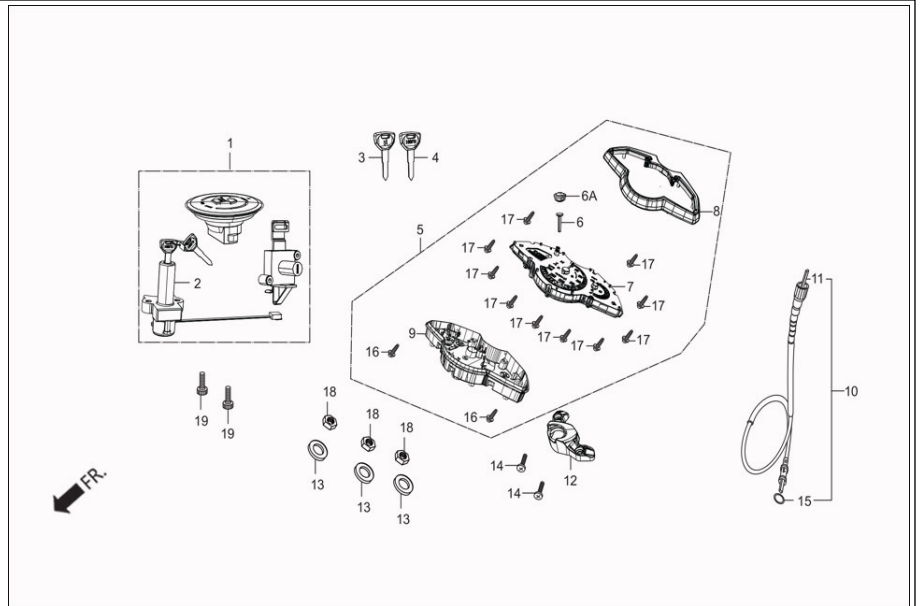
F-1 HEAD LIGHT



| Service Item | F.R.T. | Group Number: F-1 Model :: Splendor iSMART Euro III (Apr, 2017) | | | |
|---|---------------|--|--------------------|-------------------------------------|-------------|
| | | Ref No. | Part Number | Description | Req. |
| * HEADLIGHT ASSY | 0.1 | 1 | 3310A-ABA-001 | LIGHT ASSY HEAD W/O BULB | 1 |
| * RIM COMP., HEADLIGHT | -- | 2 | 33120-ABA-001 | UNIT, HEAD LIGHT | 1 |
| * UNIT, HEADLIGHT (INC. RELATIVE PART) | -- | 3 | 33112-KTN-921 | SOCKET COVER | 1 |
| * BULB, HEADLIGHT | -- | 4 | 33128-GBL-000 | NUT, SPECIAL | 1 |
| * SOCKET COMP., HEADLIGHT | 0.2 | 5 | 33130-ABA-001 | SOCKET COMP, HEAD & POSITION LIGHT | 1 |
| * PLATE FR., NUMBER | -- | 6 | 33301-KVE-900 | BULB, WEDGE BASE (T10, 12V-5W) | 1 |
| * BASE, FR. NUMBER PLATE | -- | 7 | 64315-ABA-000 | NUMBER PLATE STAY FRONT | 1 |
| | | 8 | 33706-ABA-000 | PIPE CP | 2 |
| | | 9 | 34901-KSP-910 | BULB, HEAD LIGHT | 1 |
| | | | 34901-KSP-910 | BULB, HEAD LIGHT | 1 |
| | | 10 | 53209-GAH-000 | CLIP, HEADLIGHT | 2 |
| | | 11 | 6130B-ABA-000R | COWL FR. SUB ASSY(TBM BL002M) | 1 |
| | | | 6130B-ABA-000S | COWL FR. SUB ASSY(HGM NH194M-U) | 1 |
| | | | 6130B-ABA-000T | COWL FR. SUB ASSY(SRD(TYPE-1) R321) | 1 |
| | | | 6130B-ABA-000U | COWL FR. SUB ASSY(SRD(TYPE-2) R321) | 1 |
| | | 12 | 61311-ABA-000 | STAY COMP FR COWL | 1 |
| | | 13 | 61312-149-300 | BOOT, HEADLIGHT BRACKET | 2 |
| | | 14 | 61313-ABA-000 | SPACER COV MAIN SWITCH | 2 |
| | | 15 | 64100-ABA-000 | SET, WIND SCREEN | 1 |
| | | 16 | 80101-443-000 | RUBBER, RR. FENDER CUSHION | 5 |
| | | 17 | 83402-ABA-000 | PANEL INNER | 1 |
| | | 18 | 90103-KVH-900 | BOLT, ADJUST | 1 |
| | | 19 | 90307-GJ6-000 | WASHER, LOCK, 6 MM | 1 |
| | | 20 | 90311-MT3-000 | NUT, CLIP, 6 MM | 2 |
| | | 21 | 90320-GC3-000 | NUT, SPRING, M5 | 6 |
| | | 22 | 91509-GE2-760 | SCREW, WASHER, 5 X 11.5 | 2 |
| | | 23 | 92000-06016-0A | BOLT, HEX., 6 X 16 | 1 |
| | | 24 | 77232-KVE-900 | CUSHION COWL CENTER B. | 4 |

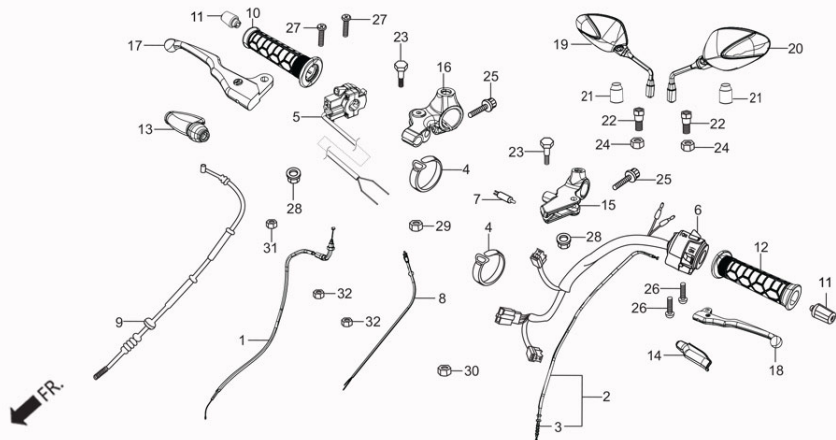
| | | | |
|----|----------------|--------------------------|---|
| 25 | 93901-32220 | SCREW TAPPING 3X10 | 1 |
| 26 | 93901-34310 | SCREW TAPPING 4X12 | 1 |
| 27 | 61308-ABA-000 | SPONGE | 1 |
| 28 | 96001-06016-07 | BOLT, FLANGE, SH. 6 X 16 | 2 |

F-2
SPEEDOMETER/CABLE/KEY SET



| Service Item | F.R.T. | Group Number: F-2 Model :: Splendor iSMART Euro III (Apr, 2017) | | | |
|------------------------------|---------------|--|--------------------|-------------------------|-------------|
| | | Ref No. | Part Number | Description | Req. |
| * KEY SET | 1.1 | 1 | 35010-ABA-001 | KEY SET | 1 |
| * SWITCH ASSY., COMB. & LOCK | 0.4 | 2 | 35100-AAF-H00 | SW ASSY., COMB & LOCK | 1 |
| *SPEEDOMETER ASSY | 0.3 | 3 | 35121-AAF-H00 | KEY BLANK NO 1 | 1 |
| * SPEEDOMETER COMP | 0.5 | 4 | 35122-AAF-H00 | KEY BLANK NO 2 | 1 |
| * CASE, UPPER ASSY | -- | 5 | 37100-ABA-001 | METER ASSY, COMB | 1 |
| * CASE, UNDER ASSY | -- | 6 | 37102-ABA-000 | KEY TOP | 1 |
| * SOCKET COMP | -- | 6A | 37103-ABA-000 | SWITCH RUBBER | 1 |
| * CABLE COMP., SPEEDOMETER | -- | 7 | 37110-ABA-001 | SPEEDOMETER COMP | 1 |
| * CABLE, COMP., INNER | 0.1 | 8 | 37113-ABA-001 | GLASS ASSY | 1 |
| | | 9 | 37112-ABA-001 | CASE UNDER ASSY | 1 |
| | | 10 | 44830-ABA-000 | CABLE COMP, SPEEDOMETER | 1 |
| | | 11 | 44831-ABA-000 | CABLE INNER | 1 |
| | | 12 | 53252-ABA-000 | COVER MAIN SWITCH | 1 |
| | | 13 | 94103-06700 | WASHER, PLAIN, 6 MM | 3 |
| | | 14 | 90109-ABA-000 | SCREW TRUSS 5X8 | 2 |
| | | 15 | 91352-GAZ-930 | O-RING 8.5X11.5 | 1 |
| | | 16 | 93901-34120 | SCREW, TAPPING, 4X8 | 2 |
| | | 17 | 93903-22480 | SCREW TAPPING 3 X 16 | 10 |
| | | 18 | 94001-06070-0S | NUT, HEX., 6 MM | 3 |
| | | 19 | 96700-08020-00 | BOLT SOCKET, 8 MM | 2 |

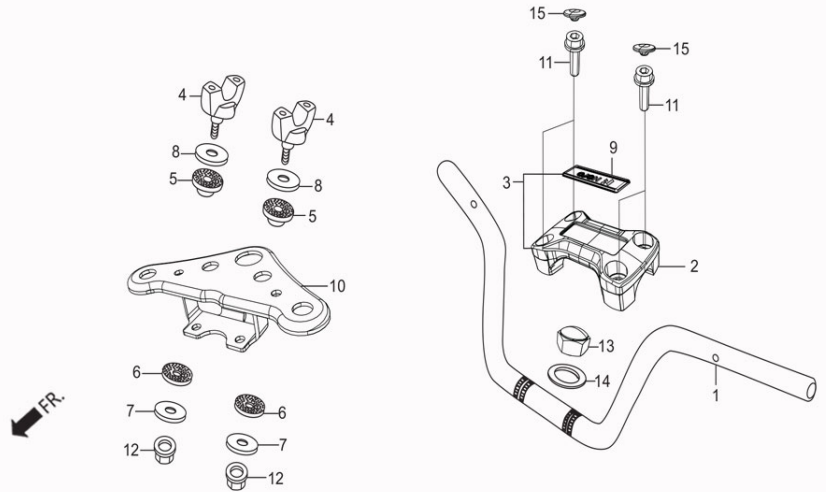
F-3
HANDLE LEVER/SWITCH/CONTROL
CABLE



| Service Item | F.R.T. | Group Number: F-3 Model :: Splendor iSMART Euro III (Apr, 2017) | | | |
|----------------------------|---------------|--|--------------------|----------------------------------|-------------|
| | | Ref No. | Part Number | Description | Req. |
| * CABLE COMP., THROTTLE | 0.3 | 1 | 17910-ABA-000 | CABLE COMP, THROTTLE | 1 |
| * CABLE COMP., CLUTCH | 0.2 | 2 | 22870-ABA-000 | CABLE COMP, CLUTCH | 1 |
| * SWITCH ASSY., WINKER | 0.5 | 3 | 22871-116-670 | BOOT, CLUTCH CABLE | 1 |
| * SWITCH ASSY., FR. STOP | -- | 4 | 32161-404-000 | BAND B-1,WIRE | 2 |
| * CABLE COMP., FR. BRAKE | -- | 5 | 35150-AAF-041 | SW. ASSY. START & I3S | 1 |
| * GRIP COMP., 'R' HANDLE | 0.6 | 6 | 35200-ABA-011 | SWITCH ASSY, WINKER | 1 |
| * GRIP 'L' HANDLE | 0.6 | 7 | 35330-413-003 | SW. COMP., FR. LEVER | 1 |
| * HOUSING UPPER, THROTTLE | -- | 8 | 35340-KST-950 | SWITCH ASSY., FR. STOP | 1 |
| * HOUSING UNDER, THROTTLE | -- | 9 | 45450-ABA-000 | CABLE COMP, FR BRAKE | 1 |
| * BRACKET 'R' HANDLE LEVER | -- | 10 | 53140-AAF-000 | GRIP COMP. THROTTLE | 1 |
| * BRACKET 'L' HANDLE LEVER | -- | 11 | 53105-KRC-900 | END STRG. HANDLE | 2 |
| * COVER 'R' HANDLE LEVER | -- | 12 | 53166-AAF-000 | GRIP L HANDLE | 1 |
| * COVER 'L' HANDLE LEVER | -- | 13 | 53171-KCC-900 | COVER R HANDLE LEVER | 1 |
| | | 14 | 53179-KTC-900 | COVER L HANDLE LEVER | 1 |
| | | 15 | 53172-KTC-920 | BRACKET, L HANDLE LEVER | 1 |
| | | 16 | 53173-KTR-A20 | BRACKET., R. HANDLE LEVER | 1 |
| | | 17 | 53175-AAF-H00 | LEVER COMP.R STRG.HNDL. | 1 |
| | | 18 | 53178-AAF-H00 | LEVER COMP.L STRG.HNDL. | 1 |
| | | 19 | 88110-ABA-000R | MIRROR ASSY R BACK(TBM,BL002M) | 1 |
| | | | 88110-ABA-000S | MIRROR ASSY R BACK(HGM,NH194M-U) | 1 |
| | | | 88110-ABA-000T | MIRROR ASSY R BACK(SRD,R321) | 1 |
| | | 20 | 88120-ABA-000R | MIRROR ASSY L BACK(TBM,BL002M) | 1 |
| | | | 88120-ABA-000S | MIRROR ASSY L BACK(HGM,NH194M-U) | 1 |
| | | | 88120-ABA-000T | MIRROR ASSY L BACK(SRD,R321) | 1 |
| | | 21 | 88114-198-D10 | CAP, LOCK NUT | 2 |
| | | 22 | 90003-MY5-720 | BOLT,ADPT.10MM | 2 |
| | | 23 | 90114-310-000 | BOLT, HANDLE LEVER PIVOT | 2 |
| | | 24 | 90201-KST-900 | NUT HEX., 10MM | 2 |

| | | | |
|----|----------------|--------------------|---|
| 25 | 92101-06025-0G | BOLT, HEX 6 X 25 | 2 |
| 26 | 93500-05020-0G | SCREW, PAN, 5 X 20 | 2 |
| 27 | 93500-05022-1G | SCREW, PAN, 5 X 22 | 2 |
| 28 | 94050-06000 | NUT, FLANGE, 6 MM | 2 |
| 29 | 94002-10070-0S | NUT, HEX., 10MM | 1 |
| 30 | 90304-KPL-900 | NUT HEX 5 MM | 1 |
| 31 | 94002-08000-0S | NUT HEX.8 MM | 2 |
| 32 | 94001-05070-0S | NUT HEX. 5MM | 2 |

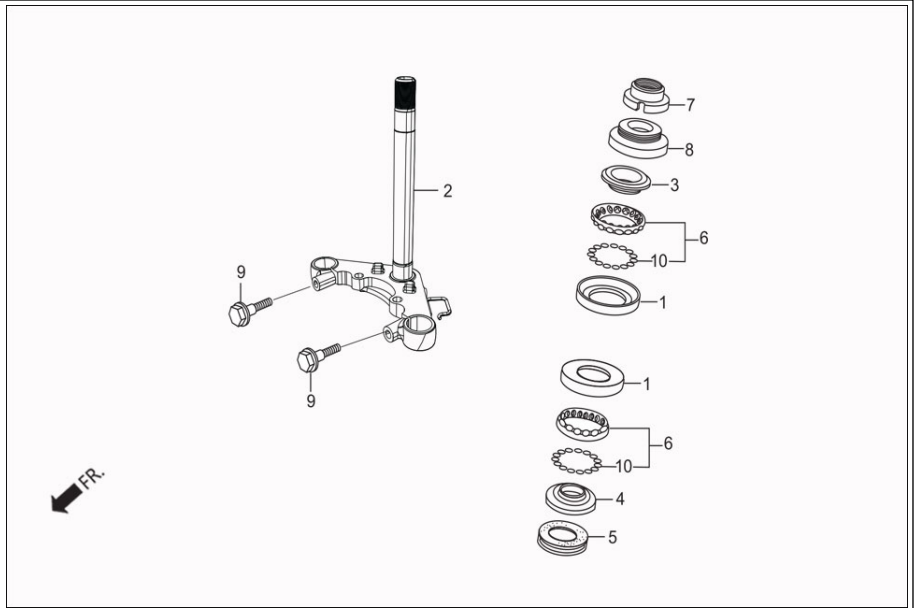
F-4
HANDLE PIPE/TOP BRIDGE



| Service Item | F.R.T. |
|---------------------------|---------------|
| * PIPE, STEERING HANDLE | 0.5 |
| * BRIDGE COMP., FORK TOP | -- |
| HOLDER, HANDLE PIPE UNDER | 0.2 |
| (ADD 0.1 FOR EACH) | -- |

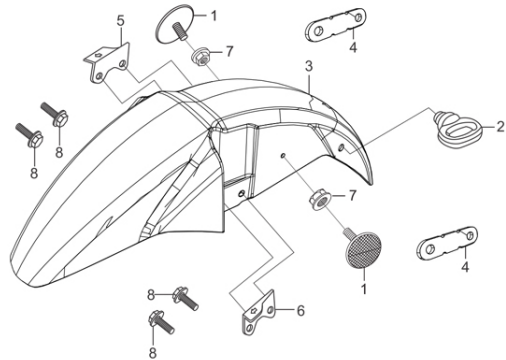
| Group Number: F-4 Model :: Splendor iSMART Euro III (Apr, 2017) | | | | |
|--|--------------------|--------------------------------|-------------|--|
| Ref No. | Part Number | Description | Req. | |
| 1 | 53100-ABA-000 | PIPE, STEERING HANDLE | 1 | |
| 2 | 53131-KTR-A20 | HOLDER, HANDLE UP | 1 | |
| 3 | 5313A-AAN-H20 | HOLDER HANDLE UP.SUB ASSY. | 1 | |
| 4 | 53132-124-000 | HOLDER, HANDLE PIPE UNDER | 2 | |
| 5 | 53133-198-900 | RUBBER, HANDLE CUSHION UPPER | 2 | |
| 6 | 53134-028-000 | RUBBER, HANDLE CUSHION UNDER | 2 | |
| 7 | 53135-198-900 | WASHER, HANDLE CUSHION | 2 | |
| 8 | 53136-198-900 | PLATE, HANDLE CUSHION | 2 | |
| 9 | 53132-KZN-900 | EMBLEM HANDLE RR COVER | 1 | |
| 10 | 53230-KST-950 | BRIDGE COMP., FORK TOP | 1 | |
| 11 | 90102-KVN-900 | BOLT, SP. FLANGE SOCKET 6 X 22 | 4 | |
| 12 | 90304-KST-942 | NUT FLG.PT 10MM | 2 | |
| 13 | 90304-KSP-900 | NUT, STEERING STEM | 1 | |
| 14 | 90503-KTR-900 | WASHER, STEERING STEM | 1 | |
| 15 | 91455-MG8-000 | CAP, SOC BOLT 6 MM | 4 | |

F-5 STEERING STEM



| Service Item | F.R.T. | Group Number: F-5 Model :: Splendor iSMART Euro III (Apr, 2017) | | | |
|---------------------------------------|---------------|--|--------------------|------------------------------|-------------|
| | | Ref No. | Part Number | Description | Req. |
| * RACE, STEERING BALL (ONE OR ALL) | 0.8 -- | 1 | 50301-KTR-900 | RACE, STEERING BALL | 2 |
| * STEM COMP., STEERING | 0.9 | 2 | 53200-ABA-000 | STEM COMP. STRG | 1 |
| * RACE, STEERING TOP CONE | 0.5 | 3 | 53211-268-010 | RACE, STEERING TOP CONE | 1 |
| * THREAD, STEERING HEAD TOP | -- | 4 | 53212-200-000 | RACE, STEERING BOTTOM CONE | 1 |
| | | 5 | 53214-200-000 | DUST SEAL, STEERING HEAD | 1 |
| | | 6 | 53215-KTR-900 | BALL, ASSY. STEERING | 2 |
| | | 7 | 53221-KTR-900 | THREAD, STEERING HEAD TOP | 1 |
| | | 8 | 53222-KTR-900 | MUD GUARD, STEERING HEAD TOP | 1 |
| | | 9 | 95701-08040-00 | BOLT, FLANGE, 8 X 40 | 2 |
| | | 10 | 96211-08000 | BALL STEEL 8 MM | 16 |

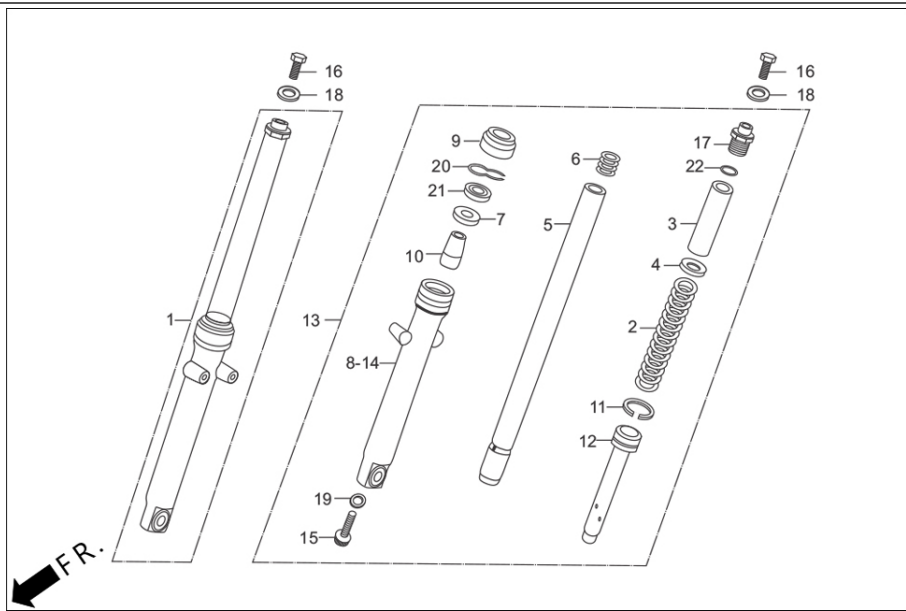
F-6
FRONT FENDER



←FR.

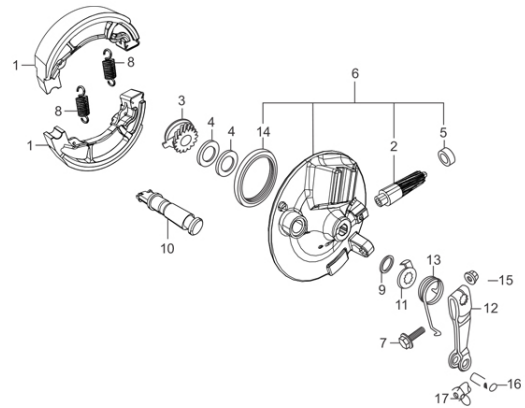
| Service Item | F.R.T. | Group Number: F-6 Model :: Splendor iSMART Euro III (Apr, 2017) | | | |
|------------------------------------|---------------|--|--------------------|---------------------------|-------------|
| * FENDER COMP., FRONT (HCR) | 0.2 | Ref No. | Part Number | Description | Req. |
| | | 1 | 33741-KAK-971 | REFLEX, LEFT FRONT | 2 |
| | | 2 | 45451-ABA-000 | GUIDE, FR. (FENDER) CABLE | 1 |
| | | 3 | 61101-ABA-000R | FENDER FR TBM BL002M | 1 |
| | | | 61101-ABA-000S | FENDER FR HGM NH194M-U | 1 |
| | | | 61101-ABA-000T | FENDER FR SRD TYPE-1 R321 | 1 |
| | | 4 | 61102-ABA-000 | PLATE FR FENDER | 2 |
| | | 5 | 61103-KST-940 | COLLER, FR. FENDER R | 1 |
| | | 6 | 61104-KST-940 | COLLER, FR. FENDER L | 1 |
| | | 7 | 94050-06000 | NUT, FLANGE, 6 MM | 2 |
| | | 8 | 95701-06020-00 | BOLT, FLANGE, 6X20 | 4 |

F-7
FRONT FORK



| Service Item | F.R.T. | Group Number: F-7 Model :: Splendor iSMART Euro III (Apr, 2017) | | | |
|--|---------------|--|--------------------|------------------------|-------------|
| | | Ref No. | Part Number | Description | Req. |
| * FORK ASSY., R/L FR (ADD 0.2 FOR EACH) | 0.5 -- | 1 | 51400-KTR-A01 | FORK ASSY., RFR. | 1 |
| * SPRING, FR. CUSHION (ADD 0.2 FOR EACH) | -- -- | 2 | 51401-KST-941 | SPRING, FR. CUSHION | 2 |
| * PIPE COMP., FR. FORK (ADD 0.5 FOR EACH) | 0.8 -- | 3 | 51403-KCC-900 | COLLAR, SPRING | 2 |
| * PIPE COMP., FR. FORK (ADD 0.5 FOR EACH) | 0.8 -- | 4 | 51403-447-730 | JOINT, SPRING | 2 |
| * CASE R/L FR. BOTTOM (ADD 0.5 FOR EACH) | 0.9 -- | 5 | 51410-KWA-941 | PIPE COMP. FR. FORK | 2 |
| | | 6 | 51412-KAG-900 | SPRING, REBOUND | 2 |
| | | 7 | 51412-KWA-941 | RING BACKUP | 2 |
| | | 8 | 51420-KTR-A01 | CASE, RFR. BOTTOM | 1 |
| | | 9 | 51425-KST-901 | SEAL, DUST | 2 |
| | | 10 | 51432-KST-901 | PIECE, OIL LOCK | 2 |
| | | 11 | 51437-KVN-901 | RING, PISTON | 2 |
| | | 12 | 51440-KTR-901 | PIPE, SEAT | 2 |
| | | 13 | 51500-KTR-A01 | FORK ASSY., LFR. | 1 |
| | | 14 | 51520-KTR-A01 | CASE, LFR. BOTTOM | 1 |
| | | 15 | 90116-KAG-900 | BOLT, SOCKET, 8 MM | 2 |
| | | 16 | 90123-KRM-860 | BOLT, FR. FORK | 2 |
| | | 17 | 90123-KST-941 | BOLT, A FR. FORK | 2 |
| | | 18 | 90521-292-000 | WASHER, PLAIN, 10.3 MM | 2 |
| | | 19 | 90544-439-930 | WASHER, SPECIAL, 8 MM | 2 |
| | | 20 | 90601-GF5-730 | RING, OIL SEAL STOPPER | 2 |
| | | 21 | 91255-KWA-941 | SEAL OIL 30×42×11 | 2 |
| | | 22 | 91356-KAG-900 | O - RING | 2 |

F-8
FR. BRAKE PANEL

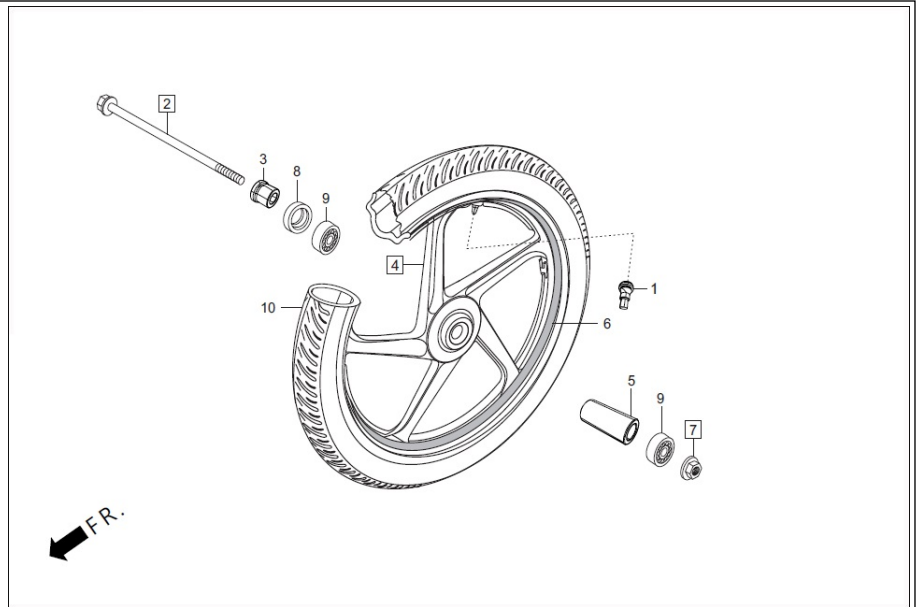


FR.

| Service Item | F.R.T. |
|--|---------------|
| * GEAR, SPEEDOMETER | 0.3 |
| * PINION, SPEEDOMETER | 0.6 |
| * PANEL SUB COMP., FR. BRAKE (INC. RELATIVE PART) | 0.4 -- |
| * SHOE COMP., BRAKE (ONE OR ALL) | -- -- |
| * ARM. FR. BRAKE (INC. RELATIVE PART) | 0.1 -- |

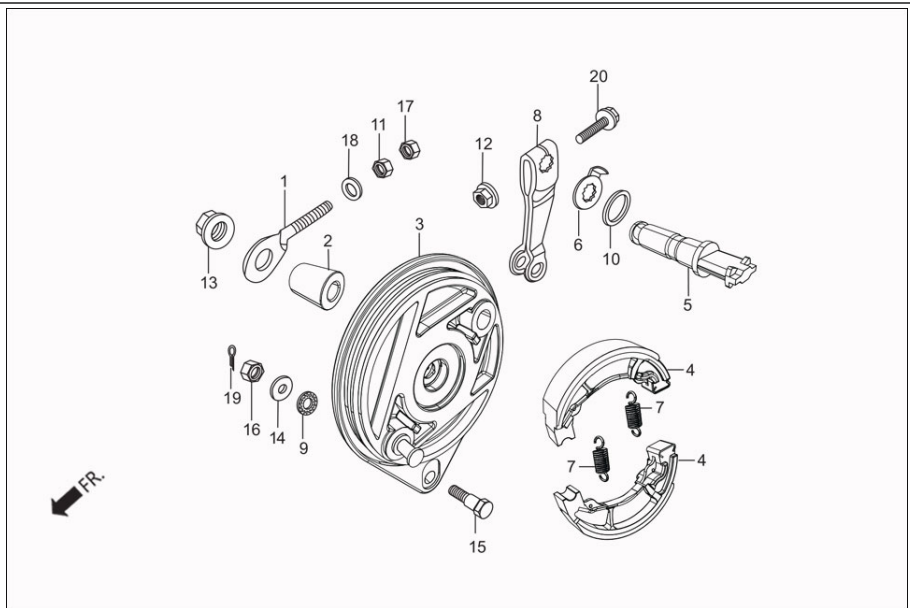
| Group Number: F-8 Model :: Splendor iSMART Euro III (Apr, 2017) | | | | |
|--|--------------------|--------------------------|-------------|--|
| Ref No. | Part Number | Description | Req. | |
| 1 | 43125-AAD-000 | SHOE COMP., BRAKE | 2 | |
| | 45125-AAH-F0099 | SHOE COMP BRAKE | 2 | |
| | 45125-AAH-F0099 | SHOE COMP BRAKE | 2 | |
| 2 | 44805-KTC-900 | PINION, SPEEDOMETER | 1 | |
| 3 | 44806-KST-900 | GEAR, SPEEDOMETER | 1 | |
| 4 | 44809-170-000 | WASHER, SPEEDOMETER GEAR | 2 | |
| 5 | 44810-KTC-900 | BUSH, PINION | 1 | |
| 6 | 45010-AAC-030 | PANEL SUB FRONT BRAKE | 1 | |
| 7 | 95701-06032-00 | BOLT, FLANGE, 6 X 32 | 1 | |
| 8 | 45133-KCC-900 | SPRING, FR. BRAKE SHOE | 2 | |
| 9 | 45134-250-000 | DUST SEAL, BRAKE CAM | 1 | |
| 10 | 45141-KTC-900 | CAM FR. BRAKE | 1 | |
| 11 | 45145-096-650 | INDICATOR, FR. BRAKE | 1 | |
| 12 | 45410-KTR-A20 | ARM, FR. BRAKE | 1 | |
| 13 | 45435-GB2-720 | SPRING, BRAKE ARM RETURN | 1 | |
| 14 | 91251-GK4-000 | OIL SEAL, 47X60X7 | 1 | |
| 15 | 94050-06000 | NUT, FLANGE, 6 MM | 1 | |
| 16 | 95015-32001 | JOINT B BRAKE ARM | 1 | |
| 17 | 95015-42000 | NUT B ADJUST | 1 | |

F-9
FRONT WHEEL



| Service Item | F.R.T. | Group Number: F-9 Model :: Splendor iSMART Euro III (Apr, 2017) | | | |
|------------------------------|---------------|--|--------------------|-----------------------------|-------------|
| | | Ref No. | Part Number | Description | Req. |
| * TUBE, TYRE | 0.9 | 1 | 42753-KWF-90099 | RIM VALVE | 1 |
| * TYRE, FR. (2.75 X 18-4 PR) | -- | 2 | 44301-KTR-700 | AXLE, FR. WHEEL | 1 |
| * AXLE, FR. WHEEL | 0.2 | 3 | 44311-KRC-900 | COLLAR, FR. WHEEL SIDE | 1 |
| * HUB, FR. WHEEL | 2.5 | 4 | 44601-AAF-030 | WHEEL COMP FR | 1 |
| * COLLAR, FR. AXLE DISTANCE | 0.4 | 5 | 44620-400-000 | COLLAR, FRONT DISTANCE | 1 |
| * BEARING RADIAL BALL, 6301U | -- | 6 | 44622-AAF-001 | WHEEL TAPE | 1 |
| (ADD 0.1 FOR EACH) | -- | 7 | 90306-KTE-911 | NUT, CASTLE, 12 MM | 1 |
| * RIM, FR. WHEEL | 2.2 | | 90306-KST-942 | NUT, CASTLE, 12 MM | 1 |
| * OIL SEAL, 21 X 37 X 7 | 0.3 | 8 | 91251-KPH-901 | DUST SEAL, 21 X 37 X 7 | 1 |
| | | 9 | 96140-63010-10 | BEARING, RADIAL BALL, 6301U | 2 |
| | | 10 | 44711-KRY-971 | TYRE,FR | 1 |

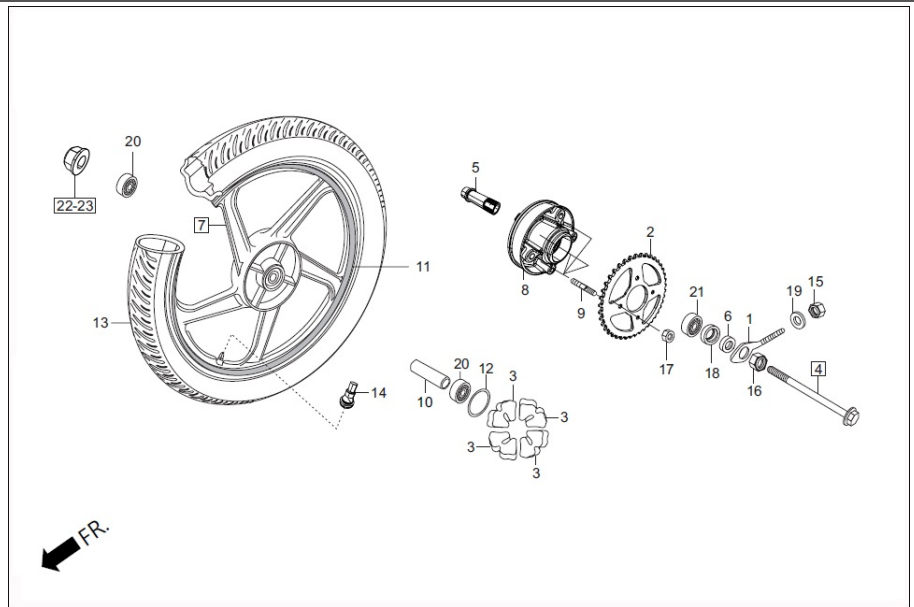
F-10
REAR BRAKE PANEL



| Service Item | F.R.T. | Group Number: F-10 Model :: Splendor iSMART Euro III (Apr, 2017) | | | |
|-------------------------------------|---------------|---|--------------------|------------------------------|-------------|
| | | Ref No. | Part Number | Description | Req. |
| * PANEL COMP., RR. BRAKE | 0.5 | 1 | 40543-198-900 | ADJUSTER, R CHAIN | 1 |
| * SHOE COMP., BRAKE (ONE OR ALL) | 0.4 | 2 | 42313-198-900 | COLLAR, RR. BRAKE PANEL SIDE | 1 |
| * ARM, RR. BRAKE | 0.1 | 3 | 43100-153-610Z | PANEL COMP., RR. BRAKE | 1 |
| (INC. RELATIVE PART) | -- | 4 | 43125-KST-940 | SHOE COMP. BRAKE | 2 |
| | | 5 | 43141-KST-920 | CAM , RR. BRAKE | 1 |
| | | 6 | 43145-GC5-000 | INDICATOR, RR. BRAKE | 1 |
| | | 7 | 43151-110-000 | SPRING, BRAKE SHOE | 2 |
| | | 8 | 43410-KST-940 | ARM RR. BRAKE | 1 |
| | | 9 | 43434-286-000 | RUBBER, STOPPER ARM CUSHION | 1 |
| | | 10 | 45134-250-000 | DUST SEAL, BRAKE CAM | 1 |
| | | 11 | 90302-KBP-900 | NUT SPL 6 MM | 1 |
| | | 12 | 90302-KTE-911 | NUT FLANGE PT 6MM | 1 |
| | | | 90302-KTE-911 | NUT FLANGE PT 6MM | 1 |
| | | 13 | 90306-KTE-911 | NUT, CASTLE, 12 MM | 1 |
| | | | 90306-KST-942 | NUT, CASTLE, 12 MM | 1 |
| | | 14 | 90505-425-000 | WASHER, 8 MM | 1 |
| | | 15 | 92811-10000 | BOLT A BRAKE STOPPER | 1 |
| | | 16 | 94001-08000-0S | NUT, HEX., 8 MM | 1 |
| | | 17 | 94001-06000-0S | NUT, HEX., 6 MM | 1 |
| | | 18 | 94101-06000 | WASHER, PLAIN, 6 MM | 1 |
| | | 19 | 94201-20150 | PIN, SPLIT, 2.0 X 15 | 1 |
| | | 20 | 95701-06035-00 | BOLT, FLANGE, 6X35 | 1 |

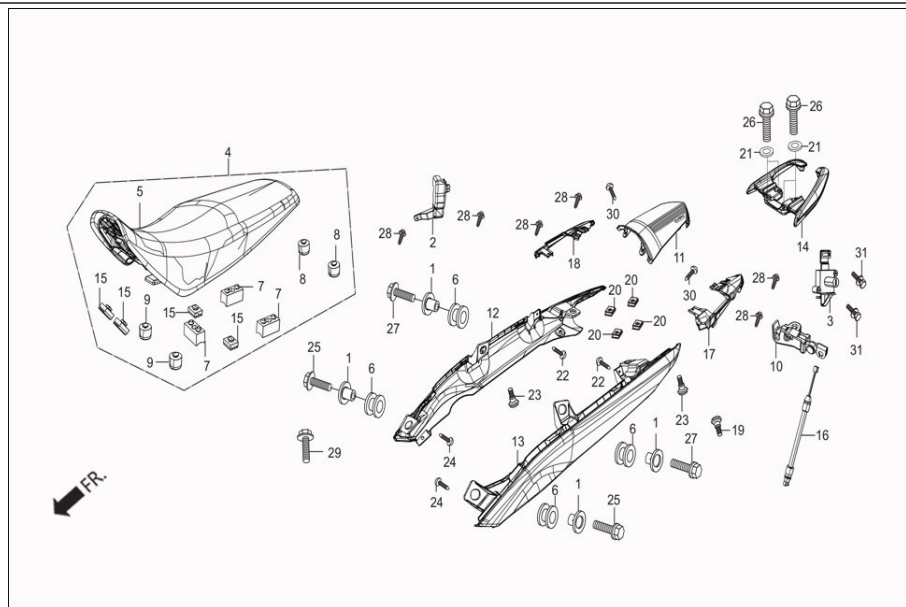
F-11

REAR WHEEL



| Service Item | F.R.T. | Group Number: F-11 Model :: Splendor iSMART Euro III (Apr, 2017) | | | |
|--|---------------|---|--------------------|---------------------------------|-------------|
| | | Ref No. | Part Number | Description | Req. |
| * AXLE, RR. WHEEL | 0.2 | 1 | 40544-198-900 | ADJUSTER, L CHAIN | 1 |
| * SPROCKET, FINAL DRIVEN | 0.7 | 2 | 41201-ABA-000 | SPROCKET FINAL DRIVEN 40T | 1 |
| * DAMPER, RR. WHEEL (ONE OR ALL) | 0.4 -- | 3 | 41241-KST-941 | DAMPER, RR. WHEEL | 4 |
| * COLLAR, RR. AXLE DISTANCE | -- | 4 | 42301-ABA-000 | AXLE RR WHEEL | 1 |
| * BEARING, RADIAL BALL, 6301 (ADD 0.1 FOR EACH) | -- -- | 5 | 42303-AAC-500 | SLEEVE, RR. WHEEL | 1 |
| * SLEEVE, RR. WHEEL | 0.5 | 6 | 42304-198-900 | COLLAR, RR.AXLE SLEEVE | 1 |
| * HUB, RR. WHEEL | 2.5 | 7 | 42601-AAF-030 | WHEEL COMP. RR | 1 |
| * FLANGE, FINAL DRIVEN | 0.8 | 8 | 42611-KST-940 | FLANGE, FINAL DRIVEN | 1 |
| * TYRE, RR (2.75-18-6PR) | 0.9 | 9 | 42615-198-900 | BOLT, STUD., 8 X 42 | 4 |
| * RIM, WHEEL (1.60 X 18) | 2.3 | 10 | 42620-GB6-920 | COLLAR, RR AXLE DISTANCE | 1 |
| * BEARING, RADIAL BALL, 6203 | 0.6 | 11 | 42622-AAF-001 | WHEEL TAPE | 2 |
| | | 12 | 42653-001-000 | O-RING 40.5 X 3 | 1 |
| | | 13 | 42711-AAF-00099 | TYRE, REAR | 1 |
| | | 14 | 42753-KWF-90099 | RIM VALVE | 1 |
| | | 15 | 90302-KBP-900 | NUT SPL 6 MM | 1 |
| | | 16 | 90307-001-000 | NUT ,RR. AXLE SLEEVE | 1 |
| | | 17 | 90309-357-000 | NUT, HEX ,8MM | 4 |
| | | 18 | 90753-029-000 | OIL SEAL, 27 X 40 X 6 | 1 |
| | | 19 | 94101-06000 | WASHER, PLAIN, 6 MM | 1 |
| | | 20 | 96140-63010-10 | BEARING, RADIAL BALL, 6301U | 2 |
| | | 21 | 96150-62030-10 | BEARING, BALL RADIAL, 6203 (UU) | 1 |
| | | 22 | 90306-KTE-911 | NUT, CASTLE, 12 MM | 1 |
| | | 23 | 90306-KST-942 | NUT, CASTLE, 12 MM | 1 |

F-12
SEAT ASSY./REAR COWL/GRIP REAR

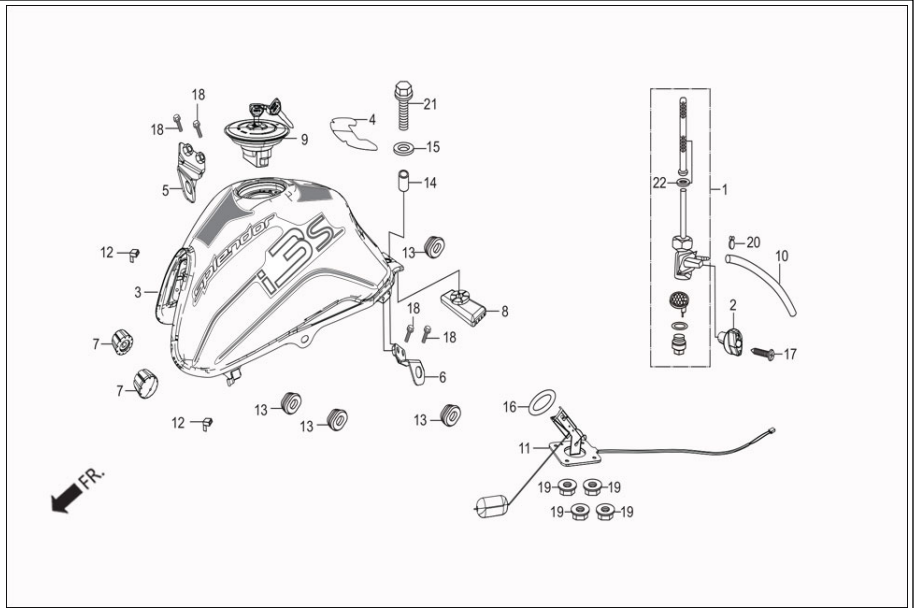


| Service Item | F.R.T. |
|------------------------|--------|
| * SEAT ASSY., DOUBLE | 0.1 |
| * SET, CENTER RR. COWL | -- |
| * SET, RIGHT SIDE COWL | -- |
| * SET, LEFT SIDE COWL | -- |
| * GRIP, REAR | -- |

| Group Number: F-12 Model :: Splendor iSMART Euro III (Apr, 2017) | | | | |
|--|----------------|-----------------------------------|------|--|
| Ref No. | Part Number | Description | Req. | |
| 1 | 17509-398-960 | COLLAR, TANK SET | 4 | |
| 2 | 77033-ABA-000 | COVER SEAT CABLE LOCK | 1 | |
| 3 | 77110-AAC-H00 | LOCK ASSY SEAT | 1 | |
| 4 | 77200-ABA-000 | SEAT COMP, DOUBLE | 1 | |
| 5 | 7720B-ABA-000 | COVER ASSY SEAT | 1 | |
| 6 | 77202-KCC-900 | RUBBER, SEAT MOUNTING | 4 | |
| 7 | 77204-KCC-900 | RUBBER, `A SEAT SETTING | 3 | |
| 8 | 77206-ABA-000 | RUBBER SEAT CUSHION | 2 | |
| 9 | 77206-KTR-900 | RUBBER, SEAT CUSHION | 2 | |
| 10 | 77220-KY6-000 | HOOK, SEAT CATCH | 1 | |
| 11 | 77230-ABA-000R | SET RR CTR COWL TBM BL002M | 1 | |
| | 77230-ABA-000S | SET RR CTR COWL HGM NH194M-U | 1 | |
| | 77230-ABA-000T | SET RR CTR COWL SRD TYPE-1 R321 | 1 | |
| | 77230-ABA-000U | SET RR CTR COWL(SRD(TYPE-2) R321) | 1 | |
| 12 | 77246-ABA-000R | COWL R RR (TECHNO BLUE ME) | 1 | |
| | 77246-ABA-000S | COWL R RR HGM NH194M-U | 1 | |
| | 77246-ABA-000T | COWL R RR SRD TYPE-1 R321 | 1 | |
| 13 | 77256-ABA-000R | COWL L RR (TECHNO BLUE ME) | 1 | |
| | 77256-ABA-000S | COWL L RR HGM NH194M-U | 1 | |
| | 77256-ABA-000T | COWL L RR SRD TYPE-1 R321 | 1 | |
| 14 | 77300-ABA-0001 | GRIP REAR(BLK, NH-1) | 1 | |
| | 77300-ABA-0002 | GRIP REAR(BSM, NH-373M) | 1 | |
| 15 | 50524-001-000 | RUBBER, MAIN STAND STOPPER | 4 | |
| 16 | 77156-ABA-000 | CABLE SEAT LOCK | 1 | |
| 17 | 77221-ABA-0001 | COWL RR L LIGHT(BLK, NH-1) | 1 | |
| | 77221-ABA-0002 | COWL RR L LIGHT(BSM, NH-373M) | 1 | |
| 18 | 77222-ABA-0001 | COWL RR R LIGHT(BLK, NH-1) | 1 | |
| | 77222-ABA-0002 | COWL RR R LIGHT(BSM, NH-373M) | 1 | |

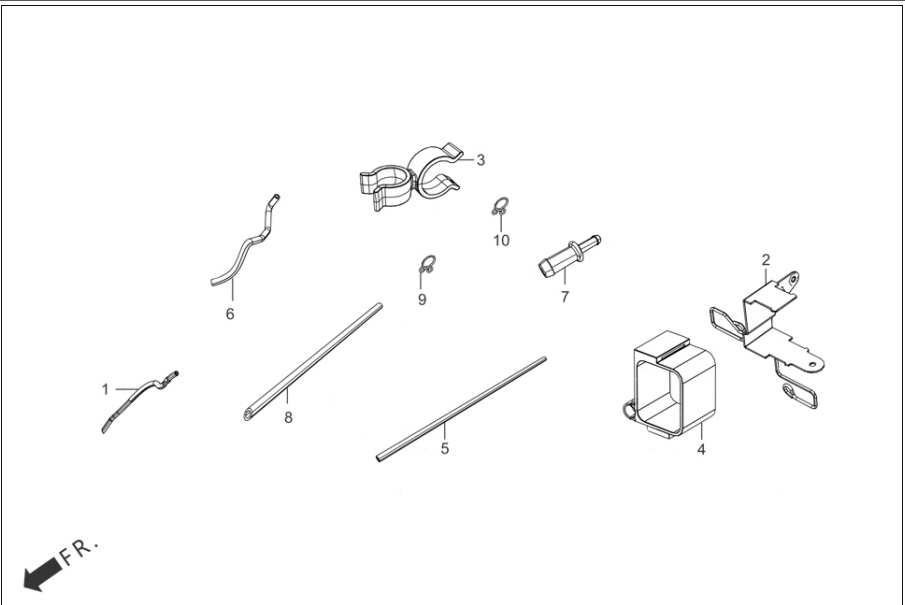
| | | | |
|----|----------------|-------------------------|---|
| 19 | 90101-GE0-000 | SCREW, HINGE PATCH | 1 |
| 20 | 90320-GC3-000 | NUT, SPRING, M5 | 4 |
| 21 | 90505-KY4-900 | WASHER,PLAIN ,8 MM | 4 |
| 22 | 91509-GE2-760 | SCREW, WASHER, 5 X 11.5 | 2 |
| 23 | 93903-35280 | SCREW, TAPPING, 5 X 12 | 2 |
| 24 | 93903-34410 | SCREW, TAPPING, 4 X 16. | 2 |
| 25 | 95701-06020-00 | BOLT, FLANGE, 6X20 | 2 |
| 26 | 95701-08030-07 | BOLT, FLANGE 8X30 | 4 |
| 27 | 95701-06025-07 | BOLT FLANGE 6X25 | 2 |
| 28 | 90101-087-720 | SCREW, HEAD LIGHT SET | 6 |
| 29 | 95701-06012-00 | BOLT, FLANGE, 6X12 | 1 |
| 30 | 90381-ABA-000 | SCREW SPL 6 X 13 | 2 |
| 31 | 90107-GZ4-670 | BOLT, BREAK OFF | 2 |

F-13
FUEL TANK



| Service Item | F.R.T. | Group Number: F-13 Model :: Splendor iSMART Euro III (Apr, 2017) | | | |
|-------------------------|---------------|---|--------------------|------------------------------------|-------------|
| | | Ref No. | Part Number | Description | Req. |
| * COCK ASSY., FUEL | 0.2 | 1 | 16950-ABA-00099 | COCK ASSY FUEL | 1 |
| * SCREEN, FUEL STRAINER | -- | 2 | 16955-ABA-000 | LEVER FUEL COCK | 1 |
| * TANK SET, FUEL | 0.3 | 3 | 17500-ABA-000R | SET, FUEL TANK (TECHNO BLUE ME) | 1 |
| | | | 17500-ABA-000S | SET, FUEL TANK (HEAVY GRAY ME) | 1 |
| | | | 17500-ABA-000T | SET, FUEL TANK (SPORTS RED) TYPE-1 | 1 |
| | | | 17500-ABA-000U | SET, FUEL TANK (SPORTS RED) TYPE-2 | 1 |
| | | 4 | 17506-ABA-000 | TANK FILM PROTECTOR | 1 |
| | | 5 | 17554-ABA-000 | STAY SIDE COV RH ASSY | 1 |
| | | 6 | 17555-ABA-000 | STAY SIDE COV LH ASSY | 1 |
| | | 7 | 17611-KTR-A00 | CUSHION, FRONT FUEL TANK | 2 |
| | | 8 | 17613-KCC-900 | CUSHION, RR. TANK | 1 |
| | | 9 | 17620-AAG-501 | CAP COMP. FUEL FILLER | 1 |
| | | 10 | 17681-KTN-700 | TUBE, FUEL | 1 |
| | | 11 | 37800-ABA-000 | UNIT ASSY FUEL | 1 |
| | | | 37800-KVH-870 | UNIT ASSY., FUEL | 1 |
| | | 12 | 83502-KCC-900 | GROMMET, SIDE COVER | 2 |
| | | 13 | 83551-300-000 | GROMMET, AIR CLEANER CASE | 4 |
| | | 14 | 90324-KCC-870 | COLLAR, 8 MM | 1 |
| | | 15 | 90325-KCC-900 | WASHER, PLAIN, 8 MM | 1 |
| | | 16 | 91305-MC7-000 | O-RING, 39.5 X 5 | 1 |
| | | | 91305-443-740 | O RING, 39.5 X 5 | 1 |
| | | 17 | 93500-04025-0G | SCREW, PAN, 4X25 | 1 |
| | | 18 | 96001-06012-07 | BOLT, FLANGE, SH., 6 X 12 | 4 |
| | | 19 | 94050-06000 | NUT, FLANGE, 6 MM | 4 |
| | | 20 | 95002-02100 | CLIP, B-10 TUBE | 1 |
| | | 21 | 95701-08035-08 | BOLT, FLANGE, 8 X 35 | 1 |
| | | 22 | 16958-397-770 | O-RING | 1 |

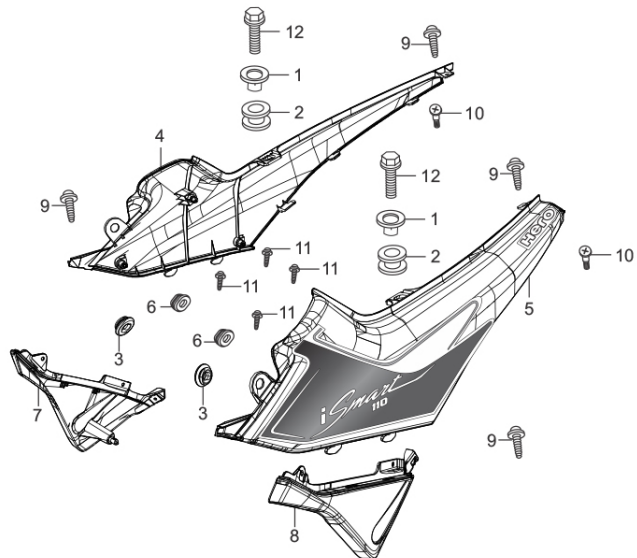
F-13A
CANISTER ASSY.



| Service Item | F.R.T. | Group Number: F-13A Model :: Splendor iSMART Euro III (Apr, 2017) | | | |
|-------------------------|---------------|--|--------------------|--------------------|-------------|
| | | Ref No. | Part Number | Description | Req. |
| * COCK ASSY., FUEL | 0.2 | 1 | 17199-ABA-000 | TUBE DRAIN B | 1 |
| * SCREEN, FUEL STRAINER | -- | 2 | 17300-ABA-000 | CANISTER STAY | 1 |
| * TANK SET, FUEL | 0.3 | 3 | 17369-ABA-000 | CLIP TUBE DRAIN | 1 |
| | | 4 | 17411-ABA-000 | SUSP CANISTER | 1 |
| | | 5 | 17371-ABA-100 | TUBE BREATHER | 1 |
| | | 6 | 17682-ABA-000 | TUBE DRAIN A | 1 |
| | | 7 | 17525-KVE-900 | JOINT TUBE | 1 |
| | | 8 | 95005-80350-20 | TUBE, FUEL 8 X 350 | 1 |
| | | 9 | 95002-02080 | CLIP, TUBE | 1 |
| | | 10 | 95002-50000 | CLIP, C9 TUBE | 1 |

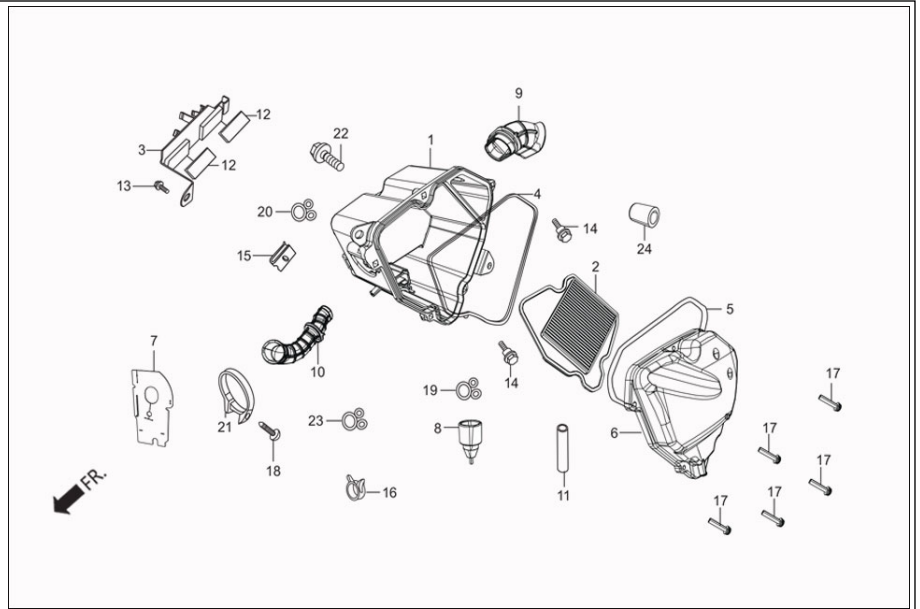
F-14
SIDE COVER

FR.



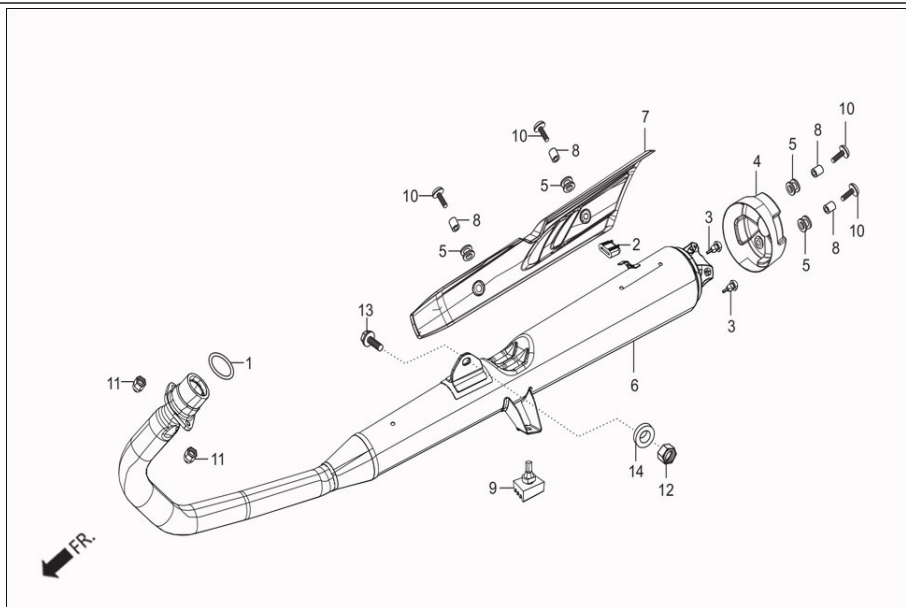
| Service Item | F.R.T. | Group Number: F-14 Model :: Splendor iSMART Euro III (Apr, 2017) | | | |
|-------------------------|---------------|---|--------------------|---------------------------------------|-------------|
| | | Ref No. | Part Number | Description | Req. |
| * SET, RIGHT SIDE COVER | 0.1 | 1 | 17509-398-960 | COLLAR, TANK SET | 2 |
| * SET, LEFT SIDE COVER | 0.1 | 2 | 77202-KCC-900 | RUBBER, SEAT MOUNTING | 2 |
| | | 3 | 83163-ABA-000 | GROMMET CIL SIDE COVER | 2 |
| | | 4 | 83300-ABA-000R | SET, R SIDE COVER (TECHNO BLUE ME) | 1 |
| | | | 83300-ABA-000S | SET, R SIDE COVER (HEAVY GRAY ME) | 1 |
| | | | 83300-ABA-000T | SET, R SIDE COVER (SPORTS RED) TYPE-1 | 1 |
| | | | 83300-ABA-000U | SET, R SIDE COVER (SPORTS RED) TYPE-2 | 1 |
| | | 5 | 83400-ABA-000R | SET, L SIDE COV(TBM,BL002M) | 1 |
| | | | 83400-ABA-000S | SET L SIDE COV HGM NH194M-U | 1 |
| | | | 83400-ABA-000T | SET, L SIDE COV(SRD(TYPE-1),R321) | 1 |
| | | | 83400-ABA-000U | SET L SIDE COV(SRD(TYPE-2) R321) | 1 |
| | | 6 | 83551-300-000 | GROMMET, AIR CLEANER CASE | 2 |
| | | 7 | 83596-ABA-000 | COVER R SIDE A | 1 |
| | | 8 | 83597-ABA-000 | COVER L SIDE A | 1 |
| | | 9 | 90101-087-720 | SCREW, HEAD LIGHT SET | 4 |
| | | 10 | 91509-GE2-760 | SCREW, WASHER, 5 X 11.5 | 2 |
| | | 11 | 93903-34110 | SCREW, TAPPING, 4 X 8. | 4 |
| | | 12 | 95701-06020-00 | BOLT, FLANGE, 6X20 | 2 |

F-15 AIR CLEANER



| Service Item | F.R.T. | Group Number: F-15 Model :: Splendor iSMART Euro III (Apr, 2017) | | | |
|----------------------------------|---------------|---|--------------------|--------------------------|-------------|
| | | Ref No. | Part Number | Description | Req. |
| * CASE COMP., AIR CLEANER | 0.3 | 1 | 17210-AAT-000 | CASE AIR CLEANER | 1 |
| * ELEMENT 'A' AIR CLEANER | 0.2 | 2 | 17208-AAT-000 | HOLDER COMP ELEMENT | 1 |
| * HOLDER, ELEMENT | -- | 3 | 17214-KWA-840 | BAND, BATTERY | 1 |
| * ELEMENT 'B' AIR CLEANER | -- | 4 | 17218-AAT-000 | SEAL AIR CLEANER CASE | 1 |
| * COVER, AIR CLEANER CASE | -- | 5 | 17219-KTC-900 | SEAL, A/I CLEANER | 1 |
| * WATER GUARD, FRONT | -- | 6 | 17220-AAT-000 | COVER AIR/C CASE | 1 |
| * DUCT, AIR CLEANER INLET | -- | 7 | 17224-ABA-000 | WATER GUARD, FR | 1 |
| * TUBE, AIR CLEANER CONNECTING . | -- | 8 | 17234-KCC-940 | TUBE AIR CLEANER DRAIN | 1 |
| | | 9 | 17251-AAT-000 | DUCT, AIR/C, INLET | 1 |
| | | 10 | 17253-AAT-000 | TUBE, AIR/C, CONNECTOR | 1 |
| | | 11 | 17227-ABA-000 | V.TUBE 11X15X40 | 1 |
| | | 12 | 83407-KTR-940 | RUBBER, BATTERY | 2 |
| | | 13 | 90101-ABA-000 | BOLT FLANGE 6X18 | 1 |
| | | 14 | 90111-187-000 | BOLT, FLANGE. 6 MM | 2 |
| | | 15 | 90311-MT3-000 | NUT, CLIP, 6 MM | 1 |
| | | 16 | 91406-KFN-850 | CLAMP, D14.5 TUBE | 1 |
| | | 17 | 93893-05025-00 | SCREW WASHER 5X25 | 5 |
| | | 18 | 93903-34210 | SCREW TAPPING 4X10 | 1 |
| | | 19 | 95002-80000 | CLIP,C12 TUBE | 1 |
| | | 20 | 95002-02130 | CLIP B 12.5 TUBE | 1 |
| | | 21 | 95018-46320 | BAND 46 AIR/C CONN. TUBE | 1 |
| | | 22 | 95701-06012-00 | BOLT, FLANGE, 6X12 | 1 |
| | | 23 | 17369-198-770 | CLIP BREATHER TUBE | 1 |
| | | 24 | 18651-KST-900 | PLUG,AIR/C | 1 |

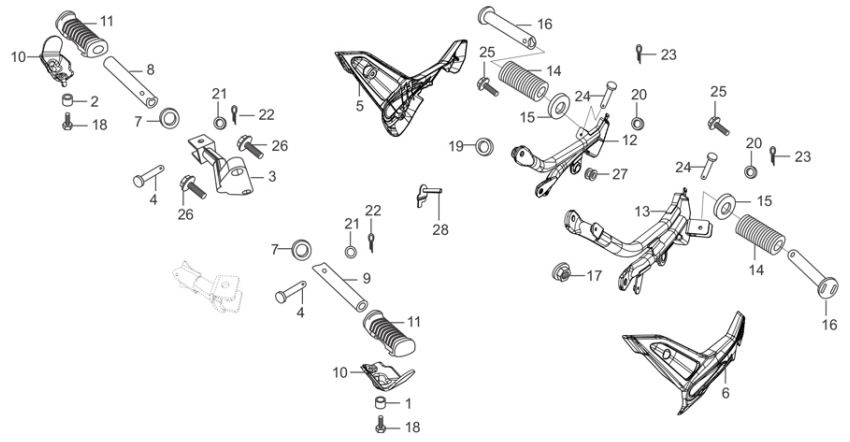
F-16
MUFFLER



| Service Item | F.R.T. | Group Number: F-16 Model :: Splendor iSMART Euro III (Apr, 2017) | | | |
|----------------------|---------------|---|--------------------|--------------------------|-------------|
| | | Ref No. | Part Number | Description | Req. |
| * COVER, EXH. PIPE | 0.1 | 1 | 18291-AAT-000 | GASKET EX PIPE | 1 |
| * GASKET, EXH. PIPE | -- | 2 | 18293-KPK-900 | RUBBER, PKG. PROTECTOR | 1 |
| * MUFFLER COMP., EXH | 0.3 | 3 | 18293-AAY-000 | RUBBER PKG. PROTECTOR | 2 |
| | | 4 | 18340-ABA-000 | COVER TAIL CAP | 1 |
| | | 5 | 18345-MBT-610 | RUBBER, PROTECTOR, MOUNT | 4 |
| | | 6 | 18350-ABA-100 | MUFFLER COMP., EXHAUST. | 1 |
| | | 7 | 18355-ABA-000 | COVER, MUFFLER | 1 |
| | | 8 | 33619-459-840 | COLLAR, WINKER STAY | 4 |
| | | 9 | 50505-KCC-900 | STOPPER RUBBER, A STAND | 1 |
| | | 10 | 90107-KAN-900 | BOLT, BODY COVER SET | 4 |
| | | 11 | 90304-438-000 | NUT, HEX. CAP, 6 MM | 2 |
| | | 12 | 90305-KSP-900 | NUT, 8MM EXP. | 1 |
| | | 13 | 95701-08016-00 | BOLT, FLANGE, 8X16 | 1 |
| | | 14 | 94103-08700 | WASHER PLAIN 8MM | 1 |

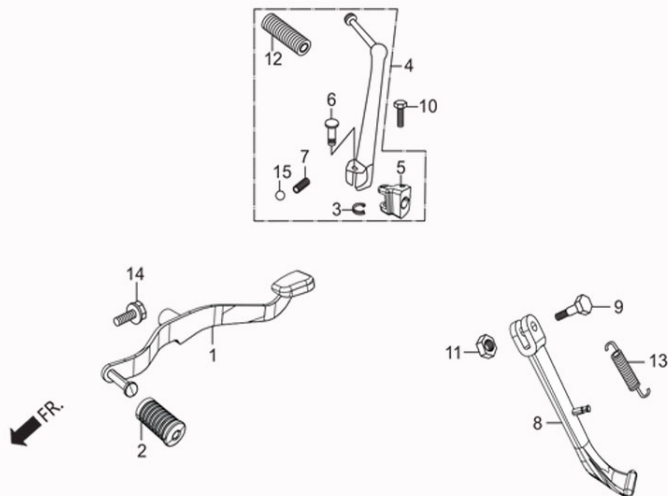
F-17
STEP ASSY./PILLION STEP.

FR.



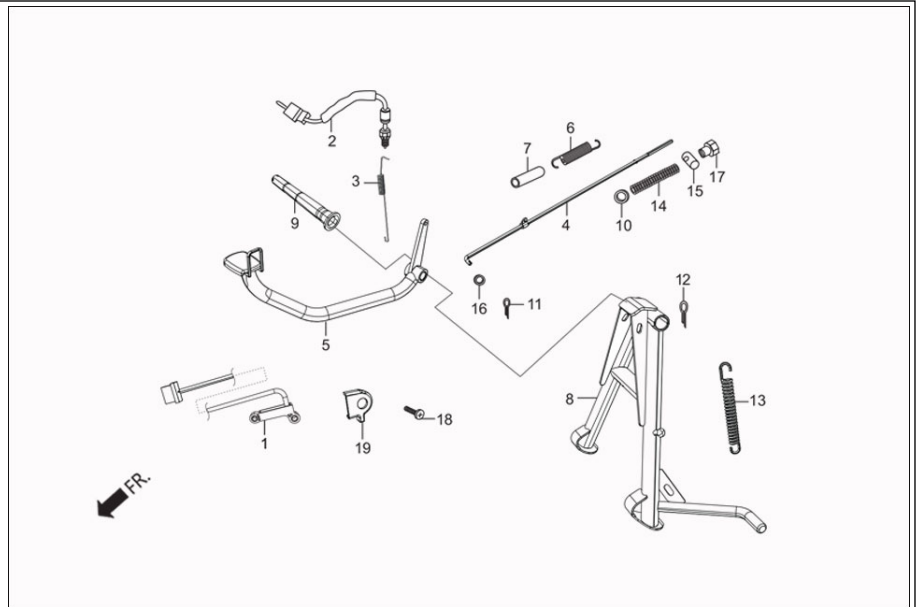
| Service Item | F.R.T. | Group Number: F-17 Model :: Splendor iSMART Euro III (Apr, 2017) | | | |
|------------------------------|---------------|---|--------------------|-----------------------------|-------------|
| | | Ref No. | Part Number | Description | Req. |
| * PEDAL, GEAR CHANGE | 0.1 | 1 | 18442-ABA-000 | COLLAR MUFFLER MOUNT | 1 |
| * ARM, KICK STARTER | -- | 2 | 37243-323-000 | COLLAR , METER SET | 1 |
| * BAR COMP., SIDE STAND | -- | 3 | 50160-KCC-900 | BRACKET COMP., R STEP | 1 |
| * BRACKET COMP., R/L P./STEP | -- | 4 | 50603-KB4-000 | PIN, MAIN STEP BAR JOINT | 2 |
| * STEP, RUBBER PILLION | -- | 5 | 50611-ABA-000 | COVER R PILLION STEP | 1 |
| | | 6 | 50612-ABA-000 | COVER L PILLION STEP | 1 |
| | | 7 | 50614-413-000 | WASHER, MAIN STEP | 2 |
| | | 8 | 50618-KCC-000 | BAR R STEP | 1 |
| | | 9 | 50619-KCC-000 | BAR L STEP | 1 |
| | | 10 | 50619-425-010 | STOPPER, STEP RUBBER | 2 |
| | | 11 | 50661-425-670 | RUBBER STEP | 2 |
| | | 12 | 50701-ABA-000 | BRACKET COMP, RPILLION STEP | 1 |
| | | 13 | 50702-ABA-000 | BRACKET COMP, LPILLION STEP | 1 |
| | | 14 | 50711-198-720 | RUBBER, STEP PILLION | 2 |
| | | 15 | 50712-405-000 | WASHER, PILLION STEP | 2 |
| | | 16 | 50715-405-000 | BAR COMP., STEP PILLION | 2 |
| | | 17 | 90306-KST-942 | NUT, CASTLE, 12 MM | 1 |
| | | 18 | 92000-06016-0A | BOLT, HEX., 6 X 16 | 2 |
| | | 19 | 94103-08700 | WASHER PLAIN 8MM | 1 |
| | | 20 | 94101-06000 | WASHER, PLAIN, 6 MM | 2 |
| | | 21 | 94101-08000 | WASHER, PLAIN, 8MM | 2 |
| | | 22 | 94201-16121 | PIN, SPLIT, 1.6 X 12 | 2 |
| | | 23 | 94201-16150 | PIN, SPLIT, 1.6 X 15 | 2 |
| | | 24 | 95015-81000 | PIN A PILLION STEP | 2 |
| | | 25 | 95701-08016-07 | BOLT FLANGE, 8 X 16 | 2 |
| | | 26 | 95701-10045-07 | BOLT FLANGE, 10 X 45 | 2 |
| | | 27 | 18421-ABA-000 | RUBBER MUFF MOUNT | 1 |
| | | 28 | 1844A-ABA-000 | MUFF MOUNT BOLT ASSY | 1 |

F-17A
KICK STARTER/GEAR CHANGE
PEDAL/SIDE STAND/



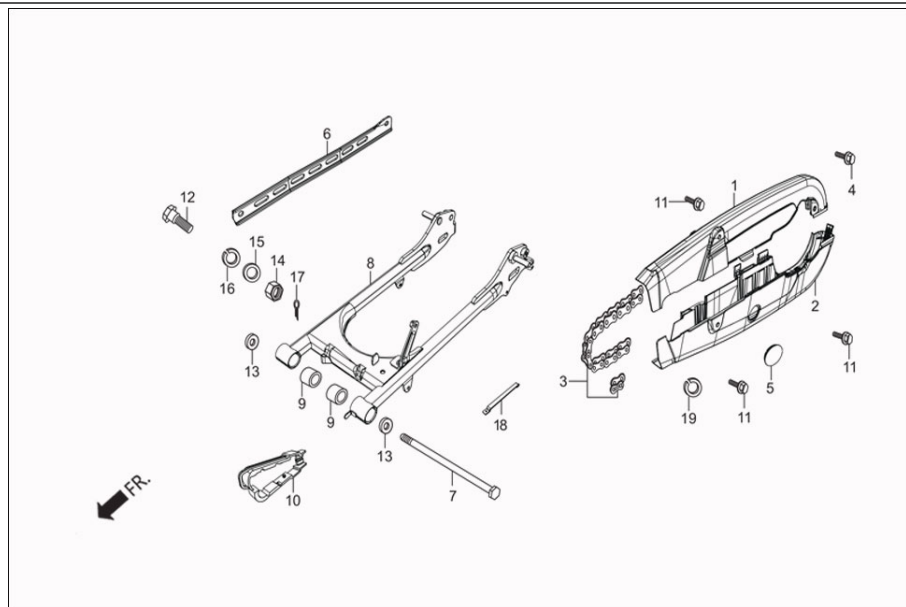
| Service Item | F.R.T. | Group Number: F-17A Model :: Splendor iSMART Euro III (Apr, 2017) | | | |
|------------------------------|---------------|--|--------------------|------------------------------|-------------|
| | | Ref No. | Part Number | Description | Req. |
| * PEDAL, GEAR CHANGE | 0.1 | 1 | 24701-ABA-000 | PEDAL GEAR CHANGE | 1 |
| * ARM, KICK STARTER | -- | 2 | 24781-KR3-770 | RUBBER, CHANGE PEDAL | 1 |
| * BAR COMP., SIDE STAND | -- | 3 | 28293-KAG-900 | CLIP, KICK STARTER | 1 |
| * BRACKET COMP., R/L P./STEP | -- | 4 | 2830A-KWA-941 | ARM, SUB ASSY., KICK STARTER | 1 |
| * STEP, RUBBER PILLION | -- | 5 | 28302-KWA-940 | JOINT KICK ARM | 1 |
| | | 6 | 28321-427-770 | PIN KICK STARTER | 1 |
| | | 7 | 28333-124-000 | SPRING, KICK STARTER STOPPER | 1 |
| | | 8 | 50530-KST-940 | BAR COMP., SIDE STAND | 1 |
| | | 9 | 90107-AAD-000 | SCREW, SIDE STAND PIVOT | 1 |
| | | 10 | 92101-06032-0A | BOLT, FLANGE, 6 X 32 | 1 |
| | | 11 | 94030-10000 | NUT HEX., 10MM | 1 |
| | | 12 | 95011-51000 | RUBBER, A KICK STARTER | 1 |
| | | 13 | 95014-72302 | SPRING, C SIDE STAND | 1 |
| | | 14 | 95701-06020-00 | BOLT, FLANGE, 6X20 | 1 |
| | | 15 | 96211-08000 | BALL STEEL 8 MM | 1 |

F-18
MAIN STAND/PEDAL BRAKE



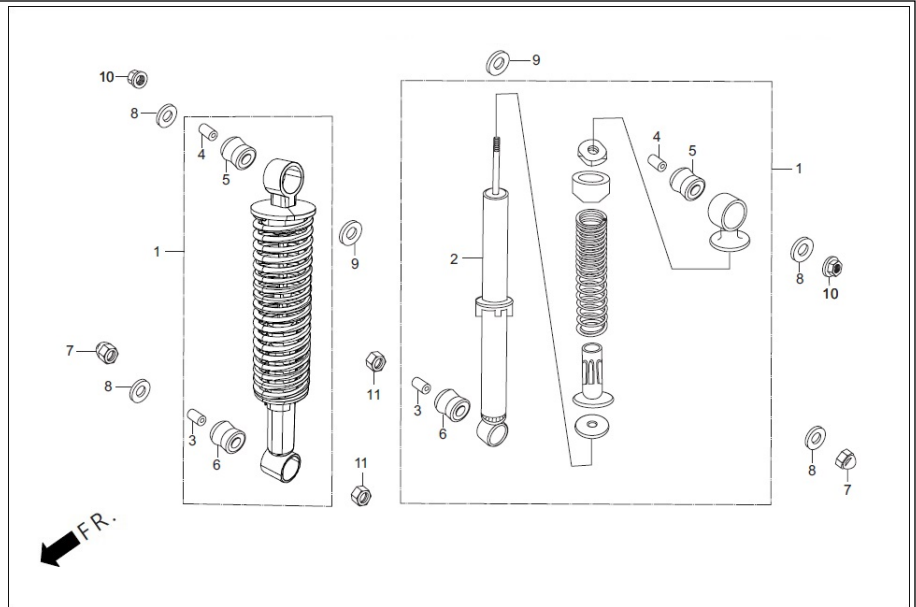
| Service Item | F.R.T. | Group Number: F-18 Model :: Splendor iSMART Euro III (Apr, 2017) | | | |
|--------------------------|---------------|---|--------------------|--------------------------------|-------------|
| | | Ref No. | Part Number | Description | Req. |
| * SWITCH ASSY., RR. STOP | 0.2 | 1 | 35140-AAD-00099 | SENSOR ASSY SIDE STAND | 1 |
| * ROD COMP., RR. BRAKE | 0.3 | 2 | 35350-KWA-940 | SWITCH ASSY., REAR STOP (SELF) | 1 |
| * PEDAL, BRAKE | 0.5 | 3 | 35357-ABA-000 | SPRING, STOP SWITCH | 1 |
| * SPRING, BRAKE PEDAL | 0.1 | 4 | 43451-ABA-000 | ROD COMP RR BRK | 1 |
| * STAND COMP., MAIN | 0.4 | 5 | 46500-ABA-000 | PEDAL BRAKE | 1 |
| | | 6 | 46514-KCC-900 | SPRING , BRAKE PEDAL | 1 |
| | | 7 | 46515-KB9-000 | TUBE , BRAKE PEDAL SPRING | 1 |
| | | 8 | 50500-AAH-H40 | STAND COMP.MAIN | 1 |
| | | 9 | 50512-KTC-900 | PIPE, RR. BRAKE PIVOT | 1 |
| | | 10 | 90502-198-900 | WASHER , BRAKE ROD | 1 |
| | | 11 | 94201-20150 | PIN, SPLIT, 2.0 X 15 | 1 |
| | | 12 | 94201-30250 | PIN, SPLIT, 3.0 X 25 | 1 |
| | | 13 | 95014-71702 | SPRING G MAIN STAND | 1 |
| | | 14 | 95014-73100 | SPRING A BRAKE ROD | 1 |
| | | 15 | 95015-32001 | JOINT B BRAKE ARM | 1 |
| | | 16 | 94103-05800 | WASHER,PLAIN, 5.5MM | 1 |
| | | 17 | 95015-42000 | NUT B ADJUST | 1 |
| | | 18 | 93891-05014-18 | SCREW, WASHER, 5 X 14 | 1 |
| | | 19 | 35130-AAD-00099 | MAGNET HOLDER | 1 |

F-19
REAR FORK/CHAIN CASE



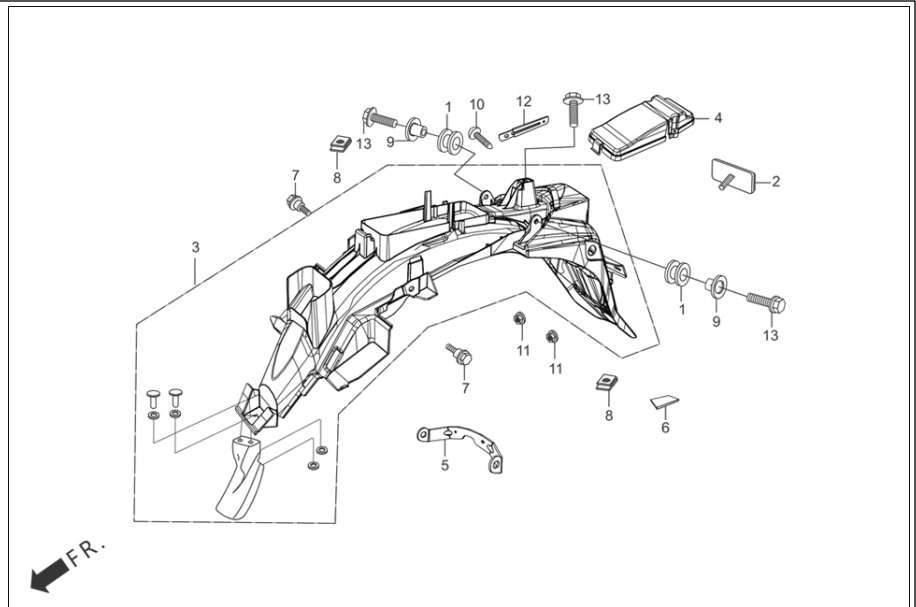
| Service Item | F.R.T. | Group Number: F-19 Model :: Splendor iSMART Euro III (Apr, 2017) | | | |
|--|---------------|---|--------------------|-----------------------------|-------------|
| | | Ref No. | Part Number | Description | Req. |
| CASE, UPPER (HALF) DRIVE CHAIN. 0.1 ONE OR ALL) | -- | 1 | 40510-ABA-000 | CASE UP HALF DRIVE CHAIN | 1 |
| CHAIN, DRIVE | 0.3 | 2 | 40520-ABA-000 | CHAIN CASE LOWER | 1 |
| ARM, RR BRAKE STOPPER | 0.2 | 3 | 40530-KST-940 | CHAIN DRIVE (420-108) | 1 |
| SWING ARM COMP., RR | 0.7 | 4 | 95701-08016-07 | BOLT FLANGE, 8 X 16 | 1 |
| RUBBER BUSH, RR. FORK PIVOT | 1.0 | 5 | 40545-ABA-000 | CAP, CHAIN PEEP HOLE | 1 |
| PACKING, DRIVE CHAIN CASE | -- | 6 | 43431-ABA-000 | ARM, RR BRAKE STOPPER | 1 |
| | | 7 | 52101-KST-940 | BOLT, SWING ARM PIVOT | 1 |
| | | 8 | 52110-ABA-000 | SWINGARM COMP, RR | 1 |
| | | 9 | 52147-KTC-900 | RUBBER BUSH, RR. FORK PIVOT | 2 |
| | | 10 | 52170-AAJ-H40 | SLIDER CHAIN | 1 |
| | | 11 | 90111-ABA-000 | BOLT, FLANGE, 6MM | 3 |
| | | 12 | 90133-331-770 | BOLT, HEX., 8MM | 1 |
| | | 13 | 90183-KTC-900 | WASHER, SPL., 12 MM | 2 |
| | | 14 | 94001-08000-0S | NUT, HEX., 8 MM | 1 |
| | | 15 | 94101-08000 | WASHER, PLAIN, 8MM | 1 |
| | | 16 | 94111-10000 | WASHER, SPRING, 10MM | 1 |
| | | 17 | 94201-20150 | PIN, SPLIT, 2.0 X 15 | 1 |
| | | 18 | 40524-ABA-000 | PLATE CHAIN CASE LOWER | 1 |
| | | 19 | 80108-ABA-000 | COLLAR, CHAIN CASE | 1 |

F-20
REAR CUSHION



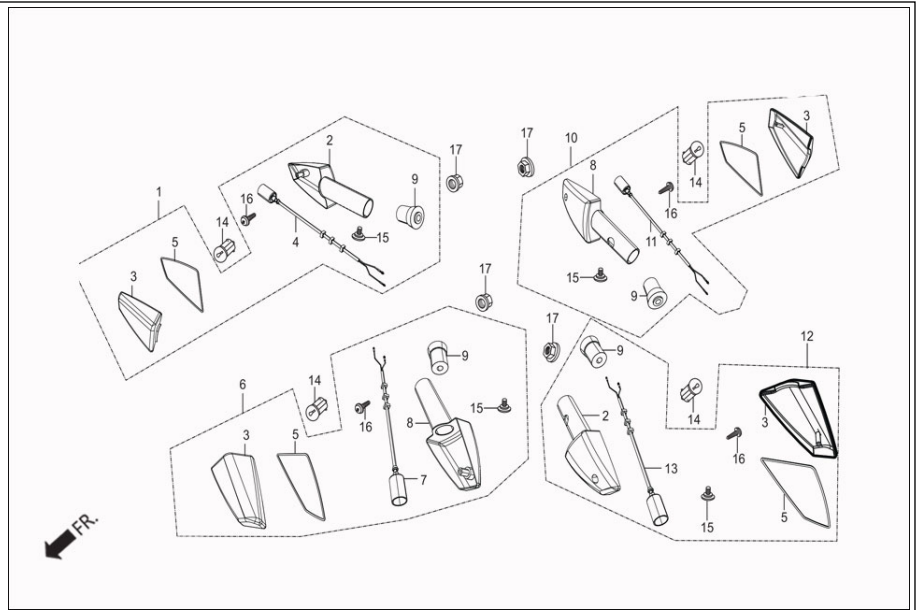
| Service Item | F.R.T. | Group Number: F-20 Model :: Splendor iSMART Euro III (Apr, 2017) | | | |
|---------------------|---------------|---|--------------------|-----------------------------|-------------|
| * CUSHION ASSY., RR | 0.2 | Ref No. | Part Number | Description | Req. |
| | | 1 | 52400-KWA-90099 | CUSHION ASSY REAR | 2 |
| | | 2 | 52410-KCC-871 | DAMPER COMP., REAR | 2 |
| | | 3 | 52486-KAG-900 | COLLAR ,RUBBER BUSH (UNDER) | 2 |
| | | 4 | 52486-KTN-701 | COLLAR, RUBBER BUSH (UPPER) | 2 |
| | | 5 | 52489-399-600 | BUSH ,RUBBER (UPPER) | 2 |
| | | 6 | 52495-098-000 | BUSH, RUBBER (UNDER) | 2 |
| | | 7 | 90202-329-000 | NUT, FLANGE, CAP, 10MM | 2 |
| | | 8 | 90551-KTE-910 | WASHER SPECIAL, 10 MM | 4 |
| | | 9 | 94101-12800 | WASHER,PLAIN ,12 MM | 2 |
| | | 10 | 94050-10000 | NUT, FLANGE, 10MM | 2 |
| | | 11 | 94001-10000-0S | NUT, HEX., 10 MM | 2 |

F-21
REAR FENDER



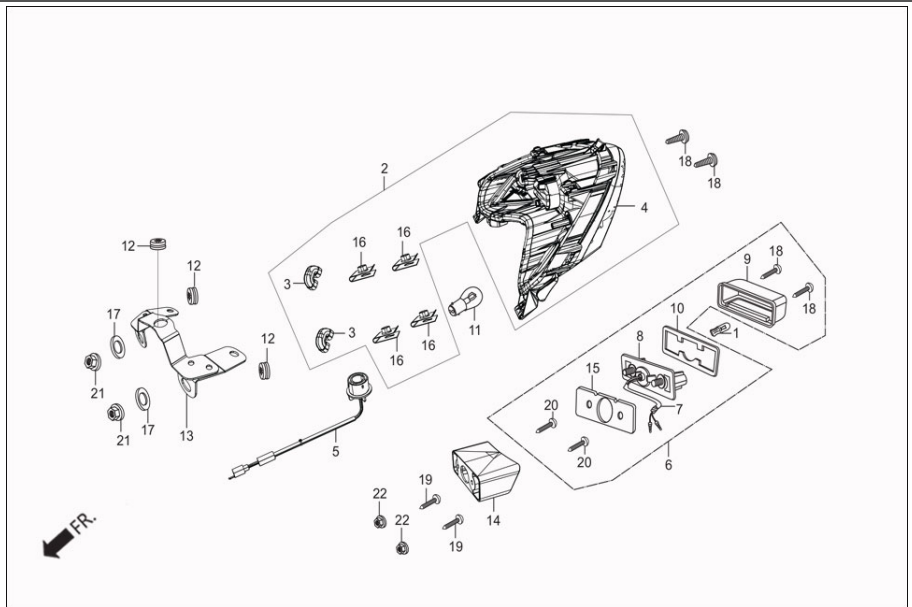
| Service Item | F.R.T. | Group Number: F-21 Model :: Splendor iSMART Euro III (Apr, 2017) | | | |
|---------------------|---------------|---|--------------------|------------------------|-------------|
| | | Ref No. | Part Number | Description | Req. |
| * FENDER COMP., RR. | 0.6 | 1 | 33714-KL3-620 | RUBBER, TAIL LIGHT | 2 |
| * BRAKET, NO. PLATE | -- | 2 | 33741-KTC-900 | REFLEX, REFLECTOR | 1 |
| * STAY, REAR WINKER | -- | 3 | 80100-ABA-000 | FENDER COMP RR | 1 |
| | | 4 | 80102-ABA-000 | COVER TOOL BOX | 1 |
| | | 5 | 80172-ABA-000 | PLATE WINKER | 1 |
| | | 6 | 77232-KVE-900 | CUSHION COWL CENTER B. | 1 |
| | | 7 | 90111-187-000 | BOLT, FLANGE. 6 MM | 2 |
| | | 8 | 90320-GC3-000 | NUT, SPRING, M5 | 2 |
| | | 9 | 90501-MC4-000 | COLLAR A, AIR/C CASE | 2 |
| | | 10 | 93903-34210 | SCREW TAPPING 4X10 | 1 |
| | | 11 | 94050-06000 | NUT, FLANGE, 6 MM | 2 |
| | | 12 | 94591-27000 | CLIP 2 X 70 | 1 |
| | | 13 | 95701-06020-00 | BOLT, FLANGE, 6X20 | 3 |

F-22 WINKER



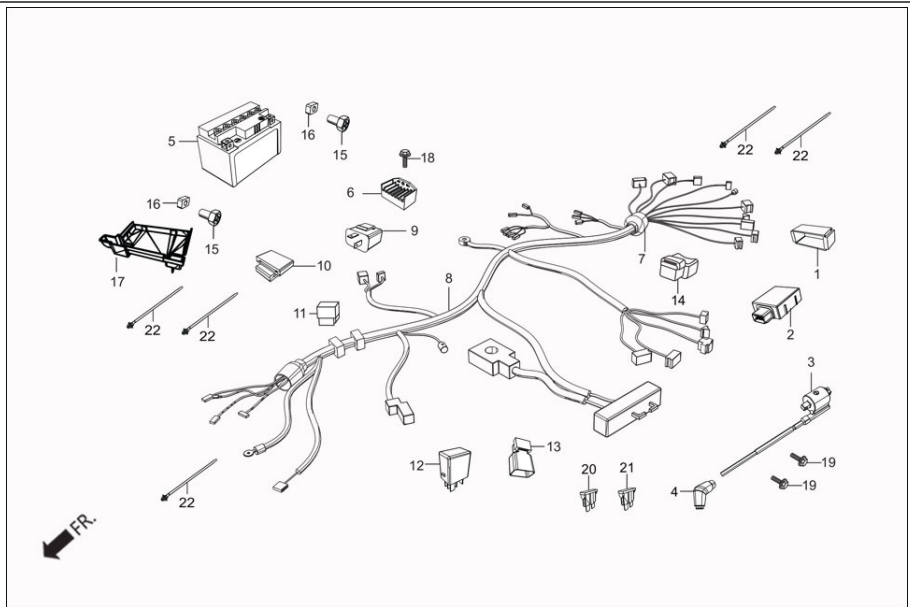
| Service Item | F.R.T. | Group Number: F-22 Model :: Splendor iSMART Euro III (Apr, 2017) | | | |
|--|---------------|---|--------------------|---------------------------|-------------|
| | | Ref No. | Part Number | Description | Req. |
| * WINKER ASSY., FR (ADD 0.1 FOR EACH) | 0.2 -- | 1 | 3340A-ABA-00099 | WINKER ASSY R FR W/O BULB | 1 |
| * STAY COMP., WINKER (ADD 0.1 FOR EACH) | -- -- | 2 | 33401-ABA-00099 | BASE WINKER R. | 2 |
| * WINKER ASSY., RR (ADD 0.1 FOR EACH) | -- -- | 3 | 33402-ABA-00099 | LENS WINKER | 4 |
| * WINKER ASSY., RR (ADD 0.1 FOR EACH) | -- -- | 4 | 33405-ABA-00099 | SOCKET COMP. R. | 1 |
| * BULB, WINKER | 0.1 | 5 | 33408-ABA-00099 | PACKING LENS | 4 |
| | | 6 | 3345A-ABA-00099 | WINKER ASSY L FR W/O BULB | 1 |
| | | 7 | 33455-ABA-00099 | SOCKET COMP. L. | 1 |
| | | 8 | 33451-ABA-00099 | BASE WINKER L. | 2 |
| | | 9 | 33491-ABA-001 | STAY COMP, WINKER | 4 |
| | | 10 | 3360A-ABA-00099 | WINKER ASSY R RR W/O BULB | 1 |
| | | 11 | 33605-ABA-00099 | SOCKET COMP. R. | 1 |
| | | 12 | 3365A-ABA-00099 | WINKER ASSY L RR W/O BULB | 1 |
| | | 13 | 33655-ABA-00099 | SOCKET COMP. L. | 1 |
| | | 14 | 34930-AAC-700 | BULB(12V 10W) AMBER | 4 |
| | | 15 | 90380-MB2-000 | SCREW, SPECIAL, 6 X 8 | 4 |
| | | 16 | 93901-32110 | SCREW, TAPPING 3 X 8 | 4 |
| | | 17 | 94050-10000 | NUT, FLANGE, 10MM | 4 |

F-23
TAIL LIGHT



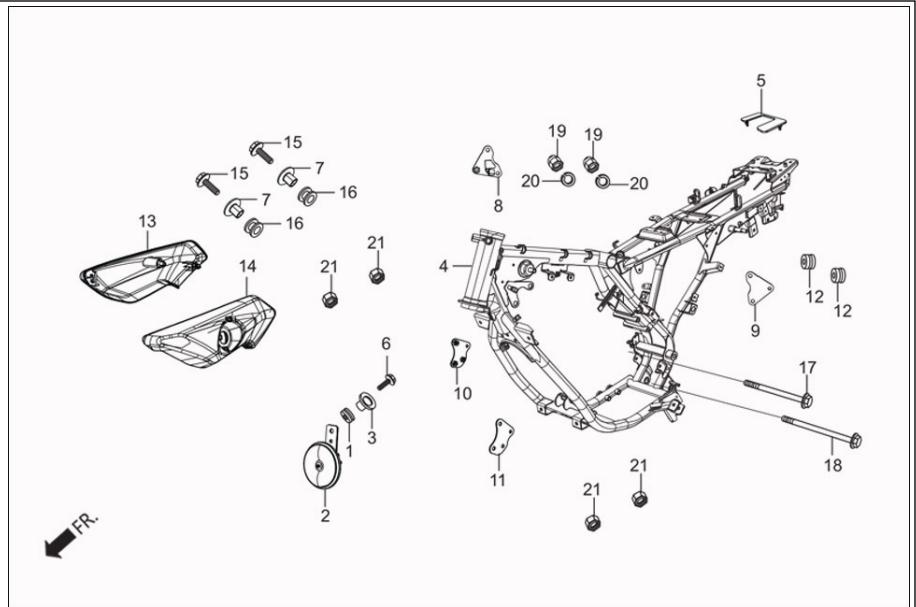
| Service Item | F.R.T. | Group Number: F-23 Model :: Splendor iSMART Euro III (Apr, 2017) | | | |
|---------------------|---------------|---|--------------------|--------------------------------|-------------|
| | | Ref No. | Part Number | Description | Req. |
| * UNIT, TAIL LIGHT | 0.4 | 1 | 33301-KVE-900 | BULB, WEDGE BASE (T10, 12V-5W) | 1 |
| * LENS, TAIL LIGHT | -- | 2 | 33701-ABA-001 | UNIT TAIL LIGHT | 1 |
| * BASE COMP., RR | -- | 3 | 33706-ABA-000 | PIPE CP | 2 |
| * BULB, TAIL LIGHT | 0.14 | 4 | 33710-ABA-001 | LENS COMP | 1 |
| | | 5 | 33715-ABA-001 | WIRE ASSY | 1 |
| | | 6 | 3372A-ABA-001 | LIGHT ASSY LICENSE(W/O BULB) | 1 |
| | | 7 | 33721-ABA-001 | SPROCKET COMP | 1 |
| | | 8 | 33722-KVE-900 | BASE COMP. | 1 |
| | | 9 | 33723-KVE-900H | COVER COMP. | 1 |
| | | 10 | 33729-MCZ-003 | PACKING, LENS | 1 |
| | | 11 | 34907-KVN-901 | BLUB, TAIL & STOP LIGHT | 1 |
| | | 12 | 77205-KVN-900 | RUBBER, TAIL LIGHT MOUNT | 3 |
| | | 13 | 77235-ABA-000 | TAIL LIGHT BRKT ASSY | 1 |
| | | 14 | 80133-ABA-000 | SPACER LICENSE PLATE LIGHT | 1 |
| | | 15 | 80203-KVE-900 | RUBBER LICENSE LIGHT | 1 |
| | | 16 | 90311-ABA-000 | SPEED NUT (M6) | 4 |
| | | 17 | 90563-355-000 | WASHER, WHEEL, 6 MM | 2 |
| | | 18 | 93901-24480 | SCREW, TAPPING, 4 X 16 | 4 |
| | | 19 | 93903-35380 | SCREW TAPPING 5X16 | 2 |
| | | 20 | 93903-34480 | SCREW, TAPPING, 4X 16 | 2 |
| | | 21 | 94050-06000 | NUT, FLANGE, 6 MM | 2 |
| | | 22 | 94050-05000 | NUT FLANGE, 5 MM | 2 |

F-24
WIRE HARNESS/BATTERY



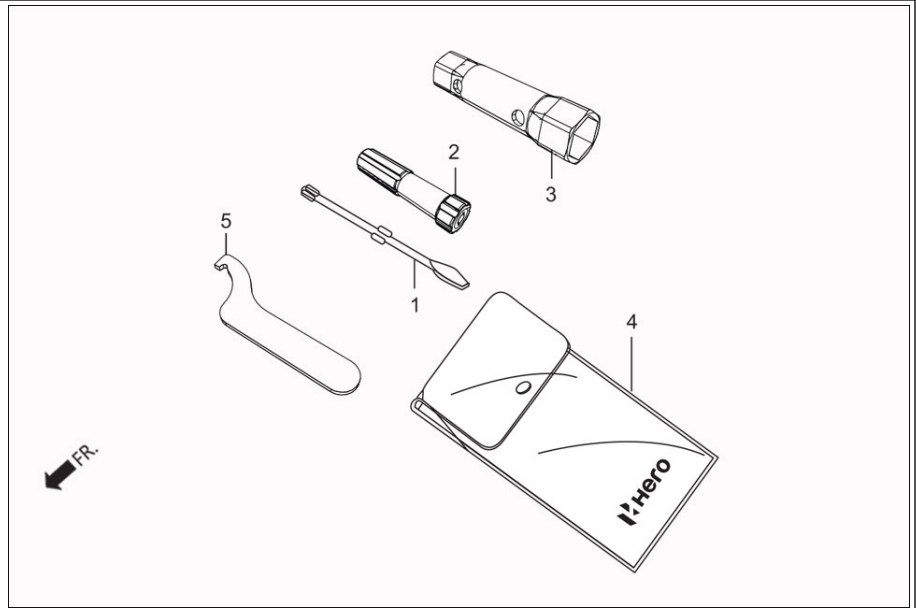
| Service Item | F.R.T. | Group Number: F-24 Model :: Splendor iSMART Euro III (Apr, 2017) | | | |
|------------------------------|---------------|---|--------------------|-----------------------------------|-------------|
| | | Ref No. | Part Number | Description | Req. |
| * UNIT COMP., C.D.I | 0.4 | 1 | 30401-ABA-001 | CUSHION CDI & I3S | 1 |
| * COIL ASSY., IGNITION | -- | 2 | 30480-ABA-001 | UNIT COMP CDI & I3S | 1 |
| * RECTIFIER COMP., REGULATOR | -- | 3 | 30500-ABA-001 | COIL ASSY IGN | 1 |
| * BATTERY ASSY | 0.1 | 4 | 30700-KSP-B01 | CAP ASSY,NOISE SUPPRESSOR | 1 |
| * RELAY COMP., WINKER | -- | 5 | 31500-KVT-801 | BATTERY, ASSY. | 1 |
| * HARNESS, WIRE | 0.9 | 6 | 31600-ABA-001 | REG. RECT. COMP | 1 |
| | | | 31600-KWF-841 | REG RECT.COMP | 1 |
| | | 7 | 32108-344-820 | COVER, CONNECTOR | 1 |
| | | 8 | 32100-ABA-000 | HARNESS WIRE | 1 |
| | | 9 | 38301-KWA-931 | RELAY COMP WINKER | 1 |
| | | 10 | 38306-GE7-000 | SUSPENSION, WINKER RELAY | 1 |
| | | 11 | 38501-KTP-890 | RELAY COMP., START | 1 |
| | | | 38501-KWH-971 | RELAY COMP,START | 1 |
| | | 12 | 38502-KSP-910 | RELAY COMP., POWER (MICRO ISO 5P) | 1 |
| | | 13 | 38506-KSP-910 | SUS., POWER RELAY | 1 |
| | | 14 | 38506-KWA-840 | SUSP. START RELAY | 1 |
| | | 15 | 90122-KVT-941 | BOLT BATTERY TERMINAL | 2 |
| | | 16 | 90306-KVT-941 | NUT BATTERY TERMINAL | 2 |
| | | 17 | 50325-AAC-220 | BOX UPPER, BATTERY | 1 |
| | | 18 | 95701-06014-00 | BOLT, FLANGE, 6 X 14 | 1 |
| | | 19 | 96001-06020-00 | BOLT, FLANGE, SH. 6 X 20 | 2 |
| | | 20 | 98200-31000 | BLADE, FUSE 10A | 1 |
| | | 21 | 98200-31500 | BLADE, FUSE, 15A | 1 |
| | | 22 | 91540-AAN-410 | CLIP, BAND HARN | 5 |

F-25
FRAME BODY/UTILITY BOX



| Service Item | F.R.T. | Group Number: F-25 Model :: Splendor iSMART Euro III (Apr, 2017) | | | |
|--|---------------|---|--------------------|---------------------------|-------------|
| | | Ref No. | Part Number | Description | Req. |
| * BODY COMP., FRAME | 5 | 1 | 33714-KL3-620 | RUBBER, TAIL LIGHT | 1 |
| * UTILITY BOX COMP (INC. RELATIVE PART) | -- | 2 | 38110-AAN-601 | HORN COMP | 1 |
| | | 3 | 38117-KFE-701 | COLLAR, HORN SET | 1 |
| | | 4 | 50100-ABA-000 | FRAME BODY COMP, | 1 |
| | | 5 | 50225-ABA-000 | RUBBER SEAT CUSHION. | 1 |
| | | 6 | 95701-06020-07 | BOLT, FLANGE, 6 X 20 | 1 |
| | | 7 | 90501-KC2-750 | WASHER, REGULATOR SETTING | 2 |
| | | 8 | 50353-ABA-000 | PLATE ENG HANGER RR R | 1 |
| | | 9 | 50354-ABA-000 | PLATE ENG HANGER RR L | 1 |
| | | 10 | 50534-ABA-000 | PLATE ENG HANGER FR R | 1 |
| | | 11 | 50535-ABA-000 | PLATE ENG HANGER FR L | 1 |
| | | 12 | 83551-300-000 | GROMMET, AIR CLEANER CASE | 2 |
| | | 13 | 83598-ABA-000 | COVER R FRONT | 1 |
| | | 14 | 83599-ABA-000 | COVER L FRONT | 1 |
| | | 15 | 90101-KCC-940 | BOLT WASH, 6 X 25 | 2 |
| | | 16 | 17622-GB7-900 | RUBBER, CUSHION | 2 |
| | | 17 | 90116-KCC-900 | BOLT FLANGE, 8 X 97 | 1 |
| | | 18 | 90117-KCC-900 | BOLT, FLANGE, 8 X 110 | 1 |
| | | 19 | 94021-06000-0S | NUT, HEX CAP 6MM | 2 |
| | | 20 | 94111-08000 | WASHER, SPRING, 8MM | 2 |
| | | 21 | 94030-08000 | NUT, HEX., 8 MM | 4 |

**F-26
TOOLS**



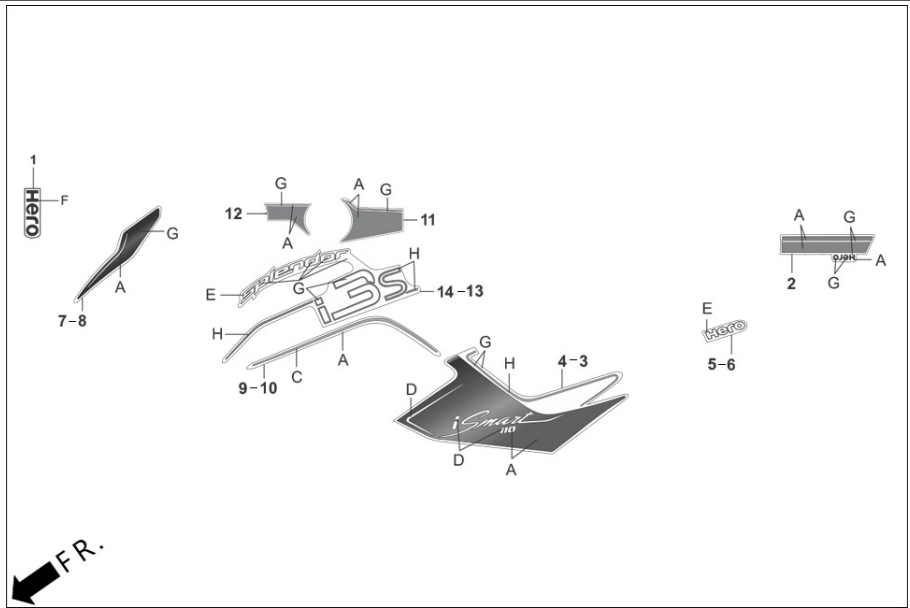
Service Item

F.R.T.

Group Number: F-26 **Model ::** Splendor iSMART Euro III (Apr, 2017)

| Ref No. | Part Number | Description | Req. |
|---------|---------------|--------------------------|------|
| 1 | 89102-538-000 | SCREW, DRIVER PLUS/MINUS | 1 |
| 2 | 89103-538-000 | GRIP, SCREW DRIVER | 1 |
| 3 | 89215-AAC-000 | BOX WRENCH P16X14 | 1 |
| 4 | 89216-AAD-H00 | TOOL BAG | 1 |
| 5 | 99007-45000 | PIN, SPANNER | 1 |

F-27
STRIPES/MARKS



FR.

| | | | | | |
|--------------|--------|--|----------------|------------------|------|
| Service Item | F.R.T. | Group Number: F-27 Model :: Splendor iSMART Euro III (Apr, 2017) | | | |
| | | Ref No. | Part Number | Description | Req. |
| | | 1 | 86854-ABA-0000 | MARK WIND SCREEN | 1 |

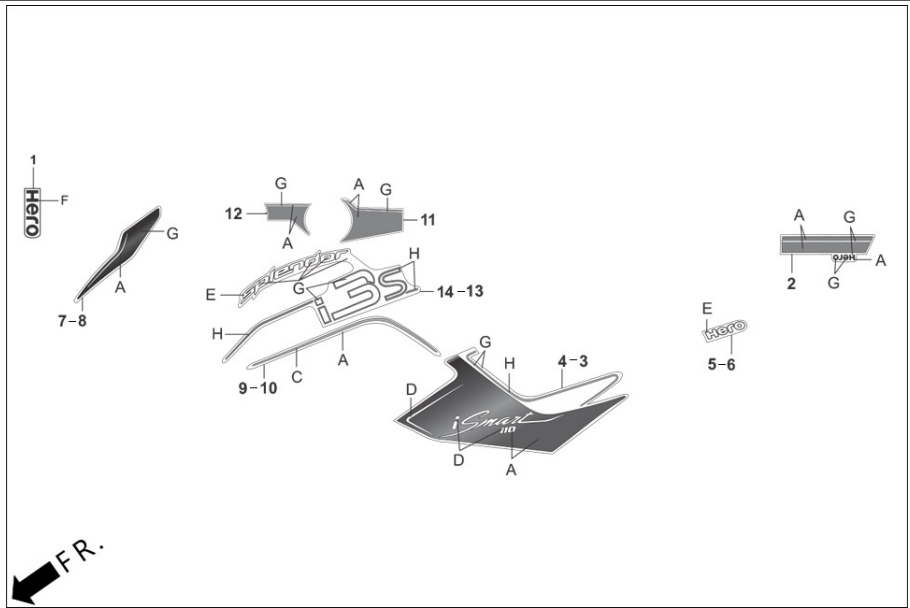
SPECIFIED COLOUR CHART FOR MARK WIND SCREEN

| SPECIFIED COLOUR TYPE | F | MAIN BODY COLOUR |
|-----------------------------|-----------------|---------------------------|
| 1 | FORCE SILVER ME | TECHNO BLUE ME.) BL-002M |
| | | HEAVY GRAY ME. (NH-194-U) |
| | | SPORTS RED (R-321) TYPE-1 |
| | | SPORTS RED (R-321) TYPE-2 |

SPECIFIED COLOUR CHART FOR STRIPE REAR CENTER COWL

| SPECIFIED COLOUR TYPE | A | G | MAIN BODY COLOUR |
|-----------------------------|-----------------|----------------|---------------------------|
| 1 | TECHNO BLUE ME. | NH-1 BLACK-1 | TECHNO BLUE ME. (BL-002M) |
| 2 | HEAVY GRAY ME. | BOON SILVER ME | HEAVY GRAY ME. (NH-194-U) |
| 3 | SPORTS RED | BOON SILVER ME | SPORTS RED (R-321) TYPE-1 |
| 4 | SPORTS RED | NH-1 BLACK-1 | SPORTS RED (R-321) TYPE-2 |

F-27
STRIPES/MARKS



Service Item

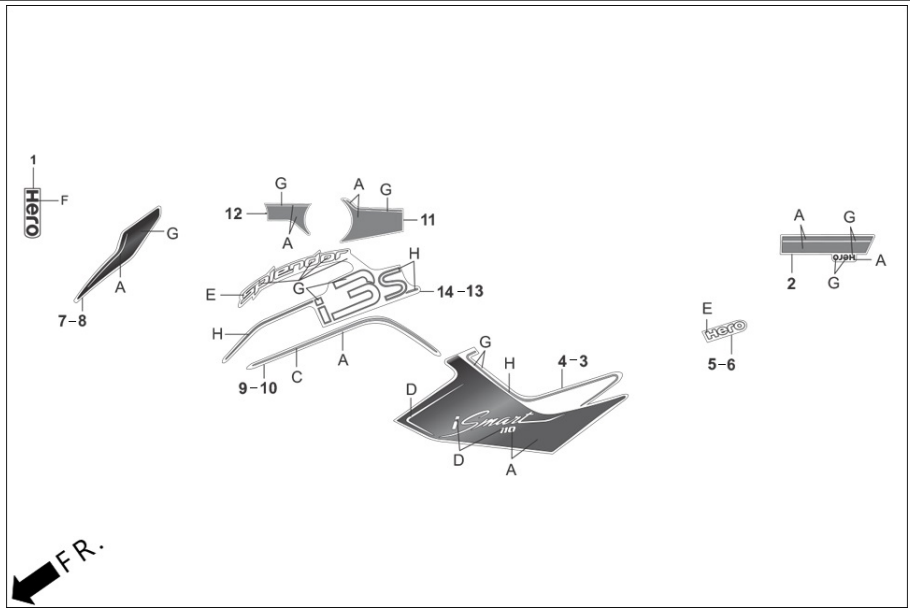
F.R.T.

Group Number: F-27 Model :: Splendor iSMART Euro III (Apr, 2017)

| Ref No. | Part Number | Description | Req. |
|---------|----------------|------------------------------|------|
| 3 | 86115-ABA-000R | STRIPE R SIDE COVER (TYPE-1) | 1 |
| | 86115-ABA-000S | STRIPE R SIDE COVER (TYPE-2) | 1 |
| | 86115-ABA-000T | STRIPE R SIDE COVER (TYPE-3) | 1 |
| | 86115-ABA-000U | STRIPE R SIDE COVER (TYPE-4) | 1 |

| SPECIFIED COLOUR CHART FOR STRIPE RIGHT SIDE COVER | | | | | |
|---|-----------------|--------------|------------------|----------------|----------------------------------|
| SPECIFIED COLOUR TYPE | A | D | H | G | MAIN BODY COLOUR |
| 1 | TECHNO BLUE ME. | SASHTA WHITE | TERRA SILVER ME. | NH-1 BLACK-1 | TECHNO BLUE ME. (BL-002M) |
| 2 | HEAVY GRAY ME. | SASHTA WHITE | TERRA SILVER ME. | BOON SILVER ME | HEAVY GRAY ME. (NH-194-U) |
| 3 | SPORTS RED | SASHTA WHITE | TERRA SILVER ME. | BOON SILVER ME | SPORTS RED (R-321) TYPE-1 |
| 4 | SPORTS RED | SASHTA WHITE | TERRA SILVER ME. | NH-1 BLACK-1 | SPORTS RED (R-321) TYPE-2 |

F-27
STRIPES/MARKS



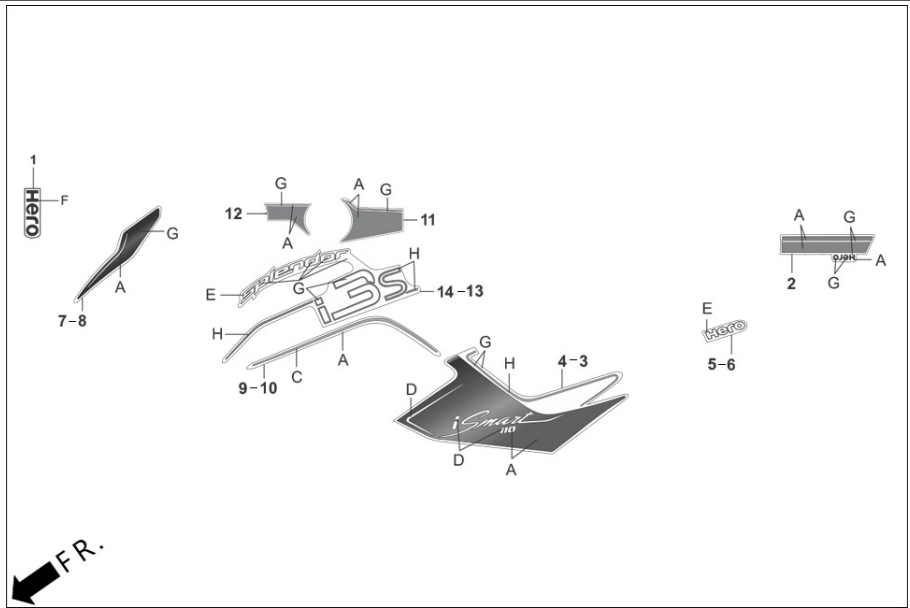
FR.

| | | | | |
|--------------|--------|--|--|--|
| Service Item | F.R.T. | Group Number: F-27 Model :: Splendor iSMART Euro III (Apr, 2017) | | |
|--------------|--------|--|--|--|

| Ref No. | Part Number | Description | Req. |
|---------|----------------|------------------------------|------|
| 4 | 86116-ABA-000R | STRIPE L SIDE COVER (TYPE-1) | 1 |
| | 86116-ABA-000S | STRIPE L SIDE COVER (TYPE-2) | 1 |
| | 86116-ABA-000T | STRIPE L SIDE COVER (TYPE-3) | 1 |
| | 86116-ABA-000U | STRIPE L SIDE COVER (TYPE-4) | 1 |

| SPECIFIED COLOUR CHART FOR STRIPE LEFT SIDE COVER | | | | | |
|--|-----------------|--------------|------------------|----------------|----------------------------------|
| SPECIFIED COLOUR TYPE | A | D | H | G | MAIN BODY COLOUR |
| 1 | TECHNO BLUE ME. | SASHTA WHITE | TERRA SILVER ME. | NH-1 BLACK-1 | TECHNO BLUE ME. (BL-002M) |
| 2 | HEAVY GRAY ME. | SASHTA WHITE | TERRA SILVER ME. | BOON SILVER ME | HEAVY GRAY ME. (NH-194-U) |
| 3 | SPORTS RED | SASHTA WHITE | TERRA SILVER ME. | BOON SILVER ME | SPORTS RED (R-321) TYPE-1 |
| 4 | SPORTS RED | SASHTA WHITE | TERRA SILVER ME. | NH-1 BLACK-1 | SPORTS RED (R-321) TYPE-2 |

F-27
STRIPES/MARKS



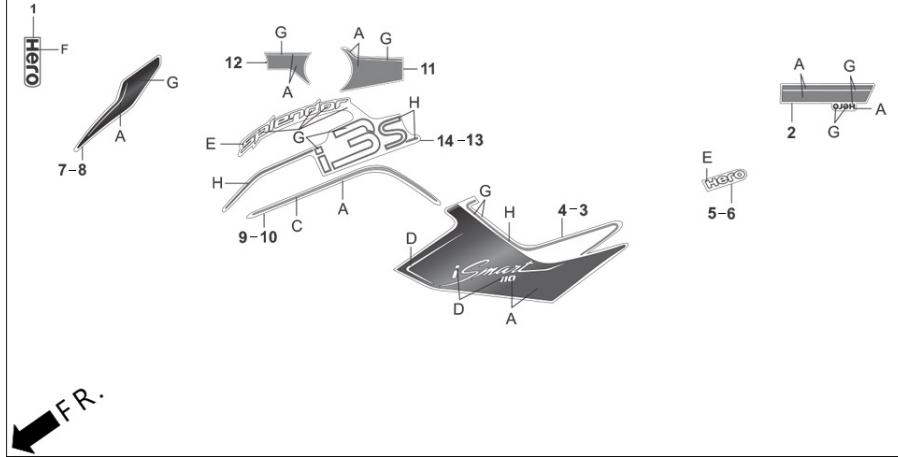
| | | | |
|---------------------|---------------|--|--|
| Service Item | F.R.T. | Group Number: F-27 Model :: Splendor iSMART Euro III (Apr, 2017) | |
|---------------------|---------------|--|--|

| Ref No. | Part Number | Description | Req. |
|---------|----------------|---------------------------------|------|
| 5 | 86855-ABA-000R | MARK HERO R SIDE COVER (TYPE-1) | 1 |
| | 86855-ABA-000S | MARK HERO R SIDE COVER (TYPE-2) | 1 |
| | 86855-ABA-000T | MARK HERO R SIDE COVER (TYPE-3) | 1 |

SPECIFIED COLOUR CHART FOR STRIPE MARK HERO RIGHT SIDE COVER

| SPECIFIED COLOUR TYPE | E | MAIN BODY COLOUR |
|-----------------------------|-----------------|---------------------------|
| 1 | FORCE SILVER ME | TECHNO BLUE ME. (BL-002M) |
| 2 | HEAVY GRAY ME. | HEAVY GRAY ME. (NH-194-U) |
| 3 | SPORTS RED | SPORTS RED (R-321) TYPE-1 |
| 1 | FORCE SILVER ME | SPORTS RED (R-321) TYPE-2 |

F-27
STRIPES/MARKS



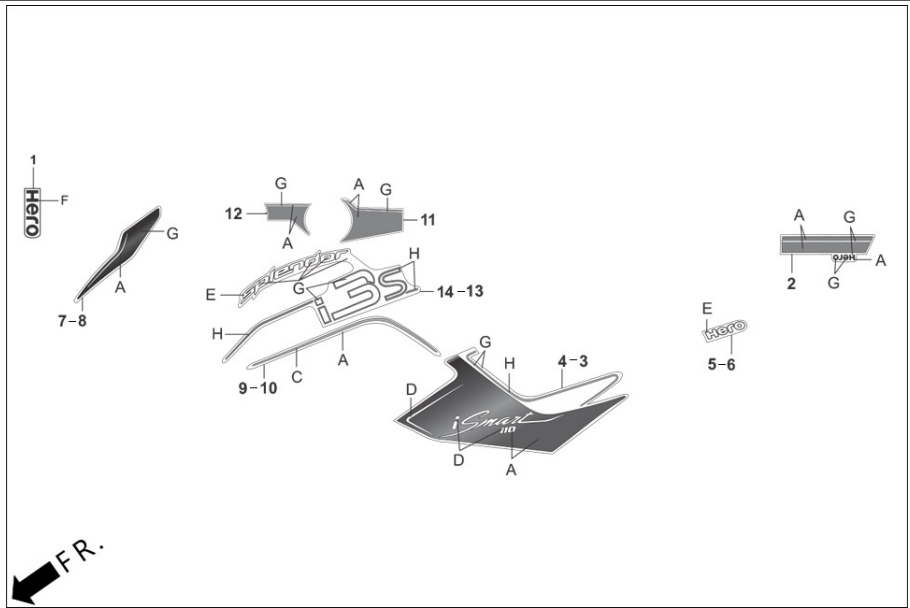
FR.

| Service Item | F.R.T. | Group Number: F-27 Model :: Splendor iSMART Euro III (Apr, 2017) | | | |
|--------------|--------|--|----------------|---------------------------------|------|
| | | Ref No. | Part Number | Description | Req. |
| | | 6 | 86856-ABA-000R | MARK HERO L SIDE COVER (TYPE-1) | 1 |
| | | | 86856-ABA-000S | MARK HERO L SIDE COVER (TYPE-2) | 1 |
| | | | 86856-ABA-000T | MARK HERO L SIDE COVER (TYPE-3) | 1 |

SPECIFIED COLOUR CHART FOR STRIPE MARK HERO LEFT SIDE COVER

| SPECIFIED COLOUR TYPE | E | MAIN BODY COLOUR |
|-----------------------------|-----------------|---------------------------|
| 1 | FORCE SILVER ME | TECHNO BLUE ME. (BL-002M) |
| 2 | HEAVY GRAY ME. | HEAVY GRAY ME. (NH-194-U) |
| 3 | SPORTS RED | SPORTS RED (R-321) TYPE-1 |
| 1 | FORCE SILVER ME | SPORTS RED (R-321) TYPE-2 |

F-27 STRIPES/MARKS



Service Item

F.R.T.

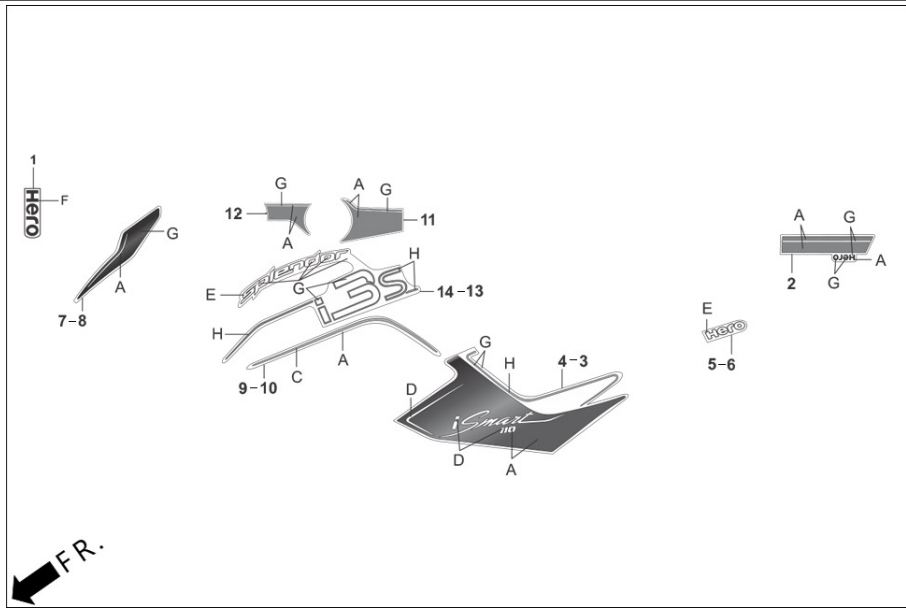
Group Number: F-27 Model :: Splendor iSMART Euro III (Apr, 2017)

| Ref No. | Part Number | Description | Req. |
|---------|----------------|---------------------------|------|
| 7 | 86407-ABA-000R | STRIPE R FR COWL (TYPE-1) | 1 |
| | 86407-ABA-000S | STRIPE R FR COWL (TYPE-2) | 1 |
| | 86407-ABA-000T | STRIPE R FR COWL (TYPE-3) | 1 |
| | 86407-ABA-000U | STRIPE R FR COWL (TYPE-4) | 1 |

SPECIFIED COLOUR CHART FOR STRIPE RIGHT FRONT COWL

| SPECIFIED COLOUR TYPE | A | G | MAIN BODY COLOUR |
|-----------------------------|-----------------|----------------|---------------------------|
| 1 | TECHNO BLUE ME. | NH-1 BLACK-1 | TECHNO BLUE ME. (BL-002M) |
| 2 | HEAVY GRAY ME. | BOON SILVER ME | HEAVY GRAY ME. (NH-194-U) |
| 3 | SPORTS RED | BOON SILVER ME | SPORTS RED (R-321) TYPE-1 |
| 4 | SPORTS RED | NH-1 BLACK-1 | SPORTS RED (R-321) TYPE-2 |

F-27
STRIPES/MARKS



FR.

| | | |
|--------------|--------|--|
| Service Item | F.R.T. | Group Number: F-27 Model :: Splendor iSMART Euro III (Apr, 2017) |
|--------------|--------|--|

| Ref No. | Part Number | Description | Req. |
|---------|----------------|---------------------------|------|
| 8 | 86408-ABA-000R | STRIPE L FR COWL (TYPE-1) | 1 |
| | 86408-ABA-000S | STRIPE L FR COWL (TYPE-2) | 1 |
| | 86408-ABA-000T | STRIPE L FR COWL (TYPE-3) | 1 |
| | 86408-ABA-000U | STRIPE L FR COWL (TYPE-4) | 1 |

SPECIFIED COLOUR CHART FOR STRIPE LEFT FRONT COWL

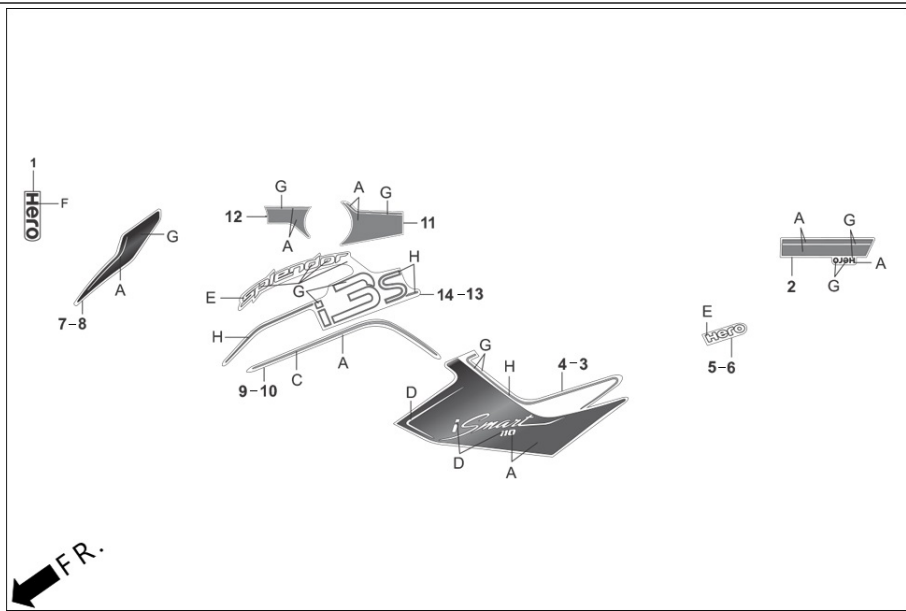
| SPECIFIED COLOUR TYPE | A | G | MAIN BODY COLOUR |
|-----------------------------|-----------------|----------------|---------------------------|
| 1 | TECHNO BLUE ME. | NH-1 BLACK-1 | TECHNO BLUE ME. (BL-002M) |
| 2 | HEAVY GRAY ME. | BOON SILVER ME | HEAVY GRAY ME. (NH-194-U) |
| 3 | SPORTS RED | BOON SILVER ME | SPORTS RED (R-321) TYPE-1 |
| 4 | SPORTS RED | NH-1 BLACK-1 | SPORTS RED (R-321) TYPE-2 |

| SPECIFIED COLOUR CHART FOR STRIPE 'D' RIGHT FUEL TANK | | | |
|--|-----------------|----------------|---------------------------|
| SPECIFIED COLOUR TYPE | A | C | MAIN BODY COLOUR |
| 1 | TECHNO BLUE ME. | BOON SILVER ME | TECHNO BLUE ME. (BL-002M) |
| 2 | HEAVY GRAY ME. | BOON SILVER ME | HEAVY GRAY ME. (NH-194-U) |
| 3 | SPORTS RED | BOON SILVER ME | SPORTS RED (R-321) TYPE-1 |
| 3 | SPORTS RED | BOON SILVER ME | SPORTS RED (R-321) TYPE-2 |

SPECIFIED COLOUR CHART FOR STRIPE 'D' LEFT FUEL TANK

| SPECIFIED COLOUR TYPE | A | C | MAIN BODY COLOUR |
|-----------------------------|-----------------|----------------|---------------------------|
| 1 | TECHNO BLUE ME. | BOON SILVER ME | TECHNO BLUE ME. (BL-002M) |
| 2 | HEAVY GRAY ME. | BOON SILVER ME | HEAVY GRAY ME. (NH-194-U) |
| 3 | SPORTS RED | BOON SILVER ME | SPORTS RED (R-321) TYPE-1 |
| 3 | SPORTS RED | BOON SILVER ME | SPORTS RED (R-321) TYPE-2 |

F-27 STRIPES/MARKS



FR.

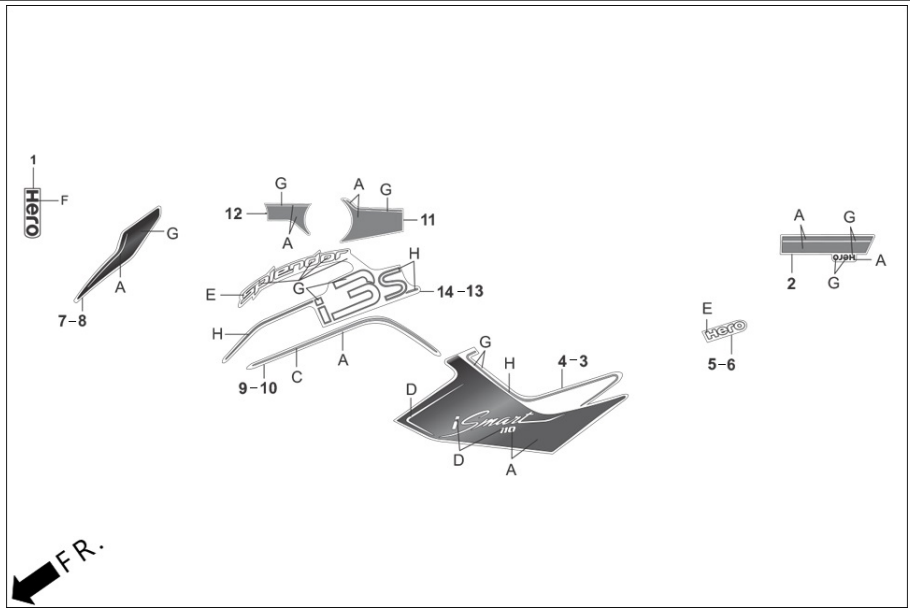
| | | |
|--------------|--------|--|
| Service Item | F.R.T. | Group Number: F-27 Model :: Splendor iSMART Euro III (Apr, 2017) |
|--------------|--------|--|

| Ref No. | Part Number | Description | Req. |
|---------|----------------|-----------------------------|------|
| 11 | 86511-ABA-000R | STRIPE A FUEL TANK (TYPE-1) | 1 |
| | 86511-ABA-000S | STRIPE A FUEL TANK (TYPE-2) | 1 |
| | 86511-ABA-000T | STRIPE A FUEL TANK (TYPE-3) | 1 |
| | 86511-ABA-000U | STRIPE A FUEL TANK (TYPE-4) | 1 |

SPECIFIED COLOUR CHART FOR STRIPE 'A' FUEL TANK

| SPECIFIED COLOUR TYPE | A | G | MAIN BODY COLOUR |
|-----------------------------|-----------------|----------------|---------------------------|
| 1 | TECHNO BLUE ME. | NH-1 BLACK-1 | TECHNO BLUE ME. (BL-002M) |
| 2 | HEAVY GRAY ME. | BOON SILVER ME | HEAVY GRAY ME. (NH-194-U) |
| 3 | SPORTS RED | BOON SILVER ME | SPORTS RED (R-321) TYPE-1 |
| 4 | SPORTS RED | NH-1 BLACK-1 | SPORTS RED (R-321) TYPE-2 |

F-27 STRIPES/MARKS



FR.

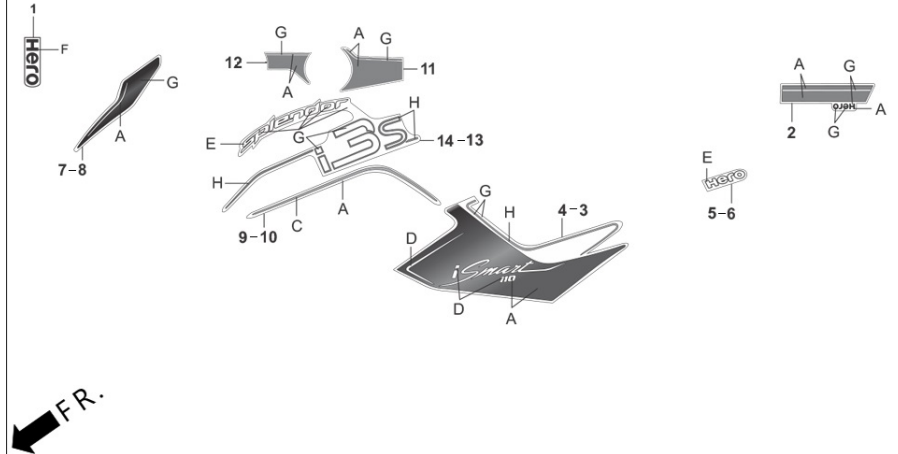
| | | |
|--------------|--------|--|
| Service Item | F.R.T. | Group Number: F-27 Model :: Splendor iSMART Euro III (Apr, 2017) |
|--------------|--------|--|

| Ref No. | Part Number | Description | Req. |
|---------|----------------|-----------------------------|------|
| 12 | 86512-ABA-000R | STRIPE B FUEL TANK (TYPE-1) | 1 |
| | 86512-ABA-000S | STRIPE B FUEL TANK (TYPE-2) | 1 |
| | 86512-ABA-000T | STRIPE B FUEL TANK (TYPE-3) | 1 |
| | 86512-ABA-000U | STRIPE B FUEL TANK (TYPE-4) | 1 |

SPECIFIED COLOUR CHART FOR STRIPE 'B' FUEL TANK

| SPECIFIED COLOUR TYPE | A | G | MAIN BODY COLOUR |
|-----------------------------|-----------------|----------------|---------------------------|
| 1 | TECHNO BLUE ME. | NH-1 BLACK-1 | TECHNO BLUE ME. (BL-002M) |
| 2 | HEAVY GRAY ME. | BOON SILVER ME | HEAVY GRAY ME. (NH-194-U) |
| 3 | SPORTS RED | BOON SILVER ME | SPORTS RED (R-321) TYPE-1 |
| 4 | SPORTS RED | NH-1 BLACK-1 | SPORTS RED (R-321) TYPE-2 |

F-27 STRIPES/MARKS

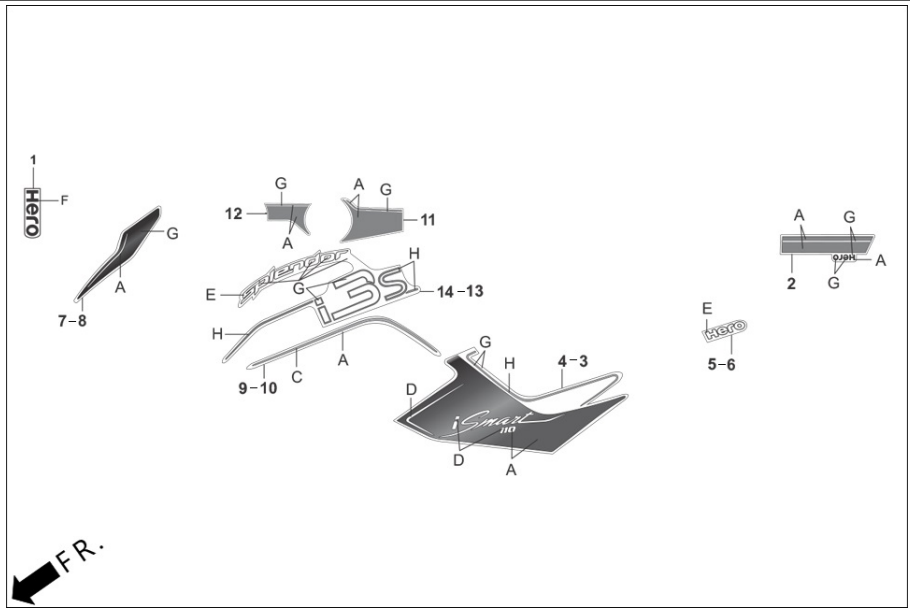


FR.

| Service Item | F.R.T. | Group Number: F-27 Model :: Splendor iSMART Euro III (Apr, 2017) | | | |
|--------------|--------|--|----------------|-------------------------------|------|
| | | Ref No. | Part Number | Description | Req. |
| | | 13 | 86513-ABA-000R | STRIPE C R FUEL TANK (TYPE-1) | 1 |
| | | | 86513-ABA-000S | STRIPE C R FUEL TANK (TYPE-2) | 1 |
| | | | 86513-ABA-000T | STRIPE C R FUEL TANK (TYPE-3) | 1 |

| SPECIFIED COLOUR CHART FOR STRIPE 'C' RIGHT FUEL TANK | | | | |
|--|-----------------|----------------|----------------|---------------------------|
| SPECIFIED COLOUR TYPE | E | H | G | MAIN BODY COLOUR |
| 1 | FORCE SILVER ME | HEAVY GRAY ME. | NH-1 BLACK-1 | TECHNO BLUE ME. (BL-002M) |
| 2 | HEAVY GRAY ME. | HEAVY GRAY ME. | BOON SILVER ME | HEAVY GRAY ME. (NH-194-U) |
| 3 | SPORTS RED | HEAVY GRAY ME. | BOON SILVER ME | SPORTS RED (R-321) TYPE-1 |
| 1 | FORCE SILVER ME | HEAVY GRAY ME. | NH-1 BLACK-1 | SPORTS RED (R-321) TYPE-2 |

F-27 STRIPES/MARKS



Service Item

F.R.T.

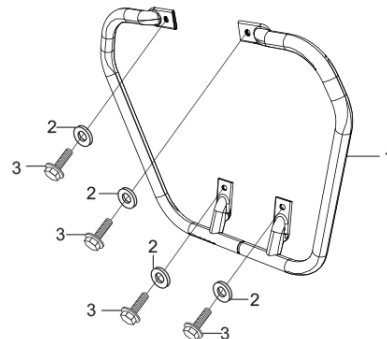
Group Number: F-27 Model :: Splendor iSMART Euro III (Apr, 2017)

| Ref No. | Part Number | Description | Req. |
|---------|----------------|-------------------------------|------|
| 14 | 86514-ABA-000R | STRIPE C L FUEL TANK (TYPE-1) | 1 |
| | 86514-ABA-000S | STRIPE C L FUEL TANK (TYPE-2) | 1 |
| | 86514-ABA-000T | STRIPE C L FUEL TANK (TYPE-3) | 1 |

| SPECIFIED COLOUR CHART FOR STRIPE 'C' LEFT FUEL TANK | | | | |
|---|-----------------|----------------|----------------|----------------------------------|
| SPECIFIED COLOUR TYPE | E | H | G | MAIN BODY COLOUR |
| 1 | FORCE SILVER ME | HEAVY GRAY ME. | NH-1 BLACK-1 | TECHNO BLUE ME. (BL-002M) |
| 2 | HEAVY GRAY ME. | HEAVY GRAY ME. | BOON SILVER ME | HEAVY GRAY ME. (NH-194-U) |
| 3 | SPORTS RED | HEAVY GRAY ME. | BOON SILVER ME | SPORTS RED (R-321) TYPE-1 |
| 1 | FORCE SILVER ME | HEAVY GRAY ME. | NH-1 BLACK-1 | SPORTS RED (R-321) TYPE-2 |

F-28

GUARD ENGINE ACCESSORIES



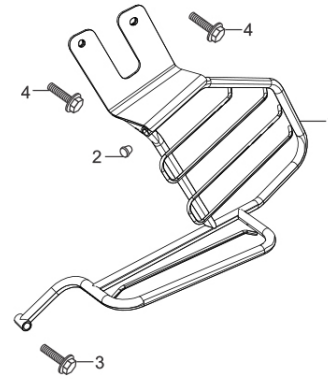
FR.

| Service Item | F.R.T. |
|-----------------|--------|
| * GUARD, ENGINE | -- |

Group Number: F-28 **Model ::** Splendor iSMART Euro III (Apr, 2017)

| Ref No. | Part Number | Description | Req. |
|---------|----------------|----------------------|------|
| 1 | 50803-ABA-000 | GUARD ENG | 1 |
| 2 | 94111-08000 | WASHER, SPRING, 8MM | 4 |
| 3 | 95701-08020-07 | BOLT, FLANGE, 8 X 20 | 4 |

F-29
STEP WOMEN



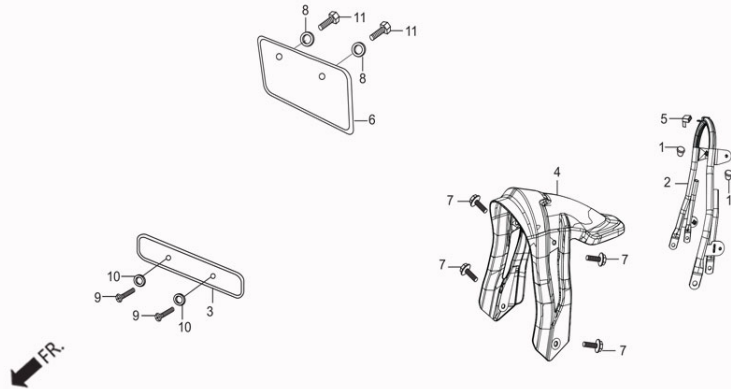
FR.

| Service Item | F.R.T. |
|---------------|--------|
| * GUARD, SARI | -- |

Group Number: F-29 **Model ::** Splendor iSMART Euro III (Apr, 2017)

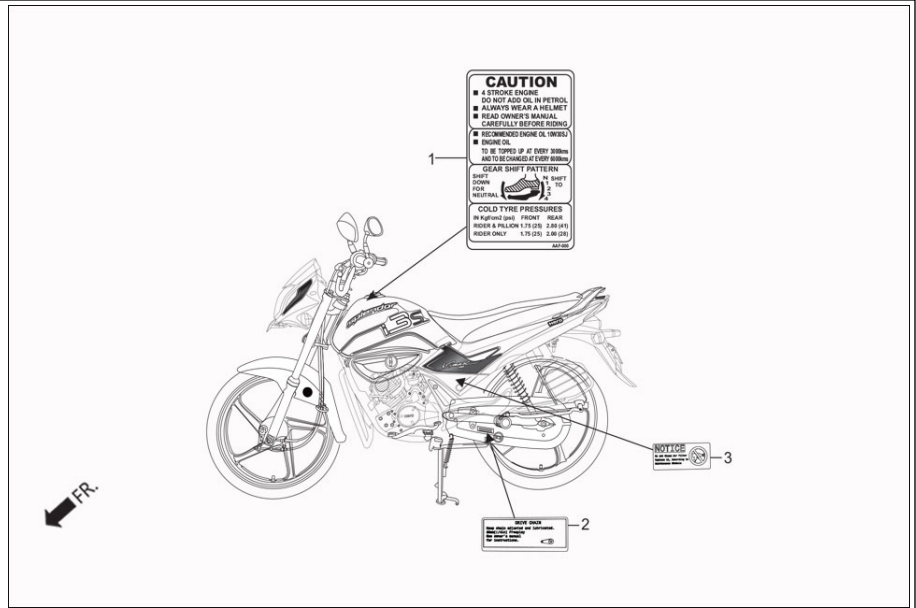
| Ref No. | Part Number | Description | Req. |
|---------|----------------|----------------------|------|
| 1 | 51103-ABA-000 | GUARD SARI | 1 |
| 2 | 51106-KCC-900 | CAP, GUARD SARI | 1 |
| 3 | 95701-08035-00 | BOLT, FLANGE, 8 X 35 | 1 |
| 4 | 95701-08016-00 | BOLT, FLANGE, 8X16 | 2 |

F-29A
NUMBER PLATE/HUGGER RR. FENDER
(OPTIONAL)



| Service Item | F.R.T. | Group Number: F-29A Model :: Splendor iSMART Euro III (Apr, 2017) | | | |
|---|---------------|--|--------------------|---------------------|-------------|
| | | Ref No. | Part Number | Description | Req. |
| * HEADLIGHT ASSY | 0.1 | 1 | 51106-KCC-900 | CAP, GUARD SARI | 2 |
| * RIM COMP., HEADLIGHT | -- | 2 | 52106-ABA-000 | STAY HUGGER FENDER | 1 |
| * UNIT, HEADLIGHT (INC. RELATIVE PART) | -- | 3 | 64310-198-D20A | PLATE, FRONT NUMBER | 1 |
| * BULB, HEADLIGHT | -- | 4 | 80350-ABA-000 | RR HUGGER FENDER | 1 |
| * SOCKET COMP., HEADLIGHT | 0.2 | 5 | 83502-KCC-900 | GROMMET, SIDE COVER | 1 |
| * PLATE FR., NUMBER | -- | 6 | 84701-P26-D00A | NUMBER, PLATE REAR | 1 |
| * BASE, FR. NUMBER PLATE | -- | 7 | 90111-KPL-900 | BOLT, INNER COVER | 4 |
| | | 8 | 94101-06000 | WASHER, PLAIN, 6 MM | 2 |
| | | 9 | 93500-05010-1A | SCREW, PAN, 5X10 | 2 |
| | | 10 | 94101-05000 | WASHER , PLAIN, 5MM | 2 |
| | | 11 | 92000-06012-0A | BOLT,HEX.,6X12 | 2 |

F-30
MARK CAUTION



| Service Item | F.R.T. | Group Number: F-30 Model :: Splendor iSMART Euro III (Apr, 2017) | | |
|--------------|---------------|--|------|--|
| Ref No. | Part Number | Description | Req. | |
| 1 | 87501-ABA-000 | MARK, CAUTION | 1 | |
| 2 | 87507-KPH-740 | LEBEL, DRIVE CHAIN | 1 | |
| 3 | 87509-AAP-000 | LABEL AIR/C ELEMENT NOTICE | 1 | |

PARTS INDEX

| PART NO | BLOCK | PART NO | BLOCK |
|-----------------|--------------|-----------------|--------------|
| 1110A-AAT-000 | E-8 | 14781-MA6-000 | E-3 |
| 1120A-AAT-011 | E-8 | 15100-AAT-000 | E-8 |
| 1844A-ABA-000 | F-17 | 15119-AAT-00099 | E-8 |
| 2830A-KWA-941 | F-17A | 15329-AAT-000 | E-8 |
| 3310A-ABA-001 | F-1 | 15384-178-000 | E-8 |
| 3340A-ABA-00099 | F-22 | 15421-035-010 | E-8 |
| 3345A-ABA-00099 | F-22 | 15431-198-000 | E-6 |
| 3360A-ABA-00099 | F-22 | 15439-AAH-00099 | E-6 |
| 3365A-ABA-00099 | F-22 | 15441-198-000 | E-6 |
| 3372A-ABA-001 | F-23 | 15650-AAC-H00 | E-5 |
| 5313A-AAN-H20 | F-4 | 15661-198-000 | E-6 |
| 6130B-ABA-000R | F-1 | 16010-AAT-000 | E-13 |
| 6130B-ABA-000S | F-1 | 16012-AAT-000 | E-13 |
| 6130B-ABA-000T | F-1 | 16013-KRB-901 | E-13 |
| 6130B-ABA-000U | F-1 | 16014-AAT-000 | E-13 |
| 7720B-ABA-000 | F-12 | 16015-AAT-000 | E-13 |
| 11191-AAT-00099 | E-8 | 16016-KPH-651 | E-13 |
| 11321-AAT-010 | E-7B | 16022-AAT-000 | E-13 |
| 11330-AAT-000 | E-5 | 16028-KPH-901 | E-13 |
| 11341-AAT-010 | E-7A | 16037-KPH-901 | E-13 |
| 11360-ABA-000 | E-7A | 16060-AAT-000 | E-13 |
| 11394-AAT-00099 | E-5 | 16076-KPL-901 | E-13 |
| 11395-AAT-01099 | E-7A | 16100-ABA-100 | E-13 |
| 12101-ABA-100 | E-2 | 16118-AAT-000 | E-13 |
| 12191-AAT-00099 | E-2 | 16148-KPL-901 | E-13 |
| 12200-ABA-100 | E-2 | 16155-KRS-861 | E-13 |
| 12209-AAN-410 | E-3 | 16163-GFP-901 | E-13 |
| 12237-AAT-305 | E-2 | 16165-AAT-000 | E-13 |
| 12237-AAT-305 | E-2 | 16199-KWA-931 | E-13 |

| | | | |
|-----------------|-----|-----------------|-------|
| 12251-AAT-001 | E-2 | 16210-ABA-100 | E-1 |
| 12301-AAT-000 | E-1 | 16217-AAT-000 | E-1 |
| 12331-AAT-000 | E-1 | 16222-MV4-300 | E-1 |
| 12341-AAT-000 | E-1 | 16950-ABA-00099 | F-13 |
| 12361-035-000 | E-1 | 16955-ABA-000 | F-13 |
| 12391-AAT-00099 | E-1 | 16958-397-770 | F-13 |
| 12394-AAT-00099 | E-1 | 17199-ABA-000 | F-13A |
| 12395-AAH-00099 | E-1 | 17208-AAT-000 | F-15 |
| 13000-AAT-000 | E-9 | 17210-AAT-000 | F-15 |
| 13011-AAT-000 | E-9 | 17214-KWA-840 | F-15 |
| 13101-AAT-000 | E-9 | 17218-AAT-000 | F-15 |
| 13111-087-000 | E-9 | 17219-KTC-900 | F-15 |
| 13115-001-000 | E-9 | 17220-AAT-000 | F-15 |
| 13201-GF6-300 | E-9 | 17224-ABA-000 | F-15 |
| 13381-KCC-900L | E-9 | 17227-ABA-000 | F-15 |
| 14100-AAT-001 | E-3 | 17234-KCC-940 | F-15 |
| 14311-035-000 | E-9 | 17251-AAT-000 | F-15 |
| 14321-AAD-200 | E-4 | 17253-AAT-000 | F-15 |
| 14401-AAD-00099 | E-4 | 17300-ABA-000 | F-13A |
| 14430-AAT-000 | E-3 | 17369-ABA-000 | F-13A |
| 14451-ABA-000 | E-3 | 17369-198-770 | F-15 |
| 14452-ABA-000 | E-3 | 17371-AAT-000 | E-8 |
| 14510-AAT-000 | E-4 | 17371-ABA-100 | F-13A |
| 14515-AAT-000 | E-4 | 17411-ABA-000 | F-13A |
| 14520-KPL-840 | E-4 | 17500-ABA-000R | F-13 |
| 14560-KSP-910 | E-4 | 17500-ABA-000S | F-13 |
| 14610-AAT-001 | E-4 | 17500-ABA-000T | F-13 |
| 14670-AAT-000 | E-4 | 17500-ABA-000U | F-13 |
| 14675-AAT-000 | E-4 | 17506-ABA-000 | F-13 |
| 14711-AAT-00099 | E-3 | 17509-398-960 | F-12 |

| | | | |
|-----------------|-----|---------------|-------|
| 14721-AAT-00099 | E-3 | 17509-398-960 | F-14 |
| 14751-AAT-000 | E-3 | 17525-KVE-900 | F-13A |
| 14761-AAT-000 | E-3 | 17554-ABA-000 | F-13 |
| 14771-AAT-000 | E-3 | 17555-ABA-000 | F-13 |
| 14775-MA6-000 | E-3 | 17611-KTR-A00 | F-13 |

| PART NO | BLOCK | PART NO | BLOCK |
|----------------|--------------|-----------------|--------------|
| 17613-KCC-900 | F-13 | 28130-AAT-010 | E-7B |
| 17620-AAG-501 | F-13 | 28132-AAT-010 | E-7B |
| 17622-GB7-900 | F-25 | 28211-AAF-000 | E-11 |
| 17681-KTN-700 | F-13 | 28221-198-010 | E-11 |
| 17682-ABA-000 | F-13A | 28251-GF6-000 | E-11 |
| 17910-ABA-000 | F-3 | 28253-397-000 | E-11 |
| 18291-AAT-000 | F-16 | 28254-198-000 | E-11 |
| 18293-KPK-900 | F-16 | 28256-198-000 | E-11 |
| 18293-AY-000 | F-16 | 28261-198-000 | E-11 |
| 18340-ABA-000 | F-16 | 28262-198-000 | E-11 |
| 18345-MBT-610 | F-16 | 28293-KAG-900 | F-17A |
| 18350-ABA-100 | F-16 | 28302-KWA-940 | F-17A |
| 18355-ABA-000 | F-16 | 28321-427-770 | F-17A |
| 18421-ABA-000 | F-17 | 28333-124-000 | F-17A |
| 18442-ABA-000 | F-17 | 30401-ABA-001 | F-24 |
| 18651-KST-900 | F-15 | 30480-ABA-001 | F-24 |
| 22110-AAH-H40 | E-6 | 30500-ABA-001 | F-24 |
| 22121-198-900 | E-6 | 30700-KSP-B01 | F-24 |
| 22201-GF6-000 | E-6 | 31100-AAT-01099 | E-7A |
| 22311-107-000 | E-6 | 31110-AAT-011 | E-7A |
| 22350-115-020 | E-6 | 31110-AAT-013 | E-7A |
| 22361-KST-940 | E-6 | 31120-AAT-001 | E-7A |
| 22401-GF6-000 | E-6 | 31204-AAT-011 | E-7C |
| 22810-198-000 | E-5 | 31205-AAT-011 | E-7C |
| 22815-166-000 | E-5 | 31206-AAT-011 | E-7C |
| 22847-KCC-900 | E-6 | 31210-AAT-011 | E-7C |
| 22870-ABA-000 | F-3 | 31213-AAT-011 | E-7C |
| 22871-116-670 | F-3 | 31500-KVT-801 | F-24 |
| 23112-AAJ-H10 | E-6 | 31600-ABA-001 | F-24 |

| | | | |
|----------------|------|-----------------|------|
| 23121-KST-901 | E-6 | 31600-KWF-841 | F-24 |
| 23211-GF6-000 | E-10 | 31917-AAC-H00 | E-1 |
| 23216-GF6-000 | E-6 | 32100-ABA-000 | F-24 |
| 23217-GF6-000L | E-6 | 32108-344-820 | F-24 |
| 23221-GF6-000 | E-10 | 32161-404-000 | F-3 |
| 23421-GB4-770 | E-10 | 32410-KVH-871 | E-7C |
| 23422-GB4-770 | E-10 | 32961-AAT-000 | E-7A |
| 23431-GN5-910 | E-10 | 33112-KTN-921 | F-1 |
| 23441-GB4-770 | E-10 | 33120-ABA-001 | F-1 |
| 23451-GK4-761 | E-10 | 33128-GBL-000 | F-1 |
| 23461-GK4-760 | E-10 | 33130-ABA-001 | F-1 |
| 23471-GN5-910 | E-10 | 33301-KVE-900 | F-1 |
| 23481-HF7-000 | E-10 | 33301-KVE-900 | F-23 |
| 23801-178-000 | E-10 | 33401-ABA-00099 | F-22 |
| 23801-AAD-305 | E-10 | 33402-ABA-00099 | F-22 |
| 23802-040-000 | E-10 | 33405-ABA-00099 | F-22 |
| 24211-GF6-000R | E-12 | 33408-ABA-00099 | F-22 |
| 24261-121-742 | E-12 | 33451-ABA-00099 | F-22 |
| 24263-028-000 | E-12 | 33455-ABA-00099 | F-22 |
| 24301-KWA-930 | E-12 | 33491-ABA-001 | F-22 |
| 24411-198-900 | E-12 | 33605-ABA-00099 | F-22 |
| 24421-200-000 | E-12 | 33619-459-840 | F-16 |
| 24425-198-900 | E-12 | 33655-ABA-00099 | F-22 |
| 24430-KST-900 | E-12 | 33701-ABA-001 | F-23 |
| 24435-GB4-770 | E-12 | 33706-ABA-000 | F-1 |
| 24610-KST-940 | E-12 | 33706-ABA-000 | F-23 |
| 24639-035-000L | E-12 | 33710-ABA-001 | F-23 |
| 24641-041-000 | E-12 | 33714-KL3-620 | F-21 |
| 24651-035-000L | E-12 | 33714-KL3-620 | F-25 |
| 24652-035-000 | E-12 | 33715-ABA-001 | F-23 |

| | | | |
|---------------|-------|----------------|------|
| 24701-ABA-000 | F-17A | 33721-ABA-001 | F-23 |
| 24781-KR3-770 | F-17A | 33722-KVE-900 | F-23 |
| 28110-AAT-010 | E-7B | 33723-KVE-900H | F-23 |
| 28117-AAT-010 | E-7B | 33729-MCZ-003 | F-23 |
| 28120-KWA-942 | E-7B | 33741-KAK-971 | F-6 |

| PART NO | BLOCK | PART NO | BLOCK |
|-----------------|--------------|-----------------|--------------|
| 33741-KTC-900 | F-21 | 43145-GC5-000 | F-10 |
| 34901-KSP-910 | F-1 | 43151-110-000 | F-10 |
| 34901-KSP-910 | F-1 | 43410-KST-940 | F-10 |
| 34907-KVN-901 | F-23 | 43431-ABA-000 | F-19 |
| 34930-AAC-700 | F-22 | 43434-286-000 | F-10 |
| 35010-ABA-001 | F-2 | 43451-ABA-000 | F-18 |
| 35100-AAF-H00 | F-2 | 44301-KTR-700 | F-9 |
| 35121-AAF-H00 | F-2 | 44311-KRC-900 | F-9 |
| 35122-AAF-H00 | F-2 | 44601-AAF-030 | F-9 |
| 35130-AAD-00099 | F-18 | 44620-400-000 | F-9 |
| 35140-AAD-00099 | F-18 | 44622-AAF-001 | F-9 |
| 35150-AAF-041 | F-3 | 44711-KRY-971 | F-9 |
| 35200-ABA-011 | F-3 | 44805-KTC-900 | F-8 |
| 35330-413-003 | F-3 | 44806-KST-900 | F-8 |
| 35340-KST-950 | F-3 | 44809-170-000 | F-8 |
| 35350-KWA-940 | F-18 | 44810-KTC-900 | F-8 |
| 35357-ABA-000 | F-18 | 44830-ABA-000 | F-2 |
| 35750-001-000 | E-12 | 44831-ABA-000 | F-2 |
| 35753-035-010 | E-12 | 45010-AAC-030 | F-8 |
| 35755-001-000 | E-12 | 45125-AAH-F0099 | F-8 |
| 37100-ABA-001 | F-2 | 45125-AAH-F0099 | F-8 |
| 37102-ABA-000 | F-2 | 45133-KCC-900 | F-8 |
| 37103-ABA-000 | F-2 | 45134-250-000 | F-8 |
| 37110-ABA-001 | F-2 | 45134-250-000 | F-10 |
| 37112-ABA-001 | F-2 | 45141-KTC-900 | F-8 |
| 37113-ABA-001 | F-2 | 45145-096-650 | F-8 |
| 37243-323-000 | F-17 | 45410-KTR-A20 | F-8 |
| 37800-ABA-000 | F-13 | 45435-GB2-720 | F-8 |
| 37800-KVH-870 | F-13 | 45450-ABA-000 | F-3 |

| | | | |
|-----------------|------|---------------|-------|
| 38110-AAN-601 | F-25 | 45451-ABA-000 | F-6 |
| 38117-KFE-701 | F-25 | 46500-ABA-000 | F-18 |
| 38301-KWA-931 | F-24 | 46514-KCC-900 | F-18 |
| 38306-GE7-000 | F-24 | 46515-KB9-000 | F-18 |
| 38501-KTP-890 | F-24 | 50100-ABA-000 | F-25 |
| 38501-KWH-971 | F-24 | 50160-KCC-900 | F-17 |
| 38502-KSP-910 | F-24 | 50225-ABA-000 | F-25 |
| 38506-KSP-910 | F-24 | 50301-KTR-900 | F-5 |
| 38506-KWA-840 | F-24 | 50325-AAC-220 | F-24 |
| 40510-ABA-000 | F-19 | 50353-ABA-000 | F-25 |
| 40520-ABA-000 | F-19 | 50354-ABA-000 | F-25 |
| 40524-ABA-000 | F-19 | 50500-AAH-H40 | F-18 |
| 40530-KST-940 | F-19 | 50505-KCC-900 | F-16 |
| 40543-198-900 | F-10 | 50512-KTC-900 | F-18 |
| 40544-198-900 | F-11 | 50524-001-000 | F-12 |
| 40545-ABA-000 | F-19 | 50530-KST-940 | F-17A |
| 41201-ABA-000 | F-11 | 50534-ABA-000 | F-25 |
| 41241-KST-941 | F-11 | 50535-ABA-000 | F-25 |
| 42301-ABA-000 | F-11 | 50603-KB4-000 | F-17 |
| 42303-AAC-500 | F-11 | 50611-ABA-000 | F-17 |
| 42304-198-900 | F-11 | 50612-ABA-000 | F-17 |
| 42313-198-900 | F-10 | 50614-413-000 | F-17 |
| 42601-AAF-030 | F-11 | 50618-KCC-000 | F-17 |
| 42611-KST-940 | F-11 | 50619-KCC-000 | F-17 |
| 42615-198-900 | F-11 | 50619-425-010 | F-17 |
| 42620-GB6-920 | F-11 | 50661-425-670 | F-17 |
| 42622-AAF-001 | F-11 | 50701-ABA-000 | F-17 |
| 42653-001-000 | F-11 | 50702-ABA-000 | F-17 |
| 42711-AAF-00099 | F-11 | 50711-198-720 | F-17 |
| 42753-KWF-90099 | F-9 | 50712-405-000 | F-17 |

| | | | |
|-----------------|------|---------------|-------|
| 42753-KWF-90099 | F-11 | 50715-405-000 | F-17 |
| 43100-153-610Z | F-10 | 50803-ABA-000 | F-28 |
| 43125-AAD-000 | F-8 | 51103-ABA-000 | F-29 |
| 43125-KST-940 | F-10 | 51106-KCC-900 | F-29 |
| 43141-KST-920 | F-10 | 51106-KCC-900 | F-29A |

| PART NO | BLOCK | PART NO | BLOCK |
|-----------------|--------------|----------------|--------------|
| 51400-KTR-A01 | F-7 | 64315-ABA-000 | F-1 |
| 51401-KST-941 | F-7 | 77033-ABA-000 | F-12 |
| 51403-KCC-900 | F-7 | 77110-AAC-H00 | F-12 |
| 51403-447-730 | F-7 | 77156-ABA-000 | F-12 |
| 51410-KWA-941 | F-7 | 77200-ABA-000 | F-12 |
| 51412-KAG-900 | F-7 | 77202-KCC-900 | F-12 |
| 51412-KWA-941 | F-7 | 77202-KCC-900 | F-14 |
| 51420-KTR-A01 | F-7 | 77204-KCC-900 | F-12 |
| 51425-KST-901 | F-7 | 77205-KVN-900 | F-23 |
| 51432-KST-901 | F-7 | 77206-ABA-000 | F-12 |
| 51437-KVN-901 | F-7 | 77206-KTR-900 | F-12 |
| 51440-KTR-901 | F-7 | 77220-KY6-000 | F-12 |
| 51500-KTR-A01 | F-7 | 77221-ABA-0001 | F-12 |
| 51520-KTR-A01 | F-7 | 77221-ABA-0002 | F-12 |
| 52101-KST-940 | F-19 | 77222-ABA-0001 | F-12 |
| 52106-ABA-000 | F-29A | 77222-ABA-0002 | F-12 |
| 52110-ABA-000 | F-19 | 77230-ABA-000R | F-12 |
| 52147-KTC-900 | F-19 | 77230-ABA-000S | F-12 |
| 52170-AAJ-H40 | F-19 | 77230-ABA-000T | F-12 |
| 52400-KWA-90099 | F-20 | 77230-ABA-000U | F-12 |
| 52410-KCC-871 | F-20 | 77232-KVE-900 | F-1 |
| 52486-KAG-900 | F-20 | 77232-KVE-900 | F-21 |
| 52486-KTN-701 | F-20 | 77235-ABA-000 | F-23 |
| 52489-399-600 | F-20 | 77246-ABA-000R | F-12 |
| 52495-098-000 | F-20 | 77246-ABA-000S | F-12 |
| 53100-ABA-000 | F-4 | 77246-ABA-000T | F-12 |
| 53105-KRC-900 | F-3 | 77256-ABA-000R | F-12 |
| 53131-KTR-A20 | F-4 | 77256-ABA-000S | F-12 |
| 53132-124-000 | F-4 | 77256-ABA-000T | F-12 |

| | | | |
|----------------|-----|----------------|-------|
| 53132-KZN-900 | F-4 | 77300-ABA-0001 | F-12 |
| 53133-198-900 | F-4 | 77300-ABA-0002 | F-12 |
| 53134-028-000 | F-4 | 80100-ABA-000 | F-21 |
| 53135-198-900 | F-4 | 80101-443-000 | F-1 |
| 53136-198-900 | F-4 | 80102-ABA-000 | F-21 |
| 53140-AAF-000 | F-3 | 80108-ABA-000 | F-19 |
| 53166-AAF-000 | F-3 | 80133-ABA-000 | F-23 |
| 53171-KCC-900 | F-3 | 80172-ABA-000 | F-21 |
| 53172-KTC-920 | F-3 | 80203-KVE-900 | F-23 |
| 53173-KTR-A20 | F-3 | 80350-ABA-000 | F-29A |
| 53175-AAF-H00 | F-3 | 83163-ABA-000 | F-14 |
| 53178-AAF-H00 | F-3 | 83300-ABA-000R | F-14 |
| 53179-KTC-900 | F-3 | 83300-ABA-000S | F-14 |
| 53200-ABA-000 | F-5 | 83300-ABA-000T | F-14 |
| 53209-GAH-000 | F-1 | 83300-ABA-000U | F-14 |
| 53211-268-010 | F-5 | 83400-ABA-000R | F-14 |
| 53212-200-000 | F-5 | 83400-ABA-000S | F-14 |
| 53214-200-000 | F-5 | 83400-ABA-000T | F-14 |
| 53215-KTR-900 | F-5 | 83400-ABA-000U | F-14 |
| 53221-KTR-900 | F-5 | 83402-ABA-000 | F-1 |
| 53222-KTR-900 | F-5 | 83407-KTR-940 | F-15 |
| 53230-KST-950 | F-4 | 83502-KCC-900 | F-13 |
| 53252-ABA-000 | F-2 | 83502-KCC-900 | F-29A |
| 61101-ABA-000R | F-6 | 83551-300-000 | F-13 |
| 61101-ABA-000S | F-6 | 83551-300-000 | F-14 |
| 61101-ABA-000T | F-6 | 83551-300-000 | F-25 |
| 61102-ABA-000 | F-6 | 83596-ABA-000 | F-14 |
| 61103-KST-940 | F-6 | 83597-ABA-000 | F-14 |
| 61104-KST-940 | F-6 | 83598-ABA-000 | F-25 |
| 61308-ABA-000 | F-1 | 83599-ABA-000 | F-25 |

| | | | |
|----------------|-------|----------------|-------|
| 61311-ABA-000 | F-1 | 84701-P26-D00A | F-29A |
| 61312-149-300 | F-1 | 86115-ABA-000R | F-27 |
| 61313-ABA-000 | F-1 | 86115-ABA-000S | F-27 |
| 64100-ABA-000 | F-1 | 86115-ABA-000T | F-27 |
| 64310-198-D20A | F-29A | 86115-ABA-000U | F-27 |

| PART NO | BLOCK | PART NO | BLOCK |
|----------------|--------------|----------------|--------------|
| 86116-ABA-000R | F-27 | 90032-AAH-000 | E-8 |
| 86116-ABA-000S | F-27 | 90033-AAT-000 | E-2 |
| 86116-ABA-000T | F-27 | 90050-KFL-850 | E-6 |
| 86116-ABA-000U | F-27 | 90071-171-010 | E-12 |
| 86407-ABA-000R | F-27 | 90081-AAT-000 | E-2 |
| 86407-ABA-000S | F-27 | 90083-KVH-900 | E-4 |
| 86407-ABA-000T | F-27 | 90083-KVH-900 | E-7A |
| 86407-ABA-000U | F-27 | 90084-KWA-930 | E-7A |
| 86408-ABA-000R | F-27 | 90085-KWA-940 | E-7B |
| 86408-ABA-000S | F-27 | 90101-GE0-000 | F-12 |
| 86408-ABA-000T | F-27 | 90101-087-720 | F-12 |
| 86408-ABA-000U | F-27 | 90101-087-720 | F-14 |
| 86511-ABA-000R | F-27 | 90101-ABA-000 | F-15 |
| 86511-ABA-000S | F-27 | 90101-KCC-940 | F-25 |
| 86511-ABA-000T | F-27 | 90102-KVN-900 | F-4 |
| 86511-ABA-000U | F-27 | 90103-KVH-900 | F-1 |
| 86512-ABA-000R | F-27 | 90107-GZ4-670 | F-12 |
| 86512-ABA-000S | F-27 | 90107-KAN-900 | F-16 |
| 86512-ABA-000T | F-27 | 90107-AAD-000 | F-17A |
| 86512-ABA-000U | F-27 | 90109-ABA-000 | F-2 |
| 86513-ABA-000R | F-27 | 90111-187-000 | F-15 |
| 86513-ABA-000S | F-27 | 90111-ABA-000 | F-19 |
| 86513-ABA-000T | F-27 | 90111-187-000 | F-21 |
| 86514-ABA-000R | F-27 | 90111-KPL-900 | F-29A |
| 86514-ABA-000S | F-27 | 90114-310-000 | F-3 |
| 86514-ABA-000T | F-27 | 90116-KAG-900 | F-7 |
| 86515-ABA-000R | F-27 | 90116-KCC-900 | F-25 |
| 86515-ABA-000S | F-27 | 90117-KCC-900 | F-25 |
| 86515-ABA-000T | F-27 | 90122-KVT-941 | F-24 |

| | | | |
|----------------|------|----------------|------|
| 86516-ABA-000R | F-27 | 90123-KRM-860 | F-7 |
| 86516-ABA-000S | F-27 | 90123-KST-941 | F-7 |
| 86516-ABA-000T | F-27 | 90133-331-770 | F-19 |
| 86853-ABA-000R | F-27 | 90183-KTC-900 | F-19 |
| 86853-ABA-000S | F-27 | 90201-GF6-000R | E-1 |
| 86853-ABA-000T | F-27 | 90201-KST-900 | F-3 |
| 86853-ABA-000U | F-27 | 90202-329-000 | F-20 |
| 86854-ABA-0000 | F-27 | 90206-001-000 | E-3 |
| 86855-ABA-000R | F-27 | 90231-087-010 | E-6 |
| 86855-ABA-000S | F-27 | 90231-198-000 | E-6 |
| 86855-ABA-000T | F-27 | 90302-KBP-900 | F-10 |
| 86856-ABA-000R | F-27 | 90302-KTE-911 | F-10 |
| 86856-ABA-000S | F-27 | 90302-KTE-911 | F-10 |
| 86856-ABA-000T | F-27 | 90302-KBP-900 | F-11 |
| 87501-ABA-000 | F-30 | 90304-KPL-900 | F-3 |
| 87507-KPH-740 | F-30 | 90304-KST-942 | F-4 |
| 87509-AAP-000 | F-30 | 90304-KSP-900 | F-4 |
| 88110-ABA-000R | F-3 | 90304-438-000 | F-16 |
| 88110-ABA-000S | F-3 | 90305-KSP-900 | F-16 |
| 88110-ABA-000T | F-3 | 90306-KTE-911 | F-9 |
| 88114-198-D10 | F-3 | 90306-KST-942 | F-9 |
| 88120-ABA-000R | F-3 | 90306-KTE-911 | F-10 |
| 88120-ABA-000S | F-3 | 90306-KST-942 | F-10 |
| 88120-ABA-000T | F-3 | 90306-KTE-911 | F-11 |
| 89102-538-000 | F-26 | 90306-KST-942 | F-11 |
| 89103-538-000 | F-26 | 90306-KST-942 | F-17 |
| 89215-AAC-000 | F-26 | 90306-KVT-941 | F-24 |
| 89216-AAD-H00 | F-26 | 90307-GJ6-000 | F-1 |
| 90002-ABA-000 | E-4 | 90307-001-000 | F-11 |
| 90003-MY5-720 | F-3 | 90309-357-000 | F-11 |

| | | | |
|----------------|------|---------------|------|
| 90005-KY7-000 | E-4 | 90311-MT3-000 | F-1 |
| 90012-333-000R | E-3 | 90311-MT3-000 | F-15 |
| 90014-ABA-000 | E-4 | 90311-ABA-000 | F-23 |
| 90022-GFP-900 | E-12 | 90320-GC3-000 | F-1 |
| 90031-AAH-000 | E-8 | 90320-GC3-000 | F-12 |

| PART NO | BLOCK | PART NO | BLOCK |
|----------------|--------------|----------------|--------------|
| 90320-GC3-000 | F-21 | 91305-MC7-000 | F-13 |
| 90324-KCC-870 | F-13 | 91305-443-740 | F-13 |
| 90325-KCC-900 | F-13 | 91306-105-690 | E-4 |
| 90380-MB2-000 | F-22 | 91307-035-000 | E-5 |
| 90381-ABA-000 | F-12 | 91309-AAT-011 | E-7C |
| 90407-AAT-000 | E-8 | 91312-107-000 | E-12 |
| 90410-HC4-000 | E-7A | 91317-171-000 | E-7B |
| 90432-086-000 | E-6 | 91352-GAZ-930 | F-2 |
| 90442-GF6-000 | E-1 | 91356-KAG-900 | F-7 |
| 90443-GF6-010 | E-1 | 91406-KFN-850 | F-15 |
| 90451-GF6-000 | E-10 | 91455-MG8-000 | F-4 |
| 90451-198-000 | E-10 | 91509-GE2-760 | F-1 |
| 90452-GB4-770 | E-10 | 91509-GE2-760 | F-12 |
| 90452-115-000 | E-11 | 91509-GE2-760 | F-14 |
| 90454-107-000 | E-11 | 91540-AAN-410 | F-24 |
| 90461-357-000 | E-1 | 92000-06008-0H | E-10 |
| 90461-GF6-000 | E-6 | 92000-06016-0A | E-12 |
| 90461-GB4-770 | E-10 | 92000-06016-0A | F-1 |
| 90461-035-000 | E-10 | 92000-06016-0A | F-17 |
| 90461-459-000 | E-10 | 92000-06012-0A | F-29A |
| 90464-GBG-900 | E-7B | 92101-06025-0G | F-3 |
| 90501-MC4-000 | F-21 | 92101-06032-0A | F-17A |
| 90501-KC2-750 | F-25 | 92800-16000-00 | E-8 |
| 90502-198-900 | F-18 | 92811-10000 | F-10 |
| 90503-KTR-900 | F-4 | 93500-05025-0G | E-1 |
| 90505-425-000 | F-10 | 93500-05010-0H | E-8 |
| 90505-KY4-900 | F-12 | 93500-05020-0G | F-3 |
| 90521-292-000 | F-7 | 93500-05022-1G | F-3 |
| 90544-439-930 | F-7 | 93500-04025-0G | F-13 |

| | | | |
|---------------|------|-----------------|-------|
| 90551-KTE-910 | F-20 | 93500-05010-1A | F-29A |
| 90563-355-000 | F-23 | 93600-05012-1H | E-6 |
| 90601-AAB-A00 | E-10 | 93600-06016-0A | E-7B |
| 90601-459-000 | E-10 | 93891-05014-18 | F-18 |
| 90601-459-000 | E-11 | 93892-04008-08 | E-7C |
| 90601-GF5-730 | F-7 | 93892-04006-08L | E-7C |
| 90701-GF6-000 | E-2 | 93892-04010-10 | E-13 |
| 90702-GB6-910 | E-4 | 93892-04018-08L | E-13 |
| 90702-GB6-910 | E-5 | 93893-05025-00 | F-15 |
| 90702-GB6-910 | E-7A | 93901-32220 | F-1 |
| 90703-HC4-000 | E-8 | 93901-34310 | F-1 |
| 90741-KFB-000 | E-9 | 93901-34120 | F-2 |
| 90753-029-000 | F-11 | 93901-32110 | F-22 |
| 90801-035-000 | E-12 | 93901-24480 | F-23 |
| 91001-GF6-000 | E-9 | 93903-22480 | F-2 |
| 91005-KWA-940 | E-7B | 93903-35280 | F-12 |
| 91101-AAF-000 | E-9 | 93903-34410 | F-12 |
| 91102-AAF-000 | E-9 | 93903-34110 | F-14 |
| 91103-AAF-000 | E-9 | 93903-34210 | F-15 |
| 91201-GBG-900 | E-7B | 93903-34210 | F-21 |
| 91202-302-010 | E-5 | 93903-35380 | F-23 |
| 91203-GB5-760 | E-10 | 93903-34480 | F-23 |
| 91204-GBG-850 | E-7B | 94001-06070-0S | F-2 |
| 91205-350-000 | E-6 | 94001-05070-0S | F-3 |
| 91208-KB4-670 | E-12 | 94001-08000-0S | F-10 |
| 91251-GK4-000 | F-8 | 94001-06000-0S | F-10 |
| 91251-KPH-901 | F-9 | 94001-08000-0S | F-19 |
| 91255-KWA-941 | F-7 | 94001-10000-0S | F-20 |
| 91301-KCC-770 | E-1 | 94002-10070-0S | F-3 |
| 91301-035-000 | E-7B | 94002-08000-0S | F-3 |

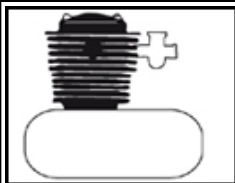
| | | | |
|---------------|------|----------------|-------|
| 91302-KEV-900 | E-1 | 94021-06000-0S | F-25 |
| 91303-719-000 | E-5 | 94030-10000 | F-17A |
| 91303-377-000 | E-7A | 94030-08000 | F-25 |
| 91303-GF6-000 | E-8 | 94050-10000 | E-7A |
| 91305-028-150 | E-2 | 94050-06000 | F-3 |

| PART NO | BLOCK | PART NO | BLOCK |
|----------------|--------------|----------------|--------------|
| 94050-06000 | F-6 | 95701-06012-00 | F-15 |
| 94050-06000 | F-8 | 95701-08016-00 | F-16 |
| 94050-06000 | F-13 | 95701-08016-07 | F-17 |
| 94050-10000 | F-20 | 95701-10045-07 | F-17 |
| 94050-06000 | F-21 | 95701-06020-00 | F-17A |
| 94050-10000 | F-22 | 95701-08016-07 | F-19 |
| 94050-06000 | F-23 | 95701-06020-00 | F-21 |
| 94050-05000 | F-23 | 95701-06014-00 | F-24 |
| 94101-06000 | F-10 | 95701-06020-07 | F-25 |
| 94101-06000 | F-11 | 95701-08020-07 | F-28 |
| 94101-06000 | F-17 | 95701-08035-00 | F-29 |
| 94101-08000 | F-17 | 95701-08016-00 | F-29 |
| 94101-08000 | F-19 | 96001-06020-00 | E-1 |
| 94101-12800 | F-20 | 96001-06014-00 | E-4 |
| 94101-06000 | F-29A | 96001-06040-00 | E-5 |
| 94101-05000 | F-29A | 96001-06080-00 | E-5 |
| 94103-06700 | F-2 | 96001-06020-00 | E-6 |
| 94103-08700 | F-16 | 96001-06070-00 | E-7A |
| 94103-08700 | F-17 | 96001-06065-00 | E-7A |
| 94103-05800 | F-18 | 96001-06016-00 | E-7A |
| 94111-10000 | F-19 | 96001-06020-00 | E-7A |
| 94111-08000 | F-25 | 96001-06028-00 | E-7A |
| 94111-08000 | F-28 | 96001-06050-00 | E-7A |
| 94201-20150 | F-10 | 96001-06060-00 | E-7A |
| 94201-16121 | F-17 | 96001-06014-00 | E-7B |
| 94201-16150 | F-17 | 96001-06032-00 | E-7C |
| 94201-20150 | F-18 | 96001-06028-00 | E-8 |
| 94201-30250 | F-18 | 96001-06075-00 | E-8 |
| 94201-20150 | F-19 | 96001-06065-00 | E-8 |

| | | | |
|----------------|-------|----------------|-------|
| 94510-16000 | E-11 | 96001-06020-00 | E-8 |
| 94591-27000 | F-21 | 96001-06012-00 | E-12 |
| 95002-02100 | E-8 | 96001-06016-07 | F-1 |
| 95002-02089 | E-13 | 96001-06012-07 | F-13 |
| 95002-02659 | E-13 | 96001-06020-00 | F-24 |
| 95002-02100 | F-13 | 96100-60010-00 | E-6 |
| 95002-02080 | F-13A | 96100-60010-H0 | E-6 |
| 95002-50000 | F-13A | 96100-60010-00 | E-10 |
| 95002-80000 | F-15 | 96100-62010-00 | E-10 |
| 95002-02130 | F-15 | 96100-62030-00 | E-10 |
| 95005-35425-50 | E-13 | 96140-63010-10 | F-9 |
| 95005-80350-20 | F-13A | 96140-63010-10 | F-11 |
| 95011-51000 | F-17A | 96150-62030-10 | F-11 |
| 95014-72302 | F-17A | 96211-08000 | F-5 |
| 95014-71702 | F-18 | 96211-08000 | F-17A |
| 95014-73100 | F-18 | 96220-30085 | E-12 |
| 95015-32001 | F-8 | 96600-06022-00 | E-1 |
| 95015-42000 | F-8 | 96700-08020-00 | F-2 |
| 95015-81000 | F-17 | 98200-31000 | F-24 |
| 95015-32001 | F-18 | 98200-31500 | F-24 |
| 95015-42000 | F-18 | 99007-45000 | F-26 |
| 95018-46320 | F-15 | 99101-AAT-000 | E-13 |
| 95701-06117-00 | E-1 | 99103-AAT-000 | E-13 |
| 95701-06022-00 | E-4 | | |
| 95701-06020-00 | E-11 | | |
| 95701-08040-00 | F-5 | | |
| 95701-06020-00 | F-6 | | |
| 95701-06032-00 | F-8 | | |
| 95701-06035-00 | F-10 | | |
| 95701-06020-00 | F-12 | | |

| | | |
|----------------|------|--|
| 95701-08030-07 | F-12 | |
| 95701-06025-07 | F-12 | |
| 95701-06012-00 | F-12 | |
| 95701-08035-08 | F-13 | |
| 95701-06020-00 | F-14 | |

BLOCK INDEX - GROUP Engine - Splendor iSMART Euro III (Apr, 2017).



E-1

CYLINDER HEAD COVER/INLET PIPE

1



E-2

CYLINDER/CYLINDER HEAD

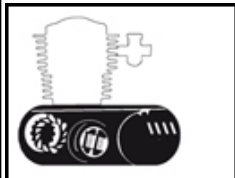
2



E-3

CAM SHAFT/VALVE

3



E-4

CAM CHAIN TENSIONER

4



E-5

RIGHT CRANKCASE COVER

5



E-6

CLUTCH

6



E-7A

LEFT CRANKCASE COVER/A.C. GEN. ASSY./SELF START

7



E-7B

STARTING CLUTCH

8



E-7C

STARTING MOTOR

9



E-8

CRANK CASE/OIL PUMP

10



E-9

CRANKSHAFT/PISTON

11



E-10

TRANSMISSION

12



E-11

KICK STARTER

13



E-12

GEARSHIFT

14



E-13

CARBURETTOR

15

BLOCK INDEX - GROUP Frame - Splendor iSMART Euro III (Apr, 2017).



F-1

HEAD LIGHT

16



F-2

SPEEDOMETER/CABLE/KEY SET

17



F-3

HANDLE LEVER/SWITCH/CONTROL CABLE

18



F-4

HANDLE PIPE/TOP BRIDGE

19



F-5

STEERING STEM

20



F-6

FRONT FENDER

21



F-7

FRONT FORK

22



F-8

FR. BRAKE PANEL

23



F-9

FRONT WHEEL

24



F-10

REAR BRAKE PANEL

25



F-11

REAR WHEEL

26



F-12

SEAT ASSY./REAR COWL/GRIP REAR

27



F-13

FUEL TANK

28



F-13A

CANISTER ASSY.

29



F-14

SIDE COVER

30



F-15

AIR CLEANER

31



F-16

MUFFLER

32



F-17

STEP ASSY./PILLION STEP.

33



F-17A

KICK STARTER/GEAR CHANGE PEDAL/SIDE STAND/

34



F-18

MAIN STAND/PEDAL BRAKE

35



F-19

REAR FORK/CHAIN CASE

36



F-20

REAR CUSHION

37

BLOCK INDEX - GROUP Frame - Splendor iSMART Euro III (Apr, 2017).



F-21

REAR FENDER

38

F-22

WINKER

39

F-23

TAIL LIGHT

40

F-24

WIRE HARNESS/BATTERY

41

F-25

FRAME BODY/UTILITY BOX

42



F-26

TOOLS

43

F-27

STRIPES/MARKS

44

F-28

GUARD ENGINE ACCESSORIES

58

F-29

STEP WOMEN

59

F-29A

NUMBER PLATE/HUGGER RR. FENDER (OPTIONAL)

60

F-30

MARK CAUTION

61