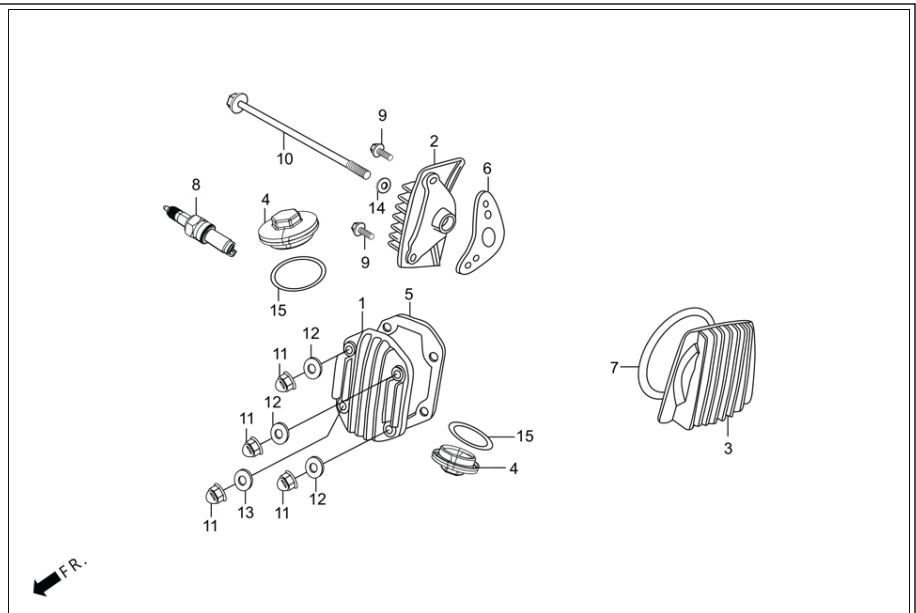


PARTS CATALOGUE

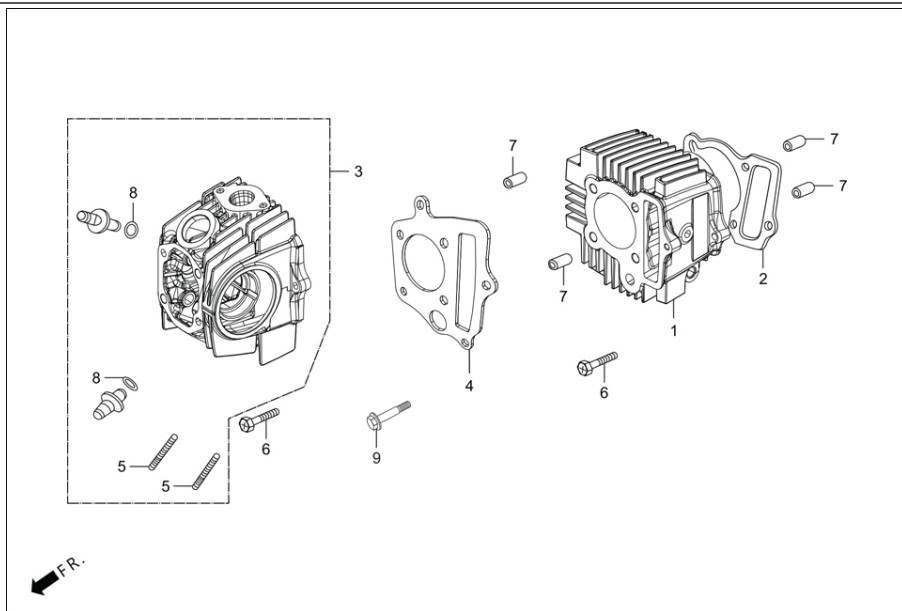
Splendor+ iBS BSVI (Feb, 2020)

E-1
CYLINDER HEAD COVER/INLET PIPE



Service Item	F.R.T.	Group Number: E-1 Model :: Splendor+ iBS BSVI (Feb, 2020)		
Ref No.	Part Number	Description	Req.	
1	12301-KWH-960	COVER,CYLINDER HEAD	1	
2	12331-KWH-960	COVER,R CYLINDER HEAD SIDE	1	
3	12341-KWH-960	COVER,L CYLINDER HEAD SIDE	1	
4	12361-035-000	CAP, TAPPET ADJUSTING HOLE	2	
5	12391-AAH-00099	GASKET CYL HEAD COVER	1	
6	12394-AAH-00099	GASKET CYL HEAD R SIDE COVER	1	
7	12395-AAH-00099	GASKET CYL HEAD L SIDE COVER	1	
8	31917-AAC-H00	SPARK PLUG	1	
9	96001-06020-00	BOLT, FLANGE, SH. 6 X 20	2	
10	95701-06110-00	BOLT, FLANGE, 6 X 110	1	
11	90201-MW3-620	NUT, HEX., 10MM	4	
	90201-GF6-000R	NUT, CAP, 7 MM	4	
12	90442-GF6-000	WASHER, SEALING, 7 MM	3	
13	90443-GF6-010	WASHER, A SEALING, 7 MM	1	
14	90461-357-000	WASHER, SEALING, 12 MM	1	
15	91302-KEV-900	O-RING, 30.8 X 3	2	

E-2 CYLINDER/CYLINDER HEAD



Service Item

F.R.T.

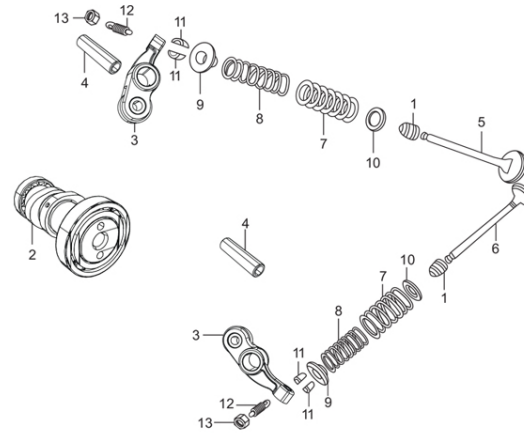
Group Number: E-2 Model :: Splendor+ iBS BSVI (Feb, 2020)

Ref No.	Part Number	Description	Req.
1	12101-AAE-300	CYLINDER	1
2	12191-AAH-F0099	GASKET CYLINDER	1
3	12200-AAE-300	HEAD COMP., CYLINDER	1
4	12251-ACK-000	GASKET, CYLINDER HEAD	1
5	90033-041-020	BOLT, STUD, 6 X 32	2
6	90081-GFP-900	BOLT, SOCKET FLANGE 6×23	2
7	90701-GF6-000	PIN, DOWEL, 8 X 14	4
8	91305-028-150	O- RING, 9 X1.6	2
9	96001-06045-00	BOLT, FLANGE, SH. 6 X 45	1

E-3

CAM SHAFT/VALVE

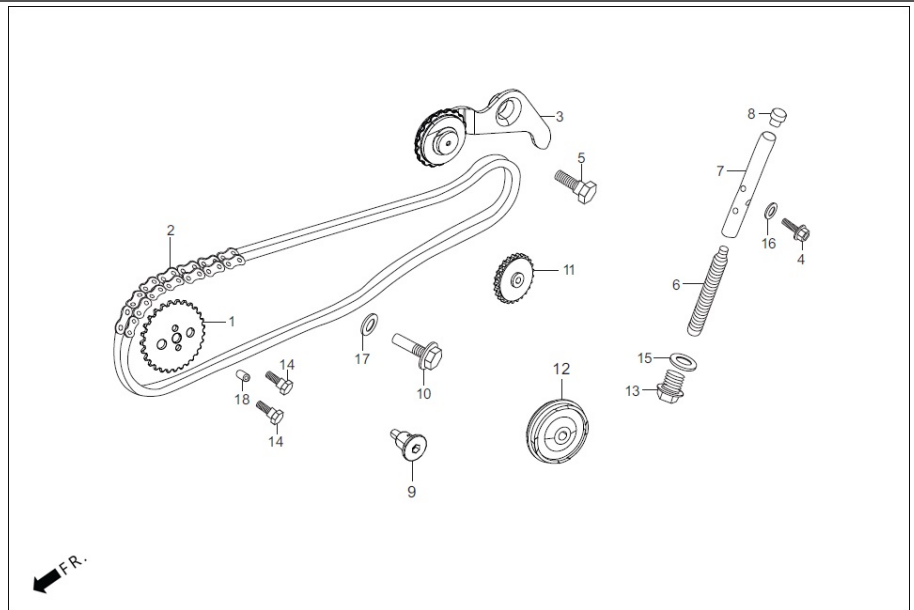
FR.



Service Item	F.R.T.	Group Number: E-3 Model :: Splendor+ iBS BSVI (Feb, 2020)			
		Ref No.	Part Number	Description	Req.
*CAM SHAFT COMP.,	0.7	1	12209-AAN-410	SEAL VALVE STEM	2
*ARM, VALVE ROCKER (ONE OR ALL)	1.1 --	2	14100-ACK-000	SHAFT COMP., CAM	1
*VALVE	1.4	3	14430-KST-940	ARM COMP., VALVE ROCKER	2
(ADD FOR EACH)	--	4	14451-KST-940	SHAFT, ROCKER ARM	2
(INC. REFACING)	--	5	14711-GN5-90099	VALVE INLET	1
(EXC. VALVE GUIDE REPLACEMENT)	--	6	14721-AAE-H10	VALVE, EXHAUST	1
*SPRING, VALVE INNER	1.2	7	14751-GBG-900	SPRING, VALVE OUTER	2
(ADD FOR EACH)	--	8	14761-GBG-900	SPRING, VALVE INNER	2
(INC. RELATIVE PART)	--	9	14771-GB4-680	RETAINER, VALVE SPRING	2
		10	14775-MA6-000	SEAT, VALVE SPRING OUTER	2
		11	14781-MA6-000	COTTER, VALVE	4
		12	90012-333-000R	SCREW, TAPPET ADJUSTING	2
		13	90206-001-000	NUT, TAPPET ADJUSTING	2

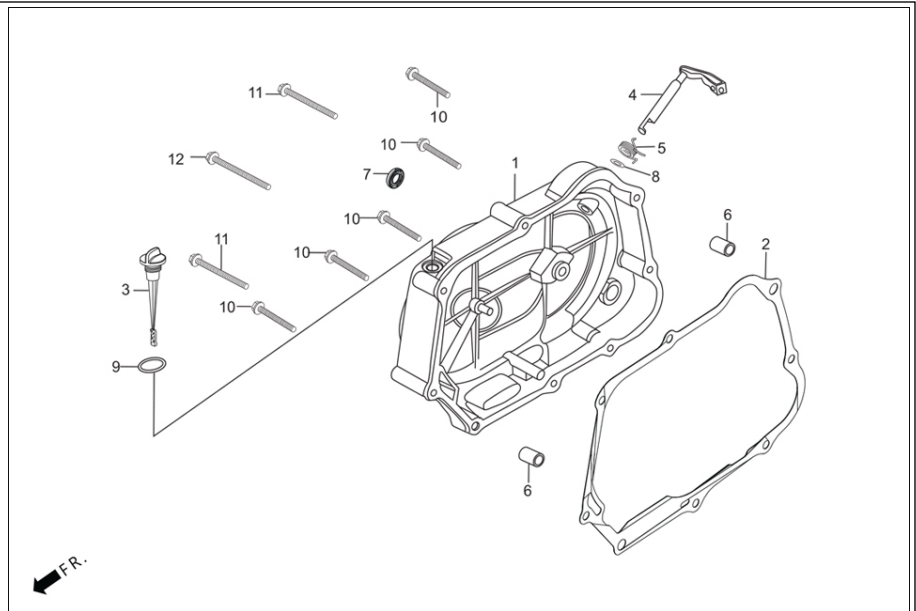
E-4

CAM CHAIN TENSIONER



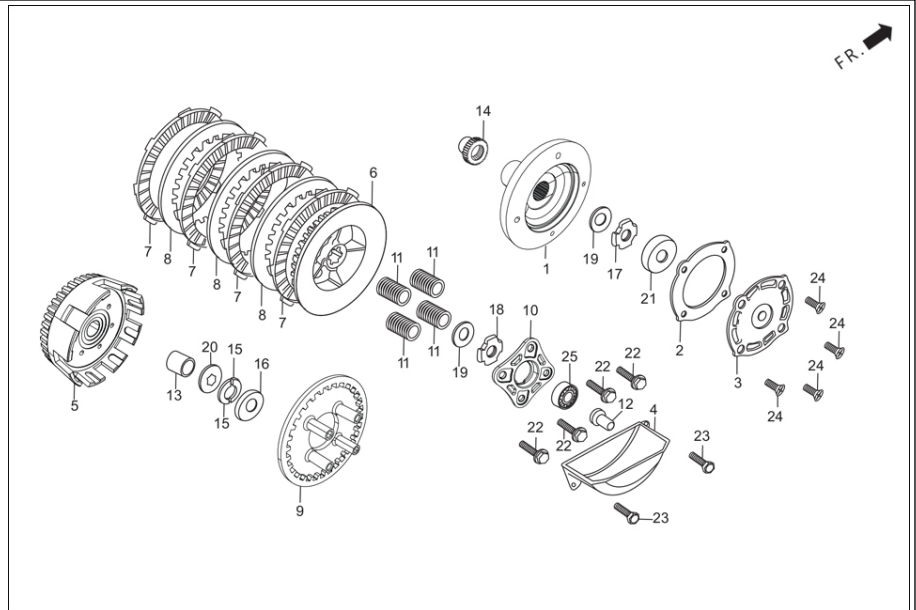
Service Item	F.R.T.	Group Number: E-4 Model :: Splendor+ iBS BSVI (Feb, 2020)			
		Ref No.	Part Number	Description	Req.
*SPROCKET, CAM(28T)	0.4	1	14321-AAD-200	SPROCKET CAM	1
*ARM COMP., CAM CHAIN TENSIONER	--	2	14401-AAD-00099	CAM CHAIN	1
*ROLLER, CAM CHAIN TENSIONER	--	3	1450A-ACK-000	ARM ASSY. CAM CHAIN TENSIONER	1
*CHAIN, CAM (84L)	1.4	4	96001-06018-00	BOLT, FLANGE, 6 X 18	1
*PUSH ROD COMP., TENSIONER	0.3	5	14531-035-000	PIVOT, CAM CHAIN TENSIONER	1
*ROLLER COMP., CAM CHAIN GUIDE	1.0	6	14541-GB4-681	SPRING, TENSIONER	1
*SPROCKET, CAM CHAIN GUIDE	1.6	7	14550-GB0-910R	PUSH ROD, COMP., TENSIONER	1
*SPINDLE, CAM CHAIN GUIDE	--	8	14566-086-030	HEAD.TENS.PUSH ROD	1
		9	90100-ACK-000	STEP BOLT M6	1
		10	14615-035-010	PIN, GUIDE ROLLER	1
		11	14670-ACK-000	SPROCKET, COMP., CAM CHAIN GUIDE	1
		12	14610-086-000R	ROLLER COMP., CAM CHAIN GUIDE	1
		13	90081-035-000	BOLT, SEALING, 14 MM	1
		14	90083-KVH-900	BOLT, KNOCK, 5 MM	2
		15	90441-035-000	WASHER, SEALING, 14 MM	1
		16	90461-357-000	WASHER, SEALING, 12 MM	1
		17	90481-035-000	WASHER, 8 MM	1
		18	90702-GB6-910	PIN, DOWEL,8 X 12	1

E-5
RIGHT CRANKCASE COVER



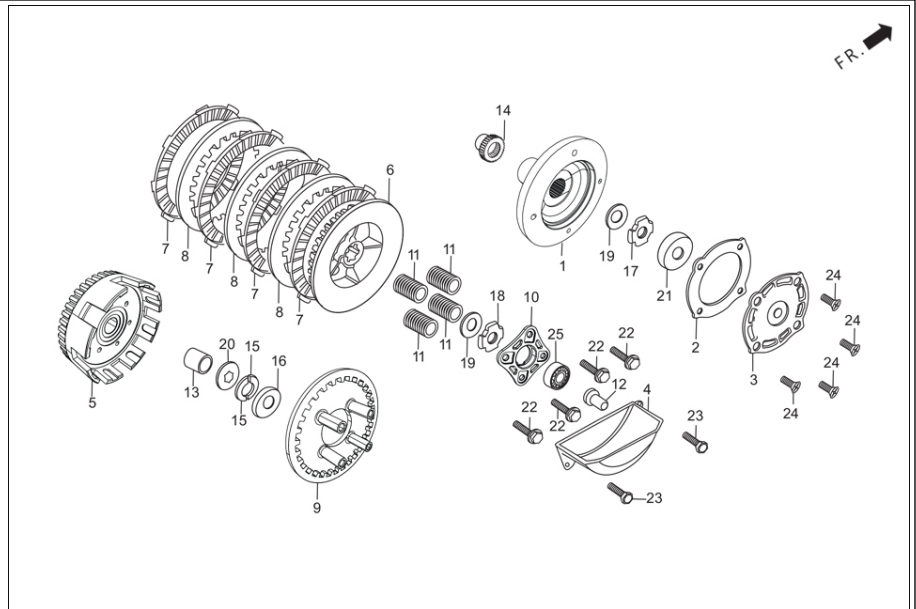
Service Item	F.R.T.	Group Number: E-5 Model :: Splendor+ iBS BSVI (Feb, 2020)			
		Ref No.	Part Number	Description	Req.
		1	11330-AAD-H00	COVER COMP.R CRANK CASE	1
		2	11394-AAJ-500	GASKET, RCRANK CASE COVER	1
		3	15650-AAC-H00	GAUGE OIL LEVEL	1
		4	22810-198-000	LEVER COMP.,CLUTCH	1
		5	22815-166-000	SPRING, CLUTCH LEVER	1
		6	90702-GB6-910	PIN, DOWEL,8 X 12	2
		7	91202-302-010	OIL SEAL, 13.8 X 24 X 5	1
		8	91303-719-000	O-RING,9 MM	1
		9	91307-035-000	O-RING,18 X 3	1
		10	96001-06040-00	BOLT, FLANGE, SH. 6 X 40	5
		11	96001-06065-00	BOLT, FLANGE, SH. 6 X 65	2
		12	96001-06080-00	BOLT, FLANGE, SH. 6 X 80	1

E-6 CLUTCH



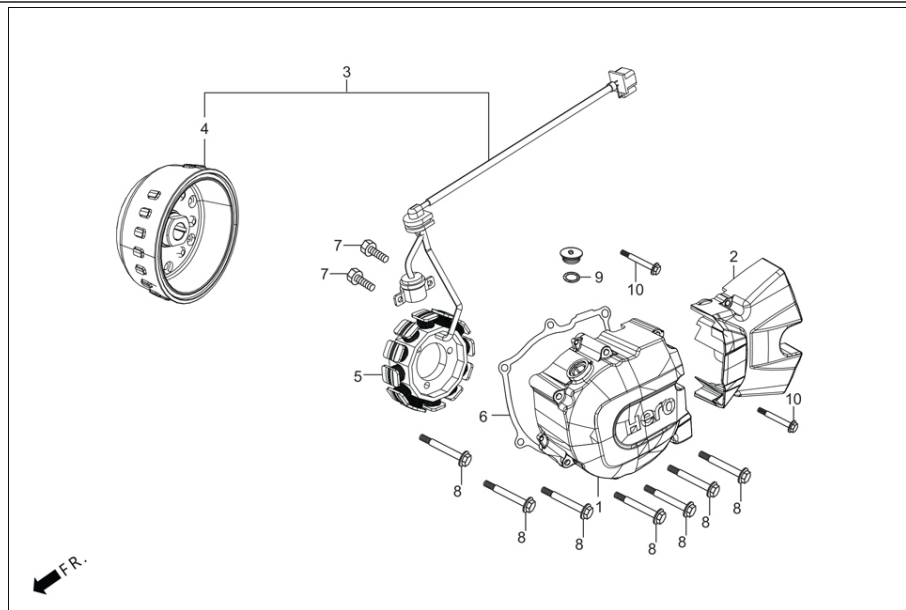
Service Item	F.R.T.	Group Number: E-6 Model :: Splendor+ iBS BSVI (Feb, 2020)			
		Ref No.	Part Number	Description	Req.
		1	15431-ACK-000	ROTOR, OIL FILTER	1
		2	15439-AAH-00099	GASKET ROTOR OIL FILTER	1
		3	15441-198-000	COVER, OIL FILTER ROTOR	1
		4	15661-198-000	PLATE, OIL SEPARATOR	1
		5	22110-AAH-H40	OUTER COMP.CLUTCH	1
		6	22121-198-900	CENTER, CLUTCH	1
		7	22201-GF6-000	DISC, CLUTCH FRICTION	4
		8	22311-107-000	PLATE, CLUTCH	3
		9	22350-115-020	PLATE, CLUTCH PRESSURE	1
		10	22361-KST-940	PLATE, CLUTCH LIFTER	1
		11	22401-GF6-000	SPRING, CLUTCH	4
		12	22847-KCC-900	ROD, CLUTCH LIFTER	1
		13	23112-AAJ-H10	COLLAR DRIVEN GEAR	1
		14	23121-KST-901	GEAR , PRIMARY DRIVE (18T)	1
		15	23216-GF6-000	COTTER, MAINSHAFT	2
		16	23217-GF6-000L	SET RING MAIN SHAFT	1
		17	90231-087-010	NUT, LOCK, 14 MM	1
		18	90231-198-000	NUT B LOCK ,14MM	1
		19	90432-086-000	WASHER `B LOCK	2
		20	90461-GF6-000	WASHER, SPLINE, 17 MM	1
		21	91205-350-000	OIL SEAL , 6 X 25 X 6	1
		22	90050-KFL-850	SPECIAL BOLT FLANGE 6 X 25	4
		23	96001-06020-00	BOLT, FLANGE, SH. 6 X 20	2
		24	93600-05012-1A	SCREW, FLAT, 5 X 12	4
		25	96100-60010-H0	BEARING BALL RADIAL 6001	1

E-6A CLUTCH



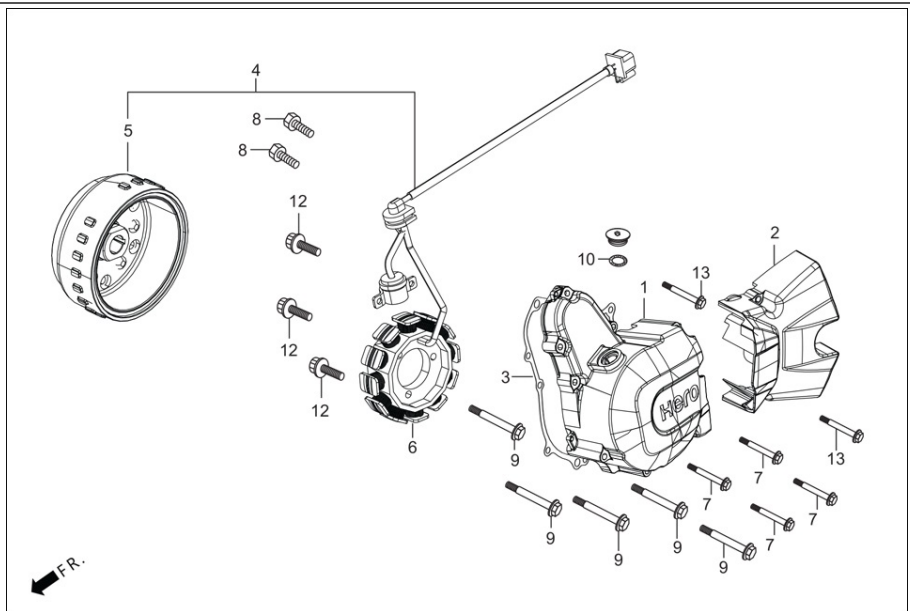
Service Item	F.R.T.	Group Number: E-6A Model :: Splendor+ iBS BSVI (Feb, 2020)		
Ref No.	Part Number	Description	Req.	
1	15431-ACK-000	ROTOR, OIL FILTER	1	
2	15439-AAH-00099	GASKET ROTOR OIL FILTER	1	
3	15441-198-000	COVER, OIL FILTER ROTOR	1	
4	15661-198-000	PLATE, OIL SEPARATOR	1	
5	22110-AAH-A01	OUTER COMP CLUTCH	1	
6	22121-AAH-A01	CENTER CLUTCH	1	
7	22201-AAH-A01	DISC CLUTCH FRICTION	4	
8	22311-AAH-A01	PLATE CLUTCH	3	
9	22350-AAH-A01	PLATE CLUTCH PRESSURE	1	
10	22361-AAH-A01	PLATE CLUTCH LIFTER	1	
11	22401-AAH-A01	SPRING CLUTCH	4	
12	22847-KCC-900	ROD, CLUTCH LIFTER	1	
13	23112-AAJ-H10	COLLAR DRIVEN GEAR	1	
14	23121-KST-901	GEAR , PRIMARY DRIVE (18T)	1	
15	23216-GF6-000	COTTER, MAINSHAFT	2	
16	23217-GF6-000L	SET RING MAIN SHAFT	1	
17	90231-087-010	NUT, LOCK, 14 MM	1	
18	90231-198-000	NUT B LOCK ,14MM	1	
19	90432-086-000	WASHER `B LOCK	2	
20	90461-GF6-000	WASHER, SPLINE, 17 MM	1	
21	91205-350-000	OIL SEAL , 6 X 25 X 6	1	
22	90050-KFL-850	SPECIAL BOLT FLANGE 6 X 25	4	
23	96001-06020-00	BOLT, FLANGE, SH. 6 X 20	2	
24	93600-05012-1A	SCREW, FLAT, 5 X 12	4	
25	96100-60010-H0	BEARING BALL RADIAL 6001	1	

E-7-KICK
LEFT CRANKCASE COVER/A.C. GEN. ASSY.
(KICK)



Service Item	F.R.T.	Group Number: E-7-KICK Model :: Splendor+ iBS BSVI (Feb, 2020)		
Ref No.	Part Number	Description	Req.	
1	11341-AAE-300	COVER, LEFT CRANK CASE (KICK)	1	
2	11360-AAE-300	COVER REAR L CRANK CASE	1	
3	31100-ACK-00099	A.C. GEN. ASSY.	1	
4	31110-ACK-001	FLYWHEEL, COMP.	1	
5	31120-ACK-011	STATOR, COMP.	1	
	31120-ACK-012	STATOR, COMP.	1	
6	11395-ACK-00099	GASKET L CRANK CASE COVER	1	
7	90083-KVH-900	BOLT, KNOCK, 5 MM	2	
8	96001-06060-00	BOLT, FLANGE, SH. 6 X 60	7	
9	91303-377-000	O-RING, 13.8 X 2.5	1	
10	96001-06028-00	BOLT, FLANGE, SH. 6X28	2	

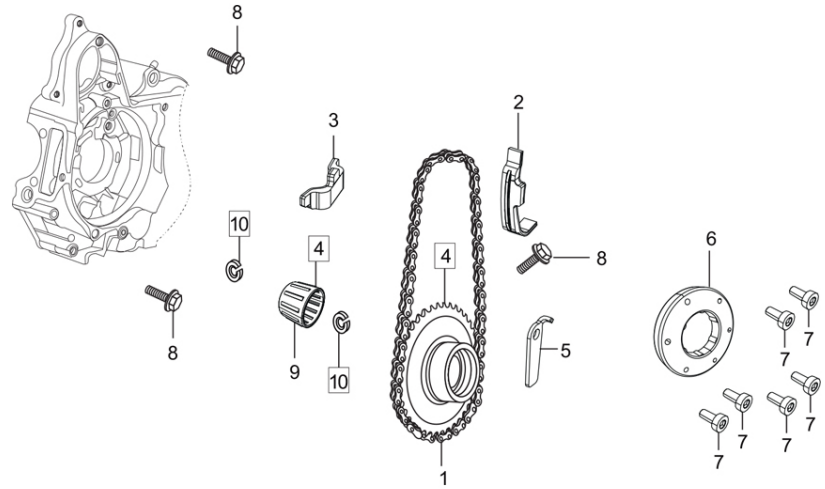
E-7A-SELF
LEFT CRANKCASE COVER/A.C. GEN. ASSY.
(SELF START)



Service Item	F.R.T.	Group Number: E-7A-SELF Model :: Splendor+ iBS BSVI (Feb, 2020)			
		Ref No.	Part Number	Description	Req.
		1	11341-AAE-340	COVER LEFT CRANK (SELF)	1
		2	11360-AAE-300	COVER REAR L CRANK CASE	1
		3	11395-ACK-01099	GASKET L CRANK CASE COVER	1
		4	31100-ACK-01099	A.C. GEN. ASSY.	1
		5	31110-ACK-011	FLYWHEEL, COMP.	1
		6	31120-ACK-011	STATOR, COMP.	1
			31120-ACK-012	STATOR, COMP.	1
		7	96001-06032-00	BOLT, FLANGE, SH., 6 X 32	4
		8	90083-KVH-900	BOLT, KNOCK, 5 MM	2
		9	96001-06060-00	BOLT, FLANGE, SH. 6 X 60	5
		10	91303-377-000	O-RING, 13.8 X 2.5	1
		12	96600-06028-10	BOLT, SOCKET, 6X28	3
		13	96001-06028-00	BOLT, FLANGE, SH. 6X28	2

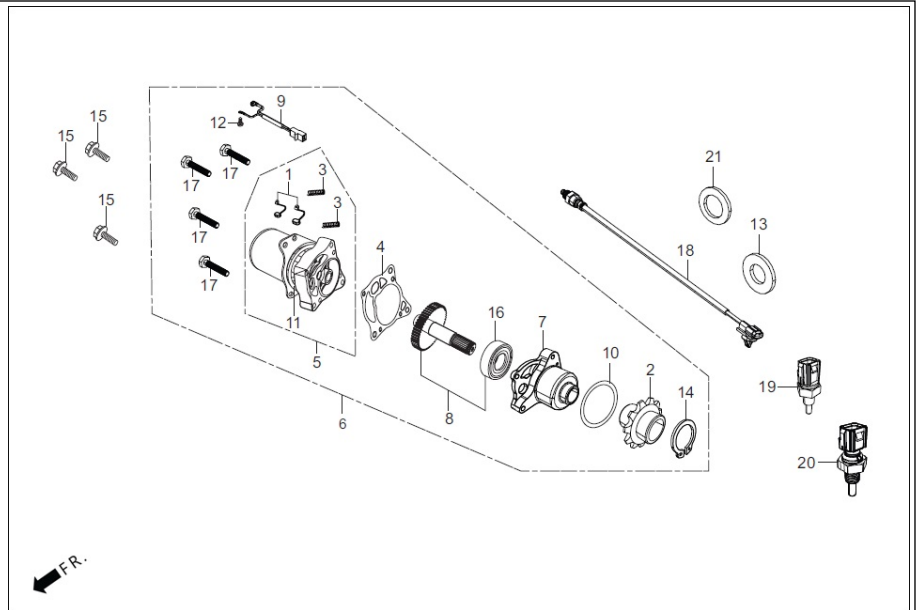
E-7B-SELF STARTING CLUTCH

FR.



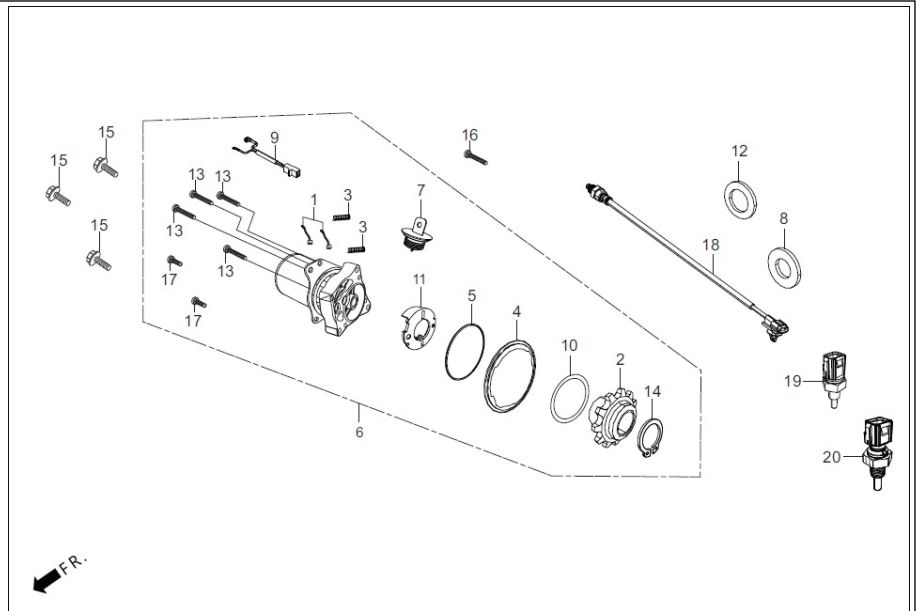
Service Item	F.R.T.	Group Number: E-7B-SELF Model :: Splendor+ iBS BSVI (Feb, 2020)			
		Ref No.	Part Number	Description	Req.
* COVER L. CRANKCASE	0.1	1	28101-KWA-940	CHAIN STARTING	1
* A.C.GEN.ASSY.,	0.5	2	28102-ACK-010	GUIDE STARTER CHAIN	1
* STATOR, COMP.,	--	3	28103-ACK-010	PROTECTOR STARTER CHAIN	1
* FLYWHEEL, COMP.,	0.3	4	28110-ACK-010	SPROCKET COMP., STARTING	1
* OIL SEAL, 18.9 X 30 X 5	--	5	28117-ACK-010	SET PLATE, STARTING SPROCKET	1
* O-RING, 107 X 2	--	6	28120-KTR-A00A	ASSY. ONEWAY CLUTCH	1
		7	90085-KTC-920	BOLT, SOCKET, 6 X 14	3
		8	96001-06010-00	BOLT FLANGE SH. 6x10	3
		9	91005-KWA-940	BRG. NEEDLE 19X23X13	1
		10	90464-GBG-900	CIRCLIP INT.23MM	2

E-7C-SELF STARTING MOTOR



Service Item	F.R.T.	Group Number: E-7C-SELF Model :: Splendor+ iBS BSVI (Feb, 2020)			
		Ref No.	Part Number	Description	Req.
* COVER L. CRANKCASE	0.1	1	31201-KWA-942	BRUSH SET	1
* A.C.GEN.ASSY.,	0.5	2	31202-KWA-941	SPROCKET	1
* STATOR, COMP.,	--	3	31204-KWA-941	SPRING BRUSH	2
* FLYWHEEL, COMP.,	0.3	4	31205-KWA-942	PACKING	1
* OIL SEAL, 18.9 X 30 X 5	--	5	31208-KWA-942	MOTOR ONLY	1
* O-RING, 107 X 2	--	6	31210-ACK-01099	MOTOR UNIT STARTER	1
		7	31211-KWA-942	GEAR CASE	1
		8	31213-KWA-941	GEAR COMP.DRIVEN	1
		9	32105-ACK-011	SUB HARNESS A	1
		10	91308-KWA-941	O RING A	1
		11	91309-KWA-941	O RING B	1
		12	93892-04006-08L	SCREW WASH 4X6	1
		13	90439-SB2-010	WASHER, 24 X 12 X 2.3	1
		14	94510-12000L	CIRCLIP, EXTERNAL, 12 MM	1
		15	96001-06045-00	BOLT, FLANGE, SH. 6 X 45	3
		16	96120-60010-10L	BEARING, BALL RADIAL	1
		17	31221-ACK-011	HEX HEAD SCREW WASH 5X30	4
		18	36532-AAE-311	OXYGEN SENSOR (NON HEATED)	1
		19	37750-AAF-401	SENSOR ASSY T-OIL	1
		20	37750-AAC-801	SENSOR ASSY T-OIL	1
		21	90443-MB0-000	WASHER SEALING, 10MM	1

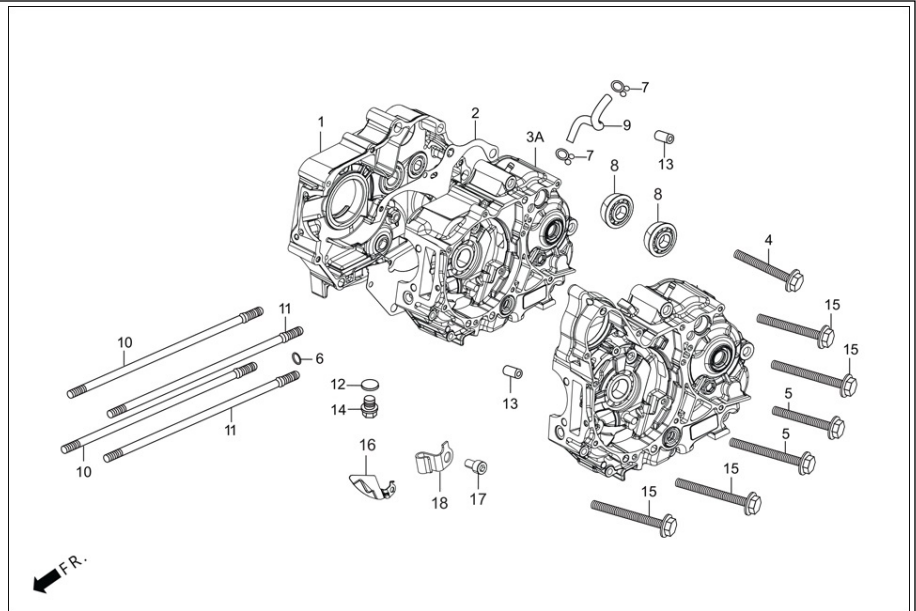
E-7D-SELF STARTING MOTOR



Service Item	F.R.T.	Group Number: E-7D-SELF Model :: Splendor+ iBS BSVI (Feb, 2020)			
		Ref No.	Part Number	Description	Req.
* COVER L. CRANKCASE	0.1	1	31201-AAT-012	CARBON BRUSH	2
* A.C.GEN.ASSY.,	0.5	2	31202-ACK-012	SPROCKET, DLX	1
* STATOR, COMP.,	--	3	31204-AAT-012	SPRING, BRUSH	2
* FLYWHEEL, COMP.,	0.3	4	31205-ACK-012	PACKING	1
* OIL SEAL, 18.9 X 30 X 5	--	5	31205-AAT-012	PACKING	1
* O-RING, 107 X 2	--	6	31210-ACK-01099	MOTOR UNIT STARTER	1
		7	31218-AAT-012	BRUSH INSULATOR	1
		8	90439-SB2-010	WASHER, 24 X 12 X 2.3	1
		9	32105-ACK-012	SUB HARNESS A	1
		10	91308-GB4-701L	O-RING A	1
		11	31206-AAT-012	BRUSH HOLDER	1
		12	90443-MB0-000	WASHER SEALING, 10MM	1
		13	93892-05030-08L	SCREW, WASH., 5X30	4
		14	94510-12000L	CIRCLIP, EXTERNAL, 12 MM	1
		15	96001-06045-00	BOLT, FLANGE, SH. 6 X 45	3
		16	93892-04008-08	SCREW WASH 4X8	1
		17	93892-AAT-000	SCREW 4X6	2
		18	36532-AAE-311	OXYGEN SENSOR (NON HEATED)	1
		19	37750-AAF-401	SENSOR ASSY T-OIL	1
		20	37750-AAC-801	SENSOR ASSY T-OIL	1

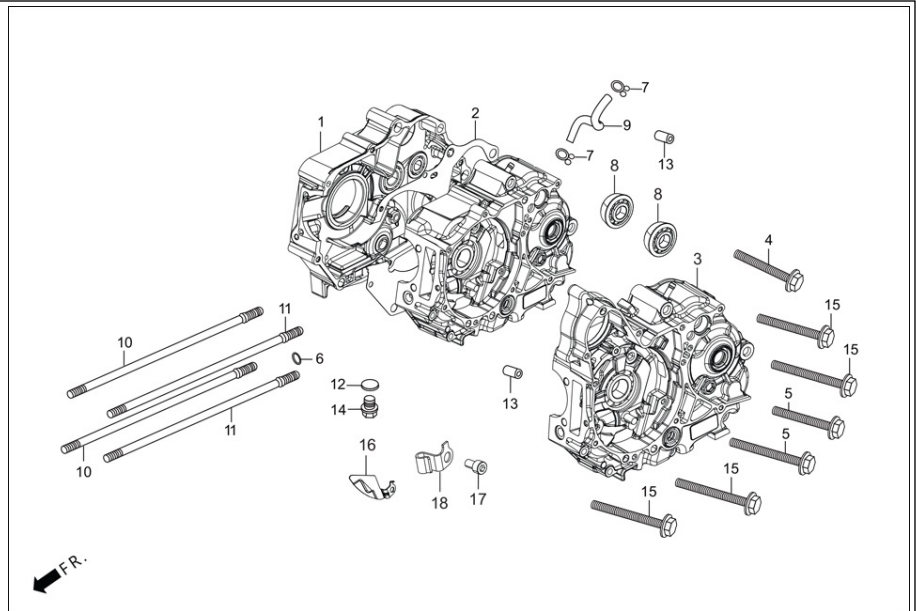
E-8-KICK

CRANK CASE/OIL PUMP



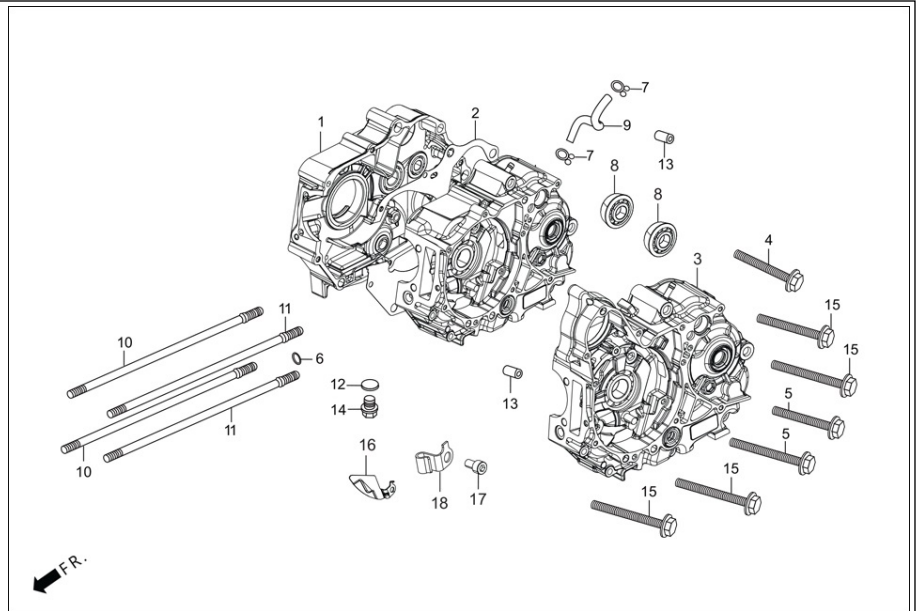
Service Item	F.R.T.	Group Number: E-8-KICK Model :: Splendor+ iBS BSVI (Feb, 2020)			
		Ref No.	Part Number	Description	Req.
		1	1110A-AAE-300	CRANK CASE ASSY. RIGHT	1
		2	11191-AAH-00099	GASKET CRANK CASE	1
		3A	1120A-AAE-300	CRANK CASE ASSY. LEFT (KICK)	1
		4	96001-06050-00	BOLT, FLANGE, SH. 6 X 50	1
		5	96001-06060-00	BOLT, FLANGE, SH. 6 X 60	2
		6	91303-GF6-000	PACKING ,RUBBER ,16MM	1
		7	95002-02100	CLIP, B-10 TUBE	2
		8	91002-AAF-400	BRG. BALL RADIAL 56X22	1
		9	17371-KWH-970	TUBE BREATHER	1
		10	90031-AAH-000	BOLT A, CYLINDER STUD, 6X198X7	2
		11	90032-AAH-000	BOLT B, CYLINDER STUD, 6X205.5X7	2
		12	90407-259-000	DRAIN COCK PACKING	1
		13	90703-HC4-000	DOWEL PIN, 10X14	2
		14	92800-12000-00	DRAIN PLUG BOLT	1
		15	96001-06065-00	BOLT, FLANGE, SH. 6 X 65	4
		16	11218-ACK-000	PLATE OIL STOPPER	1
		17	96700-06012-00	BOLT SOCKET 6X12	1
		18	11347-KTR-940	CLAMPER B, OIL TEMP. SENSOR CORD	1

E-8-SELF
CRANK CASE/OIL PUMP



Service Item	F.R.T.	Group Number: E-8-SELF Model :: Splendor+ iBS BSVI (Feb, 2020)			
		Ref No.	Part Number	Description	Req.
		1	1110A-AAE-300	CRANK CASE ASSY. RIGHT	1
		2	11191-AAH-00099	GASKET CRANK CASE	1
		3	1120A-AAE-340	CRANK CASE COMP., L(SELF)	1
		4	96001-06050-00	BOLT, FLANGE, SH. 6 X 50	1
		5	96001-06060-00	BOLT, FLANGE, SH. 6 X 60	2
		6	91303-GF6-000	PACKING ,RUBBER ,16MM	1
		7	95002-02100	CLIP, B-10 TUBE	2
		8	91002-AAF-400	BRG. BALL RADIAL 56X22	1
		9	17371-KWH-970	TUBE BREATHER	1
		10	90031-AAH-000	BOLT A, CYLINDER STUD, 6X198X7	2
		11	90032-AAH-000	BOLT B, CYLINDER STUD, 6X205.5X7	2
		12	90407-259-000	DRAIN COCK PACKING	1
		13	90703-HC4-000	DOWEL PIN, 10X14	2
		14	92800-12000-00	DRAIN PLUG BOLT	1
		15	96001-06065-00	BOLT, FLANGE, SH. 6 X 65	4
		16	11218-ACK-000	PLATE OIL STOPPER	1
		17	96700-06012-00	BOLT SOCKET 6X12	1
		18	11347-KTR-940	CLAMPER B, OIL TEMP. SENSOR CORD	1

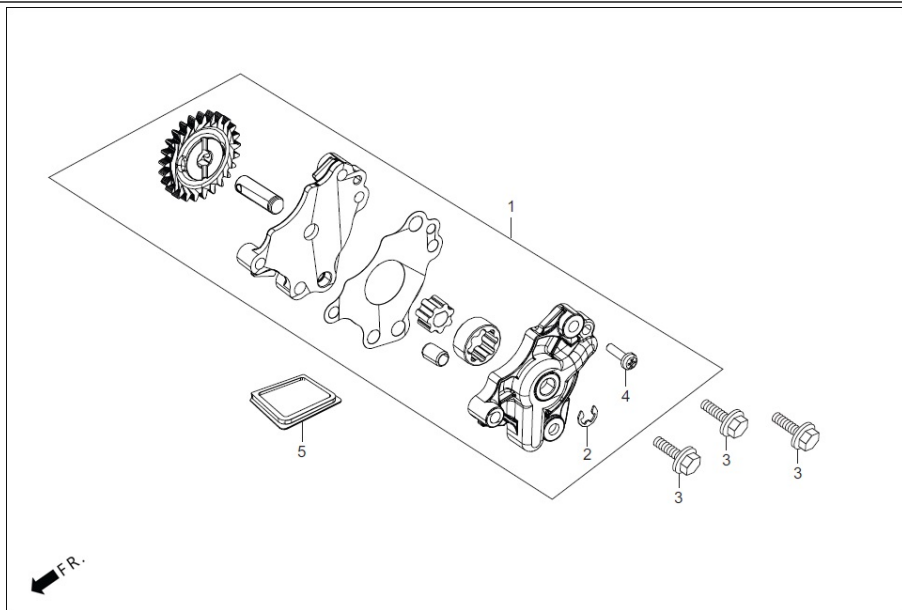
E-8-SELF-i3S
CRANK CASE/OIL PUMP



Service Item	F.R.T.	Group Number: E-8-SELF-i3S Model :: Splendor+ iBS BSVI (Feb, 2020)		
Ref No.	Part Number	Description	Req.	
1	1110A-AAE-310	CRANK CASE ASSY. RIGHT (SELF I3S)	1	
2	11191-AAH-00099	GASKET CRANK CASE	1	
3	1120A-AAE-340	CRANK CASE COMP., L(SELF)	1	
4	96001-06050-00	BOLT, FLANGE, SH. 6 X 50	1	
5	96001-06060-00	BOLT, FLANGE, SH. 6 X 60	2	
6	91303-GF6-000	PACKING ,RUBBER ,16MM	1	
7	95002-02100	CLIP, B-10 TUBE	2	
8	91002-AAF-400	BRG. BALL RADIAL 56X22	1	
9	17371-KWH-970	TUBE BREATHER	1	
10	90031-AAH-000	BOLT A, CYLINDER STUD, 6X198X7	2	
11	90032-AAH-000	BOLT B, CYLINDER STUD, 6X205.5X7	2	
12	90407-259-000	DRAIN COCK PACKING	1	
13	90703-HC4-000	DOWEL PIN, 10X14	2	
14	92800-12000-00	DRAIN PLUG BOLT	1	
15	96001-06065-00	BOLT, FLANGE, SH. 6 X 65	4	
16	11218-ACK-000	PLATE OIL STOPPER	1	
17	96700-06012-00	BOLT SOCKET 6X12	1	
18	11347-KTR-940	CLAMPER B, OIL TEMP. SENSOR CORD	1	

E-8A

OIL PUMP ASSY.



Service Item	F.R.T.
* CRANK CASE COMP., 'R'	*4.0
* GASKET, CRANK CASE	*3.6
* CRANK CASE COMP., 'L'	*4.4
* SCREEN, OIL FILTER	0.6
* BOLT, CYLINDER STUD	1.1
(ADD FOR EACH)	--
* PUMP ASSY., OIL	--
(INC. RELATIVE PART)	--

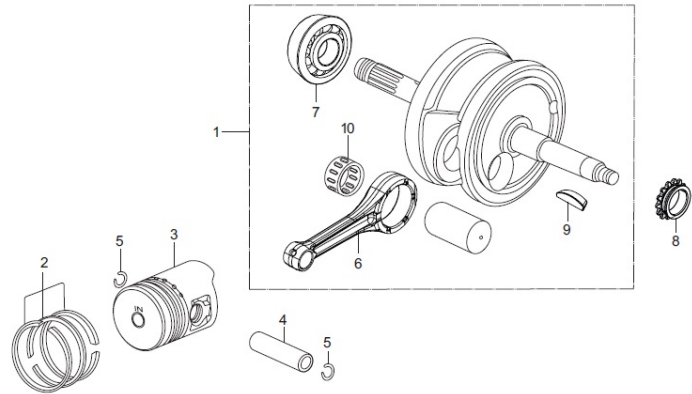
Group Number: E-8A Model :: Splendor+ iBS BSVI (Feb, 2020)

Ref No.	Part Number	Description	Req.
1	15100-ACK-001	PUMP ASSY., OIL	1
2	94540-06018	E-RING, 6 MM	1
3	96001-06040-00	BOLT, FLANGE, SH. 6 X 40	3
4	93500-05016-0A	SCREW, PAN, 5 X 16	1
5	15421-035-010	SCREEN, OIL FILTER	1

E-9

CRANKSHAFT/PISTON

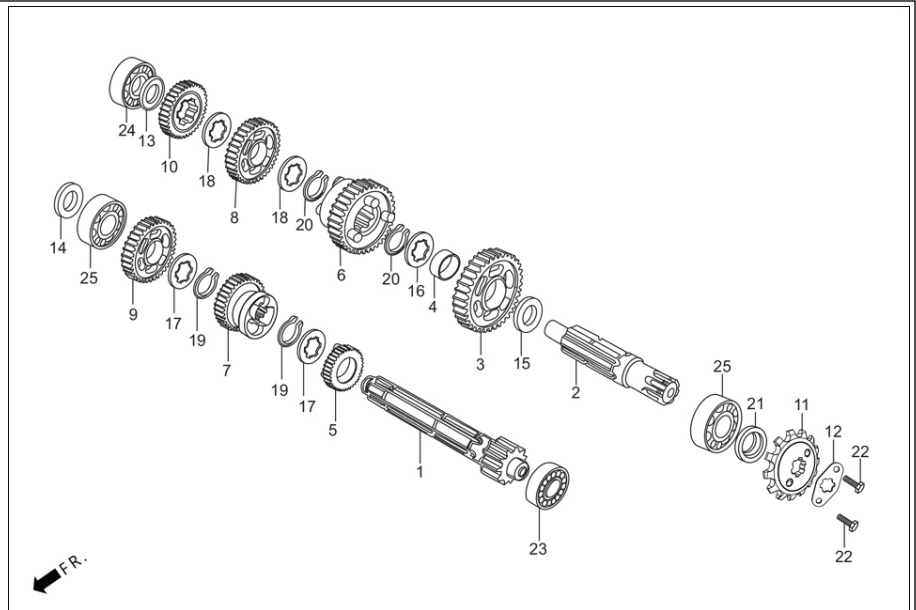
FR.



Service Item	F.R.T.	Group Number: E-9 Model :: Splendor+ iBS BSVI (Feb, 2020)			
		Ref No.	Part Number	Description	Req.
*CRANK SHAFT COMP.,	4.0	1	13000-ACK-000	CRANK SHAFT COMP.,	1
*RING SET, PISTON	1.3	2	13011-AAF-00099	RING SET PISTON	1
*PISTON	--	3	13101-AAF-00099	PISTON	1
*PIN, PISTON	1.2	4	13111-087-000	PIN, PISTON	1
*ROD, CONNECTING (ACTUAL TIME) (INC. RELATIVE PART)	ME) --	5	13115-001-000	CLIP, PISTON PIN	2
*BEARING, RADIAL BALL, 6304 (ADD FOR EACH)	4.2 --	6	13201-ACK-000	ROD, CONNECTING	1
		7	91001-GF6-000	BEARING, RADIAL BALL, 6304	1
		8	14311-ACK-000	SPROCKET, TIMING (14T)	1
		9	90741-KFB-000	KEY,WOODRUFF,4 MM	1
		10	91101-ABG-000	BRG, CONNECTING ROD (RED)	1
			91102-ABG-000	BRG, CONNECTING ROD (BLUE).	1
			91103-ABG-000	BRG, CONNECTING ROD (WHITE)	1

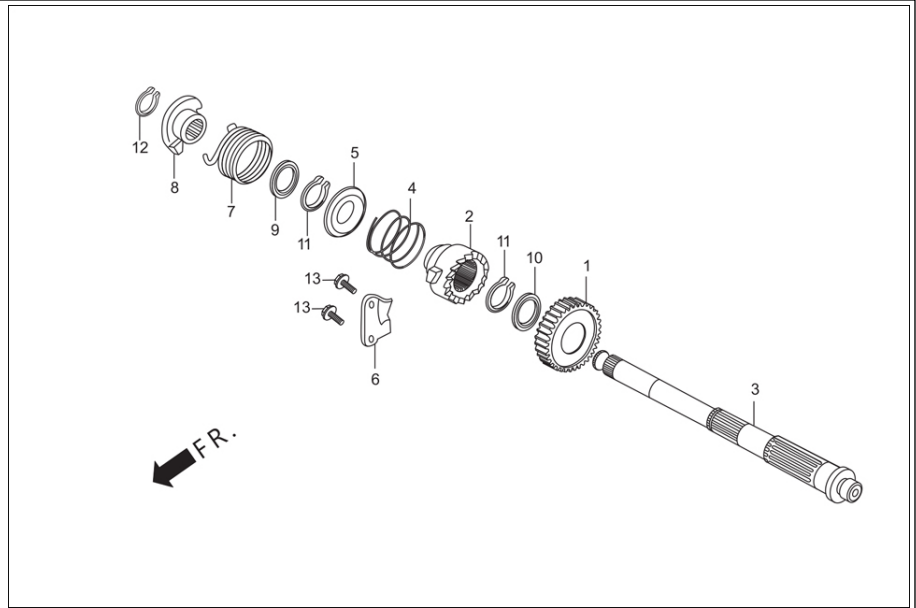
E-10

TRANSMISSION



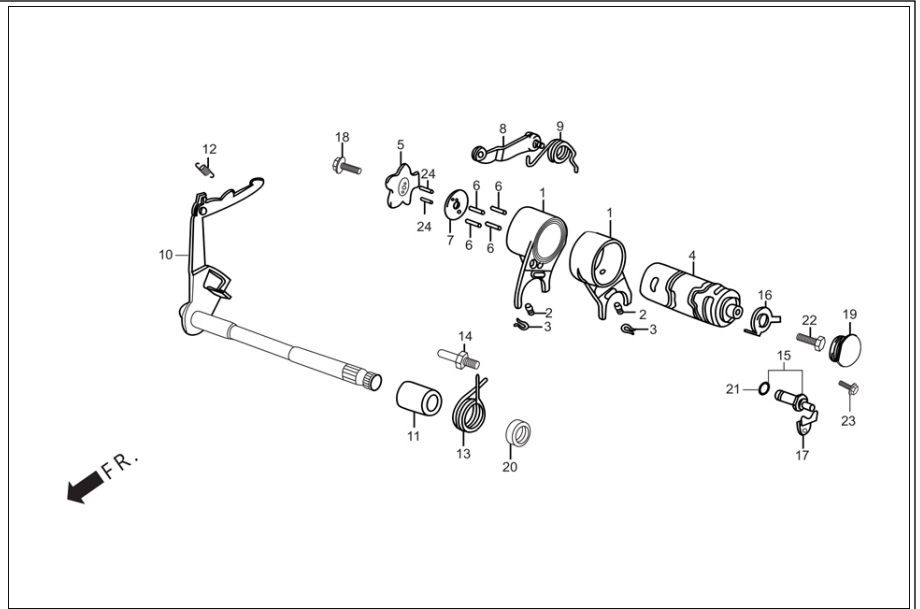
Service Item	F.R.T.	Group Number: E-10 Model :: Splendor+ iBS BSVI (Feb, 2020)		
Ref No.	Part Number	Description	Req.	
1	23211-GF6-000	MAIN SHAFT (11T)	1	
2	23221-GF6-000	COUNTER SHAFT	1	
3	23421-GB4-770	GEAR, COUNTER SHAFT LOW (35T)	1	
4	23422-GB4-770	BUSH, 20 X 9	1	
5	23431-GN5-910	GEAR, MAIN SHAFT SECOND (17T)	1	
6	23441-GB4-770	GEAR, COUNTER SHAFT SECOND (29T)	1	
7	23451-GK4-761	GEAR, M3 21T	1	
8	23461-GK4-760	GEAR, COUNTER SHAFT THIRD (26T)	1	
9	23471-GN5-910	GEAR, MAIN SHAFT FOURTH (24T)	1	
10	23481-HF7-000	GEAR, COUNTER SHAFT FOURTH (23T)	1	
11	23801-AAD-305	SPROCKET, DRIVE (14T)	1	
	23801-178-000	SPROCKET, DRIVE, (14T)	1	
12	23802-040-000	PLATE, DRIVE SPROCKET FIXING	1	
13	90451-GF6-000	WASHER THRUST 12MM	1	
14	90451-198-000	WASHER, THRUST, 17 MM	1	
15	90452-GB4-770	WASHER, THRUST, 17MM	1	
16	90461-GB4-770	WASHER, SPLINE, 20 X 1.2	1	
17	90461-035-000	WASHER, SPLINE, 17 MM	2	
18	90461-459-000	WASHER, SPLINE, 20 MM	2	
19	90601-AAB-A00	CIRCLIP 17 MM	2	
20	90601-459-000	CIRCLIP, 20 MM	2	
21	91203-GB5-760	OIL SEAL, 17 X 29 X 5	1	
22	92000-06008-0A	BOLT, HEX., 6 X 8	2	
23	96100-60010-00	BEARING , RADIAL BALL , 6001	1	
24	96100-62010-00	BEARING, RADIAL BALL, 6201	1	
25	96100-62030-00	BEARING, RADIAL BALL, 6203	2	

E-11
KICK STARTER



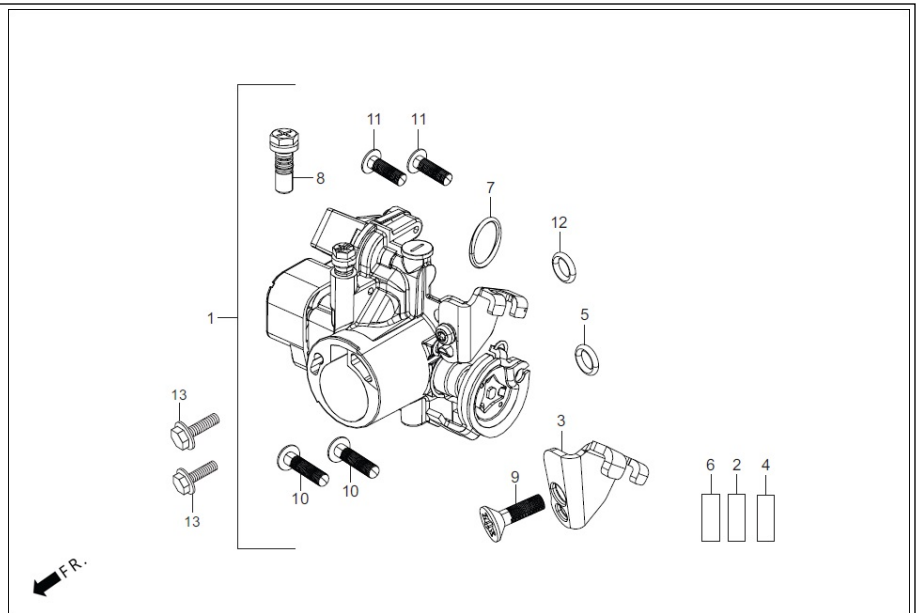
Service Item	F.R.T.	Group Number: E-11 Model :: Splendor+ iBS BSVI (Feb, 2020)			
		Ref No.	Part Number	Description	Req.
*MAIN SHAFT (INC. RELATIVE PART)	*3.8 --	1	28211-AAF-000	PINION KICK STARTER	1
*COUNTER SHAFT (INC. RELATIVE PART)	--	2	28221-198-010	RATCHET,KICK STARTER	1
(WHEN SERVICING COMP., UNIT)	--	3	28251-GF6-000	SPINDLE, KICK STARTER	1
F.R.T. IS 4.0	--	4	28253-397-000	SPRING, KICK STARTER RATCHET	1
*SPROCKET, DRIVE	0.2	5	28254-198-000	RETAINER, RATCHET SPRING	1
		6	28256-198-000	PLATE ,RATCHET GUIDE	1
		7	28261-198-000	SPRING, KICK STARTER	1
		8	28262-198-000	RETAINER, KICK SPRING	1
		9	90452-115-000	WASHER ,17MM	1
		10	90454-107-000	WASHER ,THRUST, 20MM	1
		11	90601-459-000	CIRCLIP, 20 MM	2
		12	94510-16000	CIRCLIP, EXTERNAL, 16 MM	1
		13	95701-06020-00	BOLT, FLANGE, 6X20	2

E-12
GEAR SHIFT



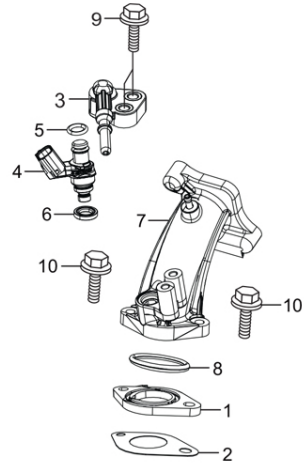
Service Item	F.R.T.	Group Number: E-12 Model :: Splendor+ iBS BSVI (Feb, 2020)			
		Ref No.	Part Number	Description	Req.
*FORK GEAR SHIFT (ONE OR ALL)	3.8 --	1	24211-GF6-000R	FORK, GEARSHIFT	2
*DRUM, GEAR SHIFT	--	2	24261-121-742	PIN, GEARSHIFT FORK GUIDE	2
*PLATE, SHIFT DRUM STOPPER.	--	3	24263-028-000	CLIP, GEARSHIFT FORK GUIDE PIN	2
*ARM COMP., SHIFT DRUM STOPPER (INC. RELATIVE PART)	-- --	4 5	24301-KWA-930 24411-198-900	DRUM GEAR SHIFT PLATE, SHIFT DRUM STOPPER	1 1
*SPINDLE COMP., GEAR SHIFT (INC. RELATIVE PART)	1.2 --	6 7	24421-200-000 24425-198-900	PIN, GEAR SHIFT DRUM PLATE, SHIFT DRUM SIDE	4 1
*CONTACT ASSY., NEUTRAL SWITCH	-- 0.2	8 9	24430-KST-900 24435-GB4-770	ARM COMP., SHIFT DRUM STOPPER SPRING SHIFTRUM STPR.	1 1
		10	24610-KST-940	SPINDLE COMP., GEAR SHIFT	1
		11	24639-035-000L	COLLAR 12.2 MM	1
		12	24641-041-000	SPRING ,GEAR SHIFT ARM	1
		13	24651-035-000L	SPRING GEARSHIFT REU	1
		14	24652-035-000	PIN, SHIFT RETURN SPRING	1
		15	35750-001-000	CONTACT ASSY., NEUTRAL SWITCH	1
		16	35753-035-010	ROTOR, NEUTRAL SWITCH	1
		17	35755-001-000	PLATE, CONTACT FIXING	1
		18	90071-171-010	BOLT, KNOCK, 6 MM	1
		19	90801-035-000	PLUG, RUBBER, 19MM	1
		20	91208-KB4-670	OIL SEAL, 11.6 X 24 X 10	1
		21	91312-107-000	O -RING, 7 X 1.7	1
		22	90022-GFP-900	BOLT WASHER 6x16	1
		23	96001-06012-00	BOLT,FLANGE,SH.,6 X 12	1
		24	96220-30085	ROLLER, 3 X 8.5	2

E-13
THROTTLE BODY ASSY.



Service Item	F.R.T.	Group Number: E-13 Model :: Splendor+ iBS BSVI (Feb, 2020)			
		Ref No.	Part Number	Description	Req.
*NEEDLE SET, JET	0.5	1	16400-AAE-300	THROTTLE BODY ASSY	1
*CARBURETTOR ASSY	--	2	16400-AAE-3000-17	SOLENOID KIT	1
*FLOAT SET.	0.4	3	16400-AAE-3000-11	STAY THROTTLE WIRE	1
*VALVE COMP., FLOAT JET, MAIN	--	4	16400-AAL-9000-16	SENSOR KIT	1
*TOP SET	0.2	5	16400-AAL-9000-18	O-RING,THROTTLE BODY	1
*CHAMBER SET, FLOAT	--	6	16400-AAL-9000-17	SOLENOID KIT	1
*VALVE SET, THROTTLE	0.3	7	16400-AAL-9000-15	O-RING,20.4X1.9	1
		8	16400-AAL-9000-19	ADJUST SCREW KIT	1
		9	16400-AAL-9000-10	SCREW-TORX,5X12	1
		10	16400-AAL-9000-13	SCREW-WASH,4X16	2
		11	16400-AAL-9000-14	SCREW-WASH,4X10	2
		12	16400-AAL-9000-12	O-RING,THROTTLE BODY	1
		13	96001-06018-00	BOLT, FLANGE, 6 X 18	2

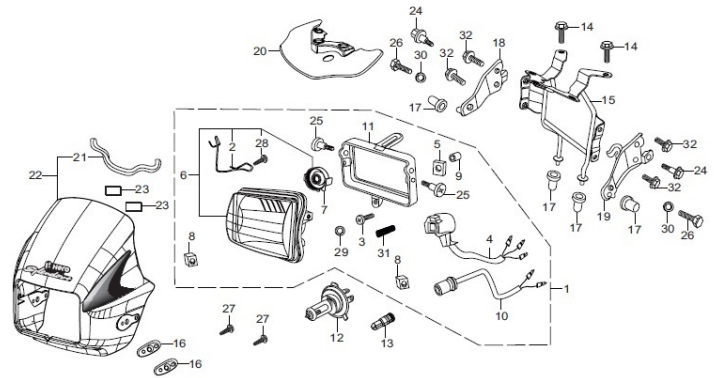
E-13A
THROTTLE BODY ASSY.



FR.

Service Item	F.R.T.	Group Number: E-13A Model :: Splendor+ iBS BSVI (Feb, 2020)		
Ref No.	Part Number	Description	Req.	
1	16210-ACK-000	INSULATOR	1	
2	16229-ACK-00099	GASKET, CARB. INSULATOR	1	
3	16424-AAE-300	INJECTOR CAP	1	
4	16450-AAL-901	INJECTOR ASSY FUEL	1	
5	16452-AAL-901	O-RING	1	
6	16453-AAL-901	RING, SEAL	1	
7	17110-AAE-300	PIPE, COMP. INLET	1	
8	91301-KCC-770	O-RING, 27 X 2 (COLOUR GREEN)	1	
9	95701-06022-00	BOLT, FLANGE, SH. 6 X 22	2	
10	96001-06022-00	BOLT, FLANGE, SH. 6 X 22	2	

F-1
HEADLIGHT / FR. VISOR



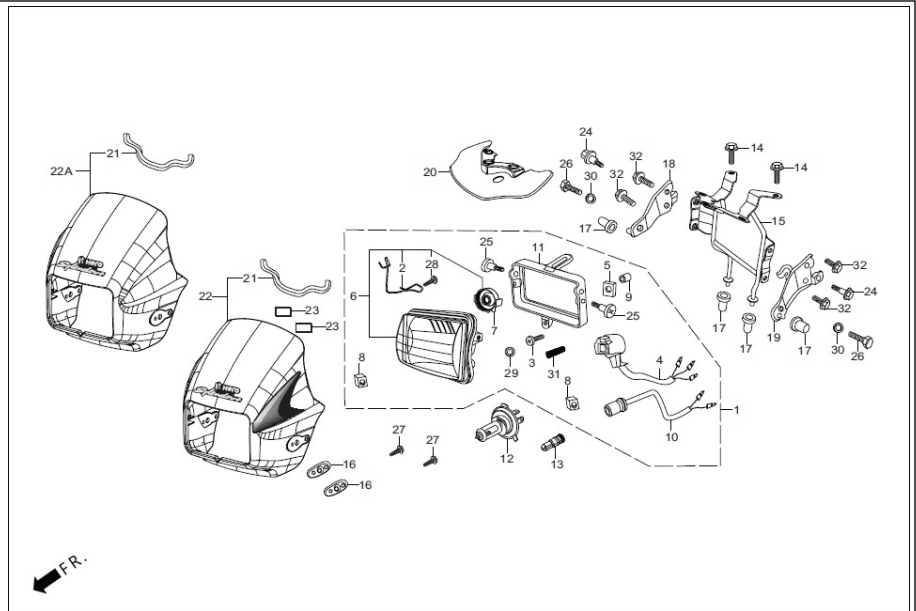
FR.

Service Item	F.R.T.	Group Number: F-1 Model :: Splendor+ iBS BSVI (Feb, 2020)			
		Ref No.	Part Number	Description	Req.
		1	33100-KCC-710A	LIGHT ASSY HEAD(W/O BULB)	1
		2	33100-S2K-003	SPRING ,BULB HOLDER	1
		3	93500-04040-0H	SCREW, PAN, 4 X 40	1
		4	33110-KCC-830	SOCKET ASSY., HEAD LIGHT	1
		5	33117-KB7-910	NUT, BEAM ADJUSTER	1
		6	33120-AAD-H00	UNIT, HEAD LIGHT	1
		7	33112-KWH-960	RUBBER COVER	1
		8	33128-KCC-910	NUT,UNIT HOLDER	2
		9	33136-426-830	COVER, SCREW, 4MM	1
		10	33150-KCC-830	SOCKET ASSY., POSITION LIGHT	1
		11	33153-AAE-101	RING COMP., MOUNTING	1
		12	34901-KSP-910	BULB, HEAD LIGHT	1
		13	34920-AAG-300	BULB WEDGE BASE (T10 12V 3W)	1
		14	96001-06016-07	BOLT, FLANGE, SH. 6 X 16	2
		15	61311-KCC-840	STAY, HEADLIGHT BRACKET	1
		16	61312-KCC-900	PLATE, WINKER SET	2
		17	61312-149-300	BOOT, HEADLIGHT BRACKET	4
		18	61313-KCC-900	STAY R HEAD LIGHT	1
		19	61314-KCC-900	STAY L HEADLIGHT	1
		20	83402-KCC-900	PANEL , INNER	1
		21	83403-KCC-830	CUSHION,SEAL VISOR FR.	1
		22	83410-AAE-300R	SET, FR. VISOR (BLACK NH-1) TYPE-1	1
			83410-AAE-300S	SET, FR. VISOR (BLACK NH-1) TYPE-2	1
			83410-AAE-300T	SET, FR. VISOR (BLACK NH-1) TYPE-3	1
			83410-AAE-300U	SET, FR. VISOR (EBONY GRAY ME.)	1
		23	83407-KCC-902	CUSHION, FR. VISOR	2
		24	90112-SB4-000	BOLT, FLANGE, 6 X 14	2
		25	90150-GNS-911	SCREW ,SPECIAL, 5 X 10	2

26	92000-08012-0A	BOLT, HEX. ,8 X 12	2
27	93500-05010-1A	SCREW, PAN, 5X10	2
28	93901-34210	SCREW,TAPPING, 4 X 10	1
29	94101-04800	WASHER ,PLAIN ,4MM	1
30	94101-08000	WASHER, PLAIN, 8MM	2
31	33107-300-000	SPRING, BEAM ADJUSTER	1
32	95701-06012-00	BOLT, FLANGE, 6X12	4

F-1-SELF-i3S

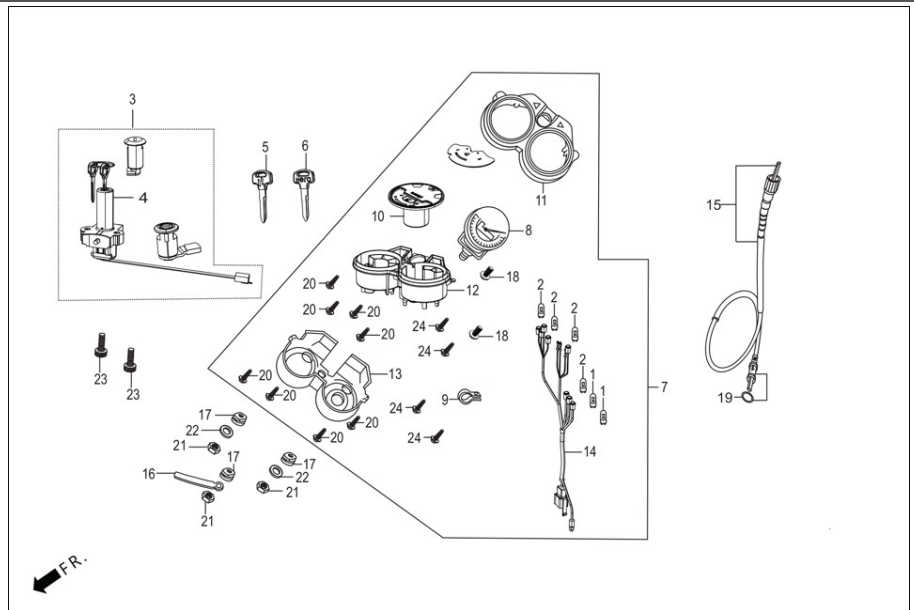
HEADLIGHT / FR. VISOR



Service Item	F.R.T.	Group Number: F-1-SELF-i3S Model :: Splendor+ iBS BSVI (Feb, 2020)		
Ref No.	Part Number	Description	Req.	
1	33100-KCC-710A	LIGHT ASSY HEAD(W/O BULB)	1	
2	33100-S2K-003	SPRING ,BULB HOLDER	1	
3	93500-04040-0H	SCREW, PAN, 4 X 40	1	
4	33110-KCC-830	SOCKET ASSY., HEAD LIGHT	1	
5	33117-KB7-910	NUT, BEAM ADJUSTER	1	
6	33120-AAD-H00	UNIT, HEAD LIGHT	1	
7	33112-KWH-960	RUBBER COVER	1	
8	33128-KCC-910	NUT,UNIT HOLDER	2	
9	33136-426-830	COVER, SCREW, 4MM	1	
10	33150-KCC-830	SOCKET ASSY., POSITION LIGHT	1	
11	33153-AAE-101	RING COMP., MOUNTING	1	
12	34901-KSP-910	BULB, HEAD LIGHT	1	
13	34920-AAG-300	BULB WEDGE BASE (T10 12V 3W)	1	
14	96001-06016-07	BOLT, FLANGE, SH. 6 X 16	2	
15	61311-KCC-840	STAY, HEADLIGHT BRACKET	1	
16	61312-KCC-900	PLATE, WINKER SET	2	
17	61312-149-300	BOOT, HEADLIGHT BRACKET	4	
18	61313-KCC-900	STAY R HEAD LIGHT	1	
19	61314-KCC-900	STAY L HEADLIGHT	1	
20	83402-KCC-900	PANEL , INNER	1	
21	83403-KCC-830	CUSHION,SEAL VISOR FR.	1	
22	83410-AAE-300R	SET, FR. VISOR (BLACK NH-1) TYPE-1	1	
	83410-AAE-300S	SET, FR. VISOR (BLACK NH-1) TYPE-2	1	
	83410-AAE-300T	SET, FR. VISOR (BLACK NH-1) TYPE-3	1	
	83410-AAE-300U	SET, FR. VISOR (EBONY GRAY ME.)	1	
22A	83410-AAE-3054	SET, FR. VISOR (BLACK NH-1) TYPE-4	1	
23	83407-KCC-902	CUSHION, FR. VISOR	2	
24	90112-SB4-000	BOLT, FLANGE, 6 X 14	2	

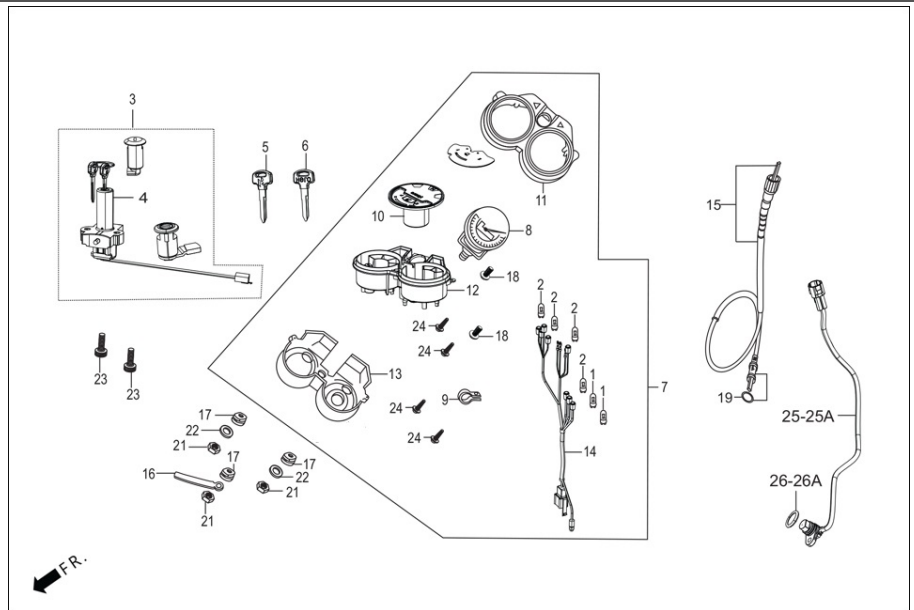
25	90150-GNS-911	SCREW ,SPECIAL, 5 X 10	2
26	92000-08012-0A	BOLT, HEX. ,8 X 12	2
27	93500-05010-1A	SCREW, PAN, 5X10	2
28	93901-34210	SCREW,TAPPING, 4 X 10	1
29	94101-04800	WASHER ,PLAIN ,4MM	1
30	94101-08000	WASHER, PLAIN, 8MM	2
31	33107-300-000	SPRING, BEAM ADJUSTER	1
32	95701-06012-00	BOLT, FLANGE, 6X12	4

F-2
SPEEDOMETER/CABLE/KEY SET



Service Item	F.R.T.	Group Number: F-2 Model :: Splendor+ iBS BSVI (Feb, 2020)		
Ref No.	Part Number	Description	Req.	
1	34913-ACK-02099	LED BULB RED WEDGE BASE	1	
	34914-ACK-02099	LED BULB WARM WHITE WEDGE BASE	1	
2	34910-KWA-930	BULB WEDGE BASE (T10 12V, 1.7W)	2	
	34920-AAG-300	BULB WEDGE BASE (T10 12V 3W)	2	
3	35010-AAE-301	KEY SET	1	
4	35100-AAE-301	SWITCH ASSY., COMB.& LOCK	1	
5	35121-AAE-H00	KEY BLANK NO 1	1	
6	35122-AAE-H00	KEY BLANK NO 2	1	
7	37100-AAE-30099	METER ASSY., COMP. (KICK, SELF)	1	
8	37210-AAE-30099	SPEEDOMETER COMP., (KICK, SELF)	1	
9	37215-MB6-830	CLAMP	1	
10	37300-AAE-102	FUEL METER COMP	1	
11	37610-KCC-900	CASE UPPER ASSY.	1	
12	37612-AAH-811	CASE UNDER ASSY (PRICOL)	1	
	37612-AAH-A12	CASE UNDER ASSY	1	
13	37614-KCC-900	COVER, UNDER CASE	1	
14	37619-AAE-30099	SOCKET COMP. (KICK OR SELF)	1	
15	44830-AAD-000	CABLE COMP SPDMT.	1	
16	61317-KCC-900	GUIDE `A	1	
17	80101-443-000	RUBBER, RR. FENDER CUSHION	3	
18	90035-KST-900	SCREW,WASH,4 X 8	2	
19	91352-GAZ-930	O-RING 8.5X11.5	1	
20	93913-24320	SCREW TAPPING, 4 X 14	8	
21	94001-06070-0S	NUT, HEX., 6 MM	3	
22	94103-06700	WASHER, PLAIN, 6 MM	2	
23	96700-08020-00	BOLT SOCKET, 8 MM	2	
24	90108-KWH-961	SCREW, WASH, 3X22	3	

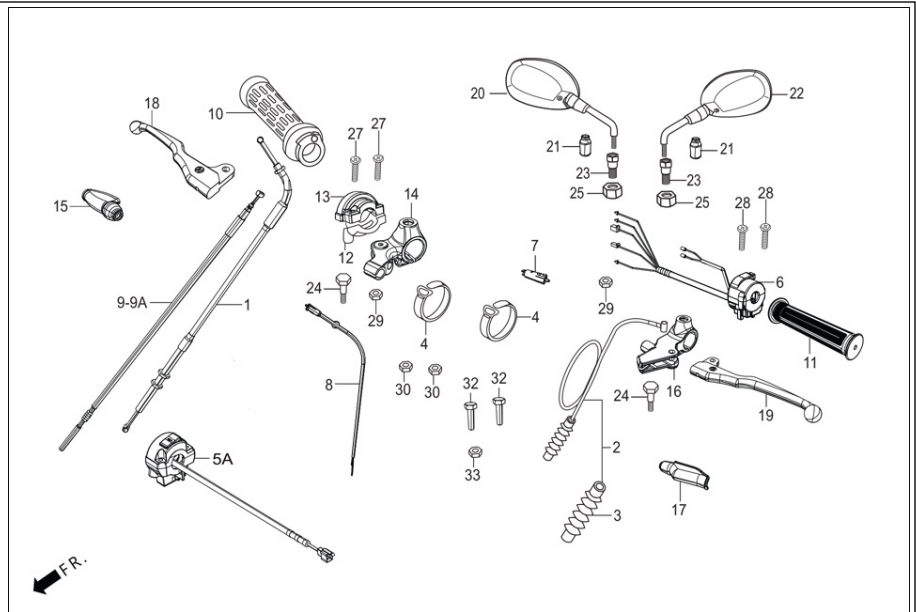
F-2-SELF-i3S
SPEEDOMETER/CABLE/KEY SET



Service Item	F.R.T.	Group Number: F-2-SELF-i3S Model :: Splendor+ iBS BSVI (Feb, 2020)		
Ref No.	Part Number	Description	Req.	
1	34913-ACK-02099	LED BULB RED WEDGE BASE	1	
	34914-ACK-02099	LED BULB WARM WHITE WEDGE BASE	1	
2	34910-KWA-930	BULB WEDGE BASE (T10 12V, 1.7W)	2	
	34920-AAG-300	BULB WEDGE BASE (T10 12V 3W)	2	
3	35010-AAE-301	KEY SET	1	
4	35100-AAE-301	SWITCH ASSY., COMB.& LOCK	1	
5	35121-AAE-H00	KEY BLANK NO 1	1	
6	35122-AAE-H00	KEY BLANK NO 2	1	
7	37100-AAE-31099	METER ASSY., COMB. (SELF I3S)	1	
8	37210-AAE-31099	SPEEDOMETER COMP., (SELF I3S)	1	
9	37215-MB6-830	CLAMP	1	
10	37300-AAE-H01	FUEL METER COMP.	1	
11	37610-KCC-900	CASE UPPER ASSY.	1	
	37610-AAE-102	CASE UPPER ASSY	1	
12	37612-ACK-02099	CASE, UNDER ASSY (I3S)	1	
13	37614-KCC-900	COVER, UNDER CASE	1	
14	37619-AAE-31099	SOCKET COMP. (SELF I3S)	1	
15	44830-AAD-000	CABLE COMP SPDMT.	1	
16	61317-KCC-900	GUIDE `A	1	
17	80101-443-000	RUBBER, RR. FENDER CUSHION	3	
18	90035-KST-900	SCREW,WASH,4 X 8	2	
19	91352-GAZ-930	O-RING 8.5X11.5	1	
21	94001-06070-0S	NUT, HEX., 6 MM	3	
22	94103-06700	WASHER, PLAIN, 6 MM	2	
23	96700-08020-00	BOLT SOCKET, 8 MM	2	
24	90108-KWH-961	SCREW, WASH, 3X22	3	
25	37700-AAE-312	SPEED SENSOR ASSY., (SELF I3S)	1	
25A	37700-ACK-02099	SPEED SENSOR ASSY	1	

26	37701-AAG-A01	O RING SPEED SENSOR	1
26A	37701-AAC-812	O RING SPEED SENSOR (SELF I3S)	1

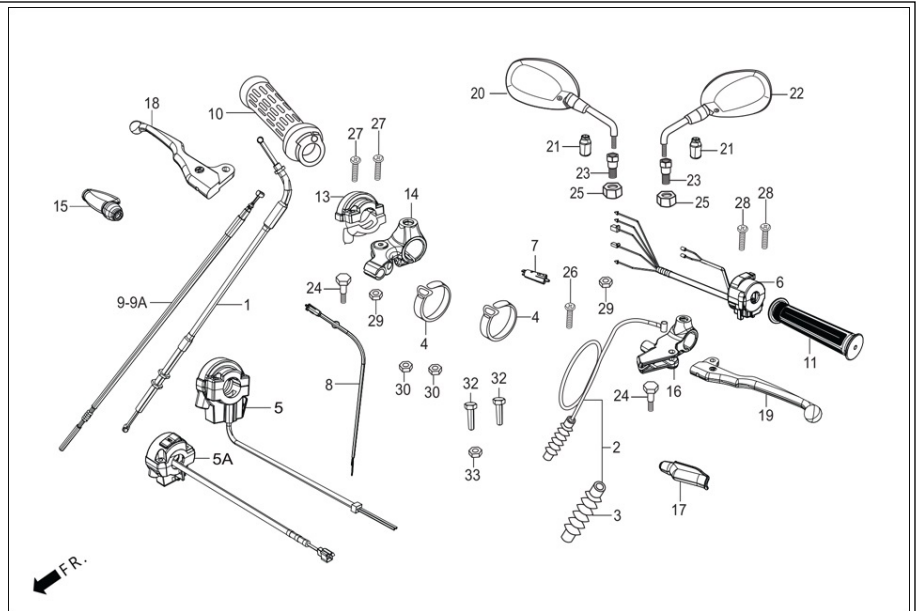
F-3-KICK
HANDLE LEVER/SWITCH/CONTROL
CABLE



Service Item	F.R.T.	Group Number: F-3-KICK Model :: Splendor+ iBS BSVI (Feb, 2020)			
		Ref No.	Part Number	Description	Req.
		1	17910-AAE-300	CABLE COMP., THROTTLE	1
		2	22870-KWA-940	CABLE COMP. CLUTCH	1
		3	22871-116-670	BOOT, CLUTCH CABLE	1
		4	32161-404-000	BAND B-1,WIRE	2
		5A	35150-AAE-311	SW ASSY START & I3S	1
		6	35200-AAE-11099	SW.ASSY.WINKER	1
		7	35330-413-003	SW. COMP., FR. LEVER	1
		8	35340-KCC-900	SWITCH ASSY., FR. STOP	1
		9	45475-AAH-F00	CABLE COMP., FR. BRAKE	1
		9A	45450-ACK-000	CABLE COMP. COMBI BRAKE	1
		10	53140-KTC-900	GRIP COMP. , R HANDLE	1
		11	53166-KTC-900	GRIP L HANDLE	1
		12	53167-GE4-000	HOUSING UNDER,THROTTLE	1
		13	53168-166-000	HOUSING UPPER, THROTTLE	1
		14	53173-KTR-A20	BRACKET., R. HANDLE LEVER	1
		15	53171-KCC-900	COVER R HANDLE LEVER	1
		16	53172-KTC-920	BRACKET, L HANDLE LEVER	1
		17	53179-KTC-900	COVER L HANDLE LEVER	1
		18	53175-AAF-H00	LEVER COMP.R STRG.HNDL.	1
		19	53178-AAF-H00	LEVER COMP.L STRG.HNDL.	1
		20	88110-AAE-H31	MIRROR ASSY R BACK	1
		21	88114-198-D10	CAP, LOCK NUT	2
		22	88120-AAE-H31	MIRROR ASSY L BACK	1
		23	90003-MY5-720	BOLT,ADPT.10MM	2
		24	90114-310-000	BOLT, HANDLE LEVER PIVOT	2
		25	90201-MW3-620	NUT, HEX., 10MM	2
		27	93500-05022-1G	SCREW, PAN, 5 X 22	2
		28	93500-05020-0G	SCREW, PAN, 5 X 20	2

29	94001-06090-0S	NUT, HEX, 6 MM	2
30	94002-08000-0S	NUT HEX.8 MM	2
32	92000-06025-0A	BOLT, HEX., 6 X 25	2
33	94002-10070-0S	NUT, HEX., 10MM	1

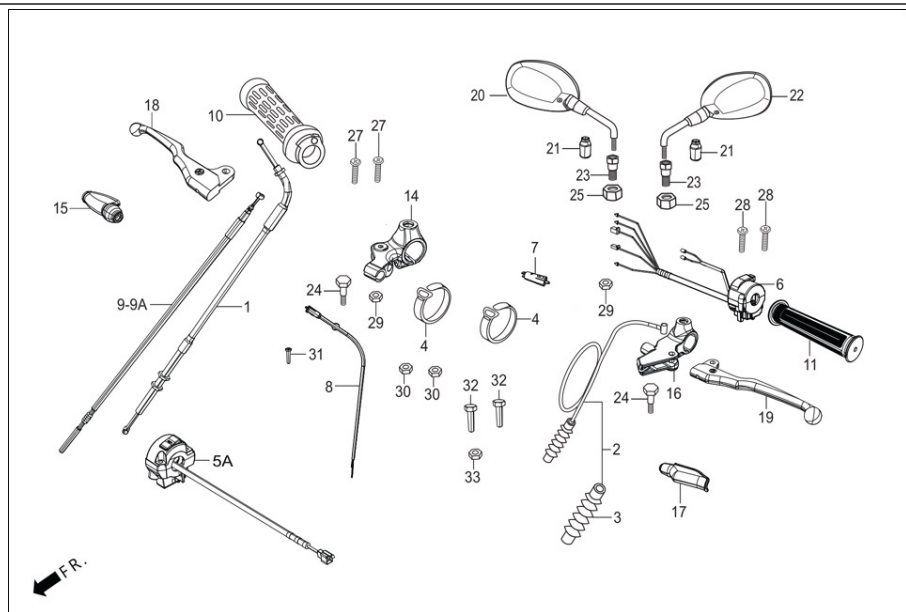
F-3-SELF
HANDLE LEVER/SWITCH/CONTROL
CABLE



Service Item	F.R.T.	Group Number: F-3-SELF Model :: Splendor+ iBS BSVI (Feb, 2020)			
		Ref No.	Part Number	Description	Req.
		1	17910-AAE-300	CABLE COMP., THROTTLE	1
		2	22870-KWA-940	CABLE COMP. CLUTCH	1
		3	22871-116-670	BOOT, CLUTCH CABLE	1
		4	32161-404-000	BAND B-1,WIRE	2
		5	35150-AAG-H20	SW ASSY START	1
		5A	35150-AAE-311	SW ASSY START & I3S	1
		6	35200-AAE-11099	SW.ASSY.WINKER	1
		7	35330-413-003	SW. COMP., FR. LEVER	1
		8	35340-KST-950	SWITCH ASSY., FR. STOP	1
		9	45475-AAH-F00	CABLE COMP., FR. BRAKE	1
		9A	45450-ACK-000	CABLE COMP. COMBI BRAKE	1
		10	53140-KTC-900	GRIP COMP. , R HANDLE	1
		11	53166-KTC-900	GRIP L HANDLE	1
		13	53168-166-000	HOUSING UPPER, THROTTLE	1
		14	53173-KTR-A20	BRACKET., R. HANDLE LEVER	1
		15	53171-KCC-900	COVER R HANDLE LEVER	1
		16	53172-KTC-920	BRACKET, L HANDLE LEVER	1
		17	53179-KTC-900	COVER L HANDLE LEVER	1
		18	53175-AAF-H00	LEVER COMP.R STRG.HNDL.	1
		19	53178-AAF-H00	LEVER COMP.L STRG.HNDL.	1
		20	88110-AAE-H31	MIRROR ASSY R BACK	1
		21	88114-198-D10	CAP, LOCK NUT	2
		22	88120-AAE-H31	MIRROR ASSY L BACK	1
		23	90003-MY5-720	BOLT,ADPT.10MM	2
		24	90114-310-000	BOLT, HANDLE LEVER PIVOT	2
		25	90201-MW3-620	NUT, HEX., 10MM	2
		26	93901-32220	SCREW TAPPING 3X10	1
		27	93500-05022-1G	SCREW, PAN, 5 X 22	2

28	93500-05020-0G	SCREW, PAN, 5 X 20	2
29	94001-06090-0S	NUT, HEX, 6 MM	2
30	94002-08000-0S	NUT HEX.8 MM	2
32	92000-06025-0A	BOLT, HEX., 6 X 25	2
33	94002-10070-0S	NUT, HEX., 10MM	1

F-3-SELF-i3S
HANDLE LEVER/SWITCH/CONTROL
CABLE

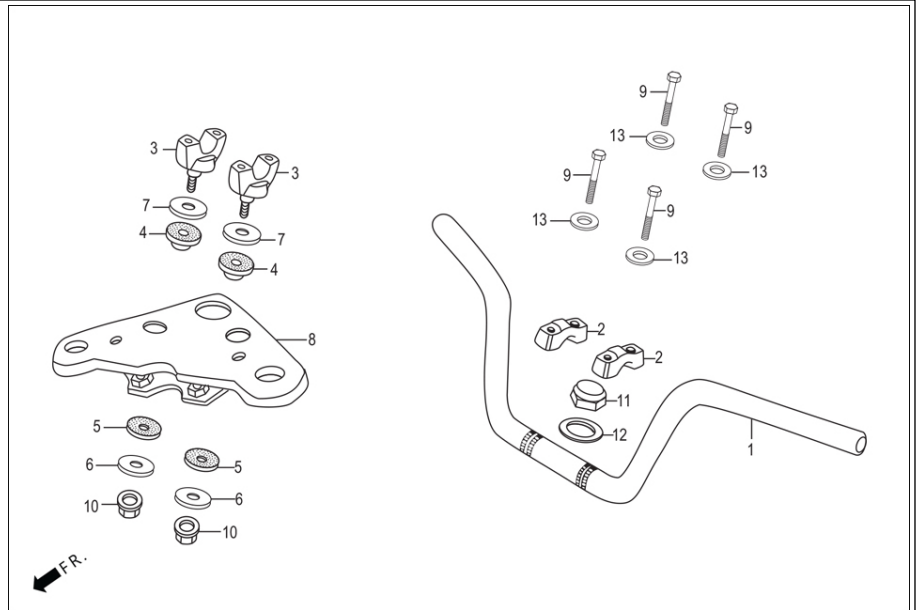


Service Item	F.R.T.	Group Number: F-3-SELF-i3S Model :: Splendor+ iBS BSVI (Feb, 2020)			
		Ref No.	Part Number	Description	Req.
		1	17910-AAE-300	CABLE COMP., THROTTLE	1
		2	22870-KWA-940	CABLE COMP. CLUTCH	1
		3	22871-116-670	BOOT, CLUTCH CABLE	1
		4	32161-404-000	BAND B-1,WIRE	2
		5A	35150-AAF-401	SWITCH ASSY., START & I3S	1
			35150-AAE-311	SW ASSY START & I3S	1
		6	35200-AAE-11099	SW.ASSY.WINKER	1
		7	35330-413-003	SW. COMP., FR. LEVER	1
		8	35340-KST-950	SWITCH ASSY., FR. STOP	1
		9	45475-AAH-F00	CABLE COMP., FR. BRAKE	1
		9A	45450-ACK-000	CABLE COMP. COMBI BRAKE	1
		10	53140-KTC-900	GRIP COMP. , R HANDLE	1
		11	53166-KTC-900	GRIP L HANDLE	1
		14	53173-KTR-A20	BRACKET., R. HANDLE LEVER	1
		15	53171-KCC-900	COVER R HANDLE LEVER	1
		16	53172-KTC-920	BRACKET, L HANDLE LEVER	1
		17	53179-KTC-900	COVER L HANDLE LEVER	1
		18	53175-AAF-H00	LEVER COMP.R STRG.HNDL.	1
		19	53178-AAF-H00	LEVER COMP.L STRG.HNDL.	1
		20	88110-AAE-H31	MIRROR ASSY R BACK	1
		21	88114-198-D10	CAP, LOCK NUT	2
		22	88120-AAE-H31	MIRROR ASSY L BACK	1
		23	90003-MY5-720	BOLT,ADPT.10MM	2
		24	90114-310-000	BOLT, HANDLE LEVER PIVOT	2
		25	90201-MW3-620	NUT, HEX., 10MM	2
		27	93500-05022-1G	SCREW, PAN, 5 X 22	2
		28	93500-05020-0G	SCREW, PAN, 5 X 20	2
		29	94001-06090-0S	NUT, HEX, 6 MM	2

30	94002-08000-0S	NUT HEX.8 MM	2
31	93901-32220	SCREW TAPPING 3X10	1
32	92000-06025-0A	BOLT, HEX., 6 X 25	2
33	94002-10070-0S	NUT, HEX., 10MM	1

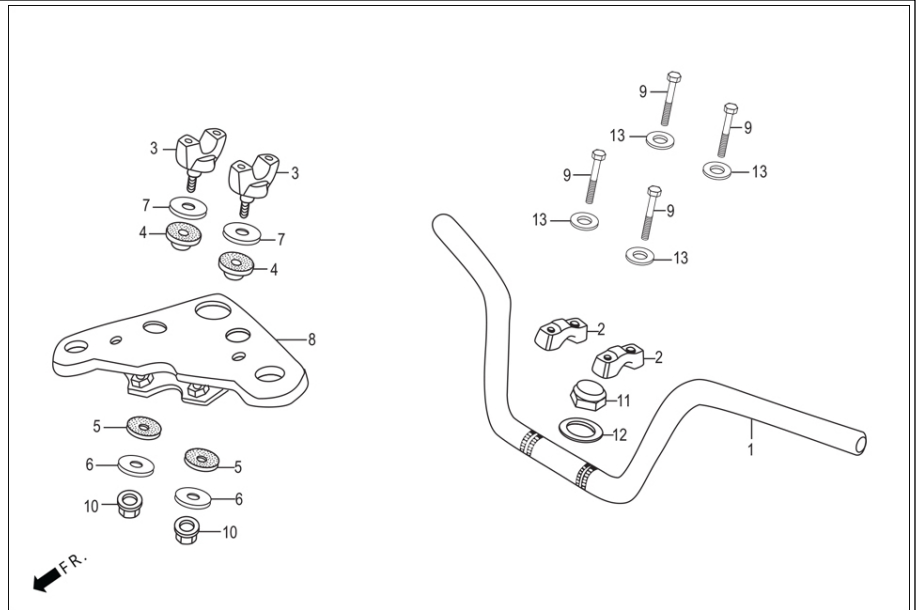
F-4-KICK

HANDLE PIPE/TOP BRIDGE



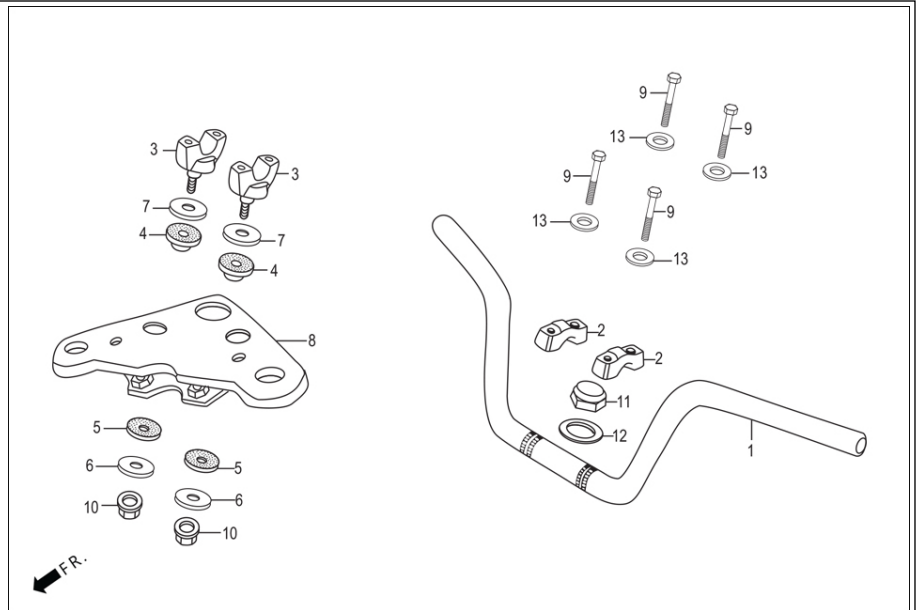
Service Item	F.R.T.	Group Number: F-4-KICK Model :: Splendor+ iBS BSVI (Feb, 2020)			
		Ref No.	Part Number	Description	Req.
		1	53100-AAE-000	PIPE, STEERING HANDLE	1
		2	95014-21101	HOLDER A1, HANDLE PIPE UPPER	2
		3	53132-124-000	HOLDER, HANDLE PIPE UNDER	2
		4	53133-198-900	RUBBER, HANDLE CUSHION UPPER	2
		5	53134-028-000	RUBBER, HANDLE CUSHION UNDER	2
		6	53135-198-900	WASHER, HANDLE CUSHION	2
		7	53136-198-900	PLATE, HANDLE CUSHION	2
		8	53230-KCC-900	BRIDGE COMP., FORK TOP	1
		9	90117-065-000	BOLT,HEX., 6X28	4
		10	90304-AAH-F00	NYLOCK NUT 10 MM	2
		11	90304-159-000	NUT, STEERING STEM	1
		12	90503-051-870	WASHER, STEERING STEM	1
		13	94101-06000	WASHER, PLAIN, 6 MM	4

F-4-SELF
HANDLE PIPE/TOP BRIDGE



Service Item	F.R.T.	Group Number: F-4-SELF Model :: Splendor+ iBS BSVI (Feb, 2020)			
		Ref No.	Part Number	Description	Req.
		1	53100-AAD-000	PIPE, STEERING HANDLE	1
		2	95014-21101	HOLDER A1, HANDLE PIPE UPPER	2
		3	53132-124-000	HOLDER, HANDLE PIPE UNDER	2
		4	53133-198-900	RUBBER, HANDLE CUSHION UPPER	2
		5	53134-028-000	RUBBER, HANDLE CUSHION UNDER	2
		6	53135-198-900	WASHER, HANDLE CUSHION	2
		7	53136-198-900	PLATE, HANDLE CUSHION	2
		8	53230-KCC-900	BRIDGE COMP., FORK TOP	1
		9	90117-065-000	BOLT,HEX., 6X28	4
		10	90304-AAH-F00	NYLOCK NUT 10 MM	2
		11	90304-159-000	NUT, STEERING STEM	1
		12	90503-051-870	WASHER, STEERING STEM	1
		13	94101-06000	WASHER, PLAIN, 6 MM	4

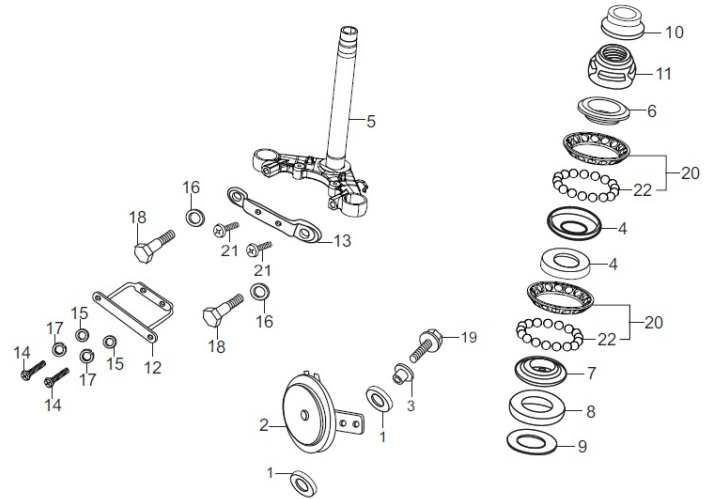
F-4-SELF-i3S
HANDLE PIPE/TOP BRIDGE



Service Item	F.R.T.	Group Number: F-4-SELF-i3S Model :: Splendor+ iBS BSVI (Feb, 2020)		
Ref No.	Part Number	Description	Req.	
1	53100-AAE-110	PIPE STRG HANDLE	1	
2	95014-21101	HOLDER A1, HANDLE PIPE UPPER	2	
3	53132-124-000	HOLDER, HANDLE PIPE UNDER	2	
4	53133-198-900	RUBBER, HANDLE CUSHION UPPER	2	
5	53134-028-000	RUBBER, HANDLE CUSHION UNDER	2	
6	53135-198-900	WASHER, HANDLE CUSHION	2	
7	53136-198-900	PLATE, HANDLE CUSHION	2	
8	53230-KCC-900	BRIDGE COMP., FORK TOP	1	
9	90117-065-000	BOLT,HEX., 6X28	4	
10	90304-AAH-F00	NYLOCK NUT 10 MM	2	
11	90304-159-000	NUT, STEERING STEM	1	
12	90503-051-870	WASHER, STEERING STEM	1	
13	94101-06000	WASHER, PLAIN, 6 MM	4	

F-5

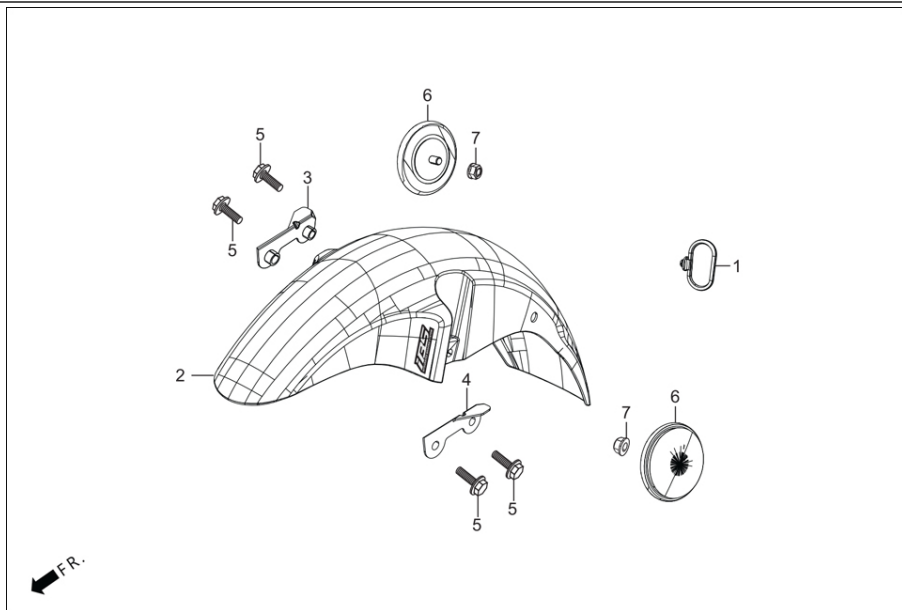
STEERING STEM/HORN



FR.

Service Item	F.R.T.	Group Number: F-5 Model :: Splendor+ iBS BSVI (Feb, 2020)			
		Ref No.	Part Number	Description	Req.
		1	33714-KL3-620	RUBBER, TAIL LIGHT	2
		2	38110-AAN-601	HORN COMP	1
			38110-AAE-001	HORN COMP.,	1
		3	38117-KFE-701	COLLAR, HORN SET	1
		4	50301-041-010	RACE, STEERING BALL	2
		5	53200-AAE-300	STEM, COMP., STEERING	1
		6	53211-028-010	RACE, STEERING TOP CONE	1
		7	53212-030-010	RACE, STEERING BOTTOM CONE	1
		8	53214-001-010	DUST SEAL, STEERING HEAD	1
		9	53215-001-000	WASHER,STEERING HEAD DUST SEAL	1
		10	53222-KCC-900	MUD GUARD, STEERING HEAD TOP	1
		11	53229-028-310	THREAD, STEERING HEAD TOP	1
		12	64311-KCC-860	BRKT. COMP. FR. NO. PLATE	1
		13	64315-KCC-900	BASE, FR. NUMBER PLATE	1
		14	93500-05012-0A	SCREW PAN, 5 X 12	2
		15	94101-05000	WASHER , PLAIN, 5MM	2
		16	94101-08000	WASHER, PLAIN, 8MM	2
		17	94111-05000	WASHER, SPRING, 5 MM	2
		18	95300-08040-00	BOLT HEX. 8 X 40	2
		19	95701-06020-07	BOLT, FLANGE, 6 X 20	1
		20	53210-AAE-300	BALL ASSY., STEERING	2
		21	93893-05012-18	SCREW WASHER 5X12	2
		22	96211-06000	BALL, STEEL, 6 MM	34

F-6 FENDER FRONT



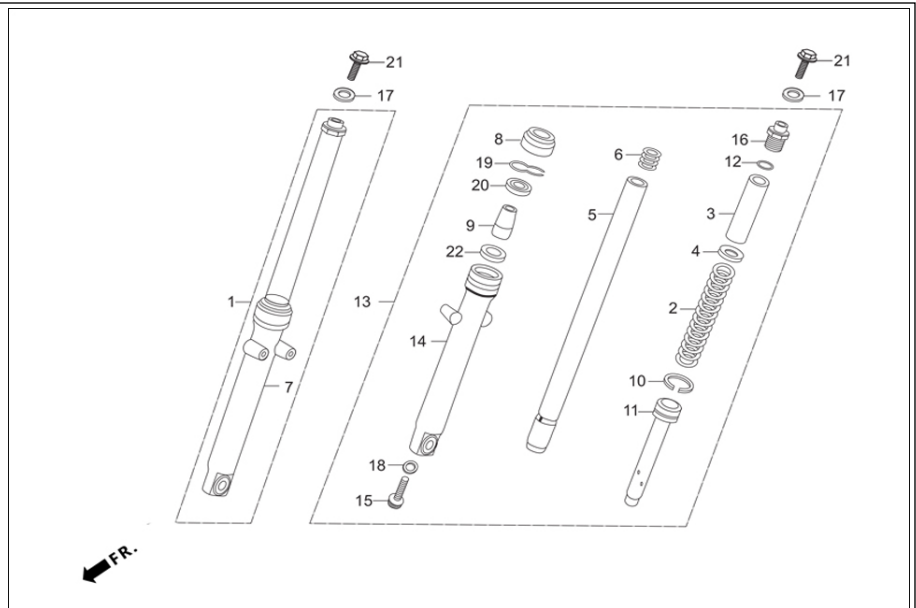
Service Item

F.R.T.

Group Number: F-6 Model :: Splendor+ iBS BSVI (Feb, 2020)

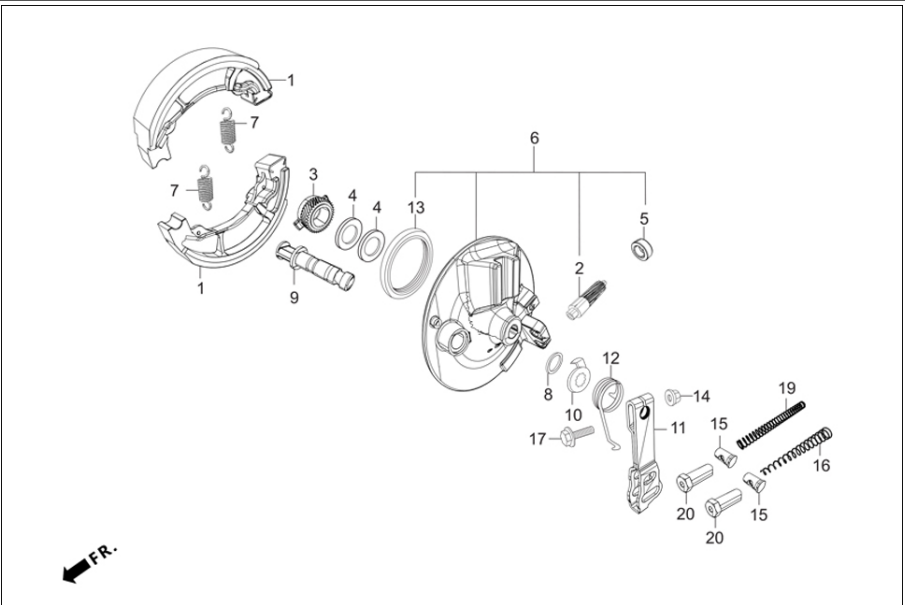
Ref No.	Part Number	Description	Req.
1	45451-AAF-400	GUIDE, FR. (FENDER) CABLE	1
2	61000-AAE-200R	FENDER COMP., FRONT (BLACK) (NH-1)	1
	61000-AAE-300U	SET FR FENDER (EBONY GRAY ME.)	1
3	61103-KST-940	COLLER, FR. FENDER R	1
4	61104-KST-940	COLLER, FR. FENDER L	1
5	95701-06020-00	BOLT, FLANGE, 6X20	4
6	33740-AAG-501	REFLEX REFLECTOR FR SIDE	2
	33741-KAK-971	REFLEX, LEFT FRONT	2
7	94050-06000	NUT, FLANGE, 6 MM	2

F-7
FRONT FORK



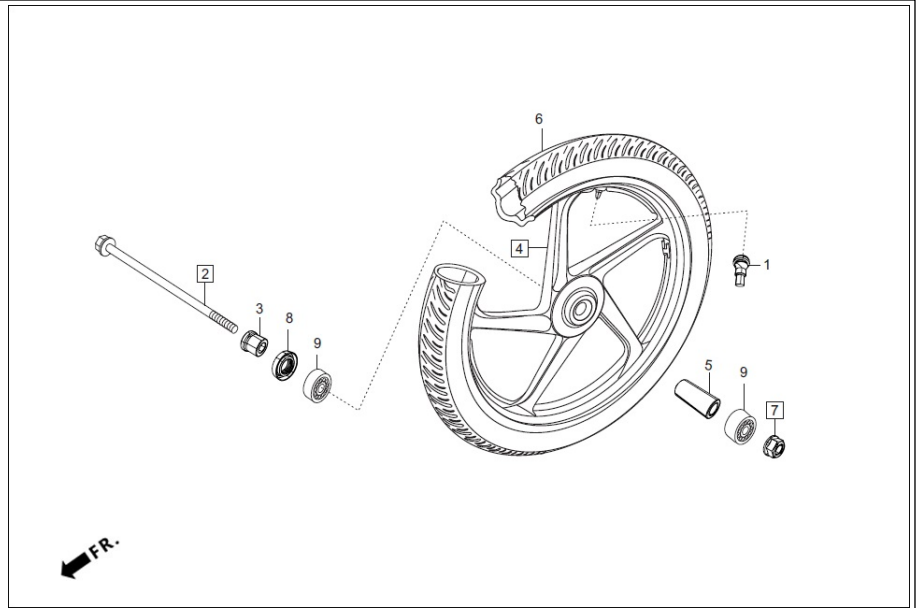
Service Item	F.R.T.	Group Number: F-7 Model :: Splendor+ iBS BSVI (Feb, 2020)			
		Ref No.	Part Number	Description	Req.
*FORK ASSY., R/L FR	0.5	1	51400-KST-A11	FORK ASSY., RFORNT	1
(ADD FOR EACH)	--	2	51401-KST-941	SPRING, FR. CUSHION	2
*SPRING, FR. CUSHION	--	3	51403-KCC-900	COLLAR, SPRING	2
(ADD FOR EACH)	--	4	51403-447-730	JOINT, SPRING	2
*PIPE COMP., FR. FORK	0.8	5	51410-KWA-941	PIPE COMP. FR. FORK	2
(ADD FOR EACH)	--	6	51412-KAG-900	SPRING, REBOUND	2
*CASE R/L FR. BOTTOM	0.9	7	51420-KST-A11	CASE, RFR. BOTTOM	1
(ADD FOR EACH)	--	8	51425-KST-901	SEAL, DUST	2
		9	51432-KST-901	PIECE, OIL LOCK	2
		10	51437-KVN-901	RING, PISTON	2
		11	51440-KTR-901	PIPE, SEAT	2
		12	91356-KAG-900	O - RING	2
		13	51500-KST-A11	FORK ASSY., LFRONT	1
		14	51520-KST-A11	CASE, LFR. BOTTOM	1
		15	90116-KAG-900	BOLT, SOCKET, 8 MM	2
		16	90123-KST-941	BOLT, A FR. FORK	2
		17	90521-292-000	WASHER, PLAIN, 10.3 MM	2
		18	90544-439-930	WASHER, SPECIAL, 8 MM	2
		19	90601-GF5-730	RING, OIL SEAL STOPPER	2
		20	91255-KWA-941	SEAL OIL 30×42×11	2
		21	90123-KRM-860	BOLT, FR. FORK	2
		22	51412-KWA-941	RING BACKUP	2

F-8
FRONT BRAKE PANEL



Service Item	F.R.T.	Group Number: F-8 Model :: Splendor+ iBS BSVI (Feb, 2020)			
		Ref No.	Part Number	Description	Req.
*GEAR, SPEEDOMETER	0.3	1	45125-AAH-F0099	SHOE COMP BRAKE	2
*PINION, SPEEDOMETER	0.6		45125-AAH-F0099	SHOE COMP BRAKE	2
*PANEL SUB COMP., FR. BRAKE (INC. RELATIVE PART)	0.4 --	2	44805-KTC-900	PINION, SPEEDOMETER	1
*SHOE COMP., BRAKE (ONE OR ALL)	--	3	44806-KST-900	GEAR, SPEEDOMETER	1
*ARM. FR. BRAKE	0.1	4	44809-170-000	WASHER, SPEEDOMETER GEAR	2
(INC. RELATIVE PART)	--	5	44810-KTC-900	BUSH, PINION	1
		6	45010-AAH-F00	PANEL SUB. COMP., FRONT BRAKE	1
		7	45133-KCC-900	SPRING, FR. BRAKE SHOE	2
		8	45134-250-000	DUST SEAL, BRAKE CAM	1
		9	45141-KTC-900	CAM FR. BRAKE	1
		10	45145-096-650	INDICATOR, FR. BRAKE	1
		11	45410-AAH-F00	ARM, FR. BRAKE	1
		12	45435-GB2-720	SPRING, BRAKE ARM RETURN	1
		13	91251-GK4-000	OIL SEAL, 47X60X7	1
		14	94050-06000	NUT, FLANGE, 6 MM	1
		15	95015-32001	JOINT B BRAKE ARM	1
		16	95015-42000	NUT B ADJUST	1
		17	95701-06032-00	BOLT, FLANGE, 6 X 32	1
		18	43455-AAL-100	JOINT BRAKE ARM	2
		19	45456-AAL-100	SPRING BRK CABLE END	1
		20	45459-AAL-100	NUT BRAKE ADJUSTING	2
		21	45456-AAW-000	SPRING BRK CABLE END	1

F-9 FRONT WHEEL



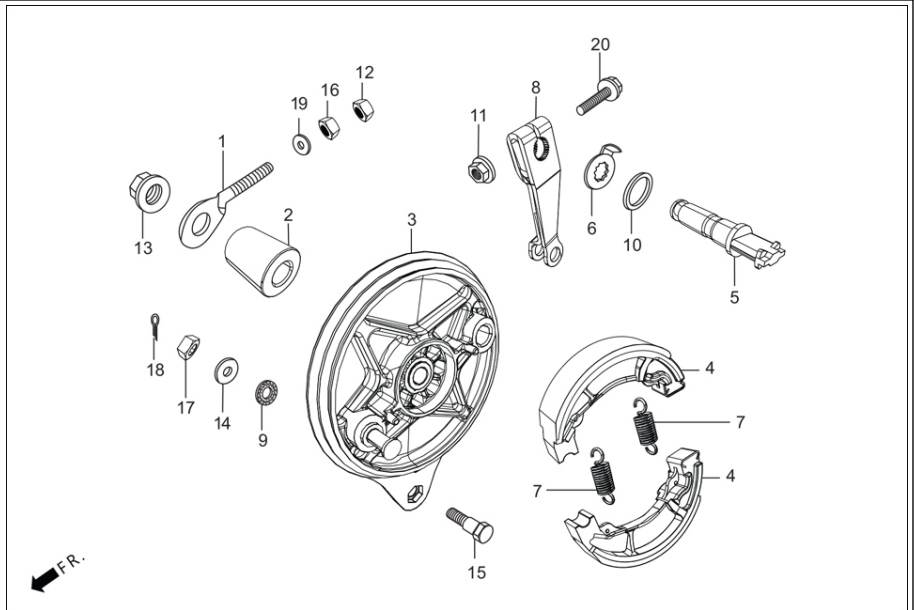
Service Item

F.R.T.

Group Number: F-9 Model :: Splendor+ iBS BSVI (Feb, 2020)

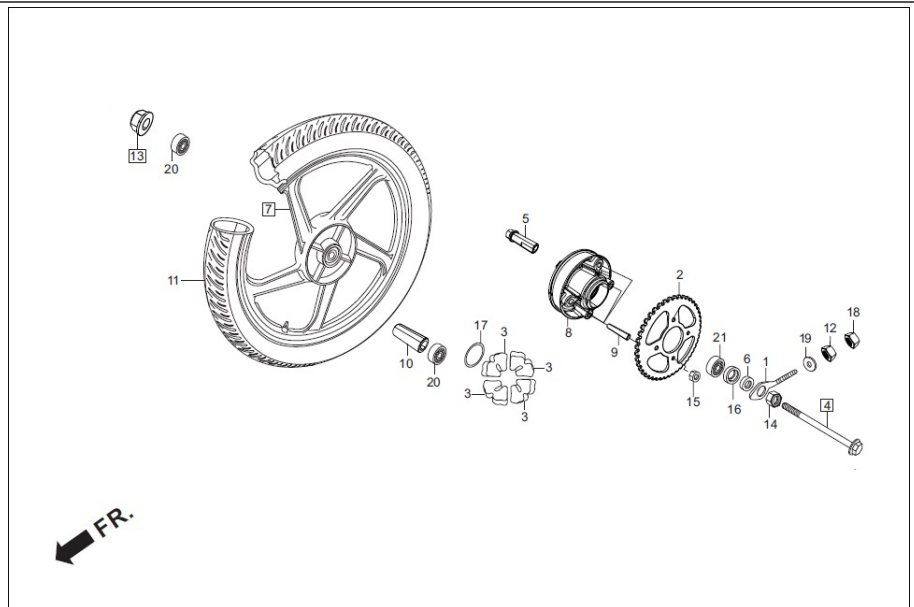
Ref No.	Part Number	Description	Req.
1	42753-KWF-90099	RIM VALVE	1
2	44301-KTR-700	AXLE, FR. WHEEL	1
3	44311-KRC-900	COLLAR, FR. WHEEL SIDE	1
4	44601-AAE-23099	WHEEL COMP. FRONT	1
5	44620-400-000	COLLAR, FRONT DISTANCE	1
6	44711-AAF-00099	TYRE FRONT	1
7	90306-KST-942	NUT, CASTLE, 12 MM	1
8	91251-KPH-901	DUST SEAL, 21 X 37 X 7	1
9	96140-63010-10	BEARING, RADIAL BALL, 6301U	2

F-10
REAR BRAKE PANEL



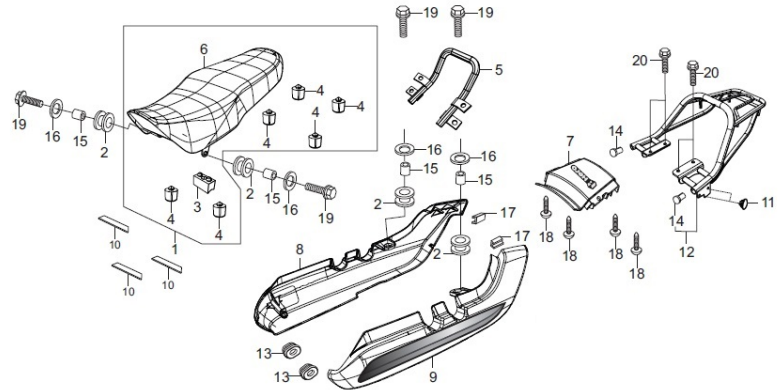
Service Item	F.R.T.	Group Number: F-10 Model :: Splendor+ iBS BSVI (Feb, 2020)			
		Ref No.	Part Number	Description	Req.
		1	40543-198-900	ADJUSTER, R CHAIN	1
		2	42313-KCC-600	COLLAR RR. BRAKE PANEL SIDE	1
		3	43100-KTR-700	PANEL COMP., RR. BRAKE	1
		4	43125-KTN-701	SHOE COMP., BRAKE	2
		5	43141-KTC-900	CAM, REAR BRAKE	1
		6	45145-KFM-900	INDICATOR, FR. BRK	1
		7	45133-KCC-900	SPRING, FR. BRAKE SHOE	2
		8	43410-AAH-F00	ARM, RR. BRAKE	1
		9	43434-286-000	RUBBER, STOPPER ARM CUSHION	1
		10	45134-250-000	DUST SEAL, BRAKE CAM	1
		11	90301-473-000	NUT,U 6MM	1
		12	90302-KBP-900	NUT SPL 6 MM	1
		13	90306-KST-942	NUT, CASTLE, 12 MM	1
		14	90505-425-000	WASHER, 8 MM	1
		15	92811-10000	BOLT A BRAKE STOPPER	1
		16	94001-06000-0S	NUT, HEX., 6 MM	1
		17	94001-08000-0S	NUT, HEX., 8 MM	1
		18	94201-20150	PIN, SPLIT, 2.0 X 15	1
		19	94101-06000	WASHER, PLAIN, 6 MM	1
		20	95701-06035-00	BOLT, FLANGE, 6X35	1

F-11
REAR WHEEL



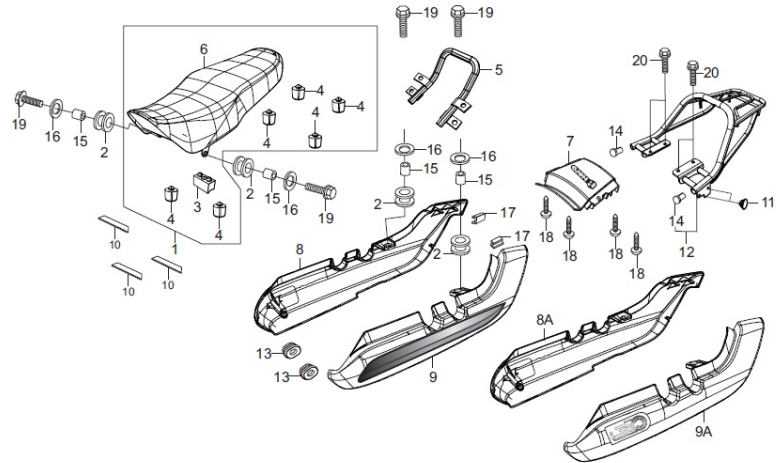
Service Item	F.R.T.	Group Number: F-11 Model :: Splendor+ iBS BSVI (Feb, 2020)			
		Ref No.	Part Number	Description	Req.
		1	40544-198-900	ADJUSTER, L CHAIN	1
		2	41201-KST-940	SPROCKET, FINAL DRIVEN (44T)	1
		3	41241-AAN-410	DAMPER, REAR WHEEL	4
		4	42301-ABA-000	AXLE RR WHEEL	1
		5	42303-AAH-100	SLEEVE REAR WHEEL	1
		6	42304-198-900	COLLAR, RR.AXLE SLEEVE	1
		7	42601-AAE-23099	WHEEL COMP. REAR (KIT REQUIRED)	1
		8	42611-KWA-940	FLANGE FINAL DRIVEN	1
		9	42615-AAC-400	BOLT, STUD 8X35.5	4
		10	42620-KTR-700	COLLAR, REAR AXLE DISTANCE	1
		11	42711-AAF-00099	TYRE, REAR	1
		12	90302-KBP-900	NUT SPL 6 MM	1
		13	90306-KST-942	NUT, CASTLE, 12 MM	1
		14	90307-001-000	NUT ,RR. AXLE SLEEVE	1
		15	90309-357-000	NUT, HEX ,8MM	4
		16	90753-029-000	OIL SEAL, 27 X 40 X 6	1
		17	91304-704-000	O-RING 42 MM	1
		18	94001-06000-0S	NUT, HEX., 6 MM	1
		19	94101-06000	WASHER, PLAIN, 6 MM	1
		20	96140-63010-10	BEARING, RADIAL BALL, 6301U	2
		21	96150-62030-10	BEARING, BALL RADIAL, 6203 (UU)	1

F-12
SET ASSY./RR. COWL/REAR CARRIER(W/O
i3S)



Service Item	F.R.T.	Group Number: F-12 Model :: Splendor+ iBS BSVI (Feb, 2020)		
Ref No.	Part Number	Description	Req.	
1	77200-AAE-300	SEAT ASSY., DOUBLE	1	
2	77202-KCC-900	RUBBER, SEAT MOUNTING	4	
3	77204-KCC-900	RUBBER, `A SEAT SETTING	1	
4	77206-KCC-900	RUBBER, SEAT CUSHION	6	
5	77215-AAD-300	CROSS PIPE	1	
6	7720B-AAD-300	COVER SEAT ASSY.	1	
7	77235-AAE-300R	SET CENTER RR COWL (BLACK NH-1)	1	
	77235-AAE-300U	SET CENTER RR COWL (EBONY GRAY ME.)	1	
8	77300-AAE-300R	SET, RSIDE-COWL (BLACK NH-1) TYPE-1	1	
	77300-AAE-300S	SET, RSIDE-COWL (BLACK NH-1) TYPE-2	1	
	77300-AAE-300T	SET, RSIDE-COWL (BLACK NH-1) TYPE-3	1	
	77300-AAE-300U	SET, RSIDE-COWL (EBONY GRAY ME.)	1	
9	77400-AAE-300R	SET, LSIDE-COWL (BLACK NH-1) TYPE-1	1	
	77400-AAE-300S	SET, LSIDE-COWL (BLACK NH-1) TYPE-2	1	
	77400-AAE-300T	SET, LSIDE-COWL (BLACK NH-1) TYPE-3	1	
	77400-AAE-300U	SET, LSIDE-COWL (EBONY GRAY ME.)	1	
10	77211-KCC-900	CUSHION, SEAT	3	
11	90851-AAE-H60	PLUG USELESS HOLE	2	
12	81200-AAD-300	CARRIER REAR	1	
13	83551-300-000	GROMMET, AIR CLEANER CASE	2	
14	84103-AAD-300	CAP, CARRIER RR.	2	
15	84702-KCC-900	COLLAR, STAY NO. PLATE SET	4	
16	90563-355-000	WASHER, WHEEL, 6 MM	4	
17	90810-KCC-910	RUBBER, STOPPER	2	
18	93913-24320	SCREW TAPPING, 4 X 14	4	
19	95701-06025-00	BOLT, FLANGE, 6X 25	4	
20	95701-08020-00	BOLT, FLANGE, 8X20	4	

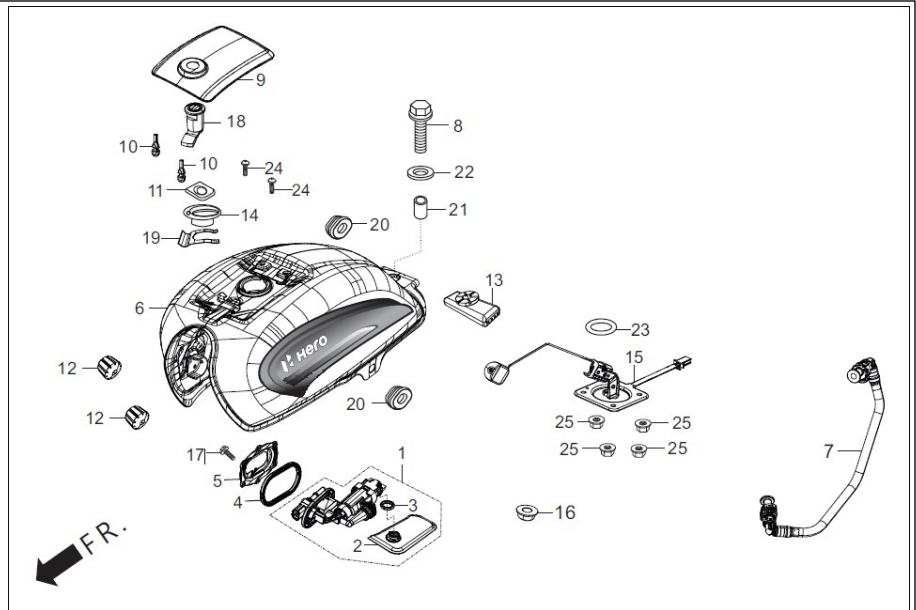
F-12-SELF-i3S
SET ASSY./RR. COWL/REAR CARRIER(W/O
i3S)



Service Item	F.R.T.	Group Number: F-12-SELF-i3S Model :: Splendor+ iBS BSVI (Feb, 2020)		
Ref No.	Part Number	Description	Req.	
1	77200-AAE-300	SEAT ASSY., DOUBLE	1	
2	77202-KCC-900	RUBBER, SEAT MOUNTING	4	
3	77204-KCC-900	RUBBER, `A SEAT SETTING	4	
4	77206-KCC-900	RUBBER, SEAT CUSHION	6	
5	77215-AAD-300	CROSS PIPE	1	
6	7720B-AAD-300	COVER SEAT ASSY.	1	
7	77235-AAE-300R	SET CENTER RR COWL (BLACK NH-1)	1	
	77235-AAE-300U	SET CENTER RR COWL (EBONY GRAY ME.)	1	
8	77300-AAE-300R	SET, RSIDE-COWL (BLACK NH-1) TYPE-1	1	
	77300-AAE-300S	SET, RSIDE-COWL (BLACK NH-1) TYPE-2	1	
	77300-AAE-300T	SET, RSIDE-COWL (BLACK NH-1) TYPE-3	1	
	77300-AAE-300U	SET, RSIDE-COWL (EBONY GRAY ME.)	1	
8A	77340-AAE-1000	SET R SIDE COWL	1	
9	77400-AAE-300R	SET, LSIDE-COWL (BLACK NH-1) TYPE-1	1	
	77400-AAE-300S	SET, LSIDE-COWL (BLACK NH-1) TYPE-2	1	
	77400-AAE-300T	SET, LSIDE-COWL (BLACK NH-1) TYPE-3	1	
	77400-AAE-300U	SET, LSIDE-COWL (EBONY GRAY ME.)	1	
9A	77350-AAE-100	SET, LSIDE-COWL (BLACK NH-1) TYPE-4	1	
10	77211-KCC-900	CUSHION, SEAT	3	
11	90851-AAE-H60	PLUG USELESS HOLE	2	
12	81200-AAD-300	CARRIER REAR	1	
13	83551-300-000	GROMMET, AIR CLEANER CASE	2	
14	84103-AAD-300	CAP, CARRIER RR.	2	
15	84702-KCC-900	COLLAR, STAY NO. PLATE SET	4	
16	90563-355-000	WASHER, WHEEL, 6 MM	4	
17	90810-KCC-910	RUBBER, STOPPER	2	
18	93913-24320	SCREW TAPPING, 4 X 14	4	
19	95701-06025-00	BOLT, FLANGE, 6X 25	4	

20	95701-08020-00	BOLT, FLANGE, 8X20	4
----	----------------	--------------------	---

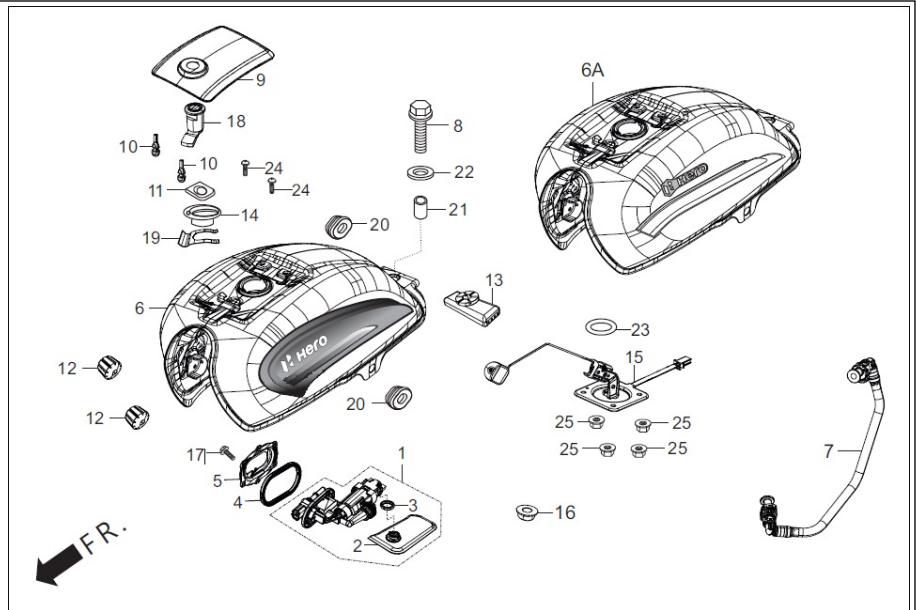
F-13 FUEL TANK



Service Item	F.R.T.	Group Number: F-13 Model :: Splendor+ iBS BSVI (Feb, 2020)		
Ref No.	Part Number	Description	Req.	
1	16700-AAE-300	UNIT ASSY FUEL PUMP	1	
2	16701-AAE-300	FUEL PUMP FILTER	1	
3	16702-AAL-901	FUEL PUMP O-RING	1	
4	17572-AAE-300	GASKET FUEL PUMP	1	
5	17507-AAE-300	PLATE SETTING	1	
6	17520-AAE-300R	SET, FUEL TANK (BLACK NH-1) TYPE-1	1	
	17520-AAE-300S	SET, FUEL TANK (BLACK NH-1) TYPE-2	1	
	17520-AAE-300T	SET, FUEL TANK (BLACK NH-1) TYPE-3	1	
	17520-AAE-300U	SET, FUEL TANK (EBONY GRAY ME.)	1	
7	17570-AAE-30099	HOSE COMP. FUEL FEED	1	
8	95701-08035-00	BOLT, FLANGE, 8 X 35	1	
9	17511-KCC-905ZB	LID COMP, FUEL TANK (BLACK)	1	
	17514-AAE-300U	LID COMP. FUEL TANK (EBONY GRAY ME.)	1	
10	17512-KCC-900	STOPPER, TANK LID	2	
11	17525-KCC-900	SPACER, FUEL TANK LID	1	
12	17611-KFN-850	CUSHION, FR. FUEL TANK	2	
13	17613-KCC-900	CUSHION, RR. TANK	1	
14	17620-AAE-101	CAP COMP. FUEL FILLER	1	
15	37800-AAE-30099	UNIT ASSY. FUEL	1	
16	90071-MB0-000	NUT, WASHER, 6 MM	1	
17	96001-06010-07	BOLT FLANGE, SH., 6 X 10	6	
18	37230-KWH-H01	LOCK FILLER LID	1	
19	75581-673-000	SET SPRING, LOCK KEY	1	
20	83551-300-000	GROMMET, AIR CLEANER CASE	2	
21	90324-KCC-900	COLLAR, 8 MM	1	
22	90325-KCC-900	WASHER, PLAIN, 8 MM	1	
23	91305-MC7-000	O-RING, 39.5 X 5	1	
24	93500-05006-0A	SCREW PAN 5X6	2	

25	94050-06000	NUT, FLANGE, 6 MM	4
----	-------------	-------------------	---

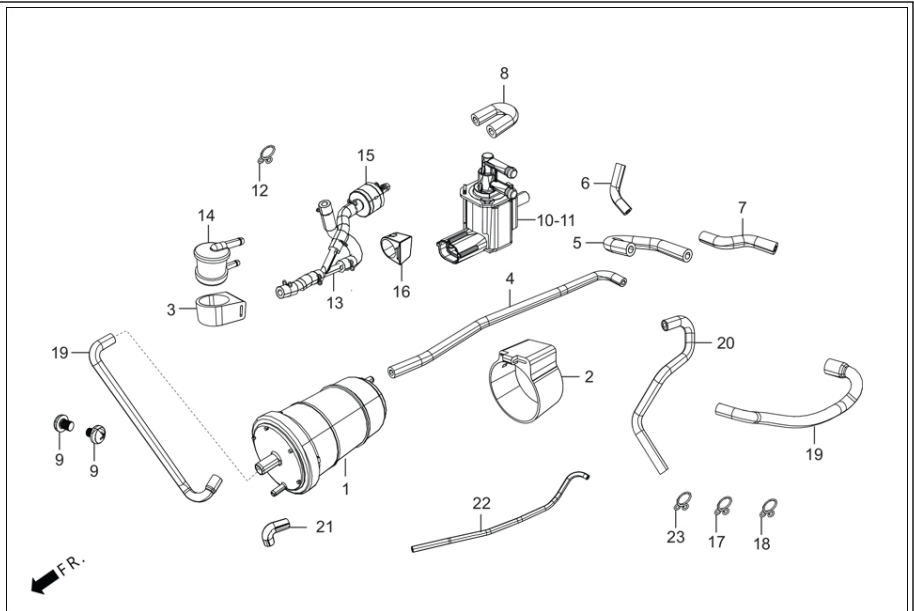
F-13-SELF-i3S FUEL TANK



Service Item	F.R.T.	Group Number: F-13-SELF-i3S Model :: Splendor+ iBS BSVI (Feb, 2020)		
Ref No.	Part Number	Description	Req.	
1	16700-AAE-300	UNIT ASSY FUEL PUMP	1	
2	16701-AAE-300	FUEL PUMP FILTER	1	
3	16702-AAL-901	FUEL PUMP O-RING	1	
4	17572-AAE-300	GASKET FUEL PUMP	1	
5	17507-AAE-300	PLATE SETTING	1	
6	17520-AAE-300R	SET, FUEL TANK (BLACK NH-1) TYPE-1	1	
	17520-AAE-300S	SET, FUEL TANK (BLACK NH-1) TYPE-2	1	
	17520-AAE-300T	SET, FUEL TANK (BLACK NH-1) TYPE-3	1	
	17520-AAE-300U	SET, FUEL TANK (EBONY GRAY ME.)	1	
6A	17520-AAE-3054	SET, FUEL TANK (BLACK NH-1) TYPE-4	1	
7	17570-AAE-30099	HOSE COMP. FUEL FEED	1	
8	95701-08035-00	BOLT, FLANGE, 8 X 35	1	
9	17511-KCC-905ZB	LID COMP, FUEL TANK (BLACK)	1	
	17514-AAE-300U	LID COMP. FUEL TANK (EBONY GRAY ME.)	1	
10	17512-KCC-900	STOPPER, TANK LID	2	
11	17525-KCC-900	SPACER, FUEL TANK LID	1	
12	17611-KFN-850	CUSHION, FR. FUEL TANK	2	
13	17613-KCC-900	CUSHION, RR. TANK	1	
14	17620-AAE-101	CAP COMP. FUEL FILLER	1	
15	37800-AAE-30099	UNIT ASSY. FUEL	1	
16	90071-MB0-000	NUT, WASHER, 6 MM	1	
17	96001-06010-07	BOLT FLANGE, SH., 6 X 10	6	
18	37230-KWH-H01	LOCK FILLER LID	1	
19	75581-673-000	SET SPRING, LOCK KEY	1	
20	83551-300-000	GROMMET, AIR CLEANER CASE	2	
21	90324-KCC-900	COLLAR, 8 MM	1	
22	90325-KCC-900	WASHER, PLAIN, 8 MM	1	
23	91305-MC7-000	O-RING, 39.5 X 5	1	

24	93500-05006-0A	SCREW PAN 5X6	2
25	94050-06000	NUT, FLANGE, 6 MM	4

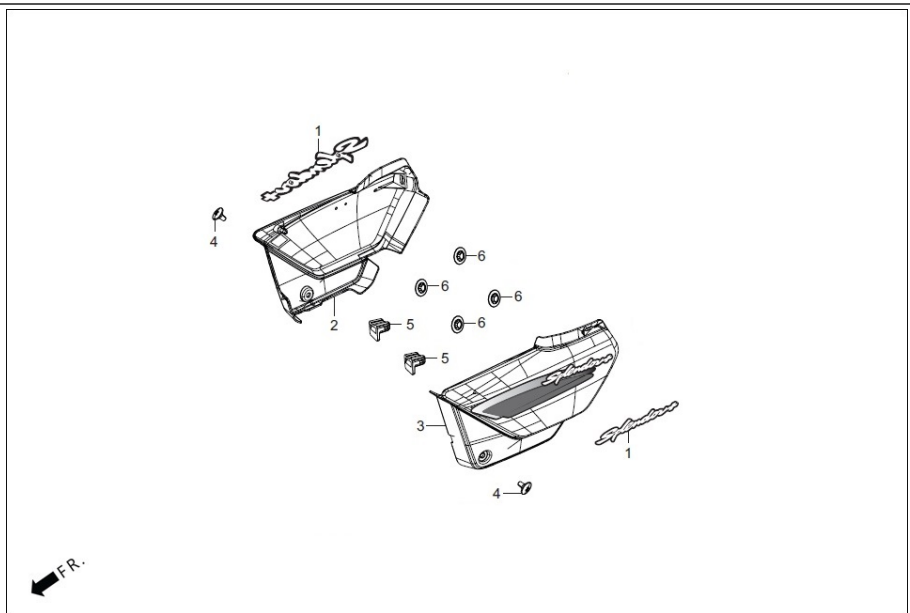
F-13A
CANISTER ASSY.



Service Item	F.R.T.	Group Number: F-13A Model :: Splendor+ iBS BSVI (Feb, 2020)			
		Ref No.	Part Number	Description	Req.
*COCK ASSY., FUEL	0.2	1	17410-AAC-700	CANISTER COMP	1
*SCREEN, FUEL STRAINER	--	2	17411-AAE-300	SUSP. CANISTER	1
*TANK SET, FUEL	0.3	3	17421-AAE-100	SUSP. ROLL OVER VALVE	1
* LID COMP., FUEL TANK	--	4	17691-AAE-300	TUBE A CANISTER	1
*UNIT ASSY., FUEL	--	5	17694-AAE-300	TUBE B J3W	1
		6	17690-AAE-300	TUBE A PIPE BREATHER	1
		7	17693-AAE-300	TUBE A J3W	1
		8	17695-AAH-A00	TUBE BREATHER OWV	1
		9	93500-05006-0A	SCREW PAN 5X6	2
		10	17554-AAR-101	PURGE SOLENOID VALVE	1
		11	17554-AAG-A01	PURGE SOLENOID VALVE	1
		12	95002-70000	CLIP, C11 TUBE	1
		13	17230-AAH-100	JOINT 3 WAY	1
		14	17420-AAD-A00	ROLL OVER VALVE	1
		15	17430-AAE-100	ONE WAY VALVE	1
		16	17432-AAE-100	SUSP. ONE WAY VALVE	1
		17	95002-02100	CLIP, B-10 TUBE	1
		18	95002-02130	CLIP B 12.5 TUBE	1
		19	17670-AAE-300	PURGE TUBE A	1
		20	17671-AAE-300	PURGE TUBE B	1
		21	17695-AAE-100	TUBE D CANISTER BREATHER	1
		22	17696-AAE-100	TUBE C CANISTER DRAIN	1
		23	95002-02080	CLIP, TUBE	12

F-14

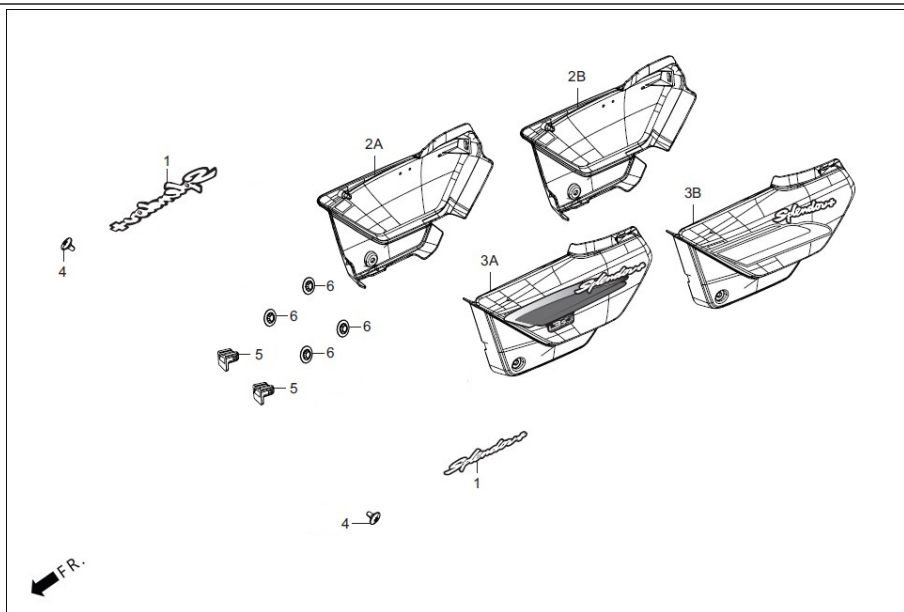
SIDE COVER



Service Item	F.R.T.	Group Number: F-14 Model :: Splendor+ iBS BSVI (Feb, 2020)		
Ref No.	Part Number	Description	Req.	
1	87117-AAE-100	EMBLEM, SIDE COVER	2	
2	83500-AAE-300R	SET, RSIDE COVER (BLACK NH-1) TYPE-1	1	
	83500-AAE-300S	SET, RSIDE COVER (BLACK NH-1) TYPE-2	1	
	83500-AAE-300T	SET, RSIDE COVER (BLACK NH-1) TYPE-3	1	
	83500-AAE-300U	SET, RSIDE COVER (EBONY GRAY ME.)	1	
3	83600-AAE-300R	SET, LSIDE COVER (BLACK NH-1) TYPE-1	1	
	83600-AAE-300S	SET, LSIDE COVER (BLACK NH-1) TYPE-2	1	
	83600-AAE-300T	SET, LSIDE COVER (BLACK NH-1) TYPE-3	1	
	83600-AAE-300U	SET, LSIDE COVER (EBONY GRAY ME.)	1	
4	90381-KWA-940	SCREW SPECIAL 6×13	2	
5	83502-KCC-900	GROMMET, SIDE COVER	2	
6	90313-172-000	NUT, SPEED ,4MM	4	

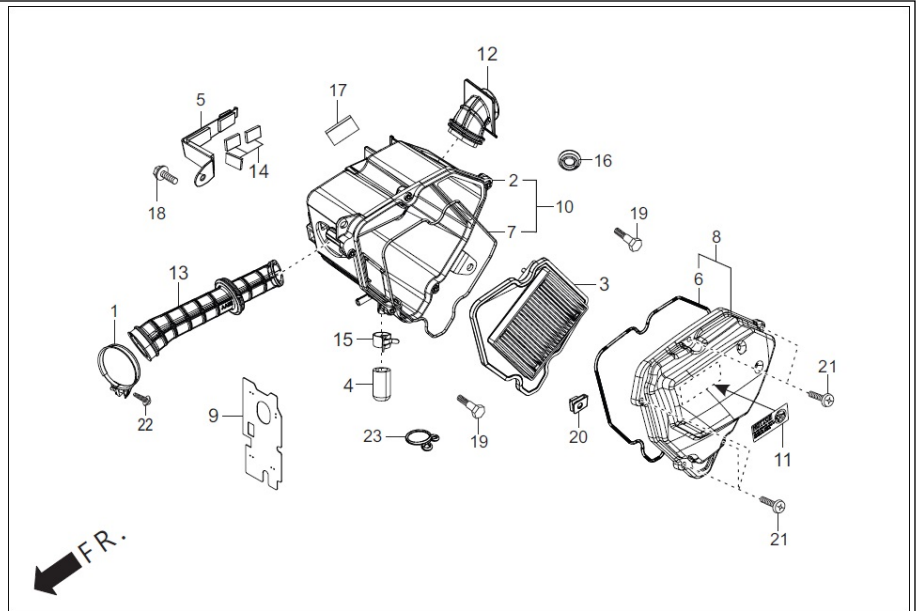
F-14-SELF-i3S

SIDE COVER



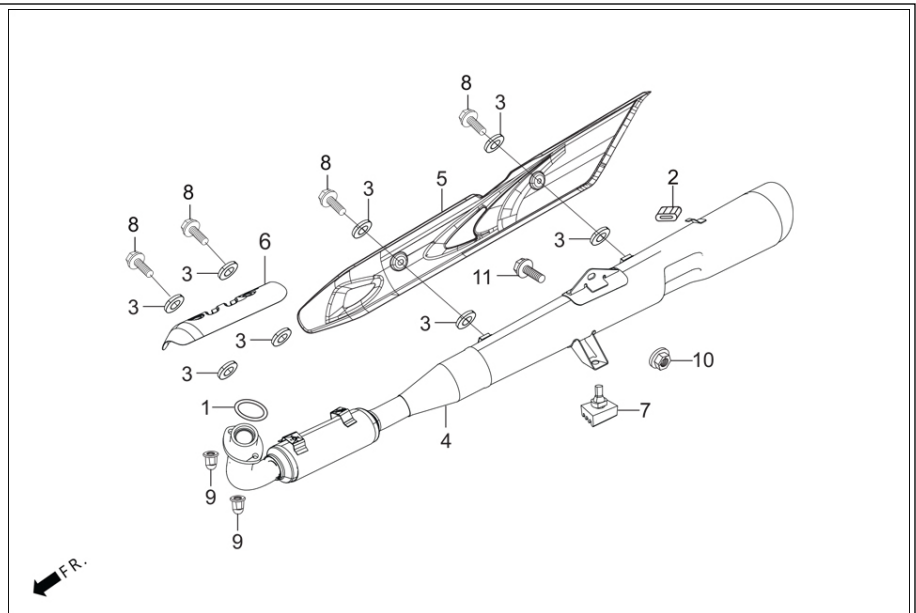
Service Item	F.R.T.	Group Number: F-14-SELF-i3S Model :: Splendor+ iBS BSVI (Feb, 2020)		
Ref No.	Part Number	Description	Req.	
1	87117-AAE-100	EMBLEM, SIDE COVER	2	
2A	83500-AAE-310R	SET, RSIDE COVER (BLACK NH-1) TYPE-1	1	
	83500-AAE-310S	SET, RSIDE COVER (BLACK NH-1) TYPE-2	1	
	83500-AAE-310T	SET, RSIDE COVER (BLACK NH-1) TYPE-3	1	
	83500-AAE-310U	SET, RSIDE COVER (EBONY GRAY ME.)	1	
2B	83500-AAE-2054	SET, RSIDE COVER (BLACK NH-1) TYPE-4	1	
3A	83600-AAE-310R	SET, LSIDE COVER (BLACK NH-1) TYPE-1	1	
	83600-AAE-310S	SET, LSIDE COVER (BLACK NH-1) TYPE-2	1	
	83600-AAE-310T	SET, LSIDE COVER (BLACK NH-1) TYPE-3	1	
	83600-AAE-310U	SET, LSIDE COVER (EBONY GRAY ME.)	1	
3B	83600-AAE-1054	SET L SIDE COVER	1	
4	90381-KWA-940	SCREW SPECIAL 6×13	2	
5	83502-KCC-900	GROMMET, SIDE COVER	2	
6	90313-172-000	NUT, SPEED ,4MM	4	

F-15
AIR CLEANER



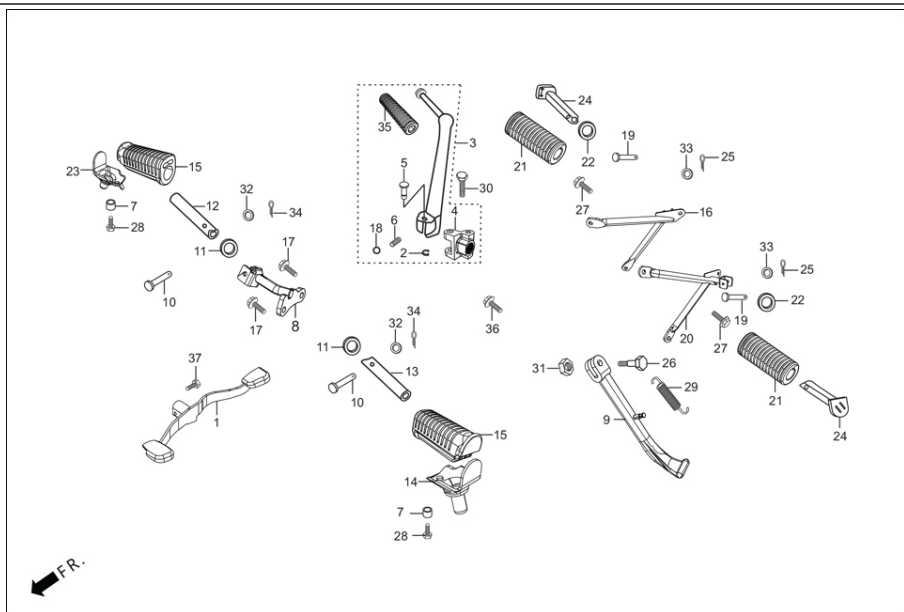
Service Item	F.R.T.	Group Number: F-15 Model :: Splendor+ iBS BSVI (Feb, 2020)			
		Ref No.	Part Number	Description	Req.
* ELEMENT 'A' AIR CLEANER	0.2	1	95018-50250	BAND 50 AIR/C CONN.TUBE	1
* HOLDER, ELEMENT	--	2	17210-ACK-000	CASE COMP., AIR/C	1
* ELEMENT 'B' AIR CLEANER	--	3	17208-AAT-000	HOLDER COMP ELEMENT	1
* COVER, AIR CLEANER CASE	--	4	17227-ACK-000	V.TUBE 11X15X27	1
* WATER GUARD, FR.	--	5	17214-ACK-000	BAND, BATTERY	1
* DUCT, AIR CLEANER INLET	--	6	17218-AAT-000	SEAL AIR CLEANER CASE	1
* TUBE, AIR CLEANER CONNECTING	--	7	17219-KTC-900	SEAL, A/I CLEANER	1
		8	17235-ACK-000	COVER SUB ASSY. AIR CLEANER	1
		9	17224-AAE-300	WATER GUARD, FRONT	1
		10	17225-ACK-000	CASE SUB ASSY., AIR/C	1
		11	87509-AAP-000	LABEL AIR/C ELEMENT NOTICE	1
		12	17251-ACK-000	DUCT, AIR/C, INLET	1
		13	17253-AAE-300	TUBE, AIR CLEANER CONNECTING	1
		14	83407-ACK-000	CUSHION BATTERY	3
		15	91406-KFN-850	CLAMP, D14.5 TUBE	1
		16	32712-KWH-970	GROMMET BREATHER TUBE	1
		17	83407-KTR-940	RUBBER, BATTERY	1
		18	90101-KWA-830	BOLT FLANGE 6X18	1
		19	90111-187-000	BOLT, FLANGE. 6 MM	2
		20	90311-MT3-000	NUT, CLIP, 6 MM	1
		21	93893-05025-00	SCREW WASHER 5X25	5
		22	93500-04025-0G	SCREW, PAN, 4X25	1
		23	95002-80000	CLIP,C12 TUBE	1

F-16
MUFFLER



Service Item	F.R.T.	Group Number: F-16 Model :: Splendor+ iBS BSVI (Feb, 2020)			
		Ref No.	Part Number	Description	Req.
*COVER, EXH. PIPE	0.1	1	18291-KTC-900	GASKET, EXHAUST PIPE	1
*GASKET, EXH. PIPE	--	2	18293-KPK-900	RUBBER, PKG. PROTECTOR	1
*MUFFLER COMP., EXH	0.3	3	18292-KTP-900	PACKING, PROTECTOR	8
		4	18350-ACK-000	MUFFLER COMP., EXH.	1
		5	18355-AAE-300	COVER, MUFFLER	1
		6	18331-ACK-000	COVER CAT PROTECTOR	1
		7	50505-KCC-900	STOPPER RUBBER, A STAND	1
		8	96001-06010-02	BOLT, FLANGE, SH. 6X10	4
		9	90304-438-000	NUT, HEX. CAP, 6 MM	2
		10	94050-08000	NUT, FLANGE, 8MM	1
		11	95701-08016-00	BOLT, FLANGE, 8X16	1

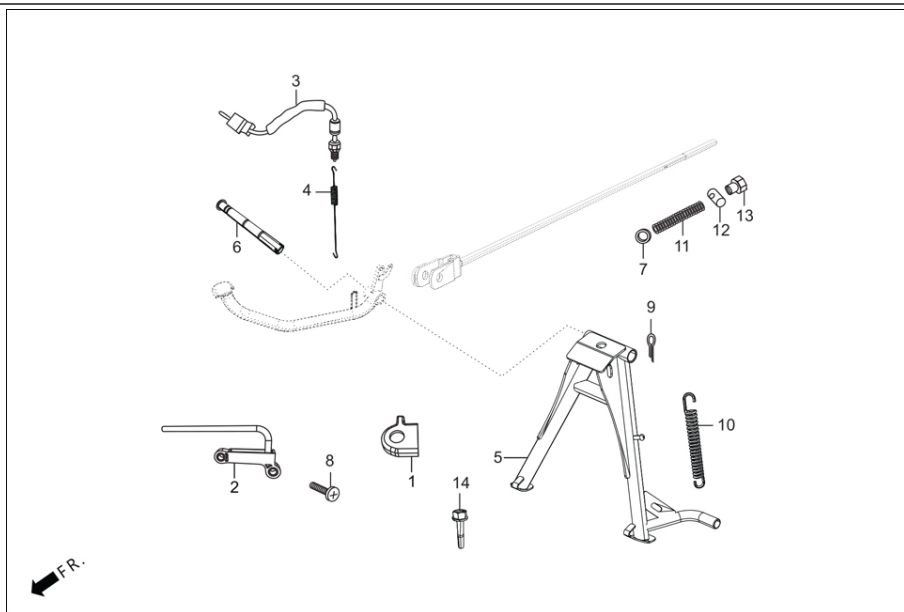
F-17
STEP ASSY./SELF STARTER/GEAR
CHANGE PEDAL/SIDE STAND/PILLION
STEP.



Service Item	F.R.T.	Group Number: F-17 Model :: Splendor+ iBS BSVI (Feb, 2020)			
		Ref No.	Part Number	Description	Req.
*PEDAL, GEAR CHANGE	0.1	1	24701-AAE-300	PEDAL, GEAR CHANGE	1
*ARM, SELF STARTER	--	2	28293-KAG-900	CLIP, KICK STARTER	1
*BAR COMP., SIDE STAND	--	3	2830A-KST-A10	ARM SUB ASSY, KICK STARTER	1
*BRACKET COMP., R/L P./STEP	--	4	28302-KST-A10	JOINT, KICK ARM	1
*STEP, RUBBER PILLION	--	5	28321-KTC-900	PIN, KICK STARTER	1
		6	28333-124-000	SPRING, KICK STARTER STOPPER	1
		7	37243-323-000	COLLAR , METER SET	2
		8	50160-ACK-000	BRACKET COMP., RSTEP	1
		9	50530-KCC-900	BAR COMP. SIDE STAND	1
		10	50603-AAG-300	PIN MAIN STEP BAR JOINT	2
		11	50614-413-000	WASHER, MAIN STEP	2
		12	50618-KCC-000	BAR R STEP	1
		13	50619-KCC-000	BAR L STEP	1
		14	50619-425-010	STOPPER, STEP RUBBER	2
		15	50661-425-670	RUBBER STEP	2
		16	50701-KWA-830	BRACKET COMP, RPILLION STEP	1
		17	95701-08016-07	BOLT FLANGE, 8 X 16	2
		18	96211-08000	BALL STEEL 8 MM	1
		19	50603-ACK-000	PIN STEP BAR JOINT	2
		20	50702-KST-940	BRACKET COMP. L PILLION STEP	1
		21	50711-198-720	RUBBER, STEP PILLION	2
		22	50712-405-000	WASHER, PILLION STEP	2
		23	50620-KTC-900	STOPPER, R STEP RUBBER	1
		24	50715-405-000	BAR COMP., STEP PILLION	2
		25	94201-16121	PIN, SPLIT, 1.6 X 12	2
		26	90107-AAD-000	SCREW, SIDE STAND PIVOT	1
		27	95801-10045	BOLT FLANGE, 10 X 45	2
		28	92000-06016-0A	BOLT, HEX., 6 X 16	2

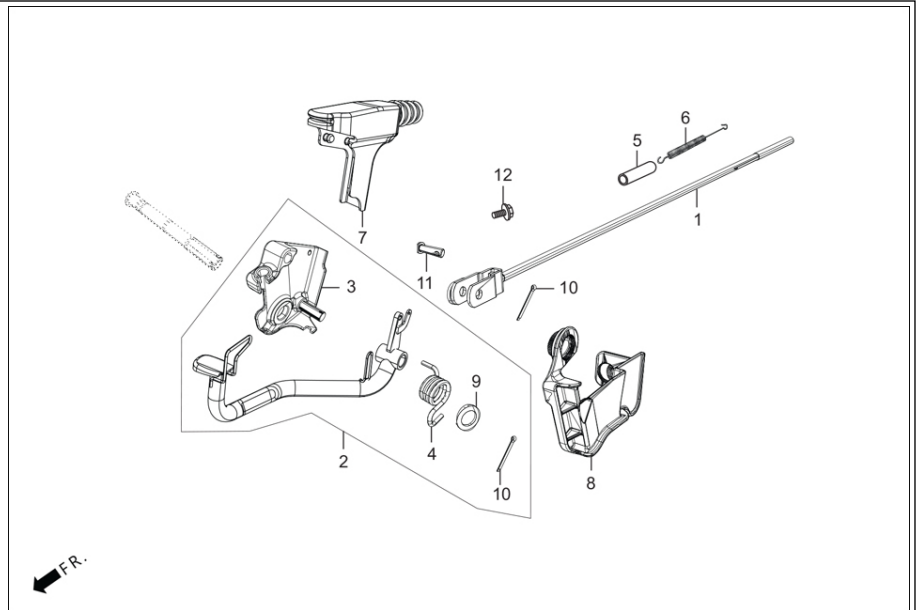
29	95014-72302	SPRING, C SIDE STAND	1
30	92101-06032-0A	BOLT, FLANGE, 6 X 32	1
31	94030-10000	NUT HEX., 10MM	1
32	94101-06000	WASHER, PLAIN, 6 MM	2
33	94101-08000	WASHER, PLAIN, 8MM	2
34	94201-16150	PIN, SPLIT, 1.6 X 15	2
35	95011-51000	RUBBER, A KICK STARTER	1
36	95701-08040-00	BOLT, FLANGE, 8 X 40	1
37	92000-06020-0A	BOLT, HEX, 6 X 20	1

F-18
MAIN STAND/PEDAL BRAKE



Service Item	F.R.T.	Group Number: F-18 Model :: Splendor+ iBS BSVI (Feb, 2020)			
		Ref No.	Part Number	Description	Req.
*SWITCH ASSY., RR. STOP	0.2	1	35130-AAD-00099	MAGNET HOLDER	1
*ROD COMP., RR. BRAKE	0.3	2	35140-AAD-00099	SENSOR ASSY SIDE STAND	1
*PEDAL, BRAKE	0.5	3	35350-KWA-940	SWITCH ASSY., REAR STOP (SELF)	1
*SPRING, BRAKE PEDAL	0.1	4	35357-AAH-F00	SPRING, STOP SWITCH	1
*STAND COMP., MAIN	0.4	5	50500-AAE-300	STAND COMP MAIN	1
		6	50512-AAH-F00	PIPE, RR. BRAKE PIVOT	1
		7	90502-198-900	WASHER , BRAKE ROD	1
		8	93891-05014-10	SCREW WASH,5X14	1
		9	94201-30250	PIN, SPLIT, 3.0 X 25	1
		10	95014-71702	SPRING G MAIN STAND	1
		11	95014-73100	SPRING A BRAKE ROD	1
		12	95015-32001	JOINT B BRAKE ARM	1
		13	95015-42000	NUT B ADJUST	1
		14	95701-08040-00	BOLT, FLANGE, 8 X 40	1

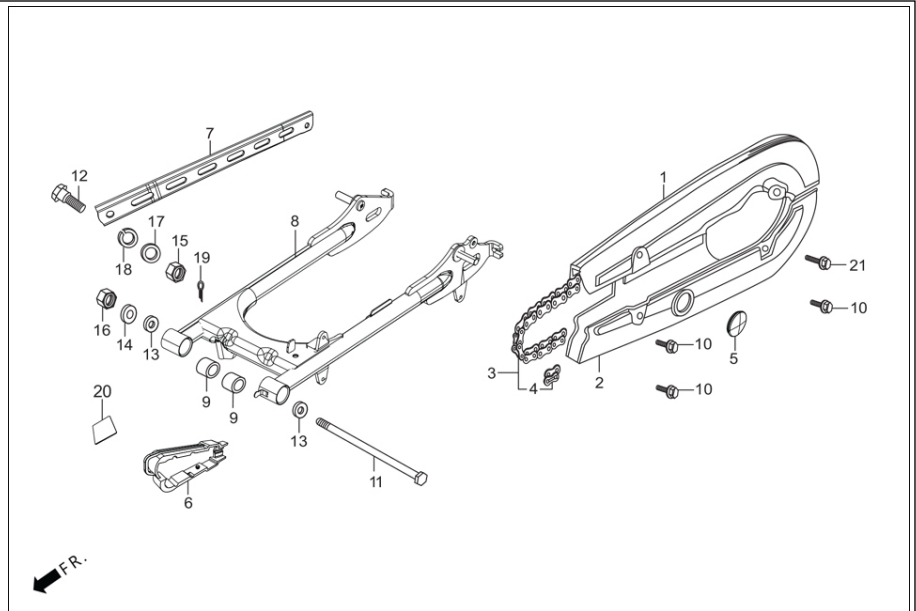
F-18A
CBS ASSY.



Service Item	F.R.T.
*SWITCH ASSY., RR. STOP	0.2
*ROD COMP., RR. BRAKE	0.3
*PEDAL, BRAKE	0.5
*SPRING, BRAKE PEDAL	0.1
*STAND COMP., MAIN	0.4

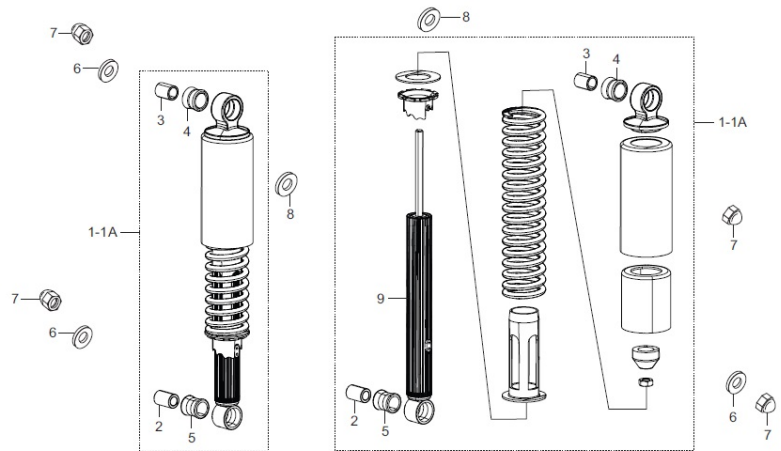
Group Number: F-18A Model :: Splendor+ iBS BSVI (Feb, 2020)			
Ref No.	Part Number	Description	Req.
1	43451-AAH-F00	ROD COMP., RR BRAKE	1
2	46544-ACK-000	RR BRAKE PEDAL & ROD SUB ASSY	1
3	46513-AAG-900	CASING CBS	1
4	46515-AAH-F00	SPRING LEVER DELAY	1
5	46515-KB9-000	TUBE , BRAKE PEDAL SPRING	1
6	46518-AAH-F00	SPRING, BRAKE PEDAL	1
7	46519-AAG-900	CBS DUST BOOT	1
8	46522-AAH-F00	CBS COVER ASSY	1
9	90545-AAH-F00	WASHER CASING PIVOT	1
10	94201-20150	PIN, SPLIT, 2.0 X 15	2
11	95015-AAH-F00	PIN, CJOINT	1
12	95701-06008-00	BOLT, FLANGE, 6X8	1

F-19
SWINGARM/CHAIN CASE



Service Item	F.R.T.	Group Number: F-19 Model :: Splendor+ iBS BSVI (Feb, 2020)			
		Ref No.	Part Number	Description	Req.
		1	40510-AAE-200	CASE, UPPER (HALF) DRIVE CHAIN	1
		2	4052A-AAE-200	CHAIN CASE UND HALF SUB ASSY	1
		3	40530-KST-940	CHAIN DRIVE (420-108)	1
		4	40531-KTE-910	JOINT RJ.DRIVE CHAIN	1
		5	40545-001-000	CAP, CHAIN PEEP HOLE	1
		6	52170-KST-940	SLIDER CHAIN	1
		7	43431-AAH-F00	ARM, RR. BRAKE STOPPER	1
		8	52110-AAE-300	SWINGARM COMP., RR.	1
		9	52147-KTC-900	RUBBER BUSH, RR. FORK PIVOT	2
		10	90118-383-000	BOLT, WASHER, 6 X6	3
		11	52101-KST-940	BOLT, SWING ARM PIVOT	1
		12	90133-331-770	BOLT, HEX., 8MM	1
		13	90183-KTC-900	WASHER, SPL., 12 MM	2
		14	90551-178-000	WASHER,SPL., 10MM	1
		15	94001-08000-0S	NUT, HEX., 8 MM	1
		16	94030-10000	NUT HEX., 10MM	1
		17	94101-08000	WASHER, PLAIN, 8MM	1
		18	94111-10000	WASHER, SPRING, 10MM	1
		19	94201-20150	PIN, SPLIT, 2.0 X 15	1
		20	52133-AAH-F00	FILM, PROTECTOR	1
		21	95701-06010-00	BOLT, FLANGE, 6 X 10	1

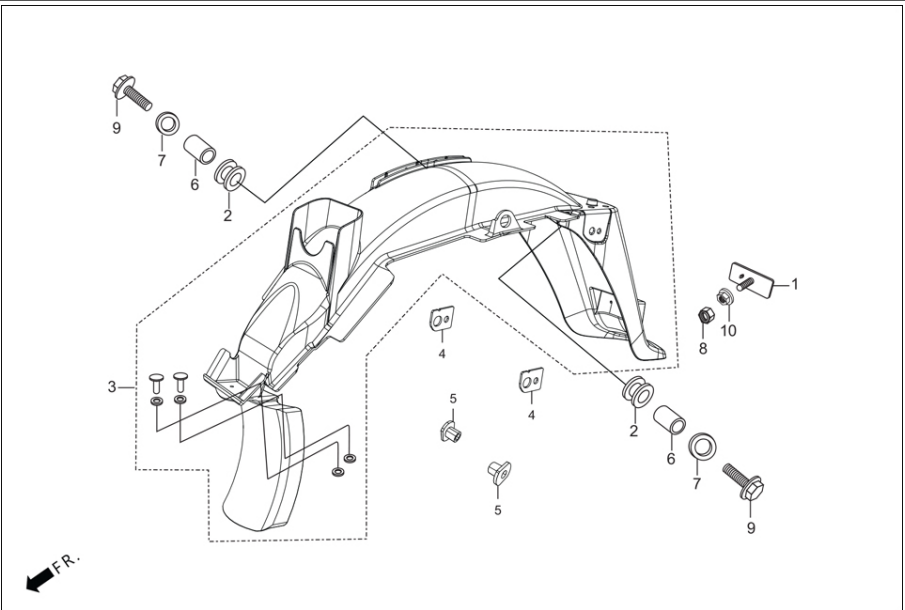
F-20 REAR CUSHION



← F.R.

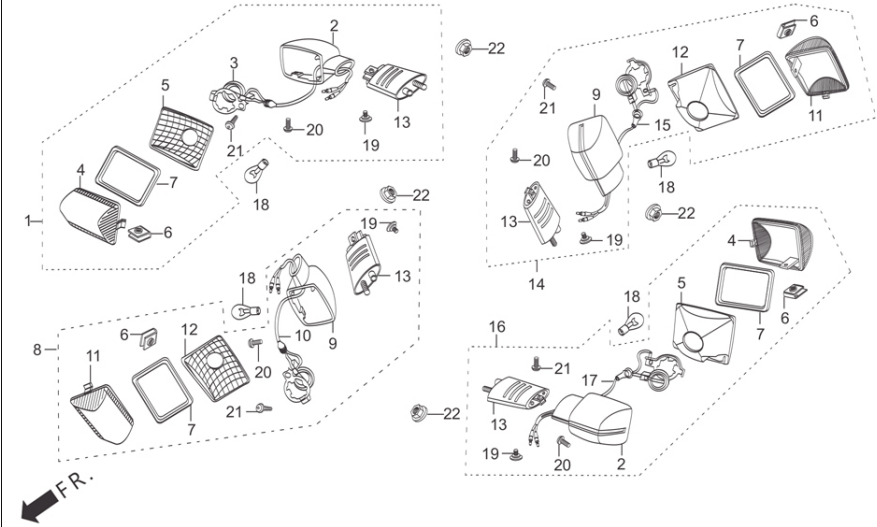
Service Item	F.R.T.	Group Number: F-20 Model :: Splendor+ iBS BSVI (Feb, 2020)			
		Ref No.	Part Number	Description	Req.
		1	52400-KWH-9099R	CUSHION ASSY., REAR (BLACK)	2
			52400-AAE-301U	CUSHION ASSY., REAR (EBONY GRAY ME.)	2
		1A	52400-KWH-961ZA	CUSHION ASSY RR(BLACK,NH-1(TYPE-1)	2
			52400-AAE-300U	CUSHION ASSY., REAR (EBONY GRAY ME.)	2
		2	52486-KAG-900	COLLAR ,RUBBER BUSH (UNDER)	2
		3	52486-KTN-701	COLLAR, RUBBER BUSH (UPPER)	2
		4	52489-399-600	BUSH ,RUBBER (UPPER)	2
		5	52495-098-000	BUSH, RUBBER (UNDER)	2
		6	90551-178-000	WASHER,SPL., 10MM	3
		7	94021-10000-0S	NUT, HEX., CAP, 10MM	4
		8	94101-12800	WASHER,PLAIN ,12 MM	2
		9	52410-KCC-871	DAMPER COMP., REAR	2

F-21
REAR FENDER



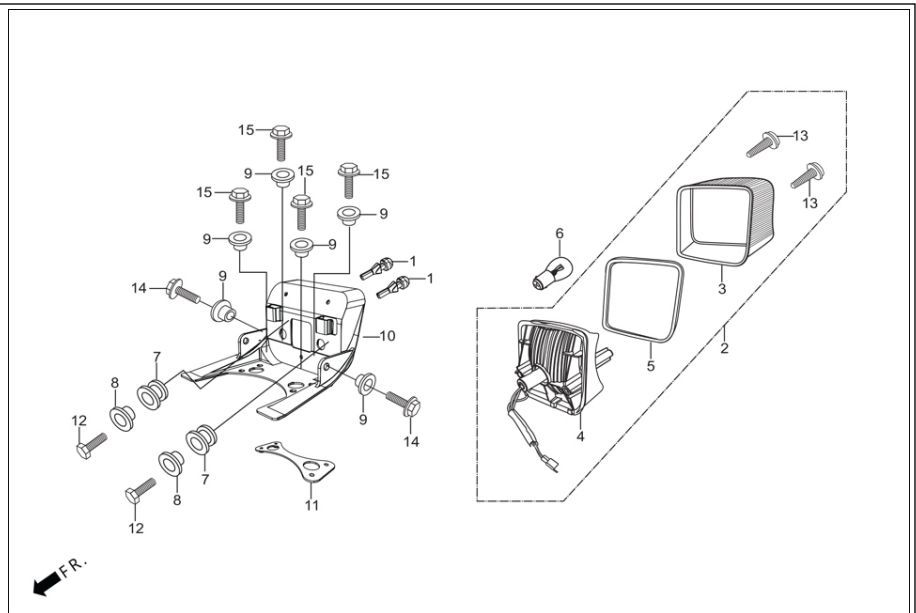
Service Item	F.R.T.	Group Number: F-21 Model :: Splendor+ iBS BSVI (Feb, 2020)			
		Ref No.	Part Number	Description	Req.
*FENDER COMP., RR.	0.6	1	33741-KST-920	REFLEX REFLECTOR	1
*BRAKET NO. PLATE	--	2	77202-KCC-900	RUBBER, SEAT MOUNTING	2
*PLATE RR. WINKER SET	--	3	80100-AAE-300	FENDER, COMP., RR.	1
		4	80103-AAE-300	PLATE RR WINKER	2
		5	90311-AAA-000	NUT REAR FENDER	2
		6	84702-KCC-900	COLLAR, STAY NO. PLATE SET	2
		7	90563-355-000	WASHER, WHEEL, 6 MM	2
		8	94002-06000-0S	NUT, HEX 6MM	1
		9	95701-06020-00	BOLT, FLANGE, 6X20	2
		10	94050-06000	NUT, FLANGE, 6 MM	1

F-22
WINKERS



Service Item	F.R.T.	Group Number: F-22 Model :: Splendor+ iBS BSVI (Feb, 2020)			
		Ref No.	Part Number	Description	Req.
*WINKER ASSY., R/L (ADD FOR EACH)	0.2 --	1	3340A-KCC-710	WINKER ASSY R FR(W/O BULB)	1
(INC. RELATIVE PART)	--	2	33401-KCC-830	BASE, WINKER, R FR./L RR.	2
*WINKER ASSY., R/L RR (ONE OR ALL)	0.3 --	3	33401-KCC-900	CORD COMP., WINKER R FR	1
(INC. RELATIVE PART)	--	4	33402-KCC-710	LENS, WINKER R FR.	2
(EXC. RELATED PARTS BELOW)	--	5	33403-KCC-830	REFLECTOR, WINKER R FR./L RR	2
*BULB, WINKER	0.1	6	33407-KCC-900	SPECIAL NUT	4
*WHEN SERVICING COMP., NUNIT (F.R.T. IS)	-- --	7	33408-KCC-830	PACKING, LENS WINKER	4
		8	3345A-KCC-710	WINKER ASSY. L FR.	1
		9	33451-KCC-830	BASE, WINKER L FR./R RR	2
		10	33451-KCC-900	CORD COMP., WINKER L FR	1
		11	33452-KCC-710	LENS, WINKER, L FR.	2
		12	33453-KCC-830	REFLECTOR, WINKER L FR./R RR	2
		13	33490-KCC-900	STAY COMP., WINKER	4
		14	3360A-KCC-710	WINKER ASSY. R RR	1
		15	33601-KCC-900	CORD COMP., WINKER R RR	1
		16	3365A-KCC-710	WINKER ASSY. L RR	1
		17	33651-KCC-900	CORD COMP., WINKER L RR	1
		18	34904-KST-920	BULB, WINKER LIGHT (R10W)	4
		19	90380-MB2-000	SCREW, SPECIAL, 6 X 8	4
		20	93700-04012-1G	SCREW OVAL 4 X 12	4
		21	93901-34420	SCREW ,TAPPING,4 X 16	4
		22	94050-06000	NUT, FLANGE, 6 MM	4

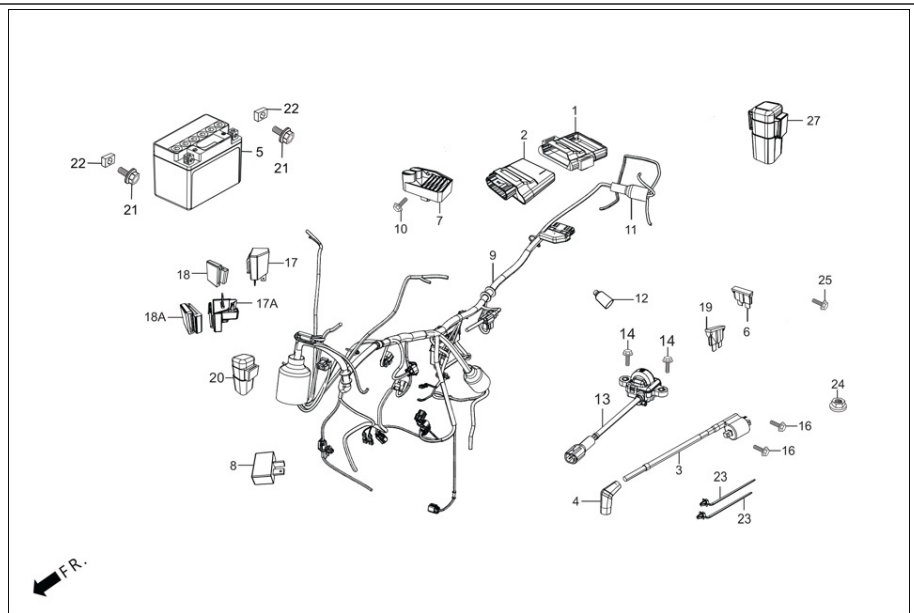
F-23 TAIL LIGHT



Service Item	F.R.T.	Group Number: F-23 Model :: Splendor+ iBS BSVI (Feb, 2020)			
		Ref No.	Part Number	Description	Req.
*TAIL LIGHT, ASSY.,	0.4	1	17512-KCC-900	STOPPER, TANK LID	2
* LENS, TAIL LIGHT	--	2	33701-KST-930	UNIT TAIL LIGHT	1
*BASE COMP., TAIL LIGHT	--	3	33702-KCC-830	LENS, TAIL LIGHT	1
*BULB, TAIL LIGHT	0.1	4	33704-KST-930	BASE COMP., TAIL LIGHT	1
		5	33709-KCC-830	PACKING, LENS	1
		6	34906-KST-920	BULB, TAIL LIGHT (R10/5W)	1
		7	61103-357-000	RUBBER FR. FENDER MOUNT	2
		8	61104-KM7-910	COLLAR,FAIRING	2
		9	61107-KK6-000	WASHER, 6MM	6
		10	80102-KCC-900	BASE , TAIL LIGHT	1
		11	80150-KCC-900	PLATE, REAR FENDER	1
		12	92000-05022-0A	BOLT, HEX, 5X22	2
		13	93901-24510	SCREW, TAPPING,4X20	2
		14	95701-06018-00	BOLT FLANGE 6X18	2
		15	96001-06016-00	BOLT, FLANGE SH. 6 X 16	4

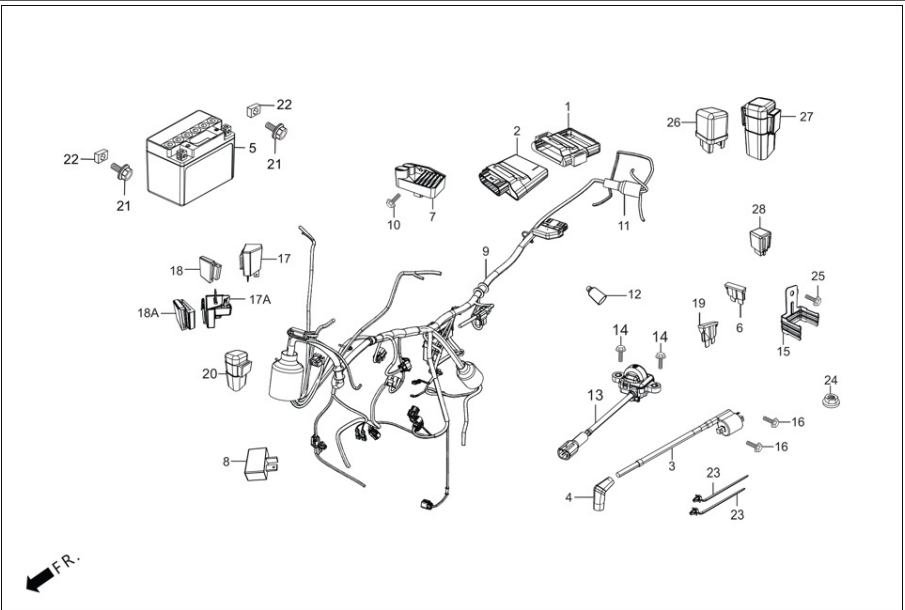
F-24-KICK

WIRE HARNESS/BATTERY



Service Item	F.R.T.	Group Number: F-24-KICK Model :: Splendor+ iBS BSVI (Feb, 2020)			
		Ref No.	Part Number	Description	Req.
		1	38771-AAE-300	CUSHION. PGM-FI/IGN UNIT	1
		2	38770-AAE-341	UNIT COMP. ECU (SELF, KICK)	1
		3	30510-AAE-30099	COIL ASSY., IGNITION	1
		4	30700-KSP-B01	CAP ASSY,NOISE SUPPRESSOR	1
		5	31500-KWS-801	BATTERY ASSY., MF3-BS	1
		6	98200-31500	BLADE, FUSE, 15A	1
		7	31600-AAW-B01	REG. RECT. COMP	1
			31600-ACK-001	REG. REC. COMP.	1
		8	31700-HMC-000	RECTIFIER	1
		9	32100-AAE-300	HARNESS, WIRE (KICK)	1
		10	95701-06016-00	BOLT, FLANGE, 6X16	1
		11	32108-GW6-700	COVER ,CONNECTOR	1
		12	32108-KE8-000	COVER ,CONNECTOR	1
		13	35160-AAE-31099	SENSOR ASSY BANK ANGLE	1
		14	90002-KRM-840	BOLT, FLANGE 5X14	1
		16	96001-06020-00	BOLT, FLANGE, SH. 6 X 20	2
		17	38301-AAJ-102	RELAY COMP. WINKER	1
		17A	38301-AAH-A01	RELAY COMP. WINKER	1
		18	38306-GE7-000	SUSPENSION, WINKER RELAY	1
		18A	38306-AAH-A01	SUSP. WINKER RELAY	1
		19	98200-31000	BLADE, FUSE 10A	1
		20	38506-KWA-840	SUSP. START RELAY	1
		21	90122-KVT-941	BOLT BATTERY TERMINAL	2
		22	90306-KVT-941	NUT BATTERY TERMINAL	2
		23	91540-AAN-410	CLIP, BAND HARN	2
		24	94050-06000	NUT, FLANGE, 6 MM	1
		25	95701-06012-00	BOLT, FLANGE, 6X12	1
		27	38506-AAH-A01	SUSP. START RELAY	1

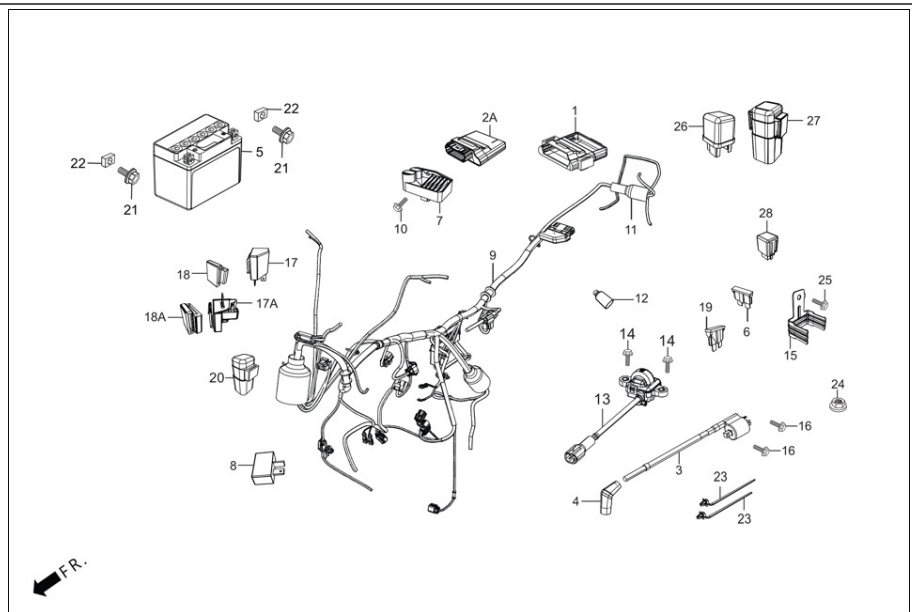
F-24-SELF
WIRE HARNESS/BATTERY



Service Item	F.R.T.	Group Number: F-24-SELF Model :: Splendor+ iBS BSVI (Feb, 2020)			
		Ref No.	Part Number	Description	Req.
		1	38771-AAE-300	CUSHION. PGM-FI/IGN UNIT	1
		2	38770-AAE-341	UNIT COMP. ECU (SELF, KICK)	1
		3	30510-AAE-30099	COIL ASSY., IGNITION	1
		4	30700-KSP-B01	CAP ASSY,NOISE SUPPRESSOR	1
		5	31500-KVT-801	BATTERY, ASSY.	1
		6	98200-31500	BLADE, FUSE, 15A	1
		7	31600-AAW-B01	REG. RECT. COMP	1
			31600-ACK-001	REG. REC. COMP.	1
		8	31700-HMC-000	RECTIFIER	1
		9	32100-AAE-340	WIRE, HARNESS (SELF)	1
		10	95701-06016-00	BOLT, FLANGE, 6X16	1
		11	32108-GW6-700	COVER ,CONNECTOR	1
		12	32108-KE8-000	COVER ,CONNECTOR	1
		13	35160-AAE-31099	SENSOR ASSY BANK ANGLE	1
		14	90002-KRM-840	BOLT, FLANGE 5X14	1
		15	50150-AAH-810	STAY, ST/RELAY	1
		16	96001-06020-00	BOLT, FLANGE, SH. 6 X 20	2
		17	38301-AAJ-102	RELAY COMP. WINKER	1
		17A	38301-AAH-A01	RELAY COMP. WINKER	1
		18	38306-GE7-000	SUSPENSION, WINKER RELAY	1
		18A	38306-AAH-A01	SUSP. WINKER RELAY	1
		19	98200-31000	BLADE, FUSE 10A	1
		20	38506-KWA-840	SUSP. START RELAY	1
		21	90122-KVT-941	BOLT BATTERY TERMINAL	2
		22	90306-KVT-941	NUT BATTERY TERMINAL	2
		23	91540-AAN-410	CLIP, BAND HARN	2
		24	94050-06000	NUT, FLANGE, 6 MM	1
		25	95701-06012-00	BOLT, FLANGE, 6X12	1

26	38501-AAW-301	RELAY COMP. START	1
27	38506-AAH-A01	SUSP. START RELAY	1
28	38501-KWH-971	RELAY COMP,START	1

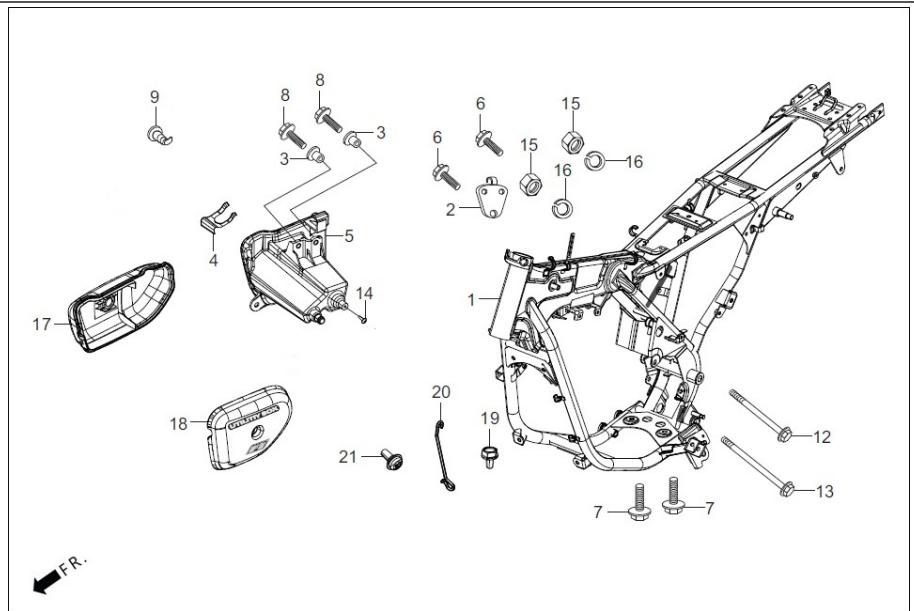
F-24-SELF-i3S
WIRE HARNESS/BATTERY



Service Item	F.R.T.	Group Number: F-24-SELF-i3S Model :: Splendor+ iBS BSVI (Feb, 2020)		
Ref No.	Part Number	Description	Req.	
1	38771-AAE-300	CUSHION. PGM-FI/IGN UNIT	1	
2A	38770-AAE-311	UNIT COMP. ECU (SELF I3S)	1	
3	30510-AAE-30099	COIL ASSY., IGNITION	1	
4	30700-KSP-B01	CAP ASSY,NOISE SUPPRESSOR	1	
5	31500-KVT-801	BATTERY, ASSY.	1	
6	98200-31500	BLADE, FUSE, 15A	1	
7	31600-AAW-B01	REG. RECT. COMP	1	
	31600-ACK-001	REG. REC. COMP.	1	
8	31700-HMC-000	RECTIFIER	1	
9	32100-AAE-310	HARNESS, WIRE (I3S)	1	
10	95701-06016-00	BOLT, FLANGE, 6X16	1	
11	32108-GW6-700	COVER ,CONNECTOR	1	
12	32108-KE8-000	COVER ,CONNECTOR	1	
13	35160-AAE-31099	SENSOR ASSY BANK ANGLE	1	
14	90002-KRM-840	BOLT, FLANGE 5X14	1	
15	50150-AAH-810	STAY, ST/RELAY	1	
16	96001-06020-00	BOLT, FLANGE, SH. 6 X 20	2	
17	38301-AAJ-102	RELAY COMP. WINKER	1	
17A	38301-AAH-A01	RELAY COMP. WINKER	1	
18	38306-GE7-000	SUSPENSION, WINKER RELAY	1	
18A	38306-AAH-A01	SUSP. WINKER RELAY	1	
19	98200-31000	BLADE, FUSE 10A	1	
20	38506-KWA-840	SUSP. START RELAY	1	
21	90122-KVT-941	BOLT BATTERY TERMINAL	2	
22	90306-KVT-941	NUT BATTERY TERMINAL	2	
23	91540-AAN-410	CLIP, BAND HARN	2	
24	94050-06000	NUT, FLANGE, 6 MM	1	
25	95701-06012-00	BOLT, FLANGE, 6X12	1	

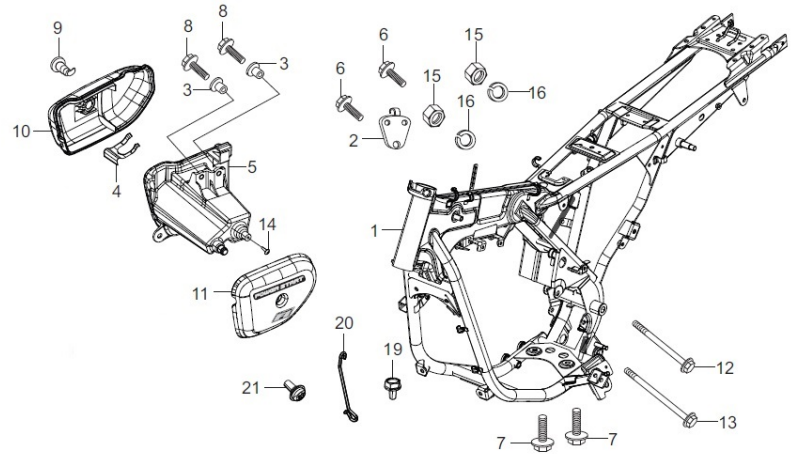
26	38501-AAW-301	RELAY COMP. START	1
27	38506-AAH-A01	SUSP. START RELAY	1
28	38501-KWH-971	RELAY COMP,START	1

F-25-KICK
FRAME BODY/UTILITY BOX



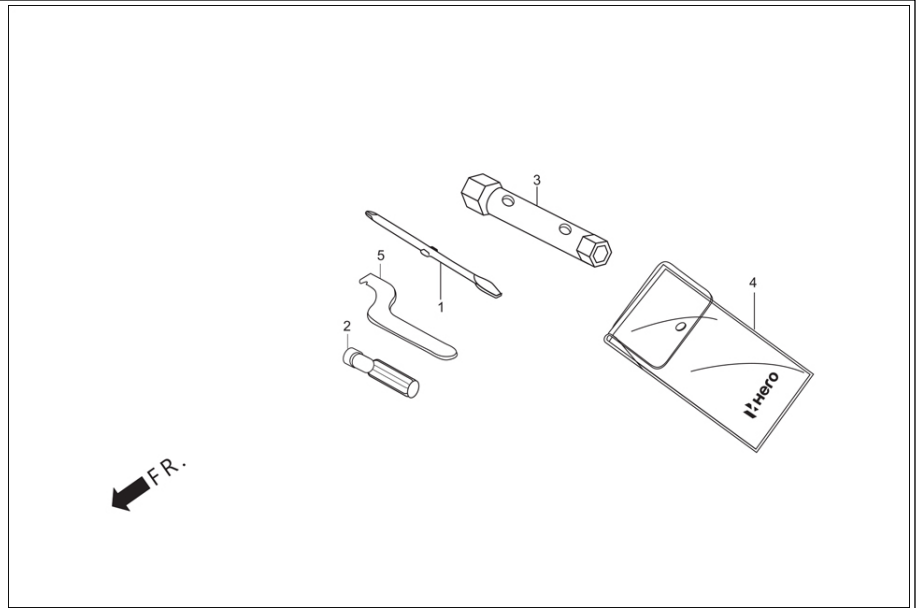
Service Item	F.R.T.	Group Number: F-25-KICK Model :: Splendor+ iBS BSVI (Feb, 2020)			
		Ref No.	Part Number	Description	Req.
*BODY COMP., FRAME	5.0	1	50100-AAE-300	FRAME BODY COMP.	1
*UTILITY BOX COMP. (INC. RELATIVE PART)	--	2	50211-KCC-900	PLATE, ENGINE HANGER	1
	--	3	61107-KK6-000	WASHER, 6MM	2
		4	75581-673-000	SET SPRING, LOCK KEY	1
		5	83510-AAE-300	UTILITY BOX COMP. (KICK, SELF),	1
		6	95701-08016-00	BOLT, FLANGE, 8X16	2
		7	90121-AAD-500	BOLT FLANGE 8 X 16	2
		8	95701-06016-07	BOLT, FLANGE, 6 X 16	2
		9	83550-AAA-001	LOCK, SIDE COVER	1
		12	90116-KCC-900	BOLT FLANGE, 8 X 97	1
		13	90117-KCC-900	BOLT, FLANGE, 8 X 110	1
		14	93913-25280	SCREW TAPPING 5 X 12	1
		15	94050-08000	NUT, FLANGE, 8MM	2
		16	94111-08000	WASHER, SPRING, 8MM	2
		17	83700-AAE-300	SET, RUTILITY BOX COVER (KICK)	1
		18	83800-AAE-300	SET, LUTILITY BOX COVER (KICK)	1
		19	95701-06012-07	BOLT, FLANGE, 6X12	2
		20	50170-AAH-F00	GUIDE CBS CABLE	1
		21	90101-GE0-000	SCREW, HINGE PATCH	1

F-25-SELF
FRAME BODY/UTILITY BOX



Service Item	F.R.T.	Group Number: F-25-SELF Model :: Splendor+ iBS BSVI (Feb, 2020)			
		Ref No.	Part Number	Description	Req.
*BODY COMP., FRAME	5.0	1	50100-AAE-300	FRAME BODY COMP.	1
*UTILITY BOX COMP. (INC. RELATIVE PART)	--	2	50211-KCC-900	PLATE, ENGINE HANGER	1
	--	3	61107-KK6-000	WASHER, 6MM	2
		4	75581-673-000	SET SPRING, LOCK KEY	1
		5	83510-AAE-300	UTILITY BOX COMP. (KICK, SELF),	1
		6	95701-08016-00	BOLT, FLANGE, 8X16	2
		7	90121-AAD-500	BOLT FLANGE 8 X 16	2
		8	95701-06016-07	BOLT, FLANGE, 6 X 16	2
		9	83550-AAA-001	LOCK, SIDE COVER	1
		10	83700-AAE-310	SET, RUTILITY BOX COVER	1
		11	83800-AAE-310	SET, LUTILITY BOX COVER	1
		12	90116-KCC-900	BOLT FLANGE, 8 X 97	1
		13	90117-KCC-900	BOLT, FLANGE, 8 X 110	1
		14	93913-25280	SCREW TAPPING 5 X 12	1
		15	94050-08000	NUT, FLANGE, 8MM	2
		16	94111-08000	WASHER, SPRING, 8MM	2
		19	95701-06012-07	BOLT, FLANGE, 6X12	2
		20	50170-AAH-F00	GUIDE CBS CABLE	1
		21	90101-GE0-000	SCREW, HINGE PATCH	1

**F-26
TOOLS**



↙ F.R.

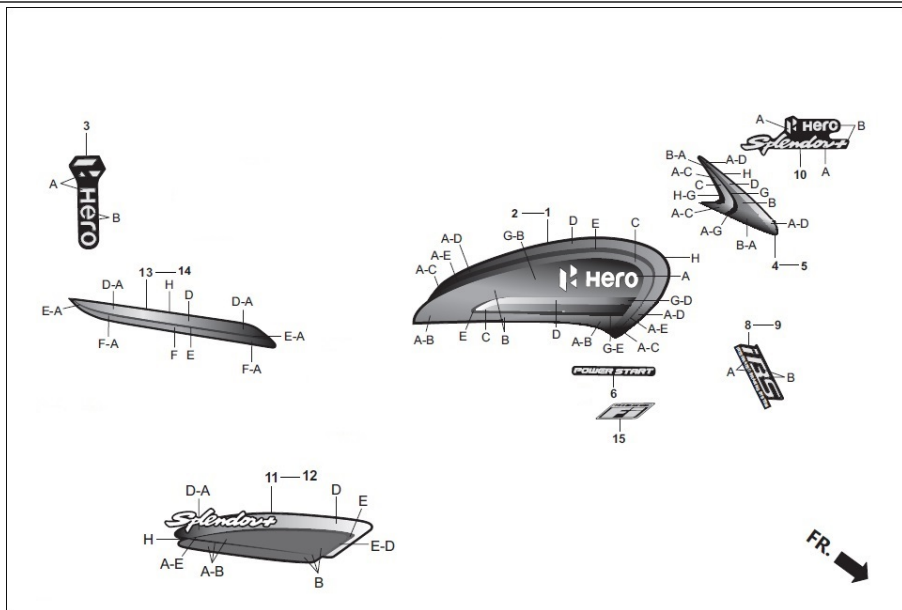
Service Item

F.R.T.

Group Number: F-26 Model :: Splendor+ iBS BSVI (Feb, 2020)

Ref No.	Part Number	Description	Req.
1	89102-538-000	SCREW, DRIVER PLUS/MINUS	1
2	89103-538-000	GRIP, SCREW DRIVER	1
3	89215-AAC-000	BOX WRENCH P16X14	1
4	89216-AAD-H00	TOOL BAG	1
5	99007-45000	PIN, SPANNER	1

F-27 STRIPES/MARK



Service Item

F.R.T.

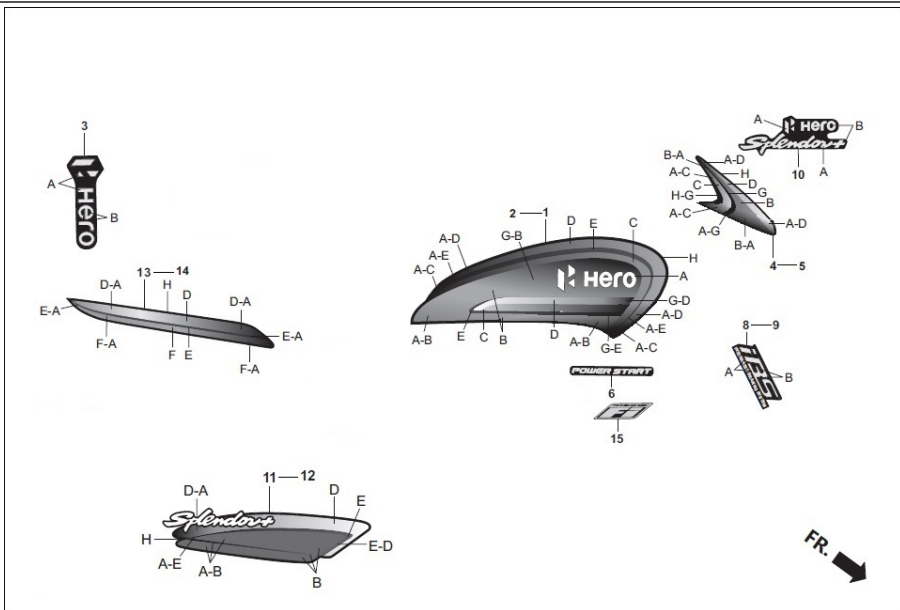
Group Number: F-27 Model :: Splendor+ iBS BSVI (Feb, 2020)

Ref No.	Part Number	Description	Req.
1	17595-AAE-300R	STRIPE, R FUEL TANK (TYPE-1)	1
	17595-AAE-300S	STRIPE, R FUEL TANK (TYPE-2)	1
	17595-AAE-300T	STRIPE, R FUEL TANK (TYPE-3)	1
	17595-AAE-300U	STRIPE, R FUEL TANK (TYPE-4)	1

SPECIFIED COLOUR CHART FOR, STRIPE RIGHT FUEL TANK

SPECIFIED COLOUR TYPE	A	B	C	D	E	G	H	MAIN BODY COLOUR
1	NH-1 BLACK	TORNADO GREY	TERRA SILVER	FORCE SILVER	DARK GREY (CSPL 596)	NH-1 BLACK	NH-1 BLACK	BLACK (NH-1) TYPE-1
2	NH-1 BLACK	KCCG PURPLE ME. (CSPL 305)	TERRA SILVER	FORCE SILVER	DARK GREY (CSPL 596)	NH-1 BLACK	NH-1 BLACK	BLACK (NH-1) TYPE-2
3	NH-1 BLACK	CANDY BLAZING RED	TERRA SILVER	FORCE SILVER	DARK GREY (CSPL 596)	NH-1 BLACK	NH-1 BLACK	BLACK (NH-1) TYPE-3
4	EBONY GRAY	COLUMBIA GREEN	TERRA SILVER	FORCE SILVER	DARK GREY (CSPL 596)	NH-1 BLACK	TRANSPARENT	EBONY GRAY METALLIC (NH-A63M)
-	-----	-----	-----	-----	-----	-----	-----	BLACK (NH-1) TYPE-4

F-27 STRIPES/MARK



Service Item

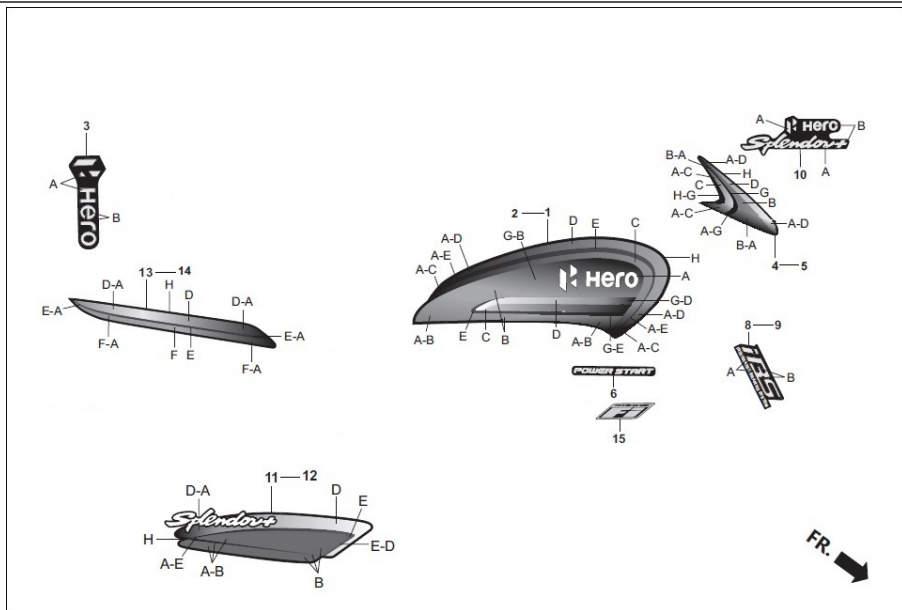
F.R.T.

Group Number: F-27 Model :: Splendor+ iBS BSVI (Feb, 2020)

Ref No.	Part Number	Description	Req.
2	17596-AAE-300R	STRIPE, L FUEL TANK (TYPE-1)	1
	17596-AAE-300S	STRIPE, L FUEL TANK (TYPE-2)	1
	17596-AAE-300T	STRIPE, L FUEL TANK (TYPE-3)	1
	17596-AAE-300U	STRIPE, L FUEL TANK (TYPE-4)	1

SPECIFIED COLOUR CHART FOR, STRIPE LEFT FUEL TANK								
SPECIFIED COLOUR TYPE	A	B	C	D	E	G	H	MAIN BODY COLOUR
1	NH-1 BLACK	TORNADO GREY	TERRA SILVER	FORCE SILVER	DARK GREY (CSPL 596)	NH-1 BLACK	NH-1 BLACK	BLACK (NH-1) TYPE-1
2	NH-1 BLACK	KCCG PURPLE ME. (CSPL 305)	TERRA SILVER	FORCE SILVER	DARK GREY (CSPL 596)	NH-1 BLACK	NH-1 BLACK	BLACK (NH-1) TYPE-2
3	NH-1 BLACK	CANDY BLAZING RED	TERRA SILVER	FORCE SILVER	DARK GREY (CSPL 596)	NH-1 BLACK	NH-1 BLACK	BLACK (NH-1) TYPE-3
4	EBONY GRAY	COLUMBIA GREEN	TERRA SILVER	FORCE SILVER	DARK GREY (CSPL 596)	NH-1 BLACK	TRANSPARENT	EBONY GRAY METALLIC (NH-A63M)
-	-----	-----	-----	-----	-----	-----	-----	BLACK (NH-1) TYPE-4

F-27
STRIPES/MARK



Service Item

F.R.T.

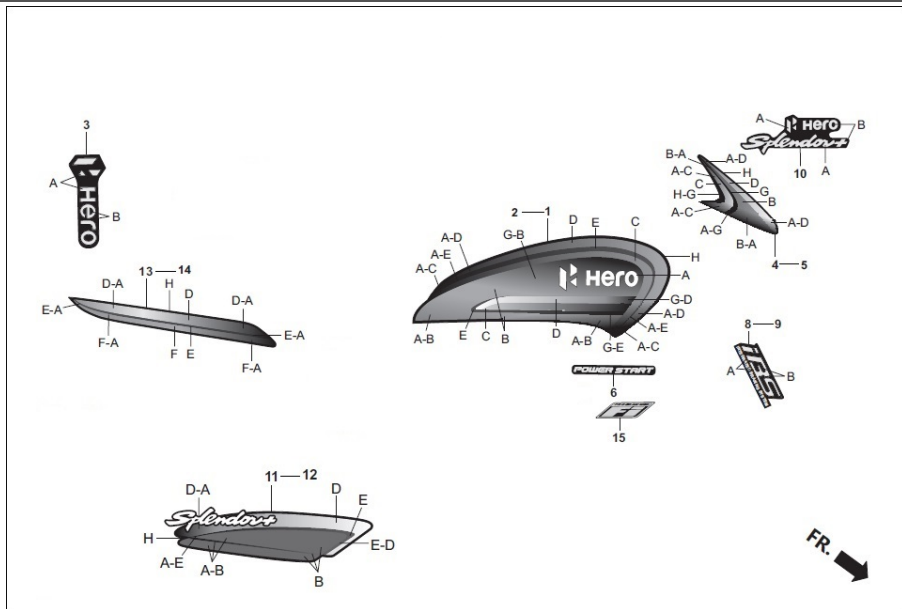
Group Number: F-27 Model :: Splendor+ iBS BSVI (Feb, 2020)

Ref No.	Part Number	Description	Req.
3	77238-AAE-300R	MARK, CENTER RR. COWL (TYPE-1)	1
	77238-AAE-300S	MARK, CENTER RR. COWL (TYPE-2)	1

SPECIFIED COLOUR CHART FOR, MARK CENTER RR. COWL

SPECIFIED COLOUR TYPE	A	B	MAIN BODY COLOUR
1	FORCE SILVER	NH-1 BLACK	BLACK (NH-1) TYPE-1
1	FORCE SILVER	NH-1 BLACK	BLACK (NH-1) TYPE-2
1	FORCE SILVER	NH-1 BLACK	BLACK (NH-1) TYPE-3
2	FORCE SILVER	TRANSPARENT	EBONY GRAY METALLIC (NH-A63M)
1	FORCE SILVER	NH-1 BLACK	BLACK (NH-1) TYPE-4

F-27 STRIPES/MARK



Service Item

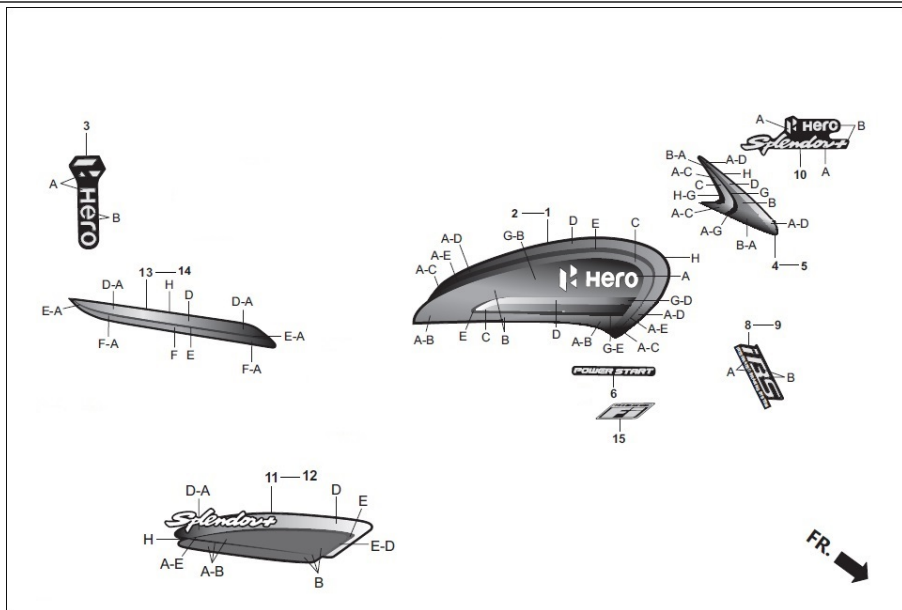
F.R.T.

Group Number: F-27 Model :: Splendor+ iBS BSVI (Feb, 2020)

Ref No.	Part Number	Description	Req.
4	83408-AAE-300R	STRIPE, R FR VISOR (TYPE-1)	1
	83408-AAE-300S	STRIPE, R FR VISOR (TYPE-2)	1
	83408-AAE-300T	STRIPE, R FR VISOR (TYPE-3)	1
	83408-AAE-300U	STRIPE, R FR VISOR (TYPE-4)	1

SPECIFIED COLOUR CHART FOR, STRIPE RIGHT FR. VISOR							
SPECIFIED COLOUR TYPE	A	B	C	D	G	H	MAIN BODY COLOUR
1	NH-1 BLACK	TORNADO GREY	TERRA SILVER	FORCE SILVER	NH-1 BLACK	NH-1 BLACK	BLACK (NH-1) TYPE-1
2	NH-1 BLACK	KCCG PURPLE ME. (CSPL 305)	TERRA SILVER	FORCE SILVER	NH-1 BLACK	NH-1 BLACK	BLACK (NH-1) TYPE-2
3	NH-1 BLACK	CANDY BLAZING RED	TERRA SILVER	FORCE SILVER	NH-1 BLACK	NH-1 BLACK	BLACK (NH-1) TYPE-3
4	EBONY GRAY	COLUMBIA GREEN	TERRA SILVER	FORCE SILVER	NH-1 BLACK	TRANSPARENT	EBONY GRAY METALLIC (NH-A63M)
-	-----	-----	-----	-----	-----	-----	BLACK (NH-1) TYPE-4

F-27 STRIPES/MARK



Service Item

F.R.T.

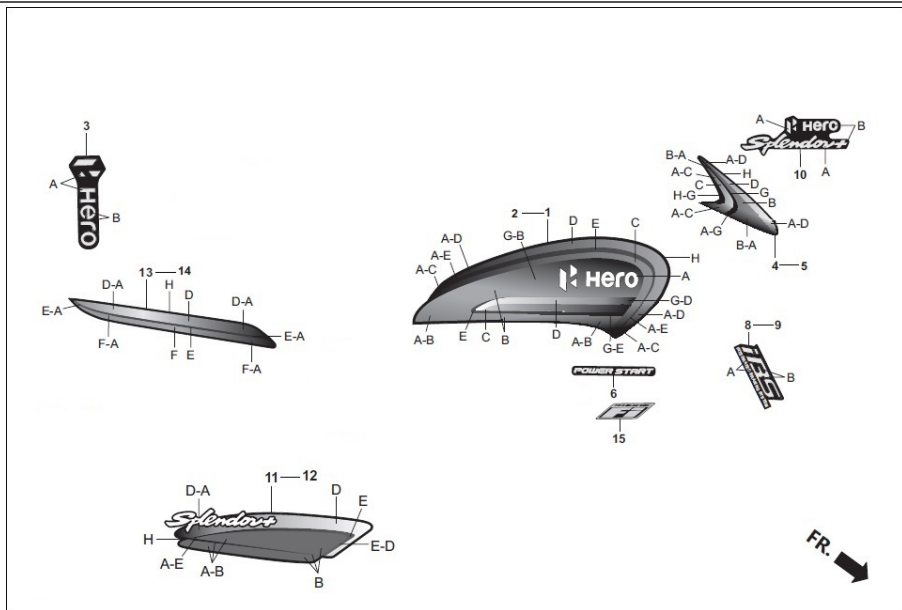
Group Number: F-27 Model :: Splendor+ iBS BSVI (Feb, 2020)

Ref No.	Part Number	Description	Req.
5	83409-AAE-300R	STRIPE, L FR VISOR (TYPE-1)	1
	83409-AAE-300S	STRIPE, L FR VISOR (TYPE-2)	1
	83409-AAE-300T	STRIPE, L FR VISOR (TYPE-3)	1
	83409-AAE-300U	STRIPE, L FR VISOR (TYPE-4)	1

SPECIFIED COLOUR CHART FOR, STRIPE LEFT FR. VISOR

SPECIFIED COLOUR TYPE	A	B	C	D	G	H	MAIN BODY COLOUR
1	NH-1 BLACK	TORNADO GREY	TERRA SILVER	FORCE SILVER	NH-1 BLACK	NH-1 BLACK	BLACK (NH-1) TYPE-1
2	NH-1 BLACK	KCCG PURPLE ME. (CSPL 305)	TERRA SILVER	FORCE SILVER	NH-1 BLACK	NH-1 BLACK	BLACK (NH-1) TYPE-2
3	NH-1 BLACK	CANDY BLAZING RED	TERRA SILVER	FORCE SILVER	NH-1 BLACK	NH-1 BLACK	BLACK (NH-1) TYPE-3
4	EBONY GRAY	COLUMBIA GREEN	TERRA SILVER	FORCE SILVER	NH-1 BLACK	TRANSPARENT	EBONY GRAY METALLIC (NH-A63M)
-	-----	-----	-----	-----	-----	-----	BLACK (NH-1) TYPE-4

F-27
STRIPES/MARK



Service Item

F.R.T.

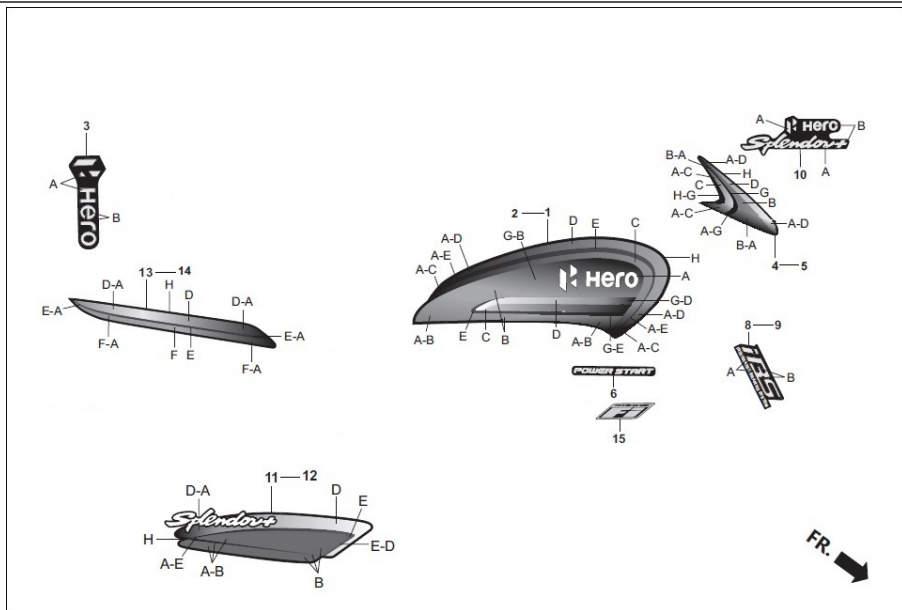
Group Number: F-27 Model :: Splendor+ iBS BSVI (Feb, 2020)

Ref No.	Part Number	Description	Req.
6	86511-AAE-100	MARK UTILITY BOX COVER	2

SPECIFIED COLOUR CHART FOR, MARK UTILITY BOX COVER

SPECIFIED COLOUR TYPE		MAIN BODY COLOUR
		BLACK (NH-1) TYPE-1
		BLACK (NH-1) TYPE-2
		BLACK (NH-1) TYPE-3
		EBONY GRAY METALLIC (NH-A63M)
		BLACK (NH-1) TYPE-4

F-27 STRIPES/MARK



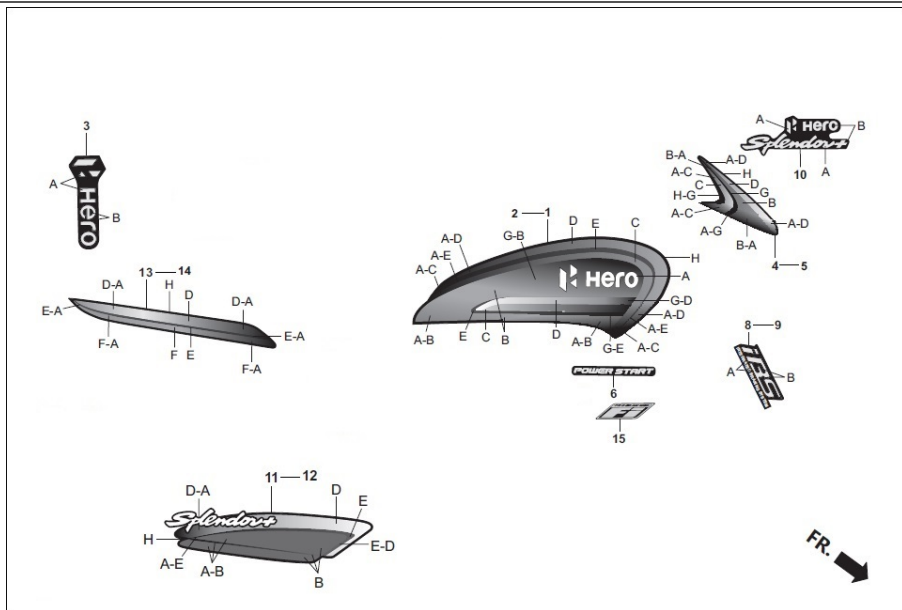
Service Item	F.R.T.
--------------	--------

Group Number: F-27 Model :: Splendor+ iBS BSVI (Feb, 2020)			
Ref No.	Part Number	Description	Req.
8	86780-AAE-200R	MARK, IBS FR FENDER RH (TYPE-1)	1
	86780-AAE-200T	MARK, IBS FR FENDER RH (TYPE-3)	1

SPECIFIED COLOUR CHART FOR, MARK, IBS FR FENDER RH

SPECIFIED COLOUR TYPE	A	B	MAIN BODY COLOUR
1	FORCE SILVER ME.	BLACK NH-1	BLACK (NH-1) TYPE-1
1	FORCE SILVER ME.	BLACK NH-1	BLACK (NH-1) TYPE-2
1	FORCE SILVER ME.	BLACK NH-1	BLACK (NH-1) TYPE-3
3	FORCE SILVER ME.	TRANSPARENT	EBONY GRAY METALLIC (NH-A63M)
1	FORCE SILVER ME.	BLACK NH-1	BLACK (NH-1) TYPE-4

F-27
STRIPES/MARK



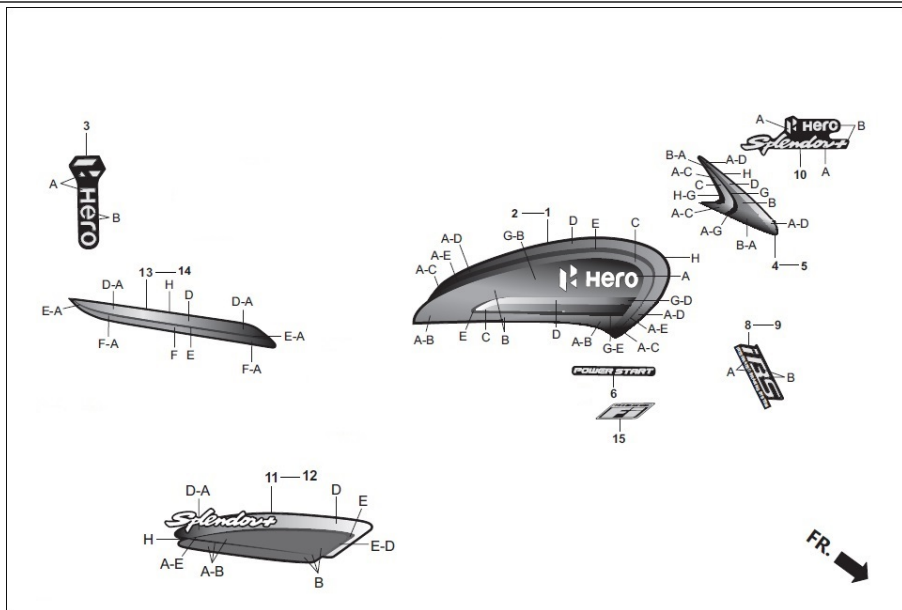
Service Item	F.R.T.
--------------	--------

Group Number: F-27 Model :: Splendor+ iBS BSVI (Feb, 2020)			
Ref No.	Part Number	Description	Req.
9	86880-AAE-200R	MARK, IBS FR FENDER LH (TYPE-1)	1
	86880-AAE-200T	MARK, IBS FR FENDER LH (TYPE-3)	1

SPECIFIED COLOUR CHART FOR, MARK, IBS FR FENDER RH

SPECIFIED COLOUR TYPE	A	B	MAIN BODY COLOUR
1	FORCE SILVER ME.	BLACK NH-1	BLACK (NH-1) TYPE-1
1	FORCE SILVER ME.	BLACK NH-1	BLACK (NH-1) TYPE-2
1	FORCE SILVER ME.	BLACK NH-1	BLACK (NH-1) TYPE-3
3	FORCE SILVER ME.	TRANSPARENT	EBONY GRAY METALLIC (NH-A63M)
1	FORCE SILVER ME.	BLACK NH-1	BLACK (NH-1) TYPE-4

F-27
STRIPES/MARK



Service Item

F.R.T.

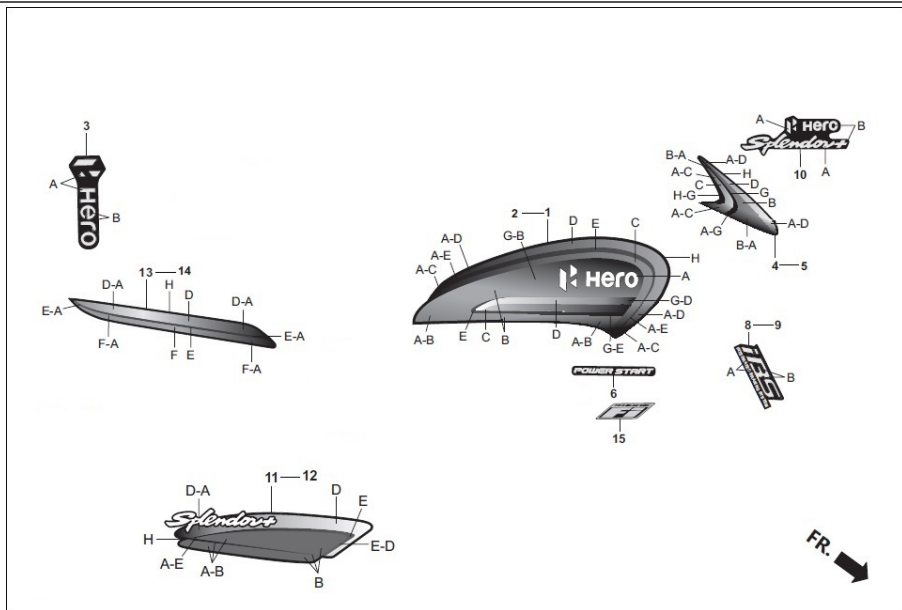
Group Number: F-27 Model :: Splendor+ iBS BSVI (Feb, 2020)

Ref No.	Part Number	Description	Req.
10	86838-AAE-300R	MARK HERO FR VISOR (TYPE-1)	1
	86838-AAE-300S	MARK HERO FR VISOR (TYPE-2)	1

SPECIFIED COLOUR CHART FOR, MARK FR. VISOR

SPECIFIED COLOUR TYPE	A	B	MAIN BODY COLOUR
1	FORCE SILVER	BLACK NH-1	BLACK (NH-1) TYPE-1
1	FORCE SILVER	BLACK NH-1	BLACK (NH-1) TYPE-2
1	FORCE SILVER	BLACK NH-1	BLACK (NH-1) TYPE-3
2	FORCE SILVER	TRANSPARENT	EBONY GRAY METALLIC (NH-A63M)
1	FORCE SILVER	NH-1 BLACK	BLACK (NH-1) TYPE-4

F-27 STRIPES/MARK



Service Item	F.R.T.
--------------	--------

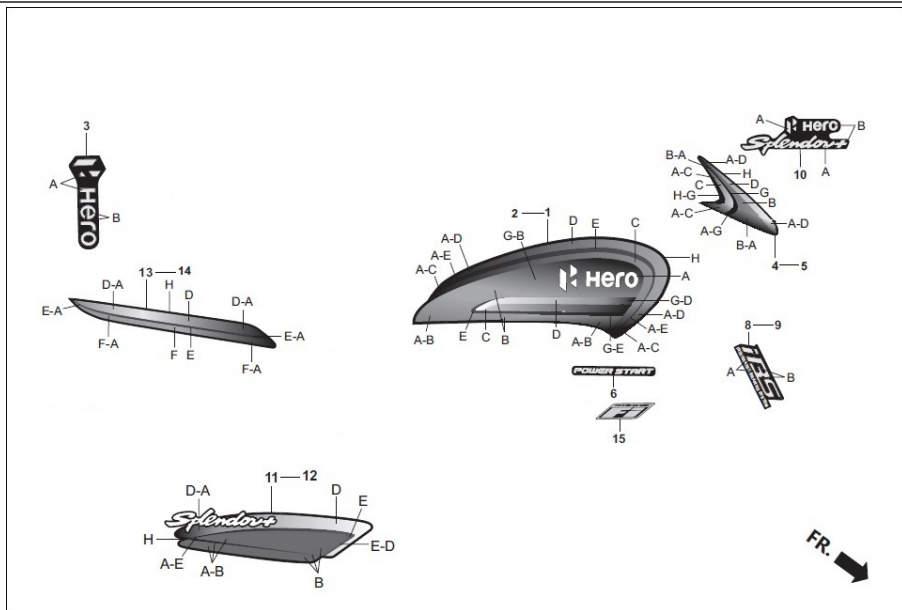
Group Number: F-27 Model :: Splendor+ iBS BSVI (Feb, 2020)

Ref No.	Part Number	Description	Req.
11	87115-AAE-300R	STRIPE, R SIDE COVER (TYPE-1)	1
	87115-AAE-300S	STRIPE, R SIDE COVER (TYPE-2)	1
	87115-AAE-300T	STRIPE, R SIDE COVER (TYPE-3)	1
	87115-AAE-300U	STRIPE, R SIDE COVER (TYPE-4)	1

SPECIFIED COLOUR CHART FOR, STRIPE R SIDE COVER

SPECIFIED COLOUR TYPE	A	B	D	E	H	MAIN BODY COLOUR
1	NH-1 BLACK	TORNADO GREY	FORCE SILVER	DARK GREY (CSPL 596)	NH-1 BLACK	BLACK (NH-1) TYPE-1
2	NH-1 BLACK	KCCG PURPLE ME. (CSPL 305)	FORCE SILVER	DARK GREY (CSPL 596)	NH-1 BLACK	BLACK (NH-1) TYPE-2
3	NH-1 BLACK	CANDY BLAZING RED	FORCE SILVER	DARK GREY (CSPL 596)	NH-1 BLACK	BLACK (NH-1) TYPE-3
4	EBONY GRAY	COLUMBIA GREEN	FORCE SILVER	DARK GREY (CSPL 596)	TRANSPARENT	EBONY GRAY METALLIC (NH-A63M)
-	-----	-----	-----	-----	-----	BLACK (NH-1) TYPE-4

F-27
STRIPES/MARK



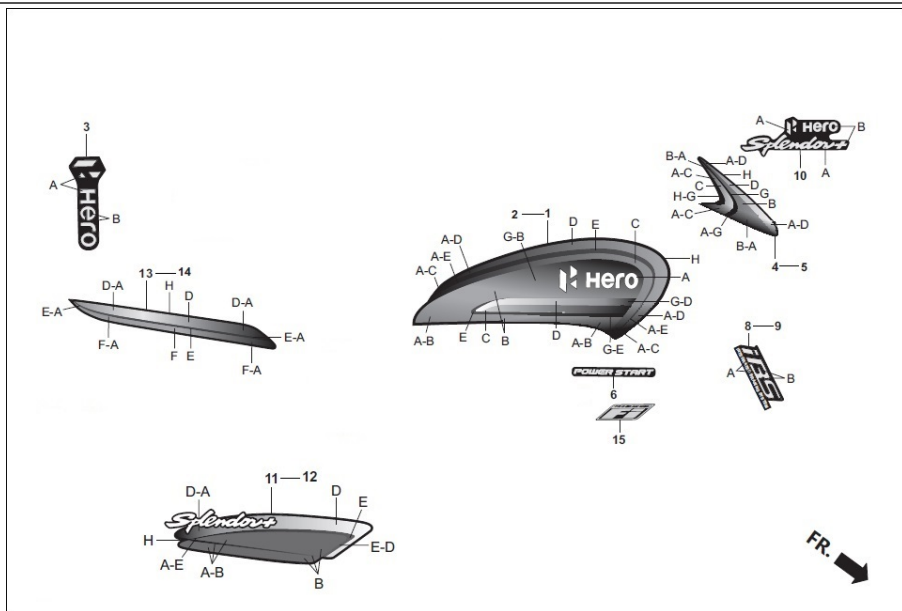
Service Item	F.R.T.
--------------	--------

Group Number: F-27 Model :: Splendor+ iBS BSVI (Feb, 2020)			
Ref No.	Part Number	Description	Req.
12	87116-AAE-300R	STRIPE, L SIDE COVER (TYPE-1)	1
	87116-AAE-300S	STRIPE, L SIDE COVER (TYPE-2)	1
	87116-AAE-300T	STRIPE, L SIDE COVER (TYPE-3)	1
	87116-AAE-300U	STRIPE, L SIDE COVER (TYPE-4)	1

SPECIFIED COLOUR CHART FOR, STRIPE L SIDE COVER

SPECIFIED COLOUR TYPE	A	B	D	E	H	MAIN BODY COLOUR
1	NH-1 BLACK	TORNADO GREY	FORCE SILVER	DARK GREY (CSPL 596)	NH-1 BLACK	BLACK (NH-1) TYPE-1
2	NH-1 BLACK	KCCG PURPLE ME. (CSPL 305)	FORCE SILVER	DARK GREY (CSPL 596)	NH-1 BLACK	BLACK (NH-1) TYPE-2
3	NH-1 BLACK	CANDY BLAZING RED	FORCE SILVER	DARK GREY (CSPL 596)	NH-1 BLACK	BLACK (NH-1) TYPE-3
4	EBONY GRAY	COLUMBIA GREEN	FORCE SILVER	DARK GREY (CSPL 596)	TRANSPARENT	EBONY GRAY METALLIC (NH-A63M)
-	-----	-----	-----	-----	-----	BLACK (NH-1) TYPE-4

F-27 STRIPES/MARK



Service Item

F.R.T.

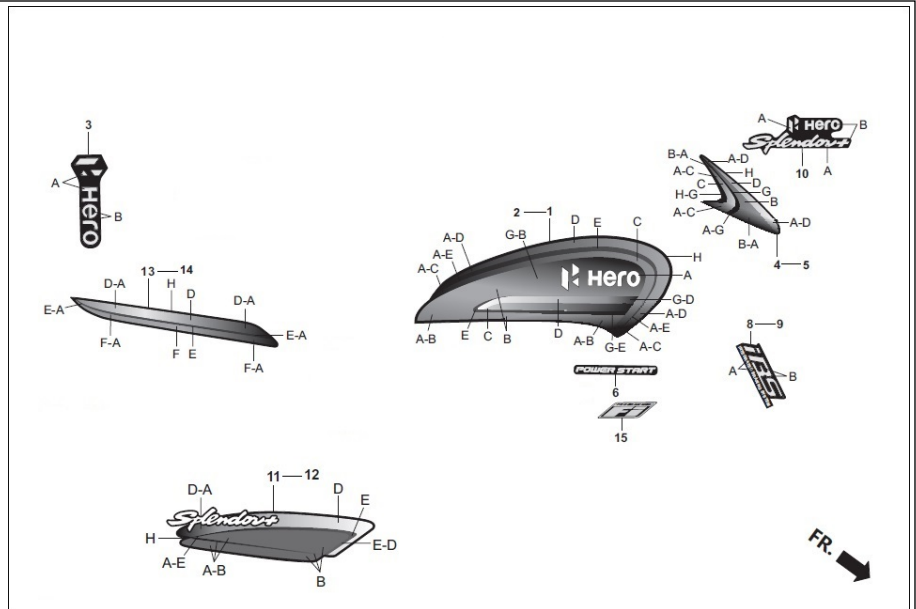
Group Number: F-27 Model :: Splendor+ iBS BSVI (Feb, 2020)

Ref No.	Part Number	Description	Req.
13	87131-AAE-300R	STRIPE, R SIDE COWL (TYPE-1)	1
	87131-AAE-300S	STRIPE, R SIDE COWL (TYPE-2)	1
	87131-AAE-300T	STRIPE, R SIDE COWL (TYPE-3)	1
	87131-AAE-300U	STRIPE, R SIDE COWL (TYPE-4)	1

SPECIFIED COLOUR CHART FOR, STRIPE R SIDE COWL

SPECIFIED COLOUR TYPE	A	D	E	F	H	MAIN BODY COLOUR
1	NH-1 BLACK	FORCE SILVER	DARK GREY (CSPL 596)	TERRA SILVER	NH-1 BLACK	BLACK (NH-1) TYPE-1
2	NH-1 BLACK	FORCE SILVER	DARK GREY (CSPL 596)	KCCG PURPLE ME. (CSPL 305)	NH-1 BLACK	BLACK (NH-1) TYPE-2
3	NH-1 BLACK	FORCE SILVER	DARK GREY (CSPL 596)	CANDY BLAZING RED	NH-1 BLACK	BLACK (NH-1) TYPE-3
4	EBONY GRAY	FORCE SILVER	DARK GREY (CSPL 596)	COLUMBIA GREEN	TRANSPARENT	EBONY GRAY METALLIC (NH-A63M)
-	-----	-----	-----	-----	-----	BLACK (NH-1) TYPE-4

F-27 STRIPES/MARK



Service Item

F.R.T.

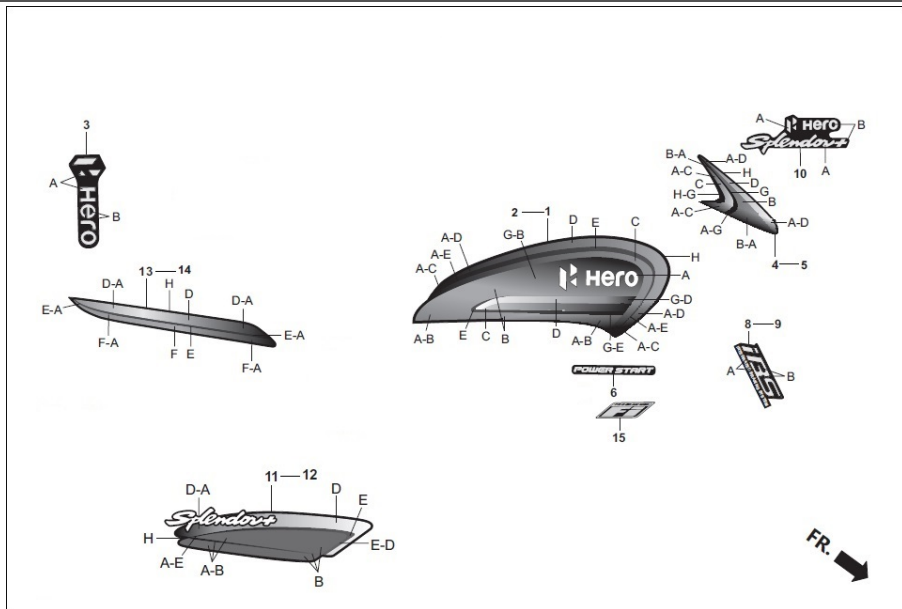
Group Number: F-27 Model :: Splendor+ iBS BSVI (Feb, 2020)

Ref No.	Part Number	Description	Req.
14	87132-AAE-300R	STRIPE, L SIDE COWL (TYPE-1)	1
	87132-AAE-300S	STRIPE, L SIDE COWL (TYPE-2)	1
	87132-AAE-300T	STRIPE, L SIDE COWL (TYPE-3)	1
	87132-AAE-300U	STRIPE, L SIDE COWL (TYPE-4)	1

SPECIFIED COLOUR CHART FOR, STRIPE L SIDE COWL

SPECIFIED COLOUR TYPE	A	D	E	F	H	MAIN BODY COLOUR
1	NH-1 BLACK	FORCE SILVER	DARK GREY (CSPL 596)	TERRA SILVER	NH-1 BLACK	BLACK (NH-1) TYPE-1
2	NH-1 BLACK	FORCE SILVER	DARK GREY (CSPL 596)	KCCG PURPLE ME. (CSPL 305)	NH-1 BLACK	BLACK (NH-1) TYPE-2
3	NH-1 BLACK	FORCE SILVER	DARK GREY (CSPL 596)	CANDY BLAZING RED	NH-1 BLACK	BLACK (NH-1) TYPE-3
4	EBONY GRAY	FORCE SILVER	DARK GREY (CSPL 596)	COLUMBIA GREEN	TRANSPARENT	EBONY GRAY METALLIC (NH-A63M)
-	-----	-----	-----	-----	-----	BLACK (NH-1) TYPE-4

F-27
STRIPES/MARK

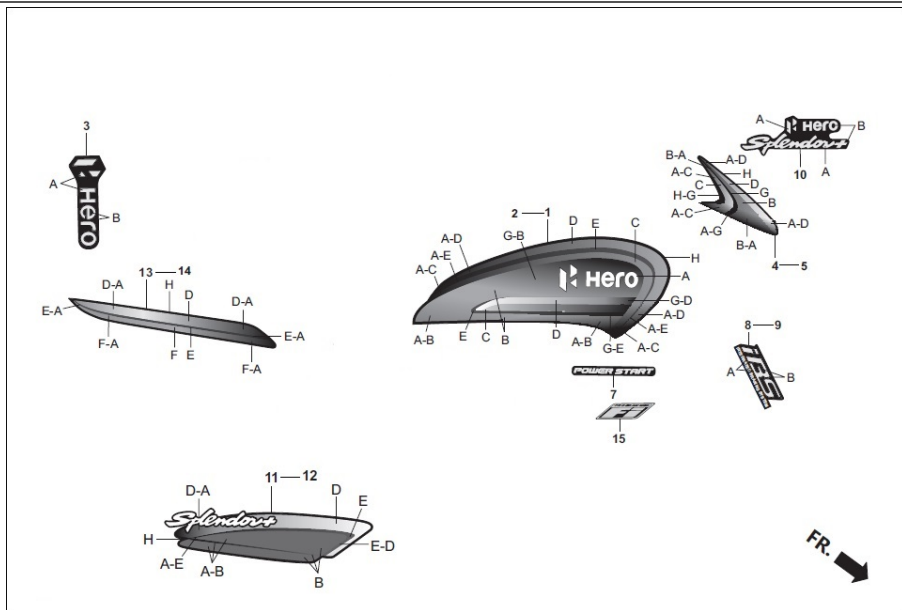


Service Item	F.R.T.	Group Number: F-27 Model :: Splendor+ iBS BSVI (Feb, 2020)			
		Ref No.	Part Number	Description	Req.
		15	85401-AAW-A00	PROGRAMMED FI MARK	2

SPECIFIED COLOUR CHART FOR, PROGRAMMED 'FI' MARK

SPECIFIED COLOUR TYPE		MAIN BODY COLOUR
		BLACK (NH-1) TYPE-1
		BLACK (NH-1) TYPE-2
		BLACK (NH-1) TYPE-3
		EBONY GRAY METALLIC (NH-A63M)
		BLACK (NH-1) TYPE-4

F-27-SELF STRIPES/MARK



Service Item

F.R.T.

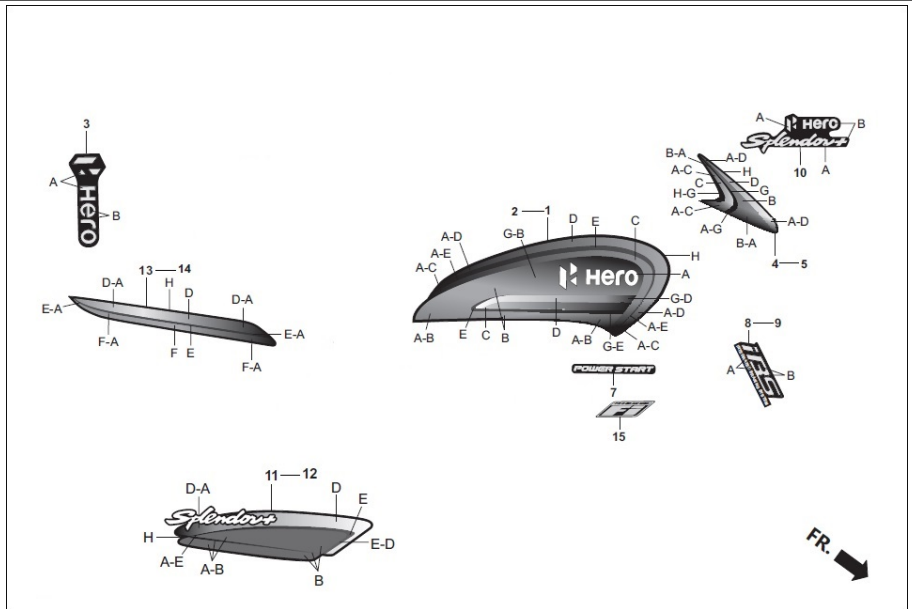
Group Number: F-27-SELF Model :: Splendor+ iBS BSVI (Feb, 2020)

Ref No.	Part Number	Description	Req.
1	17595-AAE-300R	STRIPE, R FUEL TANK (TYPE-1)	1
	17595-AAE-300S	STRIPE, R FUEL TANK (TYPE-2)	1
	17595-AAE-300T	STRIPE, R FUEL TANK (TYPE-3)	1
	17595-AAE-300U	STRIPE, R FUEL TANK (TYPE-4)	1

SPECIFIED COLOUR CHART FOR, STRIPE RIGHT FUEL TANK

SPECIFIED COLOUR TYPE	A	B	C	D	E	G	H	MAIN BODY COLOUR
1	NH-1 BLACK	TORNADO GREY	TERRA SILVER	FORCE SILVER	DARK GREY (CSPL 596)	NH-1 BLACK	NH-1 BLACK	BLACK (NH-1) TYPE-1
2	NH-1 BLACK	KCCG PURPLE ME. (CSPL 305)	TERRA SILVER	FORCE SILVER	DARK GREY (CSPL 596)	NH-1 BLACK	NH-1 BLACK	BLACK (NH-1) TYPE-2
3	NH-1 BLACK	CANDY BLAZING RED	TERRA SILVER	FORCE SILVER	DARK GREY (CSPL 596)	NH-1 BLACK	NH-1 BLACK	BLACK (NH-1) TYPE-3
4	EBONY GRAY	COLUMBIA GREEN	TERRA SILVER	FORCE SILVER	DARK GREY (CSPL 596)	NH-1 BLACK	TRANSPARENT	EBONY GRAY METALLIC (NH-A63M)
-	-----	-----	-----	-----	-----	-----	-----	BLACK (NH-1) TYPE-4

F-27-SELF STRIPES/MARK



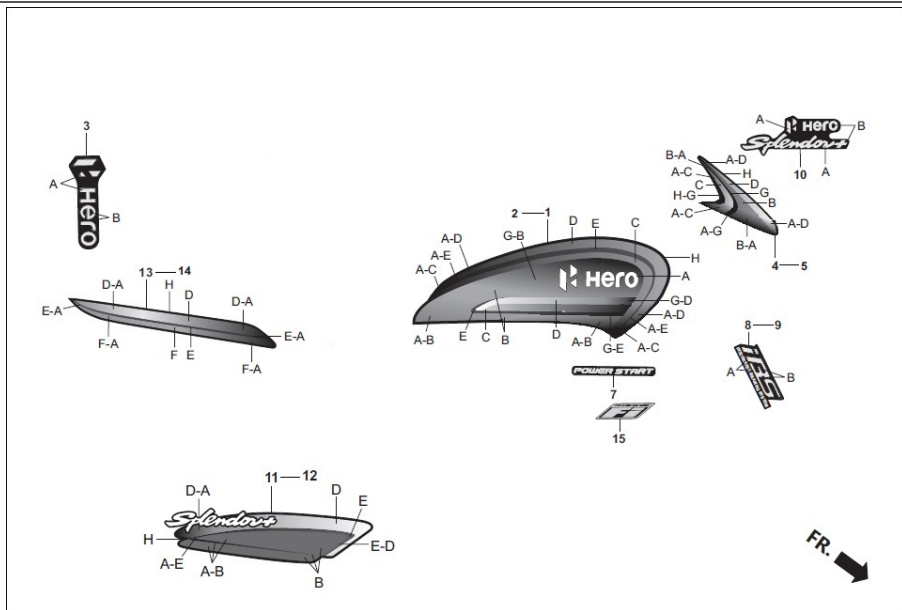
FR. →

Service Item	F.R.T.
--------------	--------

Group Number: F-27-SELF Model :: Splendor+ iBS BSVI (Feb, 2020)			
Ref No.	Part Number	Description	Req.
2	17596-AAE-300R	STRIPE, L FUEL TANK (TYPE-1)	1
	17596-AAE-300S	STRIPE, L FUEL TANK (TYPE-2)	1
	17596-AAE-300T	STRIPE, L FUEL TANK (TYPE-3)	1
	17596-AAE-300U	STRIPE, L FUEL TANK (TYPE-4)	1

SPECIFIED COLOUR CHART FOR, STRIPE LEFT FUEL TANK								
SPECIFIED COLOUR TYPE	A	B	C	D	E	G	H	MAIN BODY COLOUR
1	NH-1 BLACK	TORNADO GREY	TERRA SILVER	FORCE SILVER	DARK GREY (CSPL 596)	NH-1 BLACK	NH-1 BLACK	BLACK (NH-1) TYPE-1
2	NH-1 BLACK	KCCG PURPLE ME. (CSPL 305)	TERRA SILVER	FORCE SILVER	DARK GREY (CSPL 596)	NH-1 BLACK	NH-1 BLACK	BLACK (NH-1) TYPE-2
3	NH-1 BLACK	CANDY BLAZING RED	TERRA SILVER	FORCE SILVER	DARK GREY (CSPL 596)	NH-1 BLACK	NH-1 BLACK	BLACK (NH-1) TYPE-3
4	EBONY GRAY	COLUMBIA GREEN	TERRA SILVER	FORCE SILVER	DARK GREY (CSPL 596)	NH-1 BLACK	TRANSPARENT	EBONY GRAY METALLIC (NH-A63M)
-	-----	-----	-----	-----	-----	-----	-----	BLACK (NH-1) TYPE-4

F-27-SELF STRIPES/MARK



Service Item

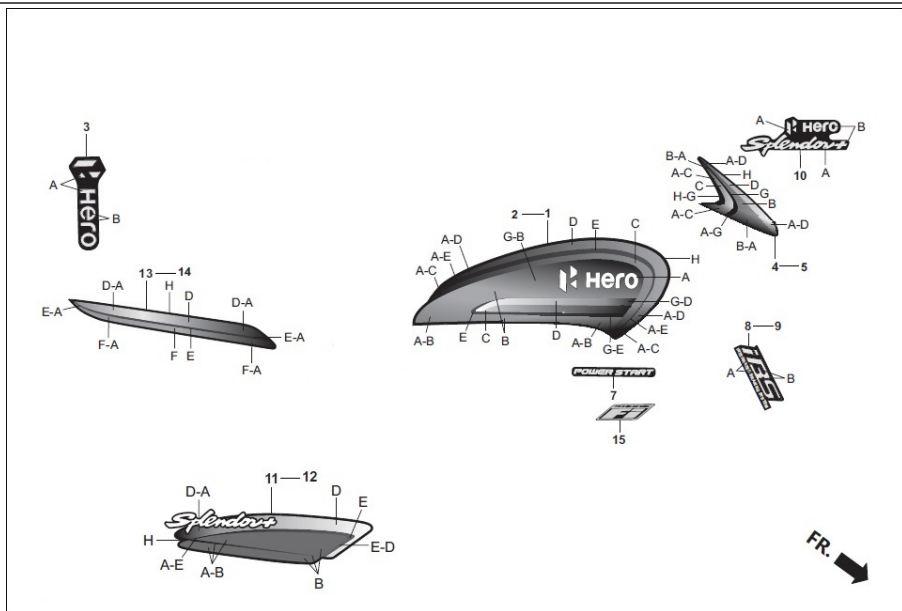
F.R.T.

Group Number: F-27-SELF Model :: Splendor+ iBS BSVI (Feb, 2020)

Ref No.	Part Number	Description	Req.
3	77238-AAE-300R	MARK, CENTER RR. COWL (TYPE-1)	1
	77238-AAE-300S	MARK, CENTER RR. COWL (TYPE-2)	1

SPECIFIED COLOUR CHART FOR, MARK CENTER RR. COWL			
SPECIFIED COLOUR TYPE	A	B	MAIN BODY COLOUR
1	FORCE SILVER	NH-1 BLACK	BLACK (NH-1) TYPE-1
1	FORCE SILVER	NH-1 BLACK	BLACK (NH-1) TYPE-2
1	FORCE SILVER	NH-1 BLACK	BLACK (NH-1) TYPE-3
2	FORCE SILVER	TRANSPARENT	EBONY GRAY METALLIC (NH-A63M)
1	FORCE SILVER	NH-1 BLACK	BLACK (NH-1) TYPE-4

F-27-SELF STRIPES/MARK



Service Item

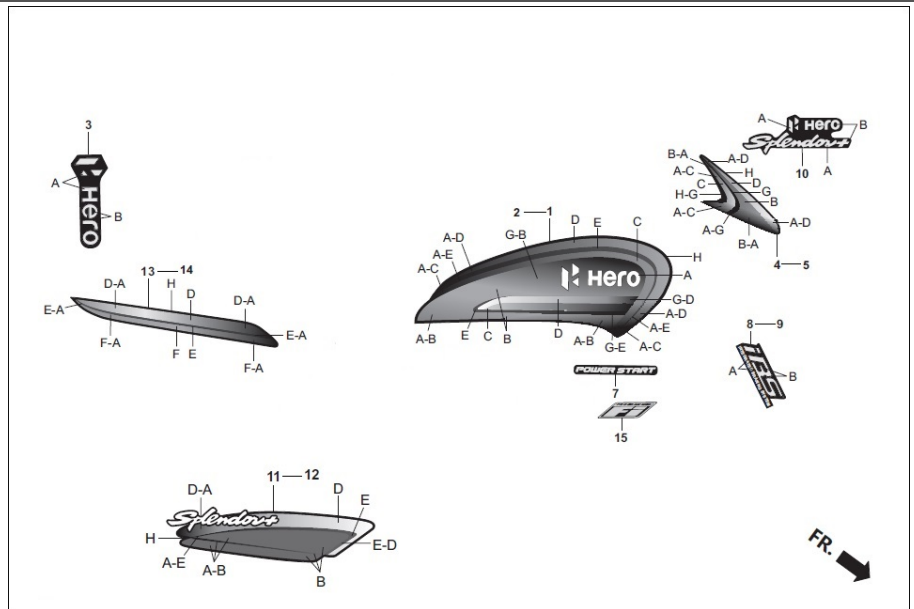
F.R.T.

Group Number: F-27-SELF Model :: Splendor+ iBS BSVI (Feb, 2020)

Ref No.	Part Number	Description	Req.
4	83408-AAE-300R	STRIPE, R FR VISOR (TYPE-1)	1
	83408-AAE-300S	STRIPE, R FR VISOR (TYPE-2)	1
	83408-AAE-300T	STRIPE, R FR VISOR (TYPE-3)	1
	83408-AAE-300U	STRIPE, R FR VISOR (TYPE-4)	1

SPECIFIED COLOUR CHART FOR, STRIPE RIGHT FR. VISOR							
SPECIFIED COLOUR TYPE	A	B	C	D	G	H	MAIN BODY COLOUR
1	NH-1 BLACK	TORNADO GREY	TERRA SILVER	FORCE SILVER	NH-1 BLACK	NH-1 BLACK	BLACK (NH-1) TYPE-1
2	NH-1 BLACK	KCCG PURPLE ME. (CSPL 305)	TERRA SILVER	FORCE SILVER	NH-1 BLACK	NH-1 BLACK	BLACK (NH-1) TYPE-2
3	NH-1 BLACK	CANDY BLAZING RED	TERRA SILVER	FORCE SILVER	NH-1 BLACK	NH-1 BLACK	BLACK (NH-1) TYPE-3
4	EBONY GRAY	COLUMBIA GREEN	TERRA SILVER	FORCE SILVER	NH-1 BLACK	TRANSPARENT	EBONY GRAY METALLIC (NH-A63M)
-	-----	-----	-----	-----	-----	-----	BLACK (NH-1) TYPE-4

F-27-SELF STRIPES/MARK



Service Item

F.R.T.

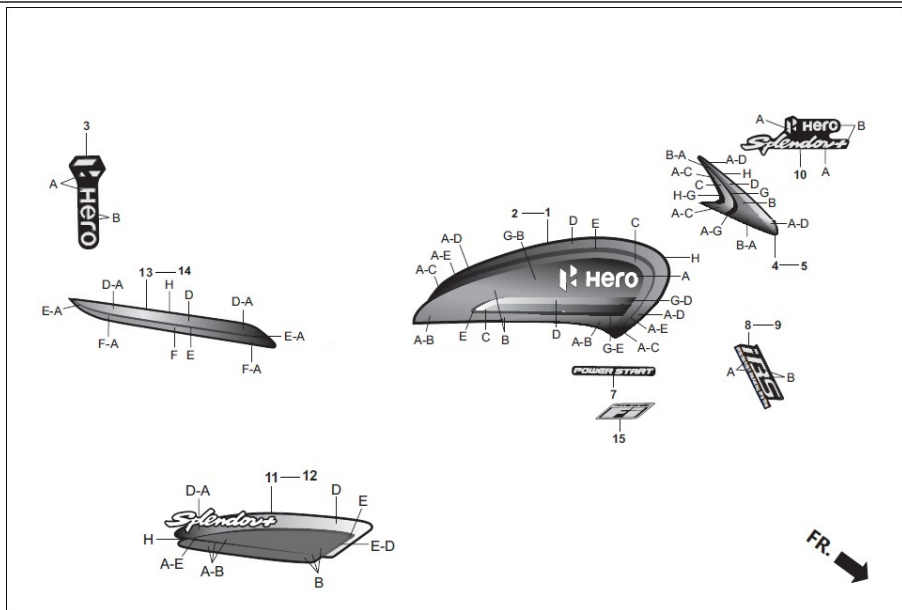
Group Number: F-27-SELF Model :: Splendor+ iBS BSVI (Feb, 2020)

Ref No.	Part Number	Description	Req.
5	83409-AAE-300R	STRIPE, L FR VISOR (TYPE-1)	1
	83409-AAE-300S	STRIPE, L FR VISOR (TYPE-2)	1
	83409-AAE-300T	STRIPE, L FR VISOR (TYPE-3)	1
	83409-AAE-300U	STRIPE, L FR VISOR (TYPE-4)	1

SPECIFIED COLOUR CHART FOR, STRIPE LEFT FR. VISOR

SPECIFIED COLOUR TYPE	A	B	C	D	G	H	MAIN BODY COLOUR
1	NH-1 BLACK	TORNADO GREY	TERRA SILVER	FORCE SILVER	NH-1 BLACK	NH-1 BLACK	BLACK (NH-1) TYPE-1
2	NH-1 BLACK	KCCG PURPLE ME. (CSPL 305)	TERRA SILVER	FORCE SILVER	NH-1 BLACK	NH-1 BLACK	BLACK (NH-1) TYPE-2
3	NH-1 BLACK	CANDY BLAZING RED	TERRA SILVER	FORCE SILVER	NH-1 BLACK	NH-1 BLACK	BLACK (NH-1) TYPE-3
4	EBONY GRAY	COLUMBIA GREEN	TERRA SILVER	FORCE SILVER	NH-1 BLACK	TRANSPARENT	EBONY GRAY METALLIC (NH-A63M)
-	-----	-----	-----	-----	-----	-----	BLACK (NH-1) TYPE-4

F-27-SELF
STRIPES/MARK

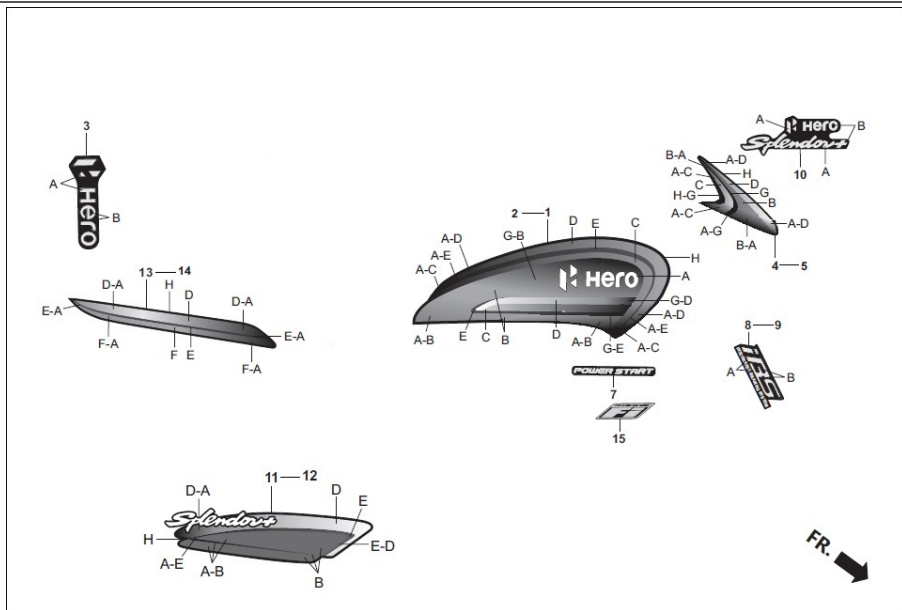


Service Item	F.R.T.	Group Number: F-27-SELF Model :: Splendor+ iBS BSVI (Feb, 2020)			
		Ref No.	Part Number	Description	Req.
		7	86511-KVH-780	MARK, UTILITY BOX COVER (TYPE-1)	2

SPECIFIED COLOUR CHART FOR, MARK UTILITY BOX COVER

SPECIFIED COLOUR TYPE		MAIN BODY COLOUR
		BLACK (NH-1) TYPE-1
		BLACK (NH-1) TYPE-2
		BLACK (NH-1) TYPE-3
		EBONY GRAY METALLIC (NH-A63M)
		BLACK (NH-1) TYPE-4

F-27-SELF STRIPES/MARK



Service Item

F.R.T.

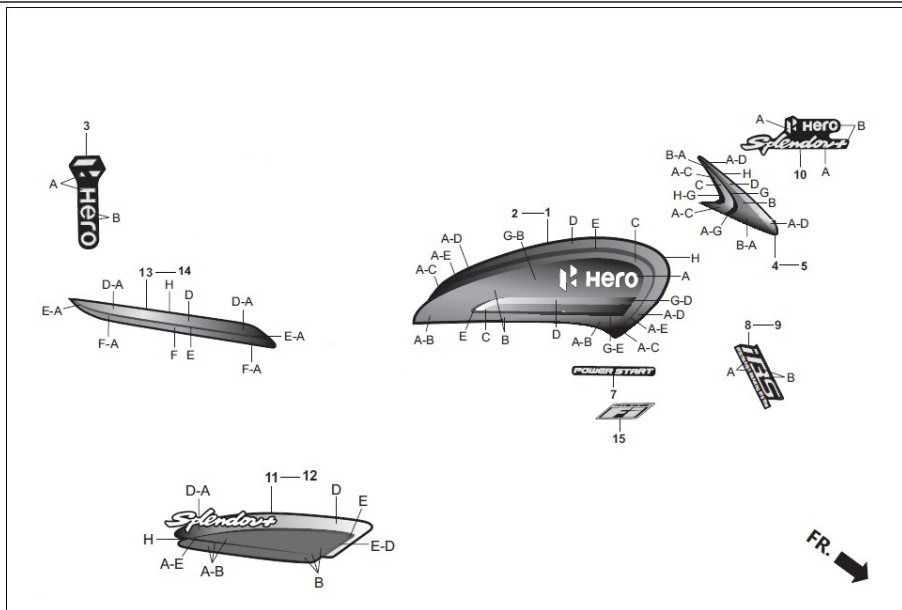
Group Number: F-27-SELF Model :: Splendor+ iBS BSVI (Feb, 2020)

Ref No.	Part Number	Description	Req.
8	86780-AAE-200R	MARK, IBS FR FENDER RH (TYPE-1)	1
	86780-AAE-200T	MARK, IBS FR FENDER RH (TYPE-3)	1

SPECIFIED COLOUR CHART FOR, MARK, IBS FR FENDER RH

SPECIFIED COLOUR TYPE	A	B	MAIN BODY COLOUR
1	FORCE SILVER ME.	BLACK NH-1	BLACK (NH-1) TYPE-1
1	FORCE SILVER ME.	BLACK NH-1	BLACK (NH-1) TYPE-2
1	FORCE SILVER ME.	BLACK NH-1	BLACK (NH-1) TYPE-3
3	FORCE SILVER ME.	TRANSPARENT	EBONY GRAY METALLIC (NH-A63M)
1	FORCE SILVER ME.	BLACK NH-1	BLACK (NH-1) TYPE-4

F-27-SELF STRIPES/MARK



Service Item

F.R.T.

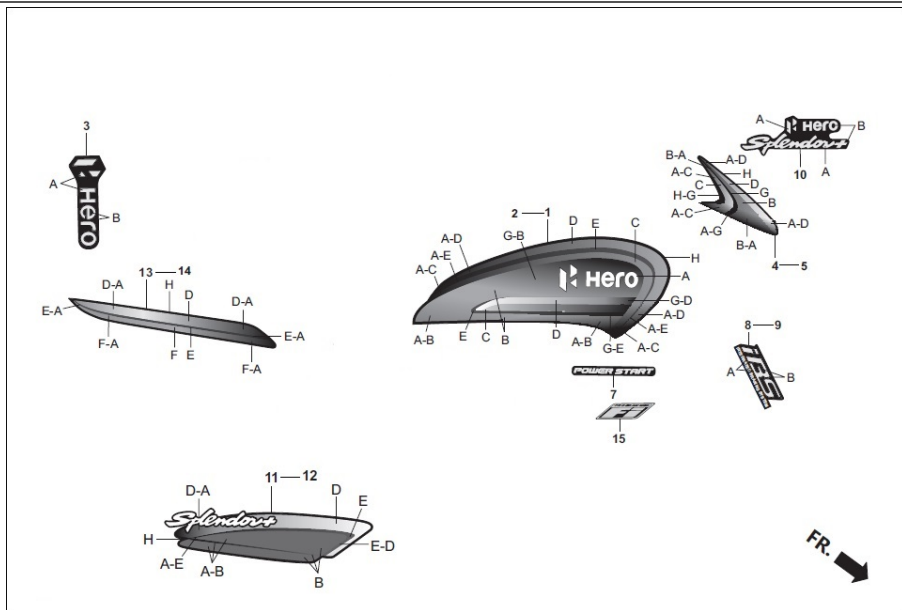
Group Number: F-27-SELF Model :: Splendor+ iBS BSVI (Feb, 2020)

Ref No.	Part Number	Description	Req.
9	86880-AAE-200R	MARK, IBS FR FENDER LH (TYPE-1)	1
	86880-AAE-200T	MARK, IBS FR FENDER LH (TYPE-3)	1

SPECIFIED COLOUR CHART FOR, MARK, IBS FR FENDER RH

SPECIFIED COLOUR TYPE	A	B	MAIN BODY COLOUR
1	FORCE SILVER ME.	BLACK NH-1	BLACK (NH-1) TYPE-1
1	FORCE SILVER ME.	BLACK NH-1	BLACK (NH-1) TYPE-2
1	FORCE SILVER ME.	BLACK NH-1	BLACK (NH-1) TYPE-3
3	FORCE SILVER ME.	TRANSPARENT	EBONY GRAY METALLIC (NH-A63M)
1	FORCE SILVER ME.	BLACK NH-1	BLACK (NH-1) TYPE-4

F-27-SELF STRIPES/MARK



Service Item

F.R.T.

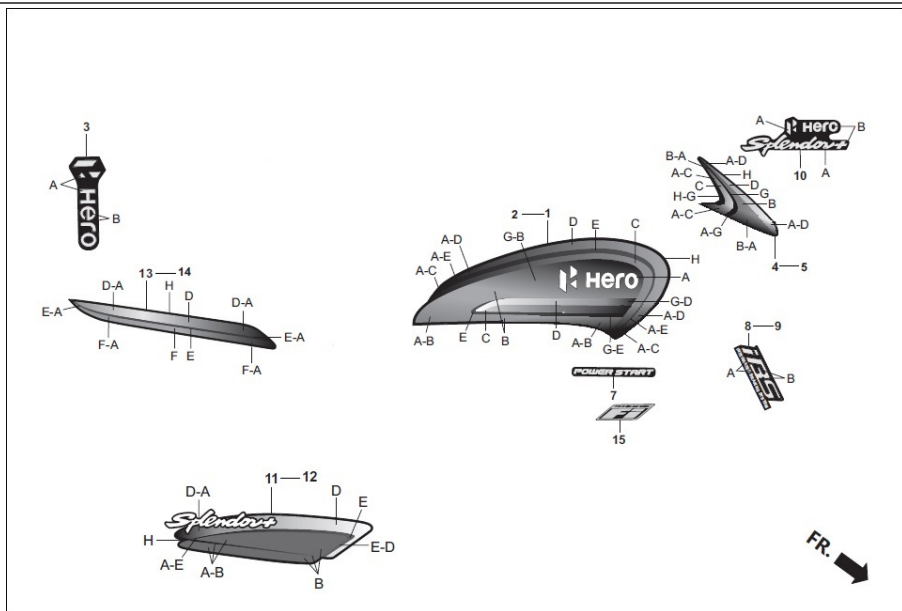
Group Number: F-27-SELF Model :: Splendor+ iBS BSVI (Feb, 2020)

Ref No.	Part Number	Description	Req.
10	86838-AAE-300R	MARK HERO FR VISOR (TYPE-1)	1
	86838-AAE-300S	MARK HERO FR VISOR (TYPE-2)	1

SPECIFIED COLOUR CHART FOR, MARK FR. VISOR

SPECIFIED COLOUR TYPE	A	B	MAIN BODY COLOUR
1	FORCE SILVER	BLACK NH-1	BLACK (NH-1) TYPE-1
1	FORCE SILVER	BLACK NH-1	BLACK (NH-1) TYPE-2
1	FORCE SILVER	BLACK NH-1	BLACK (NH-1) TYPE-3
2	FORCE SILVER	TRANSPARENT	EBONY GRAY METALLIC (NH-A63M)
1	FORCE SILVER	NH-1 BLACK	BLACK (NH-1) TYPE-4

F-27-SELF STRIPES/MARK



Service Item

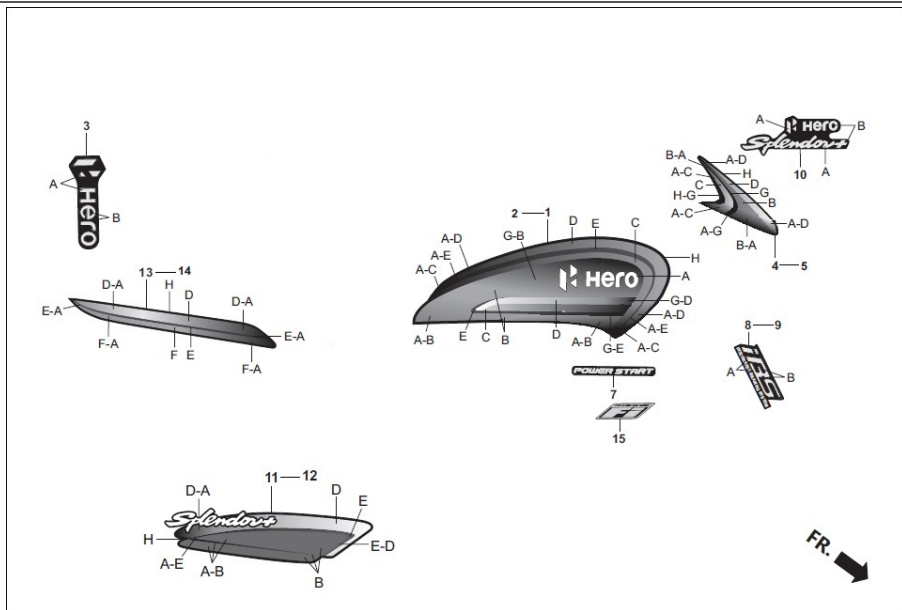
F.R.T.

Group Number: F-27-SELF Model :: Splendor+ iBS BSVI (Feb, 2020)

Ref No.	Part Number	Description	Req.
11	87115-AAE-300R	STRIPE, R SIDE COVER (TYPE-1)	1
	87115-AAE-300S	STRIPE, R SIDE COVER (TYPE-2)	1
	87115-AAE-300T	STRIPE, R SIDE COVER (TYPE-3)	1
	87115-AAE-300U	STRIPE, R SIDE COVER (TYPE-4)	1

SPECIFIED COLOUR CHART FOR, STRIPE R SIDE COVER						
SPECIFIED COLOUR TYPE	A	B	D	E	H	MAIN BODY COLOUR
1	NH-1 BLACK	TORNADO GREY	FORCE SILVER	DARK GREY (CSPL 596)	NH-1 BLACK	BLACK (NH-1) TYPE-1
2	NH-1 BLACK	KCCG PURPLE ME. (CSPL 305)	FORCE SILVER	DARK GREY (CSPL 596)	NH-1 BLACK	BLACK (NH-1) TYPE-2
3	NH-1 BLACK	CANDY BLAZING RED	FORCE SILVER	DARK GREY (CSPL 596)	NH-1 BLACK	BLACK (NH-1) TYPE-3
4	EBONY GRAY	COLUMBIA GREEN	FORCE SILVER	DARK GREY (CSPL 596)	TRANSPARENT	EBONY GRAY METALLIC (NH-A63M)
-	-----	-----	-----	-----	-----	BLACK (NH-1) TYPE-4

F-27-SELF STRIPES/MARK



Service Item

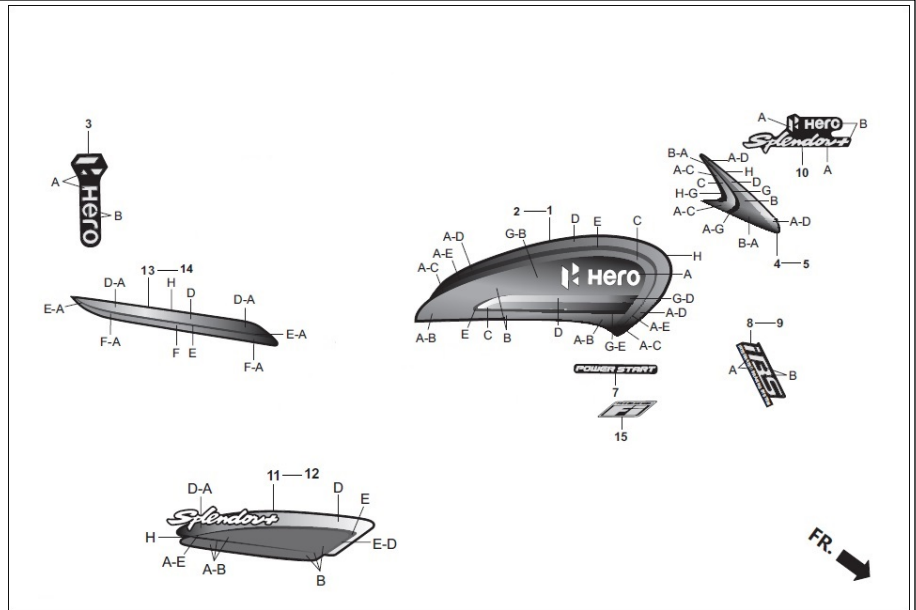
F.R.T.

Group Number: F-27-SELF Model :: Splendor+ iBS BSVI (Feb, 2020)

Ref No.	Part Number	Description	Req.
12	87116-AAE-300R	STRIPE, L SIDE COVER (TYPE-1)	1
	87116-AAE-300S	STRIPE, L SIDE COVER (TYPE-2)	1
	87116-AAE-300T	STRIPE, L SIDE COVER (TYPE-3)	1
	87116-AAE-300U	STRIPE, L SIDE COVER (TYPE-4)	1

SPECIFIED COLOUR CHART FOR, STRIPE L SIDE COVER						
SPECIFIED COLOUR TYPE	A	B	D	E	H	MAIN BODY COLOUR
1	NH-1 BLACK	TORNADO GREY	FORCE SILVER	DARK GREY (CSPL 596)	NH-1 BLACK	BLACK (NH-1) TYPE-1
2	NH-1 BLACK	KCCG PURPLE ME. (CSPL 305)	FORCE SILVER	DARK GREY (CSPL 596)	NH-1 BLACK	BLACK (NH-1) TYPE-2
3	NH-1 BLACK	CANDY BLAZING RED	FORCE SILVER	DARK GREY (CSPL 596)	NH-1 BLACK	BLACK (NH-1) TYPE-3
4	EBONY GRAY	COLUMBIA GREEN	FORCE SILVER	DARK GREY (CSPL 596)	TRANSPARENT	EBONY GRAY METALLIC (NH-A63M)
-	-----	-----	-----	-----	-----	BLACK (NH-1) TYPE-4

F-27-SELF STRIPES/MARK



Service Item

F.R.T.

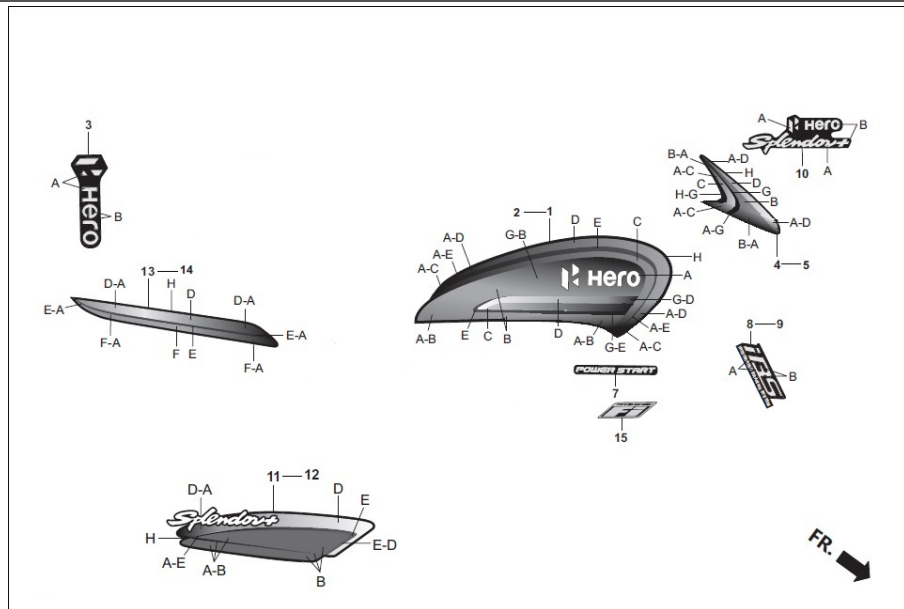
Group Number: F-27-SELF Model :: Splendor+ iBS BSVI (Feb, 2020)

Ref No.	Part Number	Description	Req.
13	87131-AAE-300R	STRIPE, R SIDE COWL (TYPE-1)	1
	87131-AAE-300S	STRIPE, R SIDE COWL (TYPE-2)	1
	87131-AAE-300T	STRIPE, R SIDE COWL (TYPE-3)	1
	87131-AAE-300U	STRIPE, R SIDE COWL (TYPE-4)	1

SPECIFIED COLOUR CHART FOR, STRIPE R SIDE COWL

SPECIFIED COLOUR TYPE	A	D	E	F	H	MAIN BODY COLOUR
1	NH-1 BLACK	FORCE SILVER	DARK GREY (CSPL 596)	TERRA SILVER	NH-1 BLACK	BLACK (NH-1) TYPE-1
2	NH-1 BLACK	FORCE SILVER	DARK GREY (CSPL 596)	KCCG PURPLE ME. (CSPL 305)	NH-1 BLACK	BLACK (NH-1) TYPE-2
3	NH-1 BLACK	FORCE SILVER	DARK GREY (CSPL 596)	CANDY BLAZING RED	NH-1 BLACK	BLACK (NH-1) TYPE-3
4	EBONY GRAY	FORCE SILVER	DARK GREY (CSPL 596)	COLUMBIA GREEN	TRANSPARENT	EBONY GRAY METALLIC (NH-A63M)
-	-----	-----	-----	-----	-----	BLACK (NH-1) TYPE-4

F-27-SELF STRIPES/MARK



Service Item

F.R.T.

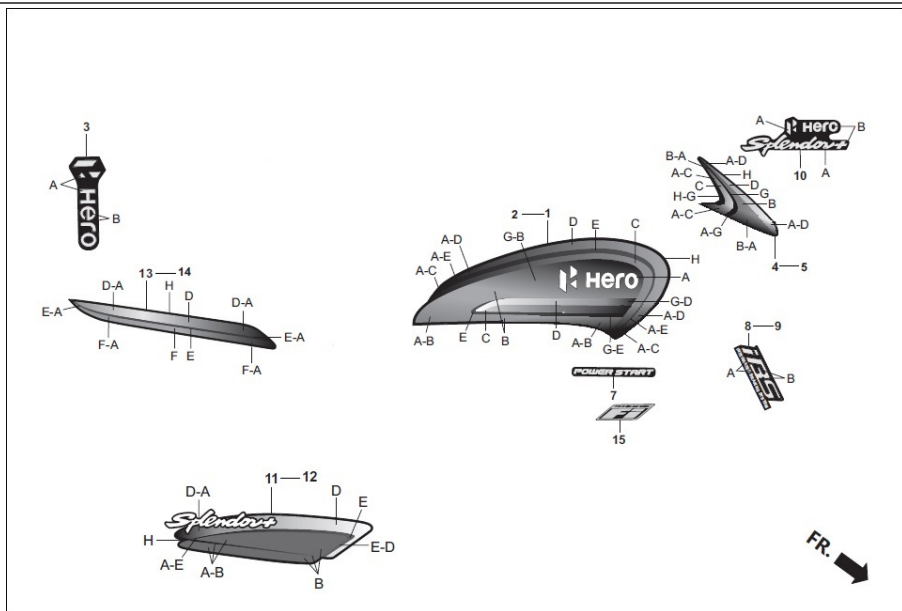
Group Number: F-27-SELF Model :: Splendor+ iBS BSVI (Feb, 2020)

Ref No.	Part Number	Description	Req.
14	87132-AAE-300R	STRIPE, L SIDE COWL (TYPE-1)	1
	87132-AAE-300S	STRIPE, L SIDE COWL (TYPE-2)	1
	87132-AAE-300T	STRIPE, L SIDE COWL (TYPE-3)	1
	87132-AAE-300U	STRIPE, L SIDE COWL (TYPE-4)	1

SPECIFIED COLOUR CHART FOR, STRIPE L SIDE COWL

SPECIFIED COLOUR TYPE	A	D	E	F	H	MAIN BODY COLOUR
1	NH-1 BLACK	FORCE SILVER	DARK GREY (CSPL 596)	TERRA SILVER	NH-1 BLACK	BLACK (NH-1) TYPE-1
2	NH-1 BLACK	FORCE SILVER	DARK GREY (CSPL 596)	KCCG PURPLE ME. (CSPL 305)	NH-1 BLACK	BLACK (NH-1) TYPE-2
3	NH-1 BLACK	FORCE SILVER	DARK GREY (CSPL 596)	CANDY BLAZING RED	NH-1 BLACK	BLACK (NH-1) TYPE-3
4	EBONY GRAY	FORCE SILVER	DARK GREY (CSPL 596)	COLUMBIA GREEN	TRANSPARENT	EBONY GRAY METALLIC (NH-A63M)
-	-----	-----	-----	-----	-----	BLACK (NH-1) TYPE-4

F-27-SELF STRIPES/MARK

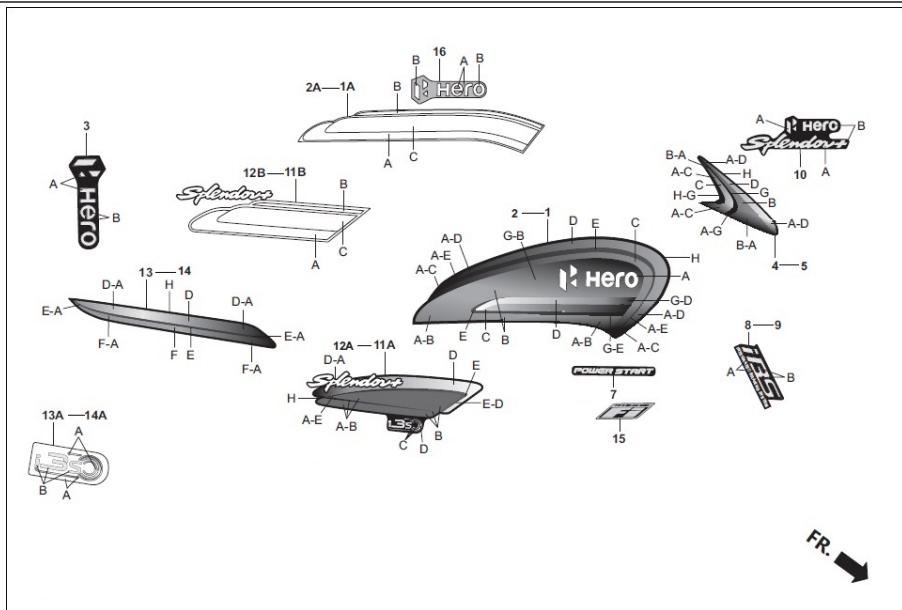


Service Item	F.R.T.	Group Number: F-27-SELF Model :: Splendor+ iBS BSVI (Feb, 2020)			
		Ref No.	Part Number	Description	Req.
		15	85401-AAW-A00	PROGRAMMED FI MARK	2

SPECIFIED COLOUR CHART FOR, PROGRAMMED 'FI' MARK

SPECIFIED COLOUR TYPE		MAIN BODY COLOUR
		BLACK (NH-1) TYPE-1
		BLACK (NH-1) TYPE-2
		BLACK (NH-1) TYPE-3
		EBONY GRAY METALLIC (NH-A63M)
		BLACK (NH-1) TYPE-4

F-27-SELF-i3S STRIPES/MARK



Service Item

F.R.T.

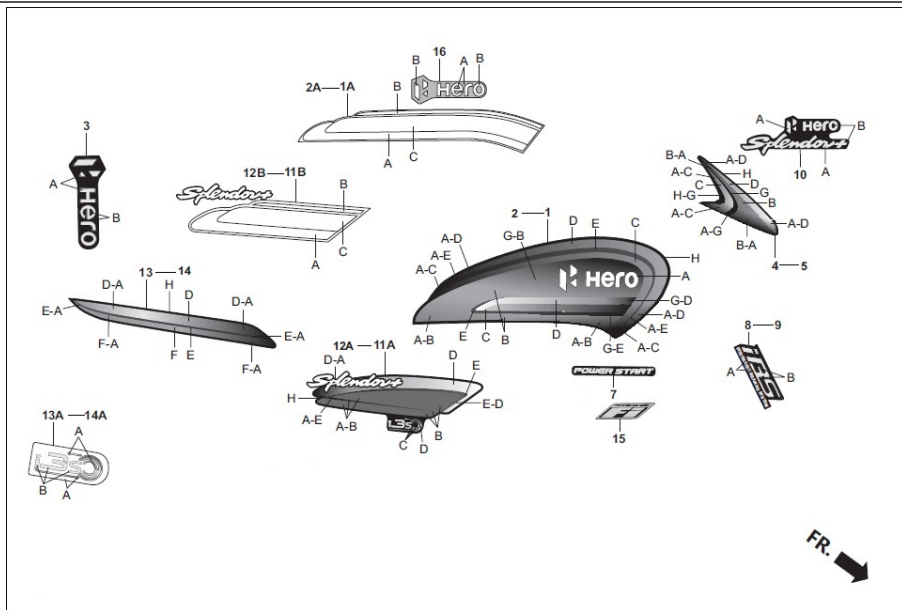
Group Number: F-27-SELF-i3S Model :: Splendor+ iBS BSVI (Feb, 2020)

Ref No.	Part Number	Description	Req.
1	17595-AAE-300R	STRIPE, R FUEL TANK (TYPE-1)	1
	17595-AAE-300S	STRIPE, R FUEL TANK (TYPE-2)	1
	17595-AAE-300T	STRIPE, R FUEL TANK (TYPE-3)	1
	17595-AAE-300U	STRIPE, R FUEL TANK (TYPE-4)	1

SPECIFIED COLOUR CHART FOR, STRIPE RIGHT FUEL TANK

SPECIFIED COLOUR TYPE	A	B	C	D	E	G	H	MAIN BODY COLOUR
1	NH-1 BLACK	TORNADO GREY	TERRA SILVER	FORCE SILVER	DARK GREY (CSPL 596)	NH-1 BLACK	NH-1 BLACK	BLACK (NH-1) TYPE-1
2	NH-1 BLACK	KCCG PURPLE ME. (CSPL 305)	TERRA SILVER	FORCE SILVER	DARK GREY (CSPL 596)	NH-1 BLACK	NH-1 BLACK	BLACK (NH-1) TYPE-2
3	NH-1 BLACK	CANDY BLAZING RED	TERRA SILVER	FORCE SILVER	DARK GREY (CSPL 596)	NH-1 BLACK	NH-1 BLACK	BLACK (NH-1) TYPE-3
4	EBONY GRAY	COLUMBIA GREEN	TERRA SILVER	FORCE SILVER	DARK GREY (CSPL 596)	NH-1 BLACK	TRANSPARENT	EBONY GRAY METALLIC (NH-A63M)
-	-----	-----	-----	-----	-----	-----	-----	BLACK (NH-1) TYPE-4

F-27-SELF-i3S STRIPES/MARK



Service Item

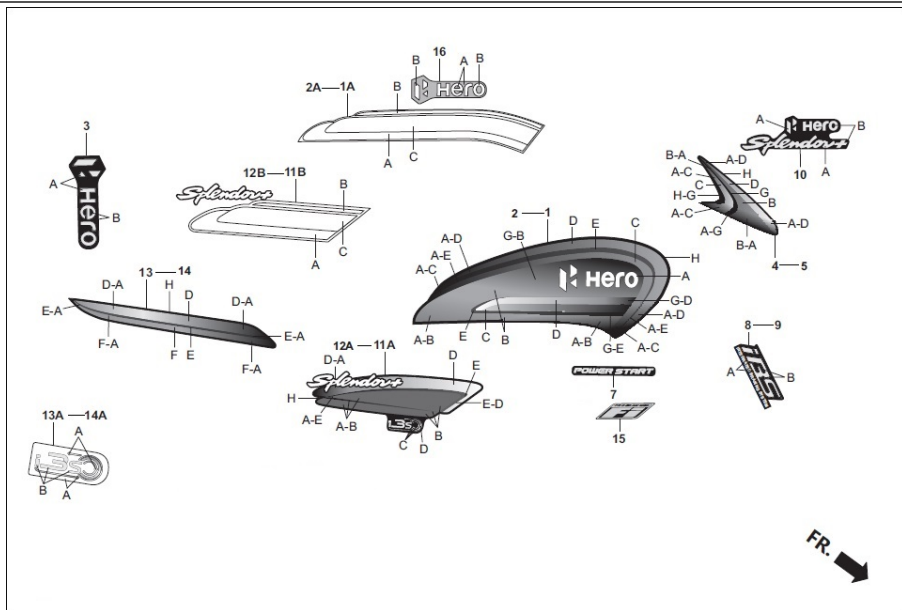
F.R.T.

Group Number: F-27-SELF-i3S Model :: Splendor+ iBS BSVI (Feb, 2020)

Ref No.	Part Number	Description	Req.
1A	17507-KCC-905ZM	STRIPE R FUEL TANK(BLK.M.B.) (TYPE 4)	1

SPECIFIED COLOUR CHART FOR, STRIPE RIGHT FUEL TANK				
SPECIFIED COLOUR TYPE	A	B	C	MAIN BODY COLOUR
-	-----	-----	-----	BLACK (NH-1) TYPE-1
-	-----	-----	-----	BLACK (NH-1) TYPE-2
-	-----	-----	-----	BLACK (NH-1) TYPE-3
-	-----	-----	-----	EBONY GRAY METALLIC (NH-A63M)
5	PURPLE	SILVER ME.	RED	BLACK (NH-1) TYPE-4

F-27-SELF-i3S STRIPES/MARK



Service Item

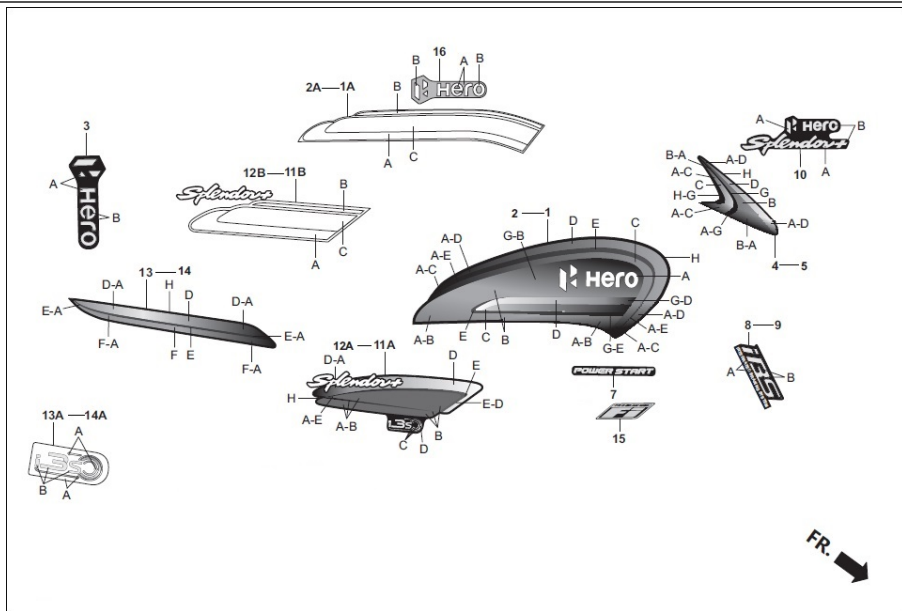
F.R.T.

Group Number: F-27-SELF-i3S Model :: Splendor+ iBS BSVI (Feb, 2020)

Ref No.	Part Number	Description	Req.
2	17596-AAE-300R	STRIPE, L FUEL TANK (TYPE-1)	1
	17596-AAE-300S	STRIPE, L FUEL TANK (TYPE-2)	1
	17596-AAE-300T	STRIPE, L FUEL TANK (TYPE-3)	1
	17596-AAE-300U	STRIPE, L FUEL TANK (TYPE-4)	1

SPECIFIED COLOUR CHART FOR, STRIPE LEFT FUEL TANK								
SPECIFIED COLOUR TYPE	A	B	C	D	E	G	H	MAIN BODY COLOUR
1	NH-1 BLACK	TORNADO GREY	TERRA SILVER	FORCE SILVER	DARK GREY (CSPL 596)	NH-1 BLACK	NH-1 BLACK	BLACK (NH-1) TYPE-1
2	NH-1 BLACK	KCCG PURPLE ME. (CSPL 305)	TERRA SILVER	FORCE SILVER	DARK GREY (CSPL 596)	NH-1 BLACK	NH-1 BLACK	BLACK (NH-1) TYPE-2
3	NH-1 BLACK	CANDY BLAZING RED	TERRA SILVER	FORCE SILVER	DARK GREY (CSPL 596)	NH-1 BLACK	NH-1 BLACK	BLACK (NH-1) TYPE-3
4	EBONY GRAY	COLUMBIA GREEN	TERRA SILVER	FORCE SILVER	DARK GREY (CSPL 596)	NH-1 BLACK	TRANSPARENT	EBONY GRAY METALLIC (NH-A63M)
-	-----	-----	-----	-----	-----	-----	-----	BLACK (NH-1) TYPE-4

F-27-SELF-i3S STRIPES/MARK



Service Item

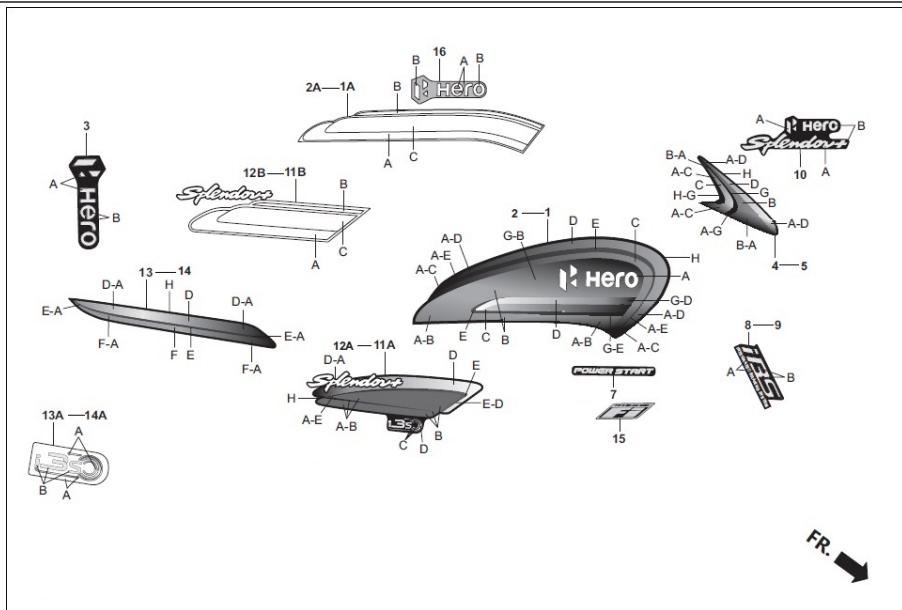
F.R.T.

Group Number: F-27-SELF-i3S Model :: Splendor+ iBS BSVI (Feb, 2020)

Ref No.	Part Number	Description	Req.
2A	17508-KCC-905ZM	STRIPE L FUEL TANK(BLK.M.B.) (TYPE 4)	1

SPECIFIED COLOUR CHART FOR, STRIPE LEFT FUEL TANK				
SPECIFIED COLOUR TYPE	A	B	C	MAIN BODY COLOUR
-	-----	-----	-----	BLACK (NH-1) TYPE-1
-	-----	-----	-----	BLACK (NH-1) TYPE-2
-	-----	-----	-----	BLACK (NH-1) TYPE-3
-	-----	-----	-----	EBONY GRAY METALLIC (NH-A63M)
5	PURPLE	SILVER ME.	RED	BLACK (NH-1) TYPE-4

F-27-SELF-i3S STRIPES/MARK



Service Item

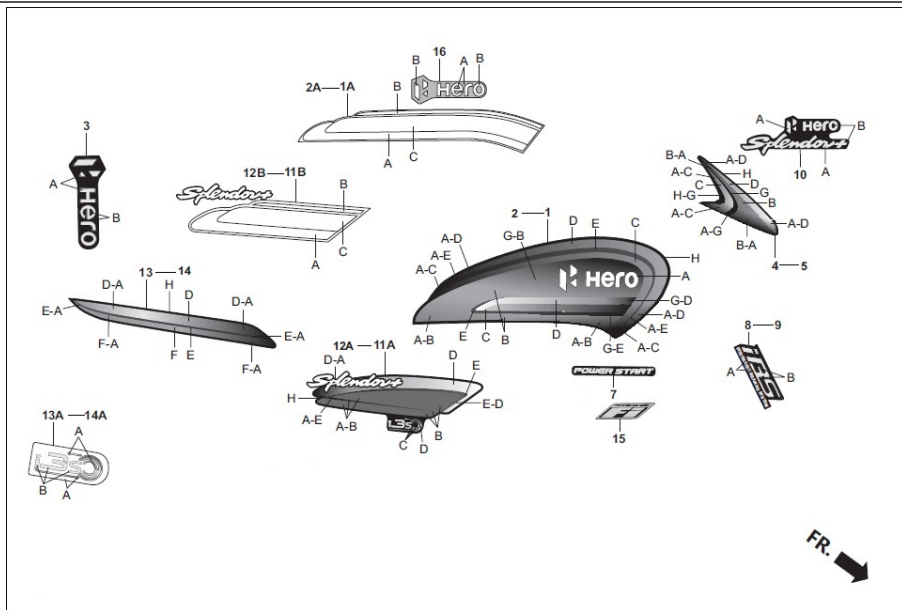
F.R.T.

Group Number: F-27-SELF-i3S Model :: Splendor+ iBS BSVI (Feb, 2020)

Ref No.	Part Number	Description	Req.
3	77238-AAE-300R	MARK, CENTER RR. COWL (TYPE-1)	1
	77238-AAE-300S	MARK, CENTER RR. COWL (TYPE-2)	1

SPECIFIED COLOUR CHART FOR, MARK CENTER RR. COWL			
SPECIFIED COLOUR TYPE	A	B	MAIN BODY COLOUR
1	FORCE SILVER	NH-1 BLACK	BLACK (NH-1) TYPE-1
1	FORCE SILVER	NH-1 BLACK	BLACK (NH-1) TYPE-2
1	FORCE SILVER	NH-1 BLACK	BLACK (NH-1) TYPE-3
2	FORCE SILVER	TRANSPARENT	EBONY GRAY METALLIC (NH-A63M)
1	FORCE SILVER	NH-1 BLACK	BLACK (NH-1) TYPE-4

F-27-SELF-i3S STRIPES/MARK



Service Item

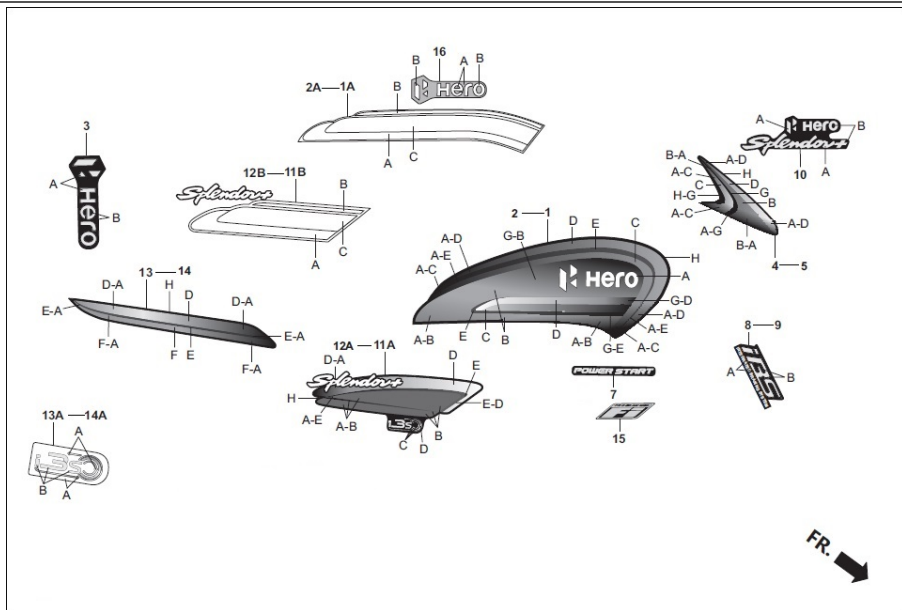
F.R.T.

Group Number: F-27-SELF-i3S Model :: Splendor+ iBS BSVI (Feb, 2020)

Ref No.	Part Number	Description	Req.
4	83408-AAE-300R	STRIPE, R FR VISOR (TYPE-1)	1
	83408-AAE-300S	STRIPE, R FR VISOR (TYPE-2)	1
	83408-AAE-300T	STRIPE, R FR VISOR (TYPE-3)	1
	83408-AAE-300U	STRIPE, R FR VISOR (TYPE-4)	1

SPECIFIED COLOUR CHART FOR, STRIPE RIGHT FR. VISOR							
SPECIFIED COLOUR TYPE	A	B	C	D	G	H	MAIN BODY COLOUR
1	NH-1 BLACK	TORNADO GREY	TERRA SILVER	FORCE SILVER	NH-1 BLACK	NH-1 BLACK	BLACK (NH-1) TYPE-1
2	NH-1 BLACK	KCCG PURPLE ME. (CSPL 305)	TERRA SILVER	FORCE SILVER	NH-1 BLACK	NH-1 BLACK	BLACK (NH-1) TYPE-2
3	NH-1 BLACK	CANDY BLAZING RED	TERRA SILVER	FORCE SILVER	NH-1 BLACK	NH-1 BLACK	BLACK (NH-1) TYPE-3
4	EBONY GRAY	COLUMBIA GREEN	TERRA SILVER	FORCE SILVER	NH-1 BLACK	TRANSPARENT	EBONY GRAY METALLIC (NH-A63M)
-	-----	-----	-----	-----	-----	-----	BLACK (NH-1) TYPE-4

F-27-SELF-i3S STRIPES/MARK



Service Item

F.R.T.

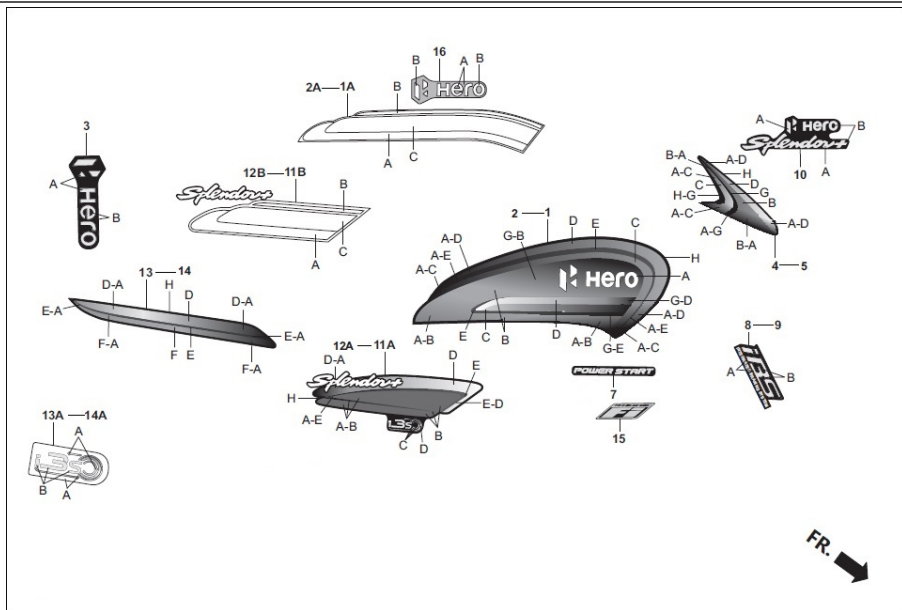
Group Number: F-27-SELF-i3S Model :: Splendor+ iBS BSVI (Feb, 2020)

Ref No.	Part Number	Description	Req.
5	83409-AAE-300R	STRIPE, L FR VISOR (TYPE-1)	1
	83409-AAE-300S	STRIPE, L FR VISOR (TYPE-2)	1
	83409-AAE-300T	STRIPE, L FR VISOR (TYPE-3)	1
	83409-AAE-300U	STRIPE, L FR VISOR (TYPE-4)	1

SPECIFIED COLOUR CHART FOR, STRIPE LEFT FR. VISOR

SPECIFIED COLOUR TYPE	A	B	C	D	G	H	MAIN BODY COLOUR
1	NH-1 BLACK	TORNADO GREY	TERRA SILVER	FORCE SILVER	NH-1 BLACK	NH-1 BLACK	BLACK (NH-1) TYPE-1
2	NH-1 BLACK	KCCG PURPLE ME. (CSPL 305)	TERRA SILVER	FORCE SILVER	NH-1 BLACK	NH-1 BLACK	BLACK (NH-1) TYPE-2
3	NH-1 BLACK	CANDY BLAZING RED	TERRA SILVER	FORCE SILVER	NH-1 BLACK	NH-1 BLACK	BLACK (NH-1) TYPE-3
4	EBONY GRAY	COLUMBIA GREEN	TERRA SILVER	FORCE SILVER	NH-1 BLACK	TRANSPARENT	EBONY GRAY METALLIC (NH-A63M)
-	-----	-----	-----	-----	-----	-----	BLACK (NH-1) TYPE-4

F-27-SELF-i3S
STRIPES/MARK



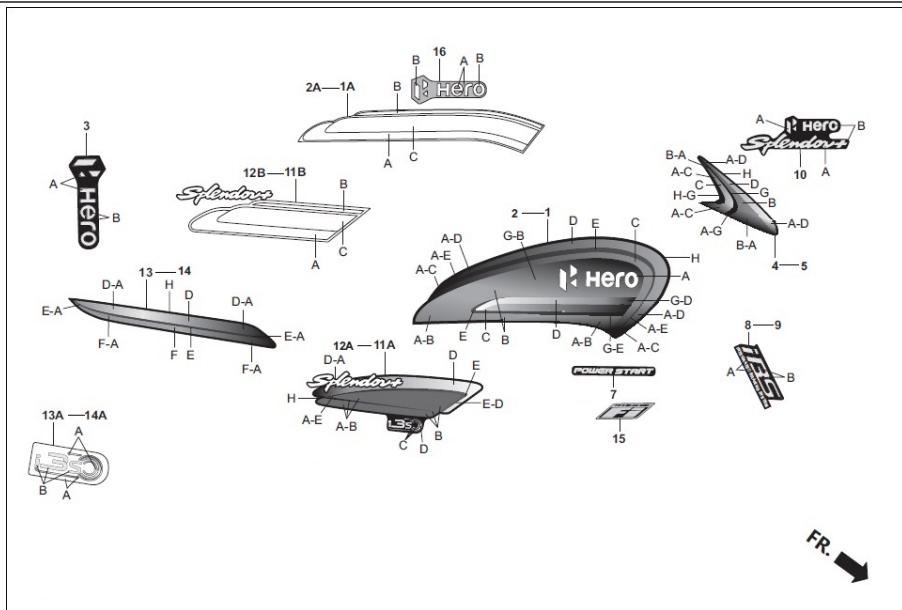
Service Item	F.R.T.	Group Number: F-27-SELF-i3S Model :: Splendor+ iBS BSVI (Feb, 2020)		
		Ref No.	Part Number	Req.
		7	86511-KVH-780	2

MARK, UTILITY BOX COVER (TYPE-1)

SPECIFIED COLOUR CHART FOR, MARK UTILITY BOX COVER

SPECIFIED COLOUR TYPE		MAIN BODY COLOUR
		BLACK (NH-1) TYPE-1
		BLACK (NH-1) TYPE-2
		BLACK (NH-1) TYPE-3
		EBONY GRAY METALLIC (NH-A63M)
		BLACK (NH-1) TYPE-4

F-27-SELF-i3S STRIPES/MARK



Service Item

F.R.T.

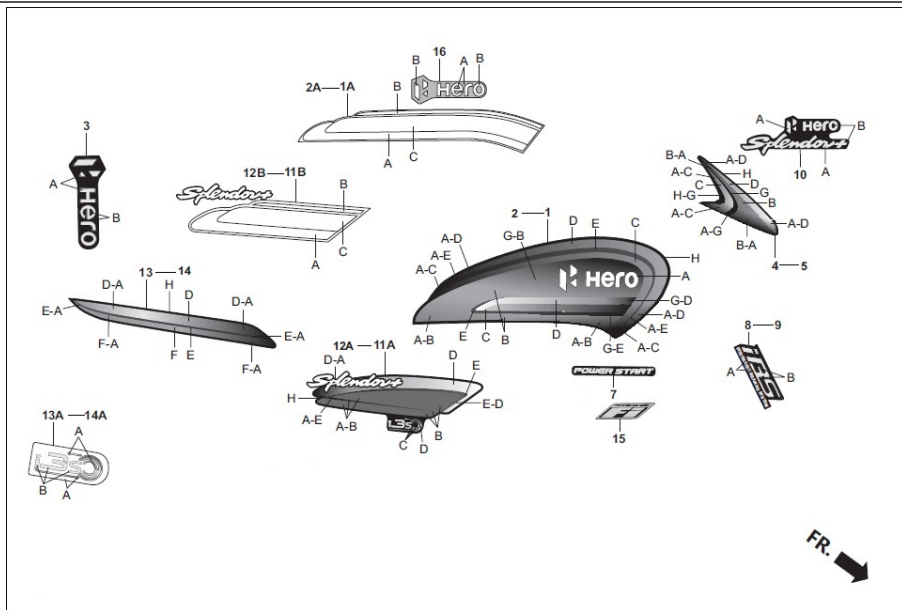
Group Number: F-27-SELF-i3S Model :: Splendor+ iBS BSVI (Feb, 2020)

Ref No.	Part Number	Description	Req.
8	86780-AAE-200R	MARK, IBS FR FENDER RH (TYPE-1)	1
	86780-AAE-200T	MARK, IBS FR FENDER RH (TYPE-3)	1

SPECIFIED COLOUR CHART FOR, MARK, IBS FR FENDER RH

SPECIFIED COLOUR TYPE	A	B	MAIN BODY COLOUR
1	FORCE SILVER ME.	BLACK NH-1	BLACK (NH-1) TYPE-1
1	FORCE SILVER ME.	BLACK NH-1	BLACK (NH-1) TYPE-2
1	FORCE SILVER ME.	BLACK NH-1	BLACK (NH-1) TYPE-3
3	FORCE SILVER ME.	TRANSPARENT	EBONY GRAY METALLIC (NH-A63M)
1	FORCE SILVER ME.	BLACK NH-1	BLACK (NH-1) TYPE-4

F-27-SELF-i3S STRIPES/MARK



Service Item

F.R.T.

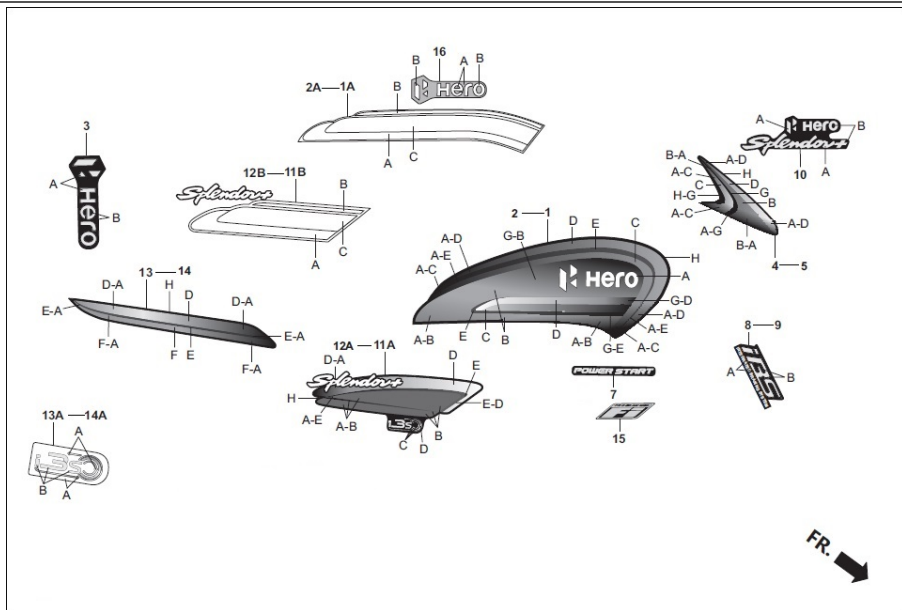
Group Number: F-27-SELF-i3S Model :: Splendor+ iBS BSVI (Feb, 2020)

Ref No.	Part Number	Description	Req.
9	86880-AAE-200R	MARK, IBS FR FENDER LH (TYPE-1)	1
	86880-AAE-200T	MARK, IBS FR FENDER LH (TYPE-3)	1

SPECIFIED COLOUR CHART FOR, MARK, IBS FR FENDER RH

SPECIFIED COLOUR TYPE	A	B	MAIN BODY COLOUR
1	FORCE SILVER ME.	BLACK NH-1	BLACK (NH-1) TYPE-1
1	FORCE SILVER ME.	BLACK NH-1	BLACK (NH-1) TYPE-2
1	FORCE SILVER ME.	BLACK NH-1	BLACK (NH-1) TYPE-3
3	FORCE SILVER ME.	TRANSPARENT	EBONY GRAY METALLIC (NH-A63M)
1	FORCE SILVER ME.	BLACK NH-1	BLACK (NH-1) TYPE-4

F-27-SELF-i3S STRIPES/MARK



Service Item

F.R.T.

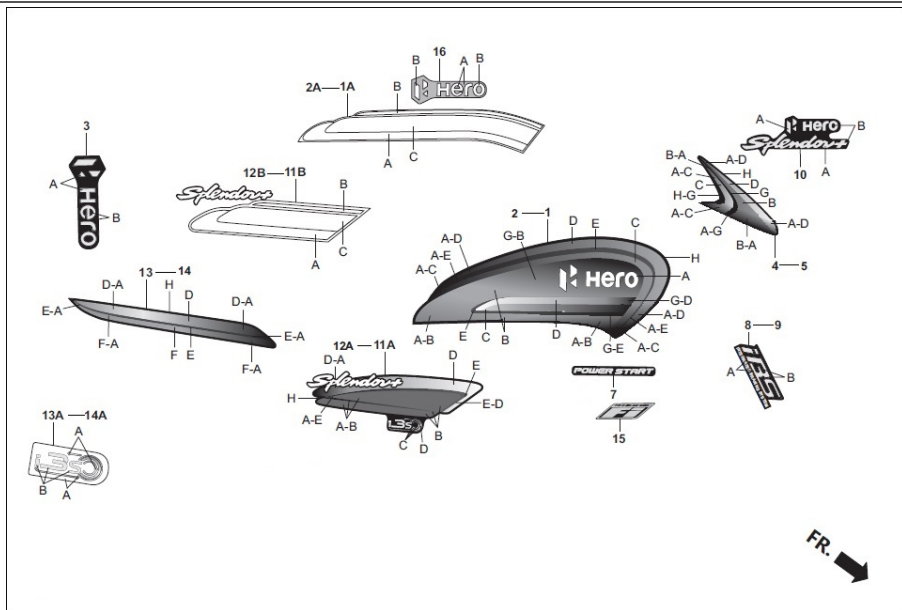
Group Number: F-27-SELF-i3S Model :: Splendor+ iBS BSVI (Feb, 2020)

Ref No.	Part Number	Description	Req.
10	86838-AAE-300R	MARK HERO FR VISOR (TYPE-1)	1
	86838-AAE-300S	MARK HERO FR VISOR (TYPE-2)	1

SPECIFIED COLOUR CHART FOR, MARK FR. VISOR

SPECIFIED COLOUR TYPE	A	B	MAIN BODY COLOUR
1	FORCE SILVER	BLACK NH-1	BLACK (NH-1) TYPE-1
1	FORCE SILVER	BLACK NH-1	BLACK (NH-1) TYPE-2
1	FORCE SILVER	BLACK NH-1	BLACK (NH-1) TYPE-3
2	FORCE SILVER	TRANSPARENT	EBONY GRAY METALLIC (NH-A63M)
1	FORCE SILVER	NH-1 BLACK	BLACK (NH-1) TYPE-4

F-27-SELF-i3S STRIPES/MARK



Service Item

F.R.T.

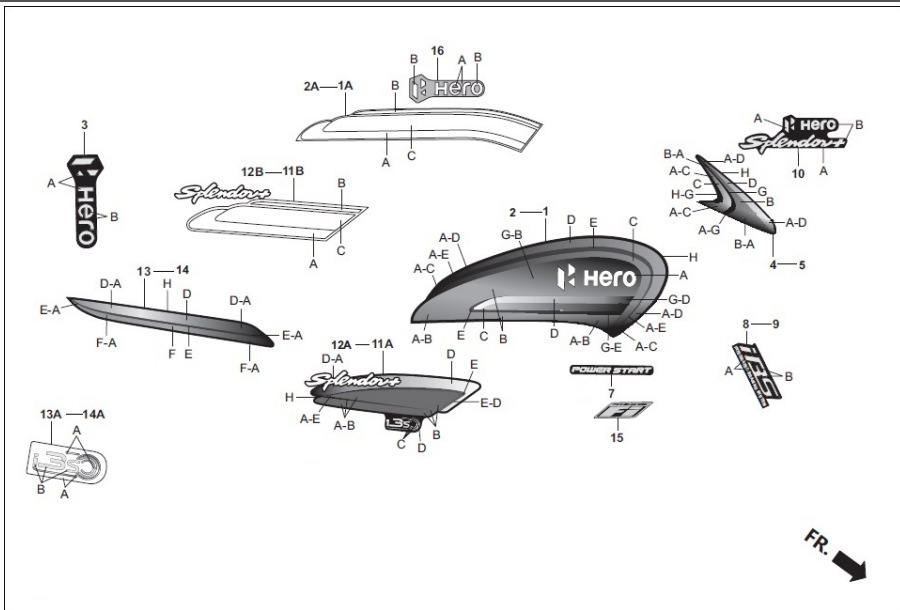
Group Number: F-27-SELF-i3S Model :: Splendor+ iBS BSVI (Feb, 2020)

Ref No.	Part Number	Description	Req.
11A	87115-AAE-310R	STRIPE, R SIDE COVER (TYPE-1) I3S	1
	87115-AAE-310S	STRIPE, R SIDE COVER (TYPE-2) I3S	1
	87115-AAE-310T	STRIPE, R SIDE COVER (TYPE-3) I3S	1
	87115-AAE-310U	STRIPE, R SIDE COVER (TYPE-4) I3S	1

SPECIFIED COLOUR CHART FOR, STRIPE R SIDE COVER (i3S)

SPECIFIED COLOUR TYPE	A	B	C	D	E	H	MAIN BODY COLOUR
1	NH-1 BLACK	TORNADO GREY	TERRA SILVER	FORCE SILVER	DARK GREY (CSPL 596)	NH-1 BLACK	BLACK (NH-1) TYPE-1
2	NH-1 BLACK	KCCG PURPLE ME. (CSPL 305)	TERRA SILVER	FORCE SILVER	DARK GREY (CSPL 596)	NH-1 BLACK	BLACK (NH-1) TYPE-2
3	NH-1 BLACK	CANDY BLAZING RED	TERRA SILVER	FORCE SILVER	DARK GREY (CSPL 596)	NH-1 BLACK	BLACK (NH-1) TYPE-3
4	EBONY GRAY	COLUMBIA GREEN	TERRA SILVER	FORCE SILVER	DARK GREY (CSPL 596)	TRANSPARENT	EBONY GRAY METALLIC (NH-A63M)
-	-----	-----	-----	-----	-----	-----	BLACK (NH-1) TYPE-4

F-27-SELF-i3S
STRIPES/MARK



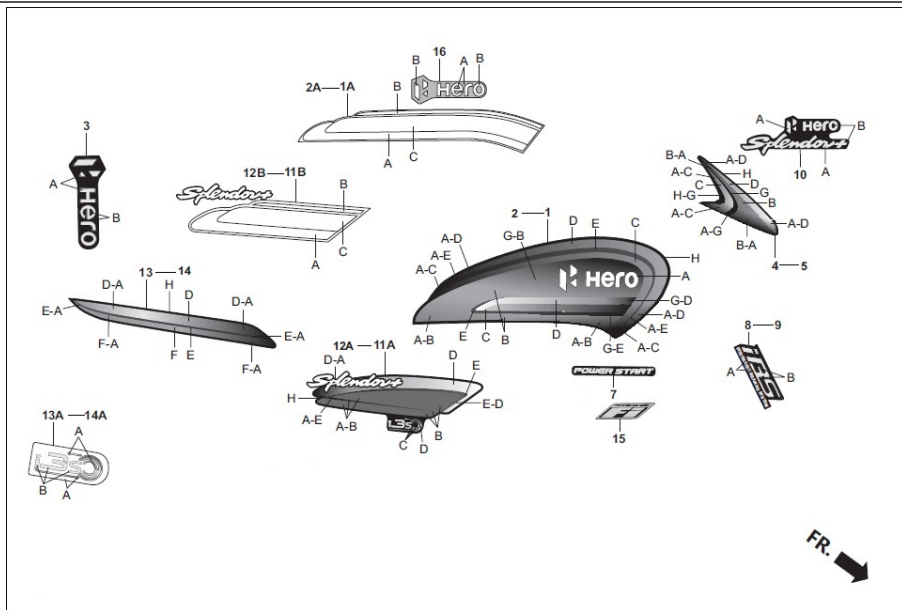
Service Item	F.R.T.	Group Number: F-27-SELF-i3S Model :: Splendor+ iBS BSVI (Feb, 2020)		
		Ref No.	Part Number	Req.
		11B	87115-KCC-905ZM	1

Group Number: F-27-SELF-i3S Model :: Splendor+ iBS BSVI (Feb, 2020)

Ref No.	Part Number	Description	Req.
11B	87115-KCC-905ZM	STRIPE R.SIDE COVER.(BLK.M.B.) (TYPE-3)	1

SPECIFIED COLOUR CHART FOR, STRIPE R SIDE COVER				
SPECIFIED COLOUR TYPE	A	B	C	MAIN BODY COLOUR
-	-----	-----	-----	BLACK (NH-1) TYPE-1
-	-----	-----	-----	BLACK (NH-1) TYPE-2
-	-----	-----	-----	BLACK (NH-1) TYPE-3
-	-----	-----	-----	EBONY GRAY METALLIC (NH-A63M)
5	PURPLE	SILVER ME.	RED	BLACK (NH-1) TYPE-4

F-27-SELF-i3S STRIPES/MARK



Service Item

F.R.T.

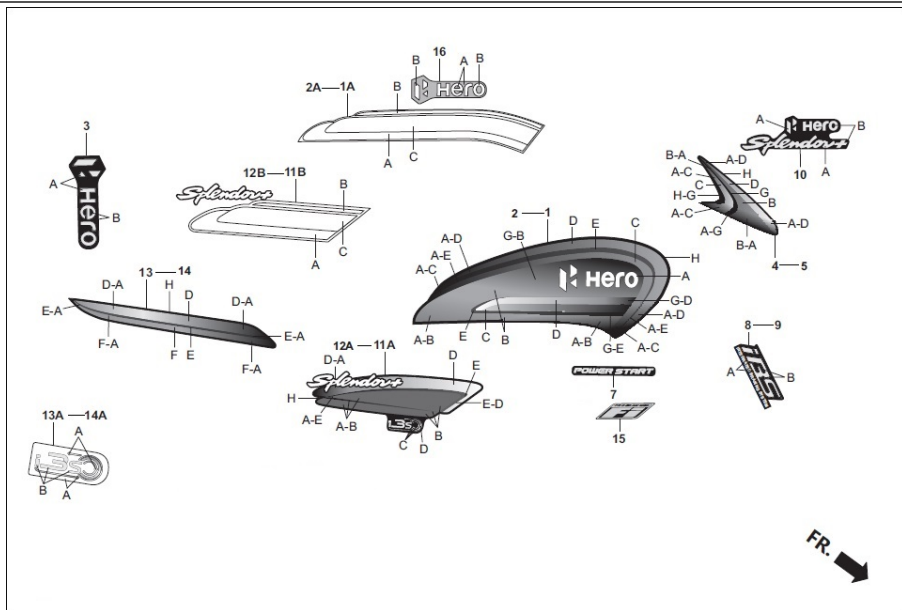
Group Number: F-27-SELF-i3S Model :: Splendor+ iBS BSVI (Feb, 2020)

Ref No.	Part Number	Description	Req.
12A	87116-AAE-310R	STRIPE, L SIDE COVER (TYPE-1) I3S	1
	87116-AAE-310S	STRIPE, L SIDE COVER (TYPE-2) I3S	1
	87116-AAE-310T	STRIPE, L SIDE COVER (TYPE-3) I3S	1
	87116-AAE-310U	STRIPE, L SIDE COVER (TYPE-4) I3S	1

SPECIFIED COLOUR CHART FOR, STRIPE L SIDE COVER (i3S)

SPECIFIED COLOUR TYPE	A	B	C	D	E	H	MAIN BODY COLOUR
1	NH-1 BLACK	TORNADO GREY	TERRA SILVER	FORCE SILVER	DARK GREY (CSPL 596)	NH-1 BLACK	BLACK (NH-1) TYPE-1
2	NH-1 BLACK	KCCG PURPLE ME. (CSPL 305)	TERRA SILVER	FORCE SILVER	DARK GREY (CSPL 596)	NH-1 BLACK	BLACK (NH-1) TYPE-2
3	NH-1 BLACK	CANDY BLAZING RED	TERRA SILVER	FORCE SILVER	DARK GREY (CSPL 596)	NH-1 BLACK	BLACK (NH-1) TYPE-3
4	EBONY GRAY	COLUMBIA GREEN	TERRA SILVER	FORCE SILVER	DARK GREY (CSPL 596)	TRANSPARENT	EBONY GRAY METALLIC (NH-A63M)
-	-----	-----	-----	-----	-----	-----	BLACK (NH-1) TYPE-4

F-27-SELF-i3S STRIPES/MARK



Service Item

F.R.T.

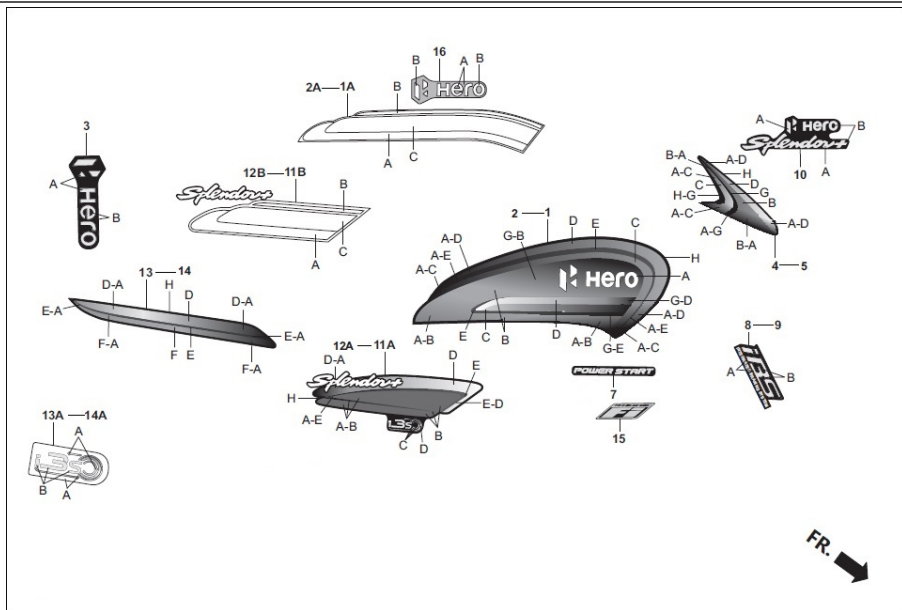
Group Number: F-27-SELF-i3S Model :: Splendor+ iBS BSVI (Feb, 2020)

Ref No.	Part Number	Description	Req.
12B	87116-KCC-905ZM	STRIPE L.SIDE COVER (BLK.M.B.) (TYPE-3)	1

SPECIFIED COLOUR CHART FOR, STRIPE L SIDE COVER (i3S)

SPECIFIED COLOUR TYPE	A	B	C	MAIN BODY COLOUR
-	-----	-----	-----	BLACK (NH-1) TYPE-1
-	-----	-----	-----	BLACK (NH-1) TYPE-2
-	-----	-----	-----	BLACK (NH-1) TYPE-3
-	-----	-----	-----	EBONY GRAY METALLIC (NH-A63M)
5	PURPLE	SILVER ME.	RED	BLACK (NH-1) TYPE-4

F-27-SELF-i3S STRIPES/MARK



Service Item

F.R.T.

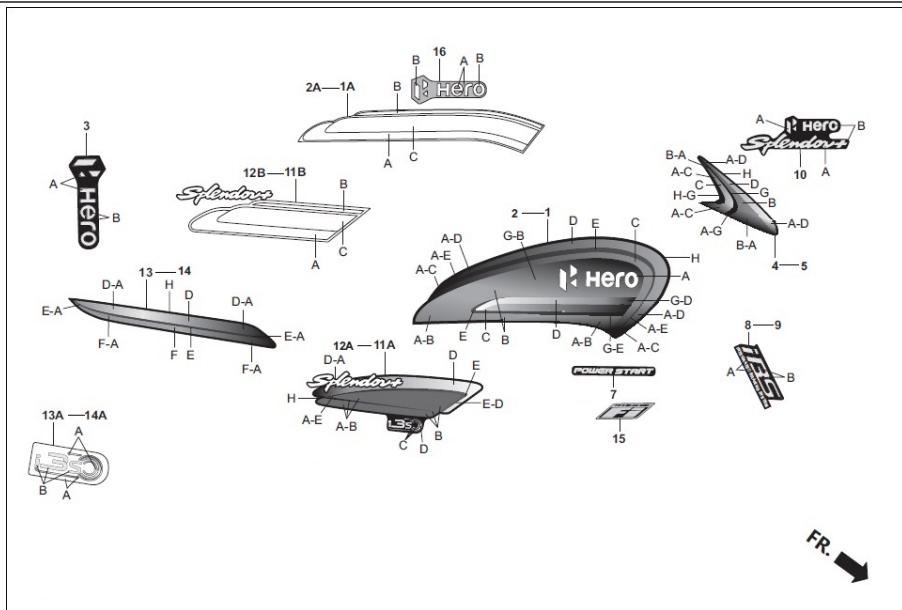
Group Number: F-27-SELF-i3S Model :: Splendor+ iBS BSVI (Feb, 2020)

Ref No.	Part Number	Description	Req.
13	87131-AAE-300R	STRIPE, R SIDE COWL (TYPE-1)	1
	87131-AAE-300S	STRIPE, R SIDE COWL (TYPE-2)	1
	87131-AAE-300T	STRIPE, R SIDE COWL (TYPE-3)	1
	87131-AAE-300U	STRIPE, R SIDE COWL (TYPE-4)	1

SPECIFIED COLOUR CHART FOR, STRIPE R SIDE COWL

SPECIFIED COLOUR TYPE	A	D	E	F	H	MAIN BODY COLOUR
1	NH-1 BLACK	FORCE SILVER	DARK GREY (CSPL 596)	TERRA SILVER	NH-1 BLACK	BLACK (NH-1) TYPE-1
2	NH-1 BLACK	FORCE SILVER	DARK GREY (CSPL 596)	KCCG PURPLE ME. (CSPL 305)	NH-1 BLACK	BLACK (NH-1) TYPE-2
3	NH-1 BLACK	FORCE SILVER	DARK GREY (CSPL 596)	CANDY BLAZING RED	NH-1 BLACK	BLACK (NH-1) TYPE-3
4	EBONY GRAY	FORCE SILVER	DARK GREY (CSPL 596)	COLUMBIA GREEN	TRANSPARENT	EBONY GRAY METALLIC (NH-A63M)
-	-----	-----	-----	-----	-----	BLACK (NH-1) TYPE-4

F-27-SELF-i3S
STRIPES/MARK



Service Item

F.R.T.

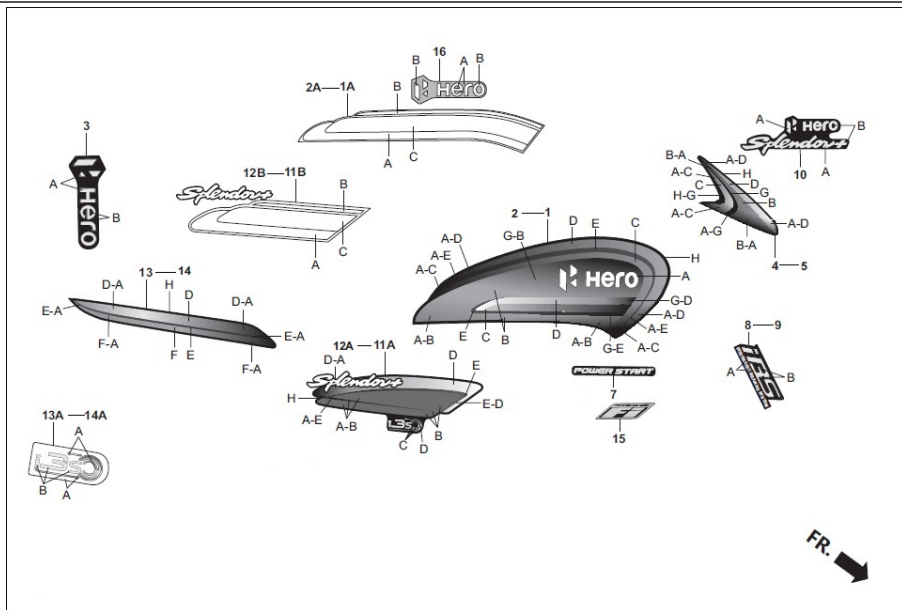
Group Number: F-27-SELF-i3S Model :: Splendor+ iBS BSVI (Feb, 2020)

Ref No.	Part Number	Description	Req.
13A	87131-AAE-100	STRIPE, R SIDE COWL (TYPE-5)	1

SPECIFIED COLOUR CHART FOR, STRIPE R SIDE COWL

SPECIFIED COLOUR TYPE	A	B	C	D	MAIN BODY COLOUR
-	-----	-----	-----	-----	BLACK (NH-1) TYPE-1
-	-----	-----	-----	-----	BLACK (NH-1) TYPE-2
-	-----	-----	-----	-----	BLACK (NH-1) TYPE-3
-	-----	-----	-----	-----	EBONY GRAY METALLIC (NH-A63M)
5	NH-1 BLACK	WHITE 2	TERRA SILVER ME.	FORCE SILVER ME.	BLACK (NH-1) TYPE-4

F-27-SELF-i3S STRIPES/MARK



Service Item

F.R.T.

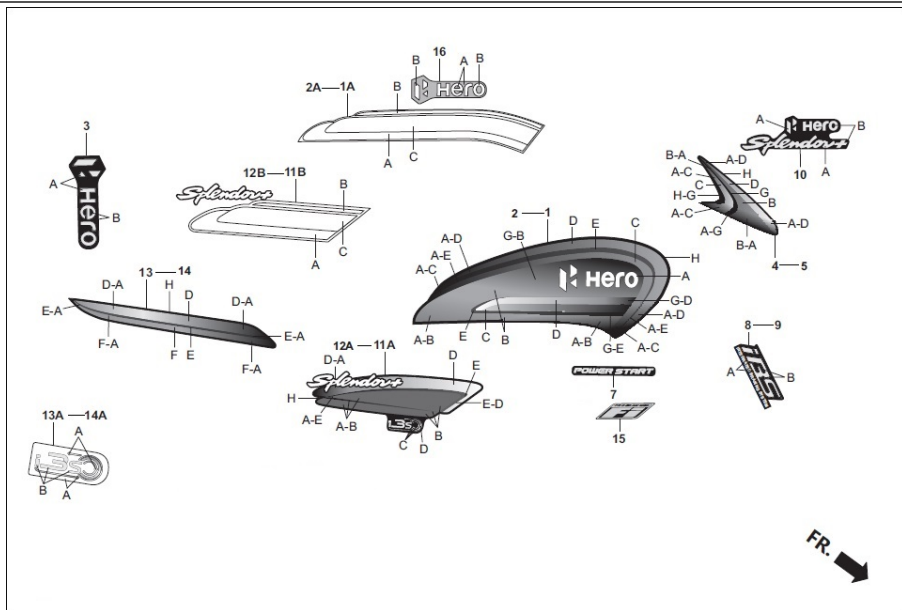
Group Number: F-27-SELF-i3S Model :: Splendor+ iBS BSVI (Feb, 2020)

Ref No.	Part Number	Description	Req.
14	87132-AAE-300R	STRIPE, L SIDE COWL (TYPE-1)	1
	87132-AAE-300S	STRIPE, L SIDE COWL (TYPE-2)	1
	87132-AAE-300T	STRIPE, L SIDE COWL (TYPE-3)	1
	87132-AAE-300U	STRIPE, L SIDE COWL (TYPE-4)	1

SPECIFIED COLOUR CHART FOR, STRIPE L SIDE COWL

SPECIFIED COLOUR TYPE	A	D	E	F	H	MAIN BODY COLOUR
1	NH-1 BLACK	FORCE SILVER	DARK GREY (CSPL 596)	TERRA SILVER	NH-1 BLACK	BLACK (NH-1) TYPE-1
2	NH-1 BLACK	FORCE SILVER	DARK GREY (CSPL 596)	KCCG PURPLE ME. (CSPL 305)	NH-1 BLACK	BLACK (NH-1) TYPE-2
3	NH-1 BLACK	FORCE SILVER	DARK GREY (CSPL 596)	CANDY BLAZING RED	NH-1 BLACK	BLACK (NH-1) TYPE-3
4	EBONY GRAY	FORCE SILVER	DARK GREY (CSPL 596)	COLUMBIA GREEN	TRANSPARENT	EBONY GRAY METALLIC (NH-A63M)
-	-----	-----	-----	-----	-----	BLACK (NH-1) TYPE-4

F-27-SELF-i3S STRIPES/MARK



Service Item

F.R.T.

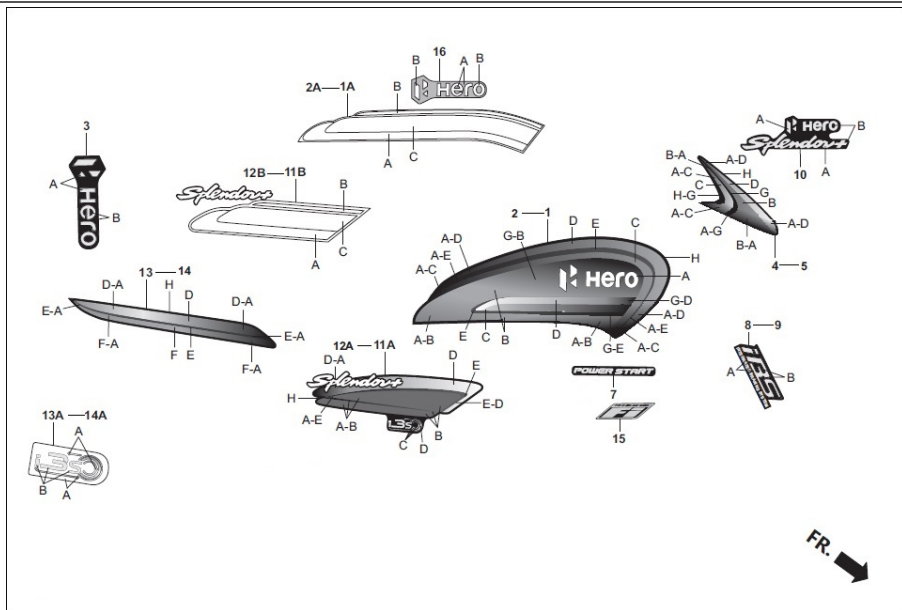
Group Number: F-27-SELF-i3S Model :: Splendor+ iBS BSVI (Feb, 2020)

Ref No.	Part Number	Description	Req.
14A	87132-AAE-100	STRIPE, L SIDE COWL (TYPE-5)	1

SPECIFIED COLOUR CHART FOR, STRIPE L SIDE COWL

SPECIFIED COLOUR TYPE	A	B	C	D	MAIN BODY COLOUR
-	-----	-----	-----	-----	BLACK (NH-1) TYPE-1
-	-----	-----	-----	-----	BLACK (NH-1) TYPE-2
-	-----	-----	-----	-----	BLACK (NH-1) TYPE-3
-	-----	-----	-----	-----	EBONY GRAY METALLIC (NH-A63M)
5	NH-1 BLACK	WHITE 2	TERRA SILVER ME.	FORCE SILVER ME.	BLACK (NH-1) TYPE-4

F-27-SELF-i3S STRIPES/MARK



Service Item

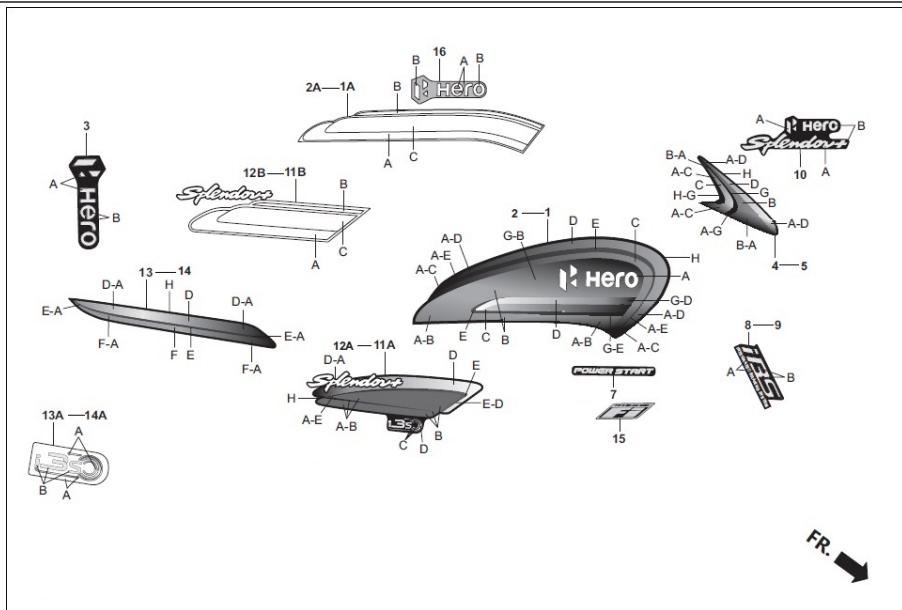
F.R.T.

Group Number: F-27-SELF-i3S Model :: Splendor+ iBS BSVI (Feb, 2020)

Ref No.	Part Number	Description	Req.
15	85401-AAW-A00	PROGRAMMED FI MARK	2

SPECIFIED COLOUR CHART FOR, PROGRAMMED 'FI' MARK	
SPECIFIED COLOUR TYPE	MAIN BODY COLOUR
	BLACK (NH-1) TYPE-1
	BLACK (NH-1) TYPE-2
	BLACK (NH-1) TYPE-3
	EBONY GRAY METALLIC (NH-A63M)
	BLACK (NH-1) TYPE-4

F-27-SELF-i3S STRIPES/MARK



FR. →

Service Item

F.R.T.

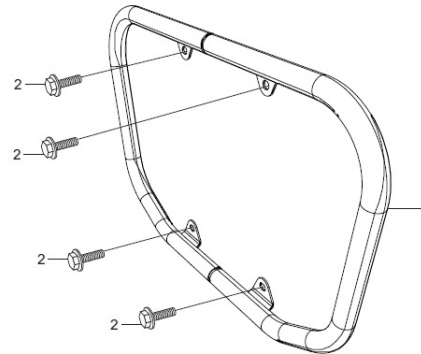
Group Number: F-27-SELF-i3S Model :: Splendor+ iBS BSVI (Feb, 2020)

Ref No.	Part Number	Description	Req.
16	17506-AAE-3054	HERO MARK FUEL TANK	2

SPECIFIED COLOUR CHART FOR, HERO MARK FUEL TANK

SPECIFIED COLOUR TYPE	A	B	MAIN BODY COLOUR
-	-----	-----	BLACK (NH-1) TYPE-1
-	-----	-----	BLACK (NH-1) TYPE-2
-	-----	-----	BLACK (NH-1) TYPE-3
-	-----	-----	EBONY GRAY METALLIC (NH-A63M)
5	NH-1 BLACK	FORCE SILVER	BLACK (NH-1) TYPE-4

F-28
GUARD ENGINE



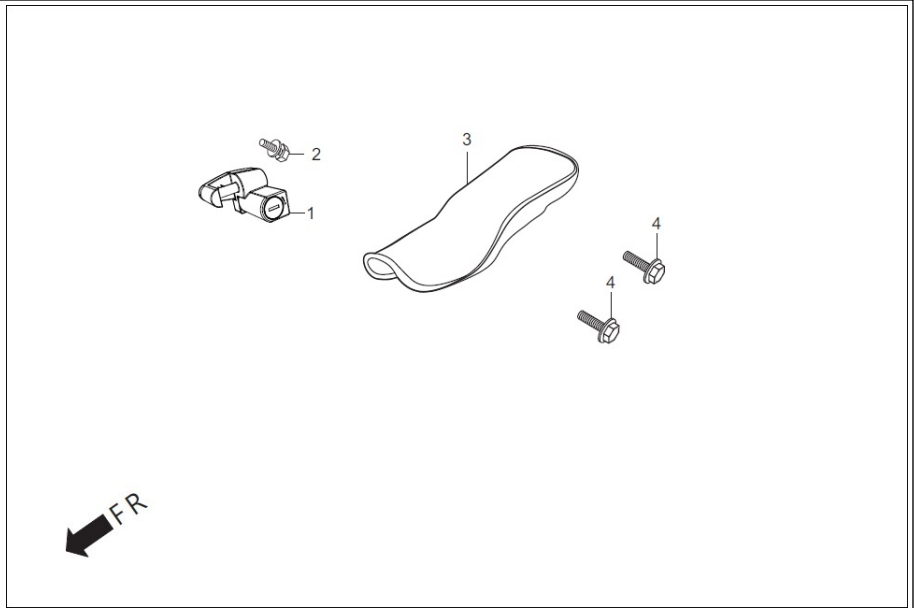
FR.

Service Item	F.R.T.
*GUARD, ENGINE	--

Group Number: F-28 **Model ::** Splendor+ iBS BSVI (Feb, 2020)

Ref No.	Part Number	Description	Req.
1	50803-KST-940	GUARD ENGINE	1
2	95701-08016-00	BOLT, FLANGE, 8X16	4

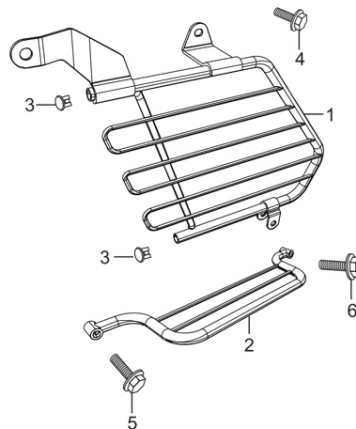
F-28A
(OPTIONAL)



Service Item	F.R.T.
*FENDER COMP., RR	0.6
*BRAKET NO. PLATE	--
*PLATE RR. WINKER SET	--

Group Number: F-28A Model :: Splendor+ iBS BSVI (Feb, 2020)			
Ref No.	Part Number	Description	Req.
1	50720-AAE-H00	HOLDER ASSY.HELMET	1
2	90107-428-000	BOLT,B SPECIAL,6 MM	1
3	99635-AAE-100	COVER ASSY. SEAT	1
4	90083-ACK-000	BOLT KNOCK 5MM	2

F-29
GUARD SARI STEP PILLION WOMEN

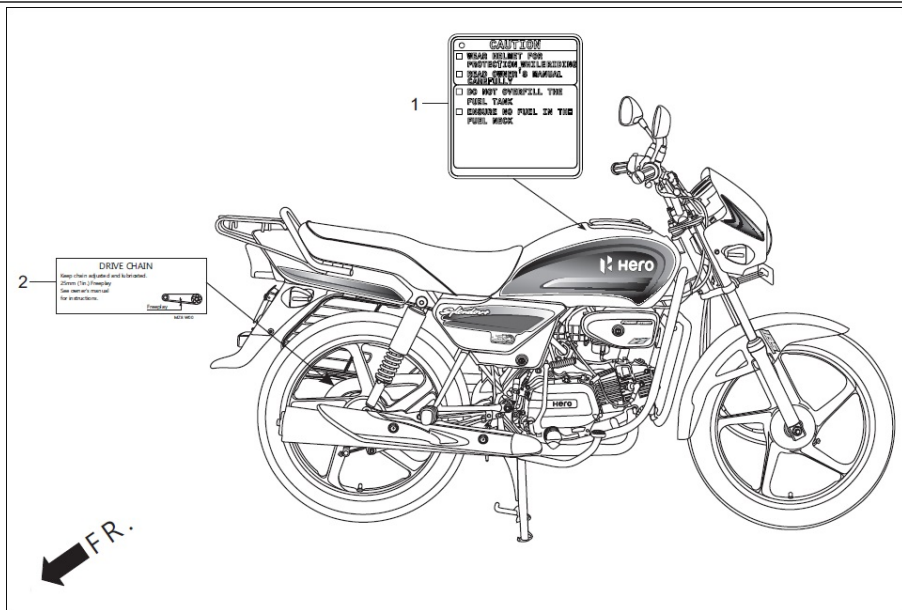


FR.

Group Number: F-29 Model :: Splendor+ iBS BSVI (Feb, 2020)

Ref No.	Part Number	Description	Req.
1	51103-AAE-H00	GUARD SAREE	1
2	51104-AAE-H00	STEP PILLION	1
3	51106-KCC-900	CAP, GUARD SARI	2
4	95701-08016-00	BOLT, FLANGE, 8X16	1
5	95701-08028-00	BOLT FLANGE, 8 X 28	1
6	95701-08035-00	BOLT, FLANGE, 8 X 35	1

F-30
MARK/CAUTION



Service Item

F.R.T.

Group Number: F-30 Model :: Splendor+ iBS BSVI (Feb, 2020)

Ref No.	Part Number	Description	Req.
1	87560-ACK-000	MARK, CAUTION	1
2	87507-MZ8-W00	LABEL, CHAIN DRIVE	1

PARTS INDEX

PART NO	BLOCK	PART NO	BLOCK
1110A-AAE-300	E-8-KICK	14721-AAE-H10	E-3
1110A-AAE-300	E-8-SELF	14751-GBG-900	E-3
1110A-AAE-310	E-8-SELF-i3S	14761-GBG-900	E-3
1120A-AAE-300	E-8-KICK	14771-GB4-680	E-3
1120A-AAE-340	E-8-SELF	14775-MA6-000	E-3
1120A-AAE-340	E-8-SELF-i3S	14781-MA6-000	E-3
1450A-ACK-000	E-4	15100-ACK-001	E-8A
2830A-KST-A10	F-17	15421-035-010	E-8A
3340A-KCC-710	F-22	15431-ACK-000	E-6
3345A-KCC-710	F-22	15431-ACK-000	E-6A
3360A-KCC-710	F-22	15439-AAH-00099	E-6
3365A-KCC-710	F-22	15439-AAH-00099	E-6A
4052A-AAE-200	F-19	15441-198-000	E-6
7720B-AAD-300	F-12	15441-198-000	E-6A
7720B-AAD-300	F-12-SELF-i3S	15650-AAC-H00	E-5
11191-AAH-00099	E-8-KICK	15661-198-000	E-6
11191-AAH-00099	E-8-SELF	15661-198-000	E-6A
11191-AAH-00099	E-8-SELF-i3S	16210-ACK-000	E-13A
11218-ACK-000	E-8-KICK	16229-ACK-00099	E-13A
11218-ACK-000	E-8-SELF	16400-AAE-300	E-13
11218-ACK-000	E-8-SELF-i3S	16400-AAE-3000-17	E-13
11330-AAD-H00	E-5	16400-AAE-3000-11	E-13
11341-AAE-300	E-7-KICK	16400-AAL-9000-16	E-13
11341-AAE-340	E-7A-SELF	16400-AAL-9000-18	E-13
11347-KTR-940	E-8-KICK	16400-AAL-9000-17	E-13
11347-KTR-940	E-8-SELF	16400-AAL-9000-15	E-13
11347-KTR-940	E-8-SELF-i3S	16400-AAL-9000-19	E-13
11360-AAE-300	E-7-KICK	16400-AAL-9000-10	E-13
11360-AAE-300	E-7A-SELF	16400-AAL-9000-13	E-13

11394-AAJ-500	E-5	16400-AAL-9000-14	E-13
11395-ACK-00099	E-7-KICK	16400-AAL-9000-12	E-13
11395-ACK-01099	E-7A-SELF	16424-AAE-300	E-13A
12101-AAE-300	E-2	16450-AAL-901	E-13A
12191-AAH-F0099	E-2	16452-AAL-901	E-13A
12200-AAE-300	E-2	16453-AAL-901	E-13A
12209-AAN-410	E-3	16700-AAE-300	F-13
12251-ACK-000	E-2	16700-AAE-300	F-13-SELF-i3S
12301-KWH-960	E-1	16701-AAE-300	F-13
12331-KWH-960	E-1	16701-AAE-300	F-13-SELF-i3S
12341-KWH-960	E-1	16702-AAL-901	F-13
12361-035-000	E-1	16702-AAL-901	F-13-SELF-i3S
12391-AAH-00099	E-1	17110-AAE-300	E-13A
12394-AAH-00099	E-1	17208-AAT-000	F-15
12395-AAH-00099	E-1	17210-ACK-000	F-15
13000-ACK-000	E-9	17214-ACK-000	F-15
13011-AAF-00099	E-9	17218-AAT-000	F-15
13101-AAF-00099	E-9	17219-KTC-900	F-15
13111-087-000	E-9	17224-AAE-300	F-15
13115-001-000	E-9	17225-ACK-000	F-15
13201-ACK-000	E-9	17227-ACK-000	F-15
14100-ACK-000	E-3	17230-AAH-100	F-13A
14311-ACK-000	E-9	17235-ACK-000	F-15
14321-AAD-200	E-4	17251-ACK-000	F-15
14401-AAD-00099	E-4	17253-AAE-300	F-15
14430-KST-940	E-3	17371-KWH-970	E-8-KICK
14451-KST-940	E-3	17371-KWH-970	E-8-SELF
14531-035-000	E-4	17371-KWH-970	E-8-SELF-i3S
14541-GB4-681	E-4	17410-AAC-700	F-13A
14550-GB0-910R	E-4	17411-AAE-300	F-13A

14566-086-030	E-4	17420-AAD-A00	F-13A
14610-086-000R	E-4	17421-AAE-100	F-13A
14615-035-010	E-4	17430-AAE-100	F-13A
14670-ACK-000	E-4	17432-AAE-100	F-13A
14711-GN5-90099	E-3	17506-AAE-3054	F-27-SELF-i3S

PART NO	BLOCK	PART NO	BLOCK
17507-AAE-300	F-13	17695-AAH-A00	F-13A
17507-AAE-300	F-13-SELF-i3S	17695-AAE-100	F-13A
17507-KCC-905ZM	F-27-SELF-i3S	17696-AAE-100	F-13A
17508-KCC-905ZM	F-27-SELF-i3S	17910-AAE-300	F-3-KICK
17511-KCC-905ZB	F-13	17910-AAE-300	F-3-SELF
17511-KCC-905ZB	F-13-SELF-i3S	17910-AAE-300	F-3-SELF-i3S
17512-KCC-900	F-13	18291-KTC-900	F-16
17512-KCC-900	F-13-SELF-i3S	18292-KTP-900	F-16
17512-KCC-900	F-23	18293-KPK-900	F-16
17514-AAE-300U	F-13	18331-ACK-000	F-16
17514-AAE-300U	F-13-SELF-i3S	18350-ACK-000	F-16
17520-AAE-300R	F-13	18355-AAE-300	F-16
17520-AAE-300S	F-13	22110-AAH-H40	E-6
17520-AAE-300T	F-13	22110-AAH-A01	E-6A
17520-AAE-300U	F-13	22121-198-900	E-6
17520-AAE-300R	F-13-SELF-i3S	22121-AAH-A01	E-6A
17520-AAE-300S	F-13-SELF-i3S	22201-GF6-000	E-6
17520-AAE-300T	F-13-SELF-i3S	22201-AAH-A01	E-6A
17520-AAE-300U	F-13-SELF-i3S	22311-107-000	E-6
17520-AAE-3054	F-13-SELF-i3S	22311-AAH-A01	E-6A
17525-KCC-900	F-13	22350-115-020	E-6
17525-KCC-900	F-13-SELF-i3S	22350-AAH-A01	E-6A
17554-AAR-101	F-13A	22361-KST-940	E-6
17554-AAG-A01	F-13A	22361-AAH-A01	E-6A
17570-AAE-30099	F-13	22401-GF6-000	E-6
17570-AAE-30099	F-13-SELF-i3S	22401-AAH-A01	E-6A
17572-AAE-300	F-13	22810-198-000	E-5
17572-AAE-300	F-13-SELF-i3S	22815-166-000	E-5
17595-AAE-300R	F-27	22847-KCC-900	E-6

17595-AAE-300S	F-27	22847-KCC-900	E-6A
17595-AAE-300T	F-27	22870-KWA-940	F-3-KICK
17595-AAE-300U	F-27	22870-KWA-940	F-3-SELF
17595-AAE-300R	F-27-SELF	22870-KWA-940	F-3-SELF-i3S
17595-AAE-300S	F-27-SELF	22871-116-670	F-3-KICK
17595-AAE-300T	F-27-SELF	22871-116-670	F-3-SELF
17595-AAE-300U	F-27-SELF	22871-116-670	F-3-SELF-i3S
17595-AAE-300R	F-27-SELF-i3S	23112-AAJ-H10	E-6
17595-AAE-300S	F-27-SELF-i3S	23112-AAJ-H10	E-6A
17595-AAE-300T	F-27-SELF-i3S	23121-KST-901	E-6
17595-AAE-300U	F-27-SELF-i3S	23121-KST-901	E-6A
17596-AAE-300R	F-27	23211-GF6-000	E-10
17596-AAE-300S	F-27	23216-GF6-000	E-6
17596-AAE-300T	F-27	23216-GF6-000	E-6A
17596-AAE-300U	F-27	23217-GF6-000L	E-6
17596-AAE-300R	F-27-SELF	23217-GF6-000L	E-6A
17596-AAE-300S	F-27-SELF	23221-GF6-000	E-10
17596-AAE-300T	F-27-SELF	23421-GB4-770	E-10
17596-AAE-300U	F-27-SELF	23422-GB4-770	E-10
17596-AAE-300R	F-27-SELF-i3S	23431-GN5-910	E-10
17596-AAE-300S	F-27-SELF-i3S	23441-GB4-770	E-10
17596-AAE-300T	F-27-SELF-i3S	23451-GK4-761	E-10
17596-AAE-300U	F-27-SELF-i3S	23461-GK4-760	E-10
17611-KFN-850	F-13	23471-GN5-910	E-10
17611-KFN-850	F-13-SELF-i3S	23481-HF7-000	E-10
17613-KCC-900	F-13	23801-AAD-305	E-10
17613-KCC-900	F-13-SELF-i3S	23801-178-000	E-10
17620-AAE-101	F-13	23802-040-000	E-10
17620-AAE-101	F-13-SELF-i3S	24211-GF6-000R	E-12
17670-AAE-300	F-13A	24261-121-742	E-12

17671-AAE-300	F-13A	24263-028-000	E-12
17690-AAE-300	F-13A	24301-KWA-930	E-12
17691-AAE-300	F-13A	24411-198-900	E-12
17693-AAE-300	F-13A	24421-200-000	E-12
17694-AAE-300	F-13A	24425-198-900	E-12

PART NO	BLOCK	PART NO	BLOCK
24430-KST-900	E-12	31600-AAW-B01	F-24-SELF-i3S
24435-GB4-770	E-12	31600-ACK-001	F-24-SELF-i3S
24610-KST-940	E-12	31700-HMC-000	F-24-KICK
24639-035-000L	E-12	31700-HMC-000	F-24-SELF
24641-041-000	E-12	31700-HMC-000	F-24-SELF-i3S
24651-035-000L	E-12	31917-AAC-H00	E-1
24652-035-000	E-12	32100-AAE-300	F-24-KICK
24701-AAE-300	F-17	32100-AAE-340	F-24-SELF
28101-KWA-940	E-7B-SELF	32100-AAE-310	F-24-SELF-i3S
28102-ACK-010	E-7B-SELF	32105-ACK-011	E-7C-SELF
28103-ACK-010	E-7B-SELF	32105-ACK-012	E-7D-SELF
28110-ACK-010	E-7B-SELF	32108-GW6-700	F-24-KICK
28117-ACK-010	E-7B-SELF	32108-KE8-000	F-24-KICK
28120-KTR-A00A	E-7B-SELF	32108-GW6-700	F-24-SELF
28211-AAF-000	E-11	32108-KE8-000	F-24-SELF
28221-198-010	E-11	32108-GW6-700	F-24-SELF-i3S
28251-GF6-000	E-11	32108-KE8-000	F-24-SELF-i3S
28253-397-000	E-11	32161-404-000	F-3-KICK
28254-198-000	E-11	32161-404-000	F-3-SELF
28256-198-000	E-11	32161-404-000	F-3-SELF-i3S
28261-198-000	E-11	32712-KWH-970	F-15
28262-198-000	E-11	33100-KCC-710A	F-1
28293-KAG-900	F-17	33100-S2K-003	F-1
28302-KST-A10	F-17	33100-KCC-710A	F-1-SELF-i3S
28321-KTC-900	F-17	33100-S2K-003	F-1-SELF-i3S
28333-124-000	F-17	33107-300-000	F-1
30510-AAE-30099	F-24-KICK	33107-300-000	F-1-SELF-i3S
30510-AAE-30099	F-24-SELF	33110-KCC-830	F-1
30510-AAE-30099	F-24-SELF-i3S	33110-KCC-830	F-1-SELF-i3S

30700-KSP-B01	F-24-KICK	33112-KWH-960	F-1
30700-KSP-B01	F-24-SELF	33112-KWH-960	F-1-SELF-i3S
30700-KSP-B01	F-24-SELF-i3S	33117-KB7-910	F-1
31100-ACK-00099	E-7-KICK	33117-KB7-910	F-1-SELF-i3S
31100-ACK-01099	E-7A-SELF	33120-AAD-H00	F-1
31110-ACK-001	E-7-KICK	33120-AAD-H00	F-1-SELF-i3S
31110-ACK-011	E-7A-SELF	33128-KCC-910	F-1
31120-ACK-011	E-7-KICK	33128-KCC-910	F-1-SELF-i3S
31120-ACK-012	E-7-KICK	33136-426-830	F-1
31120-ACK-011	E-7A-SELF	33136-426-830	F-1-SELF-i3S
31120-ACK-012	E-7A-SELF	33150-KCC-830	F-1
31201-KWA-942	E-7C-SELF	33150-KCC-830	F-1-SELF-i3S
31201-AAT-012	E-7D-SELF	33153-AAE-101	F-1
31202-KWA-941	E-7C-SELF	33153-AAE-101	F-1-SELF-i3S
31202-ACK-012	E-7D-SELF	33401-KCC-830	F-22
31204-KWA-941	E-7C-SELF	33401-KCC-900	F-22
31204-AAT-012	E-7D-SELF	33402-KCC-710	F-22
31205-KWA-942	E-7C-SELF	33403-KCC-830	F-22
31205-ACK-012	E-7D-SELF	33407-KCC-900	F-22
31205-AAT-012	E-7D-SELF	33408-KCC-830	F-22
31206-AAT-012	E-7D-SELF	33451-KCC-830	F-22
31208-KWA-942	E-7C-SELF	33451-KCC-900	F-22
31210-ACK-01099	E-7C-SELF	33452-KCC-710	F-22
31210-ACK-01099	E-7D-SELF	33453-KCC-830	F-22
31211-KWA-942	E-7C-SELF	33490-KCC-900	F-22
31213-KWA-941	E-7C-SELF	33601-KCC-900	F-22
31218-AAT-012	E-7D-SELF	33651-KCC-900	F-22
31221-ACK-011	E-7C-SELF	33701-KST-930	F-23
31500-KWS-801	F-24-KICK	33702-KCC-830	F-23
31500-KVT-801	F-24-SELF	33704-KST-930	F-23

31500-KVT-801	F-24-SELF-i3S	33709-KCC-830	F-23
31600-AAW-B01	F-24-KICK	33714-KL3-620	F-5
31600-ACK-001	F-24-KICK	33740-AAG-501	F-6
31600-AAW-B01	F-24-SELF	33741-KAK-971	F-6
31600-ACK-001	F-24-SELF	33741-KST-920	F-21

PART NO	BLOCK	PART NO	BLOCK
34901-KSP-910	F-1	37612-ACK-02099	F-2-SELF-i3S
34901-KSP-910	F-1-SELF-i3S	37614-KCC-900	F-2
34904-KST-920	F-22	37614-KCC-900	F-2-SELF-i3S
34906-KST-920	F-23	37619-AAE-30099	F-2
34910-KWA-930	F-2	37619-AAE-31099	F-2-SELF-i3S
34910-KWA-930	F-2-SELF-i3S	37700-AAE-312	F-2-SELF-i3S
34913-ACK-02099	F-2	37700-ACK-02099	F-2-SELF-i3S
34913-ACK-02099	F-2-SELF-i3S	37701-AAG-A01	F-2-SELF-i3S
34914-ACK-02099	F-2	37701-AAC-812	F-2-SELF-i3S
34914-ACK-02099	F-2-SELF-i3S	37750-AAF-401	E-7C-SELF
34920-AAG-300	F-1	37750-AAC-801	E-7C-SELF
34920-AAG-300	F-1-SELF-i3S	37750-AAF-401	E-7D-SELF
34920-AAG-300	F-2	37750-AAC-801	E-7D-SELF
34920-AAG-300	F-2-SELF-i3S	37800-AAE-30099	F-13
35010-AAE-301	F-2	37800-AAE-30099	F-13-SELF-i3S
35010-AAE-301	F-2-SELF-i3S	38110-AAN-601	F-5
35100-AAE-301	F-2	38110-AAE-001	F-5
35100-AAE-301	F-2-SELF-i3S	38117-KFE-701	F-5
35121-AAE-H00	F-2	38301-AAJ-102	F-24-KICK
35121-AAE-H00	F-2-SELF-i3S	38301-AAH-A01	F-24-KICK
35122-AAE-H00	F-2	38301-AAJ-102	F-24-SELF
35122-AAE-H00	F-2-SELF-i3S	38301-AAH-A01	F-24-SELF
35130-AAD-00099	F-18	38301-AAJ-102	F-24-SELF-i3S
35140-AAD-00099	F-18	38301-AAH-A01	F-24-SELF-i3S
35150-AAE-311	F-3-KICK	38306-GE7-000	F-24-KICK
35150-AAG-H20	F-3-SELF	38306-AAH-A01	F-24-KICK
35150-AAE-311	F-3-SELF	38306-GE7-000	F-24-SELF
35150-AAF-401	F-3-SELF-i3S	38306-AAH-A01	F-24-SELF
35150-AAE-311	F-3-SELF-i3S	38306-GE7-000	F-24-SELF-i3S

35160-AAE-31099	F-24-KICK	38306-AAH-A01	F-24-SELF-i3S
35160-AAE-31099	F-24-SELF	38501-AAW-301	F-24-SELF
35160-AAE-31099	F-24-SELF-i3S	38501-KWH-971	F-24-SELF
35200-AAE-11099	F-3-KICK	38501-AAW-301	F-24-SELF-i3S
35200-AAE-11099	F-3-SELF	38501-KWH-971	F-24-SELF-i3S
35200-AAE-11099	F-3-SELF-i3S	38506-KWA-840	F-24-KICK
35330-413-003	F-3-KICK	38506-AAH-A01	F-24-KICK
35330-413-003	F-3-SELF	38506-KWA-840	F-24-SELF
35330-413-003	F-3-SELF-i3S	38506-AAH-A01	F-24-SELF
35340-KCC-900	F-3-KICK	38506-KWA-840	F-24-SELF-i3S
35340-KST-950	F-3-SELF	38506-AAH-A01	F-24-SELF-i3S
35340-KST-950	F-3-SELF-i3S	38770-AAE-341	F-24-KICK
35350-KWA-940	F-18	38770-AAE-341	F-24-SELF
35357-AAH-F00	F-18	38770-AAE-311	F-24-SELF-i3S
35750-001-000	E-12	38771-AAE-300	F-24-KICK
35753-035-010	E-12	38771-AAE-300	F-24-SELF
35755-001-000	E-12	38771-AAE-300	F-24-SELF-i3S
36532-AAE-311	E-7C-SELF	40510-AAE-200	F-19
36532-AAE-311	E-7D-SELF	40530-KST-940	F-19
37100-AAE-30099	F-2	40531-KTE-910	F-19
37100-AAE-31099	F-2-SELF-i3S	40543-198-900	F-10
37210-AAE-30099	F-2	40544-198-900	F-11
37210-AAE-31099	F-2-SELF-i3S	40545-001-000	F-19
37215-MB6-830	F-2	41201-KST-940	F-11
37215-MB6-830	F-2-SELF-i3S	41241-AAN-410	F-11
37230-KWH-H01	F-13	42301-ABA-000	F-11
37230-KWH-H01	F-13-SELF-i3S	42303-AAH-100	F-11
37243-323-000	F-17	42304-198-900	F-11
37300-AAE-102	F-2	42313-KCC-600	F-10
37300-AAE-H01	F-2-SELF-i3S	42601-AAE-23099	F-11

37610-KCC-900	F-2	42611-KWA-940	F-11
37610-KCC-900	F-2-SELF-i3S	42615-AAC-400	F-11
37610-AAE-102	F-2-SELF-i3S	42620-KTR-700	F-11
37612-AAH-811	F-2	42711-AAF-00099	F-11
37612-AAH-A12	F-2	42753-KWF-90099	F-9

PART NO	BLOCK	PART NO	BLOCK
43100-KTR-700	F-10	50614-413-000	F-17
43125-KTN-701	F-10	50618-KCC-000	F-17
43141-KTC-900	F-10	50619-KCC-000	F-17
43410-AAH-F00	F-10	50619-425-010	F-17
43431-AAH-F00	F-19	50620-KTC-900	F-17
43434-286-000	F-10	50661-425-670	F-17
43451-AAH-F00	F-18A	50701-KWA-830	F-17
43455-AAL-100	F-8	50702-KST-940	F-17
44301-KTR-700	F-9	50711-198-720	F-17
44311-KRC-900	F-9	50712-405-000	F-17
44601-AAE-23099	F-9	50715-405-000	F-17
44620-400-000	F-9	50720-AAE-H00	F-28A
44711-AAF-00099	F-9	50803-KST-940	F-28
44805-KTC-900	F-8	51103-AAE-H00	F-29
44806-KST-900	F-8	51104-AAE-H00	F-29
44809-170-000	F-8	51106-KCC-900	F-29
44810-KTC-900	F-8	51400-KST-A11	F-7
44830-AAD-000	F-2	51401-KST-941	F-7
44830-AAD-000	F-2-SELF-i3S	51403-KCC-900	F-7
45010-AAH-F00	F-8	51403-447-730	F-7
45125-AAH-F0099	F-8	51410-KWA-941	F-7
45125-AAH-F0099	F-8	51412-KAG-900	F-7
45133-KCC-900	F-8	51412-KWA-941	F-7
45133-KCC-900	F-10	51420-KST-A11	F-7
45134-250-000	F-8	51425-KST-901	F-7
45134-250-000	F-10	51432-KST-901	F-7
45141-KTC-900	F-8	51437-KVN-901	F-7
45145-096-650	F-8	51440-KTR-901	F-7
45145-KFM-900	F-10	51500-KST-A11	F-7

45410-AAH-F00	F-8	51520-KST-A11	F-7
45435-GB2-720	F-8	52101-KST-940	F-19
45450-ACK-000	F-3-KICK	52110-AAE-300	F-19
45450-ACK-000	F-3-SELF	52133-AAH-F00	F-19
45450-ACK-000	F-3-SELF-i3S	52147-KTC-900	F-19
45451-AAF-400	F-6	52170-KST-940	F-19
45456-AAL-100	F-8	52400-KWH-9099R	F-20
45456-AAW-000	F-8	52400-AAE-301U	F-20
45459-AAL-100	F-8	52400-KWH-961ZA	F-20
45475-AAH-F00	F-3-KICK	52400-AAE-300U	F-20
45475-AAH-F00	F-3-SELF	52410-KCC-871	F-20
45475-AAH-F00	F-3-SELF-i3S	52486-KAG-900	F-20
46513-AAG-900	F-18A	52486-KTN-701	F-20
46515-AAH-F00	F-18A	52489-399-600	F-20
46515-KB9-000	F-18A	52495-098-000	F-20
46518-AAH-F00	F-18A	53100-AAE-000	F-4-KICK
46519-AAG-900	F-18A	53100-AAD-000	F-4-SELF
46522-AAH-F00	F-18A	53100-AAE-110	F-4-SELF-i3S
46544-ACK-000	F-18A	53132-124-000	F-4-KICK
50100-AAE-300	F-25-KICK	53132-124-000	F-4-SELF
50100-AAE-300	F-25-SELF	53132-124-000	F-4-SELF-i3S
50150-AAH-810	F-24-SELF	53133-198-900	F-4-KICK
50150-AAH-810	F-24-SELF-i3S	53133-198-900	F-4-SELF
50160-ACK-000	F-17	53133-198-900	F-4-SELF-i3S
50170-AAH-F00	F-25-KICK	53134-028-000	F-4-KICK
50170-AAH-F00	F-25-SELF	53134-028-000	F-4-SELF
50211-KCC-900	F-25-KICK	53134-028-000	F-4-SELF-i3S
50211-KCC-900	F-25-SELF	53135-198-900	F-4-KICK
50301-041-010	F-5	53135-198-900	F-4-SELF
50500-AAE-300	F-18	53135-198-900	F-4-SELF-i3S

50505-KCC-900	F-16	53136-198-900	F-4-KICK
50512-AAH-F00	F-18	53136-198-900	F-4-SELF
50530-KCC-900	F-17	53136-198-900	F-4-SELF-i3S
50603-AAG-300	F-17	53140-KTC-900	F-3-KICK
50603-ACK-000	F-17	53140-KTC-900	F-3-SELF

PART NO	BLOCK	PART NO	BLOCK
53140-KTC-900	F-3-SELF-i3S	77200-AAE-300	F-12-SELF-i3S
53166-KTC-900	F-3-KICK	77202-KCC-900	F-12
53166-KTC-900	F-3-SELF	77202-KCC-900	F-12-SELF-i3S
53166-KTC-900	F-3-SELF-i3S	77202-KCC-900	F-21
53167-GE4-000	F-3-KICK	77204-KCC-900	F-12
53168-166-000	F-3-KICK	77204-KCC-900	F-12-SELF-i3S
53168-166-000	F-3-SELF	77206-KCC-900	F-12
53171-KCC-900	F-3-KICK	77206-KCC-900	F-12-SELF-i3S
53171-KCC-900	F-3-SELF	77211-KCC-900	F-12
53171-KCC-900	F-3-SELF-i3S	77211-KCC-900	F-12-SELF-i3S
53172-KTC-920	F-3-KICK	77215-AAD-300	F-12
53172-KTC-920	F-3-SELF	77215-AAD-300	F-12-SELF-i3S
53172-KTC-920	F-3-SELF-i3S	77235-AAE-300R	F-12
53173-KTR-A20	F-3-KICK	77235-AAE-300U	F-12
53173-KTR-A20	F-3-SELF	77235-AAE-300R	F-12-SELF-i3S
53173-KTR-A20	F-3-SELF-i3S	77235-AAE-300U	F-12-SELF-i3S
53175-AAF-H00	F-3-KICK	77238-AAE-300R	F-27
53175-AAF-H00	F-3-SELF	77238-AAE-300S	F-27
53175-AAF-H00	F-3-SELF-i3S	77238-AAE-300R	F-27-SELF
53178-AAF-H00	F-3-KICK	77238-AAE-300S	F-27-SELF
53178-AAF-H00	F-3-SELF	77238-AAE-300R	F-27-SELF-i3S
53178-AAF-H00	F-3-SELF-i3S	77238-AAE-300S	F-27-SELF-i3S
53179-KTC-900	F-3-KICK	77300-AAE-300R	F-12
53179-KTC-900	F-3-SELF	77300-AAE-300S	F-12
53179-KTC-900	F-3-SELF-i3S	77300-AAE-300T	F-12
53200-AAE-300	F-5	77300-AAE-300U	F-12
53210-AAE-300	F-5	77300-AAE-300R	F-12-SELF-i3S
53211-028-010	F-5	77300-AAE-300S	F-12-SELF-i3S
53212-030-010	F-5	77300-AAE-300T	F-12-SELF-i3S

53214-001-010	F-5	77300-AAE-300U	F-12-SELF-i3S
53215-001-000	F-5	77340-AAE-1000	F-12-SELF-i3S
53222-KCC-900	F-5	77350-AAE-100	F-12-SELF-i3S
53229-028-310	F-5	77400-AAE-300R	F-12
53230-KCC-900	F-4-KICK	77400-AAE-300S	F-12
53230-KCC-900	F-4-SELF	77400-AAE-300T	F-12
53230-KCC-900	F-4-SELF-i3S	77400-AAE-300U	F-12
61000-AAE-200R	F-6	77400-AAE-300R	F-12-SELF-i3S
61000-AAE-300U	F-6	77400-AAE-300S	F-12-SELF-i3S
61103-KST-940	F-6	77400-AAE-300T	F-12-SELF-i3S
61103-357-000	F-23	77400-AAE-300U	F-12-SELF-i3S
61104-KST-940	F-6	80100-AAE-300	F-21
61104-KM7-910	F-23	80101-443-000	F-2
61107-KK6-000	F-23	80101-443-000	F-2-SELF-i3S
61107-KK6-000	F-25-KICK	80102-KCC-900	F-23
61107-KK6-000	F-25-SELF	80103-AAE-300	F-21
61311-KCC-840	F-1	80150-KCC-900	F-23
61311-KCC-840	F-1-SELF-i3S	81200-AAD-300	F-12
61312-KCC-900	F-1	81200-AAD-300	F-12-SELF-i3S
61312-149-300	F-1	83402-KCC-900	F-1
61312-KCC-900	F-1-SELF-i3S	83402-KCC-900	F-1-SELF-i3S
61312-149-300	F-1-SELF-i3S	83403-KCC-830	F-1
61313-KCC-900	F-1	83403-KCC-830	F-1-SELF-i3S
61313-KCC-900	F-1-SELF-i3S	83407-KCC-902	F-1
61314-KCC-900	F-1	83407-KCC-902	F-1-SELF-i3S
61314-KCC-900	F-1-SELF-i3S	83407-ACK-000	F-15
61317-KCC-900	F-2	83407-KTR-940	F-15
61317-KCC-900	F-2-SELF-i3S	83408-AAE-300R	F-27
64311-KCC-860	F-5	83408-AAE-300S	F-27
64315-KCC-900	F-5	83408-AAE-300T	F-27

75581-673-000	F-13	83408-AAE-300U	F-27
75581-673-000	F-13-SELF-i3S	83408-AAE-300R	F-27-SELF
75581-673-000	F-25-KICK	83408-AAE-300S	F-27-SELF
75581-673-000	F-25-SELF	83408-AAE-300T	F-27-SELF
77200-AAE-300	F-12	83408-AAE-300U	F-27-SELF

PART NO	BLOCK	PART NO	BLOCK
83408-AAE-300R	F-27-SELF-i3S	85401-AAW-A00	F-27-SELF-i3S
83408-AAE-300S	F-27-SELF-i3S	86511-AAE-100	F-27
83408-AAE-300T	F-27-SELF-i3S	86511-KVH-780	F-27-SELF
83408-AAE-300U	F-27-SELF-i3S	86511-KVH-780	F-27-SELF-i3S
83409-AAE-300R	F-27	86780-AAE-200R	F-27
83409-AAE-300S	F-27	86780-AAE-200T	F-27
83409-AAE-300T	F-27	86780-AAE-200R	F-27-SELF
83409-AAE-300U	F-27	86780-AAE-200T	F-27-SELF
83409-AAE-300R	F-27-SELF	86780-AAE-200R	F-27-SELF-i3S
83409-AAE-300S	F-27-SELF	86780-AAE-200T	F-27-SELF-i3S
83409-AAE-300T	F-27-SELF	86838-AAE-300R	F-27
83409-AAE-300U	F-27-SELF	86838-AAE-300S	F-27
83409-AAE-300R	F-27-SELF-i3S	86838-AAE-300R	F-27-SELF
83409-AAE-300S	F-27-SELF-i3S	86838-AAE-300S	F-27-SELF
83409-AAE-300T	F-27-SELF-i3S	86838-AAE-300R	F-27-SELF-i3S
83409-AAE-300U	F-27-SELF-i3S	86838-AAE-300S	F-27-SELF-i3S
83410-AAE-300R	F-1	86880-AAE-200R	F-27
83410-AAE-300S	F-1	86880-AAE-200T	F-27
83410-AAE-300T	F-1	86880-AAE-200R	F-27-SELF
83410-AAE-300U	F-1	86880-AAE-200T	F-27-SELF
83410-AAE-300R	F-1-SELF-i3S	86880-AAE-200R	F-27-SELF-i3S
83410-AAE-300S	F-1-SELF-i3S	86880-AAE-200T	F-27-SELF-i3S
83410-AAE-300T	F-1-SELF-i3S	87115-AAE-300R	F-27
83410-AAE-300U	F-1-SELF-i3S	87115-AAE-300S	F-27
83410-AAE-3054	F-1-SELF-i3S	87115-AAE-300T	F-27
83500-AAE-300R	F-14	87115-AAE-300U	F-27
83500-AAE-300S	F-14	87115-AAE-300R	F-27-SELF
83500-AAE-300T	F-14	87115-AAE-300S	F-27-SELF
83500-AAE-300U	F-14	87115-AAE-300T	F-27-SELF

83500-AAE-310R	F-14-SELF-i3S	87115-AAE-300U	F-27-SELF
83500-AAE-310S	F-14-SELF-i3S	87115-AAE-310R	F-27-SELF-i3S
83500-AAE-310T	F-14-SELF-i3S	87115-AAE-310S	F-27-SELF-i3S
83500-AAE-310U	F-14-SELF-i3S	87115-AAE-310T	F-27-SELF-i3S
83500-AAE-2054	F-14-SELF-i3S	87115-AAE-310U	F-27-SELF-i3S
83502-KCC-900	F-14	87115-KCC-905ZM	F-27-SELF-i3S
83502-KCC-900	F-14-SELF-i3S	87116-AAE-300R	F-27
83510-AAE-300	F-25-KICK	87116-AAE-300S	F-27
83510-AAE-300	F-25-SELF	87116-AAE-300T	F-27
83550-AAA-001	F-25-KICK	87116-AAE-300U	F-27
83550-AAA-001	F-25-SELF	87116-AAE-300R	F-27-SELF
83551-300-000	F-12	87116-AAE-300S	F-27-SELF
83551-300-000	F-12-SELF-i3S	87116-AAE-300T	F-27-SELF
83551-300-000	F-13	87116-AAE-300U	F-27-SELF
83551-300-000	F-13-SELF-i3S	87116-AAE-310R	F-27-SELF-i3S
83600-AAE-300R	F-14	87116-AAE-310S	F-27-SELF-i3S
83600-AAE-300S	F-14	87116-AAE-310T	F-27-SELF-i3S
83600-AAE-300T	F-14	87116-AAE-310U	F-27-SELF-i3S
83600-AAE-300U	F-14	87116-KCC-905ZM	F-27-SELF-i3S
83600-AAE-310R	F-14-SELF-i3S	87117-AAE-100	F-14
83600-AAE-310S	F-14-SELF-i3S	87117-AAE-100	F-14-SELF-i3S
83600-AAE-310T	F-14-SELF-i3S	87131-AAE-300R	F-27
83600-AAE-310U	F-14-SELF-i3S	87131-AAE-300S	F-27
83600-AAE-1054	F-14-SELF-i3S	87131-AAE-300T	F-27
83700-AAE-300	F-25-KICK	87131-AAE-300U	F-27
83700-AAE-310	F-25-SELF	87131-AAE-300R	F-27-SELF
83800-AAE-300	F-25-KICK	87131-AAE-300S	F-27-SELF
83800-AAE-310	F-25-SELF	87131-AAE-300T	F-27-SELF
84103-AAD-300	F-12	87131-AAE-300U	F-27-SELF
84103-AAD-300	F-12-SELF-i3S	87131-AAE-300R	F-27-SELF-i3S

84702-KCC-900	F-12	87131-AAE-300S	F-27-SELF-i3S
84702-KCC-900	F-12-SELF-i3S	87131-AAE-300T	F-27-SELF-i3S
84702-KCC-900	F-21	87131-AAE-300U	F-27-SELF-i3S
85401-AAW-A00	F-27	87131-AAE-100	F-27-SELF-i3S
85401-AAW-A00	F-27-SELF	87132-AAE-300R	F-27

PART NO	BLOCK	PART NO	BLOCK
87132-AAE-300S	F-27	90108-KWH-961	F-2-SELF-i3S
87132-AAE-300T	F-27	90111-187-000	F-15
87132-AAE-300U	F-27	90112-SB4-000	F-1
87132-AAE-300R	F-27-SELF	90112-SB4-000	F-1-SELF-i3S
87132-AAE-300S	F-27-SELF	90114-310-000	F-3-KICK
87132-AAE-300T	F-27-SELF	90114-310-000	F-3-SELF
87132-AAE-300U	F-27-SELF	90114-310-000	F-3-SELF-i3S
87132-AAE-300R	F-27-SELF-i3S	90116-KAG-900	F-7
87132-AAE-300S	F-27-SELF-i3S	90116-KCC-900	F-25-KICK
87132-AAE-300T	F-27-SELF-i3S	90116-KCC-900	F-25-SELF
87132-AAE-300U	F-27-SELF-i3S	90117-065-000	F-4-KICK
87132-AAE-100	F-27-SELF-i3S	90117-065-000	F-4-SELF
87507-MZ8-W00	F-30	90117-065-000	F-4-SELF-i3S
87509-AAP-000	F-15	90117-KCC-900	F-25-KICK
87560-ACK-000	F-30	90117-KCC-900	F-25-SELF
88110-AAE-H31	F-3-KICK	90118-383-000	F-19
88110-AAE-H31	F-3-SELF	90121-AAD-500	F-25-KICK
88110-AAE-H31	F-3-SELF-i3S	90121-AAD-500	F-25-SELF
88114-198-D10	F-3-KICK	90122-KVT-941	F-24-KICK
88114-198-D10	F-3-SELF	90122-KVT-941	F-24-SELF
88114-198-D10	F-3-SELF-i3S	90122-KVT-941	F-24-SELF-i3S
88120-AAE-H31	F-3-KICK	90123-KST-941	F-7
88120-AAE-H31	F-3-SELF	90123-KRM-860	F-7
88120-AAE-H31	F-3-SELF-i3S	90133-331-770	F-19
89102-538-000	F-26	90150-GNS-911	F-1
89103-538-000	F-26	90150-GNS-911	F-1-SELF-i3S
89215-AAC-000	F-26	90183-KTC-900	F-19
89216-AAD-H00	F-26	90201-MW3-620	E-1
90002-KRM-840	F-24-KICK	90201-GF6-000R	E-1

90002-KRM-840	F-24-SELF	90201-MW3-620	F-3-KICK
90002-KRM-840	F-24-SELF-i3S	90201-MW3-620	F-3-SELF
90003-MY5-720	F-3-KICK	90201-MW3-620	F-3-SELF-i3S
90003-MY5-720	F-3-SELF	90206-001-000	E-3
90003-MY5-720	F-3-SELF-i3S	90231-087-010	E-6
90012-333-000R	E-3	90231-198-000	E-6
90022-GFP-900	E-12	90231-087-010	E-6A
90031-AAH-000	E-8-KICK	90231-198-000	E-6A
90031-AAH-000	E-8-SELF	90301-473-000	F-10
90031-AAH-000	E-8-SELF-i3S	90302-KBP-900	F-10
90032-AAH-000	E-8-KICK	90302-KBP-900	F-11
90032-AAH-000	E-8-SELF	90304-AAH-F00	F-4-KICK
90032-AAH-000	E-8-SELF-i3S	90304-159-000	F-4-KICK
90033-041-020	E-2	90304-AAH-F00	F-4-SELF
90035-KST-900	F-2	90304-159-000	F-4-SELF
90035-KST-900	F-2-SELF-i3S	90304-AAH-F00	F-4-SELF-i3S
90050-KFL-850	E-6	90304-159-000	F-4-SELF-i3S
90050-KFL-850	E-6A	90304-438-000	F-16
90071-171-010	E-12	90306-KST-942	F-9
90071-MB0-000	F-13	90306-KST-942	F-10
90071-MB0-000	F-13-SELF-i3S	90306-KST-942	F-11
90081-GFP-900	E-2	90306-KVT-941	F-24-KICK
90081-035-000	E-4	90306-KVT-941	F-24-SELF
90083-KVH-900	E-4	90306-KVT-941	F-24-SELF-i3S
90083-KVH-900	E-7-KICK	90307-001-000	F-11
90083-KVH-900	E-7A-SELF	90309-357-000	F-11
90083-ACK-000	F-28A	90311-MT3-000	F-15
90085-KTC-920	E-7B-SELF	90311-AAA-000	F-21
90100-ACK-000	E-4	90313-172-000	F-14
90101-KWA-830	F-15	90313-172-000	F-14-SELF-i3S

90101-GE0-000	F-25-KICK	90324-KCC-900	F-13
90101-GE0-000	F-25-SELF	90324-KCC-900	F-13-SELF-i3S
90107-AAD-000	F-17	90325-KCC-900	F-13
90107-428-000	F-28A	90325-KCC-900	F-13-SELF-i3S
90108-KWH-961	F-2	90380-MB2-000	F-22

PART NO	BLOCK	PART NO	BLOCK
90381-KWA-940	F-14	91102-ABG-000	E-9
90381-KWA-940	F-14-SELF-i3S	91103-ABG-000	E-9
90407-259-000	E-8-KICK	91202-302-010	E-5
90407-259-000	E-8-SELF	91203-GB5-760	E-10
90407-259-000	E-8-SELF-i3S	91205-350-000	E-6
90432-086-000	E-6	91205-350-000	E-6A
90432-086-000	E-6A	91208-KB4-670	E-12
90439-SB2-010	E-7C-SELF	91251-GK4-000	F-8
90439-SB2-010	E-7D-SELF	91251-KPH-901	F-9
90441-035-000	E-4	91255-KWA-941	F-7
90442-GF6-000	E-1	91301-KCC-770	E-13A
90443-GF6-010	E-1	91302-KEV-900	E-1
90443-MB0-000	E-7C-SELF	91303-719-000	E-5
90443-MB0-000	E-7D-SELF	91303-377-000	E-7-KICK
90451-GF6-000	E-10	91303-377-000	E-7A-SELF
90451-198-000	E-10	91303-GF6-000	E-8-KICK
90452-GB4-770	E-10	91303-GF6-000	E-8-SELF
90452-115-000	E-11	91303-GF6-000	E-8-SELF-i3S
90454-107-000	E-11	91304-704-000	F-11
90461-357-000	E-1	91305-028-150	E-2
90461-357-000	E-4	91305-MC7-000	F-13
90461-GF6-000	E-6	91305-MC7-000	F-13-SELF-i3S
90461-GF6-000	E-6A	91307-035-000	E-5
90461-GB4-770	E-10	91308-KWA-941	E-7C-SELF
90461-035-000	E-10	91308-GB4-701L	E-7D-SELF
90461-459-000	E-10	91309-KWA-941	E-7C-SELF
90464-GBG-900	E-7B-SELF	91312-107-000	E-12
90481-035-000	E-4	91352-GAZ-930	F-2
90502-198-900	F-18	91352-GAZ-930	F-2-SELF-i3S

90503-051-870	F-4-KICK	91356-KAG-900	F-7
90503-051-870	F-4-SELF	91406-KFN-850	F-15
90503-051-870	F-4-SELF-i3S	91540-AAN-410	F-24-KICK
90505-425-000	F-10	91540-AAN-410	F-24-SELF
90521-292-000	F-7	91540-AAN-410	F-24-SELF-i3S
90544-439-930	F-7	92000-06008-0A	E-10
90545-AAH-F00	F-18A	92000-08012-0A	F-1
90551-178-000	F-19	92000-08012-0A	F-1-SELF-i3S
90551-178-000	F-20	92000-06025-0A	F-3-KICK
90563-355-000	F-12	92000-06025-0A	F-3-SELF
90563-355-000	F-12-SELF-i3S	92000-06025-0A	F-3-SELF-i3S
90563-355-000	F-21	92000-06016-0A	F-17
90601-AAB-A00	E-10	92000-06020-0A	F-17
90601-459-000	E-10	92000-05022-0A	F-23
90601-459-000	E-11	92101-06032-0A	F-17
90601-GF5-730	F-7	92800-12000-00	E-8-KICK
90701-GF6-000	E-2	92800-12000-00	E-8-SELF
90702-GB6-910	E-4	92800-12000-00	E-8-SELF-i3S
90702-GB6-910	E-5	92811-10000	F-10
90703-HC4-000	E-8-KICK	93500-05016-0A	E-8A
90703-HC4-000	E-8-SELF	93500-04040-0H	F-1
90703-HC4-000	E-8-SELF-i3S	93500-05010-1A	F-1
90741-KFB-000	E-9	93500-04040-0H	F-1-SELF-i3S
90753-029-000	F-11	93500-05010-1A	F-1-SELF-i3S
90801-035-000	E-12	93500-05022-1G	F-3-KICK
90810-KCC-910	F-12	93500-05020-0G	F-3-KICK
90810-KCC-910	F-12-SELF-i3S	93500-05022-1G	F-3-SELF
90851-AAE-H60	F-12	93500-05020-0G	F-3-SELF
90851-AAE-H60	F-12-SELF-i3S	93500-05022-1G	F-3-SELF-i3S
91001-GF6-000	E-9	93500-05020-0G	F-3-SELF-i3S

91002-AAF-400	E-8-KICK	93500-05012-0A	F-5
91002-AAF-400	E-8-SELF	93500-05006-0A	F-13
91002-AAF-400	E-8-SELF-i3S	93500-05006-0A	F-13-SELF-i3S
91005-KWA-940	E-7B-SELF	93500-05006-0A	F-13A
91101-ABG-000	E-9	93500-04025-0G	F-15

PART NO	BLOCK	PART NO	BLOCK
93600-05012-1A	E-6	94101-08000	F-17
93600-05012-1A	E-6A	94101-08000	F-19
93700-04012-1G	F-22	94101-12800	F-20
93891-05014-10	F-18	94103-06700	F-2
93892-04006-08L	E-7C-SELF	94103-06700	F-2-SELF-i3S
93892-05030-08L	E-7D-SELF	94111-05000	F-5
93892-04008-08	E-7D-SELF	94111-10000	F-19
93892-AAT-000	E-7D-SELF	94111-08000	F-25-KICK
93893-05012-18	F-5	94111-08000	F-25-SELF
93893-05025-00	F-15	94201-20150	F-10
93901-34210	F-1	94201-16121	F-17
93901-34210	F-1-SELF-i3S	94201-16150	F-17
93901-32220	F-3-SELF	94201-30250	F-18
93901-32220	F-3-SELF-i3S	94201-20150	F-18A
93901-34420	F-22	94201-20150	F-19
93901-24510	F-23	94510-12000L	E-7C-SELF
93913-24320	F-2	94510-12000L	E-7D-SELF
93913-24320	F-12	94510-16000	E-11
93913-24320	F-12-SELF-i3S	94540-06018	E-8A
93913-25280	F-25-KICK	95002-02100	E-8-KICK
93913-25280	F-25-SELF	95002-02100	E-8-SELF
94001-06070-0S	F-2	95002-02100	E-8-SELF-i3S
94001-06070-0S	F-2-SELF-i3S	95002-70000	F-13A
94001-06090-0S	F-3-KICK	95002-02100	F-13A
94001-06090-0S	F-3-SELF	95002-02130	F-13A
94001-06090-0S	F-3-SELF-i3S	95002-02080	F-13A
94001-06000-0S	F-10	95002-80000	F-15
94001-08000-0S	F-10	95011-51000	F-17
94001-06000-0S	F-11	95014-21101	F-4-KICK

94001-08000-0S	F-19	95014-21101	F-4-SELF
94002-08000-0S	F-3-KICK	95014-21101	F-4-SELF-i3S
94002-10070-0S	F-3-KICK	95014-72302	F-17
94002-08000-0S	F-3-SELF	95014-71702	F-18
94002-10070-0S	F-3-SELF	95014-73100	F-18
94002-08000-0S	F-3-SELF-i3S	95015-32001	F-8
94002-10070-0S	F-3-SELF-i3S	95015-42000	F-8
94002-06000-0S	F-21	95015-32001	F-18
94021-10000-0S	F-20	95015-42000	F-18
94030-10000	F-17	95015-AAH-F00	F-18A
94030-10000	F-19	95018-50250	F-15
94050-06000	F-6	95300-08040-00	F-5
94050-06000	F-8	95701-06110-00	E-1
94050-06000	F-13	95701-06020-00	E-11
94050-06000	F-13-SELF-i3S	95701-06022-00	E-13A
94050-08000	F-16	95701-06012-00	F-1
94050-06000	F-21	95701-06012-00	F-1-SELF-i3S
94050-06000	F-22	95701-06020-07	F-5
94050-06000	F-24-KICK	95701-06020-00	F-6
94050-06000	F-24-SELF	95701-06032-00	F-8
94050-06000	F-24-SELF-i3S	95701-06035-00	F-10
94050-08000	F-25-KICK	95701-06025-00	F-12
94050-08000	F-25-SELF	95701-08020-00	F-12
94101-04800	F-1	95701-06025-00	F-12-SELF-i3S
94101-08000	F-1	95701-08020-00	F-12-SELF-i3S
94101-04800	F-1-SELF-i3S	95701-08035-00	F-13
94101-08000	F-1-SELF-i3S	95701-08035-00	F-13-SELF-i3S
94101-06000	F-4-KICK	95701-08016-00	F-16
94101-06000	F-4-SELF	95701-08016-07	F-17
94101-06000	F-4-SELF-i3S	95701-08040-00	F-17

94101-05000	F-5	95701-08040-00	F-18
94101-08000	F-5	95701-06008-00	F-18A
94101-06000	F-10	95701-06010-00	F-19
94101-06000	F-11	95701-06020-00	F-21
94101-06000	F-17	95701-06018-00	F-23

PART NO	BLOCK	PART NO	BLOCK
95701-06016-00	F-24-KICK	96211-06000	F-5
95701-06012-00	F-24-KICK	96211-08000	F-17
95701-06016-00	F-24-SELF	96220-30085	E-12
95701-06012-00	F-24-SELF	96600-06028-10	E-7A-SELF
95701-06016-00	F-24-SELF-i3S	96700-06012-00	E-8-KICK
95701-06012-00	F-24-SELF-i3S	96700-06012-00	E-8-SELF
95701-08016-00	F-25-KICK	96700-06012-00	E-8-SELF-i3S
95701-06016-07	F-25-KICK	96700-08020-00	F-2
95701-06012-07	F-25-KICK	96700-08020-00	F-2-SELF-i3S
95701-08016-00	F-25-SELF	98200-31500	F-24-KICK
95701-06016-07	F-25-SELF	98200-31000	F-24-KICK
95701-06012-07	F-25-SELF	98200-31500	F-24-SELF
95701-08016-00	F-28	98200-31000	F-24-SELF
95701-08016-00	F-29	98200-31500	F-24-SELF-i3S
95701-08028-00	F-29	98200-31000	F-24-SELF-i3S
95701-08035-00	F-29	99007-45000	F-26
95801-10045	F-17	99635-AAE-100	F-28A
96001-06020-00	E-1		
96001-06045-00	E-2		
96001-06018-00	E-4		
96001-06040-00	E-5		
96001-06065-00	E-5		
96001-06080-00	E-5		
96001-06020-00	E-6		
96001-06020-00	E-6A		
96001-06060-00	E-7-KICK		
96001-06028-00	E-7-KICK		
96001-06032-00	E-7A-SELF		
96001-06060-00	E-7A-SELF		

96001-06028-00	E-7A-SELF
96001-06010-00	E-7B-SELF
96001-06045-00	E-7C-SELF
96001-06045-00	E-7D-SELF
96001-06050-00	E-8-KICK
96001-06060-00	E-8-KICK
96001-06065-00	E-8-KICK
96001-06050-00	E-8-SELF
96001-06060-00	E-8-SELF
96001-06065-00	E-8-SELF
96001-06050-00	E-8-SELF-i3S
96001-06060-00	E-8-SELF-i3S
96001-06065-00	E-8-SELF-i3S
96001-06040-00	E-8A
96001-06012-00	E-12
96001-06018-00	E-13
96001-06022-00	E-13A
96001-06016-07	F-1
96001-06016-07	F-1-SELF-i3S
96001-06010-07	F-13
96001-06010-07	F-13-SELF-i3S
96001-06010-02	F-16
96001-06016-00	F-23
96001-06020-00	F-24-KICK
96001-06020-00	F-24-SELF
96001-06020-00	F-24-SELF-i3S
96100-60010-H0	E-6
96100-60010-H0	E-6A
96100-60010-00	E-10
96100-62010-00	E-10

96100-62030-00

E-10

96120-60010-10L

E-7C-SELF

96140-63010-10

F-9

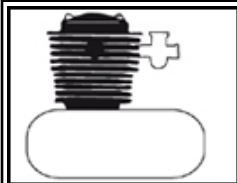
96140-63010-10


F-11

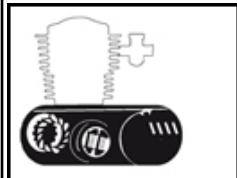
96150-62030-10














F-11

BLOCK INDEX - GROUP Engine - Splendor+ iBS BSVI (Feb, 2020).









	E-1	CYLINDER HEAD COVER/INLET PIPE	1
	E-2	CYLINDER/CYLINDER HEAD	2
	E-3	CAM SHAFT/VALVE	3



	E-4	CAM CHAIN TENSIONER	4
	E-5	RIGHT CRANKCASE COVER	5
	E-6	CLUTCH	6
	E-6A	CLUTCH	7
	E-7-KICK	LEFT CRANKCASE COVER/A.C. GEN. ASSY. (KICK)	8
	E-7A-SELF	LEFT CRANKCASE COVER/A.C. GEN. ASSY. (SELF START)	9
	E-7B-SELF	STARTING CLUTCH	10
	E-7C-SELF	STARTING MOTOR	11
	E-7D-SELF	STARTING MOTOR	12
	E-8-KICK	CRANK CASE/OIL PUMP	13
	E-8-SELF	CRANK CASE/OIL PUMP	14
	E-8-SELF-i3S	CRANK CASE/OIL PUMP	15
	E-8A	OIL PUMP ASSY.	16



	E-9	CRANKSHAFT/PISTON	17
	E-10	TRANSMISSION	18
	E-11	KICK STARTER	19
	E-12	GEAR SHIFT	20
	E-13	THROTTLE BODY ASSY.	21
	E-13A	THROTTLE BODY ASSY.	22

BLOCK INDEX - GROUP Frame - Splendor+ iBS BSVI (Feb, 2020).



	F-1	HEADLIGHT / FR. VISOR	23
	F-1-SELF-i3S	HEADLIGHT / FR. VISOR	24
	F-2	SPEEDOMETER/CABLE/KEY SET	25
	F-2-SELF-i3S	SPEEDOMETER/CABLE/KEY SET	26
	F-3-KICK	HANDLE LEVER/SWITCH/CONTROL CABLE	27
	F-3-SELF	HANDLE LEVER/SWITCH/CONTROL CABLE	28
	F-3-SELF-i3S	HANDLE LEVER/SWITCH/CONTROL CABLE	29
	F-4-KICK	HANDLE PIPE/TOP BRIDGE	30
	F-4-SELF	HANDLE PIPE/TOP BRIDGE	31
	F-4-SELF-i3S	HANDLE PIPE/TOP BRIDGE	32
	F-5	STEERING STEM/HORN	33
	F-6	FENDER FRONT	34
	F-7	FRONT FORK	35



	F-8	FRONT BRAKE PANEL	36
	F-9	FRONT WHEEL	37
	F-10	REAR BRAKE PANEL	38
	F-11	REAR WHEEL	39



	F-12	SET ASSY./RR. COWL/REAR CARRIER(W/O i3S)	40
	F-12-SELF-i3S	SET ASSY./RR. COWL/REAR CARRIER(W/O i3S)	41
	F-13	FUEL TANK	42
	F-13-SELF-i3S	FUEL TANK	43
	F-13A	CANISTER ASSY.	44
	F-14	SIDE COVER	45
	F-14-SELF-i3S	SIDE COVER	46
	F-15	AIR CLEANER	47

BLOCK INDEX - GROUP Frame - Splendor+ iBS BSVI (Feb, 2020).



	F-16	MUFFLER	48
	F-17	STEP ASSY./SELF STARTER/GEAR CHANGE PEDAL/SIDE STAND/PILLION STEP.	49
	F-18	MAIN STAND/PEDAL BRAKE	50
	F-18A	CBS ASSY.	51
	F-19	SWINGARM/CHAIN CASE	52
	F-20	REAR CUSHION	53
	F-21	REAR FENDER	54



	F-22	WINKERS	55
	F-23	TAIL LIGHT	56
	F-24-KICK	WIRE HARNESS/BATTERY	57
	F-24-SELF	WIRE HARNESS/BATTERY	58
	F-24-SELF-i3S	WIRE HARNESS/BATTERY	59
	F-25-KICK	FRAME BODY/UTILITY BOX	60
	F-25-SELF	FRAME BODY/UTILITY BOX	61



	F-26	TOOLS	62
	F-27	STRIPES/MARK	63
	F-27-SELF	STRIPES/MARK	77
	F-27-SELF-i3S	STRIPES/MARK	91
	F-28	GUARD ENGINE	112
	F-28A	(OPTIONAL)	113
	F-29	GUARD SARI STEP PILLION WOMEN	114
	F-30	MARK/CAUTION	115