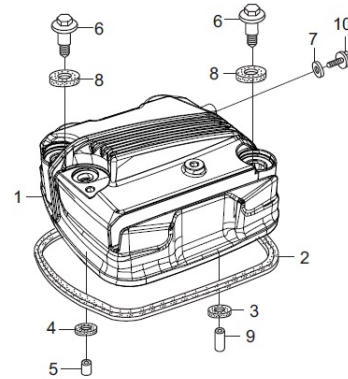


# **PARTS CATALOGUE**

**Hunk 200R (Aug, 2018)**

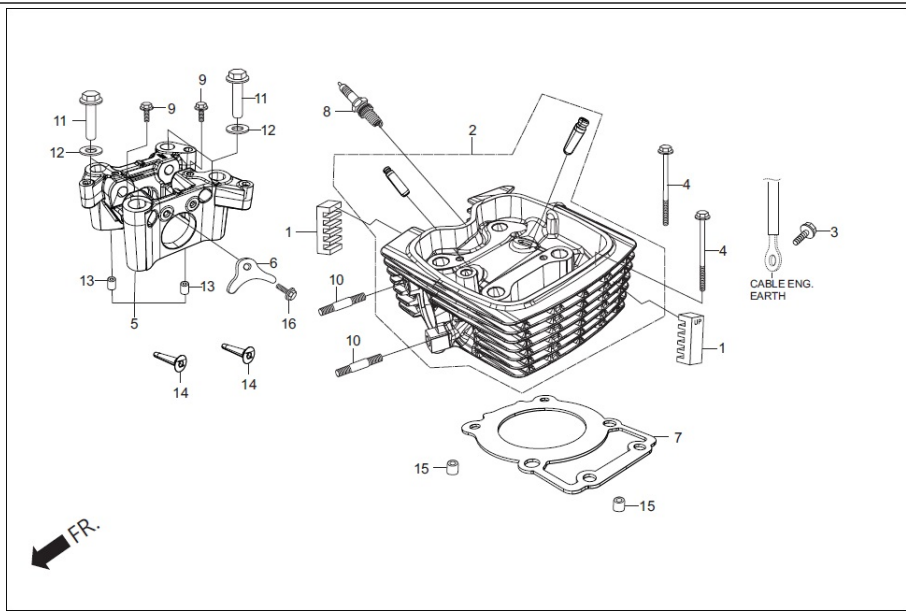
**E-1**  
CYLN. & CYLN HEAD (CYLINDER HEAD  
COVER)



| <b>Service Item</b>          | <b>F.R.T.</b> |
|------------------------------|---------------|
| * COVER COMP., CYLINDER HEAD | 0.3           |
| * GASKET, HEAD COVER         | --            |

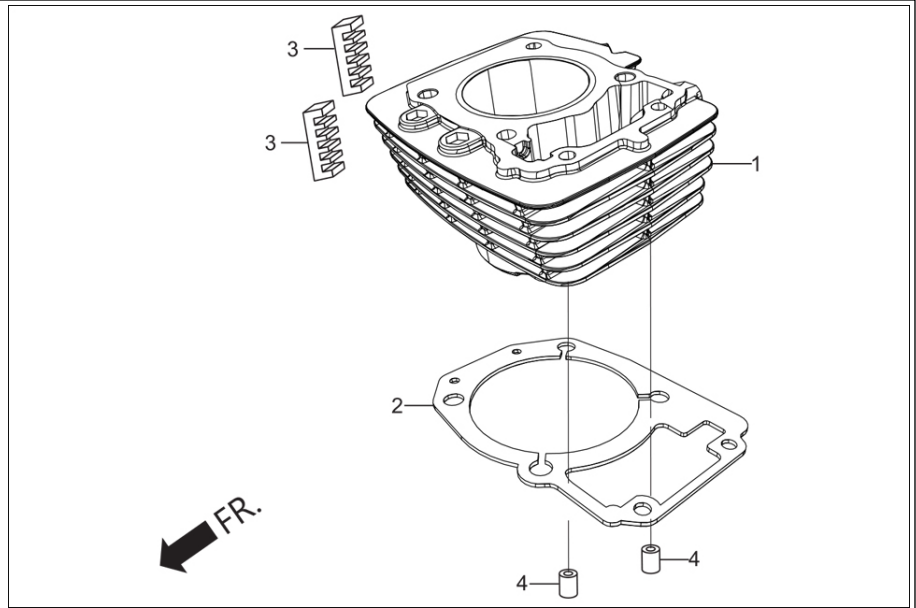
| <b>Group Number: E-1 Model :: Hunk 200R (Aug, 2018)</b> |                    |                          |             |
|---------------------------------------------------------|--------------------|--------------------------|-------------|
| <b>Ref No.</b>                                          | <b>Part Number</b> | <b>Description</b>       | <b>Req.</b> |
| 1                                                       | 12310-AAB-A00      | COVER COMP CYLINDER HEAD | 1           |
| 2                                                       | 12391-KRM-840      | GASKET, HEAD COVER       | 1           |
| 3                                                       | 12396-KRM-840      | GASKET,B, HEAD COVER     | 1           |
| 4                                                       | 12397-KSP-910      | GASKET,CYL. HEAD COVER   | 1           |
| 5                                                       | 12398-KSP-910      | COLLAR 9 MM              | 1           |
| 6                                                       | 90003-KFG-000      | BOLT, L COVER            | 2           |
| 7                                                       | 90463-KRM-840      | WASHER SEALING 6.2 MM    | 1           |
| 8                                                       | 90543-MV9-670      | RUBBER, MOUNT            | 2           |
| 9                                                       | 94301-08140        | DOWEL PIN, 8X14          | 1           |
| 10                                                      | 96001-06012-00     | BOLT,FLANGE,SH.,6 X 12   | 1           |

**E-1A**  
CYLN. & CYLN HEAD (CYLINDER HEAD)



| <b>Service Item</b>           | <b>F.R.T.</b> | <b>Group Number: E-1A Model :: Hunk 200R (Aug. 2018)</b> |                    |                       |             |
|-------------------------------|---------------|----------------------------------------------------------|--------------------|-----------------------|-------------|
| * PLUG, SPARK                 | 0.1           | <b>Ref No.</b>                                           | <b>Part Number</b> | <b>Description</b>    | <b>Req.</b> |
| * BOLT, STUD, 8 X 22          | 0.3           | 1                                                        | 12196-AAB-A00      | RUBBER INSERT CORNER  | 2           |
| ( ADD FOR EACH)               | --            | 2                                                        | 12200-ABF-000      | HEAD COMP CYLINDER    | 1           |
| * INSULATOR COMP., CARBURETOR | 0.4           | 3                                                        | 95701-06016-00     | BOLT, FLANGE, 6X16    | 1           |
| * HOLDER COMP., CAMSHAFT      | 0.9           | 4                                                        | 95801-06105-00     | BOLT FLANGE 6 X 105   | 2           |
| * GASKET, CYLINDER HEAD       | 1.4           | 5                                                        | 12210-ABF-000      | HOLDER COMP CAM SHAFT | 1           |
| * GUIDE IN VALVE              | 2             | 6                                                        | 12212-ABF-000      | PLATE STOPPER         | 1           |
| (INC. REAMING)                | --            | 7                                                        | 12251-ABF-000      | GASKET CYLINDER HEAD  | 1           |
| (ADD FOR EACH)                | --            | 8                                                        | 31916-KRM-84099    | SPARK PLUG            | 1           |
| (EXC. VALVE REFACING)         | --            | 9                                                        | 90002-KRM-840      | BOLT, FLANGE 5X14     | 2           |
| (ADD MORE IF PERFORMED)       | --            | 10                                                       | 90040-KSP-910      | BOLT STUD 8 X 22      | 2           |
| * HEAD COMP., CYLINDER        | 2.2           | 11                                                       | 90306-ABF-000      | NUT CYLINDER HEAD     | 4           |
|                               |               | 12                                                       | 90404-KPT-A00      | WASHER PLAIN 12MM     | 4           |
|                               |               | 13                                                       | 90704-KRM-840      | DOWEL PIN 6 X10       | 2           |
|                               |               | 14                                                       | 93600-05016-0G     | SCREW FLAT 5X16       | 2           |
|                               |               | 15                                                       | 94301-10120        | DOWEL PIN, 10X12      | 2           |
|                               |               | 16                                                       | 95701-06014-00     | BOLT, FLANGE, 6 X 14  | 1           |

**E-1B**  
CYLN. & CYLN HEAD (CYLINDER)

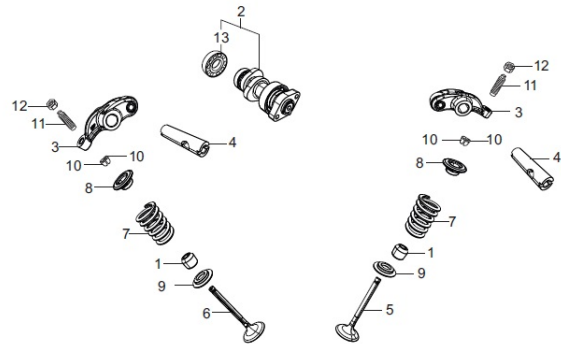


| Service Item       | F.R.T. |
|--------------------|--------|
| * GASKET, CYLINDER | 1.6    |
| * CYLINDER COMP.   | 1.7    |

Group Number: E-1B Model :: Hunk 200R (Aug, 2018)

| Ref No. | Part Number   | Description          | Req. |
|---------|---------------|----------------------|------|
| 1       | 12100-ABF-000 | CYLINDER COMP        | 1    |
| 2       | 12191-ABF-000 | GASKET CYL           | 1    |
| 3       | 12196-AAB-A00 | RUBBER INSERT CORNER | 2    |
| 4       | 94301-10120   | DOWEL PIN, 10X12     | 2    |

**E-1C**  
CYLN. & CYLN HEAD (CAM SHAFT /  
VALVE)

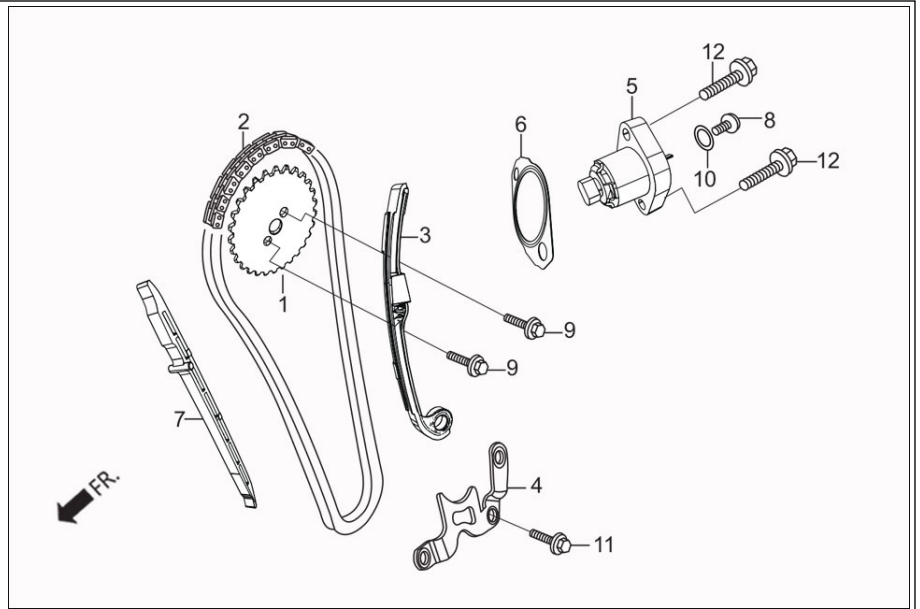


FR.

| <b>Service Item</b>                                    | <b>F.R.T.</b> | <b>Group Number: E-1C Model :: Hunk 200R (Aug, 2018)</b> |                    |                               |             |
|--------------------------------------------------------|---------------|----------------------------------------------------------|--------------------|-------------------------------|-------------|
|                                                        |               | <b>Ref No.</b>                                           | <b>Part Number</b> | <b>Description</b>            | <b>Req.</b> |
| * CAMSHAFT COMP                                        | 0.7           | 1                                                        | 12209-AAN-410      | SEAL VALVE STEM               | 2           |
| * ARM COMP., VALVE ROCKER<br>(SAME TIME FOR TWO UNITS) | 0.8<br>--     | 2                                                        | 14100-ABF-000      | SHAFT COMP CAM                | 1           |
| * BEARING, RADIAL BALL, 6001                           | 0.9           | 3                                                        | 14430-ABF-000      | ARM COMP VALVE ROCKER         | 2           |
| * SPRING, VALVE<br>(ADD FOR EACH)                      | 1.6<br>--     | 4                                                        | 14451-ABF-000      | SHAFT ROCKER ARM              | 2           |
| * VALVE EX<br>(ADD FOR EACH)                           | 1.8<br>--     | 5                                                        | 14711-ABF-000      | VALVE INLET                   | 1           |
| (INC. REFACING)                                        | --            | 6                                                        | 14721-ABF-000      | VALVE EXHAUST                 | 1           |
| (EXC. VALVE GUIDE REPLACEMENT)                         | --            | 7                                                        | 14751-ABF-000      | SPRING VALVE                  | 2           |
|                                                        |               | 8                                                        | 14771-ABF-000      | RETAINER, VALVE SPRING        | 2           |
|                                                        |               | 9                                                        | 14775-ABF-000      | SEAT, VALVE SPRING            | 2           |
|                                                        |               | 10                                                       | 14781-MA6-000      | COTTER, VALVE                 | 4           |
|                                                        |               | 11                                                       | 90012-KK3-830      | SCREW, TAPPET ADJUSTING       | 2           |
|                                                        |               | 12                                                       | 90206-250-000      | NUT, TAPPET ADJUSTING         | 2           |
|                                                        |               | 13                                                       | 91008-KTN-900      | BRG. BALL RADIAL, 12 X 28 X 8 | 1           |

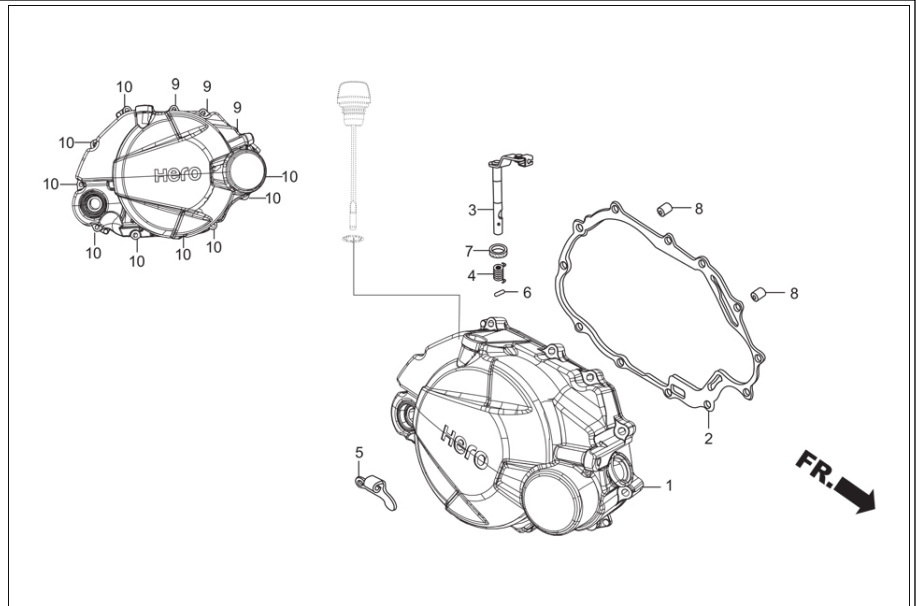


**E-2**  
CAM SHAFT (CAM CHAIN TENSIONER)



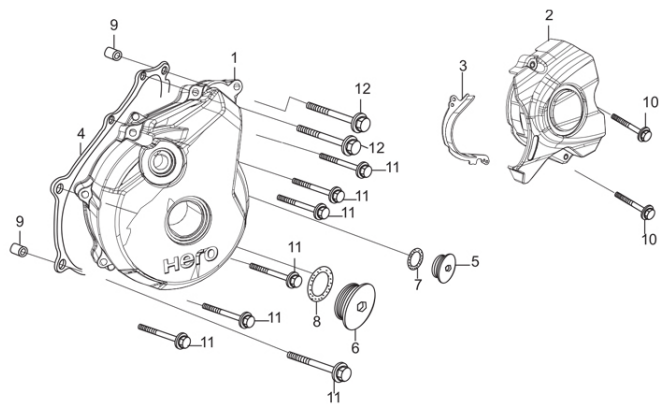
| <b>Service Item</b>          | <b>F.R.T.</b> | <b>Group Number: E-2 Model :: Hunk 200R (Aug, 2018)</b> |                    |                          |             |
|------------------------------|---------------|---------------------------------------------------------|--------------------|--------------------------|-------------|
|                              |               | <b>Ref No.</b>                                          | <b>Part Number</b> | <b>Description</b>       | <b>Req.</b> |
| * LIFTER ASSY., TENSIONER    | 0.2           | 1                                                       | 14321-AAB-A00      | SPROCKET CAM             | 1           |
| * SPROCKET, CAM, (34 T)      | 0.5           | 2                                                       | 14401-AAB-A00      | CHAIN CAM                | 1           |
| * TENSIONER ASSY., CAM CHAIN | 0.9           | 3                                                       | 14510-AAB-A00      | TENSIONER ASSY CAM CHAIN | 1           |
| * CHAIN, CAM                 | 1.0           | 4                                                       | 14515-KRM-840      | PLATE, TENSIONER SET     | 1           |
| * GUIDE, CAM CHAIN           | 1.4           | 5                                                       | 14520-AAB-A0099    | LIFTER ASSY TENSIONER    | 1           |
|                              |               | 6                                                       | 14560-KSP-910      | GASKET, TENSIONER LIFTER | 1           |
|                              |               | 7                                                       | 14610-AAB-A00      | GUIDE CAM CHAIN          | 1           |
|                              |               | 8                                                       | 95701-06006-00     | BOLT FLANGE 6X6          | 1           |
|                              |               | 9                                                       | 90083-KRM-840      | BOLT, KNOCK, 5 MM        | 2           |
|                              |               | 10                                                      | 91306-MG3-000      | O- RING, 1.5X9.5         | 1           |
|                              |               | 11                                                      | 95701-06016-00     | BOLT, FLANGE, 6X16       | 1           |
|                              |               | 12                                                      | 96001-06022-00     | BOLT, FLANGE, SH. 6 X 22 | 2           |

**E-3**  
CRANK CASE & COVER (RIGHT CRANK  
CASE COVER)



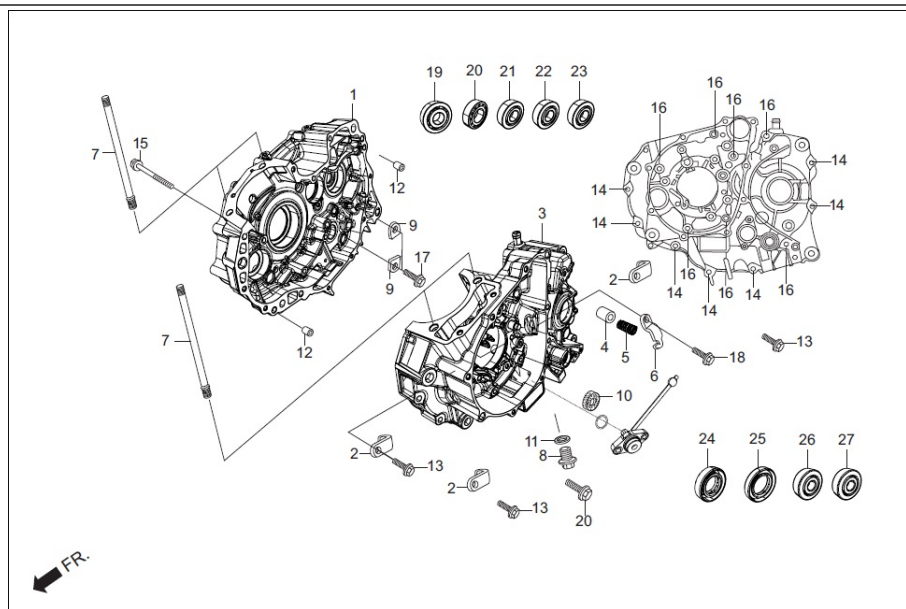
| <b>Service Item</b>         | <b>F.R.T.</b> | <b>Group Number: E-3 Model :: Hunk 200R (Aug, 2018)</b> |                    |                           |             |
|-----------------------------|---------------|---------------------------------------------------------|--------------------|---------------------------|-------------|
| * GASKET, R CRANKCASE COVER | 0.6           | <b>Ref No.</b>                                          | <b>Part Number</b> | <b>Description</b>        | <b>Req.</b> |
| * OIL SEAL ,16 X28 X 27     | --            | 1                                                       | 11330-AAB-A00      | COVER COMP R CRANK CASE   | 1           |
| * COVER COMP., R CRANKCASE  | 0.7           | 2                                                       | 11393-KWK-900      | GASKET, RIGHT COVER       | 1           |
| * LEVER COMP., CLUTCH       | --            | 3                                                       | 22810-KRM-B00      | LEVER COMP CLUTCH         | 1           |
| (INC. RELATIVE PART)        | --            | 4                                                       | 22815-428-000      | SPRING, CLUTCH LEVER      | 1           |
|                             |               | 5                                                       | 22821-KRM-840      | RECEIVER, CLUTCH CABLE    | 1           |
|                             |               | 6                                                       | 90701-KFN-850      | PIN, SPRING, 3 X 10       | 1           |
|                             |               | 7                                                       | 91202-KSP-911      | OIL SEAL, 12 X 18 X 4     | 1           |
|                             |               | 8                                                       | 94301-08140        | DOWEL PIN, 8X14           | 2           |
|                             |               | 9                                                       | 96001-06030-00     | BOLT, FLANGE, SH., 6 X 30 | 3           |
|                             |               | 10                                                      | 96001-06040-00     | BOLT, FLANGE, SH. 6 X 40  | 9           |

**E-3A**  
CRANK CASE & COVER (LEFT CRANK  
CASE COVER)



| <b>Service Item</b>  | <b>F.R.T.</b> | <b>Group Number: E-3A Model :: Hunk 200R (Aug, 2018)</b> |                    |                           |             |
|----------------------|---------------|----------------------------------------------------------|--------------------|---------------------------|-------------|
|                      |               | <b>Ref No.</b>                                           | <b>Part Number</b> | <b>Description</b>        | <b>Req.</b> |
| * COVER COMP., L RR  | 0.1           | 1                                                        | 11341-AAB-A00      | COVER LEFT CRANK CASE     | 1           |
| * GASKET, L COVER    | 0.2           | 2                                                        | 11360-AAB-A00      | COVER COMP L REAR         | 1           |
| * COVER, L CRANKCASE | 0.3           | 3                                                        | 11365-AAB-A00      | GUIDE DRIVE CHAIN         | 1           |
|                      |               | 4                                                        | 11395-KWK-900      | GASKET, L COVER           | 1           |
|                      |               | 5                                                        | 90084-KVE-930      | CAP 14 MM                 | 1           |
|                      |               | 6                                                        | 90087-KVE-900      | CAP, 32 MM                | 1           |
|                      |               | 7                                                        | 91303-KRM-840      | O-RING 13.8 X 2.5         | 1           |
|                      |               | 8                                                        | 91305-KRM-840      | O-RING 31.7 X 2.4         | 1           |
|                      |               | 9                                                        | 94301-08140        | DOWEL PIN, 8X14           | 2           |
|                      |               | 10                                                       | 96001-06030-00     | BOLT, FLANGE, SH., 6 X 30 | 2           |
|                      |               | 11                                                       | 96001-06035-00     | BOLT, FLANGE, SH. 6 X 35  | 7           |
|                      |               | 12                                                       | 96001-06045-00     | BOLT, FLANGE, SH. 6 X 45  | 2           |

**E-3B**  
CRANK CASE & COVER (CRANK CASE)

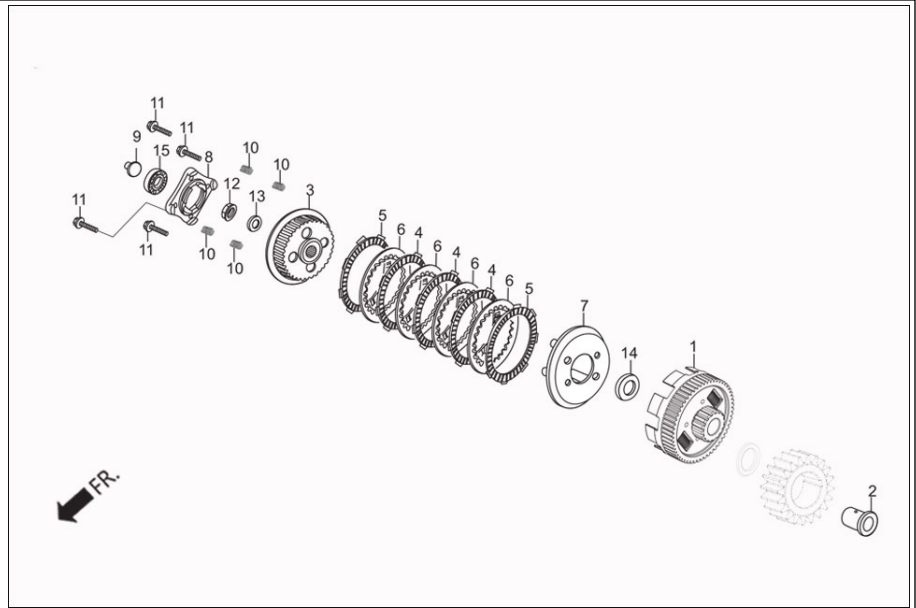


| <b>Service Item</b>                               | <b>F.R.T.</b> |
|---------------------------------------------------|---------------|
| * CONTACT ASSY., NEUTRAL SW                       | 0.3           |
| * BOLT, STUD, CYLINDER, 8 X 140<br>(ADD FOR EACH) | --            |
| * CRANKCASE COMP., L                              | *4.2          |
| * CRANKCASE COMP., R                              | *4.5          |

| <b>Group Number: E-3B Model :: Hunk 200R (Aug, 2018)</b> |                    |                                |             |  |
|----------------------------------------------------------|--------------------|--------------------------------|-------------|--|
| <b>Ref No.</b>                                           | <b>Part Number</b> | <b>Description</b>             | <b>Req.</b> |  |
| 1                                                        | 1110A-ABF-000      | R CRANKCASE INSTL DWG          | 1           |  |
| 2                                                        | 11108-KTN-900      | PLATE L BRG SET                | 3           |  |
| 3                                                        | 11200-ABF-000      | CRANK CASE COMP LEFT           | 1           |  |
| 4                                                        | 11215-KSP-910      | PLUG BRG PUSH                  | 1           |  |
| 5                                                        | 11216-AAB-A00      | SPRING BRG PUSH                | 1           |  |
| 6                                                        | 11217-KRM-840      | PLATE BRG PUSH                 | 1           |  |
| 7                                                        | 90031-KSP-910      | BOLT STUD CYLN 8 X 140         | 4           |  |
| 8                                                        | 90131-KRM-840      | BOLT, PLUG, DRAIN, 12 MM       | 1           |  |
| 9                                                        | 90441-KRM-840      | PLATE, BRG. HOLD               | 2           |  |
| 10                                                       | 91203-KSP-910      | OIL SEAL, 14 X 22 X 5          | 1           |  |
| 11                                                       | 94109-12000        | WASHER, PLUG, DRAIN            | 1           |  |
| 12                                                       | 94301-08140        | DOWEL PIN, 8X14                | 2           |  |
| 13                                                       | 95701-06016-00     | BOLT, FLANGE, 6X16             | 3           |  |
| 14                                                       | 95701-06040-00     | BOLT FLANGE 6X40               | 7           |  |
| 15                                                       | 95701-06045-00     | BOLT, FLANGE, SH. 6 X45        | 1           |  |
| 16                                                       | 95701-06070-00     | BOLT, FLANGE, SH. 6 X70        | 7           |  |
| 17                                                       | 96001-06018-00     | BOLT, FLANGE, 6 X 18           | 1           |  |
| 18                                                       | 95701-06014-00     | BOLT, FLANGE, 6 X 14           | 1           |  |
| 19                                                       | 91001-GF6-000      | BEARING, RADIAL BALL, 6304     | 1           |  |
| 20                                                       | 91001-KTN-900      | BRG. ROLLER, 30 X 58 X 17      | 1           |  |
| 21                                                       | 91003-KSP-910      | BRG. BALL RADIAL, 17 X 42 X 12 | 1           |  |
| 22                                                       | 91004-KTN-900      | BRG. BALL RADIAL, 17 X 40 X 12 | 1           |  |
| 23                                                       | 91010-ABF-001      | BRG BALL RADIAL 12X32X10       | 1           |  |
| 24                                                       | 91204-MC7-003      | OIL SEAL, 16 X 28 X 7          | 1           |  |
| 25                                                       | 91216-KSP-910      | OIL SEAL                       | 1           |  |
| 26                                                       | 96100-62030-00     | BEARING, RADIAL BALL, 6203     | 1           |  |
| 27                                                       | 96100-63010-00     | BRG.BALL RADIAL 6301           | 1           |  |



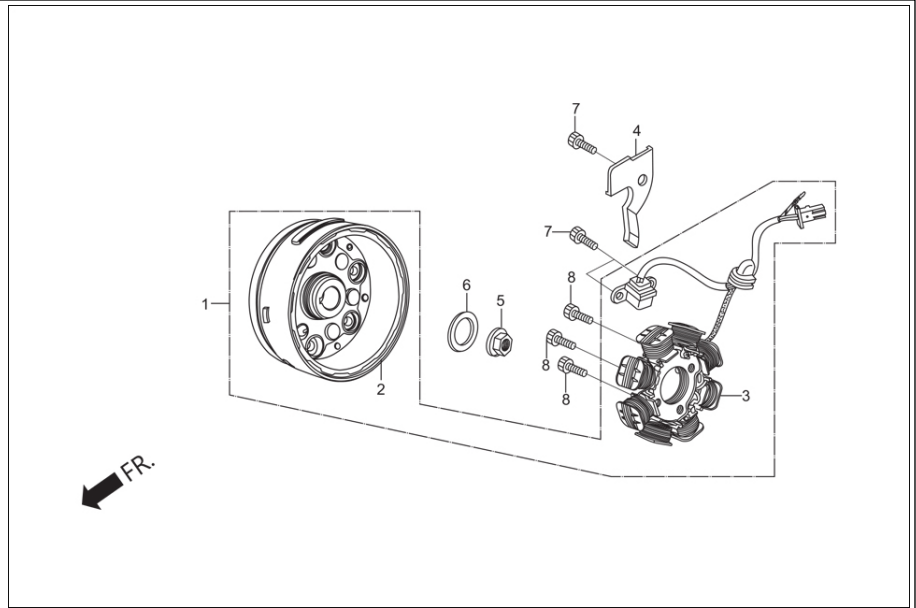
**E-4**  
CLUTCH



| <b>Service Item</b>               | <b>F.R.T.</b> | <b>Group Number: E-4 Model :: Hunk 200R (Aug, 2018)</b> |                    |                                 |             |
|-----------------------------------|---------------|---------------------------------------------------------|--------------------|---------------------------------|-------------|
| * ROD, CLUTCH LIFTER              | 0.6           | <b>Ref No.</b>                                          | <b>Part Number</b> | <b>Description</b>              | <b>Req.</b> |
| * SPRING, CLUTCH.                 | 0.7           | 1                                                       | 22100-KTN-900      | OUTER COMP., CLUTCH             | 1           |
| (SAME TIME FOR TWO UNITS OR MORE) | --            | 2                                                       | 22115-KSP-910      | GUIDE, CLUTCH OUTER             | 1           |
| * CENTER, CLUTCH                  | 0.8           | 3                                                       | 22120-KRM-840      | CENTRE CLUTCH                   | 1           |
| * DISC, CLUTCH FRICTION           | --            | 4                                                       | 22201-KPM-850      | DISK,CLUTCH FRICTION,4 X 8 X 45 | 3           |
| (INC. RELATIVE PART)              | --            | 5                                                       | 22201-MR8-000      | DISC CLUTCH FRICTION            | 2           |
| (SAME TIME FOR TWO UNITS OR MORE) | --            | 6                                                       | 22321-KPS-900      | PLATE, CLUTCH                   | 4           |
| * OUTER COMP., CLUTCH             | --            | 7                                                       | 22355-KRM-840      | PLATE, CLUTCH PRESSURE          | 1           |
|                                   |               | 8                                                       | 22361-KPK-900      | PLATE,CLUTCH LIFTER             | 1           |
|                                   |               | 9                                                       | 22366-KSP-910      | ROD, CLUTCH LIFTER              | 1           |
|                                   |               | 10                                                      | 22401-ABF-000      | SPRING CLUTCH                   | 4           |
|                                   |               | 11                                                      | 90008-KRM-840      | BOLT, FLANGE 6 X 25             | 4           |
|                                   |               | 12                                                      | 90202-KRM-840      | NUT SPL FLANGE 14MM             | 1           |
|                                   |               | 13                                                      | 90401-KRM-840      | WASHER PLAIN 17MM               | 1           |
|                                   |               | 14                                                      | 90501-KPT-A00      | WASHER 14.1X29X2.8              | 1           |
|                                   |               | 15                                                      | 96100-60030-00     | BEARING, RADIAL BALL, 6003      | 1           |

## E-5

### ELECTRICALS (AC GEN ASSY)

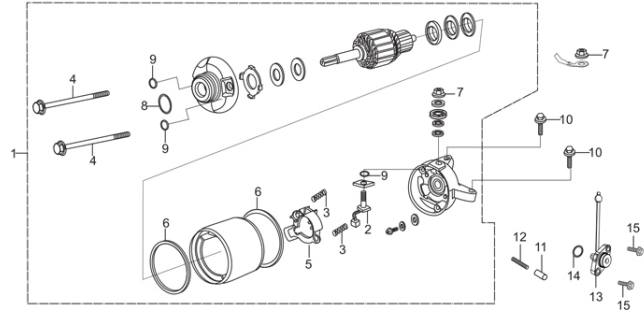


| Service Item      | F.R.T. |
|-------------------|--------|
| * FLY WHEEL COMP. | 0.5    |
| * STATOR COMP     | --     |

**Group Number: E-5 Model :: Hunk 200R (Aug, 2018)**

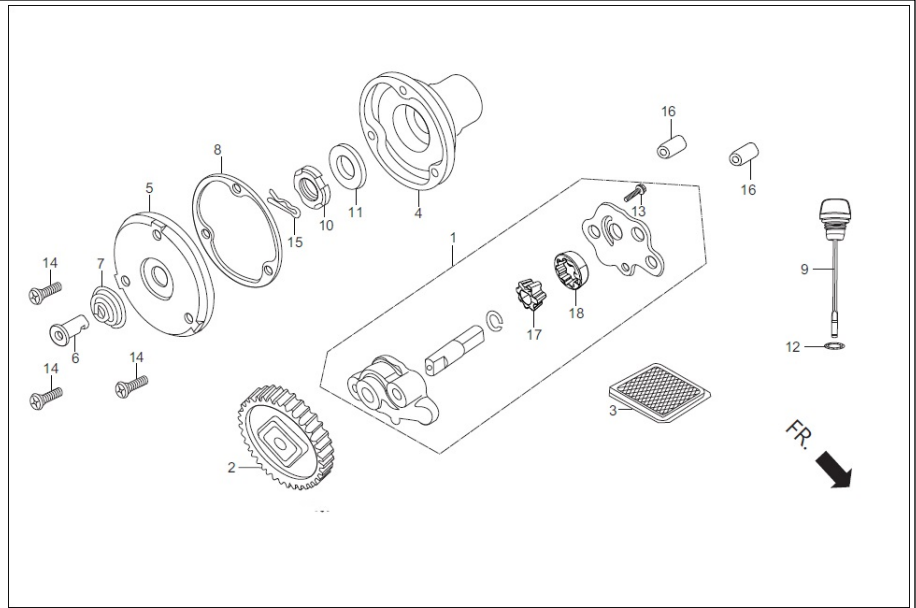
| Ref No. | Part Number    | Description          | Req. |
|---------|----------------|----------------------|------|
| 1       | 31100-KSP-B01  | AC GEN ASSY          | 1    |
| 2       | 31110-KSP-B01  | FLYWHEEL COMP        | 1    |
| 3       | 31120-KSP-B01  | STATOR COMP          | 1    |
| 4       | 32111-KSP-910  | CLAMPER, ACG CORD    | 1    |
| 5       | 90201-KRM-840  | NUT, FLANGE, 14 MM   | 1    |
| 6       | 90501-KPT-A00  | WASHER 14.1X29X2.8   | 1    |
| 7       | 96600-06016-00 | BOLT, SOCKET, 6 X 16 | 3    |
| 8       | 96600-06022-00 | SOCKET BOLT 6X22     | 3    |

**E-5A**  
ELECTRICALS STARTER MOTOR)



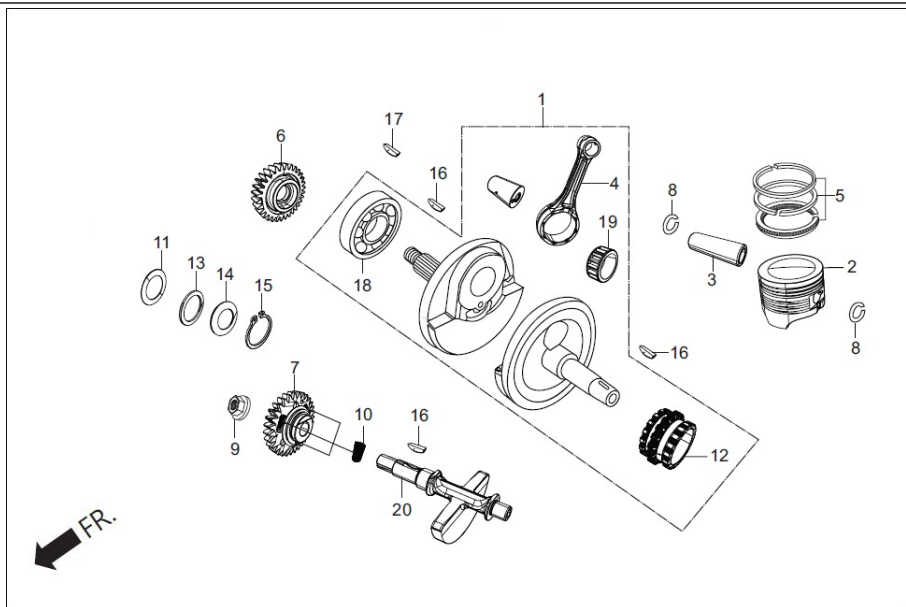
| <b>Service Item</b>    | <b>F.R.T.</b> | <b>Group Number: E-5A Model :: Hunk 200R (Aug, 2018)</b> |                    |                          |             |
|------------------------|---------------|----------------------------------------------------------|--------------------|--------------------------|-------------|
|                        |               | <b>Ref No.</b>                                           | <b>Part Number</b> | <b>Description</b>       | <b>Req.</b> |
| * MOTOR ASSY., STARTER | 0.7           | 1                                                        | 31200-KSP-901      | MOTOR ASSY., STARTER     | 1           |
| * BRUSH, TERMINAL SET  | 0.9           | 2                                                        | 31201-KPT-A01      | BRUSH, TERMINAL SET      | 1           |
|                        |               | 3                                                        | 31204-KG8-004      | BRUSH, SPRING            | 2           |
|                        |               | 4                                                        | 31205-KTC-921      | BOLT, SET                | 2           |
|                        |               | 5                                                        | 31206-KPH-881      | BRUSH, HOLDER SET        | 1           |
|                        |               | 6                                                        | 31207-MBE-008      | RING                     | 2           |
|                        |               | 7                                                        | 90071-MB0-000      | NUT, WASHER, 6 MM        | 2           |
|                        |               | 8                                                        | 91309-425-003      | O RING 24.4X3.1          | 1           |
|                        |               | 9                                                        | 91320-MB0-000      | O RING                   | 3           |
|                        |               | 10                                                       | 95701-06022-00     | BOLT, FLANGE, SH. 6 X 22 | 2           |
|                        |               | 11                                                       | 35751-KPH-900      | CAP, CONTACT CHANGE SW.  | 1           |
|                        |               | 12                                                       | 35752-KRM-840      | SPRING, CONN. CHANGE SW. | 1           |
|                        |               | 13                                                       | 35759-AAB-000      | CONTACT ASSY NEUTRAL SW  | 1           |
|                        |               | 14                                                       | 91305-KPH-900      | O-RING,19.4 X 2.3        | 1           |
|                        |               | 15                                                       | 95701-06020-00     | BOLT, FLANGE, 6X20       | 2           |

**E-6**  
OIL PUMP ASSY.



| <b>Service Item</b>          | <b>F.R.T.</b> | <b>Group Number: E-6 Model :: Hunk 200R (Aug. 2018)</b> |                    |                       |             |
|------------------------------|---------------|---------------------------------------------------------|--------------------|-----------------------|-------------|
|                              |               | <b>Ref No.</b>                                          | <b>Part Number</b> | <b>Description</b>    | <b>Req.</b> |
| * CAP, OIL FILTER ROTOR      | 0.6           | 1                                                       | 15100-ABF-000      | OIL PUMP ASSEMBLY     | 1           |
| * GEAR COMP., OIL PUMP DRIVE | --            | 2                                                       | 15130-KRM-840      | GEAR COMP., OIL PUMP  | 1           |
| * SCREEN, OIL FILTER         | --            | 3                                                       | 15421-KTN-900      | SCREEN, OIL FILTER    | 1           |
| * PUMP ASSY., OIL            | 0.7           | 4                                                       | 15430-KSP-910      | ROTOR, OIL FILTER     | 1           |
| * ROTOR, OIL PUMP INNER      | --            | 5                                                       | 15436-KRM-840      | CAP, OIL FILTER ROTOR | 1           |
| (SAME TIME FOR TWO UNITS)    | --            | 6                                                       | 15441-KCS-650      | OIL, THROUGH          | 1           |
|                              |               | 7                                                       | 15446-107-000      | SPRING, OIL THROUGH   | 1           |
|                              |               | 8                                                       | 15459-AAB-A00      | GASKET OIL FILTER CAP | 1           |
|                              |               | 9                                                       | 15650-KVN-970      | GAUGE,OIL LEVEL       | 1           |
|                              |               | 10                                                      | 90231-KM7-700      | NUT, LOCK, 14 MM      | 1           |
|                              |               | 11                                                      | 90432-KPT-A00      | WASHER, 14.2 X 26 X 3 | 1           |
|                              |               | 12                                                      | 91307-KRM-840      | O-RING, 18 X 3        | 1           |
|                              |               | 13                                                      | 93600-06040-0G     | SCREW FLAT 6X40       | 1           |
|                              |               | 14                                                      | 93700-05012-0A     | SCREW, OVAL, 5X12     | 3           |
|                              |               | 15                                                      | 94251-08000        | PIN LOCK, 8 MM        | 1           |
|                              |               | 16                                                      | 94301-08140        | DOWEL PIN, 8X14       | 2           |
|                              |               | 17                                                      | 15331-ABF-000      | ROTOR INNER OIL PUMP  | 1           |
|                              |               | 18                                                      | 15332-ABF-000      | ROTOR OUTER OIL PUMP  | 1           |

**E-7**  
CRANK SHAFT (CRANK SHAFT / PISTON)

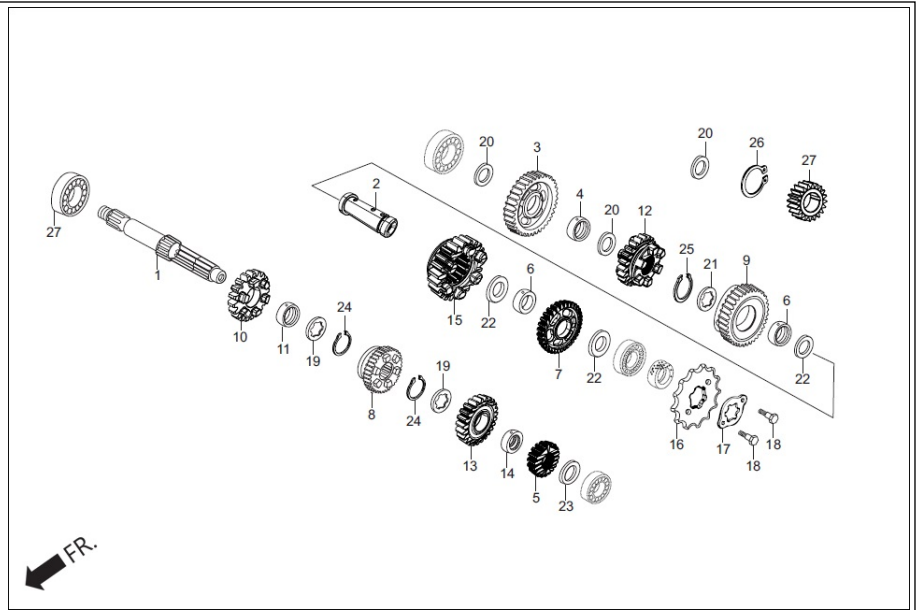




| <b>Service Item</b>            | <b>F.R.T.</b> | <b>Group Number: E-7 Model :: Hunk 200R (Aug, 2018)</b> |                    |                                |             |
|--------------------------------|---------------|---------------------------------------------------------|--------------------|--------------------------------|-------------|
|                                |               | <b>Ref No.</b>                                          | <b>Part Number</b> | <b>Description</b>             | <b>Req.</b> |
| * PIN, PISTON                  | 1.7           | 1                                                       | 13000-ABF-000      | CRANK SHAFT COMP               | 1           |
| * PISTON                       | 1.8           | 2                                                       | 13101-ABF-000      | PISTON                         | 1           |
| * RING SET, PISTON             | --            | 3                                                       | 13111-ABF-000      | PIN PISTON                     | 1           |
| * BEARING, ROLLER 30 X 58 X 17 | *3.7          | 4                                                       | 13201-ABF-000      | ROD CONNECTING                 | 1           |
| * CRANKSHAFT COMP              | --            | 5                                                       | 13011-ABF-001      | RING SET PISTON STD            | 1           |
|                                |               | 6                                                       | 13411-AAB-A00      | GEAR BALANCER DRIVE            | 1           |
|                                |               | 7                                                       | 13420-AAB-A00      | GEAR ASSY BALANCER DRIVEN      | 1           |
|                                |               | 8                                                       | 94601-15000        | CLIP,PISTON PIN,15 MM          | 2           |
|                                |               | 9                                                       | 94050-12000        | NUT, FLANGE, 12 MM             | 1           |
|                                |               | 10                                                      | 13427-AAB-A00      | SPRING DAMPER                  | 3           |
|                                |               | 11                                                      | 13538-AAB-A00      | SPRING THRUST                  | 1           |
|                                |               | 12                                                      | 14311-AAB-A00      | SPROCKET TIMING                | 1           |
|                                |               | 13                                                      | 90402-AAB-A00      | WASHER 28.1X36.5X1.8           | 1           |
|                                |               | 14                                                      | 90403-AAB-A00      | WASHER 28.1X45.5X1.4           | 1           |
|                                |               | 15                                                      | 90604-AAB-A00      | CIRCLIP EXTERNAL 28            | 1           |
|                                |               | 16                                                      | 90741-KGH-900      | KEY, WOODRUFF, 4 MM            | 3           |
|                                |               | 17                                                      | 90741-KFB-000      | KEY,WOODRUFF,4 MM              | 1           |
|                                |               | 18                                                      | 91002-KSP-911      | BRG. BALL, RADIAL, 6207 SPL. L | 1           |
|                                |               | 19                                                      | 91101-ABF-000      | CON ROD BRG RED                | 1           |
|                                |               |                                                         | 91102-ABF-000      | CON ROD BRG BLUE               | 1           |
|                                |               |                                                         | 91103-ABF-000      | CON ROD BRG WHITE              | 1           |
|                                |               | 20                                                      | 13421-ABF-000      | BALANCER SHAFT                 | 1           |

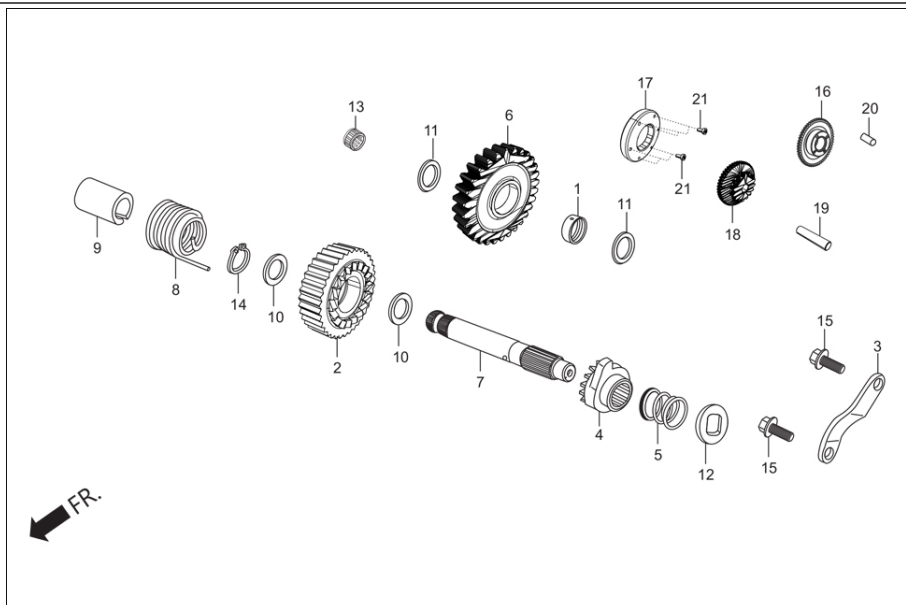
# E-8

TRANSMISSION



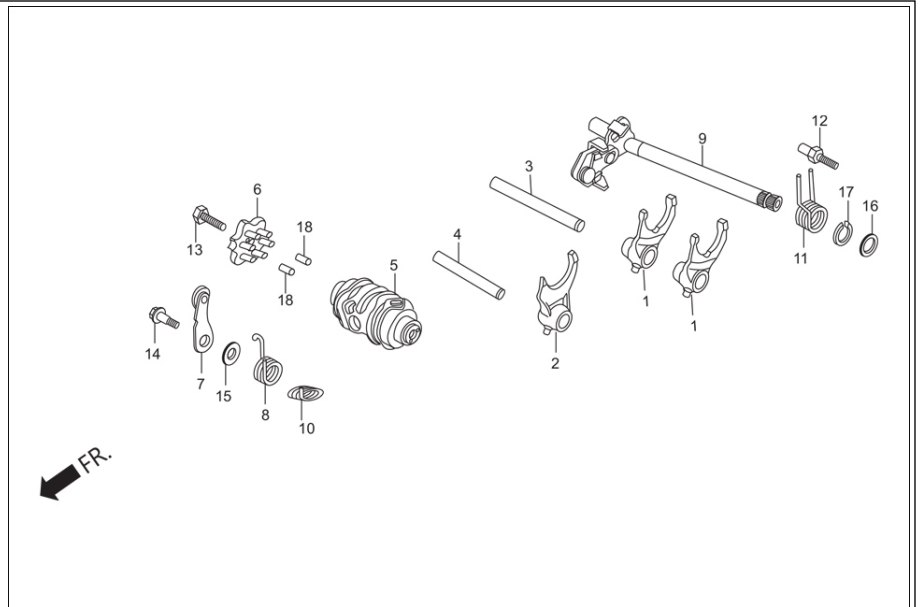
| <b>Service Item</b>                                      | <b>F.R.T.</b> | <b>Group Number: E-8 Model :: Hunk 200R (Aug, 2018)</b> |                    |                           |             |
|----------------------------------------------------------|---------------|---------------------------------------------------------|--------------------|---------------------------|-------------|
| * SPROCKET, DRIVE                                        | 0.2           | <b>Ref No.</b>                                          | <b>Part Number</b> | <b>Description</b>        | <b>Req.</b> |
| * COUNTER SHAFT COMP<br>(INC. RELATIVE PART)             | *3.7<br>--    | 1                                                       | 23210-KVN-900      | SHAFT COMP., MAIN TRANS   | 1           |
| * SHAFT COMP., MAIN TRANSMISSION<br>(INC. RELATIVE PART) | --<br>--      | 2                                                       | 23220-AAB-A00      | SHAFT COMP COUNTER        | 1           |
| (WHEN SERVICING COMP. UNIT<br>F. R T. IS 3.9)            | --<br>--      | 3                                                       | 23421-KVN-900      | GEAR, C-1, ( 40 T )       | 1           |
|                                                          |               | 4                                                       | 23427-KRM-840      | BUSH, 17 X 20.5 X 8       | 1           |
|                                                          |               | 5                                                       | 23431-AAB-A00      | GEAR M-2 (19T)            | 1           |
|                                                          |               | 6                                                       | 23432-KRM-840      | BUSH, 20 MM               | 2           |
|                                                          |               | 7                                                       | 23441-AAB-A00      | GEAR C-2 (34T)            | 1           |
|                                                          |               | 8                                                       | 23451-KVN-900      | GEAR, M3, ( 23 T )        | 1           |
|                                                          |               | 9                                                       | 23461-KVN-900      | GEAR, C3, ( 30 T )        | 1           |
|                                                          |               | 10                                                      | 23471-AAB-A00      | GEAR M-4 (20T)            | 1           |
|                                                          |               | 11                                                      | 23472-KSP-910      | BUSH 17 MM                | 1           |
|                                                          |               | 12                                                      | 23481-AAB-A00      | GEAR C-4 (22T)            | 1           |
|                                                          |               | 13                                                      | 23491-AAB-A00      | GEAR M-5 (24T)            | 1           |
|                                                          |               | 14                                                      | 23492-KSP-910      | COLLAR SPLINE 17X20X11    | 1           |
|                                                          |               | 15                                                      | 23501-AAB-A00      | GEAR C-5 (23T)            | 1           |
|                                                          |               | 16                                                      | 23801-KRY-970      | SPROCKET DRIVE 13T        | 1           |
|                                                          |               | 17                                                      | 23811-KR3-600      | PLATE, A2 FIXING          | 1           |
|                                                          |               | 18                                                      | 90084-041-000      | BOLT, DRIVE SPRKT, FIXING | 2           |
|                                                          |               | 19                                                      | 90452-KRM-840      | WASHER ,17 X 23 X1.6      | 2           |
|                                                          |               | 20                                                      | 90452-GB4-770      | WASHER, THRUST, 17MM      | 3           |
|                                                          |               | 21                                                      | 90453-KRM-840      | WASHER SPLINE 20 MM       | 1           |
|                                                          |               | 22                                                      | 90454-107-000      | WASHER ,THRUST, 20MM      | 3           |
|                                                          |               | 23                                                      | 90456-KRM-840      | WASHER, THURST, 12MM      | 1           |
|                                                          |               | 24                                                      | 90601-AAB-A00      | CIRCLIP 17 MM             | 2           |
|                                                          |               | 25                                                      | 90605-200-000      | SET RING, 20MM            | 1           |
|                                                          |               | 26                                                      | 90602-KRM-840      | CIRCLIP, EXTERNAL, 17 MM  | 1           |
|                                                          |               | 27                                                      | 23121-KVE-860      | GEAR PRIMARY DRIVE        | 1           |

**E-9**  
KICK STARTER (SPINDLE KICK STARTER)



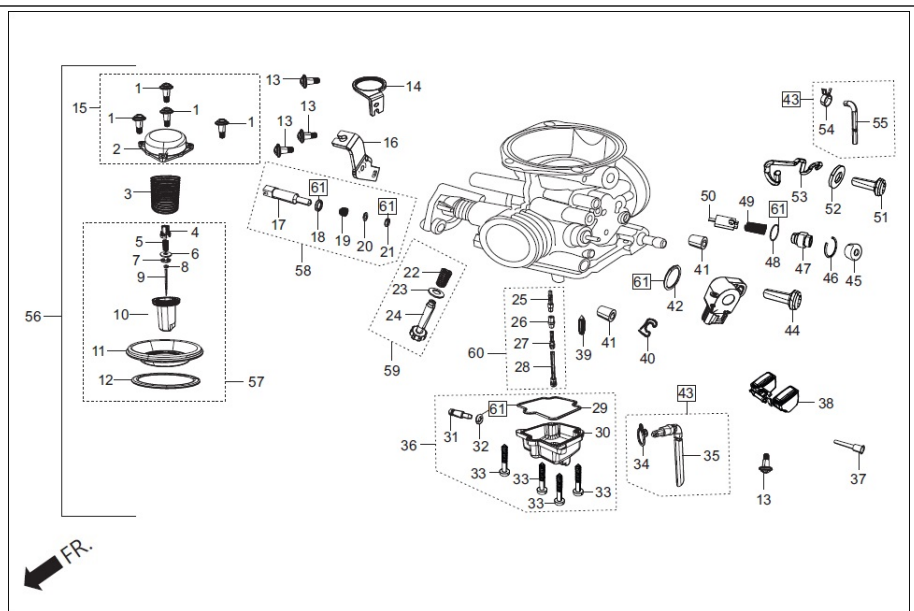
| <b>Service Item</b>                             | <b>F.R.T.</b> | <b>Group Number: E-9 Model :: Hunk 200R (Aug, 2018)</b> |                    |                                |             |
|-------------------------------------------------|---------------|---------------------------------------------------------|--------------------|--------------------------------|-------------|
|                                                 |               | <b>Ref No.</b>                                          | <b>Part Number</b> | <b>Description</b>             | <b>Req.</b> |
| * SPINDLE, KICK STARTER<br>(INC. RELATIVE PART) | 0.7<br>--     | 1                                                       | 23427-KRM-840      | BUSH, 17 X 20.5 X 8            | 1           |
| * SPRING, KICK RETURN                           | --            | 2                                                       | 28211-AAB-A00      | PINION KICK STARTER            | 1           |
| * GEAR, KICK STARTER IDLE                       | 0.8           | 3                                                       | 28215-KRM-840      | PLATE, KICK STOPPER            | 1           |
|                                                 |               | 4                                                       | 28221-KTN-900      | RATCHET, STARTER               | 1           |
|                                                 |               | 5                                                       | 28223-KRM-840      | SPRING, RATCHET                | 1           |
|                                                 |               | 6                                                       | 28231-AAB-A00      | GEAR KICK IDLE STARTER         | 1           |
|                                                 |               | 7                                                       | 28251-KTN-900      | SPINDLE, KICK STARTER          | 1           |
|                                                 |               | 8                                                       | 28261-KRM-840      | SPG., KICK RETURN              | 1           |
|                                                 |               | 9                                                       | 28282-KRM-840      | COLLAR, KICK SPG.              | 1           |
|                                                 |               | 10                                                      | 90451-KRM-840      | WASHER, THRUST, 16 MM          | 2           |
|                                                 |               | 11                                                      | 90452-GB4-770      | WASHER, THRUST, 17MM           | 2           |
|                                                 |               | 12                                                      | 90455-KSP-910      | WASHER, SPL., 14 MM            | 1           |
|                                                 |               | 13                                                      | 91022-KTN-900      | BEARING NEEDLE, 22 X 29 X 16.8 | 1           |
|                                                 |               | 14                                                      | 94510-16000        | CIRCLIP, EXTERNAL, 16 MM       | 1           |
|                                                 |               | 15                                                      | 95701-06016-00     | BOLT, FLANGE, 6X16             | 2           |
|                                                 |               | 16                                                      | 28110-KTN-900      | GEAR COMP., STARTER DRIVEN     | 1           |
|                                                 |               | 17                                                      | 28120-KTR-A00A     | ASSY. ONEWAY CLUTCH            | 1           |
|                                                 |               | 18                                                      | 28131-KTN-900      | GEAR STARTER REDUCTION         | 1           |
|                                                 |               | 19                                                      | 28132-KN6-930      | SHAFT, REDUCTION GEAR          | 1           |
|                                                 |               | 20                                                      | 28133-KRM-850      | COLLAR, STARTER REDUCTION      | 1           |
|                                                 |               | 21                                                      | 90085-KTC-920      | BOLT, SOCKET, 6 X 14           | 6           |

**E-10**  
GEAR SHIFT (DRUM GEAR SHIFT)



| <b>Service Item</b>             | <b>F.R.T.</b> | <b>Group Number: E-10 Model :: Hunk 200R (Aug, 2018)</b> |                    |                                  |             |
|---------------------------------|---------------|----------------------------------------------------------|--------------------|----------------------------------|-------------|
| * SPINDLE COMP., GEARSHIFT      | 0.8           | <b>Ref No.</b>                                           | <b>Part Number</b> | <b>Description</b>               | <b>Req.</b> |
| * PLATE COMP., SHIFT DRUM       | --            | 1                                                        | 24211-KRM-840      | FORK, R/L, GEAR SHIFT            | 2           |
| STOPPER                         | 0.9           | 2                                                        | 24212-KRM-840      | FORK, CENTER, GEAR SHIFT         | 1           |
| * STOPPER COMP., GEARSHIFT DRUM | --            | 3                                                        | 24241-KRM-840      | SHAFT, A GEAR SHIFT FORK         | 1           |
| * DRUM, GEARSHIFT               | *3.6          | 4                                                        | 24242-KRM-840      | SHAFT, B GEAR SHIFT FORK         | 1           |
| * FORK, GEAR SHIFT              | --            | 5                                                        | 24301-KSP-910      | DRUM GEAR SHIFT                  | 1           |
| (SAME FOR TWO UNITS OR MORE)    | --            | 6                                                        | 24410-KSP-860      | PLATE, COMP., SHIFT DRUM STOPPER | 1           |
|                                 |               | 7                                                        | 24430-KTN-900      | STOPR COMP., GEAR SHIFT DRUM     | 1           |
|                                 |               | 8                                                        | 24436-KSP-910      | SPRING, DRUM STOPPER             | 1           |
|                                 |               | 9                                                        | 24610-KSP-910      | SPINDLE, COMP., GEAR SHIFT       | 1           |
|                                 |               | 10                                                       | 24627-KRM-840      | SPRING GEAR SHIFTER RESET        | 1           |
|                                 |               | 11                                                       | 24651-KSP-910      | SPRING, SHIFT RETURN             | 1           |
|                                 |               | 12                                                       | 24652-KSP-910      | PIN, SHIFT, RETURN SPRING        | 1           |
|                                 |               | 13                                                       | 90003-KVS-900      | BOLT HEX.6X20                    | 1           |
|                                 |               | 14                                                       | 90022-MG8-000      | PIVOT, SHIFT DRUM STOPR. ARM     | 1           |
|                                 |               | 15                                                       | 90417-KRM-840      | WASHER DRUM STOPPER              | 1           |
|                                 |               | 16                                                       | 90457-KRM-840      | WASHER, 14 MM                    | 1           |
|                                 |               | 17                                                       | 94510-14000        | CIRCLIP, EXTERNAL, 14 MM         | 1           |
|                                 |               | 18                                                       | 96220-30085        | ROLLER, 3 X 8.5                  | 2           |

# E-11 CARBURETTOR



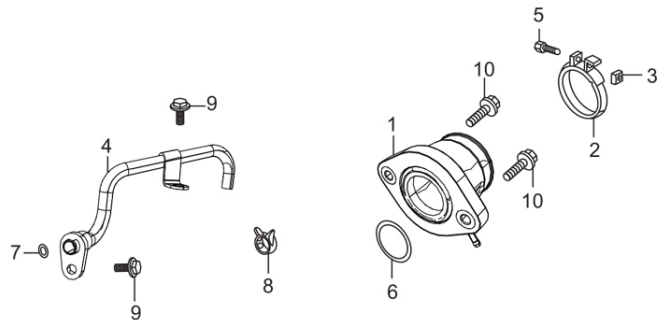


| <b>Service Item</b>    | <b>F.R.T.</b> | <b>Group Number: E-11 Model :: Hunk 200R (Aug, 2018)</b> |                    |                        |             |
|------------------------|---------------|----------------------------------------------------------|--------------------|------------------------|-------------|
|                        |               | <b>Ref No.</b>                                           | <b>Part Number</b> | <b>Description</b>     | <b>Req.</b> |
| * SENSOR ASSY., THROTL | 0.2           | 1                                                        | 16023-AAB-A00      | SCREW DH COVER         | 4           |
| * CHAMBER SET, FLOAT   | 0.4           | 2                                                        | 16012-AAB-A00      | DIAPHRAGM COVER        | 1           |
| * PISTON COMP., VACUUM | --            | 3                                                        | 16018-AAB-A00      | SPRING                 | 1           |
| * VALVE SET, STARTER   | --            | 4                                                        | 16086-AAB-A00      | HOLDER                 | 1           |
| * CARBURETTOR ASSY     | 0.5           | 5                                                        | 16083-AAB-A00      | SPRING                 | 1           |
| * FLOAT SET            | --            | 6                                                        | 16087-AAB-A00      | WASHER                 | 1           |
| * JET, MAIN,           | --            | 7                                                        | 16081-AAB-A00      | E RING                 | 1           |
| * VALVE COMP., FLOAT   | --            | 8                                                        | 16082-AAB-A00      | RING                   | 1           |
| * NEEDLE SET, JET      | 0.6           | 9                                                        | 16084-AAB-A00      | JET NEEDLE             | 1           |
|                        |               | 10                                                       | 16022-AAB-A00      | PISTON VALVE ASSEMBLY  | 1           |
|                        |               | 11                                                       | 16013-AAB-A00      | DIAPHRAGM              | 1           |
|                        |               | 12                                                       | 16085-AAB-A00      | RING                   | 1           |
|                        |               | 13                                                       | 16021-AAB-A00      | SCREW FLOAT            | 4           |
|                        |               | 14                                                       | 16054-AAB-A00      | BRACKET                | 1           |
|                        |               | 15                                                       | 16006-AAB-A00      | TOP COVER ASSY SET     | 1           |
|                        |               | 16                                                       | 16024-AAB-A00      | BRACKET TH CABLE       | 1           |
|                        |               | 17                                                       | 16044-AAB-A00      | ADJUSTER               | 1           |
|                        |               | 18                                                       | 16043-AAB-A00      | O RING PS HEAD         | 1           |
|                        |               | 19                                                       | 16045-AAB-A00      | SPRING                 | 1           |
|                        |               | 20                                                       | 16046-AAB-A00      | WASHER                 | 1           |
|                        |               | 21                                                       | 16047-AAB-A00      | O RING                 | 1           |
|                        |               | 22                                                       | 16042-AAB-A00      | SPRING IDLE ADJUSTER   | 1           |
|                        |               | 23                                                       | 16052-AAB-A00      | PACKING IDLE ADJUSTER  | 1           |
|                        |               | 24                                                       | 16041-AAB-A00      | ADJUSTER IDLE ADJUSTER | 1           |
|                        |               | 25                                                       | 16048-AAB-A00      | PILOT JET              | 1           |
|                        |               | 26                                                       | 16088-AAB-A00      | NEEDLE JET             | 1           |
|                        |               | 27                                                       | 16165-AAB-A00      | JET HOLDER             | 1           |
|                        |               | 28                                                       | 16020-AAB-A00      | MAIN JET               | 1           |

|    |               |                                    |   |
|----|---------------|------------------------------------|---|
| 29 | 16032-AAB-A00 | O RING                             | 1 |
| 30 | 16051-AAB-A00 | FLOAT BODY ASSEMBLY                | 1 |
| 31 | 16049-AAB-A00 | DRAIN SCREW                        | 1 |
| 32 | 16050-AAB-A00 | O RING DRAIN                       | 1 |
| 33 | 16033-AAW-001 | SCREW ASSEMBLY (FCB)               | 4 |
| 34 | 16031-AAB-A00 | CLIP DRAIN HOSE                    | 1 |
| 35 | 16033-AAB-A00 | HOSE DRAIN                         | 1 |
| 36 | 16005-AAB-A00 | FLOAT CHAMBER SET                  | 1 |
| 37 | 16011-AAB-A00 | FLOAT PIN                          | 1 |
| 38 | 16019-AAB-A00 | FLOAT ASSEMBLY                     | 1 |
| 39 | 16155-AAB-A00 | NEEDLE ASSEMBLY                    | 1 |
| 40 | 16029-AAB-A00 | CLIP                               | 1 |
| 41 | 16056-AAB-A00 | DUST CAP FUEL INLET & PURGE NIPPLE | 2 |
| 42 | 16071-AAB-A00 | O RING TPS                         | 1 |
| 43 | 16008-AAB-A00 | DRAIN AND VENT HOSE SET            | 1 |
| 44 | 16026-AAB-A00 | SCREW TPS                          | 1 |
| 45 | 16008-AAW-001 | CAP                                | 1 |
| 46 | 16029-AAW-001 | CLIP                               | 1 |
| 47 | 16023-AAW-001 | GUIDE HOLDER                       | 1 |
| 48 | 16072-AAW-001 | ORING (GUIDE HOLDER)               | 1 |
| 49 | 16053-AAB-A00 | SPRING GUIDE HOLDER                | 1 |
| 50 | 16024-AAW-001 | PLUNGER ASSEMBLY                   | 1 |
| 51 | 16059-AAB-A00 | SCREW ASSEMBLY                     | 1 |
| 52 | 16058-AAB-A00 | WASHER                             | 1 |
| 53 | 16057-AAB-A00 | WIRE CLIP TPS WIRE HOLDING         | 1 |
| 54 | 16027-AAB-A00 | CLIP AIR VENT HOSE                 | 1 |
| 55 | 16028-AAB-A00 | HOSE AIR VENT                      | 1 |
| 56 | 16100-AAB-A00 | CARBURETOR ASSY                    | 1 |
| 57 | 16001-AAB-A00 | DIAPHRAGM ASSY SET                 | 1 |
| 58 | 16002-AAB-A00 | PILOT SCREW SET                    | 1 |

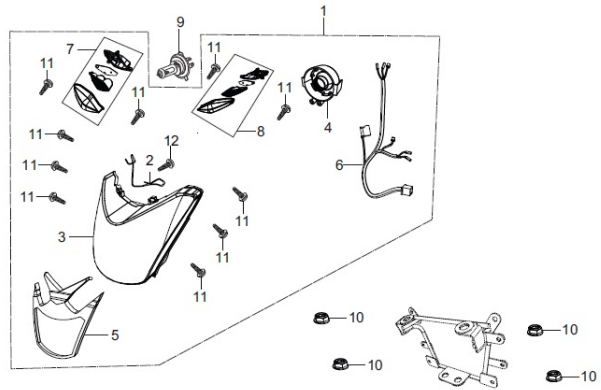
|    |               |                       |   |
|----|---------------|-----------------------|---|
| 59 | 16003-AAB-A00 | IDLE ADJUSTER SET     | 1 |
| 60 | 16004-AAB-A00 | JET SET               | 1 |
| 61 | 16007-AAB-A00 | O RING AND GESKET SET | 1 |

**E-11A**  
EXHAUST (AIR FEED PIPE/INLET PIPE)



| <b>Service Item</b>      | <b>F.R.T.</b> | <b>Group Number: E-11A Model :: Hunk 200R (Aug, 2018)</b> |                    |                          |             |
|--------------------------|---------------|-----------------------------------------------------------|--------------------|--------------------------|-------------|
|                          |               | <b>Ref No.</b>                                            | <b>Part Number</b> | <b>Description</b>       | <b>Req.</b> |
| * SENSOR ASSY., THROTTLE | 0.2           | 1                                                         | 16200-AAB-A00      | INSULATOR ASSY CARB      | 1           |
| * CHAMBER SET, FLOAT     | 0.4           | 2                                                         | 16217-KSP-910      | BAND INSULATOR           | 1           |
| * PISTON COMP., VACUUM   | --            | 3                                                         | 16222-KSP-910      | NUT, SQUARE, 5 MM        | 1           |
| * VALVE SET, STARTER     | --            | 4                                                         | 18640-AAB-A00      | PIPE COMP AIR FEED       | 1           |
| * CARBURETTOR ASSY       | 0.5           | 5                                                         | 90006-MEE-000      | BOLT RECESSED 5 X 30     | 1           |
| * FLOAT SET              | --            | 6                                                         | 91304-KRM-840      | O-RING 33.5 X 3.0        | 1           |
| * JET, MAIN              | --            | 7                                                         | 91309-MJ0-003      | O-RING, 9.8 X 2.8        | 1           |
| * VALVE COMP., FLOAT     | --            | 8                                                         | 95002-40800-08     | CLAMP D 8.0 TUBE         | 1           |
| * NEEDLE SET, JET        | 0.6           | 9                                                         | 95701-06016-00     | BOLT, FLANGE, 6X16       | 2           |
|                          |               | 10                                                        | 96001-06022-00     | BOLT, FLANGE, SH. 6 X 22 | 2           |

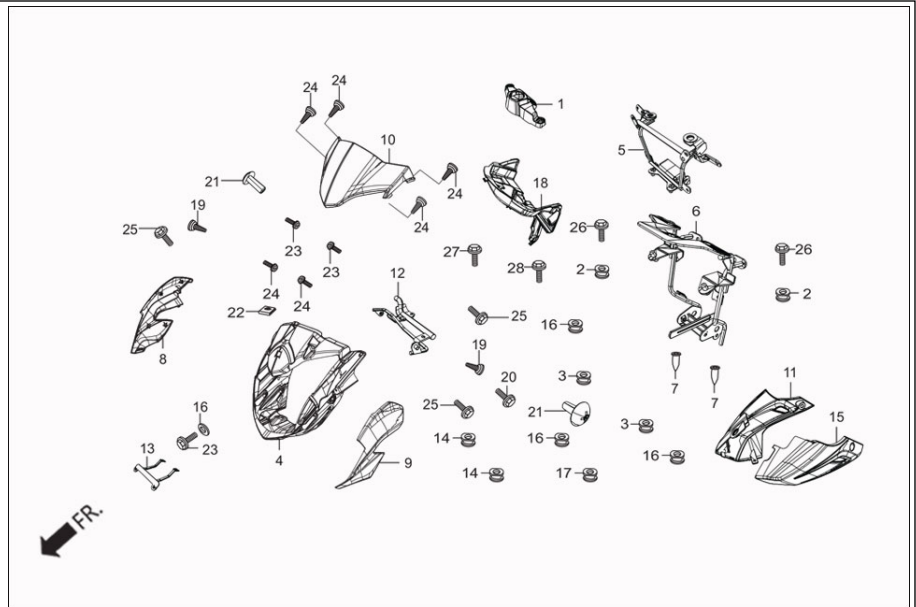
**F-1**  
HEAD LIGHT



← FR.

| <b>Service Item</b>       | <b>F.R.T.</b> | <b>Group Number: F-1 Model :: Hunk 200R (Aug, 2018)</b> |                    |                             |             |
|---------------------------|---------------|---------------------------------------------------------|--------------------|-----------------------------|-------------|
| * BULB, HEADLIGHT         | 0.2           | <b>Ref No.</b>                                          | <b>Part Number</b> | <b>Description</b>          | <b>Req.</b> |
| * SOCKET ASSY., HEADLIGHT | 0.2           | 1                                                       | 3310B-AAB-A01      | LIGHT ASSY HEAD (W/O BULB)  | 1           |
| * UNIT, HEADLIGHT         | 0.3           | 2                                                       | 33108-AAB-101      | BULB LOCKING SPRING         | 1           |
|                           |               | 3                                                       | 33110-AAB-A01      | UNIT HEAD LIGHT             | 1           |
|                           |               | 4                                                       | 33112-AAB-000      | RUBBER CAP                  | 1           |
|                           |               | 5                                                       | 33134-AAB-101      | BEZEL ASSY.                 | 1           |
|                           |               | 6                                                       | 33150-AAB-101      | SOCKET ASSY HEAD LIGHT      | 1           |
|                           |               | 7                                                       | 33170-AAB-A01      | FRONT POSITION LAMP ASSY RH | 1           |
|                           |               | 8                                                       | 33180-AAB-A01      | FRONT POSITION LAMP ASSY LH | 1           |
|                           |               | 9                                                       | 34901-KSP-910      | BULB, HEAD LIGHT            | 1           |
|                           |               | 10                                                      | 94050-06000        | NUT, FLANGE, 6 MM           | 4           |
|                           |               | 11                                                      | 93901-AAB-100      | SCREW TAPPING 3.5X13        | 10          |
|                           |               | 12                                                      | 93903-34120        | SCREW TAPPING 4 X 8         | 1           |

**F-1A**  
FAIRING (FR. VISOR/COWL/STAY)





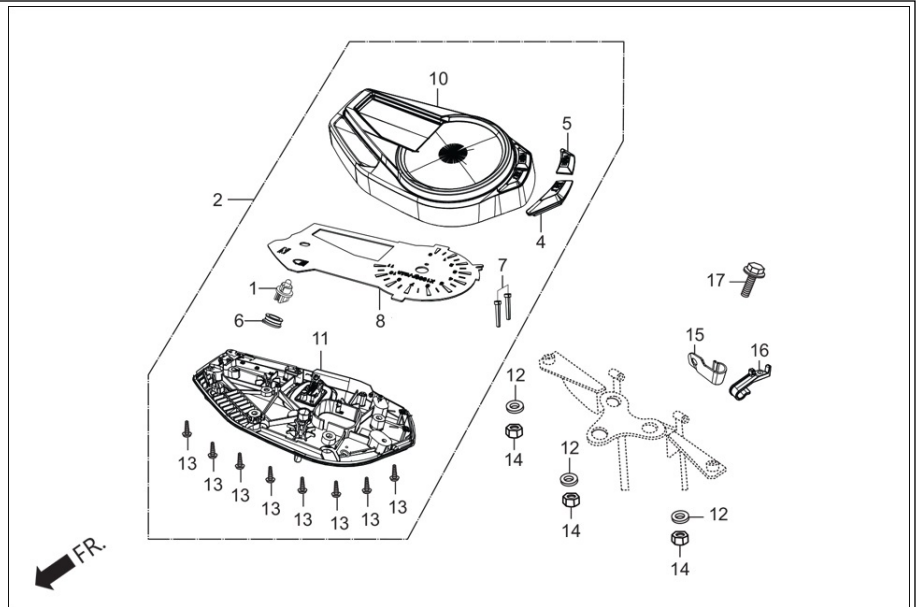
| Service Item           | F.R.T. |
|------------------------|--------|
| * WIND, SCREEN         | 0.2    |
| * COWL, FR             | 0.4    |
| * STAY COMP., FR. COWL | 0.5    |

| Group Number: F-1A Model :: Hunk 200R (Aug, 2018) |                |                                             |      |
|---------------------------------------------------|----------------|---------------------------------------------|------|
| Ref No.                                           | Part Number    | Description                                 | Req. |
| 1                                                 | 53252-AAB-A00  | COVER MAIN SWITCH                           | 1    |
| 2                                                 | 61103-AAB-100  | RUBBER FR COWL MOUNT                        | 2    |
| 3                                                 | 61105-KTC-900  | RUBBER, FRONT FENDER MOUNTING               | 2    |
| 4                                                 | 61301-AAB-A00  | FRONT COWL                                  | 1    |
| 5                                                 | 61311-AAB-A00  | HEADLIGHT SUPPORT BRACKET UPPER             | 1    |
| 6                                                 | 61312-AAB-A00  | HEADLIGHT SUPPORT BRACKET LOWER             | 1    |
| 7                                                 | 61312-KCT-690  | BOOT, HEAD LIGHT STAY                       | 2    |
| 8                                                 | 61322-AAB-C00R | SIDE COVER R FRONT COWL (MAT AXIS GRAY ME.) | 1    |
|                                                   | 61322-AAB-A00S | SIDE COV R FR COWL (BLK, NH-1)              | 1    |
|                                                   | 61322-AAB-A00U | SIDE COV R FR COWL (TBM,BL-002M)            | 1    |
|                                                   | 61322-AAB-A00V | SIDE COV R FR COWL (SRD, R-321)             | 1    |
| 9                                                 | 61323-AAB-C00R | SIDE COVER L FRONT COWL (MAT AXIS GRAY ME.) | 1    |
|                                                   | 61323-AAB-A00S | SIDE COV L FR COWL (BLK, NH-1)              | 1    |
|                                                   | 61323-AAB-A00U | SIDE COV L FR COWL (TBM,BL-002M)            | 1    |
|                                                   | 61323-AAB-A00V | SIDE COV L FR COWL (SRD, R-321)             | 1    |
| 10                                                | 64140-AAB-A00  | SCREEN WIND                                 | 1    |
| 11                                                | 64300-AAB-A000 | COWL, R UNDER                               | 1    |
| 12                                                | 64311-AAB-A00  | STAY UNDER COWL                             | 1    |
| 13                                                | 64315-AAB-A00  | STAY FR NUMBER PLATE                        | 1    |
| 14                                                | 64316-KVN-900  | RUBBER, FR., COWL MT                        | 2    |
| 15                                                | 64400-AAB-A000 | COWL, L UNDER                               | 1    |
| 16                                                | 80101-443-000  | RUBBER, RR. FENDER CUSHION                  | 3    |
| 17                                                | 80112-KVN-900  | RUBBER, RR FENDER                           | 1    |
| 18                                                | 83402-AAB-A00  | PANEL INNER                                 | 1    |
| 19                                                | 90101-GE0-000  | SCREW, HINGE PATCH                          | 4    |
| 20                                                | 90105-KVE-860  | BOLT,SPECIAL 6X22                           | 3    |
| 21                                                | 90109-SB6-000  | SCREW, TRUSS, 5X14                          | 2    |
| 22                                                | 90320-GC3-000  | NUT, SPRING, M5                             | 6    |

|    |                |                         |    |
|----|----------------|-------------------------|----|
| 23 | 91509-GE2-760  | SCREW, WASHER, 5 X 11.5 | 2  |
| 24 | 93903-24380    | SCREW TAPPING, 4 X 12   | 11 |
| 25 | 95701-06012-00 | BOLT, FLANGE, 6X12      | 2  |
| 26 | 95701-06016-07 | BOLT, FLANGE, 6 X 16    | 2  |
| 27 | 95701-06022-07 | BOLT,FLANGE,6 X 22      | 2  |
| 28 | 95701-08020-00 | BOLT, FLANGE, 8X20      | 3  |

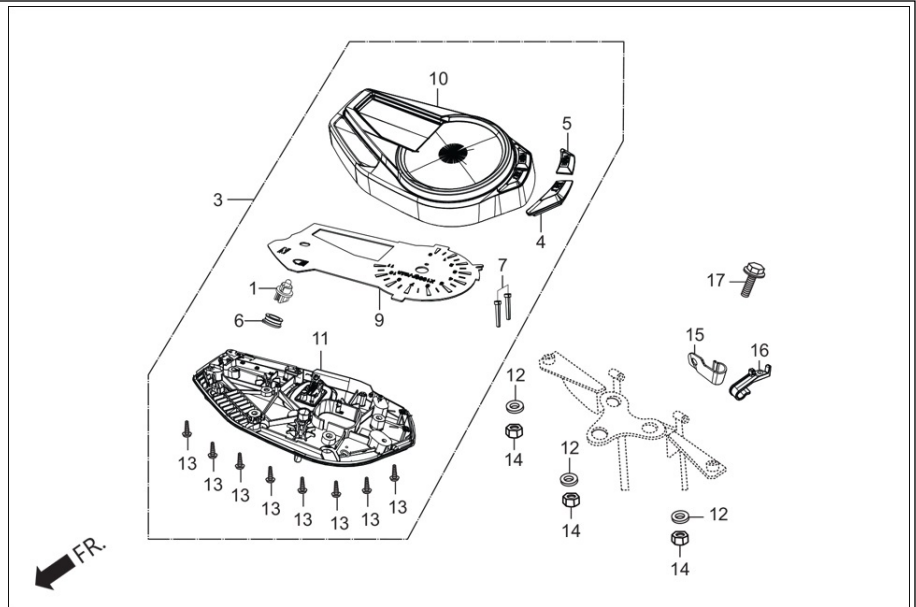
# F-2-ABS

SPEEDOMETER / CABLE



| <b>Service Item</b>        | <b>F.R.T.</b> | <b>Group Number: F-2-ABS Model :: Hunk 200R (Aug. 2018)</b> |                    |                      |             |
|----------------------------|---------------|-------------------------------------------------------------|--------------------|----------------------|-------------|
|                            |               | <b>Ref No.</b>                                              | <b>Part Number</b> | <b>Description</b>   | <b>Req.</b> |
| * METER ASSY., COMB.       | 0.3           | 1                                                           | 33506-AAB-A01      | BULB SOCKET ASSY     | 1           |
| * SPEEDOMETER ASSY         | 0.5           | 2                                                           | 37100-AAB-A01      | METER ASSY COMB      | 1           |
| * TACH. & FUEL METER ASSY  | 0.5           | 4                                                           | 37103-AAB-A01      | SWITCH RUBBER        | 1           |
| * CASE, UNDER ASSY.        | --            | 5                                                           | 37104-AAB-A01      | SWITCH RUBBER        | 1           |
| * CASE, UPPER ASSY         | 0.4           | 6                                                           | 37105-KRJ-901      | CAP                  | 1           |
| * SOCKET COMP.             | --            | 7                                                           | 37202-AAB-A01      | ROD SW EXTENSION     | 2           |
| * CABLE ASSY., SPEEDOMETER | 0.2           | 8                                                           | 37210-AAB-A01      | SPEEDOMETER COMP     | 1           |
|                            |               | 10                                                          | 37211-AAB-A01      | CASE UPPER ASSY      | 1           |
|                            |               | 11                                                          | 37212-AAB-A01      | LOWER CASE ASSY      | 1           |
|                            |               | 12                                                          | 90501-KRY-970      | WASHER, PLAIN, 6X18  | 3           |
|                            |               | 13                                                          | 93903-22480        | SCREW TAPPING 3 X 16 | 8           |
|                            |               | 14                                                          | 94001-06000-0S     | NUT, HEX., 6 MM      | 3           |
|                            |               | 15                                                          | 45164-AAB-A20      | CLAMPER SP SENSOR    | 1           |
|                            |               | 16                                                          | 45165-AAB-A20      | CLAMPER SP SENSOR    | 1           |
|                            |               | 17                                                          | 95701-06012-07     | BOLT, FLANGE, 6X12   | 1           |

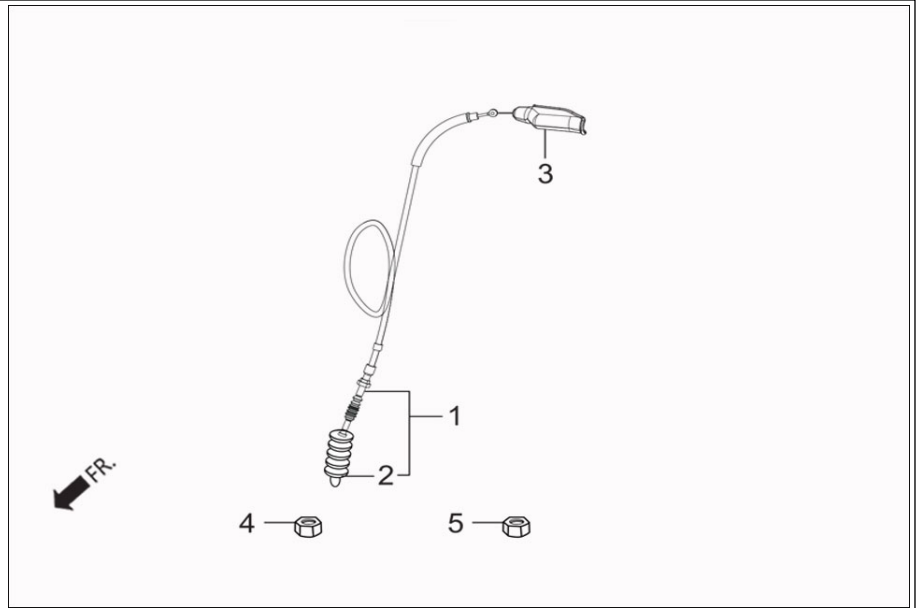
**F-2-WO-ABS**  
SPEEDOMETER / CABLE



| <b>Service Item</b>        | <b>F.R.T.</b> | <b>Group Number: F-2-WO-ABS Model :: Hunk 200R (Aug, 2018)</b> |                    |                      |             |
|----------------------------|---------------|----------------------------------------------------------------|--------------------|----------------------|-------------|
| * METER ASSY., COMB        | 0.3           | <b>Ref No.</b>                                                 | <b>Part Number</b> | <b>Description</b>   | <b>Req.</b> |
| * SPEEDOMETER ASSY         | 0.5           | 1                                                              | 33506-AAB-A01      | BULB SOCKET ASSY     | 1           |
| * TACH. & FUEL METER ASSY  | 0.5           | 3                                                              | 37100-AAB-A21      | METER ASSY COMB      | 1           |
| * CASE, UNDER ASSY         | --            | 4                                                              | 37103-AAB-A01      | SWITCH RUBBER        | 1           |
| * CASE, UPPER ASSY.        | 0.4           | 5                                                              | 37104-AAB-A01      | SWITCH RUBBER        | 1           |
| * SOCKET COMP.             | --            | 6                                                              | 37105-KRJ-901      | CAP                  | 1           |
| * CABLE ASSY., SPEEDOMETER | 0.2           | 7                                                              | 37202-AAB-A01      | ROD SW EXTENSION     | 2           |
|                            |               | 9                                                              | 37210-AAB-A21      | SPEEDOMETER COMP     | 1           |
|                            |               | 10                                                             | 37211-AAB-A01      | CASE UPPER ASSY      | 1           |
|                            |               | 11                                                             | 37212-AAB-A01      | LOWER CASE ASSY      | 1           |
|                            |               | 12                                                             | 90501-KRY-970      | WASHER, PLAIN, 6X18  | 3           |
|                            |               | 13                                                             | 93903-22480        | SCREW TAPPING 3 X 16 | 8           |
|                            |               | 14                                                             | 94001-06000-0S     | NUT, HEX., 6 MM      | 3           |
|                            |               | 15                                                             | 45164-AAB-A20      | CLAMPER SP SENSOR    | 1           |
|                            |               | 16                                                             | 45165-AAB-A20      | CLAMPER SP SENSOR    | 1           |
|                            |               | 17                                                             | 95701-06012-07     | BOLT, FLANGE, 6X12   | 1           |

## F-3

### HANDLE LEVER / SWITCH/CABLES

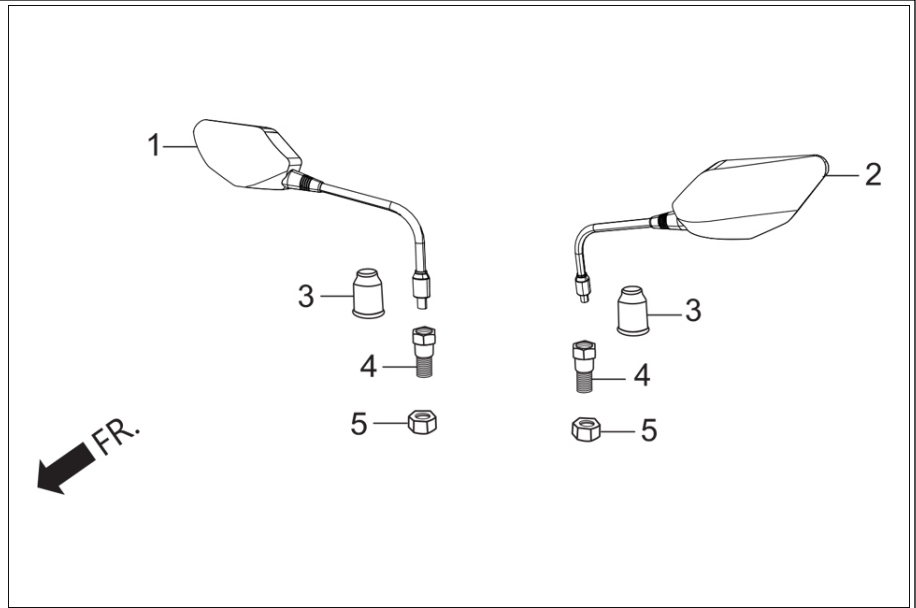


| Service Item              | F.R.T. |
|---------------------------|--------|
| * CABLE COMP., THROTTLE   | 0.3    |
| * CABLE COMP., CLUTCH     | 0.2    |
| * SWITCH ASSY., LIGHTING  | 0.4    |
| * SWITCH ASSY., WINKER.   | 0.5    |
| * SWITCH ASSY., FR. STOP  | 0.1    |
| * GRIP COMP., THROTTLE    | 0.1    |
| * GRIP L. HANDLE          | --     |
| * BRACKET, L HANDLE LEVER | 0.2    |
| * CABLE COMP., CHOKE      | 0.6    |

**Group Number:** F-3 Model :: Hunk 200R (Aug, 2018)

| Ref No. | Part Number    | Description          | Req. |
|---------|----------------|----------------------|------|
| 1       | 22870-AAB-A00  | CABLE COMP CLUTCH    | 1    |
| 2       | 22871-KTN-700  | BOOT, CLUTCH CABLE   | 1    |
| 3       | 53179-KTC-900  | COVER L HANDLE LEVER | 1    |
| 4       | 94002-08000-0S | NUT HEX.8 MM         | 1    |
| 5       | 94030-08000    | NUT, HEX., 8 MM      | 1    |

**F-3A**  
MIRROR ASSY.



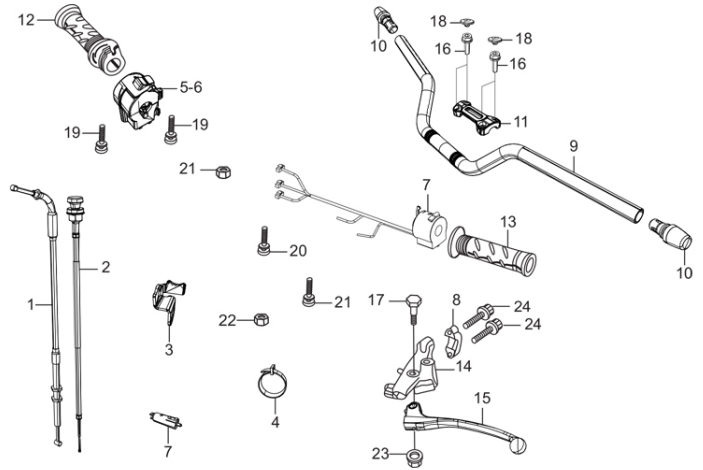
| Service Item              | F.R.T. |
|---------------------------|--------|
| * CABLE COMP., THROTTLE.  | 0.3    |
| * CABLE COMP., CLUTCH     | 0.2    |
| * SWITCH ASSY., LIGHTING  | 0.4    |
| * SWITCH ASSY., WINKER    | 0.5    |
| * SWITCH ASSY., FR. STOP  | 0.1    |
| * GRIP COMP., THROTTLE    | 0.1    |
| * GRIP L. HANDLE          | --     |
| * BRACKET, L HANDLE LEVER | 0.2    |
| * CABLE COMP., CHOKE      | 0.6    |

**Group Number:** F-3A Model :: Hunk 200R (Aug, 2018)

| Ref No. | Part Number    | Description        | Req. |
|---------|----------------|--------------------|------|
| 1       | 88110-AAB-A000 | MIRROR ASSY R BACK | 1    |
| 2       | 88120-AAB-A000 | MIRROR ASSY L BACK | 1    |
| 3       | 88114-198-D10  | CAP, LOCK NUT      | 2    |
| 4       | 90003-MY5-720  | BOLT,ADPT.10MM     | 2    |
| 5       | 90201-MW3-620  | NUT, HEX., 10MM    | 2    |

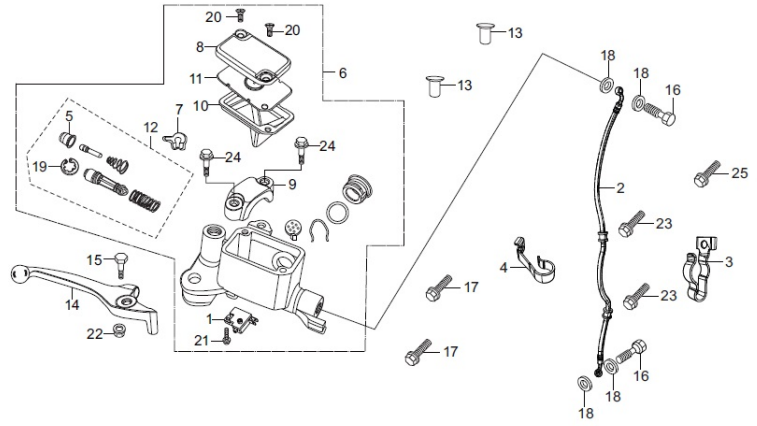


**F-3B**  
HANDLE & HNDL COVER HANDLE LEVER  
/ SWITCH/CABLES)



| <b>Service Item</b>       | <b>F.R.T.</b> | <b>Group Number: F-3B Model :: Hunk 200R (Aug, 2018)</b> |                    |                                |             |
|---------------------------|---------------|----------------------------------------------------------|--------------------|--------------------------------|-------------|
|                           |               | <b>Ref No.</b>                                           | <b>Part Number</b> | <b>Description</b>             | <b>Req.</b> |
| * CABLE COMP., THROTTLE   | 0.3           | 1                                                        | 17910-AAB-A00      | CABLE COMP THROT               | 1           |
| * CABLE COMP., CLUTCH     | 0.2           | 2                                                        | 17950-AAB-A00      | CABLE COMP CHOKE               | 1           |
| * SWITCH ASSY., LIGHTING  | 0.4           | 3                                                        | 17951-AAB-A00      | STAY CHOKE LEVER               | 1           |
| * SWITCH ASSY., WINKER.   | 0.5           | 4                                                        | 32161-404-000      | BAND B-1,WIRE                  | 2           |
| * SWITCH ASSY., FR. STOP  | 0.1           | 5                                                        | 35150-AAB-A01      | SW ASSY ENG ST AND START       | 1           |
| * GRIP COMP., THROTTLE    | 0.1           | 6                                                        | 35200-AAB-A01      | SW ASSY WINKER                 | 1           |
| * GRIP L. HANDLE          | --            | 7                                                        | 35330-413-003      | SW. COMP., FR. LEVER           | 1           |
| * BRACKET, L HANDLE LEVER | 0.2           | 8                                                        | 45517-166-000      | HOLDER, MASTER CYLINDER        | 1           |
| * CABLE COMP., CHOKE      | 0.6           | 9                                                        | 53100-AAB-A00      | PIPE STRG HANDLE               | 1           |
|                           |               | 10                                                       | 53105-KRC-900      | END STRG. HANDLE               | 2           |
|                           |               | 11                                                       | 53131-AAB-A00      | HOLDER HANDLE UP               | 1           |
|                           |               | 12                                                       | 53140-KVE-860      | GRIP COMP THROT                | 1           |
|                           |               | 13                                                       | 53166-KVE-860      | GRIP L HANDLE                  | 1           |
|                           |               | 14                                                       | 53172-KRC-900      | BRACKET, HANDLE LEVER          | 1           |
|                           |               | 15                                                       | 53178-KFN-850      | LEVER COMP., L HANDLE          | 1           |
|                           |               | 16                                                       | 90102-KVN-900      | BOLT, SP. FLANGE SOCKET 6 X 22 | 4           |
|                           |               | 17                                                       | 90113-438-000      | BOLT, HANDLE LEVER PIVOT       | 1           |
|                           |               | 18                                                       | 91455-MG8-000      | CAP, SOC BOLT 6 MM             | 4           |
|                           |               | 19                                                       | 93892-05020-07     | SCREW, WASHER, 5X20            | 2           |
|                           |               | 20                                                       | 93892-05025-07     | SCREW, WASHER, 5X25            | 1           |
|                           |               | 21                                                       | 93892-05045-07     | SCREW, WASHER, 5X45            | 1           |
|                           |               | 22                                                       | 94002-06000-0S     | NUT, HEX 6MM                   | 1           |
|                           |               | 23                                                       | 94050-06000        | NUT, FLANGE, 6 MM              | 1           |
|                           |               | 24                                                       | 96001-06022-07     | BOLT, FLANGE, SH.6X22          | 2           |

**F-4-WO-ABS**  
FRONT BRAKE (MASTER CYLINDER) (W/O  
ABS)



← FR.

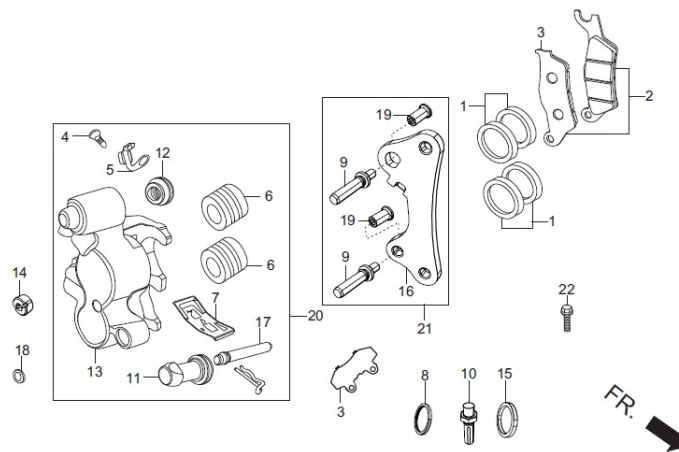
| <b>Service Item</b>        | <b>F.R.T.</b> | <b>Group Number: F-4-WO-ABS Model :: Hunk 200R (Aug, 2018)</b> |                    |                            |             |
|----------------------------|---------------|----------------------------------------------------------------|--------------------|----------------------------|-------------|
|                            |               | <b>Ref No.</b>                                                 | <b>Part Number</b> | <b>Description</b>         | <b>Req.</b> |
| * DIAPHRAGM.               | 0.1           | 1                                                              | 35340-MA5-670L     | SW. ASSY. FR. STOP         | 1           |
| * LEVER, R STEERING HANDLE | --            | 2                                                              | 45126-AAB-A20      | HOSE COMP FRONT BRAKE      | 1           |
| * SWITCH ASSY. FR. STOP    | 0.1           | 3                                                              | 45155-AAB-A00      | CLAMPER A FR BRAKE         | 1           |
| * M/C, SUB ASSY, FR. BRK   | 0.4           | 4                                                              | 45156-AAB-A20      | CLAMPER BRAKE HOSE FR      | 1           |
| * HOSE COMP. FR. BRK       | --            | 5                                                              | 45504-410-003L     | BOOT COMP.                 | 1           |
|                            |               | 6                                                              | 45510-KRY-972      | M/C SUB ASSY., FRONT BRAKE | 1           |
|                            |               | 7                                                              | 45512-MA6-006      | PROTECTOR                  | 1           |
|                            |               | 8                                                              | 45513-HA2-006L     | CAP M/C                    | 1           |
|                            |               | 9                                                              | 45517-166-000      | HOLDER, MASTER CYLINDER    | 1           |
|                            |               | 10                                                             | 45520-GE2-006      | DIAPHRAGM                  | 1           |
|                            |               | 11                                                             | 45521-K21-901      | PLATE, DIAPHRAGM           | 1           |
|                            |               | 12                                                             | 45530-471-831L     | CYLINDER SET MASTER        | 1           |
|                            |               | 13                                                             | 53174-116-670      | PLUG HANDLE LEVER          | 2           |
|                            |               | 14                                                             | 53175-KFN-850L     | LEVER, RIGHT STRG. HANDLE  | 1           |
|                            |               | 15                                                             | 90114-166-000L     | BOLT HANDLE LEVER          | 1           |
|                            |               | 16                                                             | 90145-MS9-610      | OIL BOLT, 10 X 22          | 2           |
|                            |               | 17                                                             | 90155-KY4-900      | BOLT, FLANGE, 8 X 25       | 2           |
|                            |               | 18                                                             | 90545-300-000      | WASHER ,OIL BOLT           | 4           |
|                            |               | 19                                                             | 90651-MA5-671L     | CIRCLIP                    | 1           |
|                            |               | 20                                                             | 93600-04012-1GL    | SCREW FLAT 4X12            | 2           |
|                            |               | 21                                                             | 93893-04012-17     | SCREW, WASHER, 4X12        | 1           |
|                            |               | 22                                                             | 94050-06000        | NUT, FLANGE, 6 MM          | 1           |
|                            |               | 23                                                             | 95701-06012-07     | BOLT, FLANGE, 6X12         | 2           |
|                            |               | 24                                                             | 96001-06022-07     | BOLT, FLANGE, SH.6X22      | 2           |
|                            |               | 25                                                             | 95701-06020-00     | BOLT, FLANGE, 6X20         | 1           |



| <b>Service Item</b>        | <b>F.R.T.</b> | <b>Group Number: F-4A-ABS Model :: Hunk 200R (Aug, 2018)</b> |                    |                                  |             |
|----------------------------|---------------|--------------------------------------------------------------|--------------------|----------------------------------|-------------|
|                            |               | <b>Ref No.</b>                                               | <b>Part Number</b> | <b>Description</b>               | <b>Req.</b> |
| * DIAPHRAGM.               | 0.1           | 1                                                            | 19052-AAB-A00      | COLLAR ABS UNIT MOUNTING         | 3           |
| * LEVER, R STEERING HANDLE | --            | 2                                                            | 35340-MA5-670L     | SW. ASSY. FR. STOP               | 1           |
| * SWITCH ASSY. FR. STOP    | 0.1           | 3                                                            | 38520-AAB-A00      | SENSOR FRONT WHEEL SPEED         | 1           |
| * M/C, SUB ASSY, FR. BRK   | 0.4           | 4                                                            | 43301-AAB-A00      | CLIP BRAKE LINE                  | 2           |
| * HOSE COMP. FR. BRK       | --            | 5                                                            | 45126-AAB-A00      | BRK HOSE ASSY HECU TO CALIPER FR | 1           |
|                            |               | 6                                                            | 45128-AAB-A00      | BRK HOSE ASSY FR M/C TO HECU     | 1           |
|                            |               | 7                                                            | 45155-AAB-A00      | CLAMPER A FR BRAKE               | 1           |
|                            |               | 8                                                            | 45156-AAB-A00      | CLAMPER B FR BRAKE HOSE          | 1           |
|                            |               | 9                                                            | 45504-410-003L     | BOOT COMP.                       | 1           |
|                            |               | 10                                                           | 45510-KRY-972      | M/C SUB ASSY., FRONT BRAKE       | 1           |
|                            |               | 11                                                           | 45512-MA6-006      | PROTECTOR                        | 1           |
|                            |               | 12                                                           | 45513-HA2-006L     | CAP M/C                          | 1           |
|                            |               | 13                                                           | 45517-166-000      | HOLDER, MASTER CYLINDER          | 1           |
|                            |               | 14                                                           | 45520-GE2-006      | DIAPHRAGM                        | 1           |
|                            |               | 15                                                           | 45521-K21-901      | PLATE, DIAPHRAGM                 | 1           |
|                            |               | 16                                                           | 45530-471-831L     | CYLINDER SET MASTER              | 1           |
|                            |               | 17                                                           | 50207-AAB-A00      | MT UPPER BRKT ABS CONTROL UNIT   | 1           |
|                            |               | 18                                                           | 53175-KFN-850L     | LEVER, RIGHT STRG. HANDLE        | 1           |
|                            |               | 19                                                           | 57111-AAB-A00      | HECU MINI MAB                    | 1           |
|                            |               | 20                                                           | 83545-AAB-A00      | RUBBER ABS UNIT MOUNTING         | 3           |
|                            |               | 21                                                           | 90042-AAB-A00      | BANJO BOLT M10X1                 | 2           |
|                            |               | 22                                                           | 90114-166-000L     | BOLT HANDLE LEVER                | 1           |
|                            |               | 23                                                           | 90145-MS9-610      | OIL BOLT, 10 X 22                | 2           |
|                            |               | 24                                                           | 90155-KY4-900      | BOLT, FLANGE, 8 X 25             | 2           |
|                            |               | 25                                                           | 90545-300-000      | WASHER ,OIL BOLT                 | 8           |
|                            |               | 26                                                           | 90651-MA5-671L     | CIRCLIP                          | 1           |
|                            |               | 27                                                           | 93600-04012-1GL    | SCREW FLAT 4X12                  | 2           |
|                            |               | 28                                                           | 93891-05008-00     | SCREW WASH 5X8                   | 4           |

|    |                |                       |   |
|----|----------------|-----------------------|---|
| 29 | 93893-04012-17 | SCREW, WASHER, 4X12   | 1 |
| 30 | 94050-06000    | NUT, FLANGE, 6 MM     | 1 |
| 31 | 95701-06012-07 | BOLT, FLANGE, 6X12    | 2 |
| 32 | 95701-06020-07 | BOLT, FLANGE, 6 X 20  | 4 |
| 33 | 96001-06022-07 | BOLT, FLANGE, SH.6X22 | 2 |
| 34 | 95701-06020-00 | BOLT, FLANGE, 6X20    | 1 |
| 35 | 95701-06018-00 | BOLT FLANGE 6X18      | 3 |
| 36 | 90652-AAW-300  | CABLE TIE             | 2 |

**F-4B**  
FRONT BRAKE (CALIPER ASSY 'R' FR.)

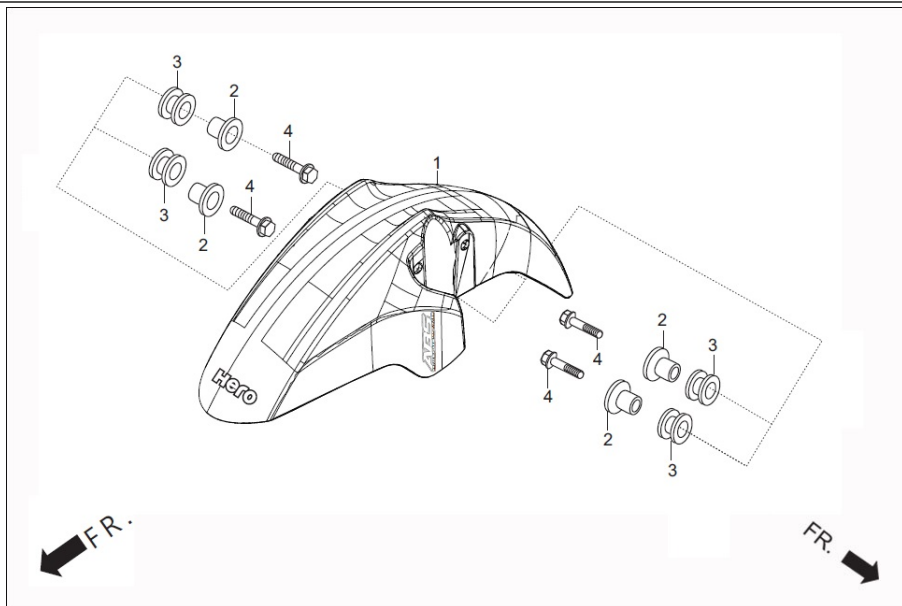




| <b>Service Item</b>     | <b>F.R.T.</b> | <b>Group Number: F-4B Model :: Hunk 200R (Aug, 2018)</b> |                    |                            |             |
|-------------------------|---------------|----------------------------------------------------------|--------------------|----------------------------|-------------|
|                         |               | <b>Ref No.</b>                                           | <b>Part Number</b> | <b>Description</b>         | <b>Req.</b> |
| * PAD SET, FRONT        | 0.2           | 1                                                        | 06451-GE2-405L     | SEAL SET PISTON            | 2           |
| * PISTON, 26            | 0.5           | 2                                                        | 06455-GCR-016L     | PAD SET FRONT              | 1           |
| (ADD. FOR EACH)         | --            | 3                                                        | 43114-KW6-842L     | SHIM B                     | 1           |
| (INC. RELATIVE PART)    | --            | 4                                                        | 43352-568-003L     | SCREW BLEEDER              | 1           |
| * CALIPER ASSY., R. FR. | 0.4           | 5                                                        | 43353-461-771L     | CAP BLEEDER                | 1           |
|                         |               | 6                                                        | 45107-MN5-006L     | PISTON                     | 2           |
|                         |               | 7                                                        | 45108-ML4-006L     | PAD SPRING                 | 1           |
|                         |               | 8                                                        | 45109-GE2-006L     | DUST SEAL                  | 2           |
|                         |               | 9                                                        | 45131-GE2-006L     | PIN BOLT A                 | 2           |
|                         |               | 10                                                       | 45131-GZ0-006L     | PIN BOLT                   | 1           |
|                         |               | 11                                                       | 45132-166-016L     | BUSH BOOT PIN              | 1           |
|                         |               | 12                                                       | 45133-MA3-006L     | BOOT B                     | 1           |
|                         |               | 13                                                       | 45201-GT4-691L     | BODY CALIPER FR.           | 1           |
|                         |               | 14                                                       | 45203-MG3-016L     | PLUG PIN                   | 2           |
|                         |               | 15                                                       | 45209-GE2-006L     | SEAL PISTON                | 2           |
|                         |               | 16                                                       | 45210-KR3-871L     | BRACKET RIGHT              | 2           |
|                         |               | 17                                                       | 45215-KA3-732L     | PIN HANGER                 | 2           |
|                         |               | 18                                                       | 45216-166-006L     | WASHER WAVE                | 1           |
|                         |               | 19                                                       | 45216-KW6-901L     | TORQUE NUT                 | 2           |
|                         |               | 20                                                       | 45250-KRY-901      | CALIPER SUB ASSY., R FR    | 1           |
|                         |               | 21                                                       | 45290-KGB-611L     | BRKT.SUB ASSY.R FR.CALIPER | 1           |
|                         |               | 22                                                       | 95701-06020-00     | BOLT, FLANGE, 6X20         | 1           |

## F-5

### FRONT FENDER (ABS)

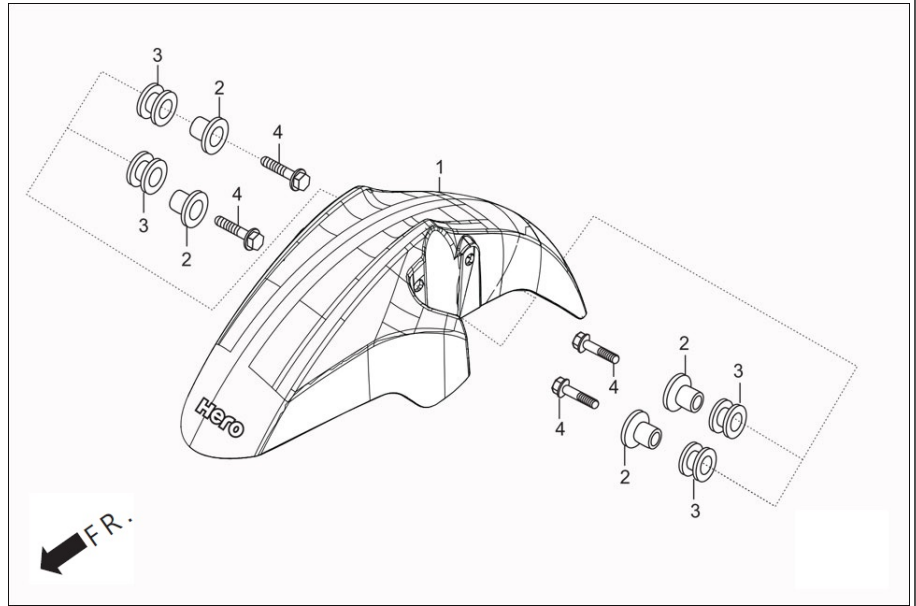


| Service Item  | F.R.T. |
|---------------|--------|
| *FENDER FRONT | 0.3    |

**Group Number:** F-5 Model :: Hunk 200R (Aug, 2018)

| Ref No. | Part Number    | Description                           | Req. |
|---------|----------------|---------------------------------------|------|
| 1       | 61000-ABF-100T | SET, FENDER FRONT (MAT AXIS GRAY ME.) | 1    |
|         | 61000-ABF-100S | SET, FENDER FRONT (BLACK NH-1)        | 1    |
|         | 61000-AAB-A00U | SET FENDER FRONT (TBM,BL-002M)        | 1    |
|         | 61000-AAB-A00V | SET FENDER FRONT (SRD, R-321)         | 1    |
| 2       | 61103-KRY-900  | COLLAR, A FR.FENDER                   | 4    |
| 3       | 61105-KTC-900  | RUBBER, FRONT FENDER MOUNTING         | 4    |
| 4       | 95701-06022-00 | BOLT, FLANGE, SH. 6 X 22              | 4    |

**F-5A**  
FRONT FENDER (W/O ABS)

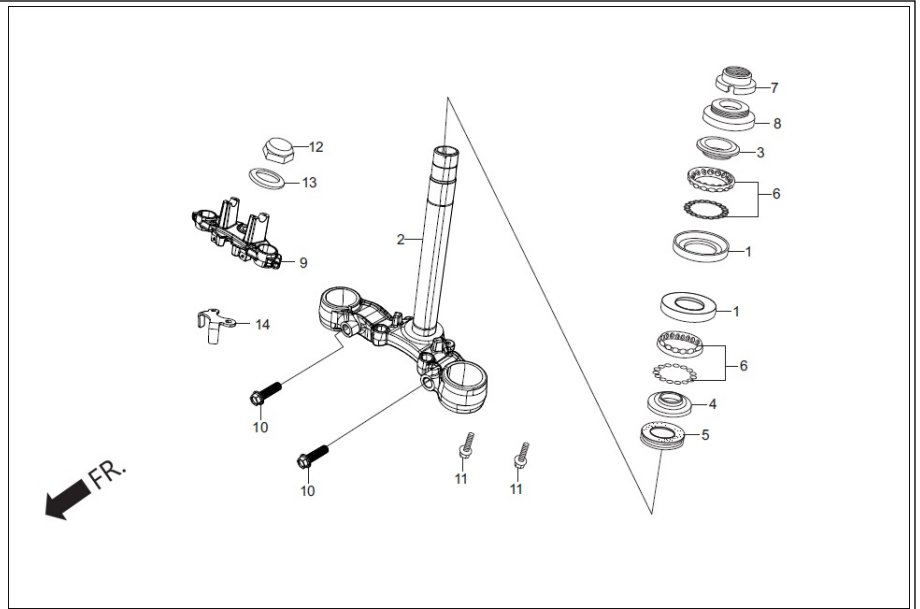


| Service Item  | F.R.T. |
|---------------|--------|
| *FENDER FRONT | 0.3    |

**Group Number: F-5A Model :: Hunk 200R (Aug, 2018)**

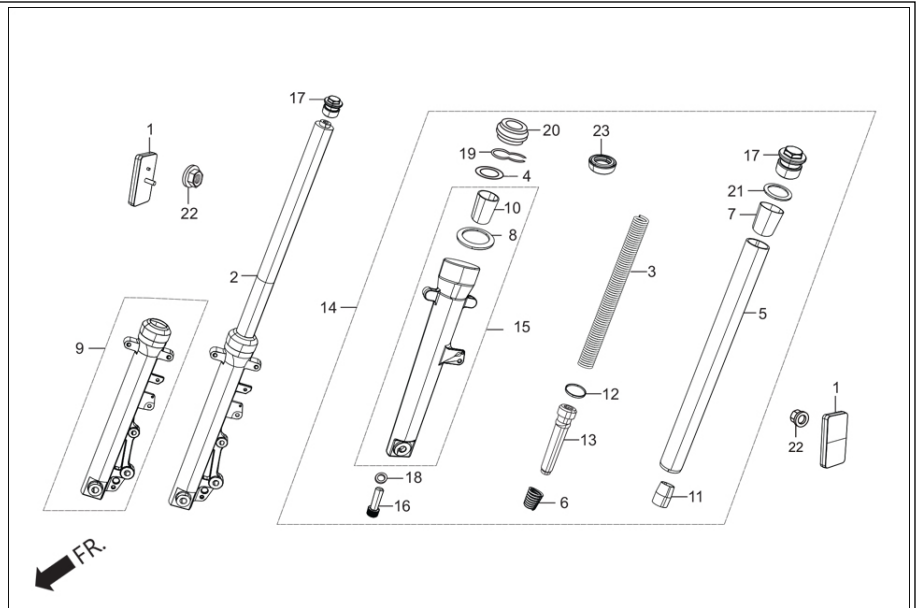
| Ref No. | Part Number    | Description                           | Req. |
|---------|----------------|---------------------------------------|------|
| 1       | 61000-ABF-120S | SET, FENDER FRONT (BLACK NH-1)        | 1    |
|         | 61000-ABF-120T | SET, FENDER FRONT (MAT AXIS GRAY ME.) | 1    |
|         | 61000-AAB-A10U | SET FENDER FRONT (TBM,BL-002M)        | 1    |
|         | 61000-AAB-A10V | SET FENDER FRONT (SRD, R-321)         | 1    |
| 2       | 61103-KRY-900  | COLLAR, A FR.FENDER                   | 4    |
| 3       | 61105-KTC-900  | RUBBER, FRONT FENDER MOUNTING         | 4    |
| 4       | 95701-06022-00 | BOLT, FLANGE, SH. 6 X 22              | 4    |

**F-6**  
FRONT CUSHION (STEERING STEM)



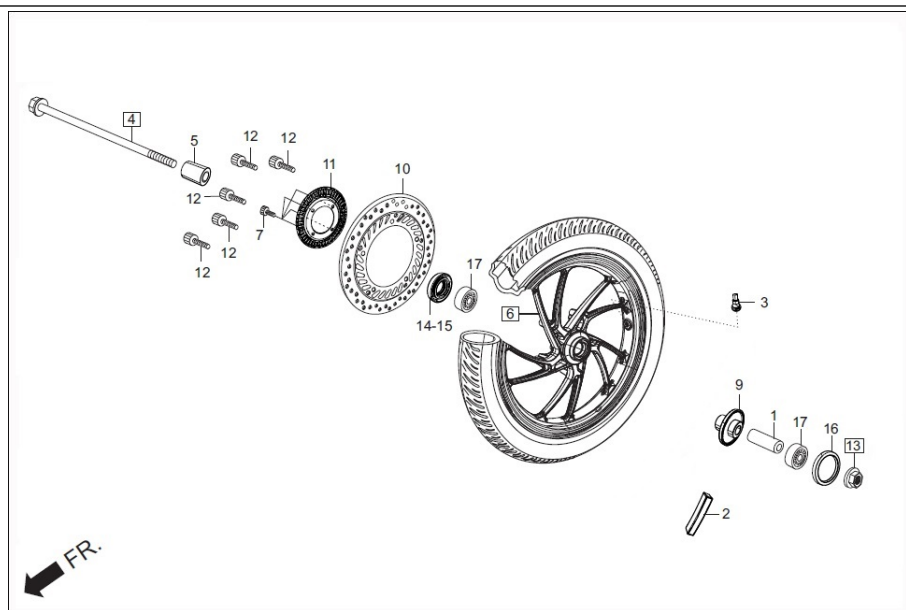
| <b>Service Item</b>                               | <b>F.R.T.</b> | <b>Group Number: F-6 Model :: Hunk 200R (Aug, 2018)</b> |                    |                              |             |
|---------------------------------------------------|---------------|---------------------------------------------------------|--------------------|------------------------------|-------------|
|                                                   |               | <b>Ref No.</b>                                          | <b>Part Number</b> | <b>Description</b>           | <b>Req.</b> |
| *RACE, STEERING BALL<br>(SAME TIME FOR TWO UNITS) | 1.0<br>--     | 1                                                       | 50301-KTR-900      | RACE, STEERING BALL          | 2           |
| *STEM COMP., STEERING                             | 1.1           | 2                                                       | 53200-AAB-A00      | STEM COMP STEERING           | 1           |
| *RACE, STEERING TOP CONE                          | 0.6           | 3                                                       | 53211-268-010      | RACE, STEERING TOP CONE      | 1           |
| *THREAD, STRG. TOP                                | --            | 4                                                       | 53212-200-000      | RACE, STEERING BOTTOM CONE   | 1           |
|                                                   |               | 5                                                       | 53214-200-000      | DUST SEAL, STEERING HEAD     | 1           |
|                                                   |               | 6                                                       | 53215-KTR-900      | BALL, ASSY. STEERING         | 2           |
|                                                   |               | 7                                                       | 53220-KRY-970      | THREAD COMP STRG TOP.        | 1           |
|                                                   |               | 8                                                       | 53222-KTR-900      | MUD GUARD, STEERING HEAD TOP | 1           |
|                                                   |               | 9                                                       | 53230-AAB-A00      | BRIDGE FORK TOP              | 1           |
|                                                   |               | 10                                                      | 90001-AAB-A00      | BOLT FLANGE 10X35            | 2           |
|                                                   |               | 11                                                      | 90002-AAB-A00      | BOLT FLANGE 10X40            | 2           |
|                                                   |               | 12                                                      | 90304-KSP-900      | NUT, STEERING STEM           | 1           |
|                                                   |               | 13                                                      | 90503-KTR-900      | WASHER, STEERING STEM        | 1           |
|                                                   |               | 14                                                      | 35106-KTC-900      | COVER, COMB. SWITCH          | 1           |

**F-6A**  
FRONT CUSHION



| <b>Service Item</b>                           | <b>F.R.T.</b> | <b>Group Number: F-6A Model :: Hunk 200R (Aug, 2018)</b> |                    |                             |             |
|-----------------------------------------------|---------------|----------------------------------------------------------|--------------------|-----------------------------|-------------|
| * FORK ASSY., L. FR.<br>(ADD FOR EACH)        | 0.4<br>--     | <b>Ref No.</b>                                           | <b>Part Number</b> | <b>Description</b>          | <b>Req.</b> |
|                                               |               | 1                                                        | 33740-AAB-000      | REFLEX REFLECTOR FRONT      | 2           |
| * FORK ASSY., R.                              | --            | 2                                                        | 51400-AAB-A02      | FORK ASSY R FRONT           | 1           |
| * SPRING, FR. FORK<br>(ADD FOR EACH)          | 0.6<br>--     | 3                                                        | 51401-AAB-A02      | SPRING FR FORK              | 2           |
|                                               |               | 4                                                        | 51403-AAB-A02      | JOINT SPRING (PLAIN WASHER) | 2           |
| * PIPE COMP., FR. FORK<br>(ADD FOR EACH)      | 0.7<br>--     | 5                                                        | 51410-AAB-A02      | PIPE COMP FR FORK           | 2           |
|                                               |               | 6                                                        | 51412-AAB-A02      | SPRING REBOUND              | 2           |
| * CASE COMP., L. FR. BOTTOM<br>(ADD FOR EACH) | 0.8<br>--     | 7                                                        | 51413-AAB-A02      | SPACER TUBE COLLAR SPRING   | 2           |
|                                               |               | 8                                                        | 51419-AAB-A02      | RING BACKUP (PLAIN WASHER)  | 2           |
| * CASE COMP., R. FR. BOTTOM<br>(ADD FOR EACH) | --<br>--      | 9                                                        | 51420-AAB-A02      | CASE COMP R FR BOTTOM       | 1           |
|                                               |               | 10                                                       | 51423-AAB-A02      | SLIDE BUSH                  | 2           |
|                                               |               | 11                                                       | 51432-AAB-A02      | PIECE OIL LOCK              | 2           |
|                                               |               | 12                                                       | 51437-AAB-A02      | RING PISTON                 | 2           |
|                                               |               | 13                                                       | 51440-AAB-A02      | PIPE SEAT                   | 2           |
|                                               |               | 14                                                       | 51500-AAB-A02      | FORK ASSY L FRONT           | 1           |
|                                               |               | 15                                                       | 51520-AAB-A02      | CASE COMP L FR BOTTOM       | 1           |
|                                               |               | 16                                                       | 90116-AAB-A02      | BOLT SOCKET                 | 2           |
|                                               |               | 17                                                       | 90123-AAB-A02      | BOLT FR FORK                | 2           |
|                                               |               | 18                                                       | 90544-AAB-A02      | WASHER SPECIAL              | 2           |
|                                               |               | 19                                                       | 90601-AAB-A02      | RING OIL SEAL STOP          | 2           |
|                                               |               | 20                                                       | 91254-AAB-A02      | SEAL DUST                   | 2           |
|                                               |               | 21                                                       | 91356-AAB-A02      | O RING                      | 2           |
|                                               |               | 22                                                       | 94050-06000        | NUT, FLANGE, 6 MM           | 2           |
|                                               |               | 23                                                       | 91255-AAB-A02      | SEAL OIL                    | 2           |

**F-7-ABS**  
FRONT WHEEL

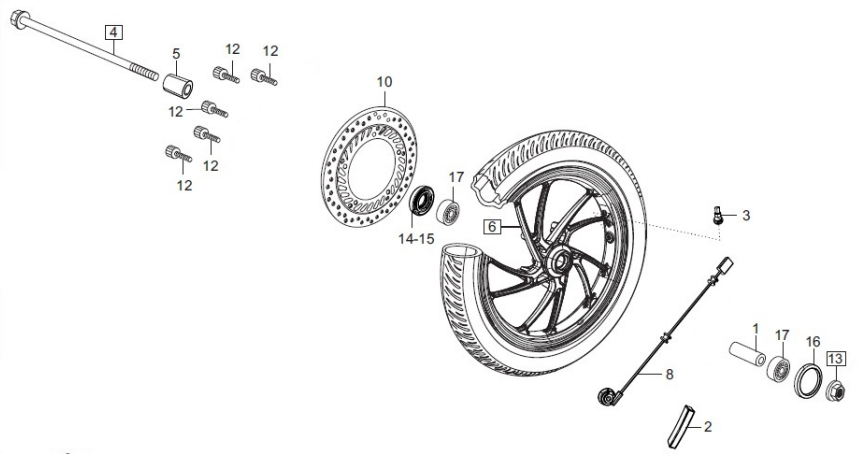




| <b>Service Item</b>         | <b>F.R.T.</b> | <b>Group Number: F-7-ABS Model :: Hunk 200R (Aug, 2018)</b> |                    |                             |             |
|-----------------------------|---------------|-------------------------------------------------------------|--------------------|-----------------------------|-------------|
| * AXLE, FR. WHEEL           | 0.3           | <b>Ref No.</b>                                              | <b>Part Number</b> | <b>Description</b>          | <b>Req.</b> |
| * GEAR BOX ASSY., SPDMT     | --            | 1                                                           | 42620-KTR-700      | COLLAR, REAR AXLE DISTANCE  | 1           |
| * TUBE, TYRE                | 0.9           | 2                                                           | 42703-AAB-A00      | WEIGHT BALANCE 5            | 1           |
| * TYRE, FR.                 | --            |                                                             | 42704-AAB-A00      | WEIGHT BALANCE 10           | 1           |
| * COLLAR, FR. AXLE DISTANCE | 0.4           |                                                             | 42705-AAB-A00      | WEIGHT BALANCE 20           | 1           |
| * DISC, FR. BRAKE           | --            |                                                             | 42707-AAB-A00      | WEIGHT BALANCE 15           | 1           |
| * BEARING, RADIAL BALL      | --            | 3                                                           | 42753-KWF-90099    | RIM VALVE                   | 1           |
| (ADD. FOR EACH)             | --            | 4                                                           | 44301-AAB-A00      | AXLE FR WHEEL               | 1           |
| * WHEEL FRONT               | --            | 5                                                           | 44311-KPL-900      | COLLAR, FR. WHEEL SIDE      | 1           |
|                             |               | 6                                                           | 44601-AAB-A00      | WHEEL COMP FRONT            | 1           |
|                             |               | 7                                                           | 96600-05012-18     | BOLT SOCKET 5X12            | 4           |
|                             |               | 9                                                           | 44802-AAB-A00      | SLEEVE FR WHEEL (LH)        | 1           |
|                             |               | 10                                                          | 45251-KRY-971      | DISK, FR BRAKE              | 1           |
|                             |               | 11                                                          | 45252-AAB-A00      | SENSOR RING FR DISC         | 1           |
|                             |               | 12                                                          | 90105-KL8-741      | BOLT, FR.DISK, 8 X 24       | 5           |
|                             |               | 13                                                          | 90306-KST-942      | NUT, CASTLE, 12 MM          | 1           |
|                             |               |                                                             | 90306-KTE-911      | NUT, CASTLE, 12 MM          | 1           |
|                             |               | 14                                                          | 90755-229-000      | OIL SEAL, 21 X 37 X 7       | 1           |
|                             |               | 15                                                          | 91251-KPH-901      | DUST SEAL, 21 X 37 X 7      | 1           |
|                             |               | 16                                                          | 91258-KWC-901      | DUST SEAL, 40X50X5          | 1           |
|                             |               | 17                                                          | 96140-63010-10     | BEARING, RADIAL BALL, 6301U | 2           |

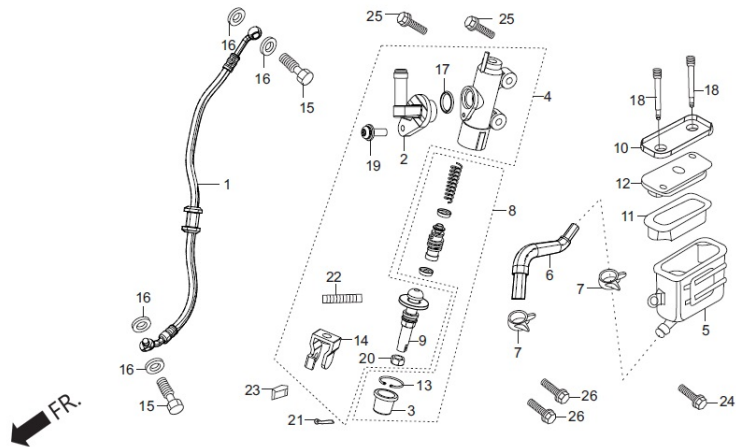
**F-7-WO-ABS**  
FRONT WHEEL

FR. 



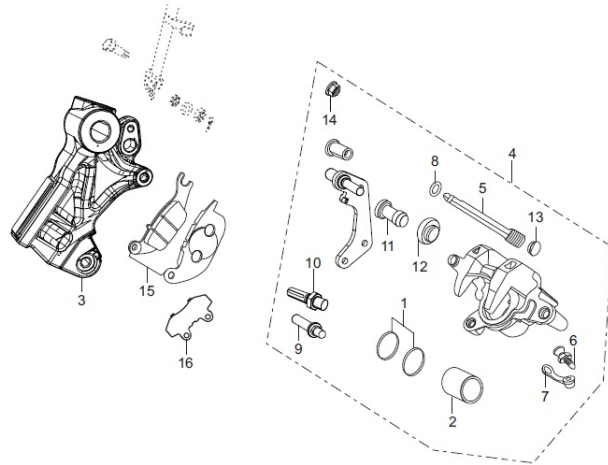
| <b>Service Item</b>         | <b>F.R.T.</b> | <b>Group Number: F-7-WO-ABS Model :: Hunk 200R (Aug, 2018)</b> |                    |                             |             |
|-----------------------------|---------------|----------------------------------------------------------------|--------------------|-----------------------------|-------------|
|                             |               | <b>Ref No.</b>                                                 | <b>Part Number</b> | <b>Description</b>          | <b>Req.</b> |
| * AXLE, FR. WHEEL           | 0.3           | 1                                                              | 42620-KTR-700      | COLLAR, REAR AXLE DISTANCE  | 1           |
| * GEAR BOX ASSY., SPDMT     | --            | 2                                                              | 42703-AAB-A00      | WEIGHT BALANCE 5            | 1           |
| * TUBE, TYRE                | 0.9           |                                                                | 42704-AAB-A00      | WEIGHT BALANCE 10           | 1           |
| * TYRE, FR.                 | --            |                                                                | 42705-AAB-A00      | WEIGHT BALANCE 20           | 1           |
| * COLLAR, FR. AXLE DISTANCE | 0.4           |                                                                | 42707-AAB-A00      | WEIGHT BALANCE 15           | 1           |
| * DISC, FR. BRAKE           | --            | 3                                                              | 42753-KWF-90099    | RIM VALVE                   | 1           |
| * BEARING, RADIAL BALL      | --            | 4                                                              | 44301-AAB-A00      | AXLE FR WHEEL               | 1           |
| (ADD. FOR EACH)             | --            | 5                                                              | 44311-KPL-900      | COLLAR, FR. WHEEL SIDE      | 1           |
| * WHEEL FRONT               | --            | 6                                                              | 44601-AAB-A20      | WHEEL COMP FRONT            | 1           |
|                             |               | 8                                                              | 44800-AAB-A21      | SENSOR ASSY SPEED           | 1           |
|                             |               | 10                                                             | 45251-KRY-971      | DISK, FR BRAKE              | 1           |
|                             |               | 12                                                             | 90105-KL8-741      | BOLT, FR.DISK, 8 X 24       | 5           |
|                             |               | 13                                                             | 90306-KST-942      | NUT, CASTLE, 12 MM          | 1           |
|                             |               |                                                                | 90306-KTE-911      | NUT, CASTLE, 12 MM          | 1           |
|                             |               | 14                                                             | 90755-229-000      | OIL SEAL, 21 X 37 X 7       | 1           |
|                             |               | 15                                                             | 91251-KPH-901      | DUST SEAL, 21 X 37 X 7      | 1           |
|                             |               | 16                                                             | 91258-KWC-901      | DUST SEAL, 40X50X5          | 1           |
|                             |               | 17                                                             | 96140-63010-10     | BEARING, RADIAL BALL, 6301U | 2           |

**F-8**  
REAR BRAKE (MASTER CYL.)



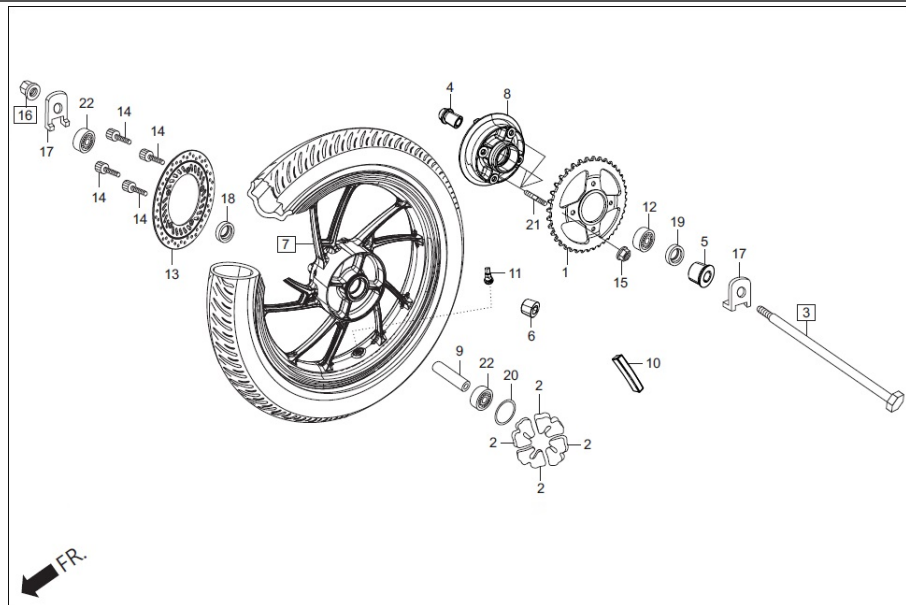
| <b>Service Item</b>                  | <b>F.R.T.</b> | <b>Group Number: F-8 Model :: Hunk 200R (Aug, 2018)</b> |                    |                      |             |
|--------------------------------------|---------------|---------------------------------------------------------|--------------------|----------------------|-------------|
|                                      |               | <b>Ref No.</b>                                          | <b>Part Number</b> | <b>Description</b>   | <b>Req.</b> |
| * REAR BRAKE MASTER CYL              | 0.1           | 1                                                       | 43310-AAB-A00      | HOSE COMP RR BRAKE   | 1           |
| * DIAPHRAGM.                         | --            | 2                                                       | 43503-MEE-006      | CONNECTOR            | 1           |
| * HOSE COMP., REAR BRAKE             | 0.4           | 3                                                       | 43504-MB2-006      | BOOT COMP.           | 1           |
| * CYL. SUB ASSY., REAR BRAKE MASTER. | --            | 4                                                       | 43510-KRY-971      | M/C SUB ASSY REAR    | 1           |
| * CYLINDER SET, MASTER               | --            | 5                                                       | 43511-KW7-881      | OIL CUP COMP.        | 1           |
|                                      |               | 6                                                       | 43512-AAB-A00      | HOSE COMP RR M/C     | 1           |
|                                      |               | 7                                                       | 43514-KS6-701      | CLAMP. M/C OIL HOSE  | 2           |
|                                      |               | 8                                                       | 43520-MJ6-315      | PISTON SET M/C       | 1           |
|                                      |               | 9                                                       | 43530-MV9-006      | PUSH ROD COMP.       | 1           |
|                                      |               | 10                                                      | 45513-GW0-911      | CAP M/C              | 1           |
|                                      |               | 11                                                      | 45520-GW0-911      | DIAPHRAGM            | 1           |
|                                      |               | 12                                                      | 45521-GW0-911      | PLATE DIAPHRAGM      | 1           |
|                                      |               | 13                                                      | 46182-MEL-D21      | CIRCLIP              | 1           |
|                                      |               | 14                                                      | 46504-KV6-702      | JOINT BRK ROD        | 1           |
|                                      |               | 15                                                      | 90145-MS9-610      | OIL BOLT, 10 X 22    | 2           |
|                                      |               | 16                                                      | 90545-300-000      | WASHER ,OIL BOLT     | 4           |
|                                      |               | 17                                                      | 91212-422-006      | O RING               | 1           |
|                                      |               | 18                                                      | 93600-04045-1G     | SCREW FLAT 4X45      | 2           |
|                                      |               | 19                                                      | 93893-04012-17     | SCREW, WASHER, 4X12  | 1           |
|                                      |               | 20                                                      | 94002-08000-0S     | NUT HEX.8 MM         | 1           |
|                                      |               | 21                                                      | 94201-20150        | PIN, SPLIT, 2.0 X 15 | 1           |
|                                      |               | 22                                                      | 94305-20102        | PIN SPRING 2X10      | 1           |
|                                      |               | 23                                                      | 95015-54000        | PIN D JOINT          | 1           |
|                                      |               | 24                                                      | 95701-06020-07     | BOLT, FLANGE, 6 X 20 | 1           |
|                                      |               | 25                                                      | 95701-06022-08     | BOLT FLANGE, 6 X 22  | 2           |
|                                      |               | 26                                                      | 95701-06020-00     | BOLT, FLANGE, 6X20   | 2           |

**F-8A**  
REAR BRAKE (CALIPER ASSY. REAR)



| <b>Service Item</b>                  | <b>F.R.T.</b> | <b>Group Number: F-8A Model :: Hunk 200R (Aug, 2018)</b> |                    |                     |             |
|--------------------------------------|---------------|----------------------------------------------------------|--------------------|---------------------|-------------|
|                                      |               | <b>Ref No.</b>                                           | <b>Part Number</b> | <b>Description</b>  | <b>Req.</b> |
| * REAR BRAKE MASTER CYL              | 0.1           | 1                                                        | 06451-MA7-405      | SEAL SET, PISTON    | 1           |
| * DIAPHRAGM.                         | --            | 2                                                        | 43107-MA7-006      | PISTON              | 1           |
| * HOSE COMP., REAR BRAKE             | 0.4           | 3                                                        | 43115-AAB-A00      | HOLDER RR CALIPER   | 1           |
| * CYL. SUB ASSY., REAR BRAKE MASTER. | --            | 4                                                        | 43150-AAB-A00      | CALIPER SUB ASSY RR | 1           |
| * CYLINDER SET, MASTER               | --            | 5                                                        | 43215-KGH-901      | PIN,HANGER          | 1           |
|                                      |               | 6                                                        | 43352-568-003L     | SCREW BLEEDER       | 1           |
|                                      |               | 7                                                        | 43353-461-771L     | CAP BLEEDER         | 1           |
|                                      |               | 8                                                        | 45111-MAJ-G41      | STOPPER RING        | 1           |
|                                      |               | 9                                                        | 45131-GE2-006L     | PIN BOLT A          | 1           |
|                                      |               | 10                                                       | 45131-GZ0-006L     | PIN BOLT            | 1           |
|                                      |               | 11                                                       | 45132-166-016L     | BUSH BOOT PIN       | 1           |
|                                      |               | 12                                                       | 45133-MA3-006L     | BOOT B              | 1           |
|                                      |               | 13                                                       | 45203-MCC-006      | PLUG,PIN            | 1           |
|                                      |               | 14                                                       | 94050-08000        | NUT, FLANGE, 8MM    | 1           |
|                                      |               | 15                                                       | 06435-AAB-A00      | PAD SET RR          | 1           |
|                                      |               | 16                                                       | 43114-KRY-971      | SHIM B              | 1           |

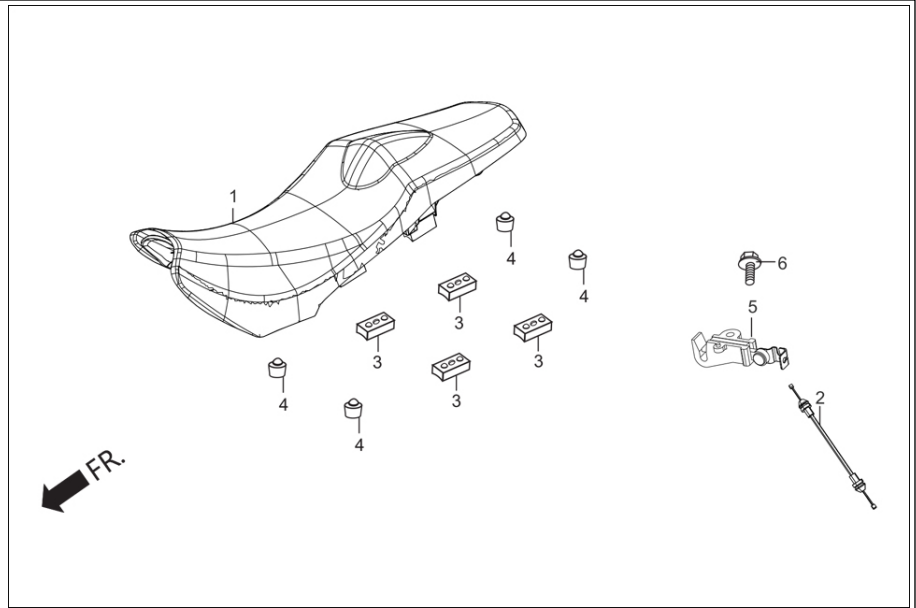
**F-9**  
RR WHEEL / FLANGE ASSY. DRIVEN





| <b>Service Item</b>              | <b>F.R.T.</b> | <b>Group Number: F-9 Model :: Hunk 200R (Aug, 2018)</b> |                    |                              |             |
|----------------------------------|---------------|---------------------------------------------------------|--------------------|------------------------------|-------------|
|                                  |               | <b>Ref No.</b>                                          | <b>Part Number</b> | <b>Description</b>           | <b>Req.</b> |
| * AXLE, RR. WHEEL                | 0.3           | 1                                                       | 41201-AAB-A00      | SPROCKET FINAL DRIVEN 37T    | 1           |
| * DAMPER SET, WHEEL              | --            | 2                                                       | 41241-KSP-900      | DAMPER, RR WHEEL             | 4           |
| * BEARING, RADIAL BALL, 6302 (U) | 0.5           | 3                                                       | 42301-AAB-A00      | AXLE RR WHEEL                | 1           |
| (ADD FOR EACH)                   | --            | 4                                                       | 42303-AAB-A00      | SLEEVE REAR WHEEL            | 1           |
| * COLLAR, RR. AXLE DISTANCE      | --            | 5                                                       | 42311-AAB-A00      | COLLAR RR WHEEL SIDE(LH)     | 1           |
| * SLEEVE, RR. AXLE               | --            | 6                                                       | 42313-KRY-970      | COLLAR RR. BRAKE SIDE        | 1           |
| * FLANGE FINAL DRIVEN            | 0.8           | 7                                                       | 42601-AAB-A20      | WHEEL COMP RR                | 1           |
| * SPROCKET, FINAL DRIVEN (43T).  | 0.7           | 8                                                       | 42611-KRY-930      | FLANGE, FINAL DRIVEN(NH-35M) | 1           |
| * BEARING, RADIAL BALL, 6005     | 0.7           | 9                                                       | 42620-AAR-000      | COLLAR RR AXLE DISTANCE      | 1           |
| * TYRE RR. (100/90-18, 56P)      | 0.9           | 10                                                      | 42703-AAB-A00      | WEIGHT BALANCE 5             | 1           |
| * TUBE SET, TUFF UP              | --            |                                                         | 42704-AAB-A00      | WEIGHT BALANCE 10            | 1           |
|                                  |               |                                                         | 42705-AAB-A00      | WEIGHT BALANCE 20            | 1           |
|                                  |               |                                                         | 42707-AAB-A00      | WEIGHT BALANCE 15            | 1           |
|                                  |               | 11                                                      | 42753-KWF-90099    | RIM VALVE                    | 1           |
|                                  |               | 12                                                      | 96150-60050-10     | BEARING, BALL RADIAL, 6005   | 1           |
|                                  |               | 13                                                      | 43251-KVN-971      | DISC,RR BRAKE                | 1           |
|                                  |               | 14                                                      | 90105-KL8-741      | BOLT, FR.DISK, 8 X 24        | 4           |
|                                  |               | 15                                                      | 90304-KCS-920      | NUT U 10 MM                  | 4           |
|                                  |               | 16                                                      | 90305-KVN-900      | NUT, FLG. PT. 14 MM          | 1           |
|                                  |               | 17                                                      | 90560-KVE-900      | WASHER, R RR. AXLE           | 2           |
|                                  |               | 18                                                      | 91253-KSP-901      | DUST SEAL, 30 X 47 X 8       | 1           |
|                                  |               | 19                                                      | 91257-230-003      | OIL SEAL 28X42X7             | 1           |
|                                  |               | 20                                                      | 91352-KSP-900      | O RING, 51 X 2               | 1           |
|                                  |               | 21                                                      | 92915-10025-0E     | BOLT, STUD II, 10X25         | 4           |
|                                  |               | 22                                                      | 96140-63020-10     | BRG., BALL RADIAL, 6302 (U)  | 2           |

## F-10 SEAT ASSY.

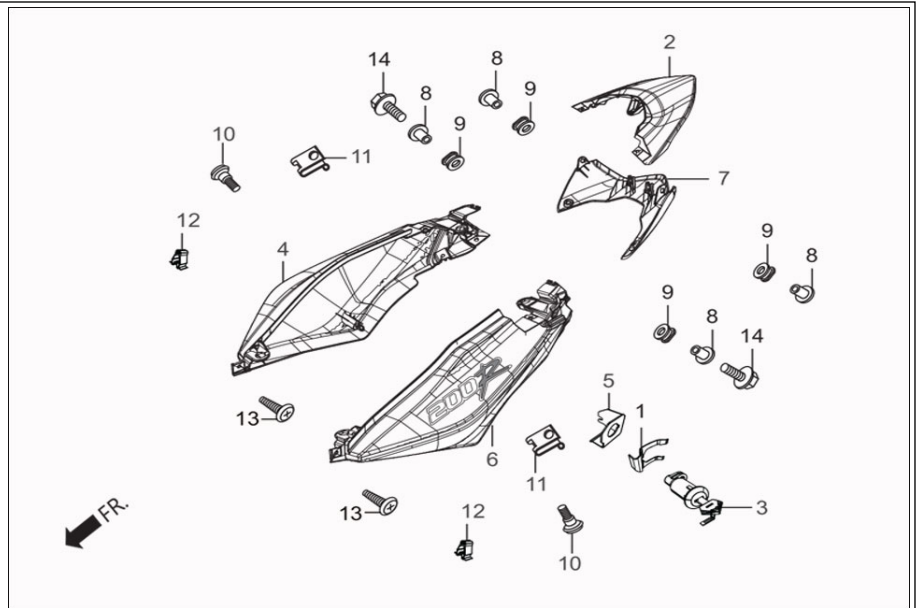


| Service Item                           | F.R.T. |
|----------------------------------------|--------|
| * LOCK ASSY., SEAT                     | 0.5    |
| * CABLE, SEAT LOCK                     | 0.2    |
| * COWL SET, R/L REAR<br>(ADD FOR EACH) | --     |
| * COWL SET, CENTER REAR                | --     |
| * BRACKET COMP., SEAT LOCK             | 0.1    |

Group Number: F-10 Model :: Hunk 200R (Aug, 2018)

| Ref No. | Part Number    | Description             | Req. |
|---------|----------------|-------------------------|------|
| 1       | 77200-AAB-A00  | SEAT COMP DOUBLE        | 1    |
| 2       | 77156-AAB-A00  | CABLE SEAT LOCK         | 1    |
| 3       | 77204-KCC-900  | RUBBER, `A SEAT SETTING | 4    |
| 4       | 77206-KTR-900  | RUBBER, SEAT CUSHION    | 4    |
| 5       | 77221-KVE-860  | HOOK SEAT CATCH         | 1    |
| 6       | 95701-06012-00 | BOLT, FLANGE, 6X12      | 1    |

**F-10A**  
BODY COVER (R./L. COWLS)



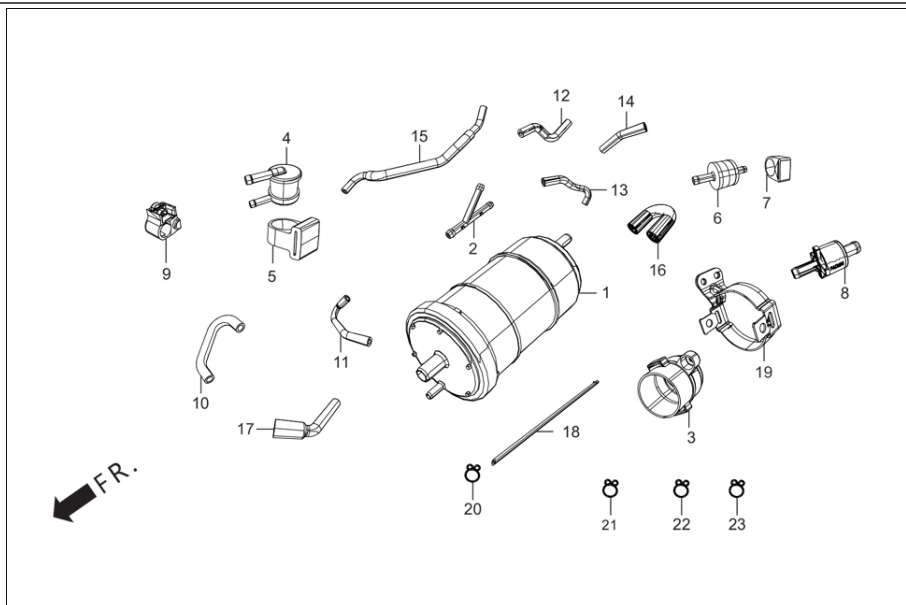
| <b>Service Item</b>                    | <b>F.R.T.</b> | <b>Group Number: F-10A Model :: Hunk 200R (Aug, 2018)</b> |                    |                              |             |
|----------------------------------------|---------------|-----------------------------------------------------------|--------------------|------------------------------|-------------|
|                                        |               | <b>Ref No.</b>                                            | <b>Part Number</b> | <b>Description</b>           | <b>Req.</b> |
| * LOCK ASSY., SEAT                     | 0.5           | 1                                                         | 75582-KCW-870      | SET SPG, LOCK KEY            | 1           |
| * CABLE, SEAT LOCK                     | 0.2           | 2                                                         | 77235-AAB-A000     | SET COWL CENTER REAR         | 1           |
| * COWL SET, R/L REAR<br>(ADD FOR EACH) | --            | 3                                                         | 77239-AAB-H61      | KEY SEAT LOCK                | 1           |
| * COWL SET, CENTER REAR                | --            | 4                                                         | 77240-ABF-100R     | SET COWL R REAR (SPORTS RED) | 1           |
| * BRACKET COMP., SEAT LOCK             | 0.1           | 5                                                         | 77244-AAB-000      | STAY SEAT LOCK CABLE         | 1           |
|                                        |               | 6                                                         | 77250-ABF-100R     | SET COWL L REAR (SPORTS RED) | 1           |
|                                        |               | 7                                                         | 77266-AAB-A000     | COWL RR UNDER                | 1           |
|                                        |               | 8                                                         | 80111-KVN-900      | COLLAR, RR. FENDER           | 4           |
|                                        |               | 9                                                         | 80112-KVN-900      | RUBBER, RR FENDER            | 4           |
|                                        |               | 10                                                        | 90101-GE0-000      | SCREW, HINGE PATCH           | 9           |
|                                        |               | 11                                                        | 90320-GC3-000      | NUT, SPRING, M5              | 6           |
|                                        |               | 12                                                        | 90666-AAB-000      | CLIP SNAP FIT                | 2           |
|                                        |               | 13                                                        | 93903-34310        | SCREW TAPPING M4X12          | 2           |
|                                        |               | 14                                                        | 95701-06020-00     | BOLT, FLANGE, 6X20           | 2           |



| <b>Service Item</b>    | <b>F.R.T.</b> | <b>Group Number: F-11 Model :: Hunk 200R (Aug, 2018)</b> |                    |                                    |             |
|------------------------|---------------|----------------------------------------------------------|--------------------|------------------------------------|-------------|
|                        |               | <b>Ref No.</b>                                           | <b>Part Number</b> | <b>Description</b>                 | <b>Req.</b> |
| *COCK ASSY., FUEL      | 0.2           | 1                                                        | 16950-AAB-A01      | COCK ASSY FUEL                     | 1           |
| *SCREEN, FUEL STRAINER | --            | 2                                                        | 16952-AAB-A01      | SET FUEL STRAINER SCREEN           | 1           |
| *TANK SET, FUEL        | 0.3           | 3                                                        | 16955-AAB-A00      | LEVER FUEL COCK                    | 1           |
| *UNIT ASSY., FUEL.     | 0.4           | 4                                                        | 16956-AAB-A00      | O RING 33.9X5                      | 1           |
|                        |               | 5                                                        | 16958-397-770      | O-RING                             | 1           |
|                        |               | 6                                                        | 17199-KTR-900      | TUBE, DRAIN                        | 1           |
|                        |               | 7                                                        | 17510-AAB-C00R     | TANK COMP FUEL (MAT AXIS GRAY ME.) | 1           |
|                        |               |                                                          | 17510-AAB-A00S     | TANK COMP FUEL (BLACK NH-1)        | 1           |
|                        |               |                                                          | 17510-AAB-A00U     | TANK COMP FUEL (TECHNO BLUE ME.)   | 1           |
|                        |               |                                                          | 17510-AAB-A00V     | TANK COMP FUEL (SPORTS RED)        | 1           |
|                        |               | 8                                                        | 17506-AAB-A00      | TANK FILM PROTECTOR                | 1           |
|                        |               | 9                                                        | 17529-KVN-900      | RUBBER SHROUD MOUNT                | 4           |
|                        |               | 10                                                       | 17611-KRY-970      | CUSHION , FRONT FUEL TANK          | 2           |
|                        |               | 11                                                       | 17613-MV4-000      | CUSHION, RR. FUEL TANK             | 1           |
|                        |               | 12                                                       | 17681-AAB-A00      | TUBE FUEL                          | 1           |
|                        |               | 13                                                       | 37800-KVN-901      | UNIT, ASSY. FUEL                   | 1           |
|                        |               | 14                                                       | 50200-AAB-C00R     | SET SHROUD R. (MAT AXIS GRAY ME.)  | 1           |
|                        |               |                                                          | 50200-ABF-100R     | SET SHROUD R. (SPORTS RED)         | 1           |
|                        |               |                                                          | 50200-ABF-100S     | SET SHROUD R. (BLACK NH-1)         | 1           |
|                        |               |                                                          | 50200-ABF-100U     | SET SHROUD R. (TECHNO BLUE ME.)    | 1           |
|                        |               | 15                                                       | 50265-AAB-A00      | SHROUD R INNER                     | 1           |
|                        |               | 16                                                       | 50275-AAB-A00      | SHROUD L INNER                     | 1           |
|                        |               | 17                                                       | 50300-AAB-C00R     | SET SHROUD L. (MAT AXIS GRAY ME.)  | 1           |
|                        |               |                                                          | 50300-ABF-100R     | SET SHROUD L. (SPORTS RED)         | 1           |
|                        |               |                                                          | 50300-ABF-100S     | SET SHROUD L. (BLACK NH-1)         | 1           |
|                        |               |                                                          | 50300-ABF-100U     | SET SHROUD L. (TECHNO BLUE ME.)    | 1           |
|                        |               | 18                                                       | 64720-AAB-A00      | LOUVER R                           | 1           |
|                        |               | 19                                                       | 64820-AAB-A00      | LOUVER L                           | 1           |

|    |                |                           |    |
|----|----------------|---------------------------|----|
| 20 | 80101-KVN-900  | COLLAR, 8 X 12            | 1  |
| 21 | 83551-300-000  | GROMMET, AIR CLEANER CASE | 2  |
| 22 | 90074-KVE-900  | BOLT SOCKET 4 X 21        | 3  |
| 23 | 90108-KVN-900  | BOLT, COWL SET            | 4  |
| 24 | 90534-MV4-000  | WASHER ,8.5X28            | 1  |
| 25 | 91305-443-740  | O RING, 39.5 X 5          | 1  |
| 26 | 93903-34380    | SCREW, TAPPING, 4X12      | 12 |
| 27 | 94050-06000    | NUT, FLANGE, 6 MM         | 4  |
| 28 | 94201-25250    | PIN, SPLIT, 2.5X25        | 1  |
| 29 | 95002-50000    | CLIP, C9 TUBE             | 2  |
| 30 | 95701-06012-00 | BOLT, FLANGE, 6X12        | 1  |
| 31 | 95701-08025-08 | BOLT, FLANGE, 8X25        | 1  |
| 32 | 17547-AAB-A00  | PAD FUEL TANK MIDDLE      | 1  |
| 33 | 17548-AAB-A00  | PAD FUEL TANK R           | 1  |
| 34 | 17549-AAB-A00  | PAD FUEL TANK L           | 1  |

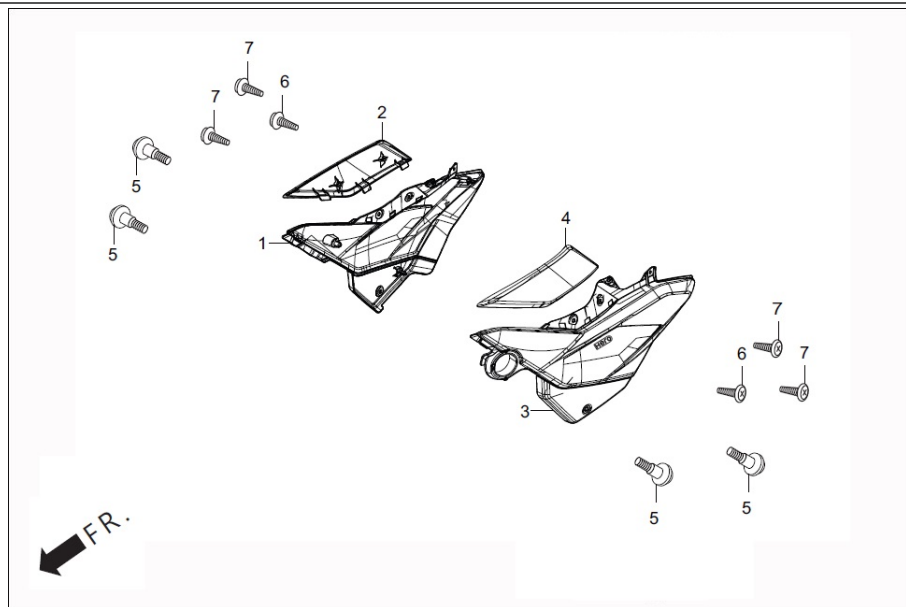
**F-11A**  
FUEL TANK (CANISTER ASSY.)





| <b>Service Item</b>    | <b>F.R.T.</b> | <b>Group Number: F-11A Model :: Hunk 200R (Aug, 2018)</b> |                    |                      |             |
|------------------------|---------------|-----------------------------------------------------------|--------------------|----------------------|-------------|
|                        |               | <b>Ref No.</b>                                            | <b>Part Number</b> | <b>Description</b>   | <b>Req.</b> |
| *COCK ASSY., FUEL      | 0.2           | 1                                                         | 17410-AAM-001      | CANISTER COMP        | 1           |
| *SCREEN, FUEL STRAINER | --            | 2                                                         | 17230-AAH-100      | JOINT 3 WAY          | 1           |
| *TANK SET, FUEL        | 0.3           | 3                                                         | 17411-AAB-A00      | SUSP CANISTER        | 1           |
| *UNIT ASSY., FUEL.     | 0.4           | 4                                                         | 17420-AAD-A00      | ROLL OVER VALVE      | 1           |
|                        |               | 5                                                         | 17421-AAB-500      | SUSP ROLL OVER VALVE | 1           |
|                        |               | 6                                                         | 17430-AAE-100      | ONE WAY VALVE        | 1           |
|                        |               | 7                                                         | 17431-AAH-A00      | SUSP. ONE WAY VALVE  | 1           |
|                        |               | 8                                                         | 17460-AAE-10099    | PURGE VALVE          | 1           |
|                        |               | 9                                                         | 17646-MN8-700      | RUBBER SEAL BREATHER | 1           |
|                        |               | 10                                                        | 17670-AAB-A00      | PURGE TUBE A         | 1           |
|                        |               | 11                                                        | 17671-AAB-A00      | PURGE TUBE B         | 1           |
|                        |               | 12                                                        | 17690-AAB-A00      | TUBE A PIPE BREATHER | 1           |
|                        |               | 13                                                        | 17691-AAB-A00      | TUBE A CANISTER      | 1           |
|                        |               | 14                                                        | 17693-AAB-A00      | TUBE A J3W           | 1           |
|                        |               | 15                                                        | 17694-AAB-A00      | TUBE B J3W           | 1           |
|                        |               | 16                                                        | 17695-AAH-A00      | TUBE BREATHER OWV    | 1           |
|                        |               | 17                                                        | 17695-AAM-000      | TUBE AIR CANISTER    | 1           |
|                        |               | 18                                                        | 17699-AAT-000      | TUBE DRAIN CANISTER  | 1           |
|                        |               | 19                                                        | 50151-AAB-A00      | CANISTER CLIP        | 1           |
|                        |               | 20                                                        | 95002-02080        | CLIP, TUBE           | 11          |
|                        |               | 21                                                        | 95002-02100        | CLIP, B-10 TUBE      | 1           |
|                        |               | 22                                                        | 95002-02130        | CLIP B 12.5 TUBE     | 1           |
|                        |               | 23                                                        | 95002-70000        | CLIP, C11 TUBE       | 2           |

**F-12**  
SIDE COVER

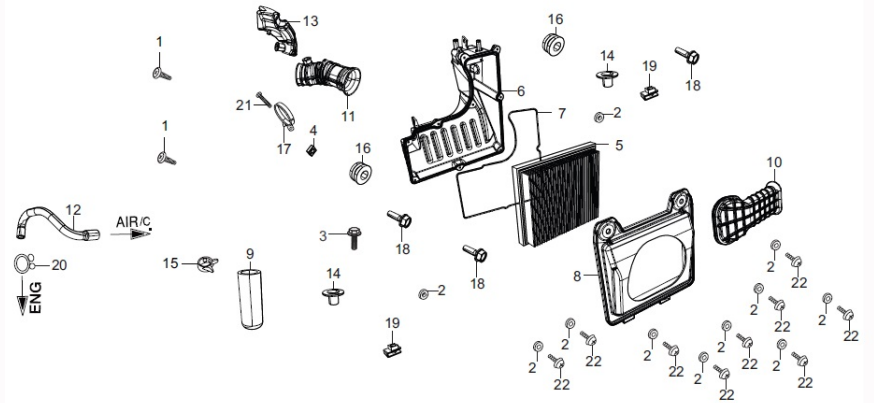


| <b>Service Item</b>    | <b>F.R.T.</b> | <b>Group Number: F-12 Model :: Hunk 200R (Aug, 2018)</b> |                    |                                     |             |
|------------------------|---------------|----------------------------------------------------------|--------------------|-------------------------------------|-------------|
|                        |               | <b>Ref No.</b>                                           | <b>Part Number</b> | <b>Description</b>                  | <b>Req.</b> |
| *SET, RIGHT SIDE COVER | 0.1           | 1                                                        | 83500-AAB-A000     | SET COVER A R SIDE (MBLK, NH-105)   | 1           |
| *SET, LEFT SIDE COVER  | 0.1           | 2                                                        | 83550-AAB-C00R     | COVER B, R SIDE (MAT AXIS GRAY ME.) | 1           |
|                        |               |                                                          | 83550-AAB-A00S     | COVER B R SIDE (BLK, NH-1)          | 1           |
|                        |               |                                                          | 83550-ABF-100U     | COVER B, R SIDE (TECHNO BLUE ME.)   | 1           |
|                        |               |                                                          | 83550-AAB-A00V     | COVER B R SIDE (SRD, R-321)         | 1           |
|                        |               | 3                                                        | 83600-AAB-A000     | SET COVER A L SIDE (MBLK, NH-105)   | 1           |
|                        |               | 4                                                        | 83650-AAB-C00R     | COVER B, L SIDE (MAT AXIS GRAY ME.) | 1           |
|                        |               |                                                          | 83650-AAB-A00S     | COVER B L SIDE (BLK, NH-1)          | 1           |
|                        |               |                                                          | 83650-ABF-100U     | COVER B, L SIDE (TECHNO BLUE ME.)   | 1           |
|                        |               |                                                          | 83650-AAB-A00V     | COVER B L SIDE (SRD, R-321)         | 1           |
|                        |               | 5                                                        | 90101-GE0-000      | SCREW, HINGE PATCH                  | 4           |
|                        |               | 6                                                        | 90381-KWA-940      | SCREW SPECIAL 6x13                  | 2           |
|                        |               | 7                                                        | 93903-34220        | SCREW TAPPING 4X10                  | 4           |

# F-13

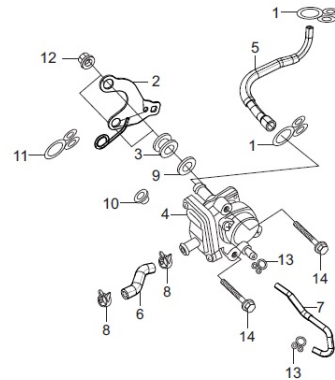
AIR CLEANER

FR. ←



| <b>Service Item</b>             | <b>F.R.T.</b> | <b>Group Number: F-13 Model :: Hunk 200R (Aug, 2018)</b> |                    |                         |             |
|---------------------------------|---------------|----------------------------------------------------------|--------------------|-------------------------|-------------|
|                                 |               | <b>Ref No.</b>                                           | <b>Part Number</b> | <b>Description</b>      | <b>Req.</b> |
| * ELEMENT COMP., AIR CLEANER    | 0.1           | 1                                                        | 93500-05016-1H     | SCREW, PAN, 5 X 16      | 2           |
| * COVER, SUB ASSY., AIR CLEANER | 0.6           | 2                                                        | 94101-05000        | WASHER , PLAIN, 5MM     | 11          |
| * RESONATOR                     | 0.2           | 3                                                        | 95701-06012-07     | BOLT, FLANGE, 6X12      | 1           |
| * CASE SUB. ASSY., AIR CLEANER  | 0.7           | 4                                                        | 16222-MV4-300      | NUT, SQUARE, 5 MM       | 1           |
| * HOLDER SUB ASSY., AIR CLEANER | --            | 5                                                        | 17208-AAB-A00      | ELEMENT COMP AIR/C      | 1           |
|                                 |               | 6                                                        | 17210-AAB-A00      | CASE SUB ASSY A/C       | 1           |
|                                 |               | 7                                                        | 17214-AAB-A00      | SEAL B AIR CLEANER      | 1           |
|                                 |               | 8                                                        | 17225-AAB-A00      | COVER SUB ASSY A/C      | 1           |
|                                 |               | 9                                                        | 17227-ABA-000      | V.TUBE 11X15X40         | 1           |
|                                 |               | 10                                                       | 17251-AAB-A00      | DUCT AIR/C              | 1           |
|                                 |               | 11                                                       | 17253-AAB-A00      | TUBE AIR/C CONNECTOR    | 1           |
|                                 |               | 12                                                       | 17371-AAB-A01      | TUBE BREATHER           | 1           |
|                                 |               | 13                                                       | 17410-AAB-A00      | RESONATOR               | 1           |
|                                 |               | 14                                                       | 19052-KV0-000      | COLLAR, RADIATOR MTG    | 2           |
|                                 |               | 15                                                       | 19509-GE2-003      | CLAMP, D19 TUBE         | 1           |
|                                 |               | 16                                                       | 83545-KCJ-690      | RUBBER, SIDE COVER      | 2           |
|                                 |               | 17                                                       | 95018-58320        | BAND 58 AIR/C CONN TUBE | 1           |
|                                 |               | 18                                                       | 95701-06020-00     | BOLT, FLANGE, 6X20      | 3           |
|                                 |               | 19                                                       | 90311-MT3-000      | NUT, CLIP, 6 MM         | 2           |
|                                 |               | 20                                                       | 90601-KAF-003      | CLIP, SW. COVER         | 1           |
|                                 |               | 21                                                       | 93500-05025-0G     | SCREW PAN 5X25          | 1           |
|                                 |               | 22                                                       | 93903-25380        | SCREW TAPPING 5X16      | 9           |

**F-13A**  
AIR CLEANER (AIR SUCTION VALVE)



FR.

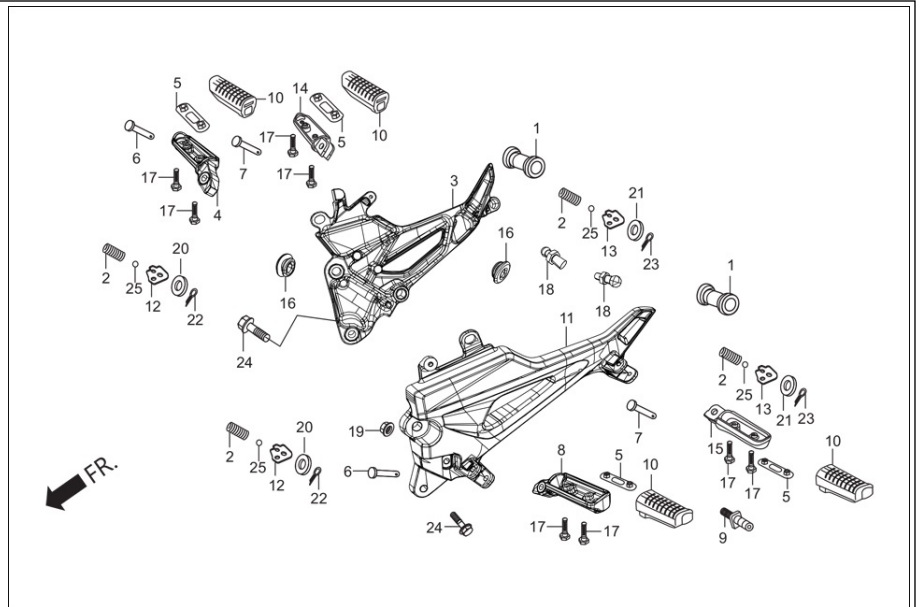
| <b>Service Item</b>             | <b>F.R.T.</b> | <b>Group Number: F-13A Model :: Hunk 200R (Aug, 2018)</b> |                    |                              |             |
|---------------------------------|---------------|-----------------------------------------------------------|--------------------|------------------------------|-------------|
|                                 |               | <b>Ref No.</b>                                            | <b>Part Number</b> | <b>Description</b>           | <b>Req.</b> |
| *ELEMENT COMP., AIR CLEANER     | 0.1           | 1                                                         | 15772-KTN-900      | CLIP BREATHER TUBE           | 4           |
| *COVER, SUB ASSY., AIR CLEANER  | 0.6           | 2                                                         | 17365-AAB-A00      | PLATE ASV SET                | 1           |
| *RESONATOR                      | 0.2           | 3                                                         | 17622-GB7-900      | RUBBER, CUSHION              | 2           |
| * CASE SUB. ASSY., AIR CLEANER  | 0.7           | 4                                                         | 18600-KSP-901      | VALVE, ASSY. AIR SUCTION     | 1           |
| * HOLDER SUB ASSY., AIR CLEANER | --            | 5                                                         | 18601-AAB-A00      | TUBE A ASV                   | 1           |
|                                 |               | 6                                                         | 18602-AAB-A00      | TUBE B ASV                   | 1           |
|                                 |               | 7                                                         | 18655-AAB-A00      | TUBE PB ASV                  | 1           |
|                                 |               | 8                                                         | 19509-KFN-850      | CLAMP, D16 TUBE              | 2           |
|                                 |               | 9                                                         | 90417-041-000      | WASHER, GEAR SHIFT DRUM SIDE | 2           |
|                                 |               | 10                                                        | 90502-KVE-900      | COLLAR RUBBER CUSHION        | 2           |
|                                 |               | 11                                                        | 90601-KAF-003      | CLIP, SW. COVER              | 1           |
|                                 |               | 12                                                        | 94050-06000        | NUT, FLANGE, 6 MM            | 2           |
|                                 |               | 13                                                        | 95002-02070        | CLIP, B-7 TUBE               | 2           |
|                                 |               | 14                                                        | 95701-06030-00     | BOLT, FLANGE, 6X30           | 2           |





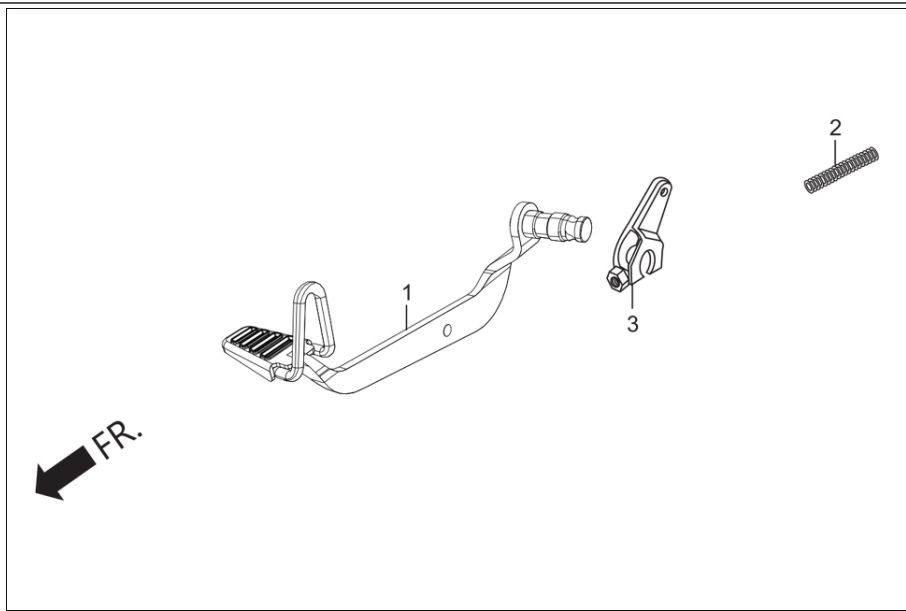
| <b>Service Item</b>      | <b>F.R.T.</b> | <b>Group Number: F-14 Model :: Hunk 200R (Aug, 2018)</b> |                    |                             |             |
|--------------------------|---------------|----------------------------------------------------------|--------------------|-----------------------------|-------------|
|                          |               | <b>Ref No.</b>                                           | <b>Part Number</b> | <b>Description</b>          | <b>Req.</b> |
| * COVER-B COMP., MUFFLER | 0.1           | 1                                                        | 18300-AAB-A00      | MUFFLER COMPLETE EXHAUST    | 1           |
| * MUFFLER COMP., EXHAUST | 0.3           | 2                                                        | 18291-KRY-930      | GASKET, EXHAUST PIPE        | 1           |
|                          |               | 3                                                        | 18293-KPK-900      | RUBBER, PKG. PROTECTOR      | 2           |
|                          |               | 4                                                        | 18312-AAB-A00      | ASSY COVER MUFFLER UPPER    | 1           |
|                          |               | 5                                                        | 18313-AAB-A00      | ASSY COVER MUFFLER LOWER    | 1           |
|                          |               | 6                                                        | 18317-KVN-900      | PROTECTOR, MUFF             | 1           |
|                          |               | 7                                                        | 18345-MBT-610      | RUBBER, PROTECTOR, MOUNT    | 4           |
|                          |               | 8                                                        | 18421-438-670      | RUBBER, MUFFLER MOUNT       | 1           |
|                          |               | 9                                                        | 18442-KRC-900      | COLLAR, MUFFLER MOUNT       | 1           |
|                          |               | 10                                                       | 33619-459-840A     | COLLAR,WINKER STAY          | 4           |
|                          |               | 11                                                       | 90107-KST-940      | SCREW MUFF. PROTECTOR MOUNT | 2           |
|                          |               | 12                                                       | 90305-KSP-900      | NUT, 8MM EXP.               | 2           |
|                          |               | 13                                                       | 94050-10000        | NUT, FLANGE, 10MM           | 1           |
|                          |               | 14                                                       | 94101-06000        | WASHER, PLAIN, 6 MM         | 2           |
|                          |               | 15                                                       | 94103-10000        | WASHER, PLAIN, 10MM         | 1           |
|                          |               | 16                                                       | 95801-10055-00     | BOLT, FLANGE, 10X55         | 1           |
|                          |               | 17                                                       | 96001-06014-02     | BOLT, FLANGE SH. 6 X 14     | 2           |

**F-15**  
STEP PILLION / HOLDER / BRKT.



| <b>Service Item</b>            |     | <b>Group Number: F-15 Model :: Hunk 200R (Aug, 2018)</b> |                    |                             |             |
|--------------------------------|-----|----------------------------------------------------------|--------------------|-----------------------------|-------------|
| <b>F.R.T.</b>                  |     | <b>Ref No.</b>                                           | <b>Part Number</b> | <b>Description</b>          | <b>Req.</b> |
| * BAR COMP., STEP              | 0.4 | 1                                                        | 18421-438-670      | RUBBER, MUFFLER MOUNT       | 1           |
| * BAR R., MAIN STEP            | 0.1 | 2                                                        | 28333-300-000      | SPRING KICK STARTER STOPPER | 4           |
| (INC. RELATIVE PART)           | --  | 3                                                        | 50600-AAB-010      | HOLDER R STEP (DISK)        | 1           |
| * BAR L., MAIN STEP            | 0.1 | 4                                                        | 50612-AAB-A00      | ARM R STEP                  | 1           |
| (INC. RELATIVE PART)           | --  | 5                                                        | 50619-KRY-970      | PLATE STEP SET              | 4           |
| * BRKT. COMP., R. PILLION STEP | 0.5 | 6                                                        | 50638-KRY-970      | PIN, STEP BAR PILLION       | 2           |
| * BRKT. L., PILLION STEP       | 0.2 | 7                                                        | 50639-KRY-970      | PIN, STEP BAR               | 2           |
|                                |     | 8                                                        | 50642-AAB-A00      | ARM L STEP                  | 1           |
|                                |     | 9                                                        | 50643-KCT-690      | PIVOT,CHANGE PEDAL          | 1           |
|                                |     | 10                                                       | 50661-KVE-860      | RUBBER,STEP                 | 4           |
|                                |     | 11                                                       | 50700-AAB-A00      | HOLDER L STEP               | 1           |
|                                |     | 12                                                       | 50718-AAB-H70      | PLATE P STEP CLICK          | 2           |
|                                |     | 13                                                       | 50718-KRY-970      | PLATE, P STEP CLICK         | 2           |
|                                |     | 14                                                       | 50720-KRY-970      | ARM, R PILLION STEP         | 1           |
|                                |     | 15                                                       | 50730-KRY-970      | ARM, L PILLION STEP         | 1           |
|                                |     | 16                                                       | 83551-MA6-000      | GROMMET,SIDE COVER          | 2           |
|                                |     | 17                                                       | 90115-MV9-000      | BOLT, M. STEP RUB.SET       | 8           |
|                                |     | 18                                                       | 92501-AAB-A00      | BOLT HEX SPL 8X10           | 2           |
|                                |     | 19                                                       | 94050-08000        | NUT, FLANGE, 8MM            | 1           |
|                                |     | 20                                                       | 94101-06000        | WASHER, PLAIN, 6 MM         | 2           |
|                                |     | 21                                                       | 94102-08000        | WASHER, PLAIN, 8MM          | 2           |
|                                |     | 22                                                       | 94201-16120        | PIN, SPLIT, 1.6 X 12        | 2           |
|                                |     | 23                                                       | 94201-20150        | PIN, SPLIT, 2.0 X 15        | 2           |
|                                |     | 24                                                       | 95701-10025-00     | BOLT, FLANGE, 10 X 25       | 2           |
|                                |     | 25                                                       | 96211-08000        | BALL STEEL 8 MM             | 4           |

**F-15A**  
STEP PILLION / HOLDER / BRKT. (PEDAL  
BRAKE)

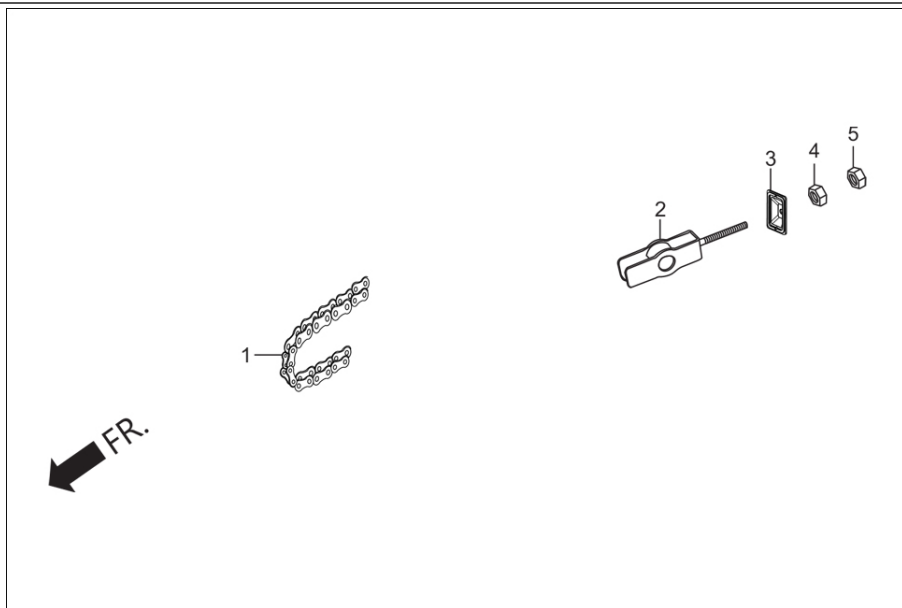


| Service Item                                | F.R.T.    |
|---------------------------------------------|-----------|
| * BAR COMP., STEP                           | 0.4       |
| * BAR R., MAIN STEP<br>(INC. RELATIVE PART) | 0.1<br>-- |
| * BAR L., MAIN STEP<br>(INC. RELATIVE PART) | 0.1<br>-- |
| * BRKT. COMP., R. PILLION STEP              | 0.5       |
| * BRKT. L., PILLION STEP                    | 0.2       |

| Group Number: F-15A Model :: Hunk 200R (Aug, 2018) |               |                  |      |
|----------------------------------------------------|---------------|------------------|------|
| Ref No.                                            | Part Number   | Description      | Req. |
| 1                                                  | 46500-AAB-H60 | PEDAL BRAKE      | 1    |
| 2                                                  | 46514-KN5-670 | SPG. BRAKE PEDAL | 1    |
| 3                                                  | 46515-KVN-970 | ARM COMP,MIDDLE  | 1    |

## F-16

### CHAIN DRIVE / ADJUSTER CHAIN

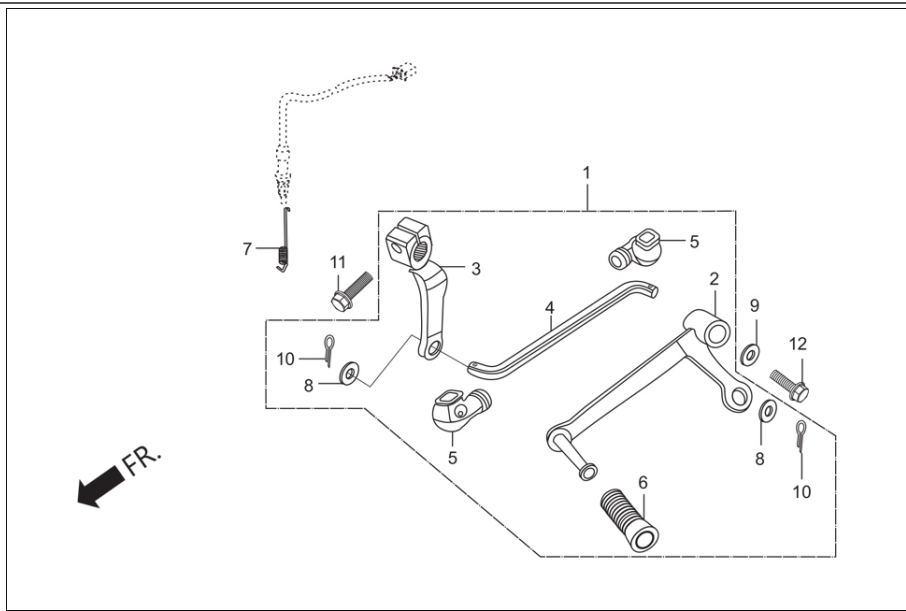


| Service Item                                     | F.R.T.    |
|--------------------------------------------------|-----------|
| * CASE, UPPER (HALF) DRIVE CHAIN<br>(ONE OR ALL) | 0.1<br>-- |
| * CHAIN, DRIVE.                                  | 0.3       |
| * ARM, RR. BRAKE STOPPER                         | 0.2       |
| * SWINGARM, COMP. RR                             | 0.7       |
| * RUBBER BUSH, RR. FORK PIVOT                    | 1.0       |
| * SLIDER, CHAIN                                  | --        |

**Group Number:** F-16 Model :: Hunk 200R (Aug, 2018)

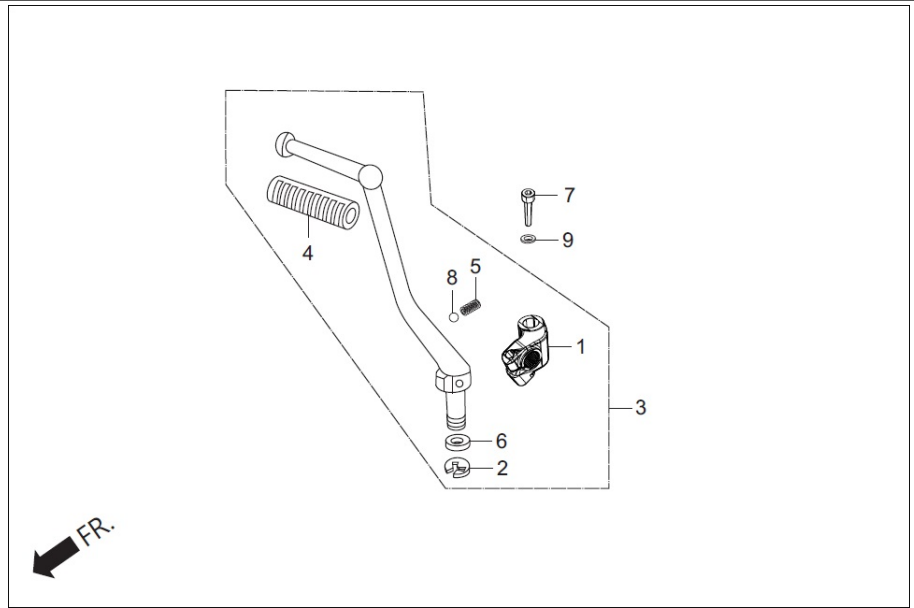
| Ref No. | Part Number      | Description             | Req. |
|---------|------------------|-------------------------|------|
| 1       | 40530-AAB-A00099 | CHAIN DRIVE 520-106     | 1    |
| 2       | 40543-KRY-900    | ADJUSTER, R CHAIN       | 1    |
| 3       | 40546-KVE-900    | CAP, SWINGING END (SSM) | 1    |
| 4       | 90302-KBP-900    | NUT SPL 6 MM            | 1    |
| 5       | 94001-06000-0S   | NUT, HEX., 6 MM         | 1    |

**F-17**  
PEDAL



| <b>Service Item</b>        | <b>F.R.T.</b> | <b>Group Number: F-17 Model :: Hunk 200R (Aug, 2018)</b> |                    |                         |             |
|----------------------------|---------------|----------------------------------------------------------|--------------------|-------------------------|-------------|
| * PEDAL ASSY., GEAR CHANGE | 0.1           | <b>Ref No.</b>                                           | <b>Part Number</b> | <b>Description</b>      | <b>Req.</b> |
| * ARM ASSY., KICK STARTER  | --            | 1                                                        | 24700-KVE-900      | PEDAL ASSY. GEAR CHANGE | 1           |
| * JOINT, KICK ARM          | 0.2           | 2                                                        | 24701-KVE-900      | PEDAL, GEAR CHANGE      | 1           |
| * STOPPER, KICK ARM        | 0.3           | 3                                                        | 24711-KVE-900      | ARM, GEAR CHANGE PEDAL  | 1           |
| * SWITCH ASSY., RR. STOP   | 0.2           | 4                                                        | 24720-KFN-850      | TIE,ROD                 | 1           |
| * ROD COMP., RR. BRAKE     | 0.3           | 5                                                        | 24721-GS3-000      | COVER,CHANGE PEDAL      | 2           |
| * PEDAL, BRAKE             | 0.5           | 6                                                        | 24781-KR3-770      | RUBBER, CHANGE PEDAL    | 1           |
|                            |               | 7                                                        | 35357-KVN-970      | SPG,STOP SW             | 1           |
|                            |               | 8                                                        | 90502-155-000      | WASHER,PLAIN,7MM        | 2           |
|                            |               | 9                                                        | 94103-06000        | WASHER PLAIN,6MM        | 1           |
|                            |               | 10                                                       | 94201-20150        | PIN, SPLIT, 2.0 X 15    | 2           |
|                            |               | 11                                                       | 95701-06020-00     | BOLT, FLANGE, 6X20      | 1           |
|                            |               | 12                                                       | 96001-06012-00     | BOLT,FLANGE,SH.,6 X 12  | 1           |

## F-17A KICK STARTER



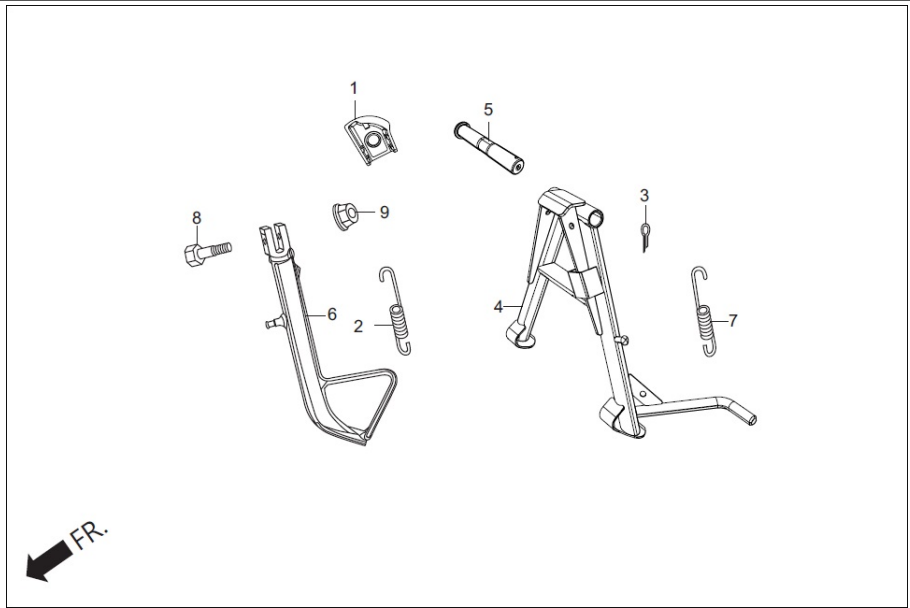
| Service Item               | F.R.T. |
|----------------------------|--------|
| * PEDAL ASSY., GEAR CHANGE | 0.1    |
| * ARM ASSY., KICK STARTER  | --     |
| * JOINT, KICK ARM          | 0.2    |
| * STOPPER, KICK ARM        | 0.3    |
| * SWITCH ASSY., RR. STOP   | 0.2    |
| * ROD COMP., RR. BRAKE     | 0.3    |
| * PEDAL, BRAKE             | 0.5    |

**Group Number:** F-17A Model :: Hunk 200R (Aug, 2018)

| Ref No. | Part Number    | Description                  | Req. |
|---------|----------------|------------------------------|------|
| 1       | 28241-AAK-H00  | JOINT KICK ARM               | 1    |
| 2       | 28293-333-000  | CLIP, KICK STARTER ARM       | 1    |
| 3       | 28300-AAK-H00  | ARM ASSY KICK STARTER        | 1    |
| 4       | 28311-KC5-000  | STARTER RUBBER, KICK         | 1    |
| 5       | 28333-KK0-000  | SPRING, KICK STARTER ARM SET | 1    |
| 6       | 90505-KRM-860  | WASHER, 15.5 X 22            | 1    |
| 7       | 96700-08040-00 | SOCKET, BOLT 8 X 40          | 1    |
| 8       | 96211-08000    | BALL STEEL 8 MM              | 1    |
| 9       | 94102-08000    | WASHER, PLAIN, 8MM           | 1    |



## F-18 CHAIN CASE & STAND

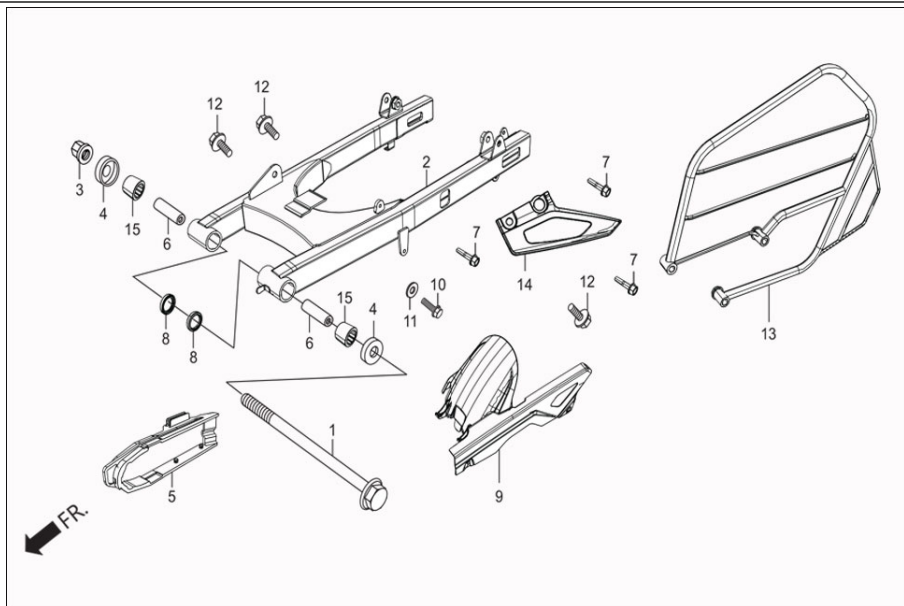


| Service Item                                     | F.R.T.    |
|--------------------------------------------------|-----------|
| * CASE, UPPER (HALF) DRIVE CHAIN<br>(ONE OR ALL) | 0.1<br>-- |
| * CHAIN, DRIVE.                                  | 0.3       |
| * ARM, RR. BRAKE STOPPER.                        | 0.2       |
| * SWINGARM, COMP. RR                             | 0.7       |
| * RUBBER BUSH, RR. FORK PIVOT                    | 1.0       |
| * SLIDER, CHAIN                                  | --        |

**Group Number: F-18 Model :: Hunk 200R (Aug, 2018)**

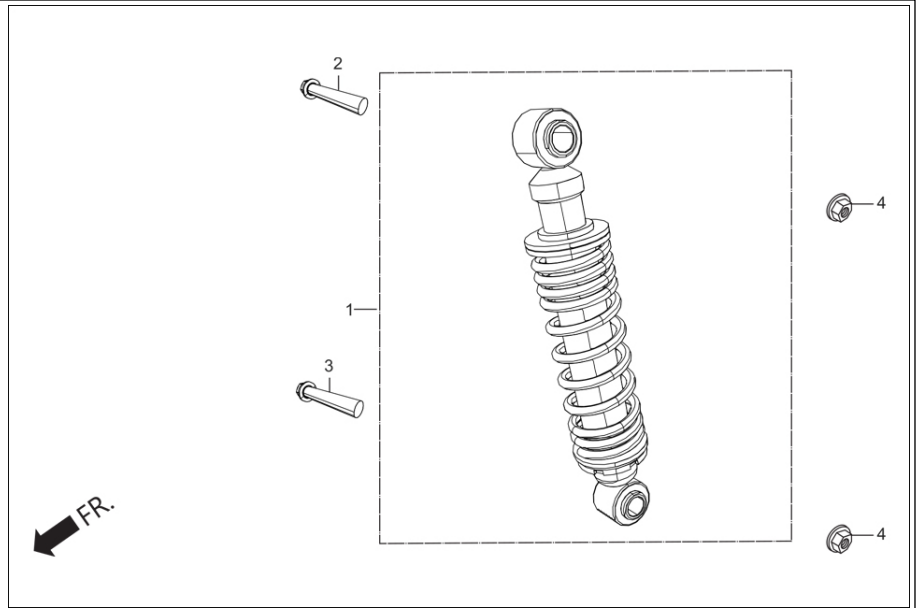
| Ref No. | Part Number   | Description             | Req. |
|---------|---------------|-------------------------|------|
| 1       | 35130-AAB-000 | MAGNET HOLDER ASSY.     | 1    |
| 2       | 95014-72102   | SPRING, SIDE STAND      | 1    |
| 3       | 94201-30300   | PIN, SPLIT 3 X 30MM     | 1    |
| 4       | 50500-AAB-A00 | STAND COMP MAIN         | 1    |
| 5       | 50526-KCT-690 | SHAFT, MAIN STAND PIVOT | 1    |
| 6       | 50530-KVE-900 | BAR COMP., SIDE STAND   | 1    |
| 7       | 95014-71702   | SPRING G MAIN STAND     | 1    |
| 8       | 90107-AAB-000 | SCREW SIDE STAND PIVOT  | 1    |
| 9       | 90304-KFN-850 | NUT U 10 MM             | 1    |

**F-18A**  
SWINGARM / GUARD SAREE / CHAIN CASE



| <b>Service Item</b>                              | <b>F.R.T.</b> | <b>Group Number: F-18A Model :: Hunk 200R (Aug, 2018)</b> |                    |                              |             |
|--------------------------------------------------|---------------|-----------------------------------------------------------|--------------------|------------------------------|-------------|
| * CASE, UPPER (HALF) DRIVE CHAIN<br>(ONE OR ALL) | 0.1<br>--     | <b>Ref No.</b>                                            | <b>Part Number</b> | <b>Description</b>           | <b>Req.</b> |
| * CHAIN, DRIVE.                                  | 0.3           | 1                                                         | 52101-KTN-700      | BOLT, SWINGARM PIVOT         | 1           |
| * ARM, RR. BRAKE STOPPER                         | 0.2           | 2                                                         | 52110-AAB-A00      | SWINGARM COMP RR             | 1           |
| * SWINGARM, COMP. RR.                            | 0.7           | 3                                                         | 90305-KVN-900      | NUT, FLG. PT. 14 MM          | 1           |
| * RUBBER BUSH, RR. FORK PIVOT                    | 1.0           | 4                                                         | 52144-KEJ-900      | DUST SEAL, CAP REAR SWINGARM | 2           |
| * SLIDER, CHAIN                                  | --            | 5                                                         | 52170-AAB-A00      | SLIDER CHAIN                 | 1           |
|                                                  |               | 6                                                         | 52143-KVE-900      | COLLAR, PIVOT DIST L         | 2           |
|                                                  |               | 7                                                         | 95701-08040-07     | BOLT FLANGE,8 X 40           | 3           |
|                                                  |               | 8                                                         | 91254-KS6-003      | DUST SEAL 20 X 26 X 4.5      | 2           |
|                                                  |               | 9                                                         | 40510-AAB-A00      | UPPER CHAIN CASE             | 1           |
|                                                  |               | 10                                                        | 95701-06012-07     | BOLT, FLANGE, 6X12           | 1           |
|                                                  |               | 11                                                        | 90522-AAB-000      | WASHER, CHAIN CASE SETTING   | 1           |
|                                                  |               | 12                                                        | 90111-187-000      | BOLT, FLANGE. 6 MM           | 3           |
|                                                  |               | 13                                                        | 51103-AAB-A00      | GUARD SAREE                  | 2           |
|                                                  |               | 14                                                        | 40550-AAB-A00      | GUARD LOWER FINAL DRIVE      | 1           |
|                                                  |               | 15                                                        | 91071-KVN-900      | BRG, NEEDLE 20X26X20         | 2           |

## F-19 CUSHION REAR

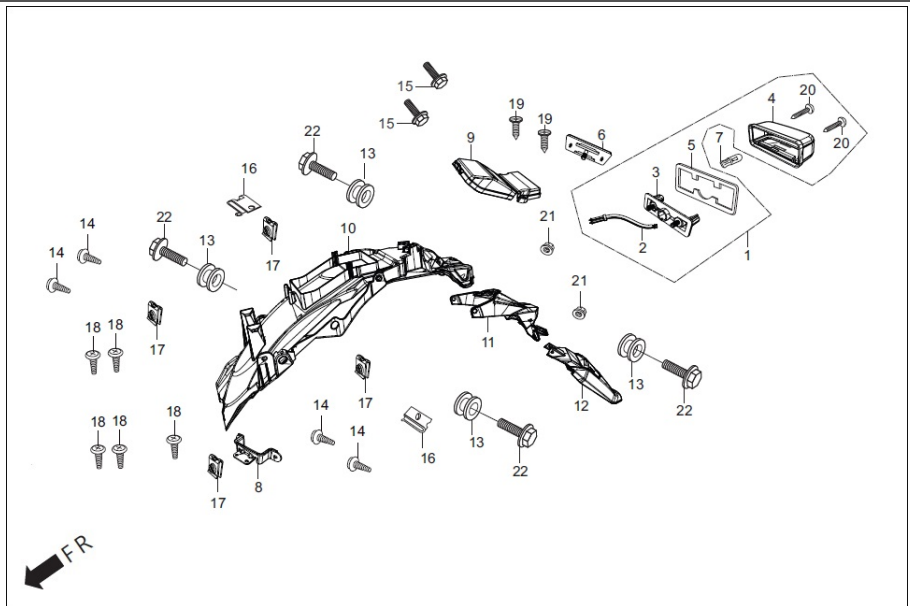


| Service Item                            | F.R.T.    |
|-----------------------------------------|-----------|
| * CUSHION ASSY., REAR<br>(ONE OR ALL)   | 0.2<br>-- |
| * DAMPER COMP., REAR.<br>(ADD FOR EACH) | 0.4<br>-- |

**Group Number:** F-19 Model :: Hunk 200R (Aug, 2018)

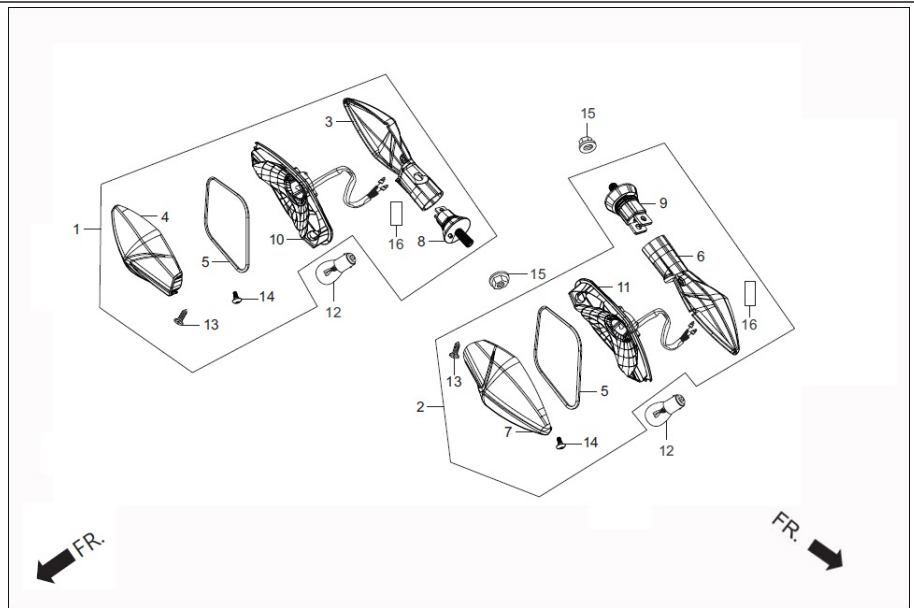
| Ref No. | Part Number   | Description       | Req. |
|---------|---------------|-------------------|------|
| 1       | 52400-AAB-A02 | CUSHION ASSY REAR | 1    |
| 2       | 90154-AAB-A00 | BOLT FLANGE 10X55 | 1    |
| 3       | 90159-AAB-A00 | BOLT FLANGE 10X50 | 1    |
| 4       | 90304-KST-942 | NUT FLG.PT 10MM   | 2    |

# F-20 REAR FENDER



| <b>Service Item</b>  | <b>F.R.T.</b> | <b>Group Number: F-20 Model :: Hunk 200R (Aug, 2018)</b> |                    |                          |             |
|----------------------|---------------|----------------------------------------------------------|--------------------|--------------------------|-------------|
|                      |               | <b>Ref No.</b>                                           | <b>Part Number</b> | <b>Description</b>       | <b>Req.</b> |
| * COVER, TOOL BOX    | 0.5           | 1                                                        | 3372B-AAB-C01      | LIGHT ASSY LICENSE       | 1           |
| * FENDER COMP., REAR | 0.6           | 2                                                        | 33721-AAB-C01      | SOCKET COMP              | 1           |
|                      |               | 3                                                        | 33722-AAG-00099    | BASE COMP                | 1           |
|                      |               | 4                                                        | 33723-AAG-00099    | COVER COMP               | 1           |
|                      |               | 5                                                        | 33729-MCZ-003      | PACKING, LENS            | 1           |
|                      |               | 6                                                        | 33743-AAR-001      | REFLEX REFLECTOR SIDE    | 1           |
|                      |               | 7                                                        | 34351-AAB-401      | BULB (12VW5W) E MARK     | 1           |
|                      |               | 8                                                        | 50186-AAB-A00      | RR FENDER STAY           | 1           |
|                      |               | 9                                                        | 80102-AAB-A00      | COVER TOOL BOX           | 1           |
|                      |               | 10                                                       | 80120-AAB-A00      | REAR FENDER A            | 1           |
|                      |               | 11                                                       | 80130-AAB-A00      | REAR FENDER B            | 1           |
|                      |               | 12                                                       | 80150-AAB-A00      | REAR FENDER C            | 1           |
|                      |               | 13                                                       | 83551-GE2-000      | GROMMET, AIR CLENER CASE | 4           |
|                      |               | 14                                                       | 90101-GE0-000      | SCREW, HINGE PATCH       | 4           |
|                      |               | 15                                                       | 90111-187-000      | BOLT, FLANGE. 6 MM       | 2           |
|                      |               | 16                                                       | 90311-MT3-000      | NUT, CLIP, 6 MM          | 2           |
|                      |               | 17                                                       | 90320-GC3-000      | NUT, SPRING, M5          | 4           |
|                      |               | 18                                                       | 93903-24380        | SCREW TAPPING, 4 X 12    | 5           |
|                      |               | 19                                                       | 93903-25210        | SCREW, TAPPING, 5X12     | 2           |
|                      |               | 20                                                       | 93903-34380        | SCREW, TAPPING, 4X12     | 2           |
|                      |               | 21                                                       | 94050-05000        | NUT FLANGE, 5 MM         | 2           |
|                      |               | 22                                                       | 95701-06016-00     | BOLT, FLANGE, 6X16       | 4           |

**F-21**  
FRONT WINKER

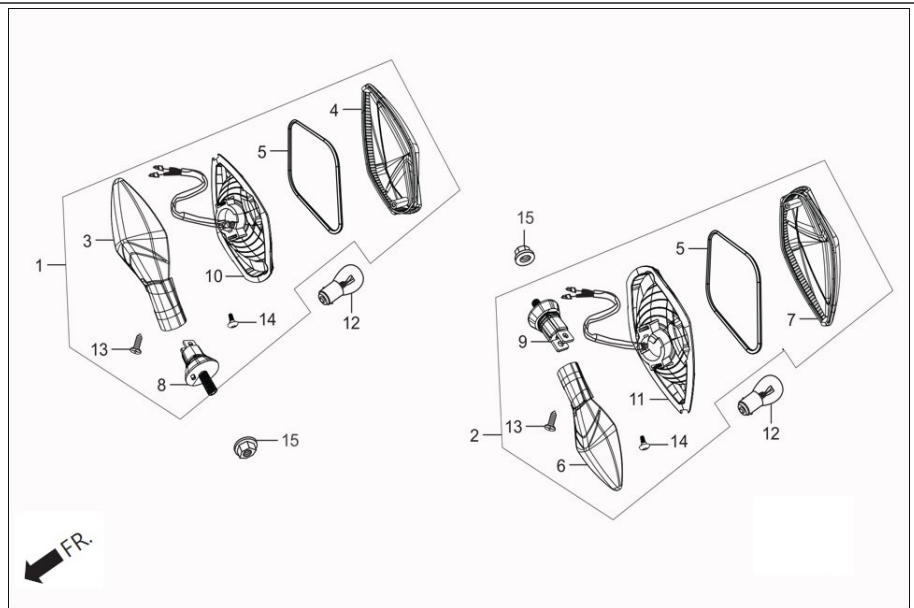


| <b>Service Item</b>         | <b>F.R.T.</b> | <b>Group Number: F-21 Model :: Hunk 200R (Aug, 2018)</b> |                    |                            |             |
|-----------------------------|---------------|----------------------------------------------------------|--------------------|----------------------------|-------------|
|                             |               | <b>Ref No.</b>                                           | <b>Part Number</b> | <b>Description</b>         | <b>Req.</b> |
| * WINKER ASSY., R/L FR      | 0.2           | 1                                                        | 3340B-AAB-C01      | WINKER ASSY R FR           | 1           |
| (ADD FOR EACH.)             | --            | 2                                                        | 3345B-AAB-C01      | WINKER ASSY L FR           | 1           |
| (INC. RELATIVE PART)        | --            | 3                                                        | 33401-AAR-001      | HOUSING R                  | 1           |
| * WINKER ASSY., R/L RR.     | 0.3           | 4                                                        | 33402-AAS-001      | LENS, RIGHT                | 1           |
| (ADD FOR EACH.)             | --            | 5                                                        | 33408-AAR-001      | PACKING                    | 2           |
| (INC. RELATIVE PART)        | --            | 6                                                        | 33451-AAR-001      | HOUSING L                  | 1           |
| (EXC. RELATED PARTS BELOW)  | --            | 7                                                        | 33452-AAS-001      | LENS, LEFT                 | 1           |
| * BULB, WINKER              | 0.1           | 8                                                        | 33491-ABW-001      | STAY COMP WINKER R         | 1           |
| (WHEN SERVICING COMP., UNIT | --            | 9                                                        | 33496-ABW-001      | STAY COMP WINKER L         | 1           |
| F.R.T. IS)                  | --            | 10                                                       | 33405-AAB-C01      | REFLECTOR COMP. R          | 1           |
|                             |               | 11                                                       | 33455-AAB-C01      | REFLECTOR COMP. L          | 1           |
|                             |               | 12                                                       | 34908-AAB-401      | BULB (12V10W) AMBER E MARK | 2           |
|                             |               |                                                          | 34930-AAC-700      | BULB(12V 10W) AMBER        | 2           |
|                             |               |                                                          | 34930-AAC-700      | BULB(12V 10W) AMBER        | 2           |
|                             |               | 13                                                       | 90380-AAR-001      | SCREW SPECIAL              | 2           |
|                             |               | 14                                                       | 93901-AAR-001      | ST. SCREW 3X10             | 2           |
|                             |               | 15                                                       | 94050-08000        | NUT, FLANGE, 8MM           | 2           |
|                             |               | 16                                                       | 90124-AAB-A01      | COLLAR WINKER              | 2           |



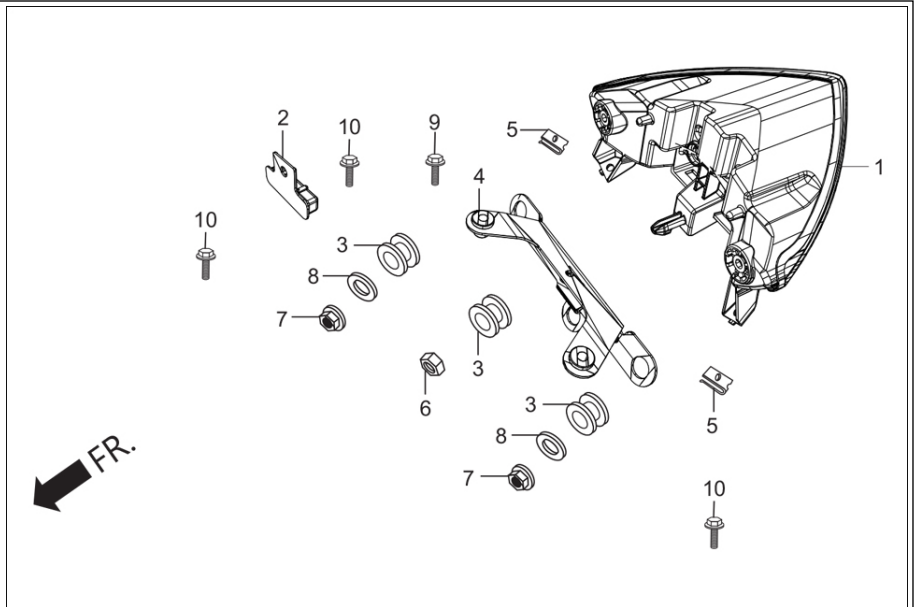
# F-21A

REAR WINKER



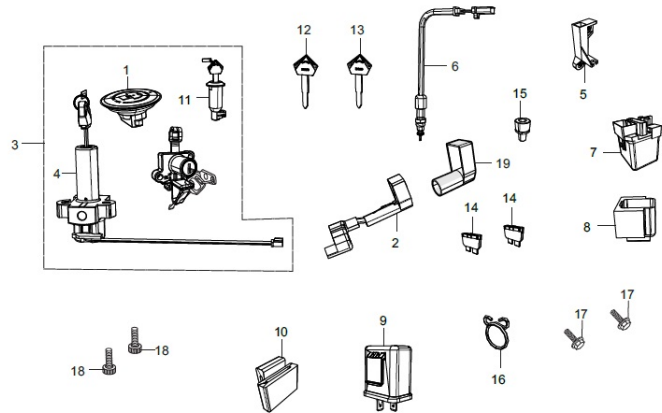
| <b>Service Item</b>         | <b>F.R.T.</b> | <b>Group Number: F-21A Model :: Hunk 200R (Aug, 2018)</b> |                    |                            |             |
|-----------------------------|---------------|-----------------------------------------------------------|--------------------|----------------------------|-------------|
|                             |               | <b>Ref No.</b>                                            | <b>Part Number</b> | <b>Description</b>         | <b>Req.</b> |
| * WINKER ASSY., R/L FR      | 0.2           | 1                                                         | 3360B-AAB-C01      | WINKER ASSY R RR           | 1           |
| (ADD FOR EACH.)             | --            | 2                                                         | 3365B-AAB-C01      | WINKER ASSY L RR           | 1           |
| (INC. RELATIVE PART)        | --            | 3                                                         | 33401-AAR-001      | HOUSING R                  | 1           |
| * WINKER ASSY., R/L RR.     | 0.3           | 4                                                         | 33402-AAS-001      | LENS, RIGHT                | 1           |
| (ADD FOR EACH.)             | --            | 5                                                         | 33408-AAR-001      | PACKING                    | 2           |
| (INC. RELATIVE PART)        | --            | 6                                                         | 33451-AAR-001      | HOUSING L                  | 1           |
| (EXC. RELATED PARTS BELOW)  | --            | 7                                                         | 33452-AAS-001      | LENS, LEFT                 | 1           |
| * BULB, WINKER              | 0.1           | 8                                                         | 33491-ABW-001      | STAY COMP WINKER R         | 1           |
| (WHEN SERVICING COMP., UNIT | --            | 9                                                         | 33496-ABW-001      | STAY COMP WINKER L         | 1           |
| F.R.T. IS)                  | --            | 10                                                        | 33605-AAB-C01      | REFLECTOR COMP R           | 1           |
|                             |               | 11                                                        | 33655-AAB-C01      | REFLECTOR COMP L           | 1           |
|                             |               | 12                                                        | 34908-AAB-401      | BULB (12V10W) AMBER E MARK | 2           |
|                             |               |                                                           | 34930-AAC-700      | BULB(12V 10W) AMBER        | 2           |
|                             |               |                                                           | 34930-AAC-700      | BULB(12V 10W) AMBER        | 2           |
|                             |               | 13                                                        | 90380-AAR-001      | SCREW SPECIAL              | 2           |
|                             |               | 14                                                        | 93901-AAR-001      | ST. SCREW 3X10             | 2           |
|                             |               | 15                                                        | 94050-08000        | NUT, FLANGE, 8MM           | 2           |

**F-22**  
TAIL LIGHT



| <b>Service Item</b>       | <b>F.R.T.</b> | <b>Group Number: F-22 Model :: Hunk 200R (Aug, 2018)</b> |                    |                         |             |
|---------------------------|---------------|----------------------------------------------------------|--------------------|-------------------------|-------------|
|                           |               | <b>Ref No.</b>                                           | <b>Part Number</b> | <b>Description</b>      | <b>Req.</b> |
| * UNIT, TAIL LIGHT.       | 0.2           | 1                                                        | 33700-AAB-A01      | UNIT TAIL LIGHT         | 1           |
| * LENS COMP., TAIL LIGHT  | --            | 2                                                        | 35400-KRY-970      | RESISTOR COMP.          | 1           |
| * BASE COMP., TAIL LGHT   | --            | 3                                                        | 77209-KAG-900      | RUBBER, SEAT STAY MOUNT | 3           |
| * BULB, TAIL & STOP LIGHT | 0.1           | 4                                                        | 77232-AAB-A00      | BRKT TAIL LIGHT ASSY    | 1           |
| * STAY, TAIL LIGHT        | --            | 5                                                        | 90677-KAN-961      | NUT CLIP 5MM            | 2           |
|                           |               | 6                                                        | 94001-05070-0S     | NUT HEX. 5MM            | 1           |
|                           |               | 7                                                        | 94050-06000        | NUT, FLANGE, 6 MM       | 2           |
|                           |               | 8                                                        | 94103-06000        | WASHER PLAIN,6MM        | 2           |
|                           |               | 9                                                        | 95701-06012-00     | BOLT, FLANGE, 6X12      | 1           |
|                           |               | 10                                                       | 95701-06025-08     | BOLT FLANGE 6X25        | 2           |

**F-23**  
SWITCH ASSY ./ RELAY / LOCK ASSY. /  
KEY BLANK

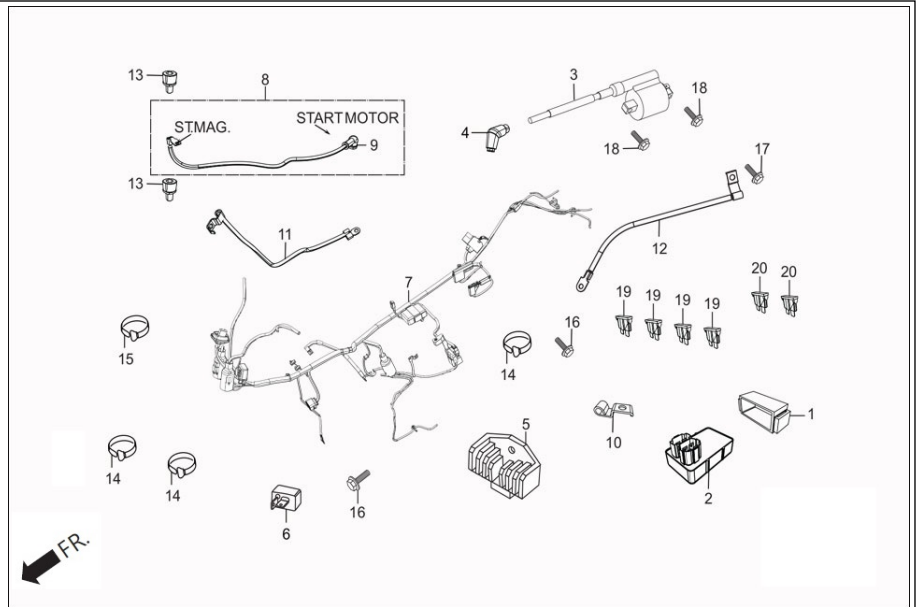


← FR.

| Service Item           | F.R.T. |
|------------------------|--------|
| * UNIT COMP., CDI      | 0.4    |
| * COIL ASSY., IGNITION | --     |
| * REG. REC. COMP       | 0.6    |
| * HARNESS, WIRE        | 1      |

| Group Number: F-23 Model :: Hunk 200R (Aug, 2018) |                |                          |      |  |
|---------------------------------------------------|----------------|--------------------------|------|--|
| Ref No.                                           | Part Number    | Description              | Req. |  |
| 1                                                 | 17620-AAB-H61  | CAP COMP FUEL FILLER     | 1    |  |
| 2                                                 | 32401-AAB-A00  | CABLE ST MAG BATT        | 1    |  |
| 3                                                 | 35010-AAB-A01  | KEY SET                  | 1    |  |
| 4                                                 | 35100-AAB-A01  | SW ASSY COMB & LOCK      | 1    |  |
| 5                                                 | 35140-AAB-102  | SIDE STAND SWITCH        | 1    |  |
| 6                                                 | 35350-KVE-930A | SWITCH ASSY, REAR STOP   | 1    |  |
| 7                                                 | 35850-AAM-H01  | SW ASSY. START MAG       | 1    |  |
| 8                                                 | 35856-AAB-A00  | RUBBER SHOCK             | 1    |  |
| 9                                                 | 38301-AAJ-102  | RELAY COMP. WINKER       | 1    |  |
| 10                                                | 38306-GE7-000  | SUSPENSION, WINKER RELAY | 1    |  |
| 11                                                | 77239-AAB-H61  | KEY SEAT LOCK            | 1    |  |
| 12                                                | 35121-AAB-A01  | KEY BLANK NO 1           | 1    |  |
| 13                                                | 35122-AAB-A01  | KEY BLANK NO 2           | 1    |  |
| 14                                                | 98200-32000    | BLADE, FUSE, 20A         | 2    |  |
| 15                                                | 90111-MR5-000  | BOLT, SOCKET, 5X9        | 1    |  |
| 16                                                | 90601-KAF-003  | CLIP, SW. COVER          | 1    |  |
| 17                                                | 95701-05016-00 | BOLT FLANGE 5X16         | 2    |  |
| 18                                                | 96600-08025-00 | SOCKET, BOLT, 8 X 25     | 2    |  |
| 19                                                | 32414-KVN-970  | COVER,BAT TERMINAL       | 1    |  |

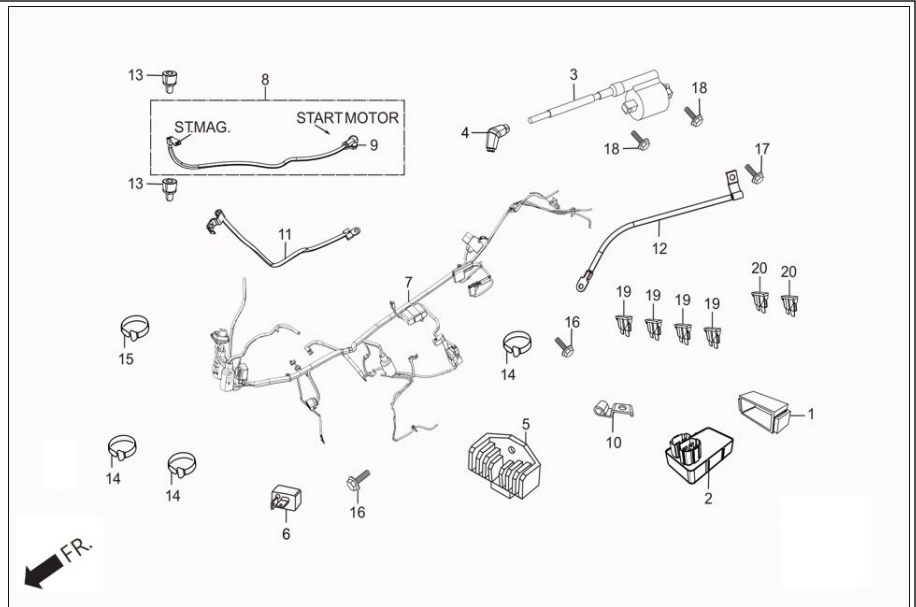
**F-24-ABS**  
ELECTRICALS (WIRE HARNESS/START  
CABLES)



| <b>Service Item</b>    | <b>F.R.T.</b> | <b>Group Number: F-24-ABS Model :: Hunk 200R (Aug, 2018)</b> |                    |                           |             |
|------------------------|---------------|--------------------------------------------------------------|--------------------|---------------------------|-------------|
|                        |               | <b>Ref No.</b>                                               | <b>Part Number</b> | <b>Description</b>        | <b>Req.</b> |
| * UNIT COMP., CDI      | 0.4           | 1                                                            | 30401-AAB-A01      | CUSHION CDI UNIT          | 1           |
| * COIL ASSY., IGNITION | --            | 2                                                            | 30410-AAB-A01      | UNIT COMP DIGITAL DC CDI  | 1           |
| * REG. REC. COMP       | 0.6           | 3                                                            | 30500-AAB-H61      | COIL ASSY IGN             | 1           |
| * HARNESS, WIRE        | 1.0           | 4                                                            | 30700-KWA-831      | CAP ASSY,NOISE SUPPRESSOR | 1           |
|                        |               | 5                                                            | 31600-KWS-901      | REG RECT COMP             | 1           |
|                        |               | 6                                                            | 31700-124-000      | RECTIFIER ASSY., SILICON  | 1           |
|                        |               | 7                                                            | 32100-AAB-A00      | HARNESS WIRE              | 1           |
|                        |               | 8                                                            | 32410-AAB-A00      | CABLE START MOTOR         | 1           |
|                        |               | 9                                                            | 32411-253-000      | COVER, STARTING MOTOR     | 1           |
|                        |               | 10                                                           | 32413-KRY-970      | TERMINAL, BAT CABLE       | 1           |
|                        |               | 11                                                           | 32601-AAB-A00      | CABLE BAT EARTH           | 1           |
|                        |               | 12                                                           | 32602-AAB-A00      | CABLE ENG EARTH           | 1           |
|                        |               | 13                                                           | 90111-MR5-000      | BOLT, SOCKET, 5X9         | 2           |
|                        |               | 14                                                           | 91540-AAN-410      | CLIP, BAND HARN           | 3           |
|                        |               | 15                                                           | 91551-AAB-100      | BAND, CLAMP               | 1           |
|                        |               | 16                                                           | 95701-06014-18     | BOLT, FLANGE, 6 X 14      | 1           |
|                        |               | 17                                                           | 96001-06016-00     | BOLT, FLANGE SH. 6 X 16   | 1           |
|                        |               | 18                                                           | 96001-06020-00     | BOLT, FLANGE, SH. 6 X 20  | 2           |
|                        |               | 19                                                           | 98200-31000        | BLADE, FUSE 10A           | 4           |
|                        |               | 20                                                           | 98200-31500        | BLADE, FUSE, 15A          | 2           |

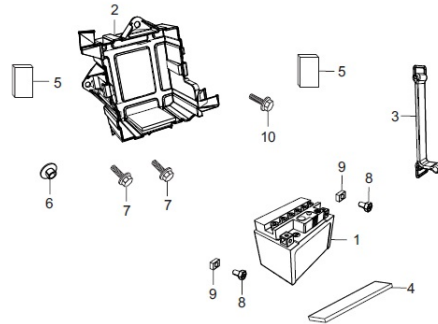


**F-24-WO-ABS**  
ELECTRICALS (WIRE HARNESS/START  
CABLES)



| <b>Service Item</b>    | <b>F.R.T.</b> | <b>Group Number: F-24-WO-ABS Model :: Hunk 200R (Aug, 2018)</b> |                    |                           |             |
|------------------------|---------------|-----------------------------------------------------------------|--------------------|---------------------------|-------------|
|                        |               | <b>Ref No.</b>                                                  | <b>Part Number</b> | <b>Description</b>        | <b>Req.</b> |
| * UNIT COMP., CDI      | 0.4           | 1                                                               | 30401-AAB-A01      | CUSHION CDI UNIT          | 1           |
| * COIL ASSY., IGNITION | --            | 2                                                               | 30410-AAB-A01      | UNIT COMP DIGITAL DC CDI  | 1           |
| * REG. REC. COMP       | 0.6           | 3                                                               | 30500-AAB-H61      | COIL ASSY IGN             | 1           |
| * HARNESS, WIRE        | 1.0           | 4                                                               | 30700-KWA-831      | CAP ASSY,NOISE SUPPRESSOR | 1           |
|                        |               | 5                                                               | 31600-KWS-901      | REG RECT COMP             | 1           |
|                        |               | 6                                                               | 31700-124-000      | RECTIFIER ASSY., SILICON  | 1           |
|                        |               | 7                                                               | 32100-AAB-A20      | HARNESS WIRE              | 1           |
|                        |               | 8                                                               | 32410-AAB-A00      | CABLE START MOTOR         | 1           |
|                        |               | 9                                                               | 32411-253-000      | COVER, STARTING MOTOR     | 1           |
|                        |               | 10                                                              | 32413-KRY-970      | TERMINAL, BAT CABLE       | 1           |
|                        |               | 11                                                              | 32601-AAB-A00      | CABLE BAT EARTH           | 1           |
|                        |               | 12                                                              | 32602-AAB-A00      | CABLE ENG EARTH           | 1           |
|                        |               | 13                                                              | 90111-MR5-000      | BOLT, SOCKET, 5X9         | 2           |
|                        |               | 14                                                              | 91540-AAN-410      | CLIP, BAND HARN           | 3           |
|                        |               | 15                                                              | 91551-AAB-100      | BAND, CLAMP               | 1           |
|                        |               | 16                                                              | 95701-06014-18     | BOLT, FLANGE, 6 X 14      | 1           |
|                        |               | 17                                                              | 96001-06016-00     | BOLT, FLANGE SH. 6 X 16   | 1           |
|                        |               | 18                                                              | 96001-06020-00     | BOLT, FLANGE, SH. 6 X 20  | 2           |
|                        |               | 19                                                              | 98200-31000        | BLADE, FUSE 10A           | 4           |
|                        |               | 20                                                              | 98200-31500        | BLADE, FUSE, 15A          | 2           |

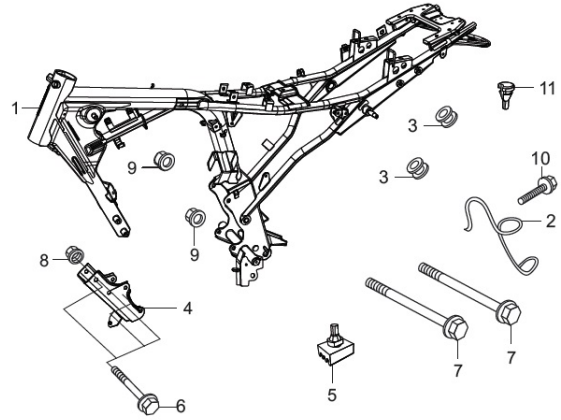
**F-24B**  
BATTERY ASSY.



FR. 

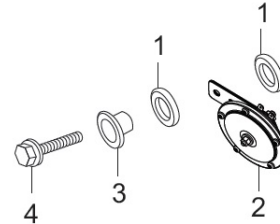
| <b>Service Item</b> | <b>F.R.T.</b> | <b>Group Number: F-24B Model :: Hunk 200R (Aug, 2018)</b> |                    |                       |             |
|---------------------|---------------|-----------------------------------------------------------|--------------------|-----------------------|-------------|
|                     |               | <b>Ref No.</b>                                            | <b>Part Number</b> | <b>Description</b>    | <b>Req.</b> |
| * BAND, BATTERY     | 0.1           | 1                                                         | 31500-KRP-801      | BATTERY ASSY          | 1           |
| * BATTERY           | 0.2           | 2                                                         | 1723A-AAB-A00      | BOX BATTERY ASSY      | 1           |
|                     |               | 3                                                         | 50327-AAB-A00      | BAND BATTERY          | 1           |
|                     |               | 4                                                         | 83403-AAB-A000-20  | CUSHION BATTERY 1     | 1           |
|                     |               | 5                                                         | 83403-AAB-A000-21  | CUSHION BATTERY 2     | 2           |
|                     |               | 6                                                         | 61107-KK6-000      | WASHER, 6MM           | 1           |
|                     |               | 7                                                         | 90111-187-000      | BOLT, FLANGE. 6 MM    | 2           |
|                     |               | 8                                                         | 90122-KVT-941      | BOLT BATTERY TERMINAL | 2           |
|                     |               | 9                                                         | 90306-KVT-941      | NUT BATTERY TERMINAL  | 2           |
|                     |               | 10                                                        | 95701-06018-00     | BOLT FLANGE 6X18      | 1           |

**F-25**  
FRAME BODY



| <b>Service Item</b>        | <b>F.R.T.</b> | <b>Group Number: F-25 Model :: Hunk 200R (Aug, 2018)</b> |                    |                          |             |
|----------------------------|---------------|----------------------------------------------------------|--------------------|--------------------------|-------------|
| * PLATE, FR. ENGINE HANGER | 0.2           | <b>Ref No.</b>                                           | <b>Part Number</b> | <b>Description</b>       | <b>Req.</b> |
| * BODY COMP., FRAME        | *5.5          | 1                                                        | 50100-AAB-A00      | FRAME BODY COMP          | 1           |
| * VALVE ASSY., AIR SUCTION | 0.4           | 2                                                        | 50296-KVE-900      | GUIDE DRAIN HOSE         | 1           |
| * HORN COMP.               | 0.1           | 3                                                        | 50328-KVN-900      | RUBBER, TANK MTG.        | 2           |
|                            |               | 4                                                        | 5035A-AAB-A00      | PLATE FR ENG HANGER ASSY | 1           |
|                            |               | 5                                                        | 50505-KCC-900      | STOPPER RUBBER, A STAND  | 1           |
|                            |               | 6                                                        | 95801-08085-00     | BOLT, FLANGE, 8X85       | 3           |
|                            |               | 7                                                        | 90019-399-010      | BOLT, FLANGE, 10 X 110   | 2           |
|                            |               | 8                                                        | 94050-08000        | NUT, FLANGE, 8MM         | 3           |
|                            |               | 9                                                        | 94050-10000        | NUT, FLANGE, 10MM        | 2           |
|                            |               | 10                                                       | 95701-06012-07     | BOLT, FLANGE, 6X12       | 1           |
|                            |               | 11                                                       | 50137-AAR-000      | PLUG CABLE RETENTION     | 1           |

**F-25A**  
HORN ASSY.

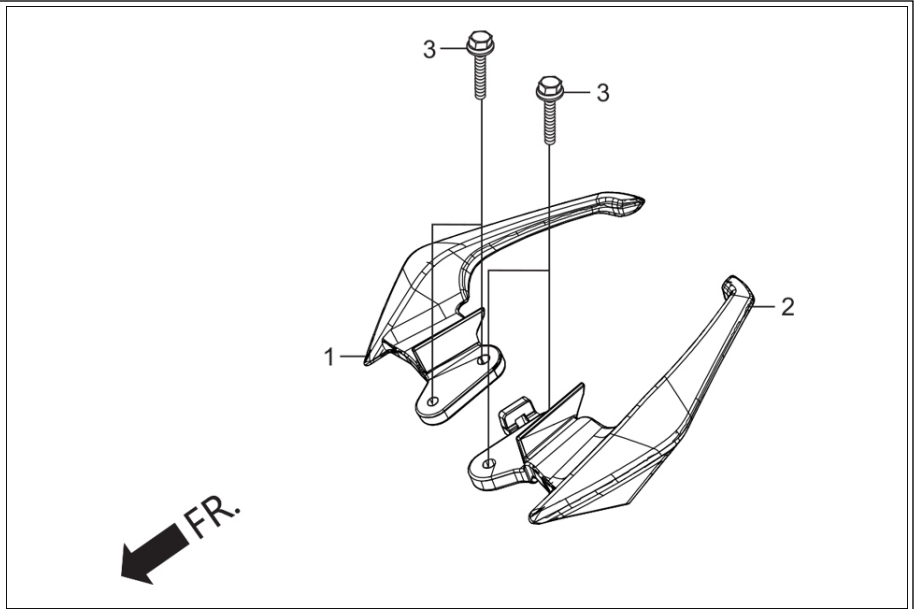


| Service Item               | F.R.T. |
|----------------------------|--------|
| * PLATE, FR. ENGINE HANGER | 0.2    |
| * BODY COMP., FRAME        | *5.5   |
| * VALVE ASSY., AIR SUCTION | 0.4    |
| * HORN COMP.               | 0.1    |

**Group Number: F-25A Model :: Hunk 200R (Aug, 2018)**

| Ref No. | Part Number    | Description          | Req. |
|---------|----------------|----------------------|------|
| 1       | 33714-KL3-620  | RUBBER, TAIL LIGHT   | 2    |
| 2       | 38110-AAB-401  | HORN COMP            | 1    |
| 3       | 38117-KFE-701  | COLLAR, HORN SET     | 1    |
| 4       | 95701-06020-07 | BOLT, FLANGE, 6 X 20 | 1    |

**F-25B**  
GRIP REAR



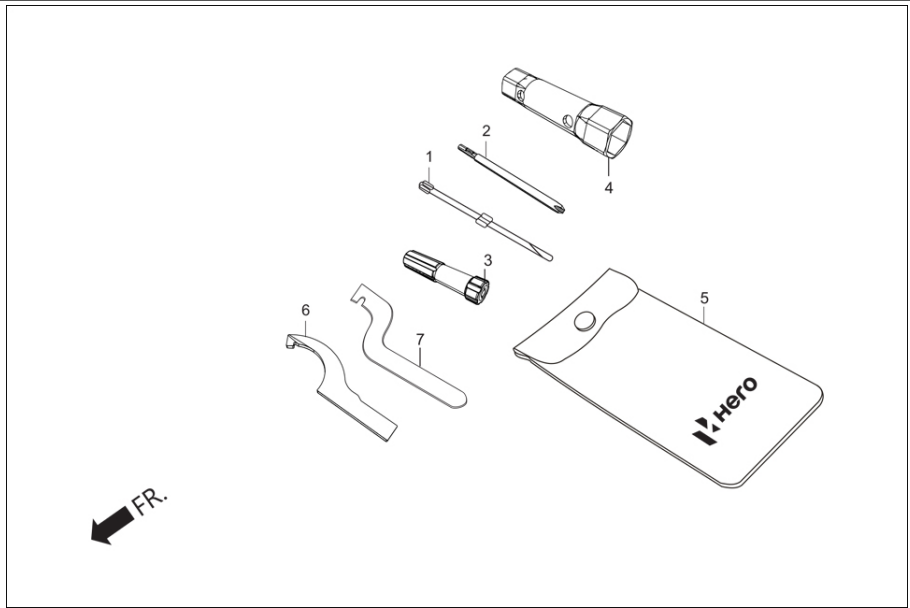
| Service Item               | F.R.T. |
|----------------------------|--------|
| * PLATE, FR. ENGINE HANGER | 0.2    |
| * BODY COMP., FRAME        | *5.5   |
| * VALVE ASSY., AIR SUCTION | 0.4    |
| * HORN COMP.,              | 0.1    |

**Group Number: F-25B Model :: Hunk 200R (Aug, 2018)**

| Ref No. | Part Number    | Description      | Req. |
|---------|----------------|------------------|------|
| 1       | 50400-AAB-A000 | GRIP R REAR      | 1    |
| 2       | 50450-AAB-A000 | GRIP L REAR      | 1    |
| 3       | 95701-08025-07 | BOLT FLANGE 8X25 | 4    |



**F-26  
TOOLS**



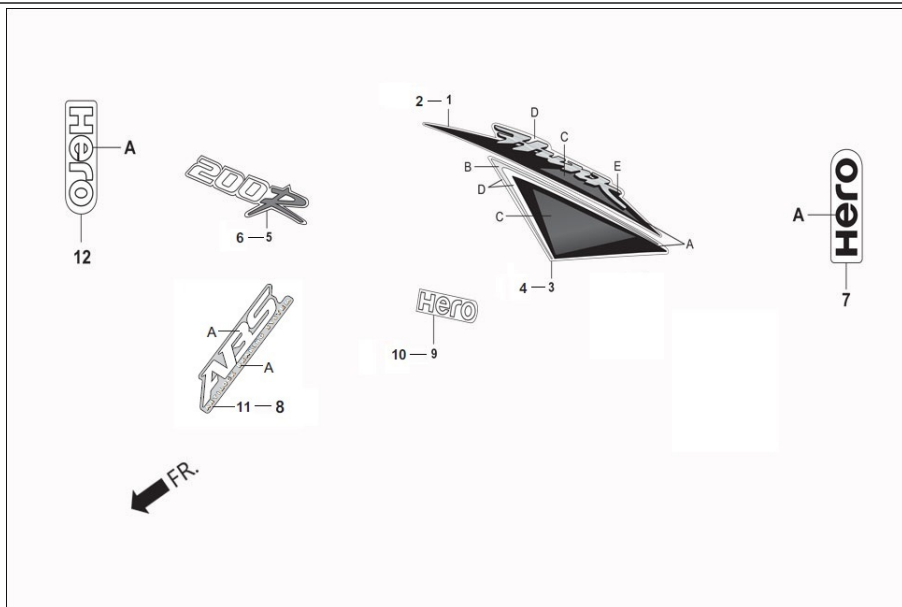
**Service Item**

**F.R.T.**

**Group Number: F-26 Model :: Hunk 200R (Aug, 2018)**

| Ref No. | Part Number   | Description                   | Req. |
|---------|---------------|-------------------------------|------|
| 1       | 89102-538-000 | SCREW, DRIVER PLUS/MINUS      | 1    |
| 2       | 89102-AAC-000 | NO.3 CROSS POINT SCREW DRIVER | 1    |
| 3       | 89103-538-000 | GRIP, SCREW DRIVER            | 1    |
| 4       | 89215-AAC-000 | BOX WRENCH P16X14             | 1    |
| 5       | 89216-AAD-H00 | TOOL BAG                      | 1    |
| 6       | 99006-AAB-A00 | HANDLE PIN SPANNER            | 1    |
| 7       | 99007-AAB-A00 | PIN SPANNER                   | 1    |

**F-27-ABS**  
**STRIPE/ MARKS**



Service Item

F.R.T.

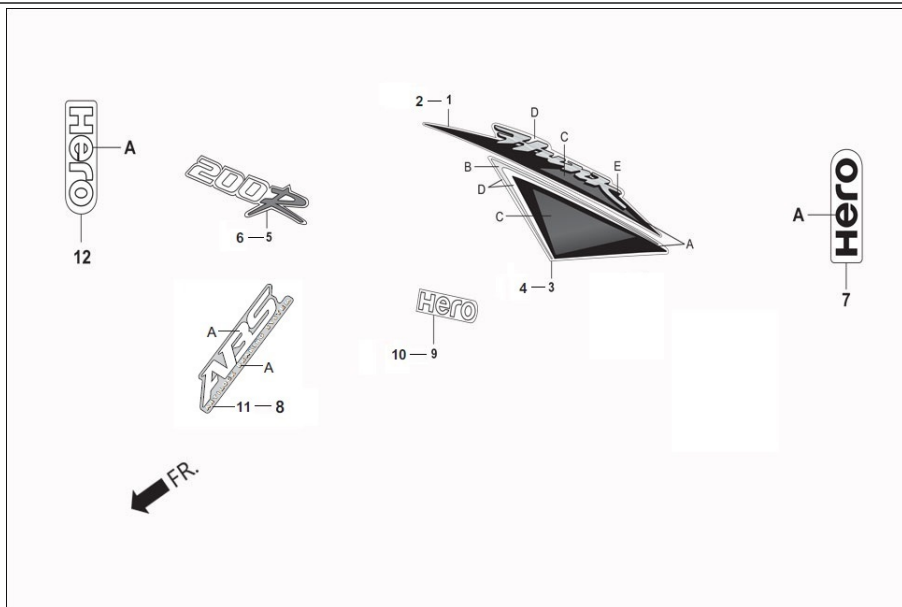
Group Number: F-27-ABS Model :: Hunk 200R (Aug, 2018)

| Ref No. | Part Number    | Description                 | Req. |
|---------|----------------|-----------------------------|------|
| 1       | 86273-ABF-100R | STRIPE A, R SHROUD (TYPE-1) | 1    |
|         | 86273-ABF-100S | STRIPE A, R SHROUD (TYPE-2) | 1    |
|         | 86273-AAB-C00R | STRIPE A, R SHROUD (TYPE-1) | 1    |
|         | 86273-ABF-100U | STRIPE A, R SHROUD (TYPE-3) | 1    |

**SPECIFIED COLOUR CHART FOR, STRIPE A, R SHROUD**

| SPECIFIED<br>COLOUR<br>TYPE | A          | B          | C                             | D                 | E              | MAIN BODY COLOUR            |
|-----------------------------|------------|------------|-------------------------------|-------------------|----------------|-----------------------------|
| 1                           | NH-1 BLACK | ROSS WHITE | SPORTS RED                    | SPORTS RED        | NH-1 BLACK     | SPORTS RED (R-321)          |
| 2                           | SPORTS RED | ROSS WHITE | NH-1 BLACK                    | NH-1 BLACK        | HEAVY GREY ME. | BLACK (NH-1)                |
| 1                           | CSPL 0087  | SPORTS RED | MAT AXIS GREY ME.<br>(GLOSSY) | MAT AXIS GREY ME. | NH-1 BLACK     | MAT AXIS GRAY ME. (NH-303M) |
| 3                           | NH-1 BLACK | ROSS WHITE | TECHNO BLUE ME.               | TECHNO BLUE ME.   | NH-1 BLACK     | TECHNO BLUE ME. (BL-002M)   |

**F-27-ABS**  
**STRIPE/ MARKS**



**Service Item**

**F.R.T.**

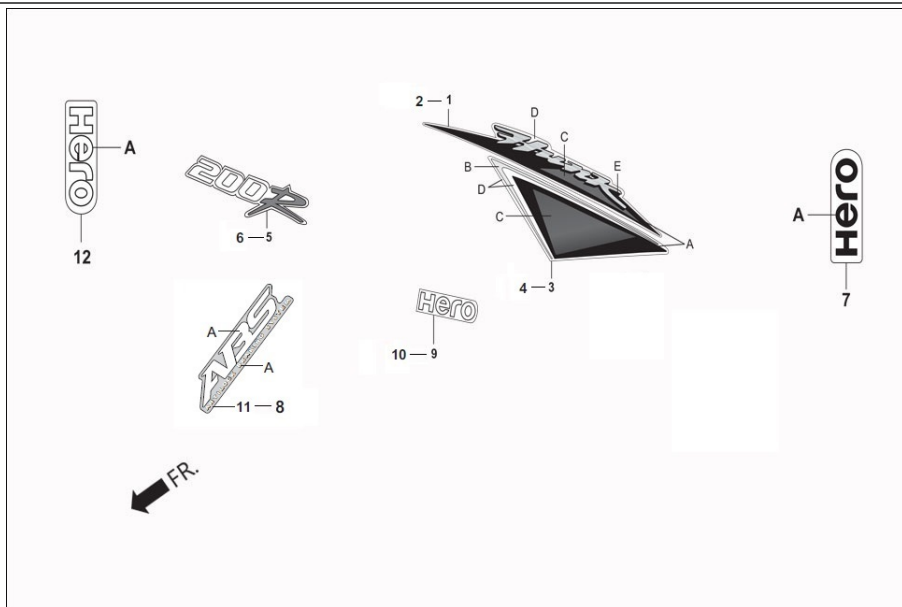
**Group Number: F-27-ABS Model :: Hunk 200R (Aug, 2018)**

| Ref No. | Part Number    | Description                 | Req. |
|---------|----------------|-----------------------------|------|
| 2       | 86274-ABF-100R | STRIPE A, L SHROUD (TYPE-1) | 1    |
|         | 86274-ABF-100S | STRIPE A, L SHROUD (TYPE-2) | 1    |
|         | 86274-AAB-C00R | STRIPE A, L SHROUD (TYPE-1) | 1    |
|         | 86274-ABF-100U | STRIPE A, L SHROUD (TYPE-3) | 1    |

**SPECIFIED COLOUR CHART FOR, STRIPE A, L SHROUD**

| SPECIFIED<br>COLOUR<br>TYPE | A          | B          | C                             | D                 | E              | MAIN BODY COLOUR            |
|-----------------------------|------------|------------|-------------------------------|-------------------|----------------|-----------------------------|
| 1                           | NH-1 BLACK | ROSS WHITE | SPORTS RED                    | SPORTS RED        | NH-1 BLACK     | SPORTS RED (R-321)          |
| 2                           | SPORTS RED | ROSS WHITE | NH-1 BLACK                    | NH-1 BLACK        | HEAVY GREY ME. | BLACK (NH-1)                |
| 1                           | CSPL 0087  | SPORTS RED | MAT AXIS GREY ME.<br>(GLOSSY) | MAT AXIS GREY ME. | NH-1 BLACK     | MAT AXIS GRAY ME. (NH-303M) |
| 3                           | NH-1 BLACK | ROSS WHITE | TECHNO BLUE ME.               | TECHNO BLUE ME.   | NH-1 BLACK     | TECHNO BLUE ME. (BL-002M)   |

**F-27-ABS**  
**STRIPE/ MARKS**



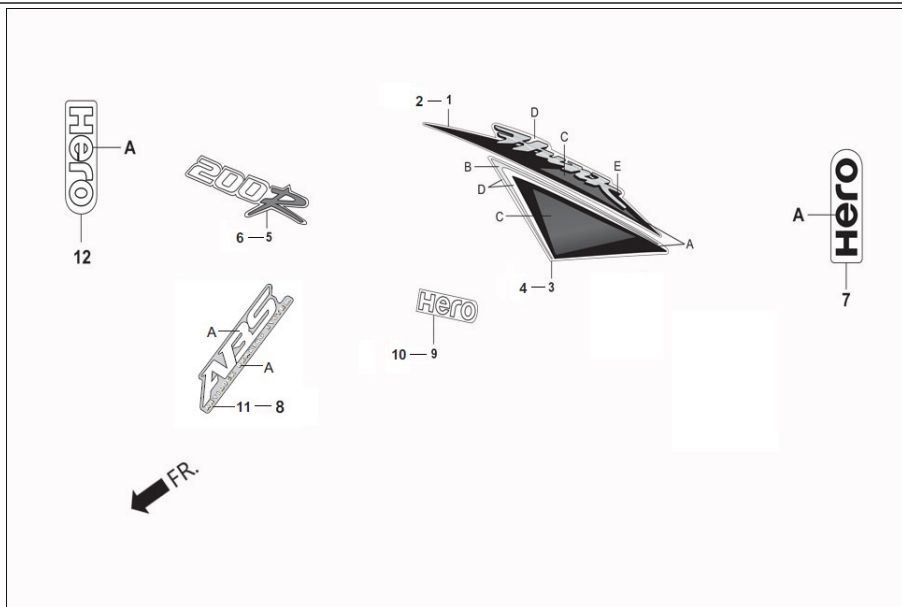
|              |        |
|--------------|--------|
| Service Item | F.R.T. |
|--------------|--------|

| Group Number: F-27-ABS Model :: Hunk 200R (Aug, 2018) |                |                             |      |
|-------------------------------------------------------|----------------|-----------------------------|------|
| Ref No.                                               | Part Number    | Description                 | Req. |
| 3                                                     | 86275-ABF-100R | STRIPE B, R SHROUD (TYPE-1) | 1    |
|                                                       | 86275-ABF-100S | STRIPE B, R SHROUD (TYPE-2) | 1    |
|                                                       | 86275-AAB-C00R | STRIPE B, R SHROUD (TYPE-1) | 1    |
|                                                       | 86275-ABF-100U | STRIPE B, R SHROUD (TYPE-3) | 1    |

**SPECIFIED COLOUR CHART FOR, STRIPE B, R SHROUD**

| SPECIFIED<br>COLOUR<br>TYPE | A          | B          | C                             | D                 | E              | MAIN BODY COLOUR            |
|-----------------------------|------------|------------|-------------------------------|-------------------|----------------|-----------------------------|
| 1                           | NH-1 BLACK | ROSS WHITE | SPORTS RED                    | SPORTS RED        | NH-1 BLACK     | SPORTS RED (R-321)          |
| 2                           | SPORTS RED | ROSS WHITE | NH-1 BLACK                    | NH-1 BLACK        | HEAVY GREY ME. | BLACK (NH-1)                |
| 1                           | CSPL 0087  | SPORTS RED | MAT AXIS GREY ME.<br>(GLOSSY) | MAT AXIS GREY ME. | NH-1 BLACK     | MAT AXIS GRAY ME. (NH-303M) |
| 3                           | NH-1 BLACK | ROSS WHITE | TECHNO BLUE ME.               | TECHNO BLUE ME.   | NH-1 BLACK     | TECHNO BLUE ME. (BL-002M)   |

**F-27-ABS**  
STRIPE/ MARKS



Service Item

F.R.T.

Group Number: F-27-ABS Model :: Hunk 200R (Aug, 2018)

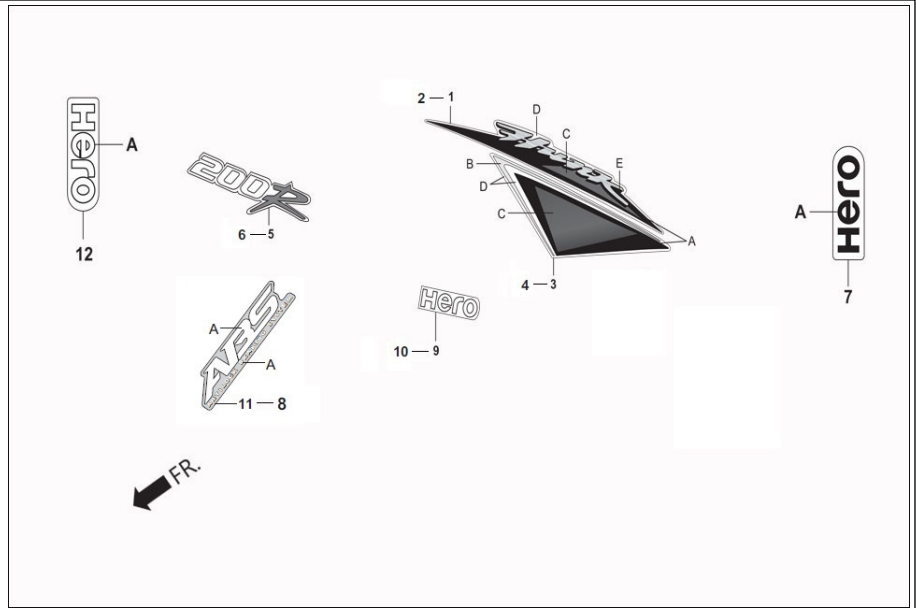
| Ref No. | Part Number    | Description                 | Req. |
|---------|----------------|-----------------------------|------|
| 4       | 86276-ABF-100R | STRIPE B, L SHROUD (TYPE-1) | 1    |
|         | 86276-ABF-100S | STRIPE B, L SHROUD (TYPE-2) | 1    |
|         | 86276-AAB-C00R | STRIPE B, L SHROUD (TYPE-1) | 1    |
|         | 86276-ABF-100U | STRIPE B, L SHROUD (TYPE-3) | 1    |



**SPECIFIED COLOUR CHART FOR, STRIPE B, L SHROUD**

| SPECIFIED<br>COLOUR<br>TYPE | A          | B          | C                             | D                 | E              | MAIN BODY COLOUR            |
|-----------------------------|------------|------------|-------------------------------|-------------------|----------------|-----------------------------|
| 1                           | NH-1 BLACK | ROSS WHITE | SPORTS RED                    | SPORTS RED        | NH-1 BLACK     | SPORTS RED (R-321)          |
| 2                           | SPORTS RED | ROSS WHITE | NH-1 BLACK                    | NH-1 BLACK        | HEAVY GREY ME. | BLACK (NH-1)                |
| 1                           | CSPL 0087  | SPORTS RED | MAT AXIS GREY ME.<br>(GLOSSY) | MAT AXIS GREY ME. | NH-1 BLACK     | MAT AXIS GRAY ME. (NH-303M) |
| 3                           | NH-1 BLACK | ROSS WHITE | TECHNO BLUE ME.               | TECHNO BLUE ME.   | NH-1 BLACK     | TECHNO BLUE ME. (BL-002M)   |

**F-27-ABS**  
**STRIPE/ MARKS**



**Service Item**

**F.R.T.**

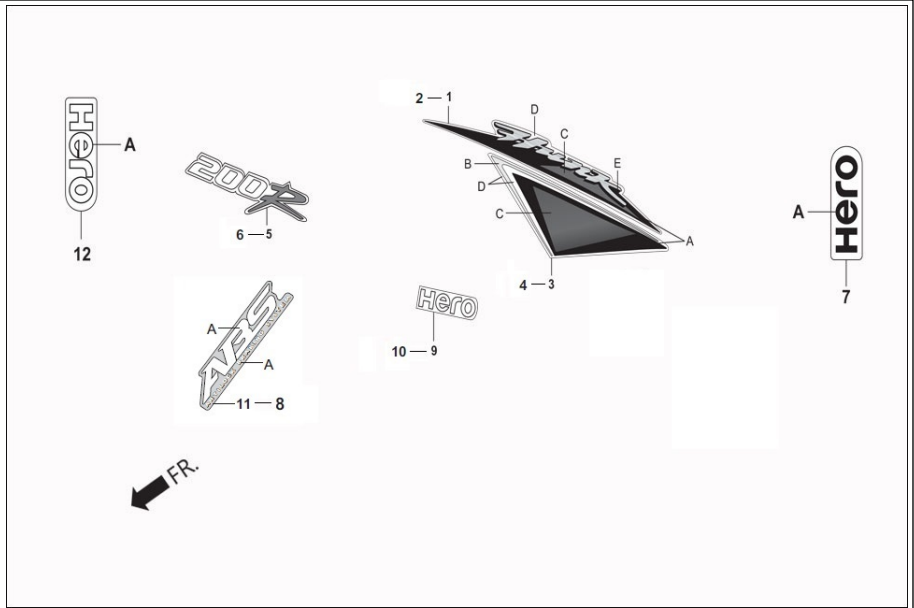
**Group Number:** F-27-ABS Model :: Hunk 200R (Aug, 2018)

| Ref No. | Part Number    | Description                  | Req. |
|---------|----------------|------------------------------|------|
| 5       | 86281-ABF-100R | STRIPE COWL R REAR (TYPE-1)  | 1    |
| 6       | 86282-ABF-100R | STRIPE COWL L REAR (TYPE-1)  | 1    |
| 7       | 86776-ABF-100R | MARK HERO FR FENDER (TYPE-1) | 1    |
|         | 86776-ABF-100S | MARK HERO FR FENDER (TYPE-2) | 1    |
|         | 86776-AAB-A00S | MARK HERO FR FENDER TY-2     | 1    |

**SPECIFIED COLOUR CHART FOR, MARK HERO FR FENDER**

| SPECIFIED COLOUR TYPE | A                   | MAIN BODY COLOUR            |
|-----------------------|---------------------|-----------------------------|
| 2                     | TRANSPARENT (MATTE) | SPORTS RED (R-321)          |
| 1                     | NH-1 BLACK          | BLACK (NH-1)                |
| 2                     | TRANSPARENT (MATTE) | MAT AXIS GRAY ME. (NH-303M) |
| 2                     | TRANSPARENT (MATTE) | TECHNO BLUE ME. (BL-002M)   |

**F-27-ABS**  
**STRIPE/ MARKS**



**Service Item**

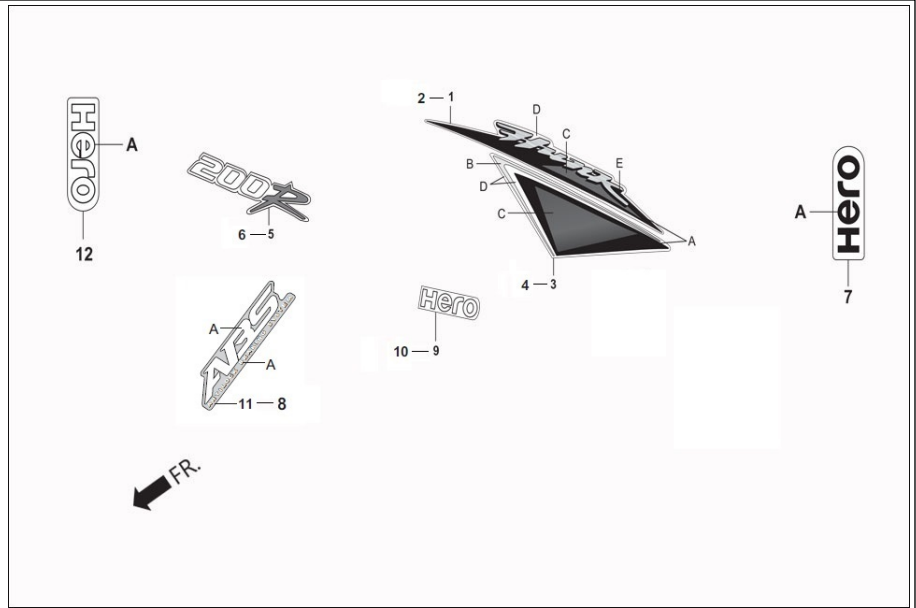
**F.R.T.**

**Group Number:** F-27-ABS Model :: Hunk 200R (Aug, 2018)

| Ref No. | Part Number    | Description                      | Req. |
|---------|----------------|----------------------------------|------|
| 8       | 86780-AAB-A00S | MARK ABS FR FENDER RH TY-2       | 1    |
|         | 86780-ABF-100R | MARK ABS FR. FENDER RH. (TYPE-1) | 1    |
|         | 86780-ABF-100S | MARK ABS FR. FENDER RH. (TYPE-2) | 1    |

| SPECIFIED COLOUR CHART FOR, MARK ABS FR FENDER RH |                     |                             |
|---------------------------------------------------|---------------------|-----------------------------|
| SPECIFIED COLOUR TYPE                             | A                   | MAIN BODY COLOUR            |
| 2                                                 | TRANSPARENT (MATTE) | SPORTS RED (R-321)          |
| 1                                                 | NH-1 BLACK          | BLACK (NH-1)                |
| 1                                                 | NH-1 BLACK          | MAT AXIS GRAY ME. (NH-303M) |
| 2                                                 | TRANSPARENT (MATTE) | TECHNO BLUE ME. (BL-002M)   |

**F-27-ABS**  
**STRIPE/ MARKS**



**Service Item**

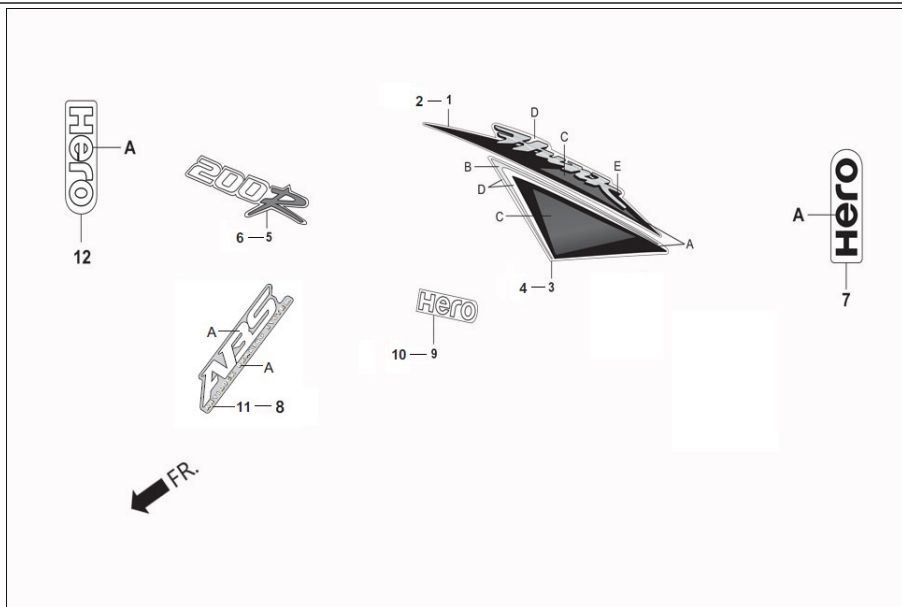
**F.R.T.**

**Group Number:** F-27-ABS Model :: Hunk 200R (Aug, 2018)

| Ref No. | Part Number    | Description                      | Req. |
|---------|----------------|----------------------------------|------|
| 9       | 86855-AAB-A000 | MARK HERO COVER A R SIDE         | 1    |
| 10      | 86856-AAB-A000 | MARK HERO COVER A L SIDE         | 1    |
| 11      | 86880-AAB-A00S | MARK ABS FR FENDER LH TY-2       | 1    |
|         | 86880-ABF-100R | MARK ABS FR. FENDER LH. (TYPE-1) | 1    |
|         | 86880-ABF-100S | MARK ABS FR. FENDER LH. (TYPE-2) | 1    |

| SPECIFIED COLOUR CHART FOR, MARK ABS FR FENDER LH |                     |                             |
|---------------------------------------------------|---------------------|-----------------------------|
| SPECIFIED COLOUR TYPE                             | A                   | MAIN BODY COLOUR            |
| 2                                                 | TRANSPARENT (MATTE) | SPORTS RED (R-321)          |
| 1                                                 | NH-1 BLACK          | BLACK (NH-1)                |
| 1                                                 | NH-1 BLACK          | MAT AXIS GRAY ME. (NH-303M) |
| 2                                                 | TRANSPARENT (MATTE) | TECHNO BLUE ME. (BL-002M)   |

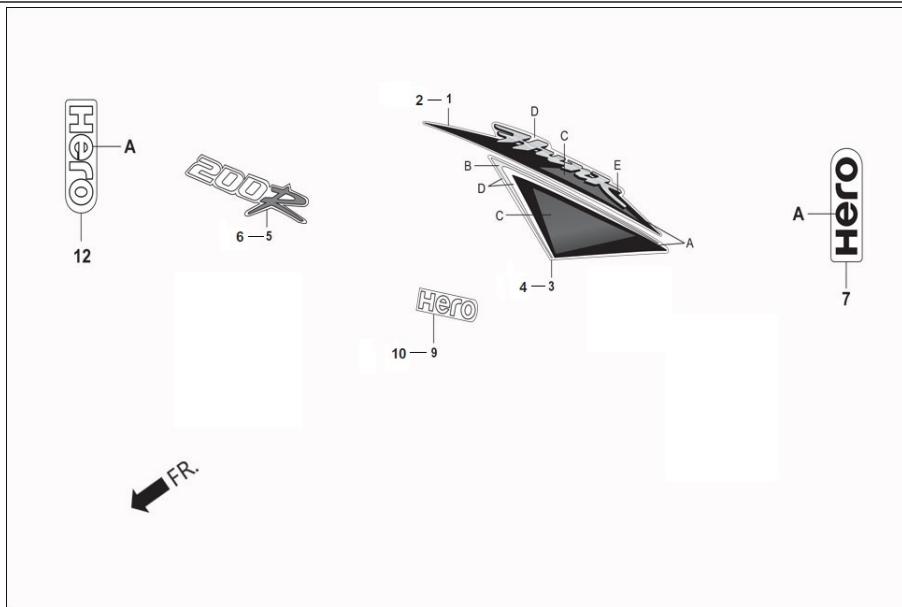
**F-27-ABS**  
**STRIPE/ MARKS**



| Service Item | F.R.T. | Group Number: F-27-ABS Model :: Hunk 200R (Aug, 2018) |                |                            |      |
|--------------|--------|-------------------------------------------------------|----------------|----------------------------|------|
|              |        | Ref No.                                               | Part Number    | Description                | Req. |
|              |        | 12                                                    | 87277-AAB-A000 | MARK HERO COWL CENTER REAR | 1    |



**F-27-WO-ABS**  
**STRIPE/ MARKS**



Service Item

F.R.T.

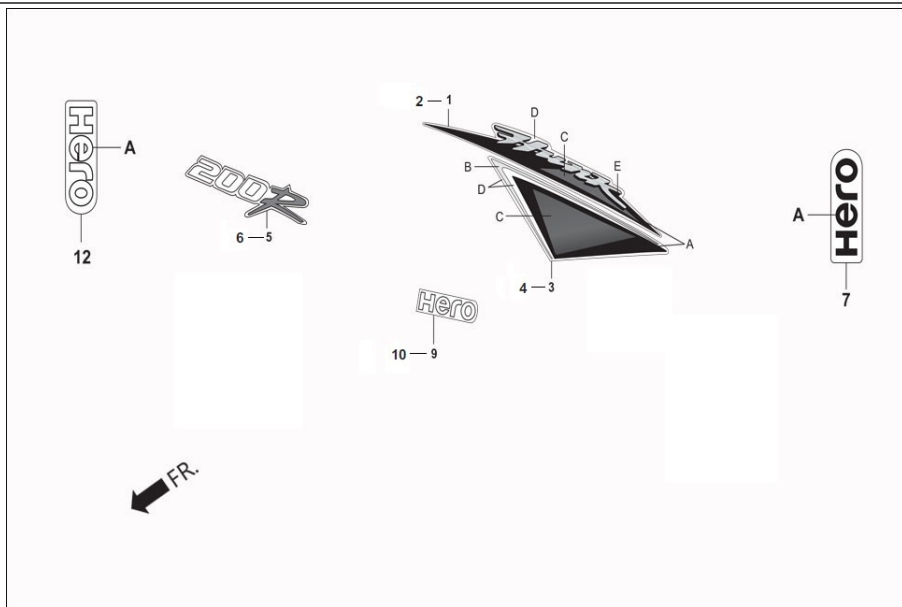
Group Number: F-27-WO-ABS Model :: Hunk 200R (Aug, 2018)

| Ref No. | Part Number    | Description                 | Req. |
|---------|----------------|-----------------------------|------|
| 1       | 86273-ABF-100R | STRIPE A, R SHROUD (TYPE-1) | 1    |
|         | 86273-ABF-100S | STRIPE A, R SHROUD (TYPE-2) | 1    |
|         | 86273-AAB-C00R | STRIPE A, R SHROUD (TYPE-1) | 1    |
|         | 86273-ABF-100U | STRIPE A, R SHROUD (TYPE-3) | 1    |

**SPECIFIED COLOUR CHART FOR, STRIPE A, R SHROUD**

| SPECIFIED COLOUR TYPE | A          | B          | C                             | D                 | E              | MAIN BODY COLOUR            |
|-----------------------|------------|------------|-------------------------------|-------------------|----------------|-----------------------------|
| 1                     | NH-1 BLACK | ROSS WHITE | SPORTS RED                    | SPORTS RED        | NH-1 BLACK     | SPORTS RED (R-321)          |
| 2                     | SPORTS RED | ROSS WHITE | NH-1 BLACK                    | NH-1 BLACK        | HEAVY GREY ME. | BLACK (NH-1)                |
| 1                     | CSPL 0087  | SPORTS RED | MAT AXIS GREY ME.<br>(GLOSSY) | MAT AXIS GREY ME. | NH-1 BLACK     | MAT AXIS GRAY ME. (NH-303M) |
| 3                     | NH-1 BLACK | ROSS WHITE | TECHNO BLUE ME.               | TECHNO BLUE ME.   | NH-1 BLACK     | TECHNO BLUE ME. (BL-002M)   |

**F-27-WO-ABS**  
**STRIPE/ MARKS**



**Service Item**

**F.R.T.**

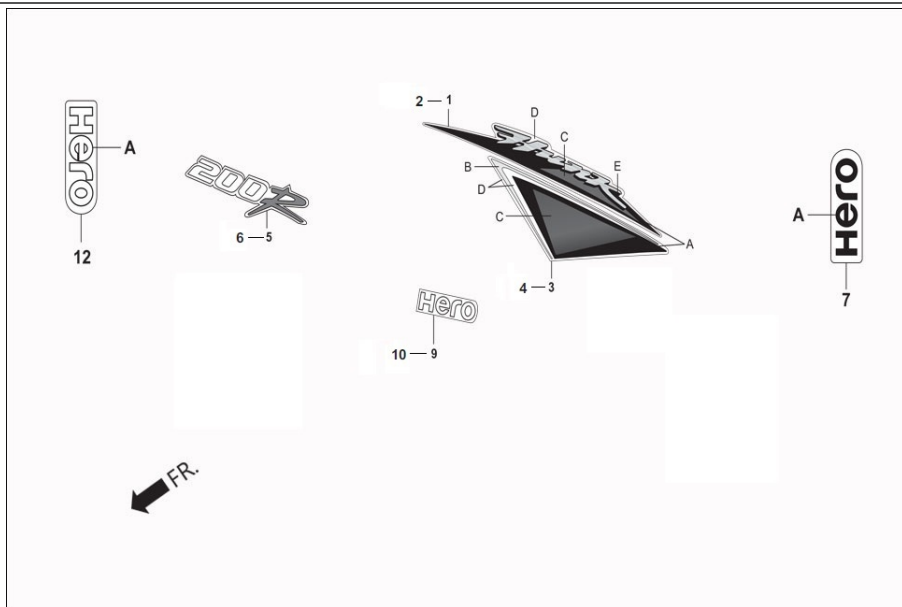
**Group Number:** F-27-WO-ABS **Model ::** Hunk 200R (Aug, 2018)

| Ref No. | Part Number    | Description                 | Req. |
|---------|----------------|-----------------------------|------|
| 2       | 86274-ABF-100R | STRIPE A, L SHROUD (TYPE-1) | 1    |
|         | 86274-ABF-100S | STRIPE A, L SHROUD (TYPE-2) | 1    |
|         | 86274-AAB-C00R | STRIPE A, L SHROUD (TYPE-1) | 1    |
|         | 86274-ABF-100U | STRIPE A, L SHROUD (TYPE-3) | 1    |

**SPECIFIED COLOUR CHART FOR, STRIPE A, L SHROUD**

| SPECIFIED<br>COLOUR<br>TYPE | A          | B          | C                             | D                 | E              | MAIN BODY COLOUR            |
|-----------------------------|------------|------------|-------------------------------|-------------------|----------------|-----------------------------|
| 1                           | NH-1 BLACK | ROSS WHITE | SPORTS RED                    | SPORTS RED        | NH-1 BLACK     | SPORTS RED (R-321)          |
| 2                           | SPORTS RED | ROSS WHITE | NH-1 BLACK                    | NH-1 BLACK        | HEAVY GREY ME. | BLACK (NH-1)                |
| 1                           | CSPL 0087  | SPORTS RED | MAT AXIS GREY ME.<br>(GLOSSY) | MAT AXIS GREY ME. | NH-1 BLACK     | MAT AXIS GRAY ME. (NH-303M) |
| 3                           | NH-1 BLACK | ROSS WHITE | TECHNO BLUE ME.               | TECHNO BLUE ME.   | NH-1 BLACK     | TECHNO BLUE ME. (BL-002M)   |

**F-27-WO-ABS**  
**STRIPE/ MARKS**



**Service Item**

**F.R.T.**

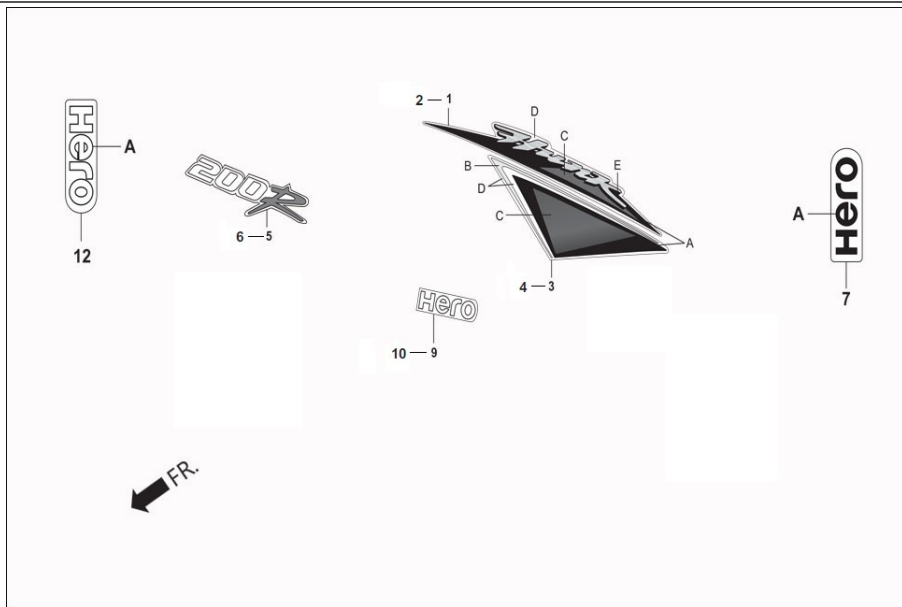
**Group Number: F-27-WO-ABS Model :: Hunk 200R (Aug, 2018)**

| Ref No. | Part Number    | Description                 | Req. |
|---------|----------------|-----------------------------|------|
| 3       | 86275-ABF-100R | STRIPE B, R SHROUD (TYPE-1) | 1    |
|         | 86275-ABF-100S | STRIPE B, R SHROUD (TYPE-2) | 1    |
|         | 86275-AAB-C00R | STRIPE B, R SHROUD (TYPE-1) | 1    |
|         | 86275-ABF-100U | STRIPE B, R SHROUD (TYPE-3) | 1    |

**SPECIFIED COLOUR CHART FOR, STRIPE B, R SHROUD**

| SPECIFIED COLOUR TYPE | A          | B          | C                             | D                 | E              | MAIN BODY COLOUR            |
|-----------------------|------------|------------|-------------------------------|-------------------|----------------|-----------------------------|
| 1                     | NH-1 BLACK | ROSS WHITE | SPORTS RED                    | SPORTS RED        | NH-1 BLACK     | SPORTS RED (R-321)          |
| 2                     | SPORTS RED | ROSS WHITE | NH-1 BLACK                    | NH-1 BLACK        | HEAVY GREY ME. | BLACK (NH-1)                |
| 1                     | CSPL 0087  | SPORTS RED | MAT AXIS GREY ME.<br>(GLOSSY) | MAT AXIS GREY ME. | NH-1 BLACK     | MAT AXIS GRAY ME. (NH-303M) |
| 3                     | NH-1 BLACK | ROSS WHITE | TECHNO BLUE ME.               | TECHNO BLUE ME.   | NH-1 BLACK     | TECHNO BLUE ME. (BL-002M)   |

**F-27-WO-ABS**  
**STRIPE/ MARKS**



**Service Item**

**F.R.T.**

**Group Number:** F-27-WO-ABS **Model ::** Hunk 200R (Aug, 2018)

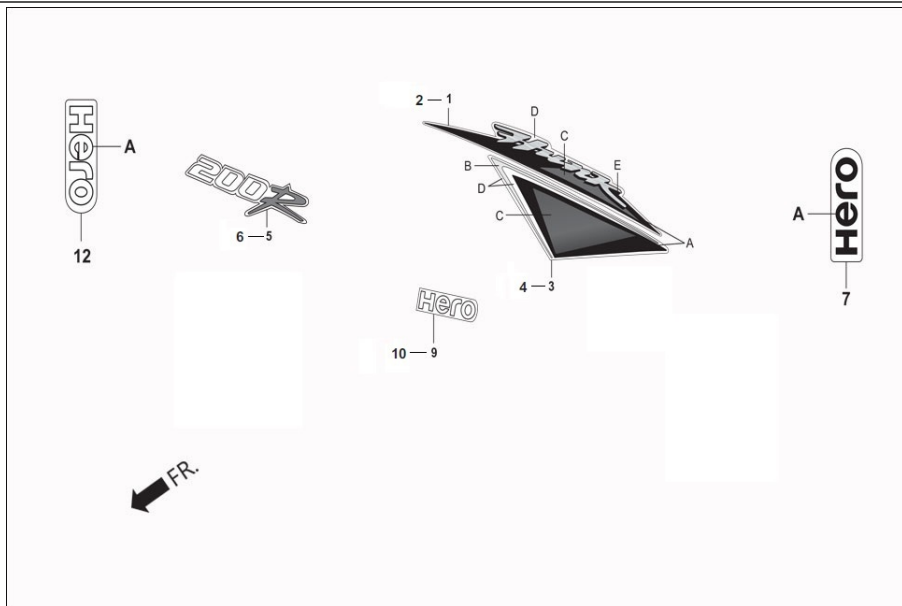
| Ref No. | Part Number    | Description                 | Req. |
|---------|----------------|-----------------------------|------|
| 4       | 86276-ABF-100R | STRIPE B, L SHROUD (TYPE-1) | 1    |
|         | 86276-ABF-100S | STRIPE B, L SHROUD (TYPE-2) | 1    |
|         | 86276-AAB-C00R | STRIPE B, L SHROUD (TYPE-1) | 1    |
|         | 86276-ABF-100U | STRIPE B, L SHROUD (TYPE-3) | 1    |

**SPECIFIED COLOUR CHART FOR, STRIPE B, L SHROUD**

| SPECIFIED<br>COLOUR<br>TYPE | A          | B          | C                             | D                 | E              | MAIN BODY COLOUR            |
|-----------------------------|------------|------------|-------------------------------|-------------------|----------------|-----------------------------|
| 1                           | NH-1 BLACK | ROSS WHITE | SPORTS RED                    | SPORTS RED        | NH-1 BLACK     | SPORTS RED (R-321)          |
| 2                           | SPORTS RED | ROSS WHITE | NH-1 BLACK                    | NH-1 BLACK        | HEAVY GREY ME. | BLACK (NH-1)                |
| 1                           | CSPL 0087  | SPORTS RED | MAT AXIS GREY ME.<br>(GLOSSY) | MAT AXIS GREY ME. | NH-1 BLACK     | MAT AXIS GRAY ME. (NH-303M) |
| 3                           | NH-1 BLACK | ROSS WHITE | TECHNO BLUE ME.               | TECHNO BLUE ME.   | NH-1 BLACK     | TECHNO BLUE ME. (BL-002M)   |



## F-27-WO-ABS STRIPE/ MARKS

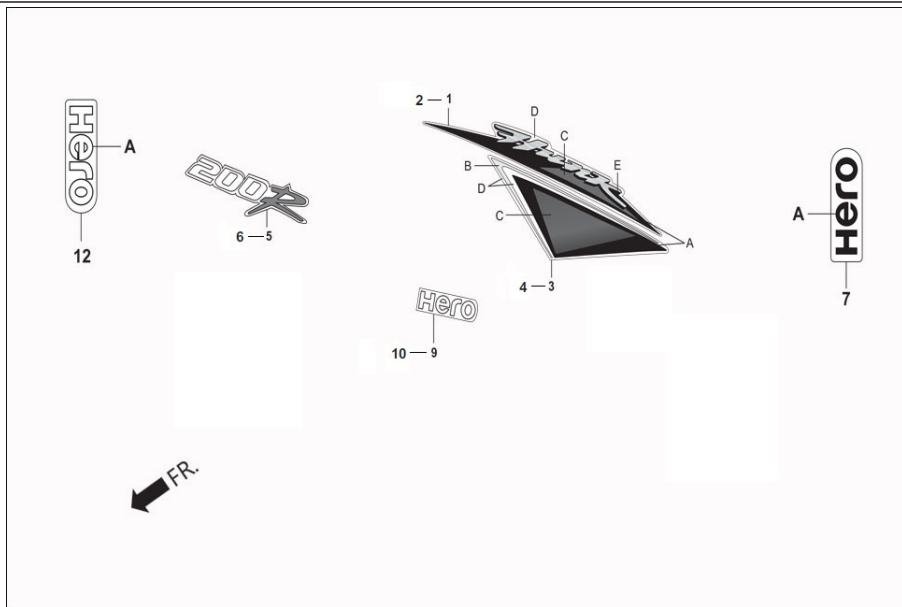


| Service Item | F.R.T.         | Group Number: F-27-WO-ABS Model :: Hunk 200R (Aug, 2018) |      |  |
|--------------|----------------|----------------------------------------------------------|------|--|
| Ref No.      | Part Number    | Description                                              | Req. |  |
| 5            | 86281-ABF-100R | STRIPE COWL R REAR (TYPE-1)                              | 1    |  |
| 6            | 86282-ABF-100R | STRIPE COWL L REAR (TYPE-1)                              | 1    |  |
| 7            | 86776-ABF-100R | MARK HERO FR FENDER (TYPE-1)                             | 1    |  |
|              | 86776-ABF-100S | MARK HERO FR FENDER (TYPE-2)                             | 1    |  |
|              | 86776-AAB-A00S | MARK HERO FR FENDER TY-2                                 | 1    |  |

**SPECIFIED COLOUR CHART FOR, MARK HERO FR FENDER**

| SPECIFIED COLOUR TYPE | A                   | MAIN BODY COLOUR            |
|-----------------------|---------------------|-----------------------------|
| 2                     | TRANSPARENT (MATTE) | SPORTS RED (R-321)          |
| 1                     | NH-1 BLACK          | BLACK (NH-1)                |
| 2                     | TRANSPARENT (MATTE) | MAT AXIS GRAY ME. (NH-303M) |
| 2                     | TRANSPARENT (MATTE) | TECHNO BLUE ME. (BL-002M)   |

**F-27-WO-ABS**  
**STRIPE/ MARKS**



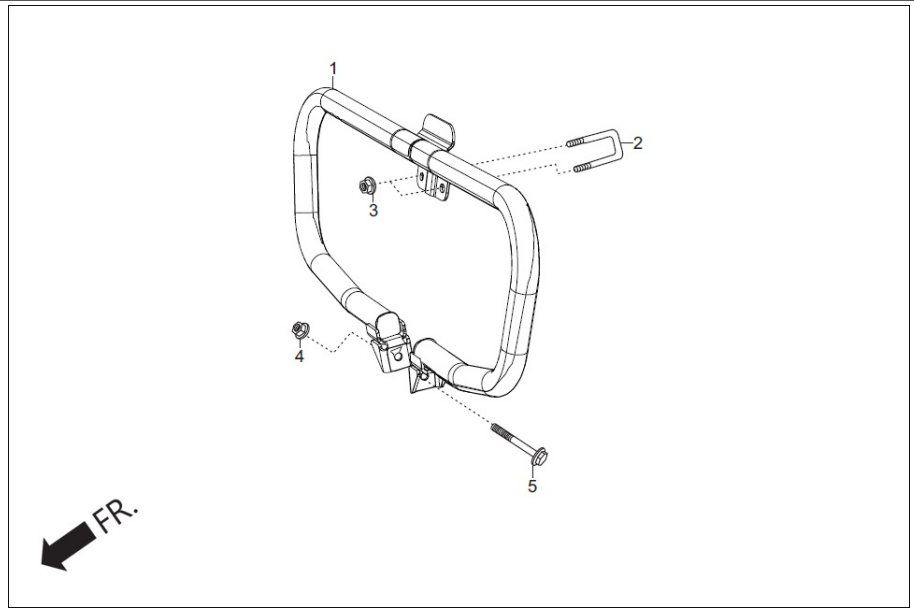
**Service Item**

**F.R.T.**

**Group Number:** F-27-WO-ABS **Model ::** Hunk 200R (Aug, 2018)

| Ref No. | Part Number    | Description                | Req. |
|---------|----------------|----------------------------|------|
| 9       | 86855-AAB-A000 | MARK HERO COVER A R SIDE   | 1    |
| 10      | 86856-AAB-A000 | MARK HERO COVER A L SIDE   | 1    |
| 12      | 87277-AAB-A000 | MARK HERO COWL CENTER REAR | 1    |

**F-28**  
GUARD FRONT



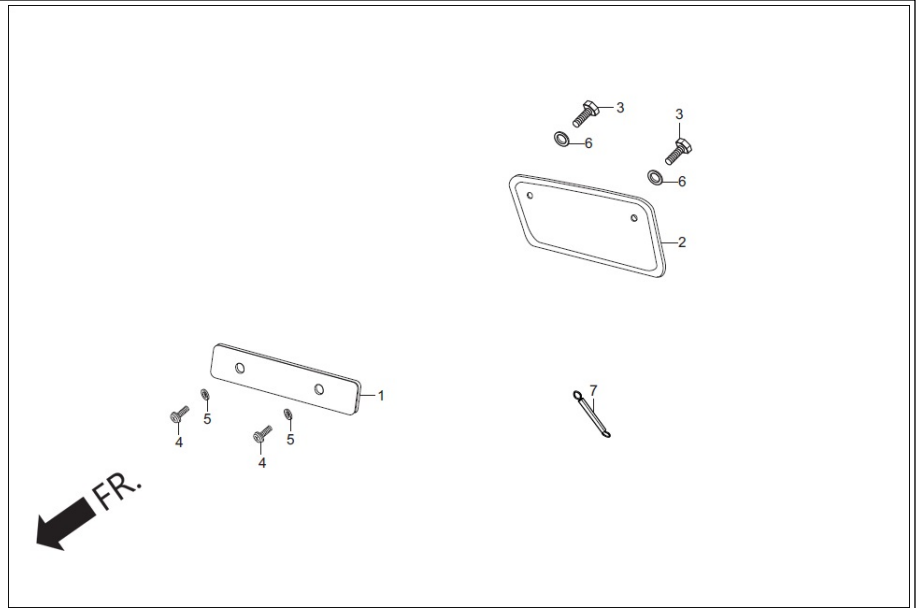
Service Item

F.R.T.

Group Number: F-28 Model :: Hunk 200R (Aug, 2018)

| Ref No. | Part Number    | Description          | Req. |
|---------|----------------|----------------------|------|
| 1       | 50803-AAB-A00  | GUARD ENGINE         | 1    |
| 2       | 50805-KVE-900  | U-CLAMP              | 1    |
| 3       | 94050-08070    | NUT, FLANGE, 8MM     | 2    |
| 4       | 94050-08000    | NUT, FLANGE, 8MM     | 1    |
| 5       | 95801-08095-00 | BOLT, FLANGE, 8 X 95 | 1    |

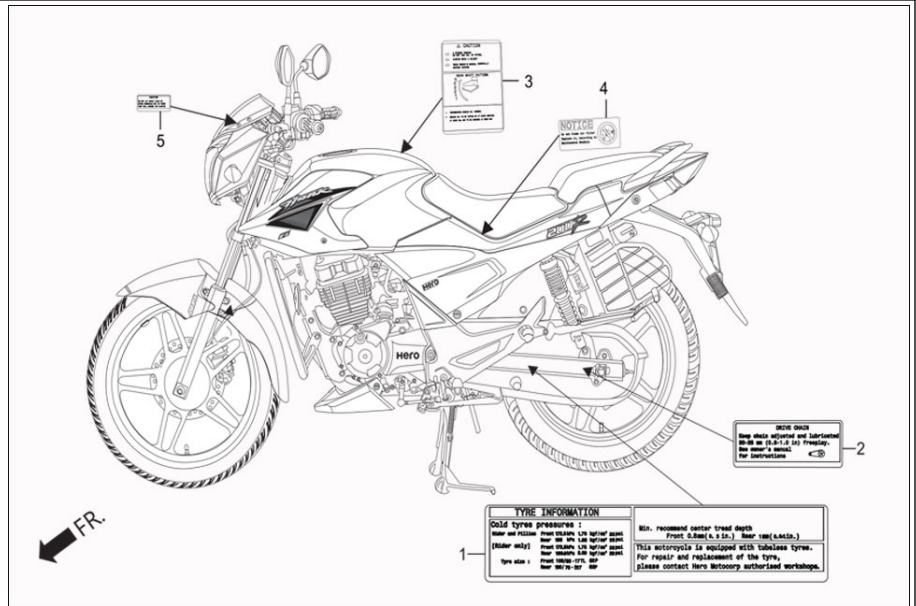
**F-29**  
FR./RR. NUMBER PLATE (OPTIONAL)



**Group Number:** F-29 **Model ::** Hunk 200R (Aug, 2018)

| Ref No. | Part Number    | Description         | Req. |
|---------|----------------|---------------------|------|
| 1       | 64310-198-D20A | PLATE, FRONT NUMBER | 1    |
| 2       | 84701-P26-D00A | NUMBER, PLATE REAR  | 1    |
| 3       | 92000-06012-0A | BOLT,HEX.,6X12      | 2    |
| 4       | 93500-05020-0A | SCREW PAN 5X20      | 2    |
| 5       | 94101-05000    | WASHER , PLAIN, 5MM | 2    |
| 6       | 94101-06000    | WASHER, PLAIN, 6 MM | 2    |
| 7       | 80103-AAB-A00  | WIRE HELMET SET     | 1    |

## F-30 CAUTION LABEL



Service Item

F.R.T.

Group Number: F-30 Model :: Hunk 200R (Aug, 2018)

| Ref No. | Part Number   | Description                | Req. |
|---------|---------------|----------------------------|------|
| 1       | 87505-AAB-A00 | LABEL TYRE                 | 1    |
| 2       | 87507-AAB-A00 | LABEL DRIVE CHAIN          | 1    |
| 3       | 87560-AAB-H00 | LABEL DRIVE                | 1    |
| 4       | 87509-AAP-000 | LABEL AIR/C ELEMENT NOTICE | 1    |
| 5       | 87522-MAB-600 | LABEL, VISOR CAUTION       | 1    |

# **PARTS INDEX**

| <b>PART NO</b> | <b>BLOCK</b> | <b>PART NO</b> | <b>BLOCK</b> |
|----------------|--------------|----------------|--------------|
| 1110A-ABF-000  | E-3B         | 14781-MA6-000  | E-1C         |
| 1723A-AAB-A00  | F-24B        | 15100-ABF-000  | E-6          |
| 3310B-AAB-A01  | F-1          | 15130-KRM-840  | E-6          |
| 3340B-AAB-C01  | F-21         | 15331-ABF-000  | E-6          |
| 3345B-AAB-C01  | F-21         | 15332-ABF-000  | E-6          |
| 3360B-AAB-C01  | F-21A        | 15421-KTN-900  | E-6          |
| 3365B-AAB-C01  | F-21A        | 15430-KSP-910  | E-6          |
| 3372B-AAB-C01  | F-20         | 15436-KRM-840  | E-6          |
| 5035A-AAB-A00  | F-25         | 15441-KCS-650  | E-6          |
| 06435-AAB-A00  | F-8A         | 15446-107-000  | E-6          |
| 06451-GE2-405L | F-4B         | 15459-AAB-A00  | E-6          |
| 06451-MA7-405  | F-8A         | 15650-KVN-970  | E-6          |
| 06455-GCR-016L | F-4B         | 15772-KTN-900  | F-13A        |
| 11108-KTN-900  | E-3B         | 16001-AAB-A00  | E-11         |
| 11200-ABF-000  | E-3B         | 16002-AAB-A00  | E-11         |
| 11215-KSP-910  | E-3B         | 16003-AAB-A00  | E-11         |
| 11216-AAB-A00  | E-3B         | 16004-AAB-A00  | E-11         |
| 11217-KRM-840  | E-3B         | 16005-AAB-A00  | E-11         |
| 11330-AAB-A00  | E-3          | 16006-AAB-A00  | E-11         |
| 11341-AAB-A00  | E-3A         | 16007-AAB-A00  | E-11         |
| 11360-AAB-A00  | E-3A         | 16008-AAB-A00  | E-11         |
| 11365-AAB-A00  | E-3A         | 16008-AAW-001  | E-11         |
| 11393-KWK-900  | E-3          | 16011-AAB-A00  | E-11         |
| 11395-KWK-900  | E-3A         | 16012-AAB-A00  | E-11         |
| 12100-ABF-000  | E-1B         | 16013-AAB-A00  | E-11         |
| 12191-ABF-000  | E-1B         | 16018-AAB-A00  | E-11         |
| 12196-AAB-A00  | E-1A         | 16019-AAB-A00  | E-11         |
| 12196-AAB-A00  | E-1B         | 16020-AAB-A00  | E-11         |
| 12200-ABF-000  | E-1A         | 16021-AAB-A00  | E-11         |



|                 |      |               |      |
|-----------------|------|---------------|------|
| 12209-AAN-410   | E-1C | 16022-AAB-A00 | E-11 |
| 12210-ABF-000   | E-1A | 16023-AAB-A00 | E-11 |
| 12212-ABF-000   | E-1A | 16023-AAW-001 | E-11 |
| 12251-ABF-000   | E-1A | 16024-AAB-A00 | E-11 |
| 12310-AAB-A00   | E-1  | 16024-AAW-001 | E-11 |
| 12391-KRM-840   | E-1  | 16026-AAB-A00 | E-11 |
| 12396-KRM-840   | E-1  | 16027-AAB-A00 | E-11 |
| 12397-KSP-910   | E-1  | 16028-AAB-A00 | E-11 |
| 12398-KSP-910   | E-1  | 16029-AAB-A00 | E-11 |
| 13000-ABF-000   | E-7  | 16029-AAW-001 | E-11 |
| 13011-ABF-001   | E-7  | 16031-AAB-A00 | E-11 |
| 13101-ABF-000   | E-7  | 16032-AAB-A00 | E-11 |
| 13111-ABF-000   | E-7  | 16033-AAW-001 | E-11 |
| 13201-ABF-000   | E-7  | 16033-AAB-A00 | E-11 |
| 13411-AAB-A00   | E-7  | 16041-AAB-A00 | E-11 |
| 13420-AAB-A00   | E-7  | 16042-AAB-A00 | E-11 |
| 13421-ABF-000   | E-7  | 16043-AAB-A00 | E-11 |
| 13427-AAB-A00   | E-7  | 16044-AAB-A00 | E-11 |
| 13538-AAB-A00   | E-7  | 16045-AAB-A00 | E-11 |
| 14100-ABF-000   | E-1C | 16046-AAB-A00 | E-11 |
| 14311-AAB-A00   | E-7  | 16047-AAB-A00 | E-11 |
| 14321-AAB-A00   | E-2  | 16048-AAB-A00 | E-11 |
| 14401-AAB-A00   | E-2  | 16049-AAB-A00 | E-11 |
| 14430-ABF-000   | E-1C | 16050-AAB-A00 | E-11 |
| 14451-ABF-000   | E-1C | 16051-AAB-A00 | E-11 |
| 14510-AAB-A00   | E-2  | 16052-AAB-A00 | E-11 |
| 14515-KRM-840   | E-2  | 16053-AAB-A00 | E-11 |
| 14520-AAB-A0099 | E-2  | 16054-AAB-A00 | E-11 |
| 14560-KSP-910   | E-2  | 16056-AAB-A00 | E-11 |
| 14610-AAB-A00   | E-2  | 16057-AAB-A00 | E-11 |

|               |      |               |      |
|---------------|------|---------------|------|
| 14711-ABF-000 | E-1C | 16058-AAB-A00 | E-11 |
| 14721-ABF-000 | E-1C | 16059-AAB-A00 | E-11 |
| 14751-ABF-000 | E-1C | 16071-AAB-A00 | E-11 |
| 14771-ABF-000 | E-1C | 16072-AAW-001 | E-11 |
| 14775-ABF-000 | E-1C | 16081-AAB-A00 | E-11 |

| <b>PART NO</b> | <b>BLOCK</b> | <b>PART NO</b> | <b>BLOCK</b> |
|----------------|--------------|----------------|--------------|
| 16082-AAB-A00  | E-11         | 17951-AAB-A00  | F-3B         |
| 16083-AAB-A00  | E-11         | 18291-KRY-930  | F-14         |
| 16084-AAB-A00  | E-11         | 18293-KPK-900  | F-14         |
| 16085-AAB-A00  | E-11         | 18300-AAB-A00  | F-14         |
| 16086-AAB-A00  | E-11         | 18312-AAB-A00  | F-14         |
| 16087-AAB-A00  | E-11         | 18313-AAB-A00  | F-14         |
| 16088-AAB-A00  | E-11         | 18317-KVN-900  | F-14         |
| 16100-AAB-A00  | E-11         | 18345-MBT-610  | F-14         |
| 16155-AAB-A00  | E-11         | 18421-438-670  | F-14         |
| 16165-AAB-A00  | E-11         | 18421-438-670  | F-15         |
| 16200-AAB-A00  | E-11A        | 18442-KRC-900  | F-14         |
| 16217-KSP-910  | E-11A        | 18600-KSP-901  | F-13A        |
| 16222-KSP-910  | E-11A        | 18601-AAB-A00  | F-13A        |
| 16222-MV4-300  | F-13         | 18602-AAB-A00  | F-13A        |
| 16950-AAB-A01  | F-11         | 18640-AAB-A00  | E-11A        |
| 16952-AAB-A01  | F-11         | 18655-AAB-A00  | F-13A        |
| 16955-AAB-A00  | F-11         | 19052-AAB-A00  | F-4A-ABS     |
| 16956-AAB-A00  | F-11         | 19052-KV0-000  | F-13         |
| 16958-397-770  | F-11         | 19509-GE2-003  | F-13         |
| 17199-KTR-900  | F-11         | 19509-KFN-850  | F-13A        |
| 17208-AAB-A00  | F-13         | 22100-KTN-900  | E-4          |
| 17210-AAB-A00  | F-13         | 22115-KSP-910  | E-4          |
| 17214-AAB-A00  | F-13         | 22120-KRM-840  | E-4          |
| 17225-AAB-A00  | F-13         | 22201-KPM-850  | E-4          |
| 17227-ABA-000  | F-13         | 22201-MR8-000  | E-4          |
| 17230-AAH-100  | F-11A        | 22321-KPS-900  | E-4          |
| 17251-AAB-A00  | F-13         | 22355-KRM-840  | E-4          |
| 17253-AAB-A00  | F-13         | 22361-KPK-900  | E-4          |
| 17365-AAB-A00  | F-13A        | 22366-KSP-910  | E-4          |

|                 |       |               |      |
|-----------------|-------|---------------|------|
| 17371-AAB-A01   | F-13  | 22401-ABF-000 | E-4  |
| 17410-AAM-001   | F-11A | 22810-KRM-B00 | E-3  |
| 17410-AAB-A00   | F-13  | 22815-428-000 | E-3  |
| 17411-AAB-A00   | F-11A | 22821-KRM-840 | E-3  |
| 17420-AAD-A00   | F-11A | 22870-AAB-A00 | F-3  |
| 17421-AAB-500   | F-11A | 22871-KTN-700 | F-3  |
| 17430-AAE-100   | F-11A | 23121-KVE-860 | E-8  |
| 17431-AAH-A00   | F-11A | 23210-KVN-900 | E-8  |
| 17460-AAE-10099 | F-11A | 23220-AAB-A00 | E-8  |
| 17506-AAB-A00   | F-11  | 23421-KVN-900 | E-8  |
| 17510-AAB-C00R  | F-11  | 23427-KRM-840 | E-8  |
| 17510-AAB-A00S  | F-11  | 23427-KRM-840 | E-9  |
| 17510-AAB-A00U  | F-11  | 23431-AAB-A00 | E-8  |
| 17510-AAB-A00V  | F-11  | 23432-KRM-840 | E-8  |
| 17529-KVN-900   | F-11  | 23441-AAB-A00 | E-8  |
| 17547-AAB-A00   | F-11  | 23451-KVN-900 | E-8  |
| 17548-AAB-A00   | F-11  | 23461-KVN-900 | E-8  |
| 17549-AAB-A00   | F-11  | 23471-AAB-A00 | E-8  |
| 17611-KRY-970   | F-11  | 23472-KSP-910 | E-8  |
| 17613-MV4-000   | F-11  | 23481-AAB-A00 | E-8  |
| 17620-AAB-H61   | F-23  | 23491-AAB-A00 | E-8  |
| 17622-GB7-900   | F-13A | 23492-KSP-910 | E-8  |
| 17646-MN8-700   | F-11A | 23501-AAB-A00 | E-8  |
| 17670-AAB-A00   | F-11A | 23801-KRY-970 | E-8  |
| 17671-AAB-A00   | F-11A | 23811-KR3-600 | E-8  |
| 17681-AAB-A00   | F-11  | 24211-KRM-840 | E-10 |
| 17690-AAB-A00   | F-11A | 24212-KRM-840 | E-10 |
| 17691-AAB-A00   | F-11A | 24241-KRM-840 | E-10 |
| 17693-AAB-A00   | F-11A | 24242-KRM-840 | E-10 |
| 17694-AAB-A00   | F-11A | 24301-KSP-910 | E-10 |

|               |       |               |      |
|---------------|-------|---------------|------|
| 17695-AAH-A00 | F-11A | 24410-KSP-860 | E-10 |
| 17695-AAM-000 | F-11A | 24430-KTN-900 | E-10 |
| 17699-AAT-000 | F-11A | 24436-KSP-910 | E-10 |
| 17910-AAB-A00 | F-3B  | 24610-KSP-910 | E-10 |
| 17950-AAB-A00 | F-3B  | 24627-KRM-840 | E-10 |

| <b>PART NO</b> | <b>BLOCK</b> | <b>PART NO</b> | <b>BLOCK</b> |
|----------------|--------------|----------------|--------------|
| 24651-KSP-910  | E-10         | 32602-AAB-A00  | F-24-ABS     |
| 24652-KSP-910  | E-10         | 32602-AAB-A00  | F-24-WO-ABS  |
| 24700-KVE-900  | F-17         | 33108-AAB-101  | F-1          |
| 24701-KVE-900  | F-17         | 33110-AAB-A01  | F-1          |
| 24711-KVE-900  | F-17         | 33112-AAB-000  | F-1          |
| 24720-KFN-850  | F-17         | 33134-AAB-101  | F-1          |
| 24721-GS3-000  | F-17         | 33150-AAB-101  | F-1          |
| 24781-KR3-770  | F-17         | 33170-AAB-A01  | F-1          |
| 28110-KTN-900  | E-9          | 33180-AAB-A01  | F-1          |
| 28120-KTR-A00A | E-9          | 33401-AAR-001  | F-21         |
| 28131-KTN-900  | E-9          | 33401-AAR-001  | F-21A        |
| 28132-KN6-930  | E-9          | 33402-AAS-001  | F-21         |
| 28133-KRM-850  | E-9          | 33402-AAS-001  | F-21A        |
| 28211-AAB-A00  | E-9          | 33405-AAB-C01  | F-21         |
| 28215-KRM-840  | E-9          | 33408-AAR-001  | F-21         |
| 28221-KTN-900  | E-9          | 33408-AAR-001  | F-21A        |
| 28223-KRM-840  | E-9          | 33451-AAR-001  | F-21         |
| 28231-AAB-A00  | E-9          | 33451-AAR-001  | F-21A        |
| 28241-AAK-H00  | F-17A        | 33452-AAS-001  | F-21         |
| 28251-KTN-900  | E-9          | 33452-AAS-001  | F-21A        |
| 28261-KRM-840  | E-9          | 33455-AAB-C01  | F-21         |
| 28282-KRM-840  | E-9          | 33491-ABW-001  | F-21         |
| 28293-333-000  | F-17A        | 33491-ABW-001  | F-21A        |
| 28300-AAK-H00  | F-17A        | 33496-ABW-001  | F-21         |
| 28311-KC5-000  | F-17A        | 33496-ABW-001  | F-21A        |
| 28333-300-000  | F-15         | 33506-AAB-A01  | F-2-ABS      |
| 28333-KK0-000  | F-17A        | 33506-AAB-A01  | F-2-WO-ABS   |
| 30401-AAB-A01  | F-24-ABS     | 33605-AAB-C01  | F-21A        |
| 30401-AAB-A01  | F-24-WO-ABS  | 33619-459-840A | F-14         |

|                 |             |                 |            |
|-----------------|-------------|-----------------|------------|
| 30410-AAB-A01   | F-24-ABS    | 33655-AAB-C01   | F-21A      |
| 30410-AAB-A01   | F-24-WO-ABS | 33700-AAB-A01   | F-22       |
| 30500-AAB-H61   | F-24-ABS    | 33714-KL3-620   | F-25A      |
| 30500-AAB-H61   | F-24-WO-ABS | 33721-AAB-C01   | F-20       |
| 30700-KWA-831   | F-24-ABS    | 33722-AAG-00099 | F-20       |
| 30700-KWA-831   | F-24-WO-ABS | 33723-AAG-00099 | F-20       |
| 31100-KSP-B01   | E-5         | 33729-MCZ-003   | F-20       |
| 31110-KSP-B01   | E-5         | 33740-AAB-000   | F-6A       |
| 31120-KSP-B01   | E-5         | 33743-AAR-001   | F-20       |
| 31200-KSP-901   | E-5A        | 34351-AAB-401   | F-20       |
| 31201-KPT-A01   | E-5A        | 34901-KSP-910   | F-1        |
| 31204-KG8-004   | E-5A        | 34908-AAB-401   | F-21       |
| 31205-KTC-921   | E-5A        | 34908-AAB-401   | F-21A      |
| 31206-KPH-881   | E-5A        | 34930-AAC-700   | F-21       |
| 31207-MBE-008   | E-5A        | 34930-AAC-700   | F-21       |
| 31500-KRP-801   | F-24B       | 34930-AAC-700   | F-21A      |
| 31600-KWS-901   | F-24-ABS    | 34930-AAC-700   | F-21A      |
| 31600-KWS-901   | F-24-WO-ABS | 35010-AAB-A01   | F-23       |
| 31700-124-000   | F-24-ABS    | 35100-AAB-A01   | F-23       |
| 31700-124-000   | F-24-WO-ABS | 35106-KTC-900   | F-6        |
| 31916-KRM-84099 | E-1A        | 35121-AAB-A01   | F-23       |
| 32100-AAB-A00   | F-24-ABS    | 35122-AAB-A01   | F-23       |
| 32100-AAB-A20   | F-24-WO-ABS | 35130-AAB-000   | F-18       |
| 32111-KSP-910   | E-5         | 35140-AAB-102   | F-23       |
| 32161-404-000   | F-3B        | 35150-AAB-A01   | F-3B       |
| 32401-AAB-A00   | F-23        | 35200-AAB-A01   | F-3B       |
| 32410-AAB-A00   | F-24-ABS    | 35330-413-003   | F-3B       |
| 32410-AAB-A00   | F-24-WO-ABS | 35340-MA5-670L  | F-4-WO-ABS |
| 32411-253-000   | F-24-ABS    | 35340-MA5-670L  | F-4A-ABS   |
| 32411-253-000   | F-24-WO-ABS | 35350-KVE-930A  | F-23       |

|               |             |               |      |
|---------------|-------------|---------------|------|
| 32413-KRY-970 | F-24-ABS    | 35357-KVN-970 | F-17 |
| 32413-KRY-970 | F-24-WO-ABS | 35400-KRY-970 | F-22 |
| 32414-KVN-970 | F-23        | 35751-KPH-900 | E-5A |
| 32601-AAB-A00 | F-24-ABS    | 35752-KRM-840 | E-5A |
| 32601-AAB-A00 | F-24-WO-ABS | 35759-AAB-000 | E-5A |



| <b>PART NO</b>   | <b>BLOCK</b> | <b>PART NO</b> | <b>BLOCK</b> |
|------------------|--------------|----------------|--------------|
| 35850-AAM-H01    | F-23         | 43352-568-003L | F-4B         |
| 35856-AAB-A00    | F-23         | 43352-568-003L | F-8A         |
| 37100-AAB-A01    | F-2-ABS      | 43353-461-771L | F-4B         |
| 37100-AAB-A21    | F-2-WO-ABS   | 43353-461-771L | F-8A         |
| 37103-AAB-A01    | F-2-ABS      | 43503-MEE-006  | F-8          |
| 37103-AAB-A01    | F-2-WO-ABS   | 43504-MB2-006  | F-8          |
| 37104-AAB-A01    | F-2-ABS      | 43510-KRY-971  | F-8          |
| 37104-AAB-A01    | F-2-WO-ABS   | 43511-KW7-881  | F-8          |
| 37105-KRJ-901    | F-2-ABS      | 43512-AAB-A00  | F-8          |
| 37105-KRJ-901    | F-2-WO-ABS   | 43514-KS6-701  | F-8          |
| 37202-AAB-A01    | F-2-ABS      | 43520-MJ6-315  | F-8          |
| 37202-AAB-A01    | F-2-WO-ABS   | 43530-MV9-006  | F-8          |
| 37210-AAB-A01    | F-2-ABS      | 44301-AAB-A00  | F-7-ABS      |
| 37210-AAB-A21    | F-2-WO-ABS   | 44301-AAB-A00  | F-7-WO-ABS   |
| 37211-AAB-A01    | F-2-ABS      | 44311-KPL-900  | F-7-ABS      |
| 37211-AAB-A01    | F-2-WO-ABS   | 44311-KPL-900  | F-7-WO-ABS   |
| 37212-AAB-A01    | F-2-ABS      | 44601-AAB-A00  | F-7-ABS      |
| 37212-AAB-A01    | F-2-WO-ABS   | 44601-AAB-A20  | F-7-WO-ABS   |
| 37800-KVN-901    | F-11         | 44800-AAB-A21  | F-7-WO-ABS   |
| 38110-AAB-401    | F-25A        | 44802-AAB-A00  | F-7-ABS      |
| 38117-KFE-701    | F-25A        | 45107-MN5-006L | F-4B         |
| 38301-AAJ-102    | F-23         | 45108-ML4-006L | F-4B         |
| 38306-GE7-000    | F-23         | 45109-GE2-006L | F-4B         |
| 38520-AAB-A00    | F-4A-ABS     | 45111-MAJ-G41  | F-8A         |
| 40510-AAB-A00    | F-18A        | 45126-AAB-A20  | F-4-WO-ABS   |
| 40530-AAB-A00099 | F-16         | 45126-AAB-A00  | F-4A-ABS     |
| 40543-KRY-900    | F-16         | 45128-AAB-A00  | F-4A-ABS     |
| 40546-KVE-900    | F-16         | 45131-GE2-006L | F-4B         |
| 40550-AAB-A00    | F-18A        | 45131-GZ0-006L | F-4B         |

|                 |            |                |            |
|-----------------|------------|----------------|------------|
| 41201-AAB-A00   | F-9        | 45131-GE2-006L | F-8A       |
| 41241-KSP-900   | F-9        | 45131-GZ0-006L | F-8A       |
| 42301-AAB-A00   | F-9        | 45132-166-016L | F-4B       |
| 42303-AAB-A00   | F-9        | 45132-166-016L | F-8A       |
| 42311-AAB-A00   | F-9        | 45133-MA3-006L | F-4B       |
| 42313-KRY-970   | F-9        | 45133-MA3-006L | F-8A       |
| 42601-AAB-A20   | F-9        | 45155-AAB-A00  | F-4-WO-ABS |
| 42611-KRY-930   | F-9        | 45155-AAB-A00  | F-4A-ABS   |
| 42620-KTR-700   | F-7-ABS    | 45156-AAB-A20  | F-4-WO-ABS |
| 42620-KTR-700   | F-7-WO-ABS | 45156-AAB-A00  | F-4A-ABS   |
| 42620-AAR-000   | F-9        | 45164-AAB-A20  | F-2-ABS    |
| 42703-AAB-A00   | F-7-ABS    | 45164-AAB-A20  | F-2-WO-ABS |
| 42703-AAB-A00   | F-7-WO-ABS | 45165-AAB-A20  | F-2-ABS    |
| 42703-AAB-A00   | F-9        | 45165-AAB-A20  | F-2-WO-ABS |
| 42704-AAB-A00   | F-7-ABS    | 45201-GT4-691L | F-4B       |
| 42704-AAB-A00   | F-7-WO-ABS | 45203-MG3-016L | F-4B       |
| 42704-AAB-A00   | F-9        | 45203-MCC-006  | F-8A       |
| 42705-AAB-A00   | F-7-ABS    | 45209-GE2-006L | F-4B       |
| 42705-AAB-A00   | F-7-WO-ABS | 45210-KR3-871L | F-4B       |
| 42705-AAB-A00   | F-9        | 45215-KA3-732L | F-4B       |
| 42707-AAB-A00   | F-7-ABS    | 45216-166-006L | F-4B       |
| 42707-AAB-A00   | F-7-WO-ABS | 45216-KW6-901L | F-4B       |
| 42707-AAB-A00   | F-9        | 45250-KRY-901  | F-4B       |
| 42753-KWF-90099 | F-7-ABS    | 45251-KRY-971  | F-7-ABS    |
| 42753-KWF-90099 | F-7-WO-ABS | 45251-KRY-971  | F-7-WO-ABS |
| 42753-KWF-90099 | F-9        | 45252-AAB-A00  | F-7-ABS    |
| 43107-MA7-006   | F-8A       | 45290-KGB-611L | F-4B       |
| 43114-KW6-842L  | F-4B       | 45504-410-003L | F-4-WO-ABS |
| 43114-KRY-971   | F-8A       | 45504-410-003L | F-4A-ABS   |
| 43115-AAB-A00   | F-8A       | 45510-KRY-972  | F-4-WO-ABS |

|               |          |                |            |
|---------------|----------|----------------|------------|
| 43150-AAB-A00 | F-8A     | 45510-KRY-972  | F-4A-ABS   |
| 43215-KGH-901 | F-8A     | 45512-MA6-006  | F-4-WO-ABS |
| 43251-KVN-971 | F-9      | 45512-MA6-006  | F-4A-ABS   |
| 43301-AAB-A00 | F-4A-ABS | 45513-HA2-006L | F-4-WO-ABS |
| 43310-AAB-A00 | F-8      | 45513-HA2-006L | F-4A-ABS   |

| <b>PART NO</b> | <b>BLOCK</b> | <b>PART NO</b> | <b>BLOCK</b> |
|----------------|--------------|----------------|--------------|
| 45513-GW0-911  | F-8          | 51419-AAB-A02  | F-6A         |
| 45517-166-000  | F-3B         | 51420-AAB-A02  | F-6A         |
| 45517-166-000  | F-4-WO-ABS   | 51423-AAB-A02  | F-6A         |
| 45517-166-000  | F-4A-ABS     | 51432-AAB-A02  | F-6A         |
| 45520-GE2-006  | F-4-WO-ABS   | 51437-AAB-A02  | F-6A         |
| 45520-GE2-006  | F-4A-ABS     | 51440-AAB-A02  | F-6A         |
| 45520-GW0-911  | F-8          | 51500-AAB-A02  | F-6A         |
| 45521-K21-901  | F-4-WO-ABS   | 51520-AAB-A02  | F-6A         |
| 45521-K21-901  | F-4A-ABS     | 52101-KTN-700  | F-18A        |
| 45521-GW0-911  | F-8          | 52110-AAB-A00  | F-18A        |
| 45530-471-831L | F-4-WO-ABS   | 52143-KVE-900  | F-18A        |
| 45530-471-831L | F-4A-ABS     | 52144-KEJ-900  | F-18A        |
| 46182-MEL-D21  | F-8          | 52170-AAB-A00  | F-18A        |
| 46500-AAB-H60  | F-15A        | 52400-AAB-A02  | F-19         |
| 46504-KV6-702  | F-8          | 53100-AAB-A00  | F-3B         |
| 46514-KN5-670  | F-15A        | 53105-KRC-900  | F-3B         |
| 46515-KVN-970  | F-15A        | 53131-AAB-A00  | F-3B         |
| 50100-AAB-A00  | F-25         | 53140-KVE-860  | F-3B         |
| 50137-AAR-000  | F-25         | 53166-KVE-860  | F-3B         |
| 50151-AAB-A00  | F-11A        | 53172-KRC-900  | F-3B         |
| 50186-AAB-A00  | F-20         | 53174-116-670  | F-4-WO-ABS   |
| 50200-AAB-C00R | F-11         | 53175-KFN-850L | F-4-WO-ABS   |
| 50200-ABF-100R | F-11         | 53175-KFN-850L | F-4A-ABS     |
| 50200-ABF-100S | F-11         | 53178-KFN-850  | F-3B         |
| 50200-ABF-100U | F-11         | 53179-KTC-900  | F-3          |
| 50207-AAB-A00  | F-4A-ABS     | 53200-AAB-A00  | F-6          |
| 50265-AAB-A00  | F-11         | 53211-268-010  | F-6          |
| 50275-AAB-A00  | F-11         | 53212-200-000  | F-6          |
| 50296-KVE-900  | F-25         | 53214-200-000  | F-6          |

|                |       |                |          |
|----------------|-------|----------------|----------|
| 50300-AAB-C00R | F-11  | 53215-KTR-900  | F-6      |
| 50300-ABF-100R | F-11  | 53220-KRY-970  | F-6      |
| 50300-ABF-100S | F-11  | 53222-KTR-900  | F-6      |
| 50300-ABF-100U | F-11  | 53230-AAB-A00  | F-6      |
| 50301-KTR-900  | F-6   | 53252-AAB-A00  | F-1A     |
| 50327-AAB-A00  | F-24B | 57111-AAB-A00  | F-4A-ABS |
| 50328-KVN-900  | F-25  | 61000-ABF-100T | F-5      |
| 50400-AAB-A000 | F-25B | 61000-ABF-100S | F-5      |
| 50450-AAB-A000 | F-25B | 61000-AAB-A00U | F-5      |
| 50500-AAB-A00  | F-18  | 61000-AAB-A00V | F-5      |
| 50505-KCC-900  | F-25  | 61000-ABF-120S | F-5A     |
| 50526-KCT-690  | F-18  | 61000-ABF-120T | F-5A     |
| 50530-KVE-900  | F-18  | 61000-AAB-A10U | F-5A     |
| 50600-AAB-010  | F-15  | 61000-AAB-A10V | F-5A     |
| 50612-AAB-A00  | F-15  | 61103-AAB-100  | F-1A     |
| 50619-KRY-970  | F-15  | 61103-KRY-900  | F-5      |
| 50638-KRY-970  | F-15  | 61103-KRY-900  | F-5A     |
| 50639-KRY-970  | F-15  | 61105-KTC-900  | F-1A     |
| 50642-AAB-A00  | F-15  | 61105-KTC-900  | F-5      |
| 50643-KCT-690  | F-15  | 61105-KTC-900  | F-5A     |
| 50661-KVE-860  | F-15  | 61107-KK6-000  | F-24B    |
| 50700-AAB-A00  | F-15  | 61301-AAB-A00  | F-1A     |
| 50718-AAB-H70  | F-15  | 61311-AAB-A00  | F-1A     |
| 50718-KRY-970  | F-15  | 61312-AAB-A00  | F-1A     |
| 50720-KRY-970  | F-15  | 61312-KCT-690  | F-1A     |
| 50730-KRY-970  | F-15  | 61322-AAB-C00R | F-1A     |
| 50803-AAB-A00  | F-28  | 61322-AAB-A00S | F-1A     |
| 50805-KVE-900  | F-28  | 61322-AAB-A00U | F-1A     |
| 51103-AAB-A00  | F-18A | 61322-AAB-A00V | F-1A     |
| 51400-AAB-A02  | F-6A  | 61323-AAB-C00R | F-1A     |

|               |      |                |      |
|---------------|------|----------------|------|
| 51401-AAB-A02 | F-6A | 61323-AAB-A00S | F-1A |
| 51403-AAB-A02 | F-6A | 61323-AAB-A00U | F-1A |
| 51410-AAB-A02 | F-6A | 61323-AAB-A00V | F-1A |
| 51412-AAB-A02 | F-6A | 64140-AAB-A00  | F-1A |
| 51413-AAB-A02 | F-6A | 64300-AAB-A000 | F-1A |

| <b>PART NO</b> | <b>BLOCK</b> | <b>PART NO</b> | <b>BLOCK</b> |
|----------------|--------------|----------------|--------------|
| 64310-198-D20A | F-29         | 86274-ABF-100S | F-27-WO-ABS  |
| 64311-AAB-A00  | F-1A         | 86274-AAB-C00R | F-27-WO-ABS  |
| 64315-AAB-A00  | F-1A         | 86274-ABF-100U | F-27-WO-ABS  |
| 64316-KVN-900  | F-1A         | 86275-ABF-100R | F-27-ABS     |
| 64400-AAB-A000 | F-1A         | 86275-ABF-100S | F-27-ABS     |
| 64720-AAB-A00  | F-11         | 86275-AAB-C00R | F-27-ABS     |
| 64820-AAB-A00  | F-11         | 86275-ABF-100U | F-27-ABS     |
| 75582-KCW-870  | F-10A        | 86275-ABF-100R | F-27-WO-ABS  |
| 77156-AAB-A00  | F-10         | 86275-ABF-100S | F-27-WO-ABS  |
| 77200-AAB-A00  | F-10         | 86275-AAB-C00R | F-27-WO-ABS  |
| 77204-KCC-900  | F-10         | 86275-ABF-100U | F-27-WO-ABS  |
| 77206-KTR-900  | F-10         | 86276-ABF-100R | F-27-ABS     |
| 77209-KAG-900  | F-22         | 86276-ABF-100S | F-27-ABS     |
| 77221-KVE-860  | F-10         | 86276-AAB-C00R | F-27-ABS     |
| 77232-AAB-A00  | F-22         | 86276-ABF-100U | F-27-ABS     |
| 77235-AAB-A000 | F-10A        | 86276-ABF-100R | F-27-WO-ABS  |
| 77239-AAB-H61  | F-10A        | 86276-ABF-100S | F-27-WO-ABS  |
| 77239-AAB-H61  | F-23         | 86276-AAB-C00R | F-27-WO-ABS  |
| 77240-ABF-100R | F-10A        | 86276-ABF-100U | F-27-WO-ABS  |
| 77244-AAB-000  | F-10A        | 86281-ABF-100R | F-27-ABS     |
| 77250-ABF-100R | F-10A        | 86281-ABF-100R | F-27-WO-ABS  |
| 77266-AAB-A000 | F-10A        | 86282-ABF-100R | F-27-ABS     |
| 80101-443-000  | F-1A         | 86282-ABF-100R | F-27-WO-ABS  |
| 80101-KVN-900  | F-11         | 86776-ABF-100R | F-27-ABS     |
| 80102-AAB-A00  | F-20         | 86776-ABF-100S | F-27-ABS     |
| 80103-AAB-A00  | F-29         | 86776-AAB-A00S | F-27-ABS     |
| 80111-KVN-900  | F-10A        | 86776-ABF-100R | F-27-WO-ABS  |
| 80112-KVN-900  | F-1A         | 86776-ABF-100S | F-27-WO-ABS  |
| 80112-KVN-900  | F-10A        | 86776-AAB-A00S | F-27-WO-ABS  |

|                   |             |                |             |
|-------------------|-------------|----------------|-------------|
| 80120-AAB-A00     | F-20        | 86780-AAB-A00S | F-27-ABS    |
| 80130-AAB-A00     | F-20        | 86780-ABF-100R | F-27-ABS    |
| 80150-AAB-A00     | F-20        | 86780-ABF-100S | F-27-ABS    |
| 83402-AAB-A00     | F-1A        | 86855-AAB-A000 | F-27-ABS    |
| 83403-AAB-A000-20 | F-24B       | 86855-AAB-A000 | F-27-WO-ABS |
| 83403-AAB-A000-21 | F-24B       | 86856-AAB-A000 | F-27-ABS    |
| 83500-AAB-A000    | F-12        | 86856-AAB-A000 | F-27-WO-ABS |
| 83545-AAB-A00     | F-4A-ABS    | 86880-AAB-A00S | F-27-ABS    |
| 83545-KCJ-690     | F-13        | 86880-ABF-100R | F-27-ABS    |
| 83550-AAB-C00R    | F-12        | 86880-ABF-100S | F-27-ABS    |
| 83550-AAB-A00S    | F-12        | 87277-AAB-A000 | F-27-ABS    |
| 83550-ABF-100U    | F-12        | 87277-AAB-A000 | F-27-WO-ABS |
| 83550-AAB-A00V    | F-12        | 87505-AAB-A00  | F-30        |
| 83551-300-000     | F-11        | 87507-AAB-A00  | F-30        |
| 83551-MA6-000     | F-15        | 87509-AAP-000  | F-30        |
| 83551-GE2-000     | F-20        | 87522-MAB-600  | F-30        |
| 83600-AAB-A000    | F-12        | 87560-AAB-H00  | F-30        |
| 83650-AAB-C00R    | F-12        | 88110-AAB-A000 | F-3A        |
| 83650-AAB-A00S    | F-12        | 88114-198-D10  | F-3A        |
| 83650-ABF-100U    | F-12        | 88120-AAB-A000 | F-3A        |
| 83650-AAB-A00V    | F-12        | 89102-538-000  | F-26        |
| 84701-P26-D00A    | F-29        | 89102-AAC-000  | F-26        |
| 86273-ABF-100R    | F-27-ABS    | 89103-538-000  | F-26        |
| 86273-ABF-100S    | F-27-ABS    | 89215-AAC-000  | F-26        |
| 86273-AAB-C00R    | F-27-ABS    | 89216-AAD-H00  | F-26        |
| 86273-ABF-100U    | F-27-ABS    | 90001-AAB-A00  | F-6         |
| 86273-ABF-100R    | F-27-WO-ABS | 90002-KRM-840  | E-1A        |
| 86273-ABF-100S    | F-27-WO-ABS | 90002-AAB-A00  | F-6         |
| 86273-AAB-C00R    | F-27-WO-ABS | 90003-KFG-000  | E-1         |
| 86273-ABF-100U    | F-27-WO-ABS | 90003-KVS-900  | E-10        |



|                |             |               |       |
|----------------|-------------|---------------|-------|
| 86274-ABF-100R | F-27-ABS    | 90003-MY5-720 | F-3A  |
| 86274-ABF-100S | F-27-ABS    | 90006-MEE-000 | E-11A |
| 86274-AAB-C00R | F-27-ABS    | 90008-KRM-840 | E-4   |
| 86274-ABF-100U | F-27-ABS    | 90012-KK3-830 | E-1C  |
| 86274-ABF-100R | F-27-WO-ABS | 90019-399-010 | F-25  |

| <b>PART NO</b> | <b>BLOCK</b> | <b>PART NO</b> | <b>BLOCK</b> |
|----------------|--------------|----------------|--------------|
| 90022-MG8-000  | E-10         | 90306-KVT-941  | F-24B        |
| 90031-KSP-910  | E-3B         | 90311-MT3-000  | F-13         |
| 90040-KSP-910  | E-1A         | 90311-MT3-000  | F-20         |
| 90042-AAB-A00  | F-4A-ABS     | 90320-GC3-000  | F-1A         |
| 90071-MB0-000  | E-5A         | 90320-GC3-000  | F-10A        |
| 90074-KVE-900  | F-11         | 90320-GC3-000  | F-20         |
| 90083-KRM-840  | E-2          | 90380-AAR-001  | F-21         |
| 90084-KVE-930  | E-3A         | 90380-AAR-001  | F-21A        |
| 90084-041-000  | E-8          | 90381-KWA-940  | F-12         |
| 90085-KTC-920  | E-9          | 90401-KRM-840  | E-4          |
| 90087-KVE-900  | E-3A         | 90402-AAB-A00  | E-7          |
| 90101-GE0-000  | F-1A         | 90403-AAB-A00  | E-7          |
| 90101-GE0-000  | F-10A        | 90404-KPT-A00  | E-1A         |
| 90101-GE0-000  | F-12         | 90417-KRM-840  | E-10         |
| 90101-GE0-000  | F-20         | 90417-041-000  | F-13A        |
| 90102-KVN-900  | F-3B         | 90432-KPT-A00  | E-6          |
| 90105-KVE-860  | F-1A         | 90441-KRM-840  | E-3B         |
| 90105-KL8-741  | F-7-ABS      | 90451-KRM-840  | E-9          |
| 90105-KL8-741  | F-7-WO-ABS   | 90452-KRM-840  | E-8          |
| 90105-KL8-741  | F-9          | 90452-GB4-770  | E-8          |
| 90107-KST-940  | F-14         | 90452-GB4-770  | E-9          |
| 90107-AAB-000  | F-18         | 90453-KRM-840  | E-8          |
| 90108-KVN-900  | F-11         | 90454-107-000  | E-8          |
| 90109-SB6-000  | F-1A         | 90455-KSP-910  | E-9          |
| 90111-187-000  | F-18A        | 90456-KRM-840  | E-8          |
| 90111-187-000  | F-20         | 90457-KRM-840  | E-10         |
| 90111-MR5-000  | F-23         | 90463-KRM-840  | E-1          |
| 90111-MR5-000  | F-24-ABS     | 90501-KPT-A00  | E-4          |
| 90111-MR5-000  | F-24-WO-ABS  | 90501-KPT-A00  | E-5          |

|                |            |                |            |
|----------------|------------|----------------|------------|
| 90111-187-000  | F-24B      | 90501-KRY-970  | F-2-ABS    |
| 90113-438-000  | F-3B       | 90501-KRY-970  | F-2-WO-ABS |
| 90114-166-000L | F-4-WO-ABS | 90502-KVE-900  | F-13A      |
| 90114-166-000L | F-4A-ABS   | 90502-155-000  | F-17       |
| 90115-MV9-000  | F-15       | 90503-KTR-900  | F-6        |
| 90116-AAB-A02  | F-6A       | 90505-KRM-860  | F-17A      |
| 90122-KVT-941  | F-24B      | 90522-AAB-000  | F-18A      |
| 90123-AAB-A02  | F-6A       | 90534-MV4-000  | F-11       |
| 90124-AAB-A01  | F-21       | 90543-MV9-670  | E-1        |
| 90131-KRM-840  | E-3B       | 90544-AAB-A02  | F-6A       |
| 90145-MS9-610  | F-4-WO-ABS | 90545-300-000  | F-4-WO-ABS |
| 90145-MS9-610  | F-4A-ABS   | 90545-300-000  | F-4A-ABS   |
| 90145-MS9-610  | F-8        | 90545-300-000  | F-8        |
| 90154-AAB-A00  | F-19       | 90560-KVE-900  | F-9        |
| 90155-KY4-900  | F-4-WO-ABS | 90601-AAB-A00  | E-8        |
| 90155-KY4-900  | F-4A-ABS   | 90601-AAB-A02  | F-6A       |
| 90159-AAB-A00  | F-19       | 90601-KAF-003  | F-13       |
| 90201-KRM-840  | E-5        | 90601-KAF-003  | F-13A      |
| 90201-MW3-620  | F-3A       | 90601-KAF-003  | F-23       |
| 90202-KRM-840  | E-4        | 90602-KRM-840  | E-8        |
| 90206-250-000  | E-1C       | 90604-AAB-A00  | E-7        |
| 90231-KM7-700  | E-6        | 90605-200-000  | E-8        |
| 90302-KBP-900  | F-16       | 90651-MA5-671L | F-4-WO-ABS |
| 90304-KSP-900  | F-6        | 90651-MA5-671L | F-4A-ABS   |
| 90304-KCS-920  | F-9        | 90652-AAW-300  | F-4A-ABS   |
| 90304-KFN-850  | F-18       | 90666-AAB-000  | F-10A      |
| 90304-KST-942  | F-19       | 90677-KAN-961  | F-22       |
| 90305-KVN-900  | F-9        | 90701-KFN-850  | E-3        |
| 90305-KSP-900  | F-14       | 90704-KRM-840  | E-1A       |
| 90305-KVN-900  | F-18A      | 90741-KGH-900  | E-7        |

|               |            |               |            |
|---------------|------------|---------------|------------|
| 90306-ABF-000 | E-1A       | 90741-KFB-000 | E-7        |
| 90306-KST-942 | F-7-ABS    | 90755-229-000 | F-7-ABS    |
| 90306-KTE-911 | F-7-ABS    | 90755-229-000 | F-7-WO-ABS |
| 90306-KST-942 | F-7-WO-ABS | 91001-GF6-000 | E-3B       |
| 90306-KTE-911 | F-7-WO-ABS | 91001-KTN-900 | E-3B       |

| <b>PART NO</b> | <b>BLOCK</b> | <b>PART NO</b> | <b>BLOCK</b> |
|----------------|--------------|----------------|--------------|
| 91002-KSP-911  | E-7          | 93903-34120    | F-1          |
| 91003-KSP-910  | E-3B         | 93903-24380    | F-1A         |
| 91004-KTN-900  | E-3B         | 93903-22480    | F-2-ABS      |
| 91008-KTN-900  | E-1C         | 93903-22480    | F-2-WO-ABS   |
| 91010-ABF-001  | E-3B         | 93903-34310    | F-10A        |
| 91022-KTN-900  | E-9          | 93903-34380    | F-11         |
| 91071-KVN-900  | F-18A        | 93903-34220    | F-12         |
| 91101-ABF-000  | E-7          | 93903-25380    | F-13         |
| 91102-ABF-000  | E-7          | 93903-24380    | F-20         |
| 91103-ABF-000  | E-7          | 93903-25210    | F-20         |
| 91202-KSP-911  | E-3          | 93903-34380    | F-20         |
| 91203-KSP-910  | E-3B         | 94001-06000-0S | F-2-ABS      |
| 91204-MC7-003  | E-3B         | 94001-06000-0S | F-2-WO-ABS   |
| 91212-422-006  | F-8          | 94001-06000-0S | F-16         |
| 91216-KSP-910  | E-3B         | 94001-05070-0S | F-22         |
| 91251-KPH-901  | F-7-ABS      | 94002-08000-0S | F-3          |
| 91251-KPH-901  | F-7-WO-ABS   | 94002-06000-0S | F-3B         |
| 91253-KSP-901  | F-9          | 94002-08000-0S | F-8          |
| 91254-AAB-A02  | F-6A         | 94030-08000    | F-3          |
| 91254-KS6-003  | F-18A        | 94050-12000    | E-7          |
| 91255-AAB-A02  | F-6A         | 94050-06000    | F-1          |
| 91257-230-003  | F-9          | 94050-06000    | F-3B         |
| 91258-KWC-901  | F-7-ABS      | 94050-06000    | F-4-WO-ABS   |
| 91258-KWC-901  | F-7-WO-ABS   | 94050-06000    | F-4A-ABS     |
| 91303-KRM-840  | E-3A         | 94050-06000    | F-6A         |
| 91304-KRM-840  | E-11A        | 94050-08000    | F-8A         |
| 91305-KRM-840  | E-3A         | 94050-06000    | F-11         |
| 91305-KPH-900  | E-5A         | 94050-06000    | F-13A        |
| 91305-443-740  | F-11         | 94050-10000    | F-14         |

|                 |             |             |       |
|-----------------|-------------|-------------|-------|
| 91306-MG3-000   | E-2         | 94050-08000 | F-15  |
| 91307-KRM-840   | E-6         | 94050-05000 | F-20  |
| 91309-425-003   | E-5A        | 94050-08000 | F-21  |
| 91309-MJ0-003   | E-11A       | 94050-08000 | F-21A |
| 91320-MB0-000   | E-5A        | 94050-06000 | F-22  |
| 91352-KSP-900   | F-9         | 94050-08000 | F-25  |
| 91356-AAB-A02   | F-6A        | 94050-10000 | F-25  |
| 91455-MG8-000   | F-3B        | 94050-08070 | F-28  |
| 91509-GE2-760   | F-1A        | 94050-08000 | F-28  |
| 91540-AAN-410   | F-24-ABS    | 94101-05000 | F-13  |
| 91540-AAN-410   | F-24-WO-ABS | 94101-06000 | F-14  |
| 91551-AAB-100   | F-24-ABS    | 94101-06000 | F-15  |
| 91551-AAB-100   | F-24-WO-ABS | 94101-05000 | F-29  |
| 92000-06012-0A  | F-29        | 94101-06000 | F-29  |
| 92501-AAB-A00   | F-15        | 94102-08000 | F-15  |
| 92915-10025-0E  | F-9         | 94102-08000 | F-17A |
| 93500-05016-1H  | F-13        | 94103-10000 | F-14  |
| 93500-05025-0G  | F-13        | 94103-06000 | F-17  |
| 93500-05020-0A  | F-29        | 94103-06000 | F-22  |
| 93600-05016-0G  | E-1A        | 94109-12000 | E-3B  |
| 93600-06040-0G  | E-6         | 94201-20150 | F-8   |
| 93600-04012-1GL | F-4-WO-ABS  | 94201-25250 | F-11  |
| 93600-04012-1GL | F-4A-ABS    | 94201-16120 | F-15  |
| 93600-04045-1G  | F-8         | 94201-20150 | F-15  |
| 93700-05012-0A  | E-6         | 94201-20150 | F-17  |
| 93891-05008-00  | F-4A-ABS    | 94201-30300 | F-18  |
| 93892-05020-07  | F-3B        | 94251-08000 | E-6   |
| 93892-05025-07  | F-3B        | 94301-08140 | E-1   |
| 93892-05045-07  | F-3B        | 94301-10120 | E-1A  |
| 93893-04012-17  | F-4-WO-ABS  | 94301-10120 | E-1B  |

|                |          |             |      |
|----------------|----------|-------------|------|
| 93893-04012-17 | F-4A-ABS | 94301-08140 | E-3  |
| 93893-04012-17 | F-8      | 94301-08140 | E-3A |
| 93901-AAB-100  | F-1      | 94301-08140 | E-3B |
| 93901-AAR-001  | F-21     | 94301-08140 | E-6  |
| 93901-AAR-001  | F-21A    | 94305-20102 | F-8  |

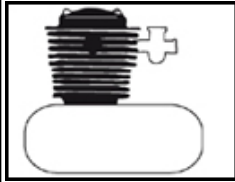
| <b>PART NO</b> | <b>BLOCK</b> | <b>PART NO</b> | <b>BLOCK</b> |
|----------------|--------------|----------------|--------------|
| 94510-16000    | E-9          | 95701-06020-07 | F-25A        |
| 94510-14000    | E-10         | 95701-08025-07 | F-25B        |
| 94601-15000    | E-7          | 95801-06105-00 | E-1A         |
| 95002-40800-08 | E-11A        | 95801-10055-00 | F-14         |
| 95002-50000    | F-11         | 95801-08085-00 | F-25         |
| 95002-02080    | F-11A        | 95801-08095-00 | F-28         |
| 95002-02100    | F-11A        | 96001-06012-00 | E-1          |
| 95002-02130    | F-11A        | 96001-06022-00 | E-2          |
| 95002-70000    | F-11A        | 96001-06030-00 | E-3          |
| 95002-02070    | F-13A        | 96001-06040-00 | E-3          |
| 95014-72102    | F-18         | 96001-06030-00 | E-3A         |
| 95014-71702    | F-18         | 96001-06035-00 | E-3A         |
| 95015-54000    | F-8          | 96001-06045-00 | E-3A         |
| 95018-58320    | F-13         | 96001-06018-00 | E-3B         |
| 95701-06016-00 | E-1A         | 96001-06022-00 | E-11A        |
| 95701-06014-00 | E-1A         | 96001-06022-07 | F-3B         |
| 95701-06006-00 | E-2          | 96001-06022-07 | F-4-WO-ABS   |
| 95701-06016-00 | E-2          | 96001-06022-07 | F-4A-ABS     |
| 95701-06016-00 | E-3B         | 96001-06014-02 | F-14         |
| 95701-06040-00 | E-3B         | 96001-06012-00 | F-17         |
| 95701-06045-00 | E-3B         | 96001-06016-00 | F-24-ABS     |
| 95701-06070-00 | E-3B         | 96001-06020-00 | F-24-ABS     |
| 95701-06014-00 | E-3B         | 96001-06016-00 | F-24-WO-ABS  |
| 95701-06022-00 | E-5A         | 96001-06020-00 | F-24-WO-ABS  |
| 95701-06020-00 | E-5A         | 96100-62030-00 | E-3B         |
| 95701-06016-00 | E-9          | 96100-63010-00 | E-3B         |
| 95701-06016-00 | E-11A        | 96100-60030-00 | E-4          |
| 95701-06012-00 | F-1A         | 96140-63010-10 | F-7-ABS      |
| 95701-06016-07 | F-1A         | 96140-63010-10 | F-7-WO-ABS   |



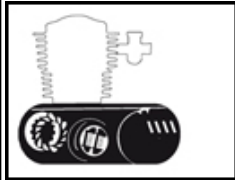
|                |            |                |             |
|----------------|------------|----------------|-------------|
| 95701-06022-07 | F-1A       | 96140-63020-10 | F-9         |
| 95701-08020-00 | F-1A       | 96150-60050-10 | F-9         |
| 95701-06012-07 | F-2-ABS    | 96211-08000    | F-15        |
| 95701-06012-07 | F-2-WO-ABS | 96211-08000    | F-17A       |
| 95701-06012-07 | F-4-WO-ABS | 96220-30085    | E-10        |
| 95701-06020-00 | F-4-WO-ABS | 96600-06016-00 | E-5         |
| 95701-06012-07 | F-4A-ABS   | 96600-06022-00 | E-5         |
| 95701-06020-07 | F-4A-ABS   | 96600-05012-18 | F-7-ABS     |
| 95701-06020-00 | F-4A-ABS   | 96600-08025-00 | F-23        |
| 95701-06018-00 | F-4A-ABS   | 96700-08040-00 | F-17A       |
| 95701-06020-00 | F-4B       | 98200-32000    | F-23        |
| 95701-06022-00 | F-5        | 98200-31000    | F-24-ABS    |
| 95701-06022-00 | F-5A       | 98200-31500    | F-24-ABS    |
| 95701-06020-07 | F-8        | 98200-31000    | F-24-WO-ABS |
| 95701-06022-08 | F-8        | 98200-31500    | F-24-WO-ABS |
| 95701-06020-00 | F-8        | 99006-AAB-A00  | F-26        |
| 95701-06012-00 | F-10       | 99007-AAB-A00  | F-26        |
| 95701-06020-00 | F-10A      |                |             |
| 95701-06012-00 | F-11       |                |             |
| 95701-08025-08 | F-11       |                |             |
| 95701-06012-07 | F-13       |                |             |
| 95701-06020-00 | F-13       |                |             |
| 95701-06030-00 | F-13A      |                |             |
| 95701-10025-00 | F-15       |                |             |
| 95701-06020-00 | F-17       |                |             |
| 95701-08040-07 | F-18A      |                |             |
| 95701-06012-07 | F-18A      |                |             |
| 95701-06016-00 | F-20       |                |             |
| 95701-06012-00 | F-22       |                |             |
| 95701-06025-08 | F-22       |                |             |

|                |             |  |
|----------------|-------------|--|
| 95701-05016-00 | F-23        |  |
| 95701-06014-18 | F-24-ABS    |  |
| 95701-06014-18 | F-24-WO-ABS |  |
| 95701-06018-00 | F-24B       |  |
| 95701-06012-07 | F-25        |  |

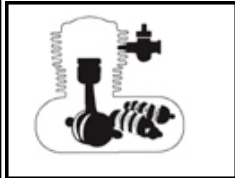
## BLOCK INDEX - GROUP Engine - Hunk 200R (Aug, 2018).



|      |                                             |   |
|------|---------------------------------------------|---|
| E-1  | CYLN. & CYLN HEAD (CYLINDER HEAD COVER)     | 1 |
| E-1A | CYLN. & CYLN HEAD (CYLINDER HEAD)           | 2 |
| E-1B | CYLN. & CYLN HEAD (CYLINDER)                | 3 |
| E-1C | CYLN. & CYLN HEAD (CAM SHAFT / VALVE)       | 4 |
| E-2  | CAM SHAFT (CAM CHAIN TENSIONER)             | 5 |
| E-3  | CRANK CASE & COVER (RIGHT CRANK CASE COVER) | 6 |
| E-3A | CRANK CASE & COVER (LEFT CRANK CASE COVER)  | 7 |
| E-3B | CRANK CASE & COVER (CRANK CASE)             | 8 |



|      |                                    |    |
|------|------------------------------------|----|
| E-4  | CLUTCH                             | 9  |
| E-5  | ELECTRICALS (AC GEN ASSY)          | 10 |
| E-5A | ELECTRICALS (STARTER MOTOR)        | 11 |
| E-6  | OIL PUMP ASSY.                     | 12 |
| E-7  | CRANK SHAFT (CRANK SHAFT / PISTON) | 13 |
| E-8  | TRANSMISSION                       | 14 |

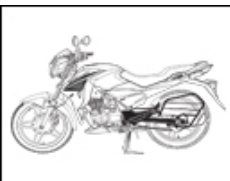


|       |                                     |    |
|-------|-------------------------------------|----|
| E-9   | KICK STARTER (SPINDLE KICK STARTER) | 15 |
| E-10  | GEAR SHIFT (DRUM GEAR SHIFT)        | 16 |
| E-11  | CARBURETTOR                         | 17 |
| E-11A | EXHAUST (AIR FEED PIPE/INLET PIPE)  | 18 |

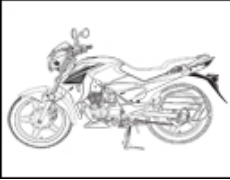
## BLOCK INDEX - GROUP Frame - Hunk 200R (Aug, 2018).



|  |            |                                                   |    |
|--|------------|---------------------------------------------------|----|
|  | F-1        | HEAD LIGHT                                        | 19 |
|  | F-1A       | FAIRING (FR. VISOR/COWL/STAY)                     | 20 |
|  | F-2-ABS    | SPEEDOMETER / CABLE                               | 21 |
|  | F-2-WO-ABS | SPEEDOMETER / CABLE                               | 22 |
|  | F-3        | HANDLE LEVER / SWITCH/CABLES                      | 23 |
|  | F-3A       | MIRROR ASSY.                                      | 24 |
|  | F-3B       | HANDLE & HNDL COVER HANDLE LEVER / SWITCH/CABLES) | 25 |
|  | F-4-WO-ABS | FRONT BRAKE (MASTER CYLINDER) (W/O ABS)           | 26 |
|  | F-4A-ABS   | FRONT BRAKE (MASTER CYLINDER) (ABS)               | 27 |
|  | F-4B       | FRONT BRAKE (CALIPER ASSY 'R' FR.)                | 28 |
|  | F-5        | FRONT FENDER (ABS)                                | 29 |
|  | F-5A       | FRONT FENDER (W/O ABS)                            | 30 |
|  | F-6        | FRONT CUSHION (STEERING STEM)                     | 31 |
|  | F-6A       | FRONT CUSHION                                     | 32 |
|  | F-7-ABS    | FRONT WHEEL                                       | 33 |
|  | F-7-WO-ABS | FRONT WHEEL                                       | 34 |
|  | F-8        | REAR BRAKE (MASTER CYL.)                          | 35 |
|  | F-8A       | REAR BRAKE (CALIPER ASSY. REAR)                   | 36 |
|  | F-9        | RR WHEEL / FLANGE ASSY. DRIVEN                    | 37 |
|  | F-10       | SEAT ASSY.                                        | 38 |
|  | F-10A      | BODY COVER (R./L. COWLS)                          | 39 |
|  | F-11       | FUEL TANK                                         | 40 |
|  | F-11A      | FUEL TANK (CANISTER ASSY.)                        | 41 |



## BLOCK INDEX - GROUP Frame - Hunk 200R (Aug, 2018).



F-12  
F-13  
F-13A  
F-14  
F-15  
F-15A

SIDE COVER  
AIR CLEANER  
AIR CLEANER (AIR SUCTION VALVE)  
MUFFLER  
STEP PILLION / HOLDER / BRKT.  
STEP PILLION / HOLDER / BRKT. (PEDAL BRAKE)

42  
43  
44  
45  
46  
47



F-16  
F-17  
F-17A  
F-18  
F-18A  
F-19  
F-20

CHAIN DRIVE / ADJUSTER CHAIN  
PEDAL  
KICK STARTER  
CHAIN CASE & STAND  
SWINGARM / GUARD SAREE /CHAIN CASE  
CUSHION REAR  
REAR FENDER

48  
49  
50  
51  
52  
53  
54















F-21  
F-21A  
F-22  
F-23

FRONT WINKER  
REAR WINKER  
TAIL LIGHT  
SWITCH ASSY ./ RELAY / LOCK ASSY. / KEY BLANK

55  
56  
57  
58

## BLOCK INDEX - GROUP Frame - Hunk 200R (Aug, 2018).



|                                                                                   |             |                                         |    |
|-----------------------------------------------------------------------------------|-------------|-----------------------------------------|----|
|  | F-24-ABS    | ELECTRICALS (WIRE HARNESS/START CABLES) | 59 |
|  | F-24-WO-ABS | ELECTRICALS (WIRE HARNESS/START CABLES) | 60 |
|  | F-24B       | BATTERY ASSY.                           | 61 |
|  | F-25        | FRAME BODY                              | 62 |
|  | F-25A       | HORN ASSY.                              | 63 |
|  | F-25B       | GRIP REAR                               | 64 |
|  | F-26        | TOOLS                                   | 65 |
|  | F-27-ABS    | STRIPE/ MARKS                           | 66 |
|  | F-27-WO-ABS | STRIPE/ MARKS                           | 74 |
|  | F-28        | GUARD FRONT                             | 80 |
|  | F-29        | FR./RR. NUMBER PLATE (OPTIONAL)         | 81 |
|  | F-30        | CAUTION LABEL                           | 82 |