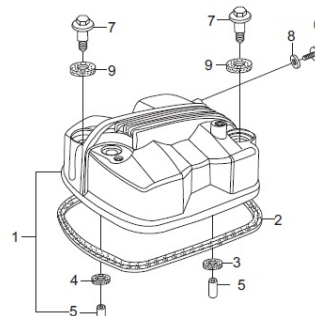


PARTS CATALOGUE

Hunk (Feb, 2017)

E-1 CYLINDER HEAD COVER

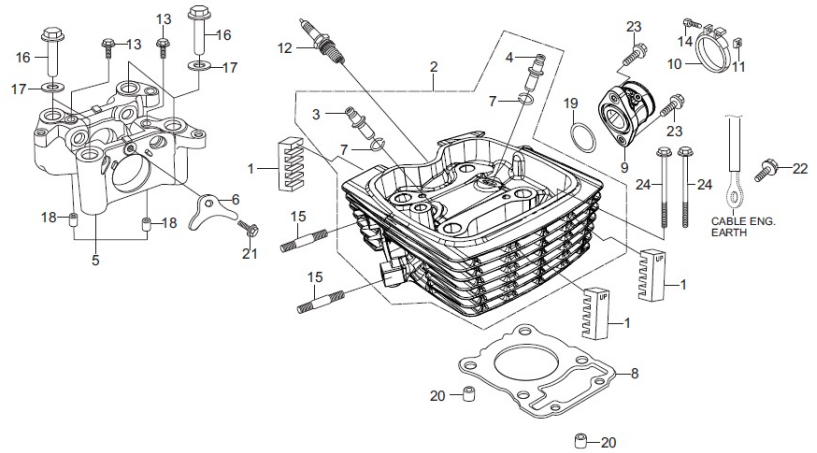


Group Number: E-1 Model :: Hunk (Feb, 2017)

Ref No.	Part Number	Description	Req.
1	12311-AAM-100	COVER CYLINDER HEAD	1
2	12391-KRM-840	GASKET, HEAD COVER	1
3	12396-KRM-840	GASKET,B, HEAD COVER	1
4	12397-KSP-910	GASKET,CYL. HEAD COVER	1
5	94301-08140	DOWEL PIN, 8X14	2
6	96001-06012-00	BOLT,FLANGE,SH.,6 X 12	1
7	90003-KFG-000	BOLT, L COVER	2
8	90463-KRM-840	WASHER SEALING 6.2 MM	1
9	90543-MV9-670	RUBBER, MOUNT	2

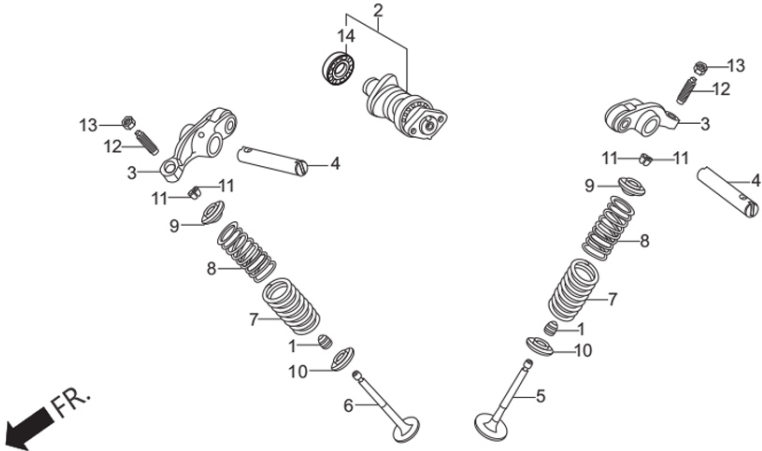
E-1A CYLINDER HEAD

FR.



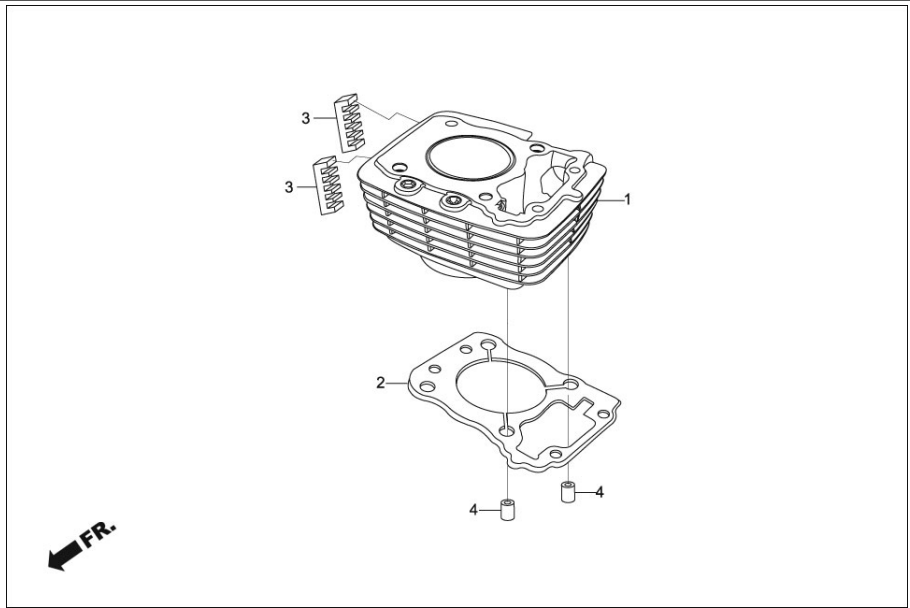
Service Item	F.R.T.	Group Number: E-1A Model :: Hunk (Feb, 2017)			
		Ref No.	Part Number	Description	Req.
* PLUG, SPARK	0.1	1	12195-KVE-900	RUBBER , INSERT	3
* BOLT, STUD, 8 X 22	0.3	2	12200-AAB-700	HEAD COMP., CYLINDER	1
(ADD 0.1 FOR EACH)	--	3	12204-KRM-305	GUIDE VALVE, (O. S.)	1
* INSULATOR COMP., CARBURETOR	0.4	4	12205-KSP-305	GUIDE, INLET, VALVE (O.S.)	1
* HOLDER COMP., CAMSHAFT	0.9	5	12210-KSP-910	HOLDER COMP., CAM SHAFT	1
* GASKET, CYLINDER HEAD	1.4	6	12212-KRM-840	PLATE, STOPPER	1
* GUIDE IN VALVE	2.0	7	12213-KSP-910	CLIP VALVE GUIDE	2
(INC. REAMING)	--	8	12251-KRM-B41	GASKET, CYLINDER HEAD	1
(ADD 0.3 FOR EACH)	0.2	9	16210-AAB-701	INSULATOR COMP., CARB	1
(EXC. VALVE REFACING)	*3.7	10	16217-KSP-910	BAND INSULATOR	1
(ADD MORE 0.2 IF PERFORMED)	--	11	16222-KSP-910	NUT, SQUARE, 5 MM	1
* HEAD COMP., CYLINDER	--	12	31916-KRM-84099	SPARK PLUG	1
		13	90002-KRM-840	BOLT, FLANGE 5X14	2
		14	90006-MEE-000	BOLT RECESSED 5 X 30	1
		15	90040-KSP-910	BOLT STUD 8 X 22	2
		16	90306-KRM-840	NUT CYLINDER HEAD	4
		17	90404-KPT-A00	WASHER PLAIN 12MM	4
		18	90704-KRM-840	DOWEL PIN 6 X10	2
		19	91304-KRM-840	O-RING 33.5 X 3.0	1
		20	94301-10120	DOWEL PIN, 10X12	2
		21	95701-06014-00	BOLT, FLANGE, 6 X 14	1
		22	95701-06016-00	BOLT, FLANGE, 6X16	1
		23	95701-06022-00	BOLT, FLANGE, SH. 6 X 22	2
		24	95801-06105-00	BOLT FLANGE 6 X 105	2

E-2
CAM SHAFT / VALVE



Service Item	F.R.T.	Group Number: E-2 Model :: Hunk (Feb, 2017)			
		Ref No.	Part Number	Description	Req.
* CAMSHAFT COMP.	0.7	1	12209-AAN-410	SEAL VALVE STEM	2
* ARM COMP., VALVE ROCKER (SAME TIME FOR TWO UNITS)	0.8 --	2	14100-AAB-100	SHAFT COMP CAM	1
* BEARING, RADIAL BALL, 6001	0.9	3	14430-KSP-910	ARM COMP., VALVE ROCKER	2
* SPRING, VALVE (ADD 0.1 FOR EACH)	1.6 --	4	14451-KRM-840	SHAFT, ROCKER ARM	2
* VALVE EX (ADD 0.2 FOR EACH)	1.8 --	5	14711-KSP-910	VALVE, INLET	1
(INC. REFACING)	--	6	14721-KVE-900	VALVE, EXH.	1
(EXC. VALVE GUIDE REPLACEMENT)	--	7	14751-AAB-100	SPRING VALVE OUTER	2
		8	14761-AAB-100	SPRING VALVE INNER	2
		9	14771-KSP-910	RETAINER, VALVE SPRING	2
		10	14777-KSP-910	SEAT, VALVE SPRING	2
		11	14781-MA6-000	COTTER, VALVE	4
		12	90012-KK3-830	SCREW, TAPPET ADJUSTING	2
		13	90206-250-000	NUT, TAPPET ADJUSTING	2
		14	91008-KTN-900	BRG. BALL RADIAL, 12 X 28 X 8	1

E-3 CYLINDER

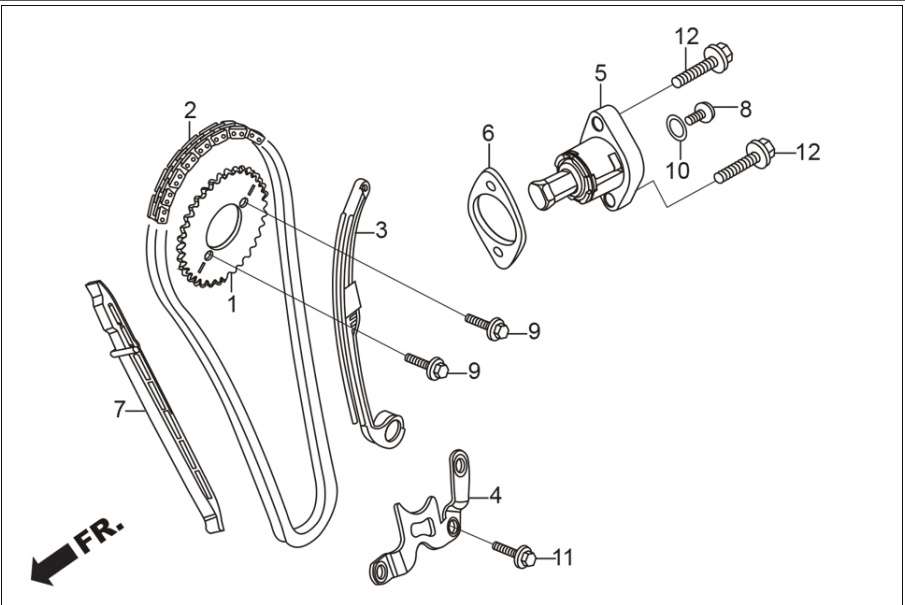


Service Item	F.R.T.
GASKET, CYLINDER	1.6
CYLINDER COMP.,	1.7

Group Number: E-3 Model :: Hunk (Feb, 2017)

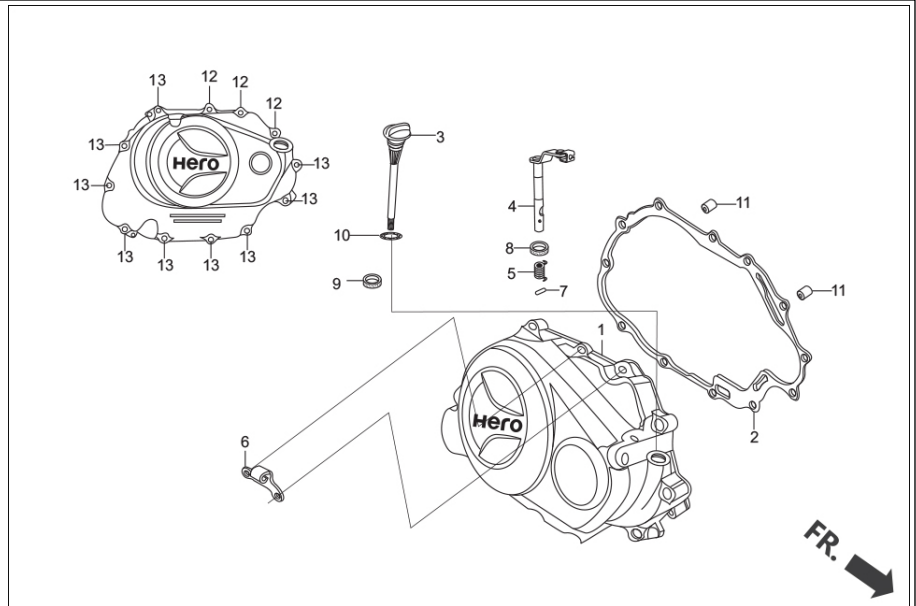
Ref No.	Part Number	Description	Req.
1	12100-KVE-900	CYLINDER COMP.,	1
2	12191-KWK-900	GASKET, CYLINDER	1
3	12195-KVE-900	RUBBER , INSERT	2
4	94301-10120	DOWEL PIN, 10X12	2

E-4
CAM CHAIN TENSIONER



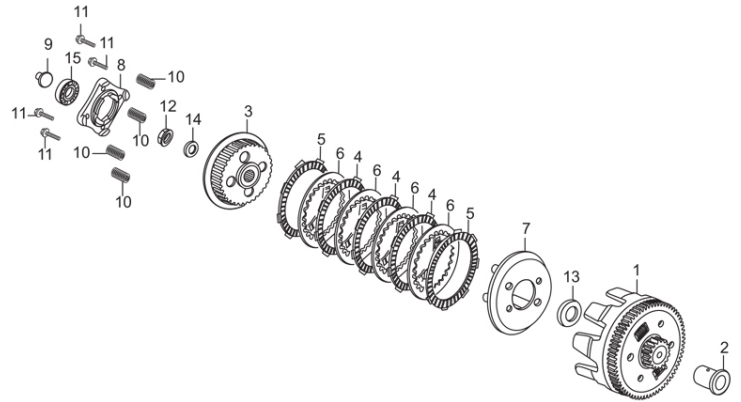
Service Item	F.R.T.	Group Number: E-4 Model :: Hunk (Feb, 2017)			
* LIFTER ASSY., TENSIONER	0.2	Ref No.	Part Number	Description	Req.
* SPROCKET, CAM, (34 T)	0.5	1	14321-KRM-840	SPROCKET, CAM, (34T)	1
* TENSIONER ASSY., CAM CHAIN	0.9	2	14401-KCW-851	CHAIN, CAM	1
* CHAIN, CAM	1	3	14510-KVE-900	TENSIONER ASSY.,CAM CHAIN	1
* GUIDE, CAM CHAIN	1.4	4	14515-KRM-840	PLATE, TENSIONER SET	1
		5	14520-AAB-A0099	LIFTER ASSY TENSIONER	1
		6	14560-KSP-910	GASKET, TENSIONER LIFTER	1
		7	14610-KSP-910	GUIDE CAM CHAIN	1
		8	90005-KY7-000	SCREW, PAN, 6X6	1
		9	90083-KRM-840	BOLT, KNOCK, 5 MM	2
		10	91306-MG3-000	O- RING, 1.5X9.5	1
		11	95701-06016-00	BOLT, FLANGE, 6X16	1
		12	96001-06022-00	BOLT, FLANGE, SH. 6 X 22	2

E-5
RIGHT CRANK CASE COVER



Service Item	F.R.T.	Group Number: E-5 Model :: Hunk (Feb, 2017)			
* GASKET, R CRANKCASE COVER	0.6	Ref No.	Part Number	Description	Req.
* OIL SEAL ,16 X28 X 27	--	1	11330-AAK-100	COVER COMP. R CRANK CASE	1
* COVER COMP., R CRANKCASE	0.7	2	11393-KWK-900	GASKET, RIGHT COVER	1
* LEVER COMP., CLUTCH	--	3	15650-KVN-970	GAUGE,OIL LEVEL	1
(INC. RELATIVE PART)	--	4	22810-KRM-B00	LEVER COMP CLUTCH	1
		5	22815-428-000	SPRING, CLUTCH LEVER	1
		6	22821-KRM-840	RECEIVER, CLUTCH CABLE	1
		7	90701-KFN-850	PIN, SPRING, 3 X 10	1
		8	91202-KSP-911	OIL SEAL, 12 X 18 X 4	1
		9	91204-MC7-003	OIL SEAL, 16 X 28 X 7	1
		10	91307-KRM-840	O-RING, 18 X 3	1
		11	94301-08140	DOWEL PIN, 8X14	2
		12	96001-06030-00	BOLT, FLANGE, SH., 6 X 30	3
		13	96001-06040-00	BOLT, FLANGE, SH. 6 X 40	9

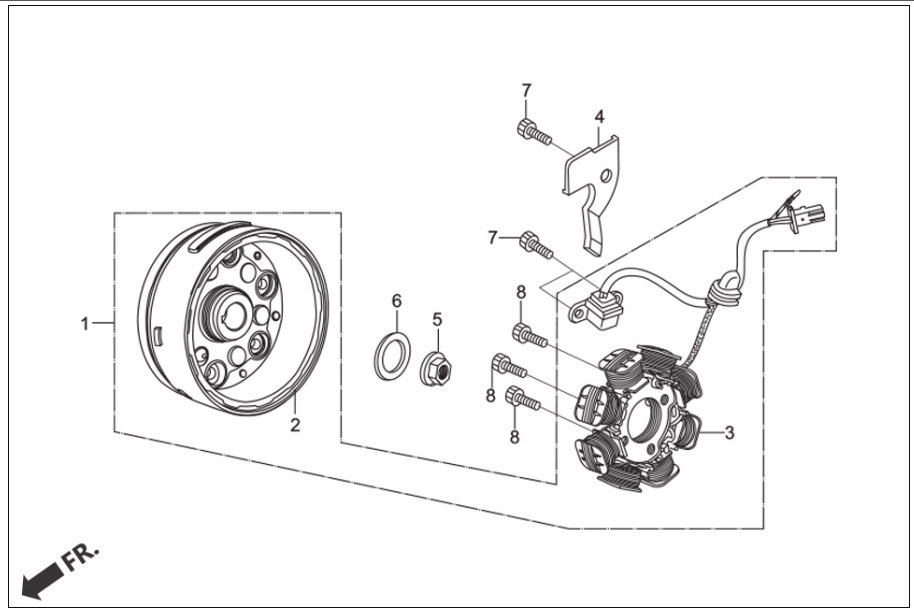
E-6 CLUTCH



FR.

Service Item	F.R.T.	Group Number: E-6 Model :: Hunk (Feb, 2017)			
		Ref No.	Part Number	Description	Req.
ROD, CLUTCH LIFTER	0.6	1	22100-KTN-900	OUTER COMP., CLUTCH	1
SPRING, CLUTCH	0.7	2	22115-KSP-910	GUIDE, CLUTCH OUTER	1
(SAME TIME FOR TWO UNITS OR MORE)	--	3	22120-KRM-840	CENTRE CLUTCH	1
CENTER, CLUTCH	0.8	4	22201-KPM-850	DISK,CLUTCH FRICTION,4 X 8 X 45	3
DISC, CLUTCH FRICTION	--	5	22201-MR8-000	DISC CLUTCH FRICTION	2
(INC. RELATIVE PART)	--	6	22321-KPS-900	PLATE, CLUTCH	4
(SAME TIME FOR TWO UNITS OR MORE)	--	7	22355-KRM-840	PLATE, CLUTCH PRESSURE	1
OUTER COMP., CLUTCH	--	8	22361-KPK-900	PLATE,CLUTCH LIFTER	1
		9	22366-KSP-910	ROD, CLUTCH LIFTER	1
		10	22401-KRM-840	SPRING CLUTCH	4
		11	90008-KRM-840	BOLT, FLANGE 6 X 25	4
		12	90202-KRM-840	NUT SPL FLANGE 14MM	1
		13	90401-KRM-840	WASHER PLAIN 17MM	1
		14	90501-KPT-A00	WASHER 14.1X29X2.8	1
		15	96100-60030-00	BEARING, RADIAL BALL, 6003	1

E-7
A. C. GEN. ASSY.

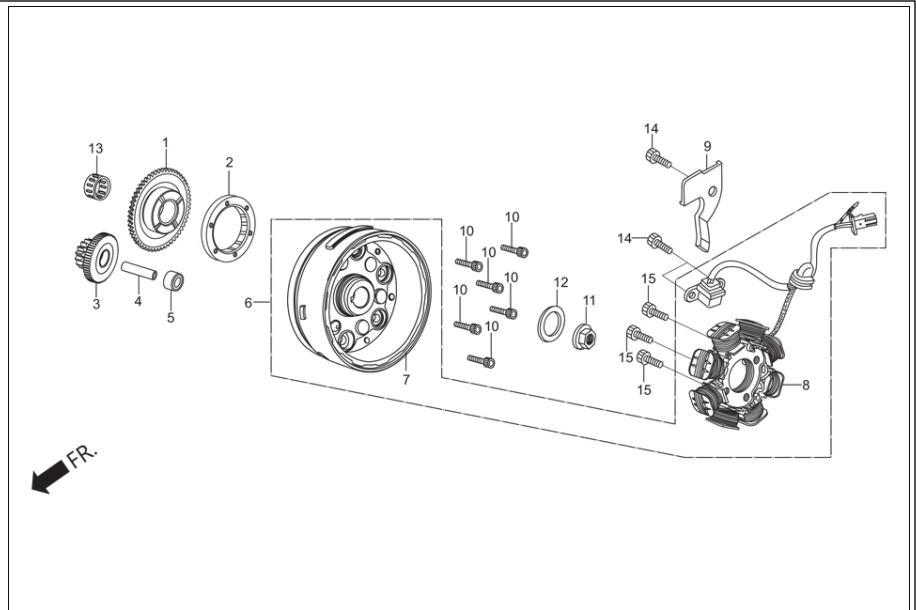


Service Item	F.R.T.
* FLY WHEEL COMP	0.5
* STATOR COMP	--

Group Number: E-7 Model :: Hunk (Feb, 2017)

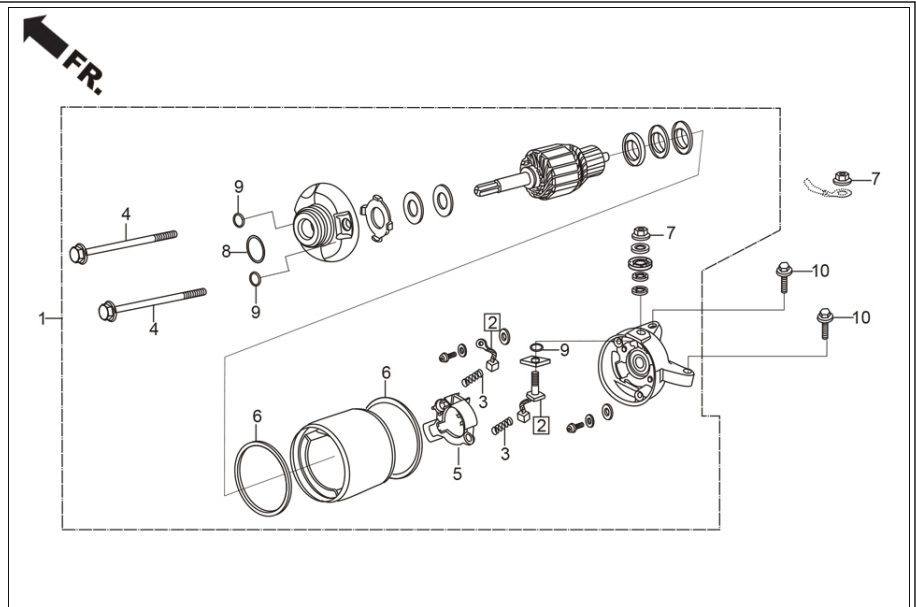
Ref No.	Part Number	Description	Req.
1	31100-KSP-B01	AC GEN ASSY	1
2	31110-KSP-B01	FLYWHEEL COMP	1
3	31120-KSP-B01	STATOR COMP	1
4	32111-KSP-910	CLAMPER, ACG CORD	1
5	90201-KRM-840	NUT, FLANGE, 14 MM	1
6	90501-KPT-A00	WASHER 14.1X29X2.8	1
7	96600-06016-00	BOLT, SOCKET, 6 X 16	3
8	96600-06022-00	SOCKET BOLT 6X22	3

E-7A
A. C. GEN. ASSY.



Service Item	F.R.T.	Group Number: E-7A Model :: Hunk (Feb, 2017)			
		Ref No.	Part Number	Description	Req.
FLYWHEEL COMP.	0.5	1	28110-KTN-900	GEAR COMP., STARTER DRIVEN	1
STATOR, COMP.,	--	2	28120-KTR-A00A	ASSY. ONEWAY CLUTCH	1
		3	28131-KTN-900	GEAR STARTER REDUCTION	1
		4	28132-KN6-930	SHAFT, REDUCTION GEAR	1
		5	28133-KRM-850	COLLAR, STARTER REDUCTION	1
		6	31100-KSP-B01	AC GEN ASSY	1
		7	31110-KSP-B01	FLYWHEEL COMP	1
		8	31120-KSP-B01	STATOR COMP	1
		9	32111-KSP-910	CLAMPER, ACG CORD	1
		10	90085-KTC-920	BOLT, SOCKET, 6 X 14	6
		11	90201-KRM-840	NUT, FLANGE, 14 MM	1
		12	90501-KPT-A00	WASHER 14.1X29X2.8	1
		13	91022-KTN-900	BEARING NEEDLE, 22 X 29 X 16.8	1
		14	96600-06016-00	BOLT, SOCKET, 6 X 16	3
		15	96600-06022-00	SOCKET BOLT 6X22	3

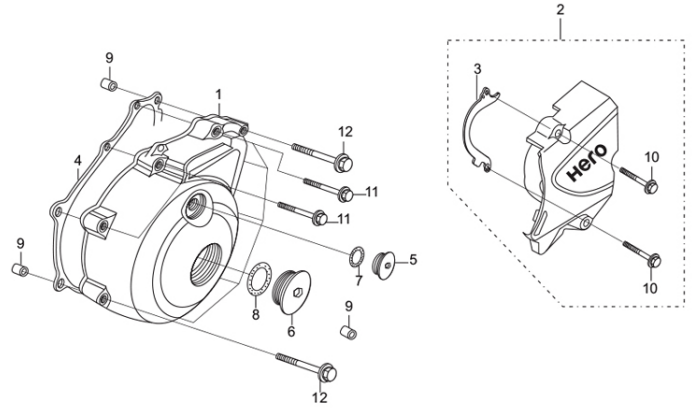
E-7B
STARTER MOTOR



Service Item	F.R.T.	Group Number: E-7B Model :: Hunk (Feb, 2017)			
* MOTOR ASSY., STARTER	0.7	Ref No.	Part Number	Description	Req.
* BRUSH, TERMINAL SET	0.9	1	31200-KSP-901	MOTOR ASSY., STARTER	1
		2	31201-KPT-A01	BRUSH, TERMINAL SET	2
		3	31204-KG8-004	BRUSH, SPRING	2
		4	31205-KTC-921	BOLT, SET	2
		5	31206-KPH-881	BRUSH, HOLDER SET	1
		6	31207-MBE-008	RING	2
		7	90071-MB0-000	NUT, WASHER, 6 MM	2
		8	91309-425-003	O RING 24.4X3.1	1
		9	91320-MB0-000	O RING	3
		10	95701-06022-00	BOLT, FLANGE, SH. 6 X 22	2

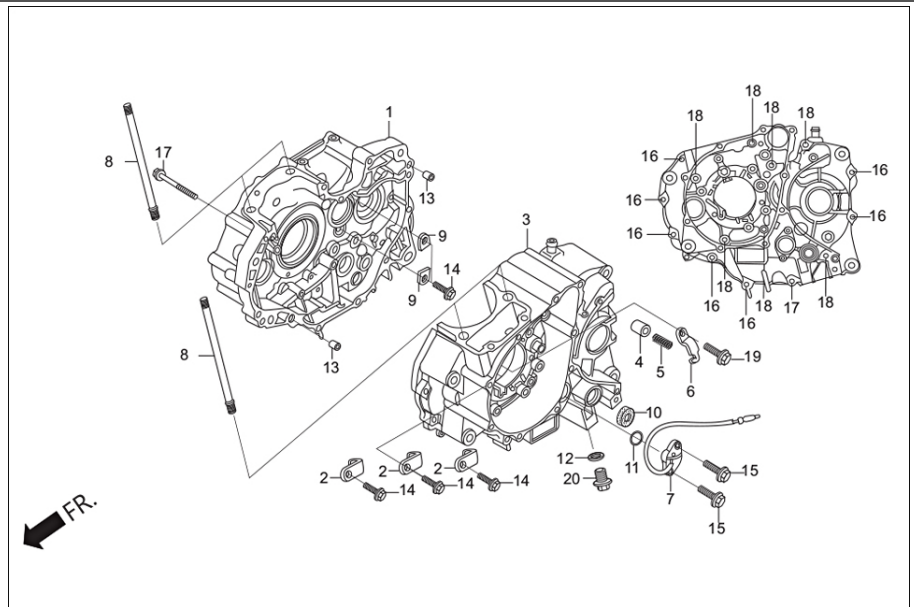
E-7C
LEFT CRANK CASE COVER

FR. ←



Service Item	F.R.T.	Group Number: E-7C Model :: Hunk (Feb, 2017)			
		Ref No.	Part Number	Description	Req.
COVER COMP., L RR.	0.1	1	11341-KVN-900	COVER L CRANK CASE(MGM)	1
GASKET, L COVER	0.2	2	11360-AAK-100	COVER COMP., LREAR	1
COVER LEFT CRANKCASE	0.3	3	11365-KSP-910	GUIDE DRIVE CHAIN	1
		4	11395-KWK-900	GASKET, L COVER	1
		5	90084-KVE-930	CAP 14 MM	1
		6	90087-KVE-900	CAP, 32 MM	1
		7	91303-KRM-840	O-RING 13.8 X 2.5	1
		8	91305-KRM-840	O-RING 31.7 X 2.4	1
		9	94301-08140	DOWEL PIN, 8X14	2
		10	96001-06030-00	BOLT, FLANGE, SH., 6 X 30	2
		11	96001-06035-00	BOLT, FLANGE, SH. 6 X 35	7
		12	96001-06045-00	BOLT, FLANGE, SH. 6 X 45	2

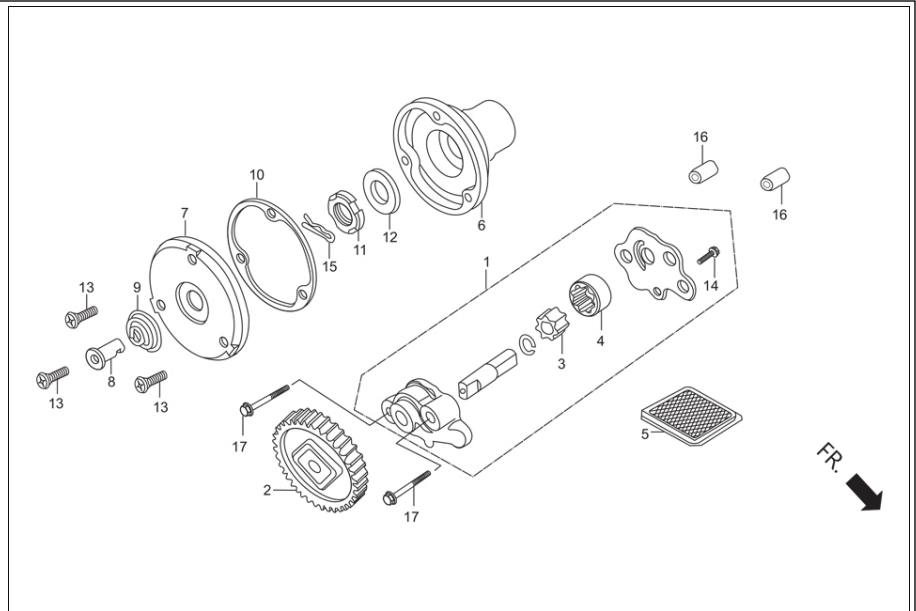
E-8
CRANK CASE



Service Item	F.R.T.
* CONTACT ASSY., NEUTRAL SW	0.3
* BOLT, STUD, CYLINDER, 8 X 140 (ADD 0.1 FOR EACH)	1.6 --
* CRANKCASE COMP., L	*4.2
*CRANK CASE COMP., R	*4.5

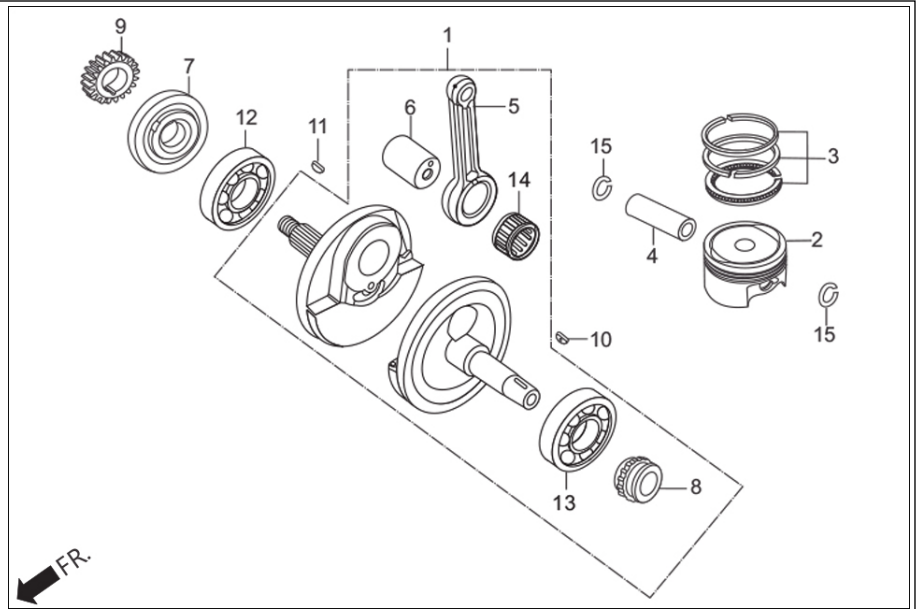
Group Number: E-8 Model :: Hunk (Feb, 2017)				
Ref No.	Part Number	Description	Req.	
1	11100-KVE-900	CRANK CASE COMP., RIGHT	1	
2	11108-KTN-900	PLATE L BRG SET	3	
3	11200-KVE-900	CRANK CASE COMP., LEFT	1	
4	11215-KSP-910	PLUG BRG PUSH	1	
5	11216-KRM-840	SPRING BRG PUSH	1	
6	11217-KRM-840	PLATE BRG PUSH	1	
7	35759-KVN-900	CONTACT ASSY. NEUTRAL SWITCH	1	
8	90031-KSP-910	BOLT STUD CYLN 8 X 140	4	
9	90441-KRM-840	PLATE, BRG. HOLD	2	
10	91203-KSP-910	OIL SEAL, 14 X 22 X 5	1	
11	91305-KPH-900	O-RING,19.4 X 2.3	1	
12	94109-12000	WASHER, PLUG, DRAIN	1	
13	94301-08140	DOWEL PIN, 8X14	2	
14	95701-06016-00	BOLT, FLANGE, 6X16	5	
15	95701-06020-00	BOLT, FLANGE, 6X20	2	
16	95701-06040-00	BOLT FLANGE 6X40	7	
17	95701-06045-00	BOLT, FLANGE, SH. 6 X45	1	
18	95701-06070-00	BOLT, FLANGE, SH. 6 X70	7	
19	96001-06018-00	BOLT, FLANGE, 6 X 18	1	
20	90131-KRM-840	BOLT, PLUG, DRAIN, 12 MM	1	

E-8A OIL PUMP



Service Item	F.R.T.	Group Number: E-8A Model :: Hunk (Feb, 2017)			
		Ref No.	Part Number	Description	Req.
CAP, OIL FILTER ROTOR	0.6	1	15100-KRM-840	OIL PUMP ASSY	1
GEAR COMP., OIL PUMP DRIVE	--	2	15130-KRM-840	GEAR COMP., OIL PUMP	1
SCREEN, OIL FILTER	--	3	15331-KRM-840	ROTOR, INNER OIL PUMP	1
PUMP ASSY., OIL	0.7	4	15332-KRM-840	ROTOR, OUTER OIL PUMP	1
ROTOR, OIL PUMP INNER	--	5	15421-KTN-900	SCREEN, OIL FILTER	1
(SAME TIME FOR TWO UNITS)	--	6	15430-KSP-910	ROTOR, OIL FILTER	1
		7	15436-KRM-840	CAP, OIL FILTER ROTOR	1
		8	15441-KCS-650	OIL, THROUGH	1
		9	15446-107-000	SPRING, OIL THROUGH	1
		10	15459-KWK-900	GASKET ,OIL FILTER CAP	1
		11	90231-KM7-700	NUT, LOCK, 14 MM	1
		12	90432-KPT-A00	WASHER, 14.2 X 26 X 3	1
		13	93700-05012-0A	SCREW, OVAL, 5X12	3
		14	93901-34120	SCREW, TAPPING, 4X8	1
		15	94251-08000	PIN LOCK, 8 MM	1
		16	94301-08140	DOWEL PIN, 8X14	2
		17	95701-06035-00	BOLT, FLANGE, 6X35	2

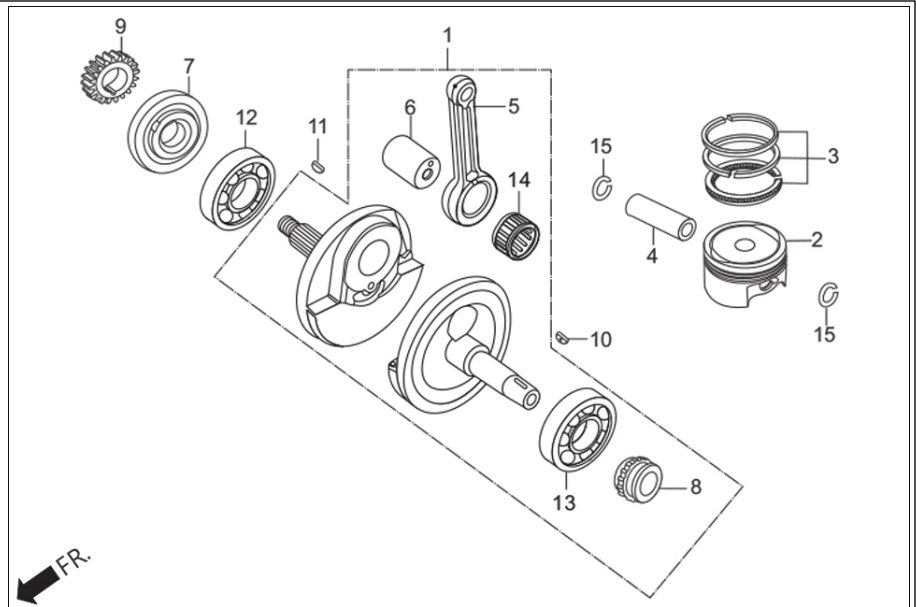
E-9
CRANK SHAFT / PISTON



Service Item	F.R.T.
* PIN, PISTON	1.7
* RING SET, PISTON	1.8
* RING SET, PISTON	--
* BEARING, ROLLER 30 X 58 X 17	*3.7
*CRANKSHAFT COMP.	--

Group Number: E-9 Model :: Hunk (Feb, 2017)				
Ref No.	Part Number	Description	Req.	
1	13000-AAB-100	CRANK SHAFT COMP.	1	
2	13101-AAB-100	PISTON	1	
	13102-AAB-305	PISTON(O/S 0.25)	1	
	13103-AAB-305	PISTON(O/S 0.50)	1	
	13104-AAB-305	PISTON(O/S 0.75)	1	
	13105-AAB-305	PISTON(O/S 1.00)	1	
3	13011-KRM-305	RING SET, PISTON (STD)	1	
	13021-KRM-305	RING SET, PISTON O/S 0.25	1	
	13031-KRM-305	RING SET, PISTON O/S 0.50	1	
	13041-KRM-305	RING SET, PISTON O/S 0.75	1	
	13051-KRM-305	RING SET, PISTON O/S 1.00	1	
4	13111-KSP-910	PIN, PISTON	1	
5	13201-KRM-840	ROD, CONNECTING	1	
6	13380-KRM-840	PIN, COMP., CRANK	1	
7	13412-KSP-910	COLLAR, R CRANK SHAFT	1	
8	14311-KRM-840	SPROCKET, TIMING, (17T)	1	
9	23121-KVE-860	GEAR PRIMARY DRIVE	1	
10	90741-KFB-000	KEY,WOODRUFF,4 MM	1	
11	90741-KGH-900	KEY, WOODRUFF, 4 MM	1	
12	91001-KTN-900	BRG. ROLLER, 30 X 58 X 17	1	
13	91002-KSP-911	BRG. BALL, RADIAL, 6207 SPL. L	1	
14	91101-KTN-901	BRG., NEEDLE, 28 X 36 X 15.8 (RED)	1	
	91102-KTN-901	BRG., NEEDLE, 28 X 36 X 15.8 (BLUE)	1	
	91103-KTN-901	BRG., NEEDLE, 28 X 36 X 15.8 (WHITE)	1	
15	94601-14000	CLIP, PISTON PIN	2	

E-9
CRANK SHAFT / PISTON



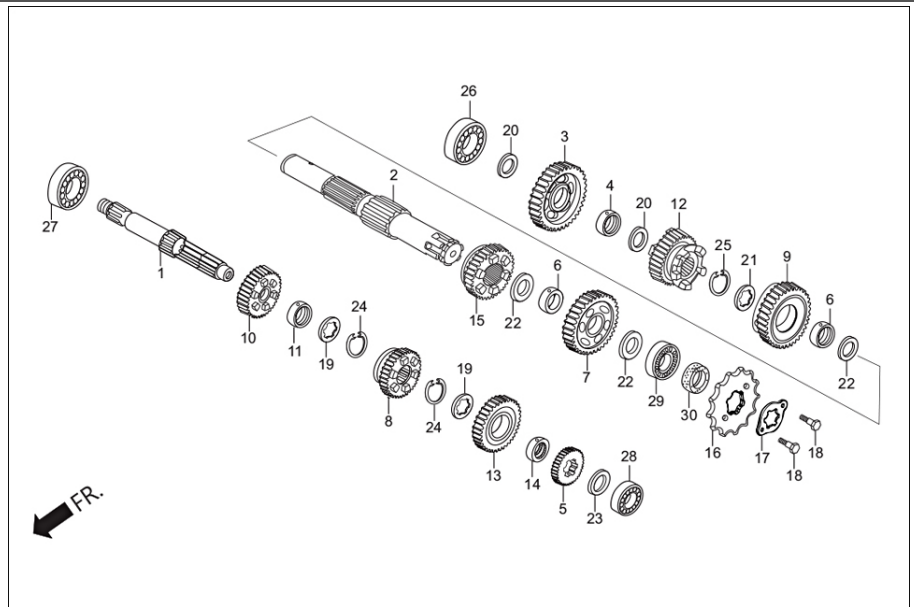
Service Item	F.R.T.
* PIN, PISTON	1.7
* RING SET, PISTON	1.8
* RING SET, PISTON	--
* BEARING, ROLLER 30 X 58 X 17	*3.7
*CRANKSHAFT COMP.	--

Group Number: E-9 Model :: Hunk (Feb, 2017)

SELECTION TABLE OF CONNECTING ROD BIG END BEARING						
Crank Pin CODE (Colour)	Connecting rod code	1	2	3	4	5
		-0,001 +0,001 (Green)	+0,001 +0,003 (Yellow)	+0,003 +0,005 (White)	+0,005 +0,007 (Blue)	+0,007 +0,009 (Brown)
B	0,000 -0,002	91101- KTN-9000 (Red)				
a	-0,002 -0,004	91102- KTN-9000 (Blue)				
C	0,000 -0,002		91101- KTN-9000 (Red)			
A	-0,002 -0,004		91102- KTN-9000 (Blue)			
D	0,000 -0,002			91101- KTN-9000 (Red)		
B	-0,002 -0,004			91102- KTN-9000 (Blue)		
a	-0,004 -0,006			91103- KTN-9000 (White)		

SELECTION TABLE OF CONNECTING ROD BIG END BEARING						
Crank Pin CODE (Colour)	Connecting rod code	1	2	3	4	5
		-0,001 +0,001 (Green)	+0,001 +0,003 (Yellow)	+0,003 +0,005 (White)	+0,005 +0,007 (Blue)	+0,007 +0,009 (Brown)
E	0,000 -0,002				91101- KTN-9000 (Red)	
C	-0,002 -0,004				91102- KTN-9000 (Blue)	
a	-0,004 -0,006				91103- KTN-9000 (White)	
F	0,000 -0,002					91101- KTN-9000 (Red)
D	-0,002 -0,004					91102- KTN-9000 (Blue)
B	-0,004 -0,006					91103- KTN-9000 (White)

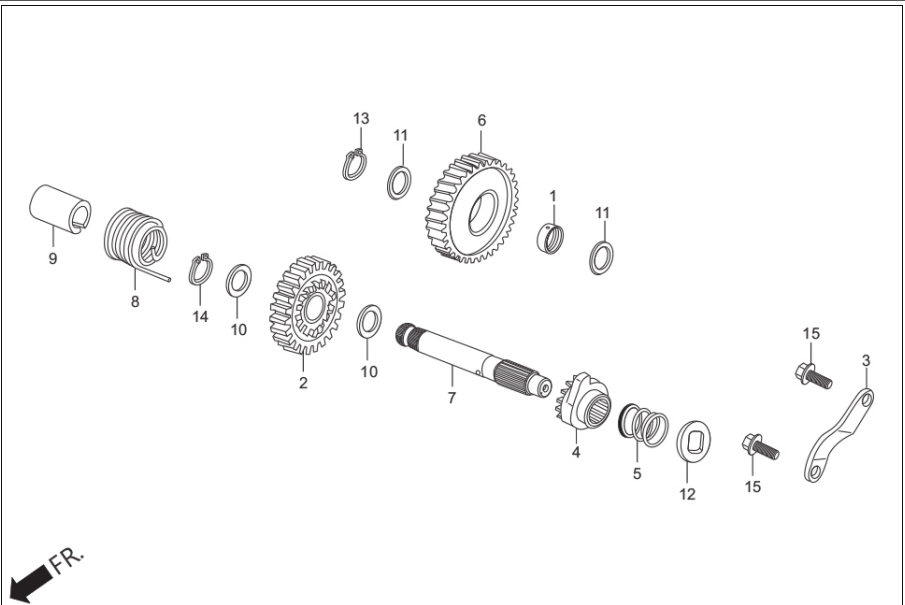
E-10 TRANSMISSION



Service Item	F.R.T.	Group Number: E-10 Model :: Hunk (Feb, 2017)			
		Ref No.	Part Number	Description	Req.
		1	23210-KVN-900	SHAFT COMP., MAIN TRANS	1
		2	23220-KTN-900	SHAFT COMP., COUNTER	1
		3	23421-KVN-900	GEAR, C-1, (40 T)	1
		4	23427-KRM-840	BUSH, 17 X 20.5 X 8	1
		5	23431-KVN-900	GEAR, M-2, (19 T)	1
		6	23432-KRM-840	BUSH, 20 MM	2
		7	23441-KVN-900	GEAR, C2, (34 T)	1
		8	23451-KVN-900	GEAR, M3, (23 T)	1
		9	23461-KVN-900	GEAR, C3, (30 T)	1
		10	23471-KVN-900	GEAR, M4, (22 T)	1
		11	23472-KSP-910	BUSH 17 MM	1
		12	23481-KVN-900	GEAR, C-4, (24 T)	1
		13	23491-KVN-900	GEAR, M-5, (32 T)	1
		14	23492-KSP-910	COLLAR SPLINE 17X20X11	1
		15	23501-KVN-900	GEAR, C-5 (30 T)	1
		16	23801-KCT-690	SPROCKET, DRIVE (14T)	1
		17	23811-KR3-600	PLATE, A2 FIXING	1
		18	90084-041-000	BOLT, DRIVE SPRKT, FIXING	2
		19	90452-KRM-840	WASHER ,17 X 23 X1.6	2
		20	90452-GB4-770	WASHER, THRUST, 17MM	2
		21	90453-KRM-840	WASHER SPLINE 20 MM	1
		22	90454-107-000	WASHER ,THRUST, 20MM	3
		23	90456-KRM-840	WASHER, THURST, 12MM	1
		24	90601-AAB-A00	CIRCLIP 17 MM	2
		25	90605-200-000	SET RING, 20MM	1
		26	91003-KSP-910	BRG. BALL RADIAL, 17 X 42 X 12	1
		27	91004-KTN-900	BRG. BALL RADIAL, 17 X 40 X 12	1
		28	91005-KTN-900	BRG. BALL RADIAL, 12 X 32 X 10	1

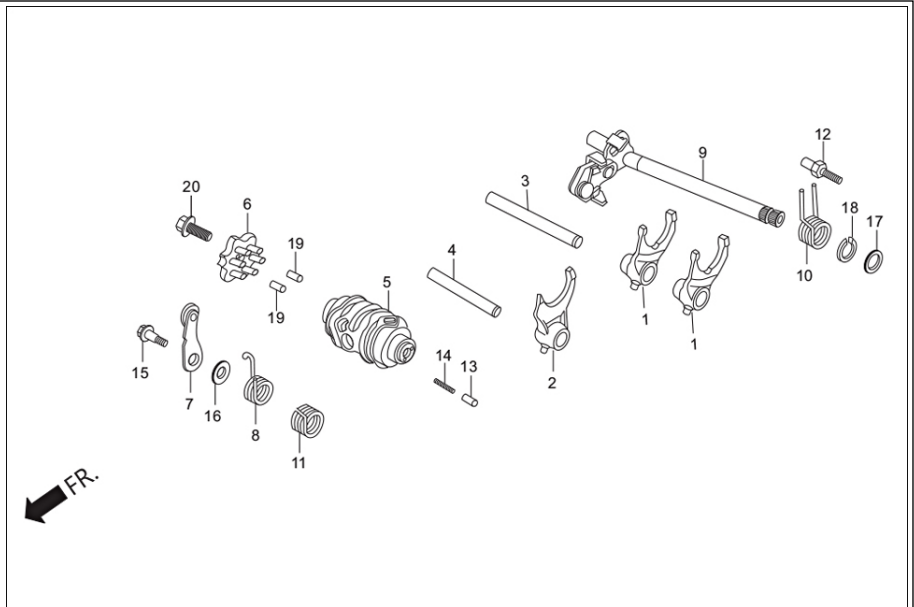
29	91006-KTN-900	BRG., BALL RADIAL,20 X 47X 14	1
30	91216-KSP-910	OIL SEAL	1

E-11
SPINDLE KICK STARTER



Service Item	F.R.T.	Group Number: E-11 Model :: Hunk (Feb, 2017)			
		Ref No.	Part Number	Description	Req.
SPINDLE, KICK STARTER (INC. RELATIVE PART)	0.7	1	23427-KRM-840	BUSH, 17 X 20.5 X 8	1
SPRING, KICK RETURN		2	28211-KRM-840	PINION, KICK STARTER	1
GEAR, KICK STARTER IDLE	0.8	3	28215-KRM-840	PLATE, KICK STOPPER	1
		4	28221-KTN-900	RATCHET, STARTER	1
		5	28223-KRM-840	SPRING, RATCHET	1
		6	28231-KRM-840	GEAR, KICK IDLE STARTER	1
		7	28251-KTN-900	SPINDLE, KICK STARTER	1
		8	28261-KRM-840	SPG., KICK RETURN	1
		9	28282-KRM-840	COLLAR, KICK SPG.	1
		10	90451-KRM-840	WASHER, THRUST, 16 MM	2
		11	90452-GB4-770	WASHER, THRUST, 17MM	2
		12	90455-KSP-910	WASHER, SPL., 14 MM	1
		13	90602-KRM-840	CIRCLIP, EXTERNAL, 17 MM	1
		14	94510-16000	CIRCLIP, EXTERNAL, 16 MM	1
		15	95701-06016-00	BOLT, FLANGE, 6X16	2

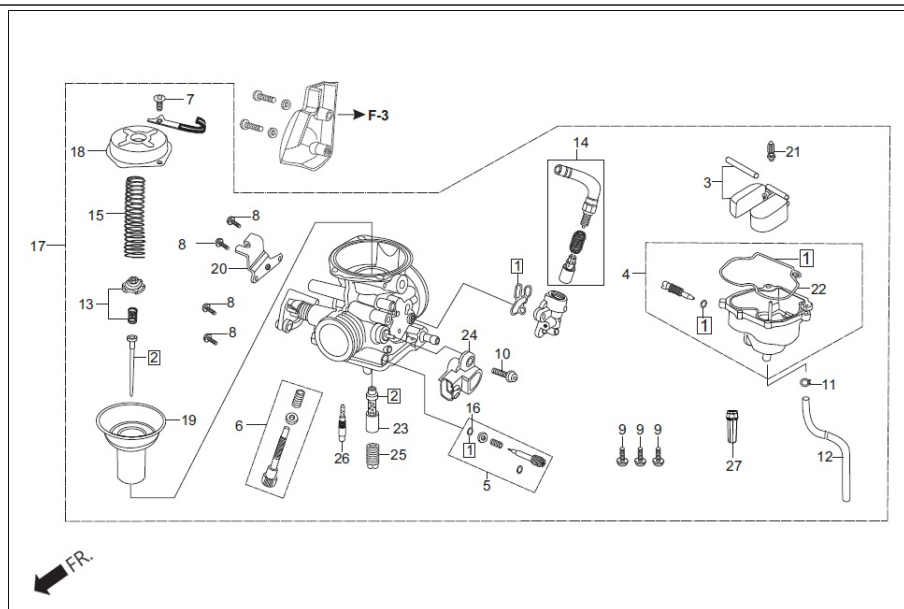
E-12
DRUM GEAR SHIFT



Service Item	F.R.T.	Group Number: E-12 Model :: Hunk (Feb, 2017)			
		Ref No.	Part Number	Description	Req.
* SPINDLE COMP., GEARSHIFT	0.8	1	24211-KRM-840	FORK, R/L, GEAR SHIFT	2
* PLATE COMP., SHIFT DRUM STOPPER	-- 0.9	2	24212-KRM-840	FORK, CENTER, GEAR SHIFT	1
* STOPPER COMP., GEARSHIFT DRUM	--	3	24241-KRM-840	SHAFT, A GEAR SHIFT FORK	1
* DRUM, GEARSHIFT	*3.6	4	24242-KRM-840	SHAFT, B GEAR SHIFT FORK	1
* FORK, GEAR SHIFT	--	5	24301-KSP-910	DRUM GEAR SHIFT	1
(SAME FOR TWO UNITS OR MORE)	--	6	24410-KSP-860	PLATE, COMP., SHIFT DRUM STOPPER	1
		7	24430-KTN-900	STOPR COMP., GEAR SHIFT DRUM	1
		8	24436-KSP-910	SPRING, DRUM STOPPER	1
		9	24610-KSP-910	SPINDLE, COMP., GEAR SHIFT	1
		10	24651-KSP-910	SPRING, SHIFT RETURN	1
		11	24627-KRM-840	SPRING GEAR SHIFTER RESET	1
		12	24652-KSP-910	PIN, SHIFT, RETURN SPRING	1
		13	35751-KPH-900	CAP, CONTACT CHANGE SW.	1
		14	35752-KRM-840	SPRING, CONN. CHANGE SW.	1
		15	90022-MG8-000	PIVOT, SHIFT DRUM STOPR. ARM	1
		16	90417-KRM-840	WASHER DRUM STOPPER	1
		17	90457-KRM-840	WASHER, 14 MM	1
		18	94510-14000	CIRCLIP, EXTERNAL, 14 MM	1
		19	96220-30085	ROLLER, 3 X 8.5	2
		20	90003-KVS-900	BOLT HEX.6X20	1

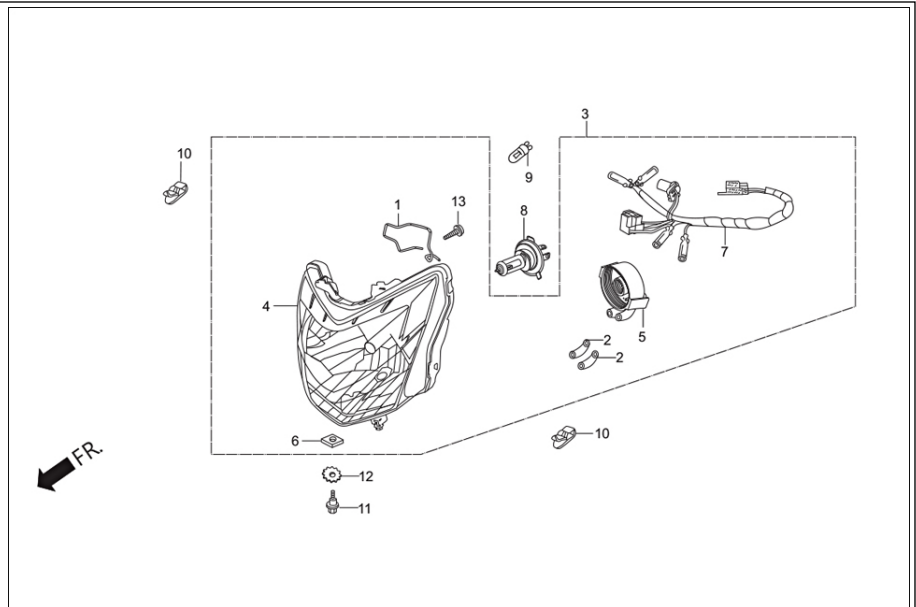
E-13

CARBURETTOR



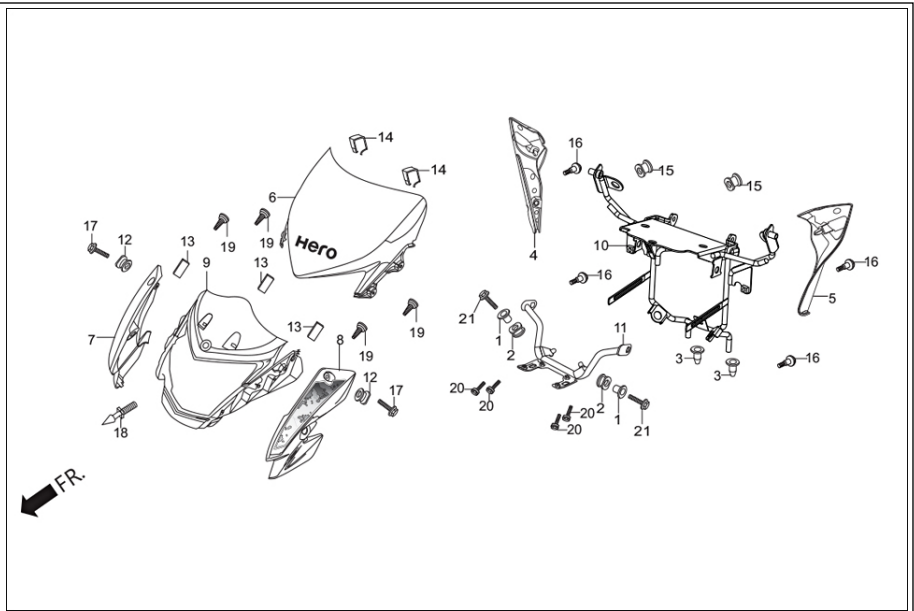
Service Item	F.R.T.	Group Number: E-13 Model :: Hunk (Feb, 2017)			
		Ref No.	Part Number	Description	Req.
* SENSOR ASSY., THROTTLE	0.2	1	16010-AAB-102	GASKET SET	1
* CHAMBER SET, FLOAT	0.4	2	16012-AAB-801	NEEDLE, SET, JET	1
* PISTON COMP., VACUUM	--	3	16013-AAB-102	FLOAT SET	1
* VALVE SET, STARTER	--	4	16015-AAB-102	CHAMBER SET FLOAT	1
* CARBURETTOR ASSY.	0.5	5	16016-AAB-102	SCREW SET A	1
* FLOAT SET	--	6	16028-AAB-102	SCREW SET B	1
* JET, MAIN,	--	7	16031-AAB-102	SCREW PAN 4X8	1
* VALVE COMP., FLOAT	--	8	16032-AAB-102	SCREW PAN 5X10	4
* NEEDLE SET, JET	0.6	9	16033-AAB-102	SCREW PAN 4X16	3
		10	16034-AAB-102	SCREW-WASH TORX 5X16	1
		11	16035-AAB-102	CLIP TUBE	1
		12	16036-AAB-102	TUBE 4.5X500	1
		13	16037-AAB-102	PLATE SET VALVE	1
		14	16046-AAB-102	VALVE SET STARTER	1
		15	16050-AAB-102	SPG COMPRESSION COIL	1
		16	16075-AAB-102	O-RING	2
		17	16100-AAB-801	CARBURETTOR, ASSY.	1
		18	16107-AAB-102	TOP	1
		19	16111-AAB-102	PISTON COMP VACUUM	1
		20	16119-AAB-102	STAY WIRE	1
		21	16155-AAB-102	VALVE COMP FLOAT	1
		22	16163-AAB-102	GASKET FLOAT CHAMBER	1
		23	16165-AAB-102	HOLDER NEEDLE JET	1
		24	37890-AAB-102	SENSOR ASSY THROTTLE	1
		25	99101-AAB-1275	JET # 127.5	1
		26	99103-AAB-0125	JET SLOW #12.5	1
		27	16027-AAB-102	FILTER FUEL INLET NIPPLE	1

F-1
HEAD LIGHT



Service Item	F.R.T.	Group Number: F-1 Model :: Hunk (Feb, 2017)			
		Ref No.	Part Number	Description	Req.
* BULB, HEADLIGHT	0.2	1	33108-KRY-900	SPRING, SPC(BULB HOLDER)	1
* SOCKET ASSY., HEADLIGHT	0.2	2	33101-KVN-901	TUBE	2
* UNIT, HEADLIGHT	0.3	3	3310B-AAK-201	LIGHT ASSY., HEAD (W/O BULB)	1
		4	33110-AAK-201	UNIT, HEAD LIGHT	1
		5	33112-KTN-921	SOCKET COVER	1
		6	33128-GBL-000	NUT, SPECIAL	1
		7	33150-KVN-901	SOCKET ASSY., HEAD LIGHT	1
		8	34901-KSP-910	BULB, HEAD LIGHT	1
			34901-KSP-910	BULB, HEAD LIGHT	1
		9	34920-AAK-201	BULB, WEDGE BASE (W3W) E MARK	1
		10	53209-GAH-000	CLIP, HEADLIGHT	2
		11	90101-GJ6-000	BOLT, ADJUST	1
		12	90307-GJ6-000	WASHER, LOCK, 6 MM	1
		13	93901-04012-00	SCREW, TAPPING SPL., 4 X 12	1

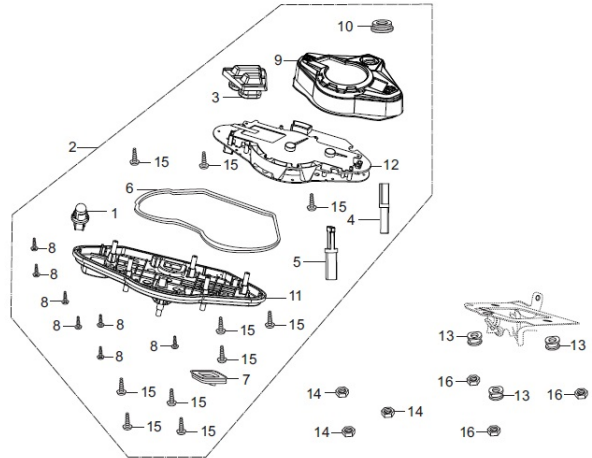
F-1A
FRONT COWL /STAY



Service Item	F.R.T.	Group Number: F-1A Model :: Hunk (Feb, 2017)			
		Ref No.	Part Number	Description	Req.
*SET WIND SCREEN	0.2	1	19052-KV0-000	COLLAR, RADIATOR MTG	2
* COWL, FR	0.4	2	50451-GB6-920	RUBBER, TAIL LIGHT SET	2
* STAY COMP., FR. COWL	0.5	3	61312-KCT-690	BOOT, HEAD LIGHT STAY	2
* COWL R FR. SIDE	--	4	61330-KVN-900	PANEL, R SIDE	1
* COWL L FR. SIDE	--	5	61340-KVN-900	PANEL, L SIDE	1
* COWL, FR CENTER	--	6	64100-AAK-100	SET, WIND SCREEN	1
		7	64204-KVN-900ZEH	COWL R FR. SIDE(PNB)	1
			64204-AAK-100U	COWL R, FR. SIDE(MBLK,NH-105)	1
			64204-KVN-900ZFH	COWL, R. FR.SIDE (CBR	1
			64204-KVN-970ZD	COWL R FR SIDE(PEARL HARVEST GREEN, GY-136P)	1
			64204-KVN-900ZDH	COWL R FR. SIDE(SRD)	1
			64204-AAK-H70Y	COWL R FR SIDE(PFW,NH341P)	1
		8	64205-KVN-900ZEH	COWL L FR. SIDE(PNB)	1
			64205-AAK-100U	COWL L, FR. SIDE(MBLK,NH-105)	1
			64205-KVN-900ZFH	COWL, L. FR.SIDE (CBR	1
			64205-KVN-970ZD	COWL L FR SIDE(PEARL HARVEST GREEN, GY-136P)	1
			64205-KVN-900ZDH	COWL L FR. SIDE(SRD)	1
			64205-AAK-H70Y	COWL L FR SIDE(PFW,NH341P)	1
		9	64206-KVN-970	COWL,FR CENTER	1
		10	64312-KVN-970	STAY COMP , FR. COWL	1
		11	64313-KVN-900	STAY COMP., FR. WINKER	1
		12	64316-KVN-900	RUBBER, FR., COWL MT	2
		13	77246-KVN-900	RUBBER FR	3
		14	77247-KVN-900	RUBBER, STOPPER	2
		15	83551-376-000	GROMMET, SIDE COVER	2
		16	90101-GE0-000	SCREW, HINGE PATCH	4
		17	90105-KVN-900	BOLT, SPECIAL 6 X 22	2
		18	90899-KVN-900	PLUG, CORN	1

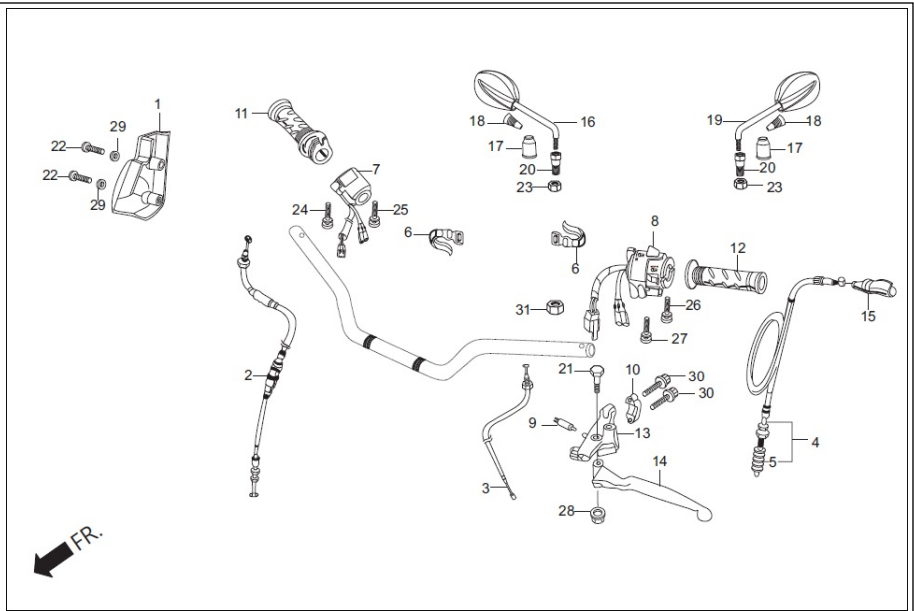
19	93903-34380	SCREW, TAPPING, 4X12	4
20	95701-06012-00	BOLT, FLANGE, 6X12	4
21	95701-06020-00	BOLT, FLANGE, 6X20	2

F-2
SPEEDOMETER / CABLE



Service Item	F.R.T.	Group Number: F-2 Model :: Hunk (Feb, 2017)			
* METER ASSY., COMB	0.3	Ref No.	Part Number	Description	Req.
* SPEEDOMETER COMP	0.5	1	35505-KVN-971	BULB SOCKET ASSY.	1
* TACHO METER COMP	0.5	2	37100-AAK-601	METER ASSY., COMB	1
* CASE, COMP. UPPER	--	3	37101-KVN-971	SELECT & RESET GROMMET	1
* CASE, COMP. LOWER	0.4	4	37213-KVN-971	SELECT KNOB	1
* SOCKET COMP	--	5	37214-KVN-971	RESET KNOB	1
* CABLE ASSY., SPEEDOMETER	0.2	6	37215-KVN-971	SEALING GASKET	1
		7	37216-KVN-971	BULB GROMMET	1
		8	37217-KVN-971	SCREW TAPPING 3X11	7
		9	37300-AAK-601	CASE UPPER ASSY.,	1
		10	37312-KVN-971	GROMMET IGNITION	1
		11	37400-AAK-100	CASE LOWER ASSY	1
		12	37500-AAK-601	METER COMP.,	1
		13	80101-443-000	RUBBER, RR. FENDER CUSHION	3
		14	94001-06070-0S	NUT, HEX., 6 MM	3
		15	93901-42480	SCREW TAPPING 3X16	10
		16	94001-06090-0S	NUT, HEX, 6 MM	3

F-3
HANDLE LEVER / SWITCH/CABLES

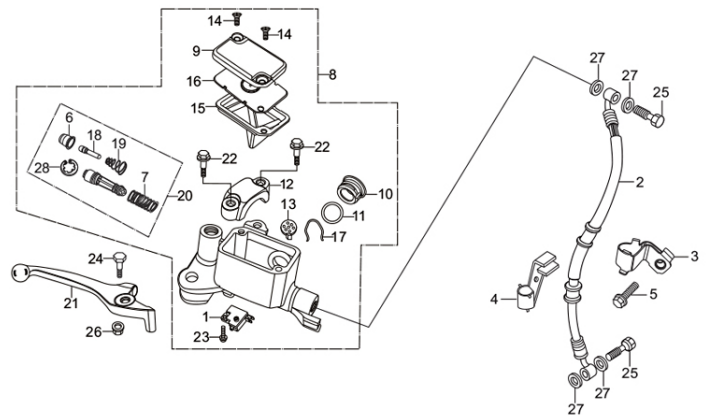


Service Item	F.R.T.	Group Number: F-3 Model :: Hunk (Feb, 2017)			
		Ref No.	Part Number	Description	Req.
* CABLE COMP., THROTTLE	0.3	1	16150-KTN-700H	COVER THROTTLE CABLE	1
* CABLE COMP., CLUTCH	0.2	2	17910-KVN-900	CABLE COMP., THROT	1
* SWITCH ASSY., LIGHTING	0.4	3	17950-AAK-100	CABLE COMP., CHOKE	1
* SWITCH ASSY., WINKER	0.5	4	22870-KVN-900	CABLE COMP., CLUTCH	1
* SWITCH ASSY., FR. STOP	0.1	5	22871-KTN-700	BOOT, CLUTCH CABLE	1
* GRIP COMP., THROTTLE	0.1	6	32161-404-000	BAND B-1,WIRE	2
* GRIP L. HANDLE	--	7	35150-AAM-011	SW ASSY ST I3S	1
* BRACKET, L HANDLE LEVER	0.2	8	35200-AAK-201	SWITCH ASSY., WINKER	1
* CABLE COMP., CHOKE	0.6	9	35330-413-003	SW. COMP., FR. LEVER	1
		10	45517-166-000	HOLDER, MASTER CYLINDER	1
		11	53140-KFN-850	GRIP COMP., THROTTLE	1
		12	53166-KFN-850	GRIP, L HANDLE	1
		13	53172-KRC-900	BRACKET, HANDLE LEVER	1
		14	53178-KFN-850	LEVER COMP., L HANDLE	1
		15	53182-KFN-850	BOOT, L HANDLE LEVER	1
		16	88110-AAK-H01ZA	MIRROR ASSY R BACK (PBME,NH-B08M)	1
			88110-AAK-100U	MIRROR ASSY R BACK(MBK NH-105)	1
			88110-AAK-H01ZE	MIRROR ASSY R BACK(CBR,R-195C)	1
			88110-AAK-H01ZD	MIRROR ASSY R BACK(PHG,GY-136P)	1
			88110-AAK-H01ZG	MIRROR ASSY R BACK(SRD, R-321)	1
			88110-AAK-H70Y	MIRROR ASSY R BACK(PFW,NH341P)	1
		17	88114-198-D10	CAP, LOCK NUT	2
		18	88115-KTR-900	BOOT, MIRROR UPPER	2
		19	88120-AAK-H01ZA	MIRROR ASSY L BACK (PBME,NH-B08M)	1
			88120-AAK-100U	MIRROR ASSY L BACK(MBK NH-105)	1
			88120-AAK-H01ZE	MIRROR ASSY L BACK(CBR,R-195C)	1
			88120-AAK-H01ZD	MIRROR ASSY L BACK(PHG,GY-136P)	1
			88120-AAK-H01ZG	MIRROR ASSY L BACK(SRD, R-321)	1

	88120-AAK-H70Y	MIRROR ASSY L BACK(PFW,NH341P)	1
20	90003-KCC-840	BOLT, ADPT.10MM	2
21	90113-438-000	BOLT, HANDLE LEVER PIVOT	1
22	90140-KAE-000	SCREW, PAN, 4 X 28	2
23	90201-MW3-620	NUT, HEX., 10MM	2
24	93892-05020-07	SCREW, WASHER, 5X20	1
25	93892-05025-07	SCREW, WASHER, 5X25	1
26	93892-05035-07	SCREW, WASHER, 5X35	1
27	93892-05045-07	SCREW, WASHER, 5X45	1
28	94050-06000	NUT, FLANGE, 6 MM	1
29	94101-04700	WASHER, PLAIN, 4 MM	2
30	96001-06022-07	BOLT, FLANGE, SH.6X22	2
31	94002-10070-0S	NUT, HEX., 10MM	1

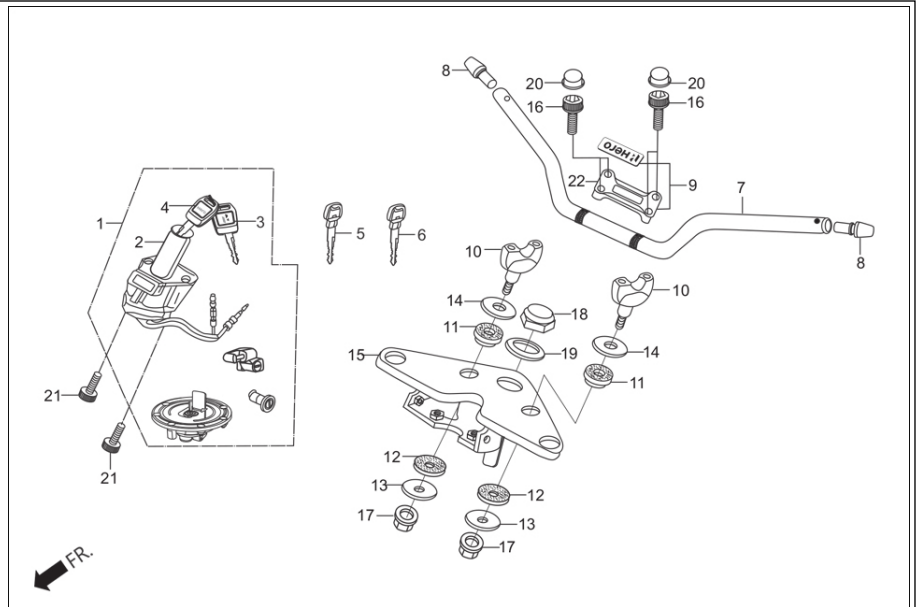
F-3A
FRONT BRAK MASTER CYL.

FR.



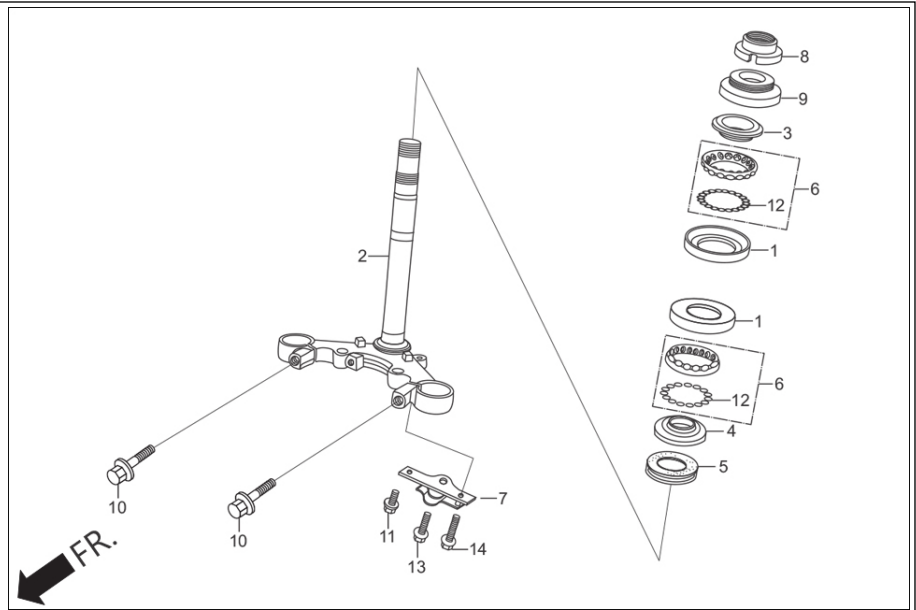
Service Item	F.R.T.	Group Number: F-3A Model :: Hunk (Feb, 2017)			
		Ref No.	Part Number	Description	Req.
DIAPHRAGM	0.1	1	35340-KCC-841	SW. ASSY. FR. STOP.	1
LEVER, R. STEERING HANDLE	--	2	45126-KVE-900	HOSE ASSY., FR. BRK	1
SWITCH ASSY., FR. STOP	0.1	3	45155-KTN-710	CLAMPER, A FR. BRK. HOSE	1
M/C, SUB ASSY., FR. BRK.	0.4	4	45156-KVE-900	CLAMPER,B FR. BRK. HOSE	1
HOSE COMP., FR. BRK	--	5	96001-06012-07	BOLT, FLANGE, SH., 6 X 12	1
		6	45504-KCC-841	BOOT COMP.	1
		7	45506-KCC-841	SPRING	1
		8	45510-KVN-901	M/C SUB ASSY, FR. BRK	1
		9	45513-KCC-841	CAP, MASTER CYLINDER	1
		10	45515-KVN-901	GAUGE COMP., LEVEL	1
		11	45516-KCC-841	O RING	1
		12	45517-KCC-841	HOLDER MASTER CYLINDER	1
		13	45518-KCC-841	SEPARATOR COMP.	1
		14	45519-KCC-841	SCREW FLAT	2
		15	45520-KCC-841	DIAPHRAGM	1
		16	45521-KCC-841	PLATE, DIAPHRAGM	1
		17	45522-KCC-841	CLIP, GAUGE	1
		18	45525-KCC-841	PUSH ROD	1
		19	45526-KCC-841	SPRING , PUSH ROD	1
		20	45530-KCC-841	CYLINDER SET MASTER	1
		21	53175-KSP-900	LEVER, R STRG. HANDLE	1
		22	90111-KCC-841	BOLT,FLANGE 6 X 25	2
		23	90112-KCC-841	SCREW,PAN,4X8	1
		24	90114-KCC-841	BOLT, HANDLE LEVER	1
		25	90145-MS9-610	OIL BOLT, 10 X 22	2
		26	90303-KCC-841	NUT	1
		27	90545-300-000	WASHER ,OIL BOLT	4
		28	90651-KCC-841	CIRCLIP	1

F-4
HANDLE PIPE / TOP BRIDGE



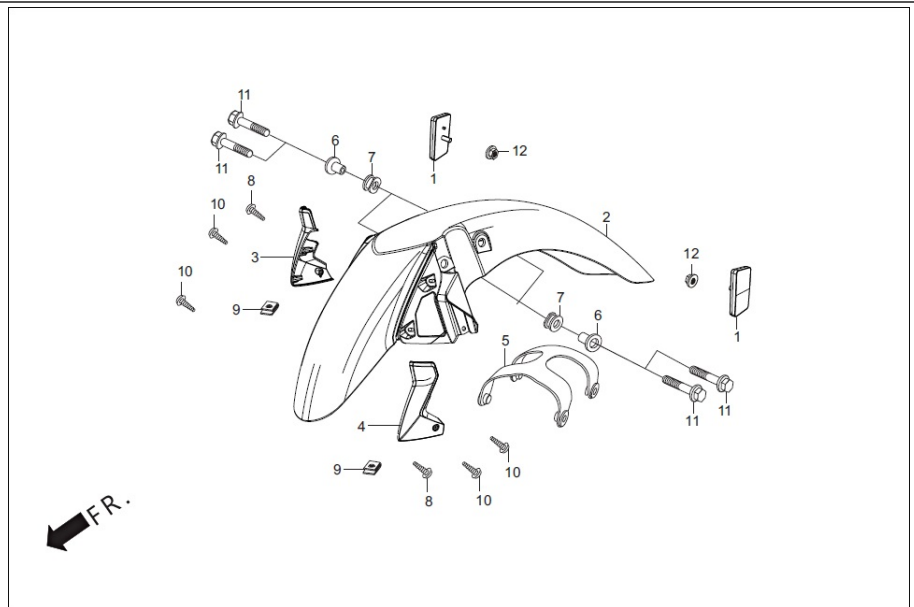
Service Item	F.R.T.	Group Number: F-4 Model :: Hunk (Feb, 2017)		
Ref No.	Part Number	Description	Req.	
1	35010-AAK-201	KEY, SET	1	
2	35100-AAK-201	SWITCH ASSY., COMB & LOCK	1	
3	35113-KZJ-H00	EMBLEM ICON	1	
4	35114-KZJ-H00	EMBLEM,WORD MARK	1	
5	35121-KZJ-H00	BLANK KEY NO.1	1	
6	35122-KZJ-H00	BLANK KEY NO.2	1	
7	53100-KVE-930Z	PIPE STRG HANDLE	1	
8	53105-KRC-900	END STRG. HANDLE	2	
9	5313A-AAK-H70	HOLDER HANDLE UP.SUB ASSY.	1	
10	53132-124-000	HOLDER, HANDLE PIPE UNDER	2	
11	53133-198-900	RUBBER, HANDLE CUSHION UPPER	2	
12	53134-028-000	RUBBER, HANDLE CUSHION UNDER	2	
13	53135-198-900	WASHER, HANDLE CUSHION	2	
14	53136-198-900	PLATE, HANDLE CUSHION	2	
15	53230-KTN-700	BRIDGE COMP., FORK TOP	1	
16	90102-KVN-900	BOLT, SP. FLANGE SOCKET 6 X 22	4	
17	90304-GA6-000	NYLOCK, NUT, 10MM	2	
18	90304-KSP-900	NUT, STEERING STEM	1	
19	90503-KTR-900	WASHER, STEERING STEM	1	
20	91455-MG8-000	CAP, SOC BOLT 6 MM	4	
21	96700-08020-00	BOLT SOCKET, 8 MM	2	
22	53131-KVN-901H	HOLDER HANDLE UP.(MGM)	1	

F-5
STRG. STEM



Service Item	F.R.T.	Group Number: F-5 Model :: Hunk (Feb, 2017)			
* RACE, STEERING BALL (SAME TIME FOR TWO UNITS)	1.0	Ref No.	Part Number	Description	Req.
	--	1	50301-KTR-900	RACE, STEERING BALL	2
* STEM COMP., STEERING	1.1	2	53200-KTN-700	STEM COMP., STRG.	1
* RACE, STEERING TOP CONE	0.6	3	53211-268-010	RACE, STEERING TOP CONE	1
* THREAD, STRG. TOP	--	4	53212-200-000	RACE, STEERING BOTTOM CONE	1
		5	53214-200-000	DUST SEAL, STEERING HEAD	1
		6	53215-KTR-900	BALL, ASSY. STEERING	2
		7	53216-KVN-970	STAY,CLAMPER	1
		8	53221-KSP-900	THREAD, STRG., TOP	1
		9	53222-KRM-860	MUD GUARD, STRG., (HEAD TOP)	1
		10	95701-08035-07	BOLT, FLANGE, 8X35	2
		11	96001-06012-07	BOLT, FLANGE, SH., 6 X 12	1
		12	96211-08000	BALL STEEL 8 MM	16
		13	96700-06012-07	BOLT, SOCKET, 6 X 12	1
		14	96700-06020-07	BOLT, SOCKET, 6 X 20	1

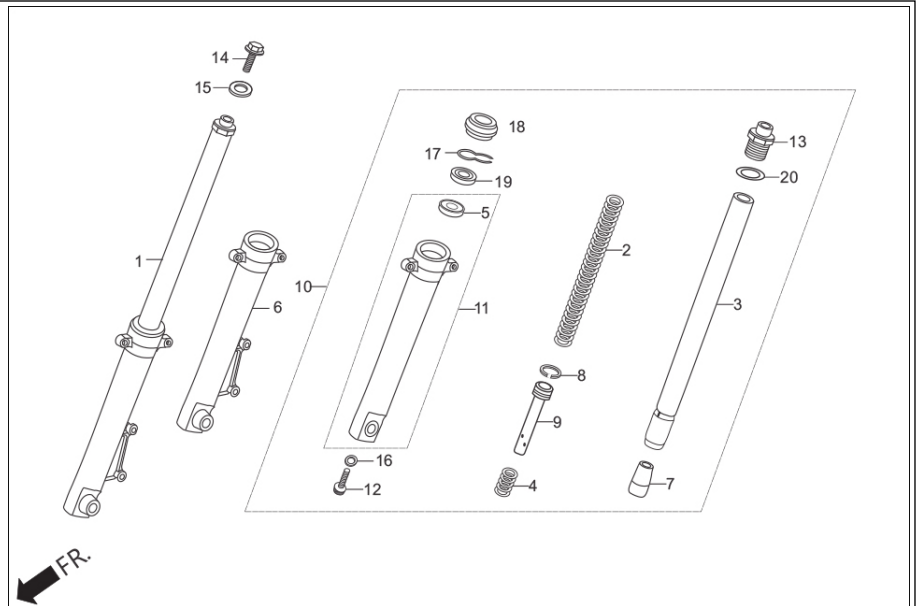
F-6
FRONT FENDER



Service Item	F.R.T.	Group Number: F-6 Model :: Hunk (Feb, 2017)			
*FENDER FRONT	0.3	Ref No.	Part Number	Description	Req.
		1	33740-AAB-000	REFLEX REFLECTOR FRONT	2
		2	61100-KVN-970ZA	FENDER, FRONT(PANTHER BLACK ME, NH-B08M)	1
			61100-AAK-100U	FENDER FRONT(MBK NH-105)	1
			61100-KVN-970ZE	FENDER, FRONT(CANDY BLAZING RED, R-195C)	1
			61100-KVN-970ZD	FENDER, FRONT(PEARL HARVEST GREEN, GY-136P)	1
			61100-KVN-970ZG	FENDER, FRONT(SPORTS RED, R-321)	1
			61100-AAK-H70Y	FENDER FRONT(PFW,NH341P)	1
		3	61200-KVN-970ZA	COVER R, FR FENDER(PANTHER BLACK ME, NH-B08M)	1
			61200-AAK-100U	COVER RFR FENDER(MBK NH-105)	1
			61200-KVN-970ZE	COVER R, FR FENDER(CANDY BLAZING RED, R-195C)	1
			61200-KVN-970ZD	COVER R, FR FENDER(PEARL HARVEST GREEN, GY-136P)	1
			61200-KVN-970ZG	COVER R, FR FENDER(SPORTS RED, R-321)	1
			61200-AAK-H70Y	COV R, FR FENDER(PFW,NH341P)	1
		4	61300-KVN-970ZAH	COVER L, FR FENDER(PBME, NH-B08M)	1
			61300-AAK-100U	COVER LFR FENDER(MBK NH-105)	1
			61300-KVN-970ZE	COVER L, FR FENDER(CANDY BLAZING RED, R-195C)	1
			61300-KVN-970ZDH	COVER L, FR FENDER(PHG, GY-136P)	1
			61300-KVN-970ZG	COVER L, FR FENDER(SPORTS RED, R-321)	1
			61300-AAK-H70Y	COV L, FR FENDER(PFW,NH341P)	1
		5	61102-KVN-900	STAY, FR. FENDER	1
		6	61103-KRY-900	COLLAR, A FR.FENDER	4
		7	61105-KTC-900	RUBBER, FRONT FENDER MOUNTING	4
		8	90106-KRY-970	SCREW,FAIRING B (5X11.5)	2
		9	90320-GC3-000	NUT, SPRING, M5	2
		10	93903-34320	SCREW TAPPING 4X12	4
		11	96001-06032-00	BOLT, FLANGE, SH., 6 X 32	4
		12	90302-KTE-911	NUT FLANGE PT 6MM	2

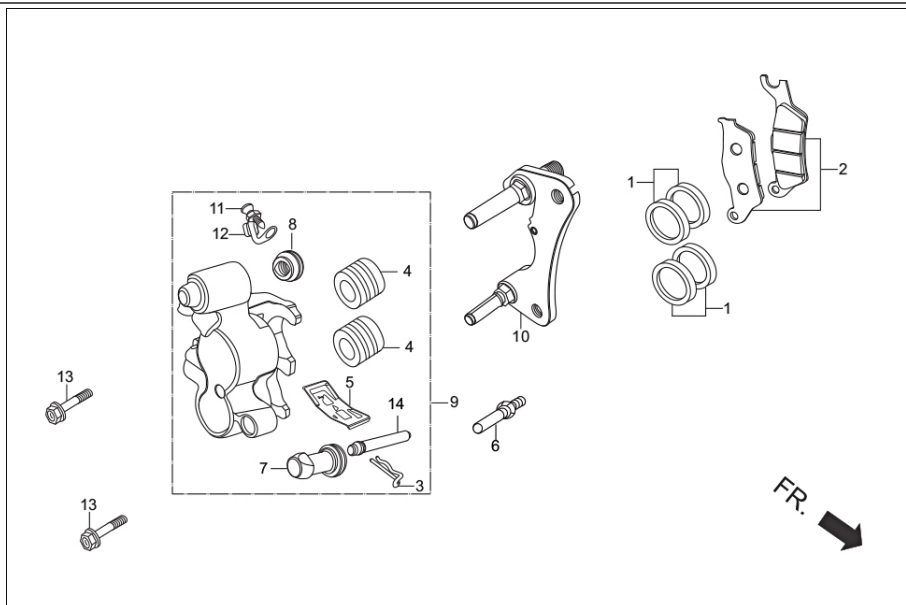
F-7
FRONT FORK

FR.



Service Item	F.R.T.	Group Number: F-7 Model :: Hunk (Feb, 2017)			
		Ref No.	Part Number	Description	Req.
* FORK ASSY., L. FR. (ADD 0.1 FOR EACH)	0.4 --	1	51400-AAK-100	FORK ASSY R FRONT	1
* FORK ASSY., R.	--	2	51401-KSP-901	SPRING, FRONT FORK	2
* SPRING, FR. FORK (ADD 0.3 FOR EACH)	0.6 --	3	51410-KVN-901	PIPE COMP., FR. FORK	2
* PIPE COMP., FR. FORK (ADD 0.4 FOR EACH)	0.7 --	4	51412-KSP-901	SPRING, REBOUND	2
* CASE COMP., L. FR BOTTOM (ADD 0.5 FOR EACH)	0.8 --	5	51412-KFN-851	SPRING, BACK UP	2
* CASE COMP., R FR BOTTOM (ADD 0.5 FOR EACH)	--	6	51420-AAB-000	CASE COMP R FR BOTTOM	1
* SEAL SET, FR. FORK (ADD 0.5 FOR EACH)	--	7	51432-KFN-851	PIECE, OIL LOCK	2
		8	51437-KVN-901	RING, PISTON	2
		9	51440-KVN-901	PIPE, SEAT	2
		10	51500-AAK-100	FORK ASSY L FRONT	1
		11	51520-AAB-000	CASE COMP L FR BOTTOM	1
		12	90116-KAG-900	BOLT, SOCKET, 8 MM	2
		13	90123-KSP-901	BOLT, A FRONT FORK	2
		14	90123-KRM-860	BOLT, FR. FORK	2
		15	90521-292-000	WASHER, PLAIN, 10.3 MM	2
		16	90544-KFN-851	WASHER, SPECIAL, 8MM	2
		17	90601-KFN-851	RING, OIL SEAL STOP	2
		18	91254-GAA-003R	SEAL, DUST	2
		19	91255-KRM-852	SEAL OIL 31X43X10.3	2
		20	91356-KAG-900	O - RING	2

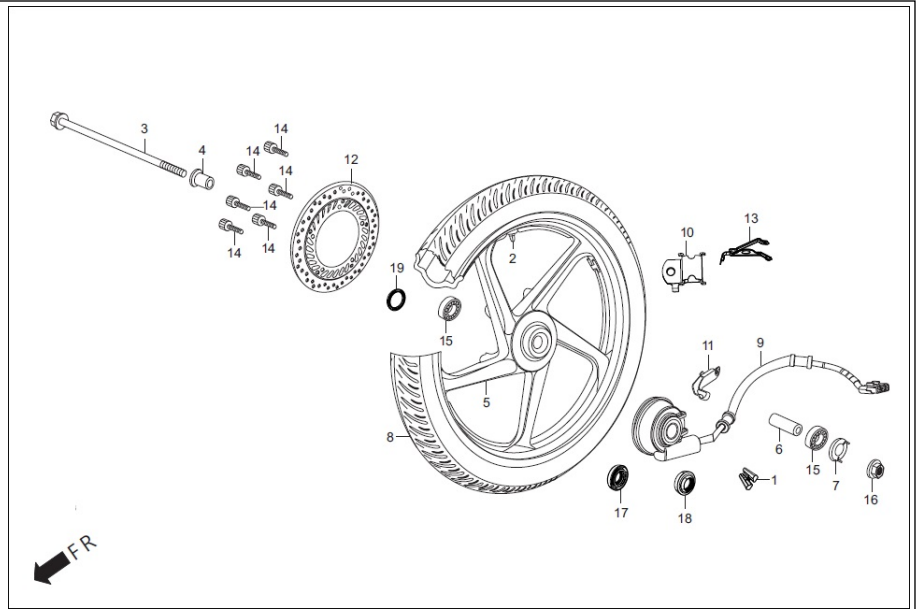
F-8
CALIPER ASSY 'R' FR



Service Item	F.R.T.	Group Number: F-8 Model :: Hunk (Feb, 2017)			
* PAD SET, FRONT	0.2	Ref No.	Part Number	Description	Req.
* PISTON, 26	0.5	1	06451-KCC-841	SEAL SET, PISTON	2
(ADD. 0.1 FOR EACH)	--	2	06455-KCC-841	PAD SET, FRONT	1
(INC. RELATIVE PART)	--	3	43216-MAK-003	CLIP	1
* CALIPER ASSY., R. FR	0.4	4	45107-KCC-841	PISTON, 26	2
		5	45108-KCC-841	PAD, SPRING	1
		6	45131-GE2-006L	PIN BOLT A	1
		7	45132-KCC-841	BUSH, BOOT PIN	1
		8	45133-KCC-841	BOOT,B	1
		9	45250-KCC-841	CALIPER SUB ASSY., R FR	1
		10	45290-KCC-841	BRKT. SUB ASSY., R FR	1
		11	45352-KCC-841	SCREW, BLEEDER	1
		12	45353-KCC-841	CAP, BLEEDER	1
		13	90155-KSP-900	BOLT , FLANGE 8X25	2
		14	45220-KCC-841	PIN COMP., HANGER	1

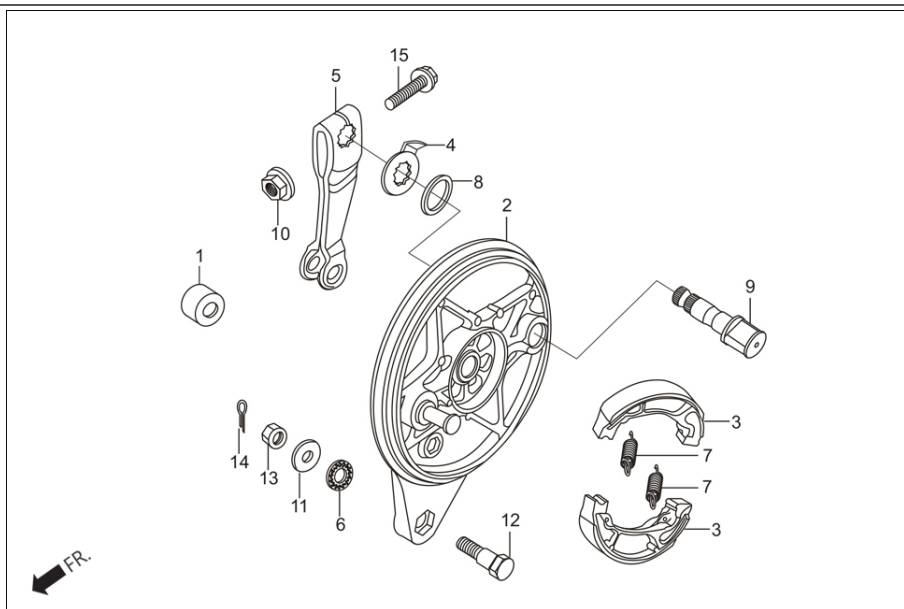
F-9

FRONT WHEEL



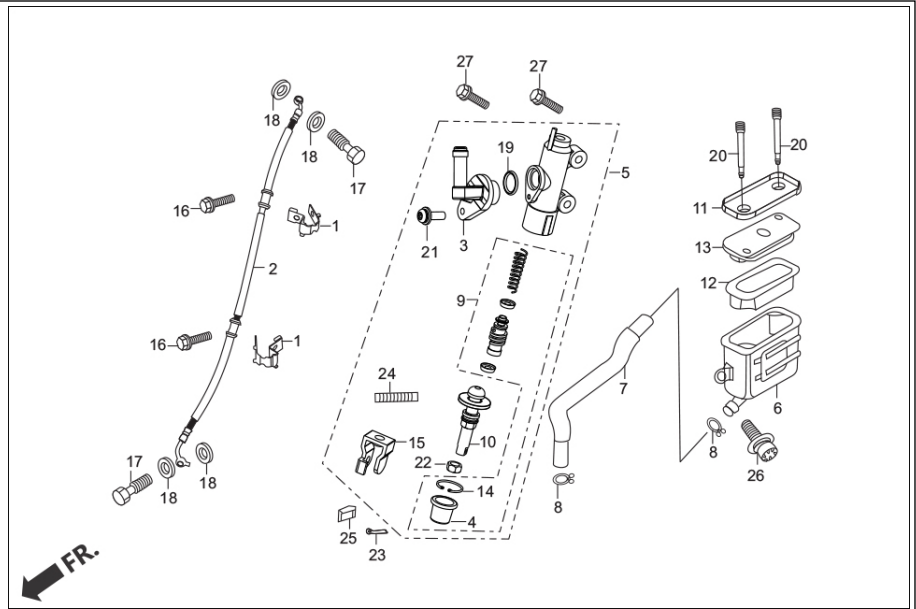
Service Item	F.R.T.	Group Number: F-9 Model :: Hunk (Feb, 2017)			
* TUBE, TYRE (2.75-18)	0.9	Ref No.	Part Number	Description	Req.
* TYRE, FR. (2.75-18-42P)	--	1	42704-MB0-000	WEIGHT, BALANCE 10	1
* AXLE, FR. WHEEL	0.3		42705-MER-D00	WEIGHT, BALANCE 20	1
* COLLAR, FRONT DISTANCE	0.4		42706-MB0-000	WEIGHT, BALANCE 30	1
* GEAR BOX ASSY., SPDMT	0.3	2	42753-KWF-90099	RIM VALVE	1
* DISC. FR. BRAKE	--	3	44301-KSP-900	AXLE, FRONT WHEEL	1
* BEARING, RADIAL BALL	--	4	44311-KRC-900	COLLAR, FR. WHEEL SIDE	1
(ADD. 0.1 FOR EACH)	--	5	44601-AAK-H71	WHEEL FR	1
		6	44620-400-000	COLLAR, FRONT DISTANCE	1
		7	44680-KSP-B00	RETAINER,GEAR BOX	1
		8	44711-KRY-971	TYRE,FR	1
		9	44800-KVN-971	SENSOR ASSY,SPEED	1
		10	44818-KSP-B00	CLAMPER B , SPDMT CORD	1
		11	45164-KVN-970	CLAMPER , SP SENSOR	1
		12	45251-KSP-861	DISC, FR. BRAKE	1
		13	53216-KVN-970	STAY,CLAMPER	1
		14	90105-KGH-900	BOLT, FR. DISK, 8 X 24	6
		15	96150-63010-10	BEARING, BALL RADIAL, 6301 (UU)	2
		16	90306-KST-942	NUT, CASTLE, 12 MM	1
			90306-KTE-911	NUT, CASTLE, 12 MM	1
		17	90755-229-000	OIL SEAL, 21 X 37 X 7	1
		18	91251-KPH-901	DUST SEAL, 21 X 37 X 7	1
		19	91258-KWC-901	DUST SEAL, 40X50X5	1

F-10
REAR BRAKE PANEL



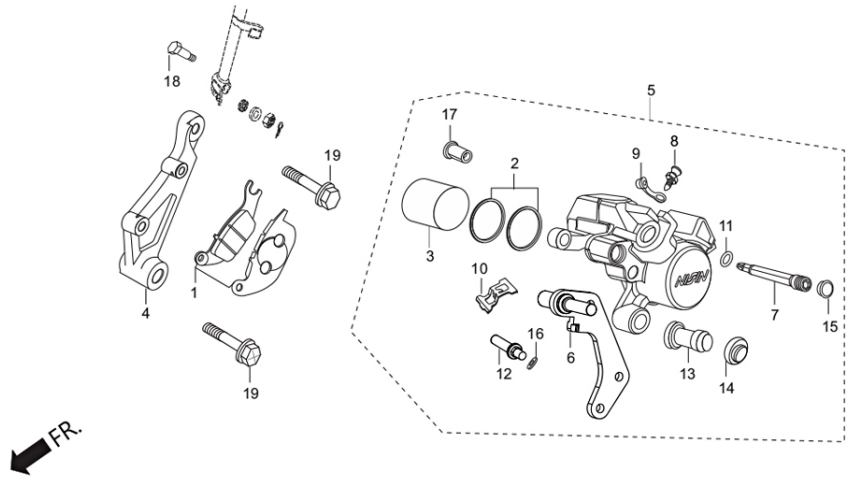
Service Item	F.R.T.	Group Number: F-10 Model :: Hunk (Feb, 2017)			
* PANEL COMP., RR. BRAKE	0.5	Ref No.	Part Number	Description	Req.
* SHOE COMP., BRAKE	0.4	1	42313-240-000	COLLAR, RR., BRAKE PANEL SIDE	1
(ONE OR ALL)	--	2	43100-KRY-930	PANEL COMP., RR. BRAKE	1
* ARM, RR. BRAKE	0.1	3	45125-AAH-F0099	SHOE COMP BRAKE	2
(INC. RELATIVE PART)	--	4	43145-149-000	INDICATOR, RR. BRAKE	1
		5	43410-KRY-930	ARM, REAR BRAKE	1
		6	43434-ME1-670	RUBBER, STOPPER ARM	1
		7	45133-KCC-900	SPRING, FR. BRAKE SHOE	2
		8	45134-250-000	DUST SEAL, BRAKE CAM	1
		9	45141-KTC-900	CAM FR. BRAKE	1
		10	90301-473-000	NUT,U 6MM	1
		11	90505-425-000	WASHER, 8 MM	1
		12	92811-10000	BOLT A BRAKE STOPPER	1
		13	94001-08000-0S	NUT, HEX., 8 MM	1
		14	94201-20150	PIN, SPLIT, 2.0 X 15	1
		15	95701-06035-00	BOLT, FLANGE, 6X35	1

F-10A-DISC
REAR BRAKE MASTER CYL.



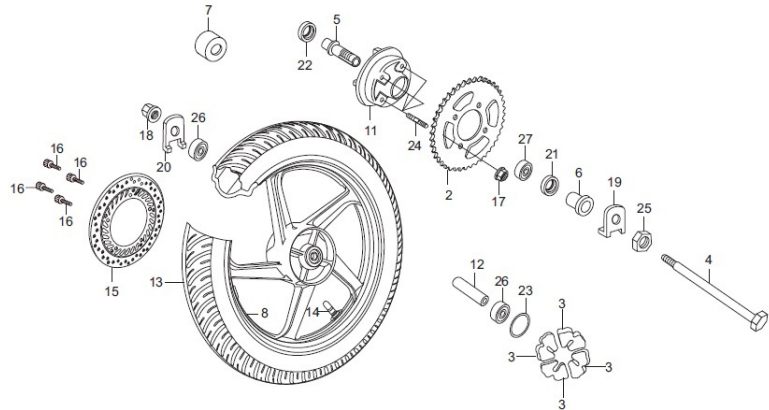
Service Item	F.R.T.	Group Number: F-10A-DISC Model :: Hunk (Feb, 2017)			
		Ref No.	Part Number	Description	Req.
		1	43155-KRY-970	CLAMPER RR BRAKE HOSE	2
		2	43310-AAK-100	HOSE COMP RR BRAKE	1
		3	43503-MEE-006	CONNECTOR	1
		4	43504-MB2-006	BOOT COMP.	1
		5	43510-KRY-971	M/C SUB ASSY REAR	1
		6	43511-KW7-881	OIL CUP COMP.	1
		7	43512-KVN-971	HOSE COMP,RR M/C	1
		8	43514-KS6-701	CLAMP. M/C OIL HOSE	2
		9	43520-MJ6-315	PISTON SET M/C	1
		10	43530-MV9-006	PUSH ROD COMP.	1
		11	45513-GW0-911	CAP M/C	1
		12	45520-GW0-911	DIAPHRAGM	1
		13	45521-GW0-911	PLATE DIAPHRAGM	1
		14	46182-MEL-D21	CIRCLIP	1
		15	46504-KV6-702	JOINT BRK ROD	1
		16	90103-MCS-G00	BOLT, FLANGE SH.6X12	2
		17	90145-MS9-610	OIL BOLT, 10 X 22	2
		18	90545-300-000	WASHER ,OIL BOLT	4
		19	91212-422-006	O RING	1
		20	93600-04045-1G	SCREW FLAT 4X45	2
		21	93893-04012-17L	SCREW WASHER 4X12	1
		22	94002-08000-0S	NUT HEX.8 MM	1
		23	94201-20150	PIN, SPLIT, 2.0 X 15	1
		24	94305-20102	PIN SPRING 2X10	1
		25	95015-54000	PIN D JOINT	1
		26	95701-06012-00	BOLT, FLANGE, 6X12	1
		27	95701-06022-00	BOLT, FLANGE, SH. 6 X 22	2

F-10B-DISC
CALIPER ASSY. REAR



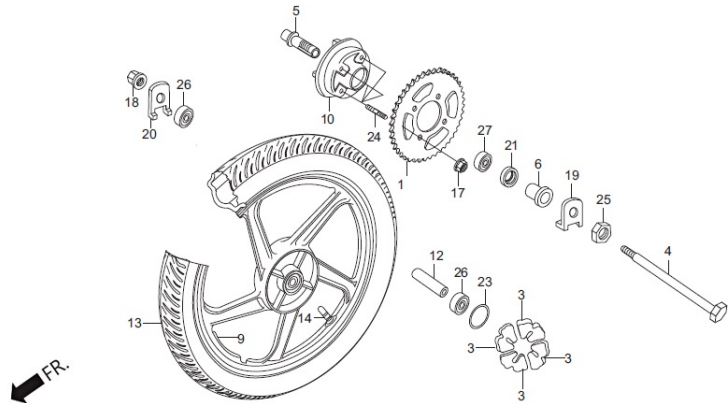
Service Item	F.R.T.	Group Number: F-10B-DISC Model :: Hunk (Feb, 2017)			
		Ref No.	Part Number	Description	Req.
* REAR BRAKE MASTER CYL.	0.1	1	06435-KRY-971	PAD SET, RR.	1
* DIAPHRAGM	--	2	06451-MA7-405	SEAL SET, PISTON	1
* HOSE COMP., REAR BRAKE	0.4	3	43107-MA7-006	PISTON	1
*MASTER CYLINDER SUB ASSY. FRONT BRAKE	--	4	43115-KVN-971	HOLDER RR CALIPER	1
* CYLINDER SET, MASTER	--	5	43150-KRY-972	CALIPER SUB ASSY. RR	1
		6	43190-KRY-971	BRKT SUB ASSY, RR.	1
		7	43215-KGH-901	PIN,HANGER	2
		8	43352-568-003L	SCREW BLEEDER	1
		9	43353-461-771L	CAP BLEEDER	1
		10	45108-KCC-841	PAD, SPRING	1
		11	45111-MAJ-G41	STOPPER RING	1
		12	45131-GZ0-006L	PIN BOLT	1
		13	45132-166-016L	BUSH BOOT PIN	1
		14	45133-MA3-006L	BOOT B	1
		15	45203-MCC-006	PLUG,PIN	1
		16	45216-166-006L	WASHER WAVE	1
		17	45216-KPP-861	TORQUE NUT	1
		18	90127-KRY-970	BOLT TORQUE LINK	1
		19	90155-KY4-900	BOLT, FLANGE, 8 X 25	2

F-11-DISC
REAR WHEEL



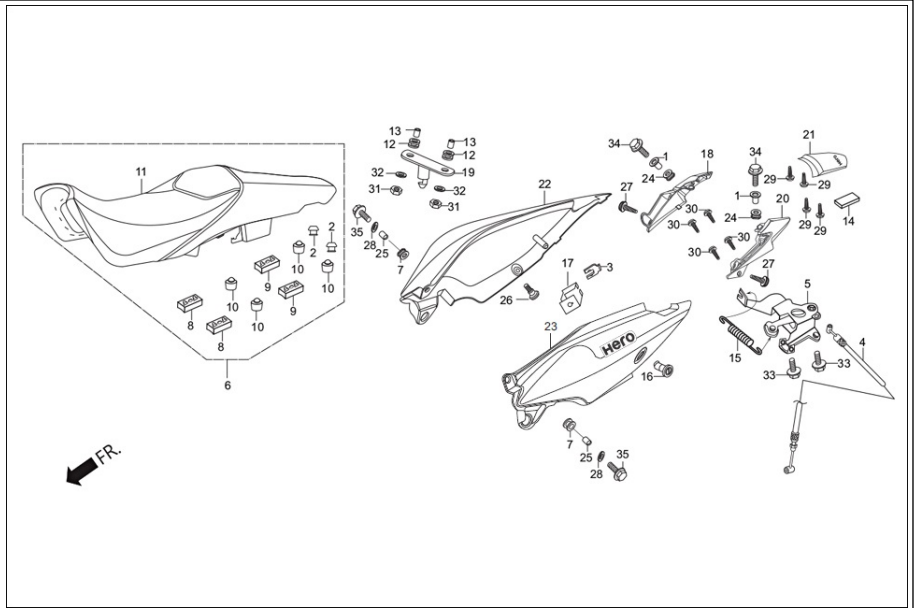
Service Item	F.R.T.	Group Number: F-11-DISC Model :: Hunk (Feb, 2017)			
		Ref No.	Part Number	Description	Req.
AXLE, RR. WHEEL	0.3	2	41201-KVN-970	SPROCKET,FINAL DRIVEN 43T	1
DAMPER SET, WHEEL	--	3	41241-KSP-900	DAMPER, RR WHEEL	4
BEARING, RADIAL BALL, 6302(U)	0.5	4	42301-KVE-900	AXLE,RR.WHEEL	1
(ADD 0.1 FOR EACH)	--	5	42303-KRY-931	SLEEVE, REAR WHEEL	1
COLLAR, RR. AXLE DIATANCE	--	6	42311-KVE-900	COLLAR, RR WHEEL SIDE	1
SLEEVE, RR. AXLE	--	7	42313-KRY-970	COLLAR RR. BRAKE SIDE	1
FLANGE FINAL DRIVEN	0.8	8	42601-AAR-H71	WHEEL COMP RR	1
SPROCKET, FINAL DRIVEN (43T)	0.7	11	42611-KVN-970	FLANGE,FINAL DRIVEN	1
BEARING, RADIAL BALL, 6005	0.7	12	42620-KSP-900	COLLAR, REAR AXLE DISTANCE	1
TYRE RR (100/90-18, 56P)	0.9	13	42711-KRY-971	TYRE,RR	1
TUBE SET	--	14	42753-KWF-90099	RIM VALVE	1
		15	43251-KVN-971	DISC,RR BRAKE	1
		16	90105-KL8-741	BOLT, FR.DISK, 8 X 24	4
		17	90304-KCS-920	NUT U 10 MM	4
			90304-KST-942	NUT FLG.PT 10MM	4
		18	90305-KVN-900	NUT, FLG. PT. 14 MM	1
		19	90559-KRY-970	WASHER, L RR AXLE	1
		20	90560-KVN-970	WASHER R RR AXLE	1
		21	91253-KSP-901	DUST SEAL, 30 X 47 X 8	1
		22	91257-230-003	OIL SEAL 28X42X7	1
		23	91352-KSP-900	O RING, 51 X 2	1
		24	92915-10025-0E	BOLT, STUD II, 10X25	4
		25	95020-15100	NUT `E STEM	1
		26	96140-63020-10	BRG., BALL RADIAL, 6302 (U)	2
		27	96150-60050-10	BEARING, BALL RADIAL, 6005	1

F-11-DRUM REAR WHEEL



Service Item	F.R.T.	Group Number: F-11-DRUM Model :: Hunk (Feb, 2017)			
		Ref No.	Part Number	Description	Req.
AXLE, RR. WHEEL	0.3	1	41201-KVE-900	SPROCKET, FINAL DRIVEN (43T)	1
DAMPER SET, WHEEL	--	3	41241-KSP-900	DAMPER, RR WHEEL	4
BEARING, RADIAL BALL, 6302(U)	0.5	4	42301-KVE-900	AXLE,RR.WHEEL	1
(ADD 0.1 FOR EACH)	--	5	42303-KRY-931	SLEEVE, REAR WHEEL	1
COLLAR, RR. AXLE DIATANCE	--	6	42311-KVE-900	COLLAR, RR WHEEL SIDE	1
SLEEVE, RR. AXLE	--	9	42601-AAK-H81	WHEEL COMP RR	1
FLANGE FINAL DRIVEN	0.8	10	42611-KRY-930	FLANGE, FINAL DRIVEN(NH-35M)	1
SPROCKET, FINAL DRIVEN (43T)	0.7	12	42620-KSP-900	COLLAR, REAR AXLE DISTANCE	1
BEARING, RADIAL BALL, 6005	0.7	13	42711-KRY-971	TYRE,RR	1
TYRE RR (100/90-18, 56P)	0.9	14	42753-KWF-90099	RIM VALVE	1
TUBE SET	--	17	90304-KCS-920	NUT U 10 MM	4
			90304-KST-942	NUT FLG.PT 10MM	4
		18	90305-KVN-900	NUT, FLG. PT. 14 MM	1
		19	90559-KVN-900	WASHER, L. RR. AXLE	1
		20	90560-KVN-970	WASHER R RR AXLE	1
		21	91253-KSP-901	DUST SEAL, 30 X 47 X 8	1
		23	91352-KSP-900	O RING, 51 X 2	1
		24	92915-10025-0E	BOLT, STUD II, 10X25	4
		25	95020-15100	NUT `E STEM	1
		26	96140-63020-10	BRG., BALL RADIAL, 6302 (U)	2
		27	96150-60050-10	BEARING, BALL RADIAL, 6005	1

F-12
SEAT ASSY./COWL

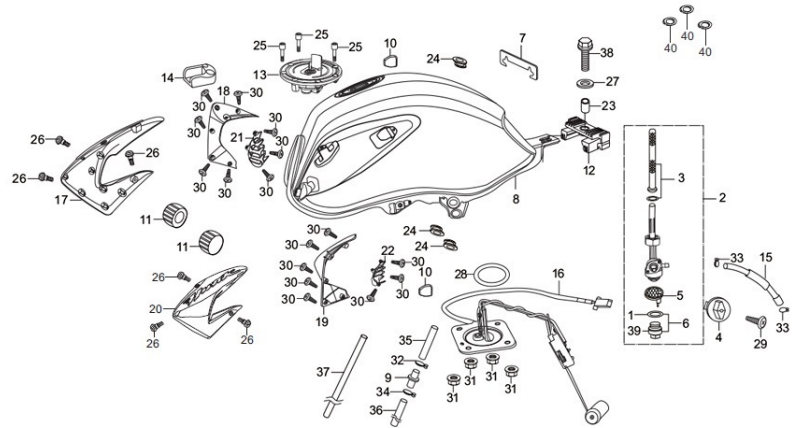


Service Item	F.R.T.	Group Number: F-12 Model :: Hunk (Feb, 2017)			
		Ref No.	Part Number	Description	Req.
* LOCK ASSY., SEAT	0.5	1	19052-KV0-000	COLLAR, RADIATOR MTG	2
* CABLE, SEAT LOCK	0.2	2	50354-428-000	STOPPER,RUBBERB	2
* COWL SET, R/L REAR (ADD 0.1 FOR EACH)	--	3	75582-KCW-870	SET SPG, LOCK KEY	1
* COWL SET, CENTER REAR	--	4	77156-KVN-970	CABLE,SEAT LOCK	1
* BRACKET COMP., SEAT LOCK	0.1	5	77160-KVN-970	BRKT COMP SEAT LOCK	1
		6	77200-KVN-900	SEAT, COMP, DOUBLE	1
		7	77202-KCC-900	RUBBER, SEAT MOUNTING	2
		8	77204-KCC-900	RUBBER, ` A SEAT SETTING	2
		9	77205-KVE-900	RUBBER, B SEAT SETTING	2
		10	77206-KFN-850	RUBBER SEAT CUSHION	4
		11	7720B-KVN-900	COVER, SEAT ASSY.	1
		12	77228-GBG-850	RUBBER SEAT LOCK BAR	2
		13	77229-GBG-850	COLLER SEAT LOCK BAR	2
		14	77231-KVN-900	CUSHION COWL CENTER	1
		15	77234-KVN-900	SPRING, SEAT LOCK	1
		16	77239-AAL-H00	KEY SEAT LOCK	1
		17	77244-KVN-900	STAY, SEAT LOCK CABLE	1
		18	77250-KVN-900	BASE R, REAR COWL (MBL)	1
		19	77260-KVE-900	BAR ASSY. SEAT LOCK	1
		20	77260-KVN-900H	BASE L, REAR COWL (MBL)	1
		21	77280-AAK-100	SET RR CENTRE COWL	1
		22	77315-AAK-H70ZA	SET, R REAR COWL(PBME,NH-B08M)	1
			77315-AAK-600U	SET, R. RR COWL (MAT BLACK)	1
			77315-AAK-H70ZE	SET, R REAR COWL(CBR,R-195C)	1
			77315-AAK-H70ZDH	SET, R REAR COWL(PHG,GY-136P)	1
			77315-AAK-H70ZGH	SET, R REAR COWL(SPORTS RED,R-321)	1
			77315-AAK-H70Y	SET, R REAR COWL(PFW,NH341P)	1
		23	77325-AAK-H70ZA	SET, L REAR COWL(PBME,NH-B08M)	1

	77325-AAK-600U	SET, L. RR COWL (MAT BLACK)	1
	77325-AAK-H70ZE	SET, L REAR COWL(CBR,R-195C)	1
	77325-AAK-H70ZDH	SET, L REAR COWL(PHG,GY-136P)	1
	77325-AAK-H70ZGH	SET, L REAR COWL(SRD,R-321)	1
	77325-AAK-H70Y	SET, L REAR COWL(PFW,NH341P)	1
24	83545-KCJ-690	RUBBER, SIDE COVER	2
25	84702-KCC-900	COLLAR, STAY NO. PLATE SET	2
26	90101-087-720	SCREW, HEAD LIGHT SET	1
27	90103-KVN-900	SCREW, PAN 5 X 13.5	2
28	90563-355-000	WASHER, WHEEL, 6 MM	2
29	93903-34380	SCREW, TAPPING, 4X12	4
30	93903-35280	SCREW, TAPPING, 5 X 12	4
31	94001-06090-0S	NUT, HEX, 6 MM	2
32	94103-06700	WASHER, PLAIN, 6 MM	2
33	95701-06018-08	BOLT, FLANGE, 6 X 18	2
34	95701-06020-00	BOLT, FLANGE, 6X20	2
35	95701-06022-00	BOLT, FLANGE, SH. 6 X 22	2

F-13 FUEL TANK

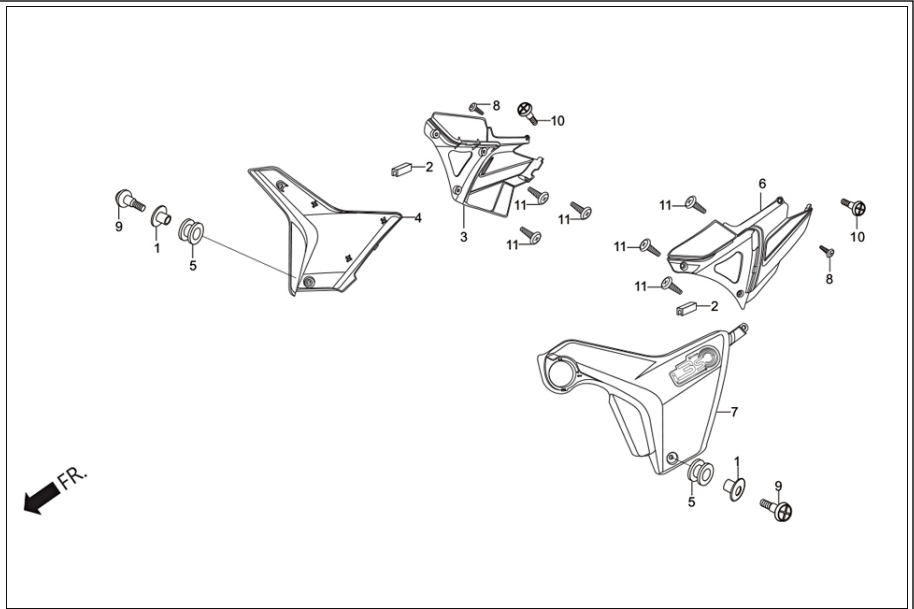
FR.



Service Item	F.R.T.	Group Number: F-13 Model :: Hunk (Feb, 2017)			
		Ref No.	Part Number	Description	Req.
*COCK ASSY., FUEL	0.2	1	16173-001-000	O- RING	1
*SCREEN, FUEL STRAINER	--	2	16950-AAK-200099	COCK ASSY. FUEL	1
*TANK SET, FUEL	0.3	3	16952-KVN-900	SCREEN SET, FEUL STRAINER	1
*UNIT ASSY., FUEL	0.4	4	16955-AAK-200	LEVER, FUEL COCK	1
		5	16959-HB3-000	FILTER, CUP	1
		6	16953-GT4-305	CUP SET, FUEL STRAINER	1
		7	17509-KVN-900	FILM, TANK PROTECTOR	1
		8	17510-KVN-900ZE	TANK, COMP. FUEL (PANTHER BLACK METALLIC)	1
			17510-AAK-100U	TANK COMP., FUEL (MAT BLACK)	1
			17510-KVN-900W	TANK COMP FUEL(CBR,R-195C)	1
			17510-KVN-970U	TANK COMP FUEL(PHG,GY-136P)	1
			17510-KVN-900ZD	TANK, COMP. FUEL (SPORTS RED)	1
			17510-AAK-H70Y	TANK COMP FUEL(PFW,NH-341P)	1
		9	17525-KVE-900	JOINT TUBE	1
		10	17529-KVN-900	RUBBER SHROUD MOUNT	2
		11	17611-KFN-850	CUSHION, FR. FUEL TANK	2
		12	17613-MV4-000	CUSHION, RR. FUEL TANK	1
		13	17620-AAK-H01	CAP COMP. FUEL FILLER	1
		14	17646-MN8-700	RUBBER SEAL BREATHER	1
		15	17681-KVN-900	TUBE, FUEL	1
		16	37800-KVN-901	UNIT, ASSY. FUEL	1
		17	50200-AAK-100R	SET R SHROUD(PNB NH-B08M)	1
			50200-AAK-100U	SET R SHROUD(MBK NH-105)	1
			50200-AAK-100V	SET R SHROUD(CBR R-195C)	1
			50200-AAK-100X	SET R SHROUD(PHG GY-136P)	1
			50200-AAK-100Y	SET R SHROUD(SRD R-321)	1
			50200-AAK-100Z	SET R SHROUD(PFW NH-341P)	1
		18	50265-KVN-900	SHROUD, R INNER	1

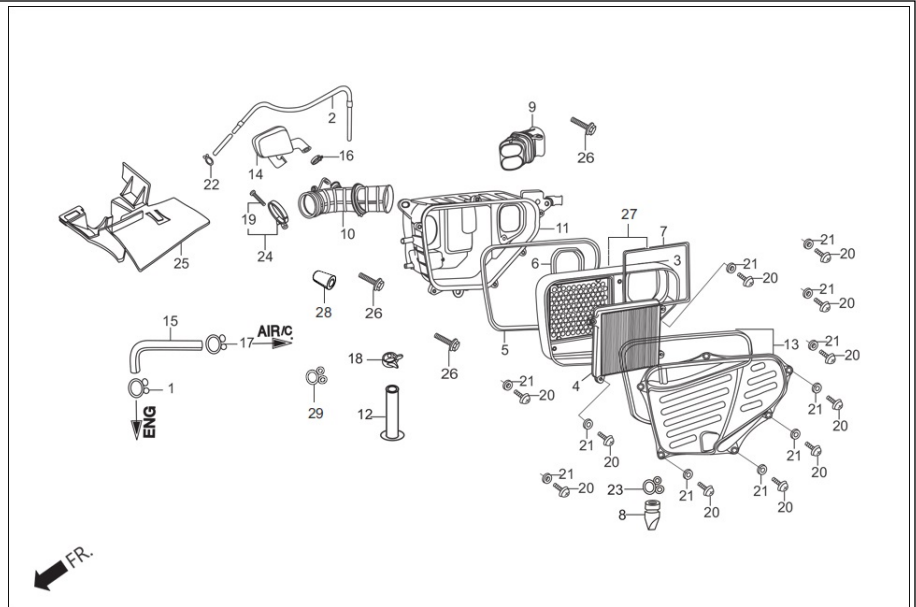
19	50275-KVN-900H	SHROUD, L INNER	1
20	50300-AAK-100R	SET L SHROUD(PNB NH-B08M)	1
	50300-AAK-100U	SET L SHROUD(MBK NH-105)	1
	50300-AAK-100V	SET L SHROUD(CBR R-195C)	1
	50300-AAK-100X	SET L SHROUD(PHG GY-136P)	1
	50300-AAK-100Y	SET L SHROUD(SRD R-321)	1
	50300-AAK-100Z	SET L SHROUD(PFW NH-341P)	1
21	64720-KVN-900	LOUVER, R	1
22	64820-KVN-900	LOUVER, L	1
23	80101-KVN-900	COLLAR, 8 X 12	1
24	83551-300-000	GROMMET, AIR CLEANER CASE	3
25	90074-KVE-900	BOLT SOCKET 4 X 21	3
26	90108-KVN-900	BOLT, COWL SET	6
27	90534-MV4-000	WASHER ,8.5X28	1
28	91305-443-740	O RING, 39.5 X 5	1
29	93500-04025-0G	SCREW, PAN, 4X25	1
30	93903-34380	SCREW, TAPPING, 4X12	16
31	94050-06000	NUT, FLANGE, 6 MM	4
32	95002-02080	CLIP, TUBE	1
33	95002-02100	CLIP, B-10 TUBE	2
34	95002-02130	CLIP B 12.5 TUBE	1
35	95005-45470-20	TUBE, BREATHER 4.5 X 470	1
36	95005-80350-20	TUBE, FUEL 8 X 350	1
37	95005-80800-20	TUBE, 8 X 800	1
38	95701-08025-00	BOLT, FLANGE 8 X 25	1
39	16967-MA2-770	CUP, FUEL STRAINER	1
40	94111-03800	WASHER, SPRING, 3MM	3

F-14
SIDE COVER



Service Item	F.R.T.	Group Number: F-14 Model :: Hunk (Feb, 2017)			
		Ref No.	Part Number	Description	Req.
*SET, RIGHT SIDE COVER	0.1	1	19052-KV0-000	COLLAR, RADIATOR MTG	2
*SET, LEFT SIDE COVER	0.1	2	77231-KVE-900	CUSHION COWL CENTER A.	2
* COVER, B, R SIDE	--	3	83550-KVN-970R	COVER B R SIDE (PANTHER BLACK ME. (NH-B08M))	1
* COVER B, 'L' SIDE	--		83550-AAK-100U	COVER B R SIDE(MBK NH-105)	1
			83550-KVN-970V	COVER B R SIDE (CANDY BLAZING RED (R-195C))	1
			83550-KVN-970U	COVER B R SIDE (PEARL HARVEST GREEN (GY-136P))	1
			83550-KVN-970X	SET, R. SIDE COVER B (SPORTS RED)	1
			83550-AAK-H70Y	COVER B R SIDE (PFW, NH-341P)	1
		4	83520-AAK-600	SET R SIDE COVER A	1
		5	83545-KVN-900	RUBBER, SIDE COVER	2
		6	83650-KVN-970R	COVER B L SIDE (PANTHER BLACK ME. (NH-B08M))	1
			83650-AAK-100U	COVER B L SIDE(MBK NH-105)	1
			83650-KVN-970V	COVER B L SIDE (CANDY BLAZING RED (R-195C))	1
			83650-KVN-970U	COVER B L SIDE (PEARL HARVEST GREEN (GY-136P))	1
			83650-KVN-970X	SET, L. SIDE COVER B (SPORTS RED)	1
			83650-AAK-H70Y	COVER B L SIDE(PFW NH-341P)	1
		7	83620-AAK-600	SET L. SIDE COVER A	1
		8	90101-087-720	SCREW, HEAD LIGHT SET	2
		9	90105-KVN-900	BOLT, SPECIAL 6 X 22	2
		10	90106-KVN-900	SCREW, PAN 5 X 18.5	2
		11	93903-34380	SCREW, TAPPING, 4X12	6

F-15 AIR CLEANER

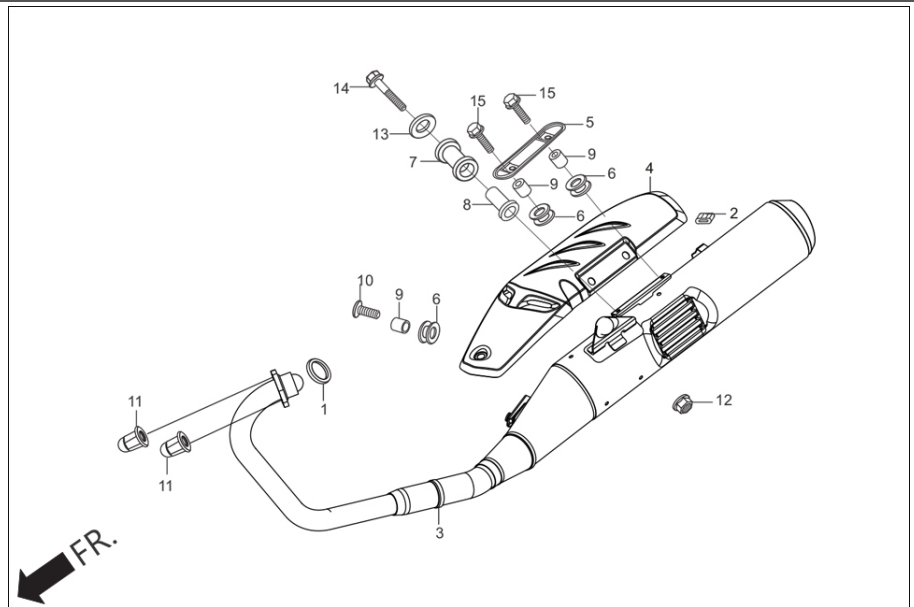


Service Item	F.R.T.
* ELEMENT COMP., AIR CLEANER	0.1
* COVER, SUB ASSY., AIR CLEANER.	0.3
* RESONATOR	0.2
* CASE SUB. ASSY., AIR CLEANER	0.7
* HOLDER SUB ASSY., AIR CLEANER	--

Group Number: F-15 Model :: Hunk (Feb, 2017)				
Ref No.	Part Number	Description	Req.	
1	15772-KTN-900	CLIP BREATHER TUBE	1	
2	16199-KVE-930	TUBE, AIR VENT	1	
3	17208-KVE-900	HOLDER COMP., ELEMENT	1	
4	17211-AAB-100	ELEMENT COMP AIR/C	1	
5	17213-KRY-900	SEALA AIR CLEANER	2	
6	17214-KRY-900	SEAL B AIR CLEANER	1	
7	17215-KTN-700	SEAL, HOLDER	1	
8	17216-KVN-900	TUBE, DRAIN	1	
9	17219-KVE-900	DUCT, AIR CLEANER	1	
10	17222-KVE-900	TUBE, AIR/C CONN.	1	
11	17225-KVN-900	CASE, SUB ASSY., AIR/C	1	
12	17234-KS4-770	TUBE,AIR CLEANER DRAIN	1	
13	17245-KVN-900	COVER, SUB ASSY. AIR/C	1	
14	17311-KRC-910	RESONATOR	1	
15	17371-KTN-700	TUBE BREATHER A	1	
16	19509-GE2-003	CLAMP, D19 TUBE	1	
17	90651-MK3-780	CLIP, B 12.5 TUBE	1	
18	91406-KFN-850	CLAMP, D14.5 TUBE	1	
19	93500-04032-0G	SCREW, PAN, 4 X 32	1	
20	93500-05016-1H	SCREW, PAN, 5 X 16	11	
21	94101-05000	WASHER , PLAIN, 5MM	11	
22	95002-70000	CLIP, C11 TUBE	1	
23	95002-80000	CLIP,C12 TUBE	1	
24	95018-54320	BAND54, AIR/C CONN. TUBE	1	
25	17234-KVN-900	COVER, AIR CLEANER DUCT	1	
26	90111-187-000	BOLT, FLANGE. 6 MM	3	
27	17235-KVE-900	HOLDER SUB ASSY. AIR CLEANER	1	
28	18651-AAM-100	PLUG AIR/C	1	

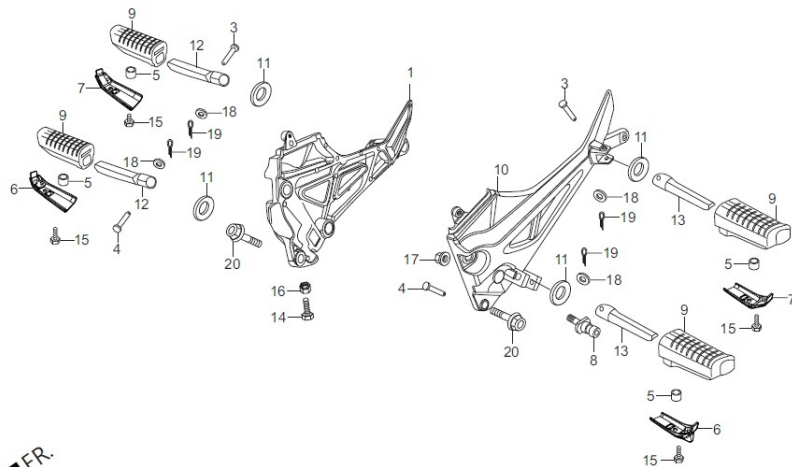
29	17369-AAM-100	CLIP BREATHER TUBE	1
----	---------------	--------------------	---

F-16
MUFFLER EXHAUST



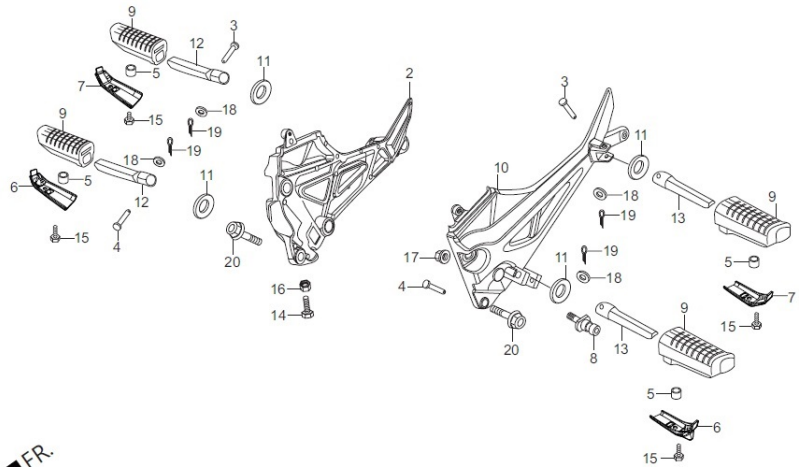
Service Item	F.R.T.	Group Number: F-16 Model :: Hunk (Feb, 2017)			
		Ref No.	Part Number	Description	Req.
* COVER-B COMP., MUFFLER	0.1	1	18291-KRY-930	GASKET, EXHAUST PIPE	1
* MUFFLER COMP., EXHAUST	0.3	2	18293-KPK-900	RUBBER, PKG. PROTECTOR	1
		3	18300-AAK-201	MUFFLER, COMP. EXH.	1
		4	18311-KVN-970	COVER,MUFFLER	1
		5	18317-KVN-900	PROTECTOR, MUFF	1
		6	18345-MBT-610	RUBBER, PROTECTOR, MOUNT	3
		7	18421-438-670	RUBBER, MUFFLER MOUNT	1
		8	18442-KRC-900	COLLAR, MUFFLER MOUNT	1
		9	33619-459-840	COLLAR, WINKER STAY	3
		10	90107-KST-940	SCREW MUFF. PROTECTOR MOUNT	1
		11	90305-KSP-900	NUT, 8MM EXP.	2
		12	94050-10070	NUT,FLANGE,10MM	1
		13	94103-10000	WASHER, PLAIN, 10MM	1
		14	95801-10055-00	BOLT, FLANGE, 10X55	1
		15	96001-06014-02	BOLT, FLANGE SH. 6 X 14	2

F-17-DISC STEP PILLION



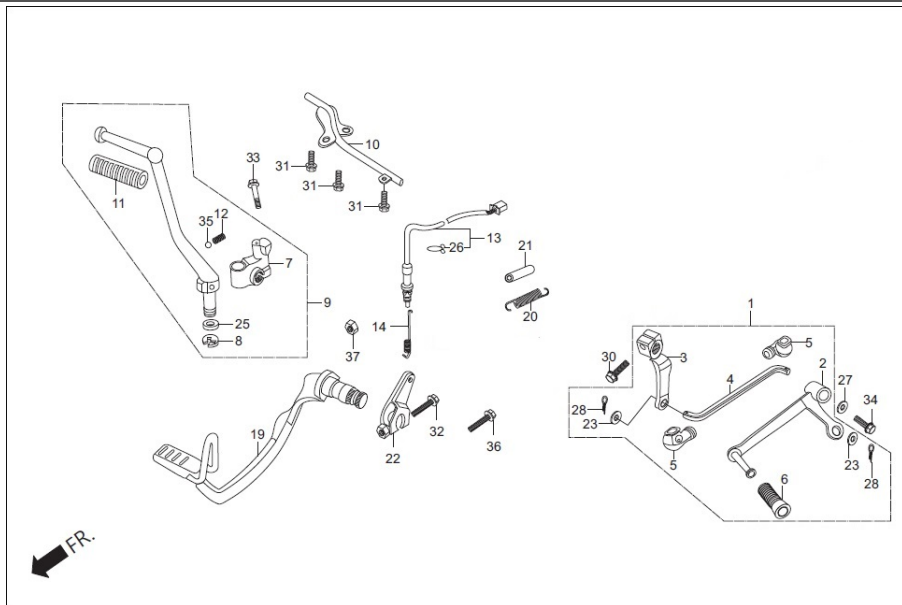
Service Item	F.R.T.	Group Number: F-17-DISC Model :: Hunk (Feb, 2017)			
		Ref No.	Part Number	Description	Req.
* BAR COMP., STEP	0.4	1	50600-KVN-970	HOLDER,R STEP	1
* BAR COMP., STEP	0.4	3	50603-KFN-850	PIN, STEP BAR JOINT	2
*BAR 'R' MAIN STEP	0.1	4	50603-KVE-900	PIN, STEP BAR JOINT	2
* BAR R., MAIN STEP	0.1	5	50618-KE8-000	COLLAR, 6.5 X 11 X 3	4
(INC. RELATIVE PART)	--	6	50619-KFN-850	PLATE, STEP LOWER	2
(INC. RELATIVE PART)		7	50619-KTN-700	PLATE, STEP LOWER	2
*BAR 'L' MAIN STEP	0.1	8	50643-KCT-690	PIVOT,CHANGE PEDAL	1
* BAR L., MAIN STEP	0.1	9	50661-KVN-900	RUBBER, M STEP	4
(INC. RELATIVE PART)		10	50700-KVN-900Z	HOLDER, L STEP(MGM)	1
(INC. RELATIVE PART)	--	11	50715-KVN-900	WASHER P. STEP	4
* BRKT. COMP., R. PILLION STEP	0.5	12	50717-KFN-850	BAR R PILLION STEP	2
* BRKT. COMP., R. PILLION STEP	0.5	13	50718-KFN-850	BAR L PILLION STEP	2
* BRKT. L., PILLION STEP	0.2	14	90001-KFN-850	BOLT,PEDAL BRAKE STOPPER	1
* BRKT. L., PILLION STEP	0.2	15	92101-06012-0G	BOLT, HEX 6 X 12	4
		16	94001-06090-0S	NUT, HEX, 6 MM	1
		17	94050-08000	NUT, FLANGE, 8MM	1
		18	94102-08000	WASHER, PLAIN, 8MM	4
		19	94201-20150	PIN, SPLIT, 2.0 X 15	4
		20	95701-10025-00	BOLT, FLANGE, 10 X 25	2

F-17-DRUM STEP PILLION



Service Item	F.R.T.	Group Number: F-17-DRUM Model :: Hunk (Feb, 2017)			
		Ref No.	Part Number	Description	Req.
* BAR COMP., STEP	0.4	2	50600-KVN-900Z	HOLDER, R STEP(MGM)	1
* BAR COMP., STEP	0.4	3	50603-KFN-850	PIN, STEP BAR JOINT	2
*BAR 'R' MAIN STEP	0.1	4	50603-KVE-900	PIN, STEP BAR JOINT	2
* BAR R., MAIN STEP	0.1	5	50618-KE8-000	COLLAR, 6.5 X 11 X 3	4
(INC. RELATIVE PART)	--	6	50619-KFN-850	PLATE, STEP LOWER	2
(INC. RELATIVE PART)		7	50619-KTN-700	PLATE, STEP LOWER	2
*BAR 'L' MAIN STEP	0.1	8	50643-KCT-690	PIVOT,CHANGE PEDAL	1
* BAR L., MAIN STEP	0.1	9	50661-KVN-900	RUBBER, M STEP	4
(INC. RELATIVE PART)		10	50700-KVN-900Z	HOLDER, L STEP(MGM)	1
(INC. RELATIVE PART)	--	11	50715-KVN-900	WASHER P. STEP	4
* BRKT. COMP., R. PILLION STEP	0.5	12	50717-KFN-850	BAR R PILLION STEP	2
* BRKT. COMP., R. PILLION STEP	0.5	13	50718-KFN-850	BAR L PILLION STEP	2
* BRKT. L., PILLION STEP	0.2	14	90001-KFN-850	BOLT,PEDAL BRAKE STOPPER	1
* BRKT. L., PILLION STEP	0.2	15	92101-06012-0G	BOLT, HEX 6 X 12	4
		16	94001-06090-0S	NUT, HEX, 6 MM	1
		17	94050-08000	NUT, FLANGE, 8MM	1
		18	94102-08000	WASHER, PLAIN, 8MM	4
		19	94201-20150	PIN, SPLIT, 2.0 X 15	4
		20	95701-10025-00	BOLT, FLANGE, 10 X 25	2

F-18-DISC
GEAR CHANGE PEDAL/KICK STARTER
/PEDAL BRAKE

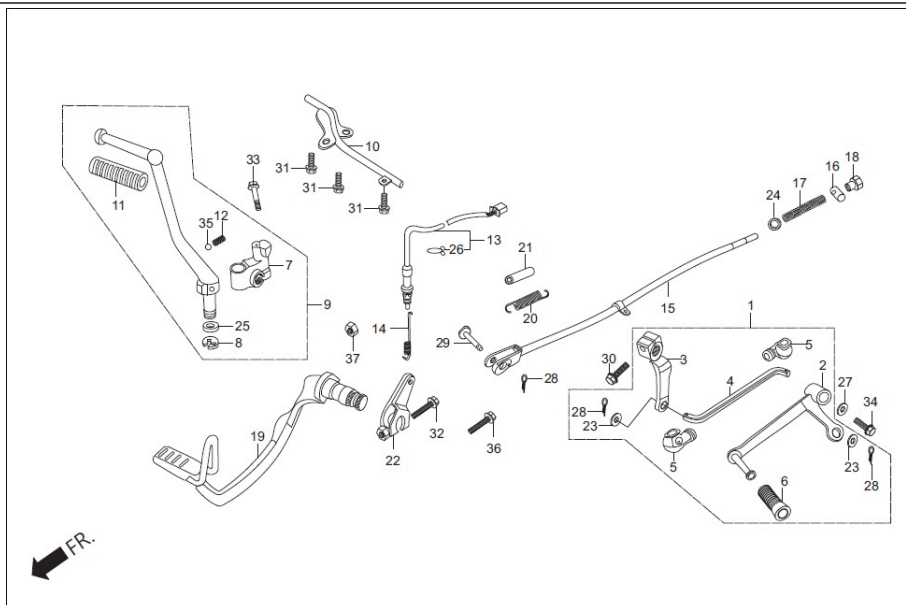


Service Item	F.R.T.
* PEDAL ASSY., GEAR CHANGE	0.1
* ARM ASSY., KICK STARTER	--
* JOINT, KICK ARM	0.2
* STOPPER, KICK ARM	0.3
* SWITCH ASSY., RR. STOP	0.2
* ROD COMP., RR. BRAKE	0.3
* PEDAL, BRAKE	0.5

Group Number: F-18-DISC Model :: Hunk (Feb, 2017)				
Ref No.	Part Number	Description	Req.	
1	24700-KVE-900	PEDAL ASSY. GEAR CHANGE	1	
2	24701-KVE-900	PEDAL, GEAR CHANGE	1	
3	24711-KVE-900	ARM, GEAR CHANGE PEDAL	1	
4	24720-KFN-850	TIE,ROD	1	
5	24721-GS3-000	COVER,CHANGE PEDAL	2	
6	24781-KR3-770	RUBBER, CHANGE PEDAL	1	
7	28241-AAK-H00	JOINT KICK ARM	1	
8	28293-333-000	CLIP, KICK STARTER ARM	1	
9	28300-AAK-H00	ARM ASSY KICK STARTER	1	
10	28307-AAK-H60	STOPPER KICK ARM	1	
11	28311-KC5-000	STARTER RUBBER, KICK	1	
12	28333-KK0-000	SPRING, KICK STARTER ARM SET	1	
13	35350-KFN-850	SW.ASSY.RR.STOP	1	
14	35357-KVN-970	SPG,STOP SW	1	
19	46500-KVN-970	PEDAL,BRAKE	1	
20	46514-KN5-670	SPG. BRAKE PEDAL	1	
21	46515-KB9-000	TUBE , BRAKE PEDAL SPRING	1	
22	46515-KVN-970	ARM COMP,MIDDLE	1	
23	90502-155-000	WASHER,PLAIN,7MM	2	
25	90505-KRM-860	WASHER, 15.5 X 22	1	
26	90601-KAF-003	CLIP, SW. COVER	1	
27	94103-06000	WASHER PLAIN,6MM	1	
28	94201-20150	PIN, SPLIT, 2.0 X 15	2	
30	95701-06020-00	BOLT, FLANGE, 6X20	1	
31	95701-08020-00	BOLT, FLANGE, 8X20	3	
32	95701-08040-07	BOLT FLANGE,8 X 40	1	
33	95801-08038-07	BOLT FLANGE 8X38	1	
34	96001-06012-00	BOLT,FLANGE,SH,,6 X 12	1	

35	96211-08000	BALL STEEL 8 MM	1
36	95701-08028-00	BOLT FLANGE, 8 X 28	1
37	94001-06000-0S	NUT, HEX., 6 MM	1

F-18-DRUM
GEAR CHANGE PEDAL/KICK STARTER
/PEDAL BRAKE

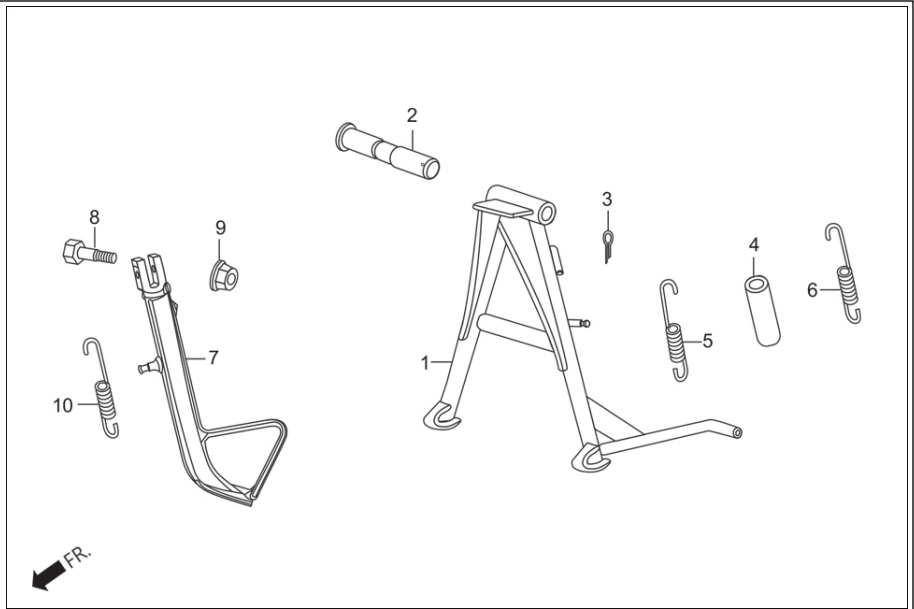


Service Item	F.R.T.
* PEDAL ASSY., GEAR CHANGE	0.1
* ARM ASSY., KICK STARTER	--
* JOINT, KICK ARM	0.2
* STOPPER, KICK ARM	0.3
* SWITCH ASSY., RR. STOP	0.2
* ROD COMP., RR. BRAKE	0.3
* PEDAL, BRAKE	0.5

Group Number: F-18-DRUM Model :: Hunk (Feb, 2017)				
Ref No.	Part Number	Description	Req.	
1	24700-KVE-900	PEDAL ASSY. GEAR CHANGE	1	
2	24701-KVE-900	PEDAL, GEAR CHANGE	1	
3	24711-KVE-900	ARM, GEAR CHANGE PEDAL	1	
4	24720-KFN-850	TIE,ROD	1	
5	24721-GS3-000	COVER,CHANGE PEDAL	2	
6	24781-KR3-770	RUBBER, CHANGE PEDAL	1	
7	28241-AAK-H00	JOINT KICK ARM	1	
8	28293-333-000	CLIP, KICK STARTER ARM	1	
9	28300-AAK-H00	ARM ASSY KICK STARTER	1	
10	28307-AAK-H60	STOPPER KICK ARM	1	
11	28311-KC5-000	STARTER RUBBER, KICK	1	
12	28333-KK0-000	SPRING, KICK STARTER ARM SET	1	
13	35350-KFN-850	SW.ASSY.RR.STOP	1	
14	35357-KVN-970	SPG,STOP SW	1	
15	43451-KVE-901	ROD COMP. RR. BRAKE	1	
16	43455-KSP-900	JOINT BRAKE ARM	1	
17	43456-KSP-900	SPRING BRAKE ROD	1	
18	43459-KSP-900	NUT RR. BRK. ADJUST	1	
19	46500-KVN-900	PEDAL, BRAKE	1	
20	46514-KCC-900	SPRING , BRAKE PEDAL	1	
21	46515-KB9-000	TUBE , BRAKE PEDAL SPRING	1	
22	46515-KVE-900	ARM, COMP, MIDDLE	1	
23	90502-155-000	WASHER,PLAIN,7MM	2	
24	90502-KRY-930	WASHER , BRAKE ROD	1	
25	90505-KRM-860	WASHER, 15.5 X 22	1	
26	90601-KAF-003	CLIP, SW. COVER	1	
27	94103-06000	WASHER PLAIN,6MM	1	
28	94201-20150	PIN, SPLIT, 2.0 X 15	3	

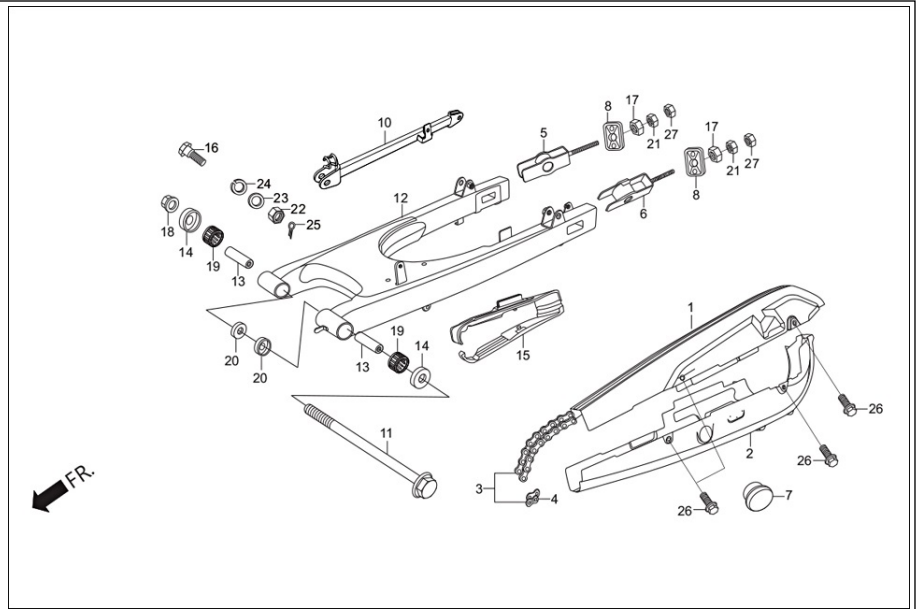
29	95015-53000	PIN, C JOINT	1
30	95701-06020-00	BOLT, FLANGE, 6X20	1
31	95701-08020-00	BOLT, FLANGE, 8X20	3
32	95701-08040-07	BOLT FLANGE,8 X 40	1
33	95801-08038-07	BOLT FLANGE 8X38	1
34	96001-06012-00	BOLT,FLANGE,SH,.6 X 12	1
35	96211-08000	BALL STEEL 8 MM	1
36	95701-08028-00	BOLT FLANGE, 8 X 28	1
37	94001-06000-0S	NUT, HEX., 6 MM	1

F-18A
MAIN STAND/SIDE STAND



Service Item	F.R.T.	Group Number: F-18A Model :: Hunk (Feb, 2017)			
* STAND COMP., MAIN	0.5	Ref No.	Part Number	Description	Req.
* BAR COMP., SIDE STAND	0.2	1	50500-KVE-930	STAND COMP. MAIN	1
* SPRING G., MAIN STAND	--	2	50526-KCT-690	SHAFT, MAIN STAND PIVOT	1
* SPRING, SIDE STAND	0.1	3	94201-30300	PIN, SPLIT 3 X 30MM	1
		4	50507-AAB-400	TUBE MAIN STAND SPRING 1	1
		5	50508-AAB-400	SPRING MAIN STAND 1	1
		6	50509-AAB-400	SPRING MAIN STAND 2	1
		7	50530-KVE-900	BAR COMP., SIDE STAND	1
		8	90107-GN1-010	SCREW SIDE STAND PIVOT	1
		9	90304-KFN-850	NUT U 10 MM	1
		10	95014-72102	SPRING, SIDE STAND	1

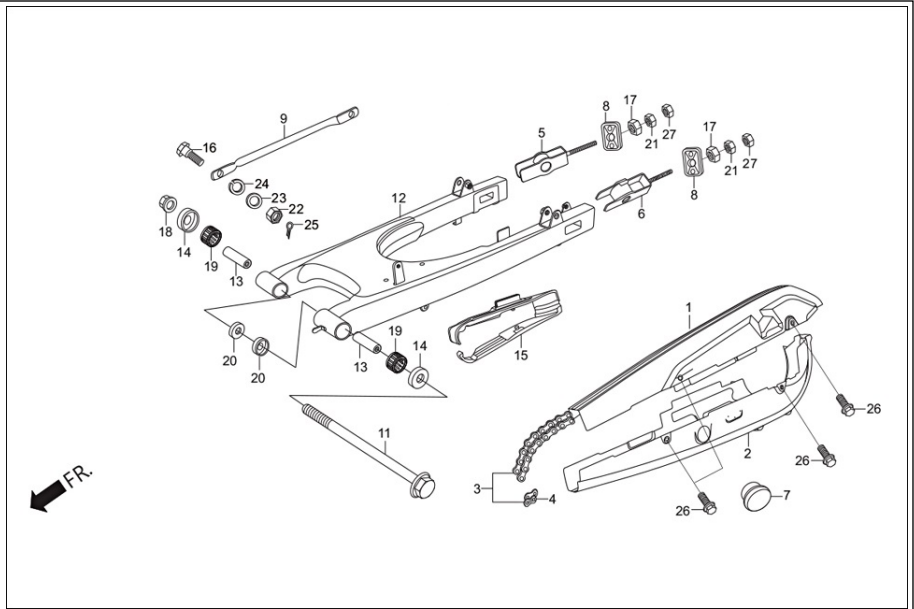
F-19-DISC
SWINGARM / CHAIN CASE



Service Item	F.R.T.	Group Number: F-19-DISC Model :: Hunk (Feb, 2017)			
		Ref No.	Part Number	Description	Req.
		1	40510-KVN-901	CASE, UP HALF DRIVE CHAIN	1
		2	40520-KVN-901	CASE, UND HALF DRIVE CHAIN	1
		3	40530-KSP-900	CHAIN DRIVE 428H-126	1
		4	40531-KCS-690	JOINT, RJ. DRIVE CHAIN	1
		5	40543-KRY-900	ADJUSTER, R CHAIN	1
		6	40544-KRY-900	ADJUSTER, L CHAIN	1
		7	40545-001-000	CAP, CHAIN PEEP HOLE	1
		8	40546-KVE-901	CAP, SWINGARM END	2
		10	43431-AAK-100	ARM COMP RR BRK STOPPER	1
		11	52101-KTN-700	BOLT, SWINGARM PIVOT	1
		12	52110-KVN-970	SWINGRAM COMP RR	1
		13	52143-KVE-900	COLLAR, PIVOT DIST L	2
		14	52144-KEJ-900	DUST SEAL, CAP REAR SWINGARM	2
		15	52170-KVN-900	SLIDER, CHAIN	1
		16	90133-331-770	BOLT, HEX., 8MM	1
		17	90302-KBP-900	NUT SPL 6 MM	2
		18	90305-KVN-900	NUT, FLG. PT. 14 MM	1
		19	91071-KVN-900	BRG, NEEDLE 20X26X20	2
		20	91254-KS6-003	DUST SEAL 20 X 26 X 4.5	2
		21	94001-06090-0S	NUT, HEX, 6 MM	2
		22	94001-08000-0S	NUT, HEX., 8 MM	1
		23	94101-08000	WASHER, PLAIN, 8MM	1
		24	94111-10000	WASHER, SPRING, 10MM	1
		25	94201-20150	PIN, SPLIT, 2.0 X 15	1
		26	95701-06012-07	BOLT, FLANGE, 6X12	4
		27	94001-06000-0S	NUT, HEX., 6 MM	2

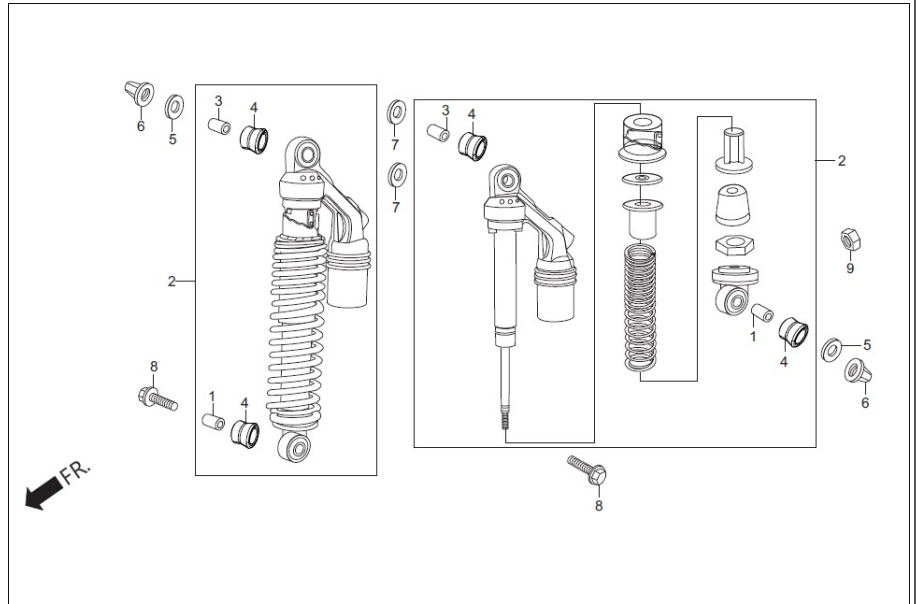
F-19-DRUM

SWINGARM / CHAIN CASE



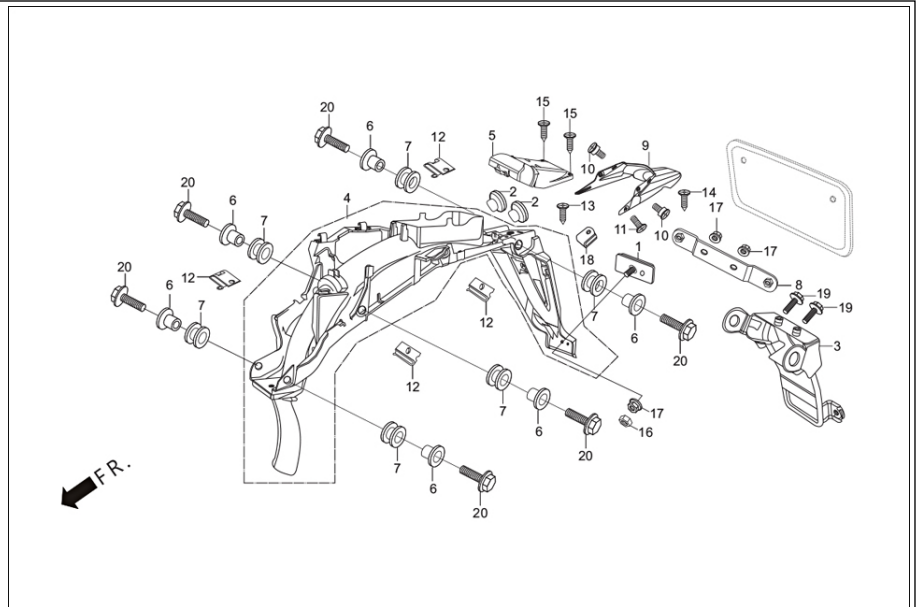
Service Item	F.R.T.	Group Number: F-19-DRUM Model :: Hunk (Feb, 2017)			
		Ref No.	Part Number	Description	Req.
		1	40510-KVN-901	CASE, UP HALF DRIVE CHAIN	1
		2	40520-KVN-901	CASE, UND HALF DRIVE CHAIN	1
		3	40530-KSP-900	CHAIN DRIVE 428H-126	1
		4	40531-KCS-690	JOINT, RJ. DRIVE CHAIN	1
		5	40543-KRY-900	ADJUSTER, R CHAIN	1
		6	40544-KRY-900	ADJUSTER, L CHAIN	1
		7	40545-001-000	CAP, CHAIN PEEP HOLE	1
		8	40546-KVE-901	CAP, SWINGARM END	2
		9	43431-KTR-900	ARM, RR, BRAKE STOPPER	1
		11	52101-KTN-700	BOLT, SWINGARM PIVOT	1
		12	52110-KVN-900	SWINGARM COMP., RR.(MGM)	1
		13	52143-KVE-900	COLLAR, PIVOT DIST L	2
		14	52144-KEJ-900	DUST SEAL, CAP REAR SWINGARM	2
		15	52170-KVN-900	SLIDER, CHAIN	1
		16	90133-331-770	BOLT, HEX., 8MM	1
		17	90302-KBP-900	NUT SPL 6 MM	2
		18	90305-KVN-900	NUT, FLG. PT. 14 MM	1
		19	91071-KVN-900	BRG, NEEDLE 20X26X20	2
		20	91254-KS6-003	DUST SEAL 20 X 26 X 4.5	2
		21	94001-06090-0S	NUT, HEX, 6 MM	2
		22	94001-08000-0S	NUT, HEX., 8 MM	1
		23	94101-08000	WASHER, PLAIN, 8MM	1
		24	94111-10000	WASHER, SPRING, 10MM	1
		25	94201-20150	PIN, SPLIT, 2.0 X 15	1
		26	95701-06012-07	BOLT, FLANGE, 6X12	4
		27	94001-06000-0S	NUT, HEX., 6 MM	2

F-20 CUSHION REAR



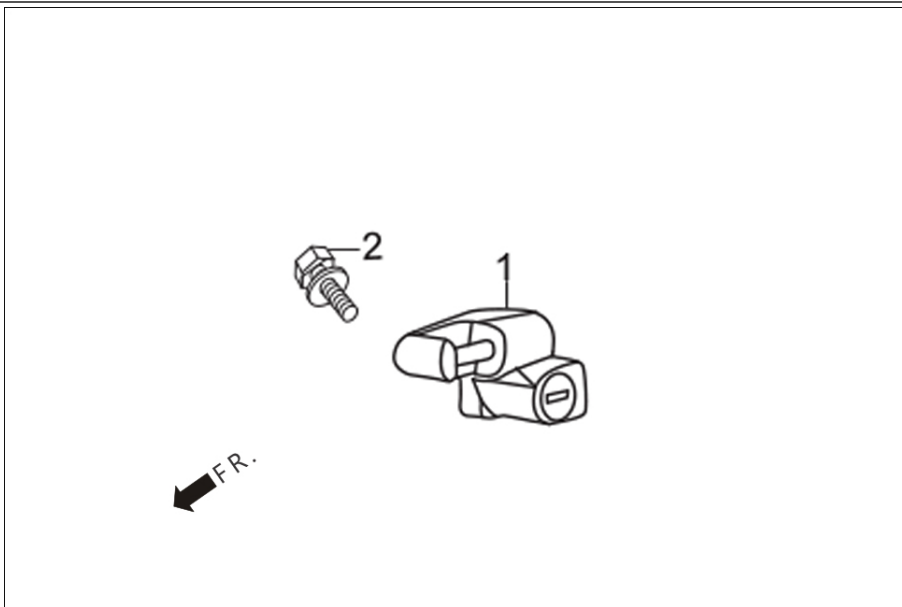
Service Item		F.R.T.	Group Number: F-20 Model :: Hunk (Feb, 2017)			
Ref No.	Part Number	Description	Req.			
* CUSHION ASSY., REAR (ONE OR ALL)		0.2 --	2	51488-KTN-701	COLLAR, RUBBER BUSH (UNDER)	2
* DAMPER COMP., REAR (ADD 0.2 FOR EACH)		0.4 --	2	52400-AAK-100	CUSHION ASSY RR	2
			2	52486-KTN-701	COLLAR, RUBBER BUSH (UPPER)	2
			4	52489-399-600	BUSH ,RUBBER (UPPER)	4
			2	90551-178-000	WASHER,SPL., 10MM	2
			2	94021-10000-0S	NUT, HEX., CAP, 10MM	2
			2	94101-12800	WASHER,PLAIN ,12 MM	2
			2	95801-10035-00	BOLT, FLANGE, 10X35	2
			1	94002-10000-0S	NUT, HEX, 10MM	1

F-21
REAR FENDER



Service Item	F.R.T.	Group Number: F-21 Model :: Hunk (Feb, 2017)			
		Ref No.	Part Number	Description	Req.
		1	33741-KST-920	REFLEX REFLECTOR	1
		2	47117-196-000	RUBBER, STOPPER	2
		3	50186-KVN-900	STAY, RR WINKER	1
		4	80100-KVN-900	FENDER, COMP., REAR	1
		5	80102-KVN-900	COVER, TOOL BOOX	1
		6	80111-KVN-900	COLLAR, RR. FENDER	6
		7	80112-KVN-900	RUBBER, RR FENDER	6
		8	84701-KVN-900	BRACKET, RR. NO. PLATE	1
		9	88150-KVN-900	RR ., FENDER COVER	1
		10	90101-087-720	SCREW, HEAD LIGHT SET	2
		11	90103-KVN-900	SCREW, PAN 5 X 13.5	1
		12	90320-GC3-000	NUT, SPRING, M5	4
		13	93903-34210	SCREW TAPPING 4X10	1
		14	93903-34410	SCREW, TAPPING, 4 X 16.	1
		15	93903-35280	SCREW, TAPPING, 5 X 12	2
		16	94002-06000-0S	NUT, HEX 6MM	1
		17	94050-06000	NUT, FLANGE, 6 MM	3
		18	94591-27000	CLIP 2 X 70	1
		19	95701-06012-07	BOLT, FLANGE, 6X12	2
		20	95701-06020-07	BOLT, FLANGE, 6 X 20	6

F-21A
 HOLDER ASSY.(OPTIONAL)

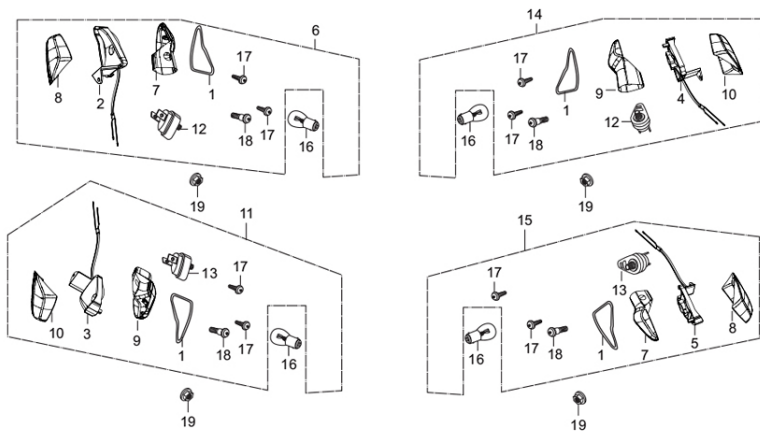


Service Item	F.R.T.
* COVER, TOOL BOX	0.5
* FENDER COMP., REAR	0.6

Group Number: F-21A Model :: Hunk (Feb, 2017)

Ref No.	Part Number	Description	Req.
1	50720-AAB-H61	HOLDER ASSY HELMET	1
2	90107-428-000	BOLT,B SPECIAL,6 MM	1

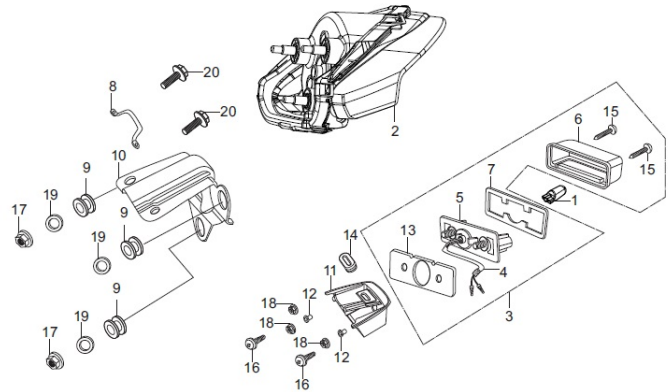
F-22
WINKER



Service Item	F.R.T.	Group Number: F-22 Model :: Hunk (Feb, 2017)			
		Ref No.	Part Number	Description	Req.
* WINKER ASSY., R/L FR (ADD 0.1 FOR EACH.)	0.2 --	1	33307-KVN-901	PACKING LENS	4
(INC. RELATIVE PART)	--	2	3331A-AAK-201	REFLECTOR COMP., WINKER RFR.,	2
* WINKER ASSY., R/L RR. (ADD 0.1 FOR EACH.)	0.3 --	3	3331B-AAK-201	REFLECTOR COMP., WINKER LFR.,	2
(INC. RELATIVE PART)	--	4	3331C-AAK-201	REFLECTOR COMP., WINKER RRR.,	2
(EXC. RELATED PARTS BELOW)	--	5	3331D-AAK-201	REFLECTOR COMP., WINKER LRR.,	2
* BULB, WINKER (WHEN SERVICING COMP., UNIT, F.R.T. IS 0.2)	0.1 -- --	6	3340B-AAK-201	WINKER, ASSY. R. FR. (W/O BULB)	1
		7	33401-AAB-401	BASE WINKER A	2
		8	33402-AAB-401	LENS WINKER A	2
		9	33451-AAB-401	BASE WINKER B	2
		10	33452-AAB-401	LENS WINKER B	1
		11	3345B-AAK-201	WINKER, ASSY., L FR. (W/O BULB)	1
		12	33605-KVN-901	STAY COMP., WINKER A	2
		13	33606-KVN-901	STAY, COMP., WINKER B	2
		14	3360B-AAK-201	WINKER, ASSY. R. RR (W/O BULB)	1
		15	3365B-AAK-201	WINKER ASSY., L RR. (W/O BULB)	1
		16	34908-AAB-401	BULB (12V10W) AMBER E MARK	4
		17	90104-KVN-900	SCREW , TAPPING M3X15	8
		18	90380-MB2-000	SCREW, SPECIAL, 6 X 8	4
		19	94050-10000	NUT, FLANGE, 10MM	4

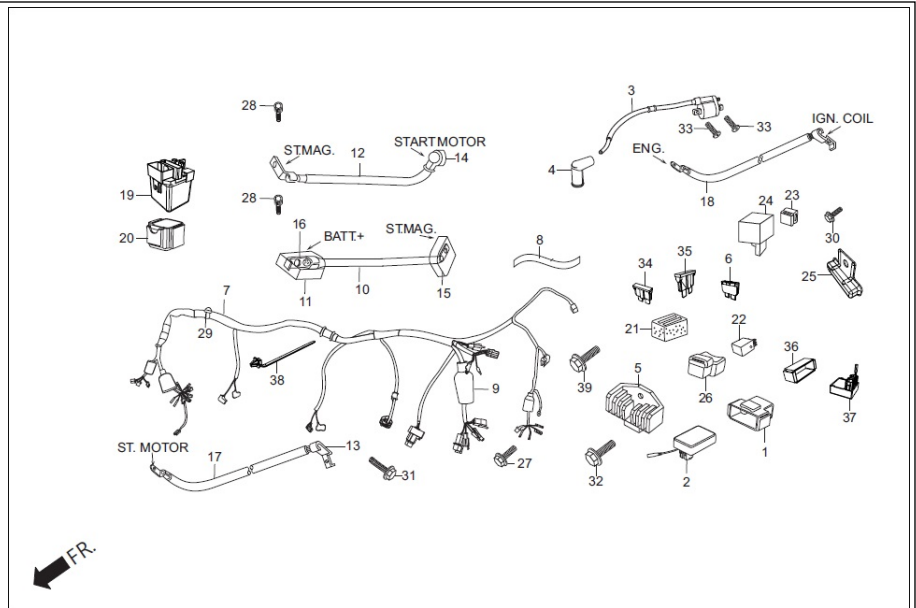
F-23
TAIL LIGHT

← FR.



Service Item	F.R.T.	Group Number: F-23 Model :: Hunk (Feb, 2017)			
		Ref No.	Part Number	Description	Req.
		1	34351-AAB-401	BULB (12VW5W) E MARK	1
		2	33701-AAK-201	UNIT TAIL LIGHT	1
		3	3372B-AAG-30099	LIGHT ASSY LICENSE	1
		4	33721-KVE-900	SOCKET, COMP	1
		5	33722-KVE-900	BASE COMP.	1
		6	33723-KVE-900H	COVER COMP.	1
		7	33729-MCZ-003	PACKING, LENS	1
		8	50192-KVN-900	BAR, SEAT STOPPER	1
		9	77205-KVN-900	RUBBER, TAIL LIGHT MOUNT	3
		10	77235-KVN-900	STAY, TAIL LIGHT	1
		11	80201-KVN-900	BASE, LICENSE LIGHT	1
		12	80202-KVE-900	COLLAR LICENSE LIGHT	2
		13	80203-KVE-900	RUBBER LICENSE LIGHT	1
		14	83601-KVN-900	GROMMET RR. FENDER COVER	1
		15	93901-24480	SCREW, TAPPING, 4 X 16	2
		16	93903-34410	SCREW, TAPPING, 4 X 16.	2
		17	94050-05000	NUT FLANGE, 5 MM	2
		18	94050-06000	NUT, FLANGE, 6 MM	3
		19	94103-06800	WASHER, PLAIN 6 MM	3
		20	95701-06016-07	BOLT, FLANGE, 6 X 16	2

F-24
WIRE HARNESS/START CABLES



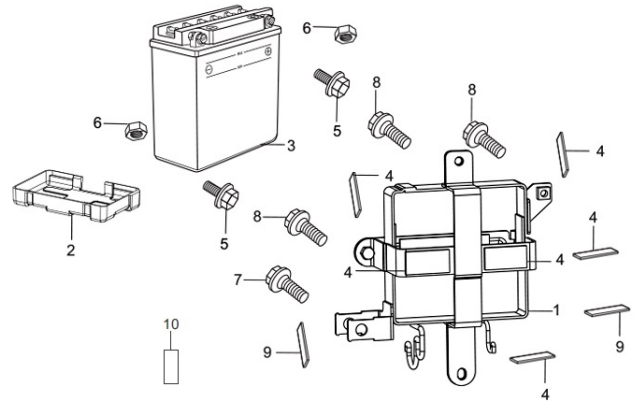
Service Item	F.R.T.
* UNIT COMP., CDI	0.4
* COIL ASSY., IGNITION	--
* REG. REC. COMP	0.6
* HARNESS, WIRE	1.0

Group Number: F-24 Model :: Hunk (Feb, 2017)				
Ref No.	Part Number	Description	Req.	
1	30401-KVE-901	CUSHION, C.D.I. UNIT	1	
2	30410-AAB-101	UNIT COMP. DIGITAL DC-CDI	1	
3	30500-AAB-H61	COIL ASSY IGN	1	
4	30700-KTC-A21	CAP ASSY., NOISE SUPPRESSOR	1	
5	31600-KWS-901	REG RECT COMP	1	
6	98200-32000	BLADE, FUSE, 20A	1	
7	32100-AAK-600	HARNESS WIRE	1	
8	32101-KVN-970	SUB HARNESS FR.,	1	
9	32108-344-820	COVER, CONNECTOR	1	
10	32401-KVN-970	CABLE,ST-MAG BATT	1	
11	32406-KVN-970	COVER ST.MAG.TERMINAL A	1	
12	32410-KVN-970	CABLE,START MOTOR	1	
13	32413-KRY-970	TERMINAL, BAT CABLE	1	
14	32411-253-000	COVER, STARTING MOTOR	1	
15	32414-KVN-970	COVER,BAT TERMINAL	1	
16	32418-KRY-970	TERMINAL, BAT	1	
17	32601-KVN-970	CABLE,BAT EARTH	1	
18	32602-KVN-900	CABLE, ENG. EARTH	1	
19	35850-AAM-H01	SW ASSY. START MAG	1	
	35850-KR3-870	SWITCH ASSY., START MAG.	1	
20	35856-KBG-007	RUBBER,SHOCK	1	
21	38201-KVN-910	RUBBER, SPARE FUSE SET	1	
22	38301-KVN-971	RELAY COMP.WINKER	1	
23	38306-GE7-000	SUSPENSION, WINKER RELAY	1	
24	38502-KSP-910	RELAY COMP., POWER (MICRO ISO 5P)	1	
25	35400-KRY-970	RESISTOR COMP.	1	
26	38506-KSP-910	SUS., POWER RELAY	1	
27	90110-KVE-900	BOLT SOCKET 6X8	1	

28	90111-MR5-000	BOLT, SOCKET, 5X9	2
29	91551-AAB-100	BAND, CLAMP	1
30	95701-06012-00	BOLT, FLANGE, 6X12	1
31	95701-06014-00	BOLT, FLANGE, 6 X 14	1
32	95701-06016-00	BOLT, FLANGE, 6X16	1
33	96001-06020-00	BOLT, FLANGE, SH. 6 X 20	2
34	98200-31000	BLADE, FUSE 10A	1
35	98200-31500	BLADE, FUSE, 15A	1
36	30401-AAL-00099	CUSHION CDI UNIT	1
37	30460-AAM-000	CONTROLLER UNIT COMP I3S	1
38	91547-SF4-003	BAND,HARN	1
39	96001-06016-00	BOLT, FLANGE SH. 6 X 16	1

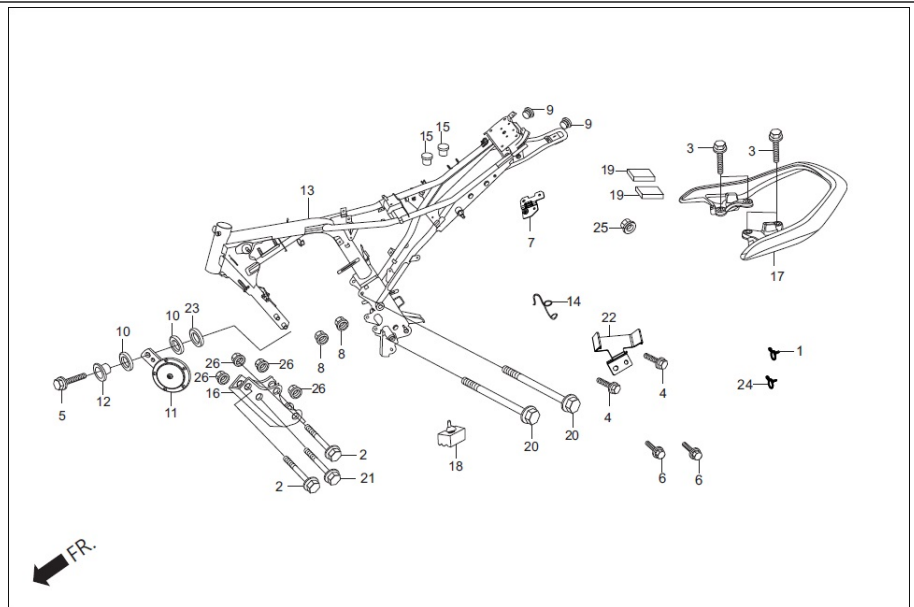
F-24A
BATTERY ASSY.

FR.



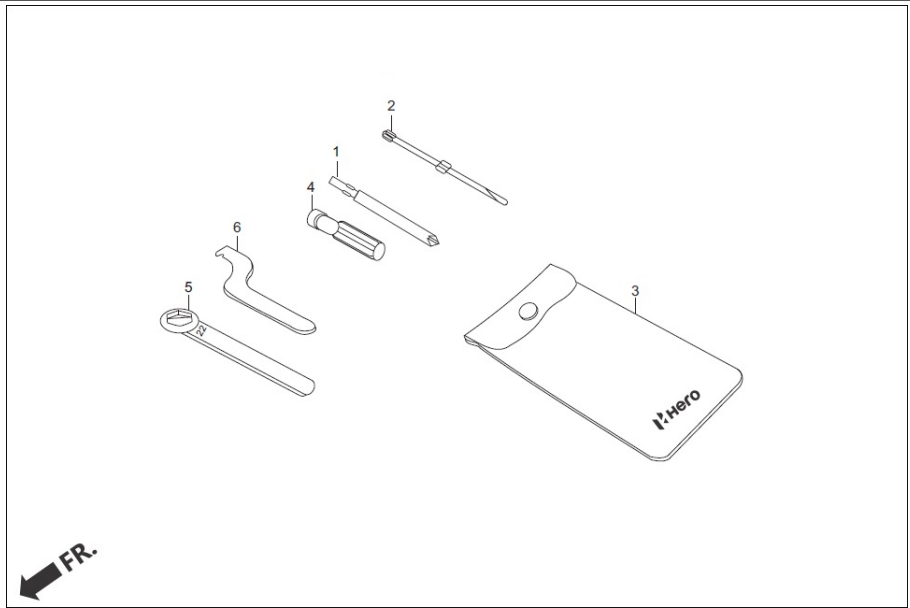
Service Item	F.R.T.	Group Number: F-24A Model :: Hunk (Feb, 2017)			
* BATTERY	0.2	Ref No.	Part Number	Description	Req.
		1	17232-KVN-970	CASE COMP,BATTERY	1
		2	17250-KVN-970H	TRAY,BATTERY	1
		3	31500-KRP-801	BATTERY ASSY	1
		4	50383-KRC-900	RUBBER , BATTERY	6
		5	90122-KVT-941	BOLT BATTERY TERMINAL	1
		6	90306-KVT-941	NUT BATTERY TERMINAL	2
		7	95701-06008-00	BOLT, FLANGE, 6X8	1
		8	95701-06012-00	BOLT, FLANGE, 6X12	3
		9	83407-KCC-902	CUSHION, FR. VISOR	2
		10	94021-06090-0S	NUT, HEX CAP 6MM	1

F-25
FRAME BODY/ASV/GRIP REAR



Service Item	F.R.T.	Group Number: F-25 Model :: Hunk (Feb, 2017)			
		Ref No.	Part Number	Description	Req.
* PLATE, FR. ENGINE HANGER	0.2	1	15772-KTN-900	CLIP BREATHER TUBE	1
* BODY COMP., FRAME	*5.5	2	95801-08090-00	BOLT FLANGE 8X90	3
* VALVE ASSY., AIR SUCTION	0.4	3	95701-08022-08	BOLT, FLANGE, 8 X 22	4
* HORN COMP.,	0.1	4	95701-06010-00	BOLT, FLANGE, 6 X 10	2
		5	95701-06020-07	BOLT, FLANGE, 6 X 20	1
		6	95701-06012-07	BOLT, FLANGE, 6X12	2
		7	51104-AAK-200	STAY, HELMET HOLDER	1
		8	94050-10000	NUT, FLANGE, 10MM	2
		9	19902-865-780	GROMMET, A SIDE COVER	2
		10	33714-KL3-620	RUBBER, TAIL LIGHT	2
		11	38110-AAK-201	HORN, COMP.,	1
		12	38117-KFE-701	COLLAR, HORN SET	1
		13	50100-AAK-600	FRAME, BODY COMP	1
		14	50296-KVE-900	GUIDE DRAIN HOSE	1
		15	50328-KVN-900	RUBBER, TANK MTG.	2
		16	50351-KVN-900	PLATE FRONT ENG HANGER	1
		17	50400-KVN-870	GRIP REAR	1
		18	50505-KCC-900	STOPPER RUBBER, A STAND	1
		19	77231-KVE-900	CUSHION COWL CENTER A.	2
		20	90019-399-010	BOLT, FLANGE, 10 X 110	2
		21	95801-08095-00	BOLT, FLANGE, 8 X 95	1
		22	50220-AAK-600	BRKT I3S CONTROLLER	1
		23	90525-428-900	WASHER, PLANE 6 MM	1
		24	90601-KAF-003	CLIP, SW. COVER	1
		25	94050-06000	NUT, FLANGE, 6 MM	1
		26	94050-08000	NUT, FLANGE, 8MM	4

**F-26
TOOLS**



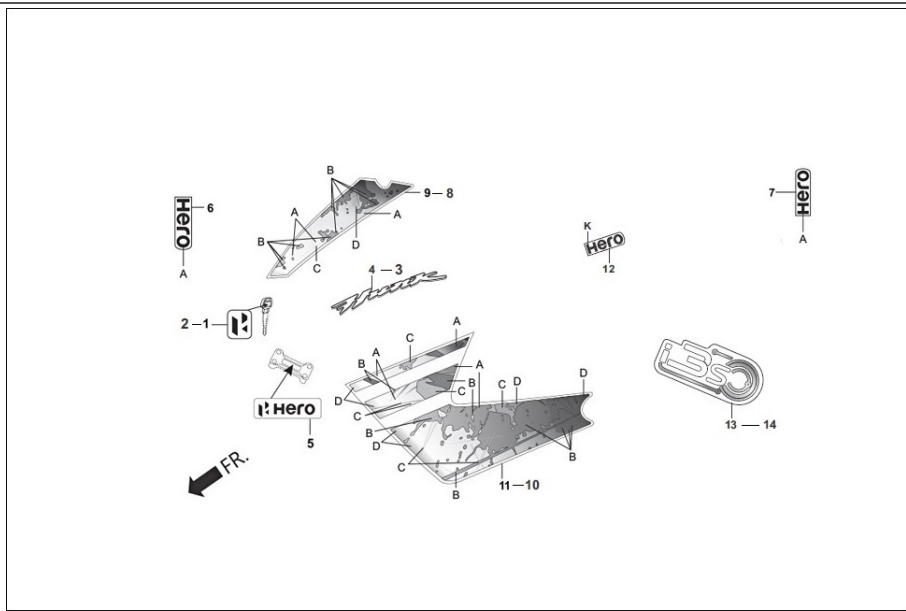
Service Item

F.R.T.

Group Number: F-26 Model :: Hunk (Feb, 2017)

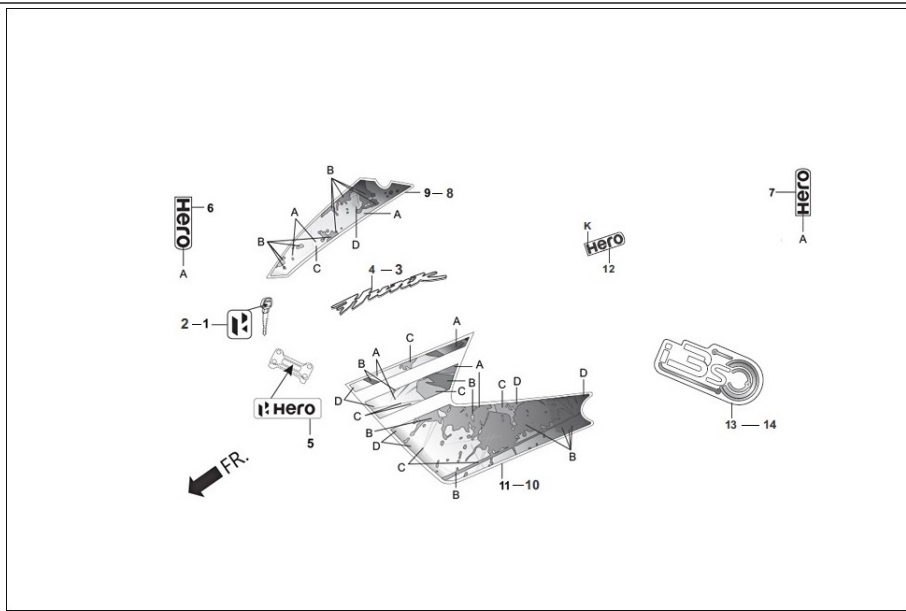
Ref No.	Part Number	Description	Req.
1	89102-AAC-000	NO.3 CROSS POINT SCREW DRIVER	1
2	89102-538-000	SCREW, DRIVER PLUS/MINUS	1
3	89216-AAD-H00	TOOL BAG	1
4	89103-538-000	GRIP, SCREW DRIVER	1
5	89215-AAC-000	BOX WRENCH P16X14	1
6	99007-AAK-100	PIN, SPANNER	1

F-27
STRIPE/ MARKS



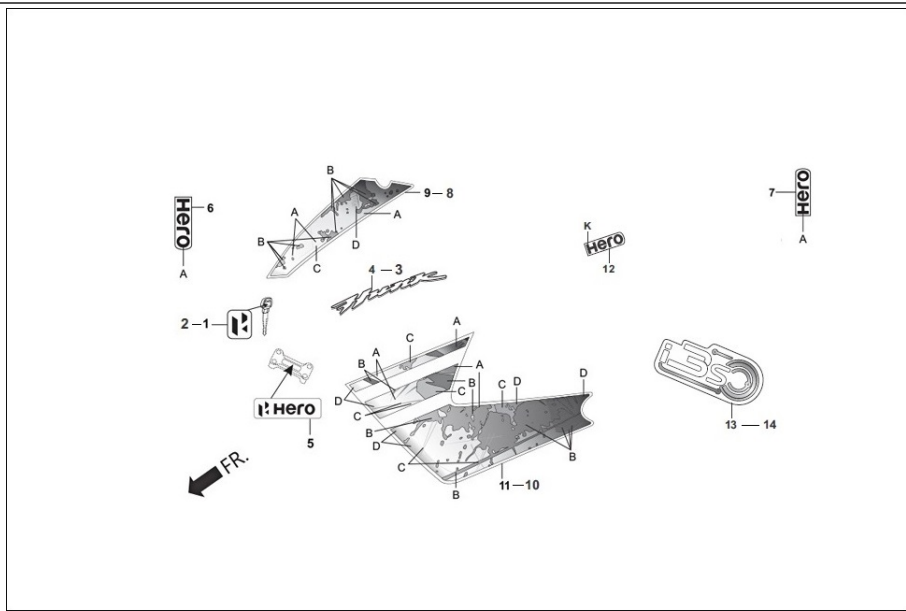
Service Item	F.R.T.	Group Number: F-27 Model :: Hunk (Feb, 2017)		
Ref No.	Part Number	Description	Req.	
1	35113-KZJ-H00	EMBLEM ICON	1	

F-27
STRIPE/ MARKS



Service Item	F.R.T.	Group Number: F-27 Model :: Hunk (Feb, 2017)			
		Ref No.	Part Number	Description	Req.
		2	35114-KZJ-H00	EMBLEM,WORD MARK	1

F-27
STRIPE/ MARKS

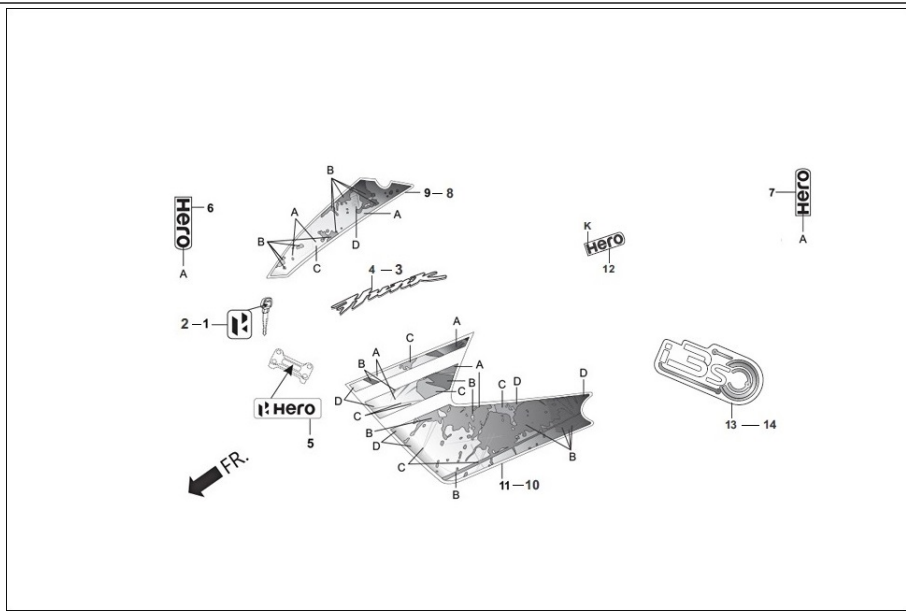


Service Item	F.R.T.	Group Number: F-27 Model :: Hunk (Feb, 2017)			
		Ref No.	Part Number	Description	Req.
		3	50201-KVN-900	EMBLEM, R SHROUD	1

SPECIFIED COLOUR CHART FOR STRIPS, THRILLER MARK R. SHROUD

SPECIFIED COLOUR TYPE	A	B	C	MAIN BODY COLOUR
1	BRUSHED ALUMINIUM	PANTHER BLACK ME. (NH-B08M)	HEAVY GRAY ME.	PANTHER BLACK ME. (NH-B08M)
4	BRUSHED ALUMINIUM	MAT BLACK NH - 105	HEAVY GRAY ME.	MAT BLACK (NH-105)
5	BRUSHED ALUMINIUM	CANDY BLAZING RED (R-195C)	BLACK NH - 1	CANDY BLAZING RED (R-195C)
4	BRUSHED ALUMINIUM	PEARL HARVEST GREEN (GY-136P)	BLACK NH - 1	PEARL HARVEST GREEN (GY-136P)
7	BRUSHED ALUMINIUM	SPORTS RED (R-321)	BLACK NH - 1	SPORTS RED (R-321)
8	BRUSHED ALUMINIUM	PEARL FADELESS WHITE (NH-341P)	BLACK NH - 1	PEARL FADELESS WHITE (NH-341P)

F-27
STRIPE/ MARKS

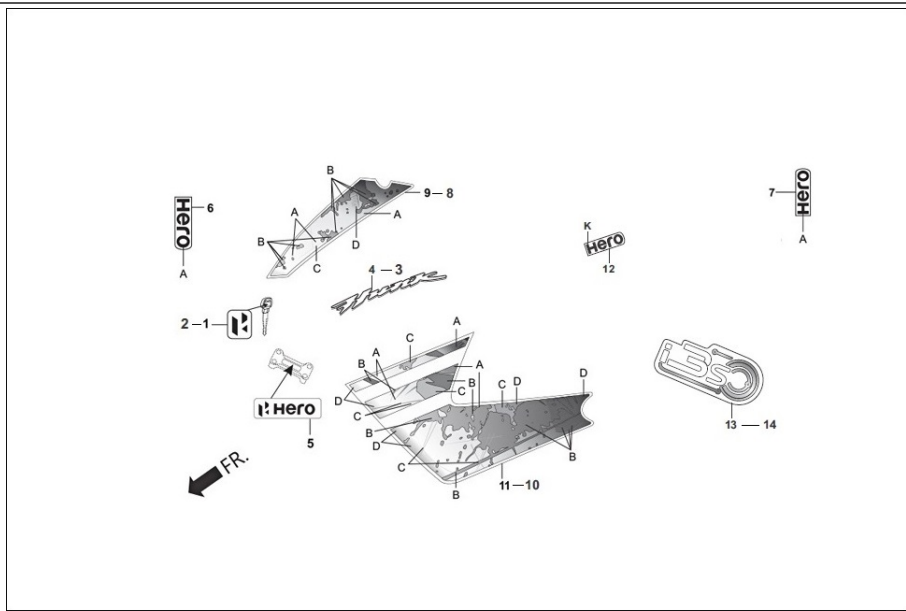


Service Item	F.R.T.	Group Number: F-27 Model :: Hunk (Feb, 2017)		
	Ref No.	Part Number	Description	Req.
	4	50301-KVN-900	EMBLEM, L SHROUD	1

SPECIFIED COLOUR CHART FOR STRIPS, THRILLER MARK L. SHROUD

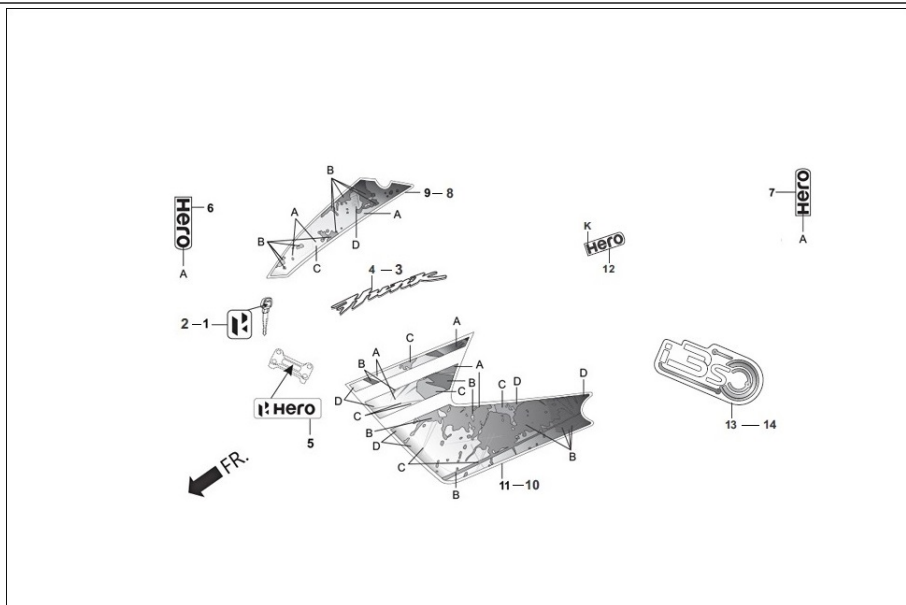
SPECIFIED COLOUR TYPE	A	B	C	MAIN BODY COLOUR
1	BRUSHED ALUMINIUM	PANTHER BLACK ME. (NH-B08M)	HEAVY GRAY ME.	PANTHER BLACK ME. (NH-B08M)
4	BRUSHED ALUMINIUM	MAT BLACK NH - 105	HEAVY GRAY ME.	MAT BLACK (NH-105)
5	BRUSHED ALUMINIUM	CANDY BLAZING RED (R-195C)	BLACK NH - 1	CANDY BLAZING RED (R-195C)
4	BRUSHED ALUMINIUM	PEARL HARVEST GREEN (GY-136P)	BLACK NH - 1	PEARL HARVEST GREEN (GY-136P)
7	BRUSHED ALUMINIUM	SPORTS RED (R-321)	BLACK NH - 1	SPORTS RED (R-321)
8	BRUSHED ALUMINIUM	PEARL FADELESS WHITE (NH-341P)	BLACK NH - 1	PEARL FADELESS WHITE (NH-341P)

F-27
STRIPE/ MARKS



Service Item	F.R.T.	Group Number: F-27 Model :: Hunk (Feb, 2017)			
		Ref No.	Part Number	Description	Req.
		5	53132-KZN-900	EMBLEM HANDLE RR COVER	1

F-27
STRIPE/ MARKS

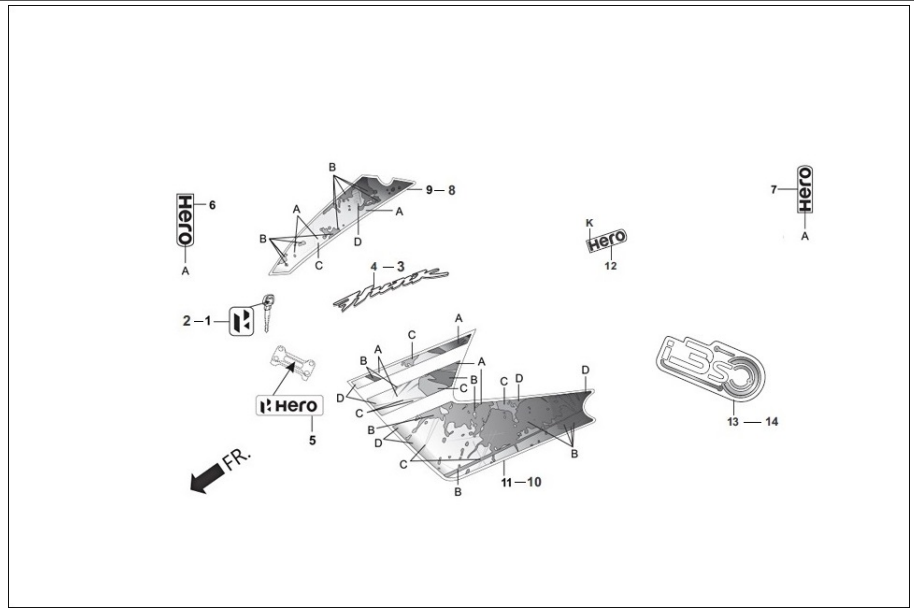


Service Item	F.R.T.	Group Number: F-27 Model :: Hunk (Feb, 2017)			
		Ref No.	Part Number	Description	Req.
		6	64101-AAK-100	MARK, WIND SCREEN	1

SPECIFIED COLOUR CHART FOR STRIPE, MARK WIND SCREEN

SPECIFIED COLOUR TYPE	A	MAIN BODY COLOUR						
1	NH-259M SEED SILVER METALLIC	<table border="1" style="width: 100%; border-collapse: collapse;"> <tr> <td style="text-align: center;">PANTHER BLACK ME. (NH-B08M)</td> </tr> <tr> <td style="text-align: center;">MAT BLACK (NH-105)</td> </tr> <tr> <td style="text-align: center;">CANDY BLAZING RED (R-195C)</td> </tr> <tr> <td style="text-align: center;">PEARL HARVEST GREEN (GY-136P)</td> </tr> <tr> <td style="text-align: center;">SPORTS RED (R-321)</td> </tr> <tr> <td style="text-align: center;">PEARL FADELESS WHITE (NH-341P)</td> </tr> </table>	PANTHER BLACK ME. (NH-B08M)	MAT BLACK (NH-105)	CANDY BLAZING RED (R-195C)	PEARL HARVEST GREEN (GY-136P)	SPORTS RED (R-321)	PEARL FADELESS WHITE (NH-341P)
PANTHER BLACK ME. (NH-B08M)								
MAT BLACK (NH-105)								
CANDY BLAZING RED (R-195C)								
PEARL HARVEST GREEN (GY-136P)								
SPORTS RED (R-321)								
PEARL FADELESS WHITE (NH-341P)								

F-27
STRIPE/ MARKS

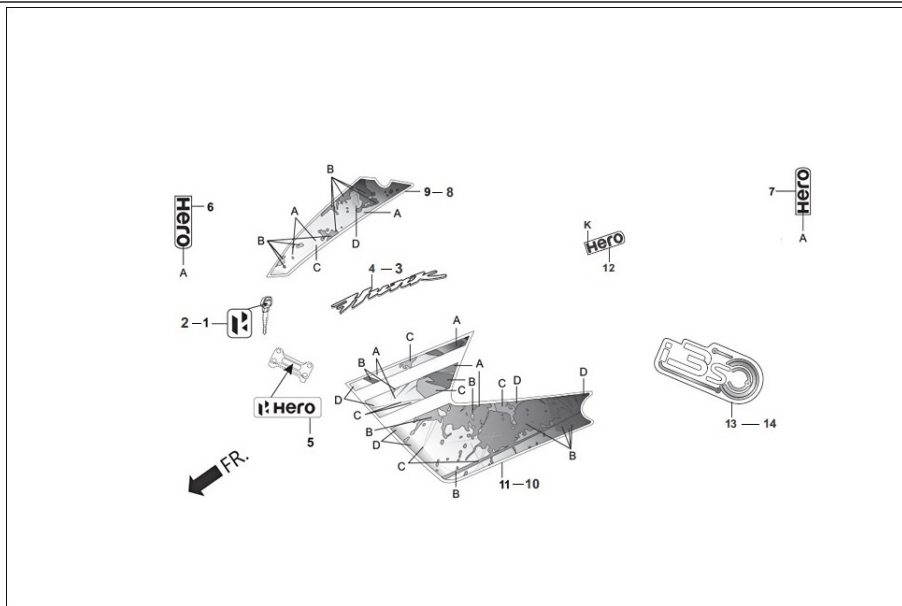


Service Item	F.R.T.	Group Number: F-27 Model :: Hunk (Feb, 2017)			
		Ref No.	Part Number	Description	Req.
		7	77238-AAK-100	MARK, CENTER RR. COWL	1

SPECIFIED COLOUR CHART FOR STRIPE, MARK CENTER RR. COWL

SPECIFIED COLOUR TYPE	A	MAIN BODY COLOUR						
1	NH-259M SEED SILVER METALLIC	<table border="1" style="width: 100%; border-collapse: collapse;"> <tr> <td style="padding: 2px;">PANTHER BLACK ME. (NH-B08M)</td> </tr> <tr> <td style="padding: 2px;">MAT BLACK (NH-105)</td> </tr> <tr> <td style="padding: 2px;">CANDY BLAZING RED (R-195C)</td> </tr> <tr> <td style="padding: 2px;">PEARL HARVEST GREEN (GY-136P)</td> </tr> <tr> <td style="padding: 2px;">SPORTS RED (R-321)</td> </tr> <tr> <td style="padding: 2px;">PEARL FADELESS WHITE (NH-341P)</td> </tr> </table>	PANTHER BLACK ME. (NH-B08M)	MAT BLACK (NH-105)	CANDY BLAZING RED (R-195C)	PEARL HARVEST GREEN (GY-136P)	SPORTS RED (R-321)	PEARL FADELESS WHITE (NH-341P)
PANTHER BLACK ME. (NH-B08M)								
MAT BLACK (NH-105)								
CANDY BLAZING RED (R-195C)								
PEARL HARVEST GREEN (GY-136P)								
SPORTS RED (R-321)								
PEARL FADELESS WHITE (NH-341P)								

F-27 STRIPE/MARKS



Service Item

F.R.T.

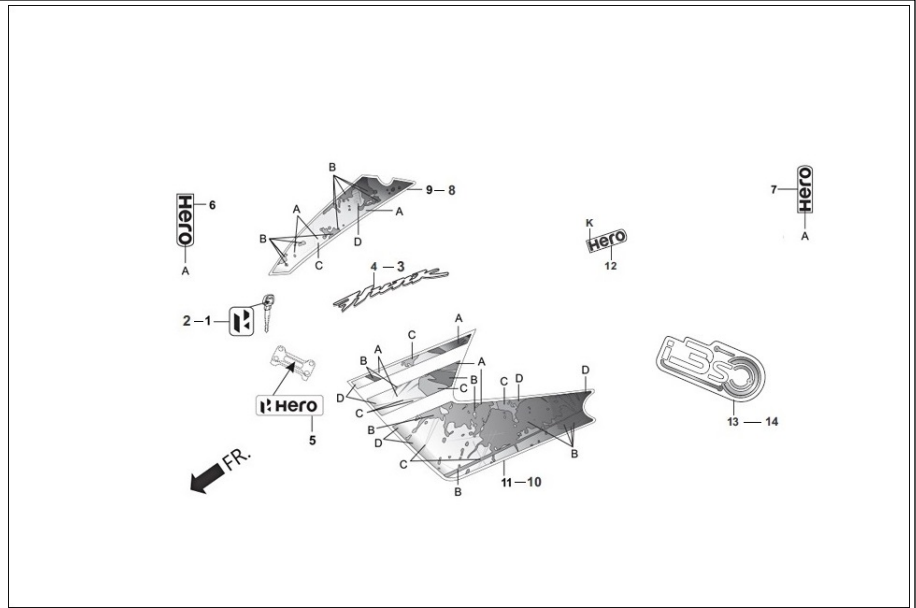
Group Number: F-27 Model :: Hunk (Feb, 2017)

Ref No.	Part Number	Description	Req.
8	86271-AAK-100R	STRIPE R COWL FR SIDE(TYPE-1)	1
	86271-AAK-100U	STRIPE R COWL FR SIDE(TYPE-4)	1
	86271-AAK-100V	STRIPE R COWL FR SIDE(TYPE-5)	1
	86271-AAK-100X	STRIPE R COWL FR SIDE(TYPE-7)	1
	86271-AAK-100Y	STRIPE R COWL FR SIDE(TYPE-8)	1
	86271-AAK-100Z	STRIPE R COWL FR SIDE(TYPE-9)	1

SPECIFIED COLOUR CHART FOR STRIPE, R. COWL FR. SIDE

SPECIFIED COLOUR TYPE	A	B	C	D	MAIN BODY COLOUR
1	RED-1	CLASSY MAROON	STRIKE RED	PANTHER BLACK ME.	PANTHER BLACK ME. (NH-B08M)
4	WINE RED YELLOW	PANTONE 731C	MID BROWN	MAT BLACK	MAT BLACK (NH-105)
5	WHITE - 2	PURE RED	DARK RED	CANDY BLAZING RED	CANDY BLAZING RED (R-195C)
7	YELLOW GREEN ME.	BLACK SHINE ME.	METEO GOLD ME.	PEARL HARVEST GREEN	PEARL HARVEST GREEN (GY-136P)
8	BLACK-NH-1	MAGNA RED	DARK RED	TRANSPARENT	SPORTS RED (R-321)
9	DARK GREY	SILVER	IRON NAIL SILVER	TRANSPARENT	PEARL FADELESS WHITE (NH-341P)

F-27 STRIPE/ MARKS



Service Item

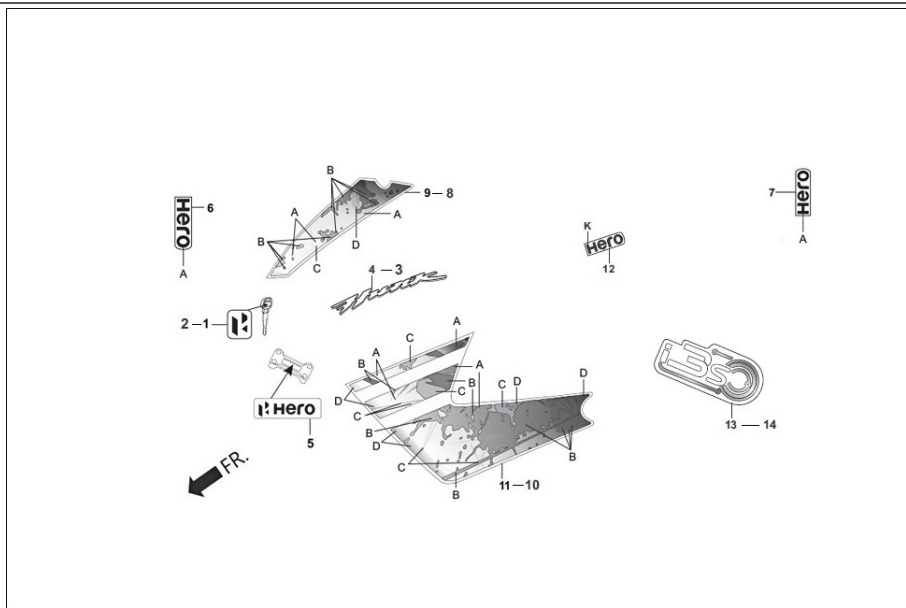
F.R.T.

Group Number: F-27 Model :: Hunk (Feb, 2017)

Ref No.	Part Number	Description	Req.
9	86272-AAK-100R	STRIPE L COWL FR SIDE(TYPE-1)	1
	86272-AAK-100U	STRIPE L COWL FR SIDE(TYPE-4)	1
	86272-AAK-100V	STRIPE L COWL FR SIDE(TYPE-5)	1
	86272-AAK-100X	STRIPE L COWL FR SIDE(TYPE-7)	1
	86272-AAK-100Y	STRIPE L COWL FR SIDE(TYPE-8)	1
	86272-AAK-100Z	STRIPE L COWL FR SIDE(TYPE-9)	1

SPECIFIED COLOUR CHART FOR STRIPE, L. COWL FR. SIDE					
SPECIFIED COLOUR TYPE	A	B	C	D	MAIN BODY COLOUR
1	RED-1	CLASSY MAROON	STRIKE RED	PANTHER BLACK ME.	PANTHER BLACK ME. (NH-B08M)
4	WINE RED YELLOW	PANTONE 731C	MID BROWN	MAT BLACK	MAT BLACK (NH-105)
5	WHITE - 2	PURE RED	DARK RED	CANDY BLAZING RED	CANDY BLAZING RED (R-195C)
7	YELLOW GREEN ME.	BLACK SHINE ME.	METEO GOLD ME.	PEARL HARVEST GREEN	PEARL HARVEST GREEN (GY-136P)
8	BLACK-NH-1	MAGNA RED	DARK RED	TRANSPARENT	SPORTS RED (R-321)
9	DARK GREY	SILVER	IRON NAIL SILVER	TRANSPARENT	PEARL FADELESS WHITE (NH-341P)

F-27 STRIPE/MARKS



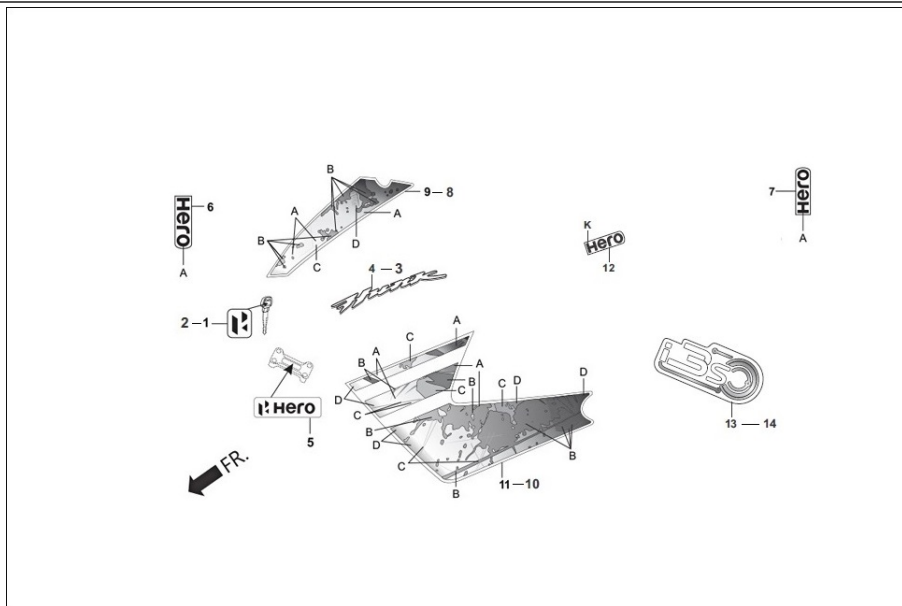
Service Item	F.R.T.	Group Number: F-27 Model :: Hunk (Feb, 2017)
---------------------	---------------	---

Ref No.	Part Number	Description	Req.
10	86501-AAK-100R	STRIPE R SHROUD(TYPE-1)	1
	86501-AAK-100U	STRIPE R SHROUD(TYPE-4)	1
	86501-AAK-100V	STRIPE R SHROUD(TYPE-5)	1
	86501-AAK-100X	STRIPE R SHROUD(TYPE-7)	1
	86501-AAK-100Y	STRIPE R SHROUD(TYPE-8)	1
	86501-AAK-100Z	STRIPE R SHROUD(TYPE-9)	1

SPECIFIED COLOUR CHART FOR MARK, RIGHT SHROUD

SPECIFIED COLOUR TYPE	A	B	C	D	MAIN BODY COLOUR
1	RED-1	CLASSY MAROON	STRIKE RED	PANTHER BLACK ME.	PANTHER BLACK ME. (NH-B08M)
4	WINE RED YELLOW	PANTONE 731C	MID BROWN	MAT BLACK	MAT BLACK (NH-105)
5	WHITE - 2	PURE RED	DARK RED	CANDY BLAZING RED	CANDY BLAZING RED (R-195C)
7	YELLOW GREEN ME.	BLACK SHINE ME.	METEO GOLD ME.	PEARL HARVEST GREEN	PEARL HARVEST GREEN (GY-136P)
8	BLACK-NH-1	MAGNA RED	DARK RED	TRANSPARENT	SPORTS RED (R-321)
9	DARK GREY	SILVER	IRON NAIL SILVER	TRANSPARENT	PEARL FADELESS WHITE (NH-341P)

F-27 STRIPE/MARKS



Service Item

F.R.T.

Group Number: F-27 Model :: Hunk (Feb, 2017)

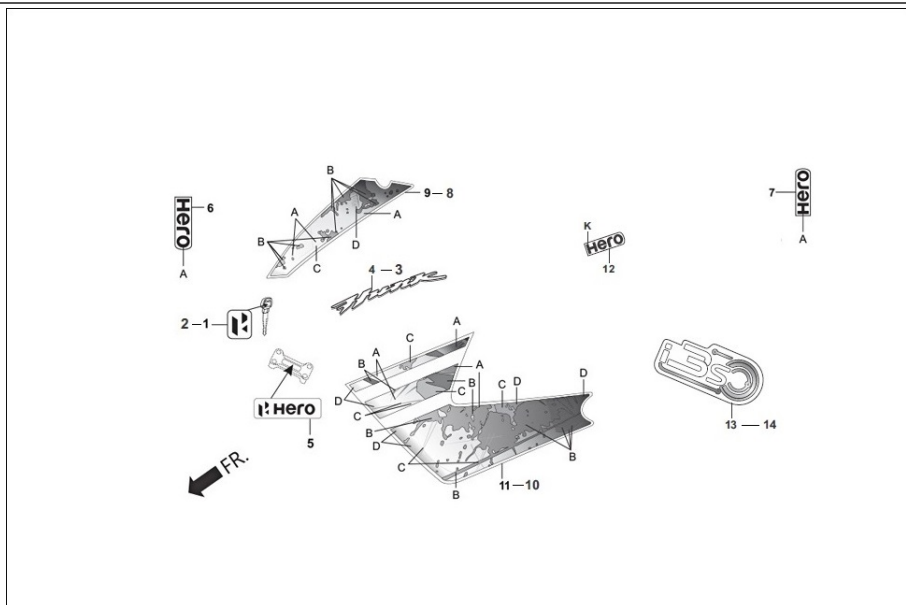
Ref No.	Part Number	Description	Req.
11	86502-AAK-100R	STRIPE L SHROUD(TYPE-1)	1
	86502-AAK-100U	STRIPE L SHROUD(TYPE-4)	1
	86502-AAK-100V	STRIPE L SHROUD(TYPE-5)	1
	86502-AAK-100X	STRIPE L SHROUD(TYPE-7)	1
	86502-AAK-100Y	STRIPE L SHROUD(TYPE-8)	1
	86502-AAK-100Z	STRIPE L SHROUD(TYPE-9)	1

SPECIFIED COLOUR CHART FOR MARK, LEFT SHROUD

SPECIFIED COLOUR TYPE	A	B	C	D	MAIN BODY COLOUR
1	RED-1	CLASSY MAROON	STRIKE RED	PANTHER BLACK ME.	PANTHER BLACK ME. (NH-B08M)
4	WINE RED YELLOW	PANTONE 731C	MID BROWN	MAT BLACK	MAT BLACK (NH-105)
5	WHITE - 2	PURE RED	DARK RED	CANDY BLAZING RED	CANDY BLAZING RED (R-195C)
7	YELLOW GREEN ME.	BLACK SHINE ME.	METEO GOLD ME.	PEARL HARVEST GREEN	PEARL HARVEST GREEN (GY-136P)
8	BLACK-NH-1	MAGNA RED	DARK RED	TRANSPARENT	SPORTS RED (R-321)
9	DARK GREY	SILVER	IRON NAIL SILVER	TRANSPARENT	PEARL FADELESS WHITE (NH-341P)

F-27

STRIPE/ MARKS



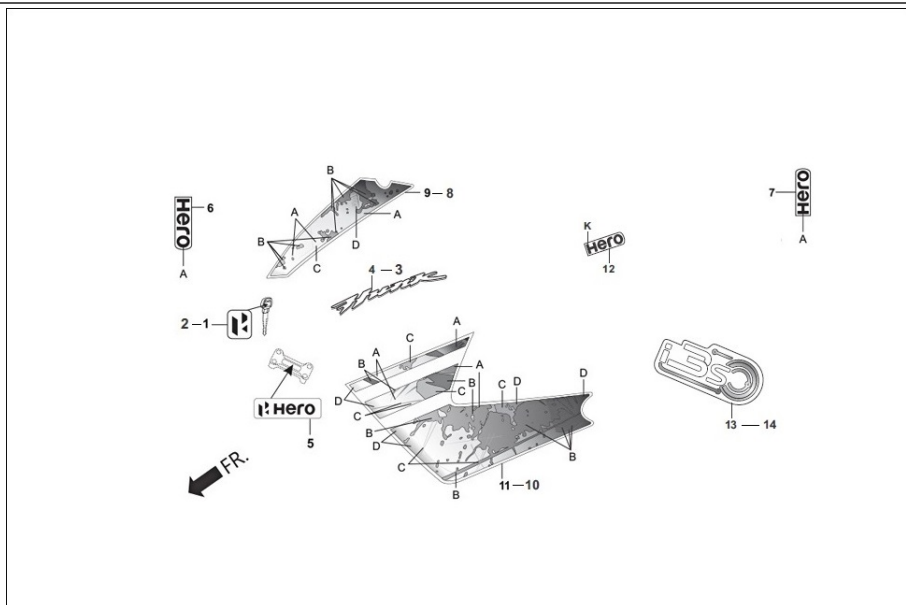
Service Item	F.R.T.	Group Number: F-27 Model :: Hunk (Feb, 2017)
---------------------	---------------	---

Ref No.	Part Number	Description	Req.
12	86771-AAK-H70ZA	MARK REAR COWL (TYPE-1)	1
	86771-AAK-H70ZB	MARK REAR COWL (TYPE-2)	1

SPECIFIED COLOUR CHART FOR MARK RIGHT RR. COWL

SPECIFIED COLOUR TYPE	A	D	E	MAIN BODY COLOUR
1	RED-1	FORCE SILVER ME	PANTHER BLACK ME.	PANTHER BLACK ME. (NH-B08M)
4	WINE RED YELLOW	FORCE SILVER ME	MAT BLACK	MAT BLACK (NH-105)
5	WHITE -2	WHITE -2	CANDY BLAZING RED	CANDY BLAZING RED (R-195C)
7	YELLOW GREEN ME.	FORCE SILVER ME	PEARL HARVEST GREEN	PEARL HARVEST GREEN (GY-136P)
8	BLACK-NH-1	BLACK-NH-1	TRANSPARENT	SPORTS RED (R-321)
9	DARK GREY	BLACK-NH-1	TRANSPARENT	PEARL FADELESS WHITE (NH-341P)

F-27
STRIPE/ MARKS

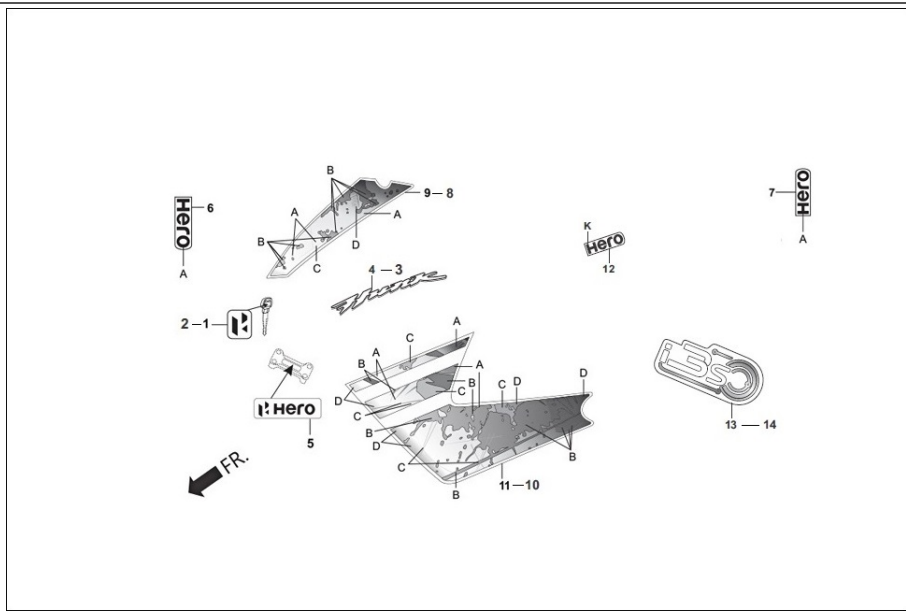


Service Item	F.R.T.	Group Number: F-27 Model :: Hunk (Feb, 2017)			
		Ref No.	Part Number	Description	Req.
		13	86833-AAK-600	MARK I3S RIGHT	1

SPECIFIED COLOUR CHART FOR MARK LEFT RR. COWL

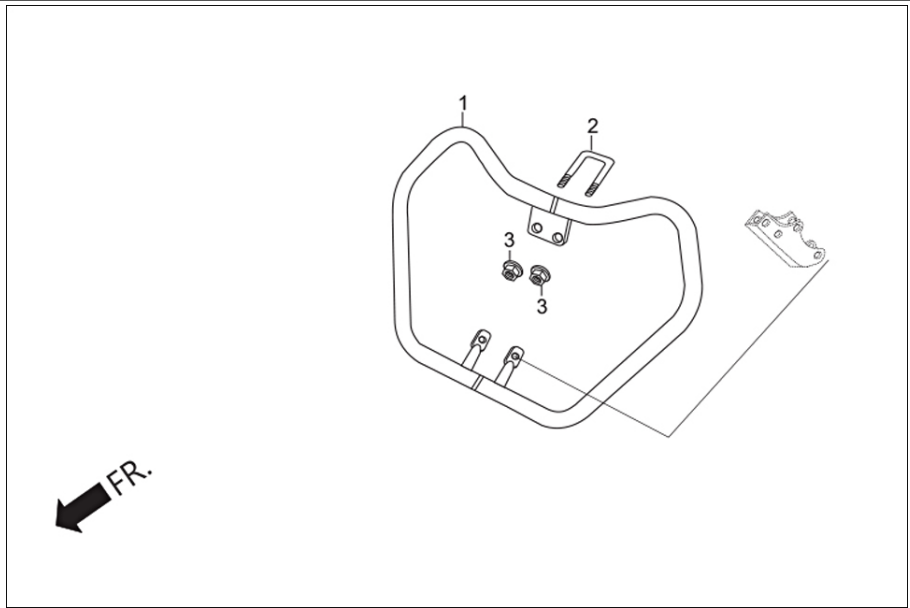
SPECIFIED COLOUR TYPE	A	D	E	MAIN BODY COLOUR
1	RED-1	FORCE SILVER ME	PANTHER BLACK ME.	PANTHER BLACK ME. (NH-B08M)
4	WINE RED YELLOW	FORCE SILVER ME	MAT BLACK	MAT BLACK (NH-105)
5	WHITE -2	WHITE -2	CANDY BLAZING RED	CANDY BLAZING RED (R-195C)
7	YELLOW GREEN ME.	FORCE SILVER ME	PEARL HARVEST GREEN	PEARL HARVEST GREEN (GY-136P)
8	BLACK-NH-1	BLACK-NH-1	TRANSPARENT	SPORTS RED (R-321)
9	DARK GREY	BLACK-NH-1	TRANSPARENT	PEARL FADELESS WHITE (NH-341P)

F-27
STRIPE/ MARKS



Service Item	F.R.T.	Group Number: F-27 Model :: Hunk (Feb, 2017)			
		Ref No.	Part Number	Description	Req.
		14	86834-AAK-600	MARK I3S LEFT	1

F-28
 GUARD FRONT (OPTIONAL)

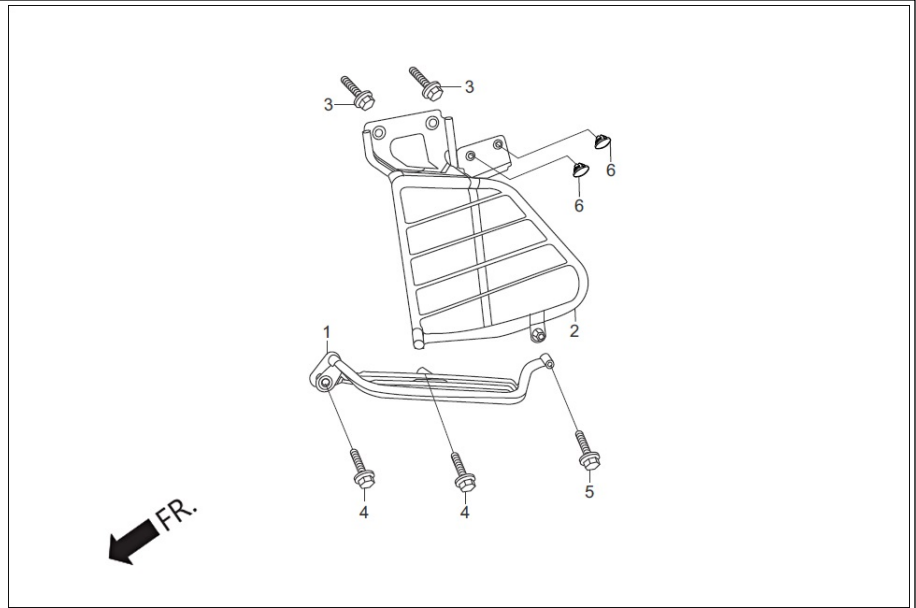


Service Item

F.R.T.

Group Number: F-28 Model :: Hunk (Feb, 2017)			
Ref No.	Part Number	Description	Req.
1	50803-KVE-900	GUARD, FRONT	1
2	50805-KVE-900	U-CLAMP	1
3	94050-08070	NUT, FLANGE, 8MM	2

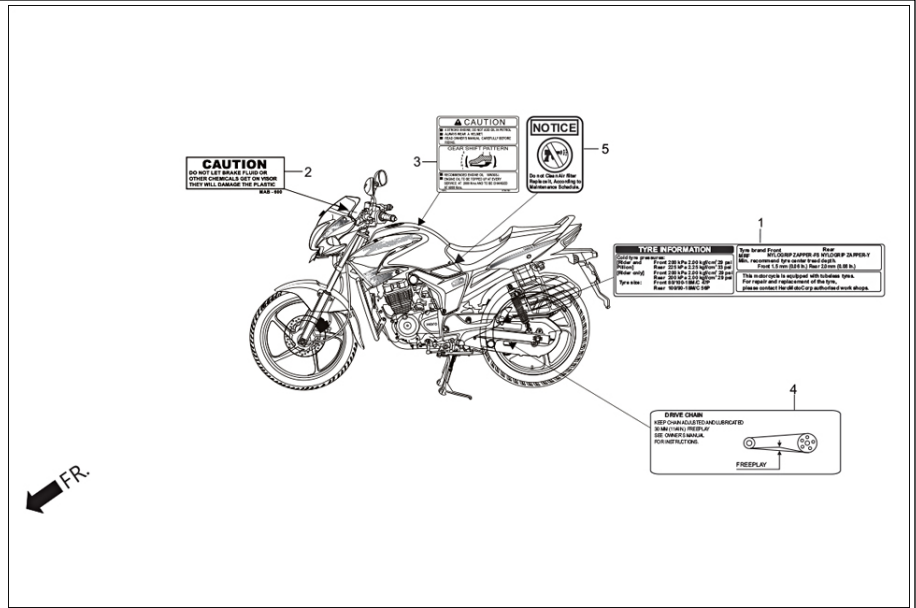
F-29
GUARD SARI (OPTIONAL)



Service Item	F.R.T.
* GUARD, SARI	0.3

Group Number: F-29 Model :: Hunk (Feb, 2017)			
Ref No.	Part Number	Description	Req.
1	51102-AAK-100	STEP, PILLION	1
2	51103-KVN-950	GUARD, SARI	1
3	95701-08016-07	BOLT FLANGE, 8 X 16	2
4	95701-08030-00	BOLT,FLANGE, 8 X 30	2
5	95701-08035-00	BOLT, FLANGE, 8 X 35	1
6	90851-AAE-H60	PLUG USELESS HOLE	2

F-30 CAUTION LABEL



FR.

Service Item	F.R.T.	Group Number: F-30 Model :: Hunk (Feb, 2017)		
Ref No.	Part Number	Description	Req.	
1	87505-AAR-H70	LABEL TYRE	1	
2	87522-MAB-600	LABEL, VISOR CAUTION	1	
3	87560-AAB-H00	LABEL DRIVE	1	
4	87507-MCW-D20	LABLE, DRIVE CHAIN	1	
5	87509-AAP-000	LABEL AIR/C ELEMENT NOTICE	1	

PARTS INDEX

PART NO	BLOCK	PART NO	BLOCK
3310B-AAK-201	F-1	14451-KRM-840	E-2
3331A-AAK-201	F-22	14510-KVE-900	E-4
3331B-AAK-201	F-22	14515-KRM-840	E-4
3331C-AAK-201	F-22	14520-AAB-A0099	E-4
3331D-AAK-201	F-22	14560-KSP-910	E-4
3340B-AAK-201	F-22	14610-KSP-910	E-4
3345B-AAK-201	F-22	14711-KSP-910	E-2
3360B-AAK-201	F-22	14721-KVE-900	E-2
3365B-AAK-201	F-22	14751-AAB-100	E-2
3372B-AAG-30099	F-23	14761-AAB-100	E-2
5313A-AAK-H70	F-4	14771-KSP-910	E-2
06435-KRY-971	F-10B-DISC	14777-KSP-910	E-2
06451-KCC-841	F-8	14781-MA6-000	E-2
06451-MA7-405	F-10B-DISC	15100-KRM-840	E-8A
06455-KCC-841	F-8	15130-KRM-840	E-8A
7720B-KVN-900	F-12	15331-KRM-840	E-8A
11100-KVE-900	E-8	15332-KRM-840	E-8A
11108-KTN-900	E-8	15421-KTN-900	E-8A
11200-KVE-900	E-8	15430-KSP-910	E-8A
11215-KSP-910	E-8	15436-KRM-840	E-8A
11216-KRM-840	E-8	15441-KCS-650	E-8A
11217-KRM-840	E-8	15446-107-000	E-8A
11330-AAK-100	E-5	15459-KWK-900	E-8A
11341-KVN-900	E-7C	15650-KVN-970	E-5
11360-AAK-100	E-7C	15772-KTN-900	F-15
11365-KSP-910	E-7C	15772-KTN-900	F-25
11393-KWK-900	E-5	16010-AAB-102	E-13
11395-KWK-900	E-7C	16012-AAB-801	E-13
12100-KVE-900	E-3	16013-AAB-102	E-13

12191-KWK-900	E-3	16015-AAB-102	E-13
12195-KVE-900	E-1A	16016-AAB-102	E-13
12195-KVE-900	E-3	16027-AAB-102	E-13
12200-AAB-700	E-1A	16028-AAB-102	E-13
12204-KRM-305	E-1A	16031-AAB-102	E-13
12205-KSP-305	E-1A	16032-AAB-102	E-13
12209-AAN-410	E-2	16033-AAB-102	E-13
12210-KSP-910	E-1A	16034-AAB-102	E-13
12212-KRM-840	E-1A	16035-AAB-102	E-13
12213-KSP-910	E-1A	16036-AAB-102	E-13
12251-KRM-B41	E-1A	16037-AAB-102	E-13
12311-AAM-100	E-1	16046-AAB-102	E-13
12391-KRM-840	E-1	16050-AAB-102	E-13
12396-KRM-840	E-1	16075-AAB-102	E-13
12397-KSP-910	E-1	16100-AAB-801	E-13
13000-AAB-100	E-9	16107-AAB-102	E-13
13011-KRM-305	E-9	16111-AAB-102	E-13
13021-KRM-305	E-9	16119-AAB-102	E-13
13031-KRM-305	E-9	16150-KTN-700H	F-3
13041-KRM-305	E-9	16155-AAB-102	E-13
13051-KRM-305	E-9	16163-AAB-102	E-13
13101-AAB-100	E-9	16165-AAB-102	E-13
13102-AAB-305	E-9	16173-001-000	F-13
13103-AAB-305	E-9	16199-KVE-930	F-15
13104-AAB-305	E-9	16210-AAB-701	E-1A
13105-AAB-305	E-9	16217-KSP-910	E-1A
13111-KSP-910	E-9	16222-KSP-910	E-1A
13201-KRM-840	E-9	16950-AAK-200099	F-13
13380-KRM-840	E-9	16952-KVN-900	F-13
13412-KSP-910	E-9	16953-GT4-305	F-13

14100-AAB-100	E-2	16955-AAK-200	F-13
14311-KRM-840	E-9	16959-HB3-000	F-13
14321-KRM-840	E-4	16967-MA2-770	F-13
14401-KCW-851	E-4	17208-KVE-900	F-15
14430-KSP-910	E-2	17211-AAB-100	F-15

PART NO	BLOCK	PART NO	BLOCK
17213-KRY-900	F-15	23421-KVN-900	E-10
17214-KRY-900	F-15	23427-KRM-840	E-10
17215-KTN-700	F-15	23427-KRM-840	E-11
17216-KVN-900	F-15	23431-KVN-900	E-10
17219-KVE-900	F-15	23432-KRM-840	E-10
17222-KVE-900	F-15	23441-KVN-900	E-10
17225-KVN-900	F-15	23451-KVN-900	E-10
17232-KVN-970	F-24A	23461-KVN-900	E-10
17234-KS4-770	F-15	23471-KVN-900	E-10
17234-KVN-900	F-15	23472-KSP-910	E-10
17235-KVE-900	F-15	23481-KVN-900	E-10
17245-KVN-900	F-15	23491-KVN-900	E-10
17250-KVN-970H	F-24A	23492-KSP-910	E-10
17311-KRC-910	F-15	23501-KVN-900	E-10
17369-AAM-100	F-15	23801-KCT-690	E-10
17371-KTN-700	F-15	23811-KR3-600	E-10
17509-KVN-900	F-13	24211-KRM-840	E-12
17510-KVN-900ZE	F-13	24212-KRM-840	E-12
17510-AAK-100U	F-13	24241-KRM-840	E-12
17510-KVN-900W	F-13	24242-KRM-840	E-12
17510-KVN-970U	F-13	24301-KSP-910	E-12
17510-KVN-900ZD	F-13	24410-KSP-860	E-12
17510-AAK-H70Y	F-13	24430-KTN-900	E-12
17525-KVE-900	F-13	24436-KSP-910	E-12
17529-KVN-900	F-13	24610-KSP-910	E-12
17611-KFN-850	F-13	24627-KRM-840	E-12
17613-MV4-000	F-13	24651-KSP-910	E-12
17620-AAK-H01	F-13	24652-KSP-910	E-12
17646-MN8-700	F-13	24700-KVE-900	F-18-DISC

17681-KVN-900	F-13	24700-KVE-900	F-18-DRUM
17910-KVN-900	F-3	24701-KVE-900	F-18-DISC
17950-AAK-100	F-3	24701-KVE-900	F-18-DRUM
18291-KRY-930	F-16	24711-KVE-900	F-18-DISC
18293-KPK-900	F-16	24711-KVE-900	F-18-DRUM
18300-AAK-201	F-16	24720-KFN-850	F-18-DISC
18311-KVN-970	F-16	24720-KFN-850	F-18-DRUM
18317-KVN-900	F-16	24721-GS3-000	F-18-DISC
18345-MBT-610	F-16	24721-GS3-000	F-18-DRUM
18421-438-670	F-16	24781-KR3-770	F-18-DISC
18442-KRC-900	F-16	24781-KR3-770	F-18-DRUM
18651-AAM-100	F-15	28110-KTN-900	E-7A
19052-KV0-000	F-1A	28120-KTR-A00A	E-7A
19052-KV0-000	F-12	28131-KTN-900	E-7A
19052-KV0-000	F-14	28132-KN6-930	E-7A
19509-GE2-003	F-15	28133-KRM-850	E-7A
19902-865-780	F-25	28211-KRM-840	E-11
22100-KTN-900	E-6	28215-KRM-840	E-11
22115-KSP-910	E-6	28221-KTN-900	E-11
22120-KRM-840	E-6	28223-KRM-840	E-11
22201-KPM-850	E-6	28231-KRM-840	E-11
22201-MR8-000	E-6	28241-AAK-H00	F-18-DISC
22321-KPS-900	E-6	28241-AAK-H00	F-18-DRUM
22355-KRM-840	E-6	28251-KTN-900	E-11
22361-KPK-900	E-6	28261-KRM-840	E-11
22366-KSP-910	E-6	28282-KRM-840	E-11
22401-KRM-840	E-6	28293-333-000	F-18-DISC
22810-KRM-B00	E-5	28293-333-000	F-18-DRUM
22815-428-000	E-5	28300-AAK-H00	F-18-DISC
22821-KRM-840	E-5	28300-AAK-H00	F-18-DRUM

22870-KVN-900	F-3	28307-AAK-H60	F-18-DISC
22871-KTN-700	F-3	28307-AAK-H60	F-18-DRUM
23121-KVE-860	E-9	28311-KC5-000	F-18-DISC
23210-KVN-900	E-10	28311-KC5-000	F-18-DRUM
23220-KTN-900	E-10	28333-KK0-000	F-18-DISC

PART NO	BLOCK	PART NO	BLOCK
28333-KK0-000	F-18-DRUM	35010-AAK-201	F-4
30401-KVE-901	F-24	35100-AAK-201	F-4
30401-AAL-00099	F-24	35113-KZJ-H00	F-4
30410-AAB-101	F-24	35113-KZJ-H00	F-27
30460-AAM-000	F-24	35114-KZJ-H00	F-4
30500-AAB-H61	F-24	35114-KZJ-H00	F-27
30700-KTC-A21	F-24	35121-KZJ-H00	F-4
31100-KSP-B01	E-7	35122-KZJ-H00	F-4
31100-KSP-B01	E-7A	35150-AAM-011	F-3
31110-KSP-B01	E-7	35200-AAK-201	F-3
31110-KSP-B01	E-7A	35330-413-003	F-3
31120-KSP-B01	E-7	35340-KCC-841	F-3A
31120-KSP-B01	E-7A	35350-KFN-850	F-18-DISC
31200-KSP-901	E-7B	35350-KFN-850	F-18-DRUM
31201-KPT-A01	E-7B	35357-KVN-970	F-18-DISC
31204-KG8-004	E-7B	35357-KVN-970	F-18-DRUM
31205-KTC-921	E-7B	35400-KRY-970	F-24
31206-KPH-881	E-7B	35505-KVN-971	F-2
31207-MBE-008	E-7B	35751-KPH-900	E-12
31500-KRP-801	F-24A	35752-KRM-840	E-12
31600-KWS-901	F-24	35759-KVN-900	E-8
31916-KRM-84099	E-1A	35850-AAM-H01	F-24
32100-AAK-600	F-24	35850-KR3-870	F-24
32101-KVN-970	F-24	35856-KBG-007	F-24
32108-344-820	F-24	37100-AAK-601	F-2
32111-KSP-910	E-7	37101-KVN-971	F-2
32111-KSP-910	E-7A	37213-KVN-971	F-2
32161-404-000	F-3	37214-KVN-971	F-2
32401-KVN-970	F-24	37215-KVN-971	F-2

32406-KVN-970	F-24	37216-KVN-971	F-2
32410-KVN-970	F-24	37217-KVN-971	F-2
32411-253-000	F-24	37300-AAK-601	F-2
32413-KRY-970	F-24	37312-KVN-971	F-2
32414-KVN-970	F-24	37400-AAK-100	F-2
32418-KRY-970	F-24	37500-AAK-601	F-2
32601-KVN-970	F-24	37800-KVN-901	F-13
32602-KVN-900	F-24	37890-AAB-102	E-13
33101-KVN-901	F-1	38110-AAK-201	F-25
33108-KRY-900	F-1	38117-KFE-701	F-25
33110-AAK-201	F-1	38201-KVN-910	F-24
33112-KTN-921	F-1	38301-KVN-971	F-24
33128-GBL-000	F-1	38306-GE7-000	F-24
33150-KVN-901	F-1	38502-KSP-910	F-24
33307-KVN-901	F-22	38506-KSP-910	F-24
33401-AAB-401	F-22	40510-KVN-901	F-19-DISC
33402-AAB-401	F-22	40510-KVN-901	F-19-DRUM
33451-AAB-401	F-22	40520-KVN-901	F-19-DISC
33452-AAB-401	F-22	40520-KVN-901	F-19-DRUM
33605-KVN-901	F-22	40530-KSP-900	F-19-DISC
33606-KVN-901	F-22	40530-KSP-900	F-19-DRUM
33619-459-840	F-16	40531-KCS-690	F-19-DISC
33701-AAK-201	F-23	40531-KCS-690	F-19-DRUM
33714-KL3-620	F-25	40543-KRY-900	F-19-DISC
33721-KVE-900	F-23	40543-KRY-900	F-19-DRUM
33722-KVE-900	F-23	40544-KRY-900	F-19-DISC
33723-KVE-900H	F-23	40544-KRY-900	F-19-DRUM
33729-MCZ-003	F-23	40545-001-000	F-19-DISC
33740-AAB-000	F-6	40545-001-000	F-19-DRUM
33741-KST-920	F-21	40546-KVE-901	F-19-DISC

34351-AAB-401	F-23	40546-KVE-901	F-19-DRUM
34901-KSP-910	F-1	41201-KVN-970	F-11-DISC
34901-KSP-910	F-1	41201-KVE-900	F-11-DRUM
34908-AAB-401	F-22	41241-KSP-900	F-11-DISC
34920-AAK-201	F-1	41241-KSP-900	F-11-DRUM

PART NO	BLOCK	PART NO	BLOCK
42301-KVE-900	F-11-DISC	45126-KVE-900	F-3A
42301-KVE-900	F-11-DRUM	45131-GE2-006L	F-8
42303-KRY-931	F-11-DISC	45131-GZ0-006L	F-10B-DISC
42303-KRY-931	F-11-DRUM	45132-KCC-841	F-8
42311-KVE-900	F-11-DISC	45132-166-016L	F-10B-DISC
42311-KVE-900	F-11-DRUM	45133-KCC-841	F-8
42313-240-000	F-10	45133-KCC-900	F-10
42313-KRY-970	F-11-DISC	45133-MA3-006L	F-10B-DISC
42601-AAR-H71	F-11-DISC	45134-250-000	F-10
42601-AAK-H81	F-11-DRUM	45141-KTC-900	F-10
42611-KVN-970	F-11-DISC	45155-KTN-710	F-3A
42611-KRY-930	F-11-DRUM	45156-KVE-900	F-3A
42620-KSP-900	F-11-DISC	45164-KVN-970	F-9
42620-KSP-900	F-11-DRUM	45203-MCC-006	F-10B-DISC
42704-MB0-000	F-9	45216-166-006L	F-10B-DISC
42705-MER-D00	F-9	45216-KPP-861	F-10B-DISC
42706-MB0-000	F-9	45220-KCC-841	F-8
42711-KRY-971	F-11-DISC	45250-KCC-841	F-8
42711-KRY-971	F-11-DRUM	45251-KSP-861	F-9
42753-KWF-90099	F-9	45290-KCC-841	F-8
42753-KWF-90099	F-11-DISC	45352-KCC-841	F-8
42753-KWF-90099	F-11-DRUM	45353-KCC-841	F-8
43100-KRY-930	F-10	45504-KCC-841	F-3A
43107-MA7-006	F-10B-DISC	45506-KCC-841	F-3A
43115-KVN-971	F-10B-DISC	45510-KVN-901	F-3A
43145-149-000	F-10	45513-KCC-841	F-3A
43150-KRY-972	F-10B-DISC	45513-GW0-911	F-10A-DISC
43155-KRY-970	F-10A-DISC	45515-KVN-901	F-3A
43190-KRY-971	F-10B-DISC	45516-KCC-841	F-3A

43215-KGH-901	F-10B-DISC	45517-166-000	F-3
43216-MAK-003	F-8	45517-KCC-841	F-3A
43251-KVN-971	F-11-DISC	45518-KCC-841	F-3A
43310-AAK-100	F-10A-DISC	45519-KCC-841	F-3A
43352-568-003L	F-10B-DISC	45520-KCC-841	F-3A
43353-461-771L	F-10B-DISC	45520-GW0-911	F-10A-DISC
43410-KRY-930	F-10	45521-KCC-841	F-3A
43431-AAK-100	F-19-DISC	45521-GW0-911	F-10A-DISC
43431-KTR-900	F-19-DRUM	45522-KCC-841	F-3A
43434-ME1-670	F-10	45525-KCC-841	F-3A
43451-KVE-901	F-18-DRUM	45526-KCC-841	F-3A
43455-KSP-900	F-18-DRUM	45530-KCC-841	F-3A
43456-KSP-900	F-18-DRUM	46182-MEL-D21	F-10A-DISC
43459-KSP-900	F-18-DRUM	46500-KVN-970	F-18-DISC
43503-MEE-006	F-10A-DISC	46500-KVN-900	F-18-DRUM
43504-MB2-006	F-10A-DISC	46504-KV6-702	F-10A-DISC
43510-KRY-971	F-10A-DISC	46514-KN5-670	F-18-DISC
43511-KW7-881	F-10A-DISC	46514-KCC-900	F-18-DRUM
43512-KVN-971	F-10A-DISC	46515-KB9-000	F-18-DISC
43514-KS6-701	F-10A-DISC	46515-KVN-970	F-18-DISC
43520-MJ6-315	F-10A-DISC	46515-KB9-000	F-18-DRUM
43530-MV9-006	F-10A-DISC	46515-KVE-900	F-18-DRUM
44301-KSP-900	F-9	47117-196-000	F-21
44311-KRC-900	F-9	50100-AAK-600	F-25
44601-AAK-H71	F-9	50186-KVN-900	F-21
44620-400-000	F-9	50192-KVN-900	F-23
44680-KSP-B00	F-9	50200-AAK-100R	F-13
44711-KRY-971	F-9	50200-AAK-100U	F-13
44800-KVN-971	F-9	50200-AAK-100V	F-13
44818-KSP-B00	F-9	50200-AAK-100X	F-13

45107-KCC-841	F-8	50200-AAK-100Y	F-13
45108-KCC-841	F-8	50200-AAK-100Z	F-13
45108-KCC-841	F-10B-DISC	50201-KVN-900	F-27
45111-MAJ-G41	F-10B-DISC	50220-AAK-600	F-25
45125-AAH-F0099	F-10	50265-KVN-900	F-13

PART NO	BLOCK	PART NO	BLOCK
50275-KVN-900H	F-13	51520-AAB-000	F-7
50296-KVE-900	F-25	52101-KTN-700	F-19-DISC
50300-AAK-100R	F-13	52101-KTN-700	F-19-DRUM
50300-AAK-100U	F-13	52110-KVN-970	F-19-DISC
50300-AAK-100V	F-13	52110-KVN-900	F-19-DRUM
50300-AAK-100X	F-13	52143-KVE-900	F-19-DISC
50300-AAK-100Y	F-13	52143-KVE-900	F-19-DRUM
50300-AAK-100Z	F-13	52144-KEJ-900	F-19-DISC
50301-KTR-900	F-5	52144-KEJ-900	F-19-DRUM
50301-KVN-900	F-27	52170-KVN-900	F-19-DISC
50328-KVN-900	F-25	52170-KVN-900	F-19-DRUM
50351-KVN-900	F-25	52400-AAK-100	F-20
50354-428-000	F-12	52486-KTN-701	F-20
50383-KRC-900	F-24A	52489-399-600	F-20
50400-KVN-870	F-25	53100-KVE-930Z	F-4
50451-GB6-920	F-1A	53105-KRC-900	F-4
50500-KVE-930	F-18A	53131-KVN-901H	F-4
50505-KCC-900	F-25	53132-124-000	F-4
50507-AAB-400	F-18A	53132-KZN-900	F-27
50508-AAB-400	F-18A	53133-198-900	F-4
50509-AAB-400	F-18A	53134-028-000	F-4
50526-KCT-690	F-18A	53135-198-900	F-4
50530-KVE-900	F-18A	53136-198-900	F-4
50600-KVN-970	F-17-DISC	53140-KFN-850	F-3
50600-KVN-900Z	F-17-DRUM	53166-KFN-850	F-3
50603-KFN-850	F-17-DISC	53172-KRC-900	F-3
50603-KVE-900	F-17-DISC	53175-KSP-900	F-3A
50603-KFN-850	F-17-DRUM	53178-KFN-850	F-3
50603-KVE-900	F-17-DRUM	53182-KFN-850	F-3

50618-KE8-000	F-17-DISC	53200-KTN-700	F-5
50618-KE8-000	F-17-DRUM	53209-GAH-000	F-1
50619-KFN-850	F-17-DISC	53211-268-010	F-5
50619-KTN-700	F-17-DISC	53212-200-000	F-5
50619-KFN-850	F-17-DRUM	53214-200-000	F-5
50619-KTN-700	F-17-DRUM	53215-KTR-900	F-5
50643-KCT-690	F-17-DISC	53216-KVN-970	F-5
50643-KCT-690	F-17-DRUM	53216-KVN-970	F-9
50661-KVN-900	F-17-DISC	53221-KSP-900	F-5
50661-KVN-900	F-17-DRUM	53222-KRM-860	F-5
50700-KVN-900Z	F-17-DISC	53230-KTN-700	F-4
50700-KVN-900Z	F-17-DRUM	61100-KVN-970ZA	F-6
50715-KVN-900	F-17-DISC	61100-AAK-100U	F-6
50715-KVN-900	F-17-DRUM	61100-KVN-970ZE	F-6
50717-KFN-850	F-17-DISC	61100-KVN-970ZD	F-6
50717-KFN-850	F-17-DRUM	61100-KVN-970ZG	F-6
50718-KFN-850	F-17-DISC	61100-AAK-H70Y	F-6
50718-KFN-850	F-17-DRUM	61102-KVN-900	F-6
50720-AAB-H61	F-21A	61103-KRY-900	F-6
50803-KVE-900	F-28	61105-KTC-900	F-6
50805-KVE-900	F-28	61200-KVN-970ZA	F-6
51102-AAK-100	F-29	61200-AAK-100U	F-6
51103-KVN-950	F-29	61200-KVN-970ZE	F-6
51104-AAK-200	F-25	61200-KVN-970ZD	F-6
51400-AAK-100	F-7	61200-KVN-970ZG	F-6
51401-KSP-901	F-7	61200-AAK-H70Y	F-6
51410-KVN-901	F-7	61300-KVN-970ZAH	F-6
51412-KSP-901	F-7	61300-AAK-100U	F-6
51412-KFN-851	F-7	61300-KVN-970ZE	F-6
51420-AAB-000	F-7	61300-KVN-970ZDH	F-6

51432-KFN-851	F-7	61300-KVN-970ZG	F-6
51437-KVN-901	F-7	61300-AAK-H70Y	F-6
51440-KVN-901	F-7	61312-KCT-690	F-1A
51488-KTN-701	F-20	61330-KVN-900	F-1A
51500-AAK-100	F-7	61340-KVN-900	F-1A

PART NO	BLOCK	PART NO	BLOCK
64100-AAK-100	F-1A	80202-KVE-900	F-23
64101-AAK-100	F-27	80203-KVE-900	F-23
64204-KVN-900ZEH	F-1A	83407-KCC-902	F-24A
64204-AAK-100U	F-1A	83520-AAK-600	F-14
64204-KVN-900ZFH	F-1A	83545-KCJ-690	F-12
64204-KVN-970ZD	F-1A	83545-KVN-900	F-14
64204-KVN-900ZDH	F-1A	83550-KVN-970R	F-14
64204-AAK-H70Y	F-1A	83550-AAK-100U	F-14
64205-KVN-900ZEH	F-1A	83550-KVN-970V	F-14
64205-AAK-100U	F-1A	83550-KVN-970U	F-14
64205-KVN-900ZFH	F-1A	83550-KVN-970X	F-14
64205-KVN-970ZD	F-1A	83550-AAK-H70Y	F-14
64205-KVN-900ZDH	F-1A	83551-376-000	F-1A
64205-AAK-H70Y	F-1A	83551-300-000	F-13
64206-KVN-970	F-1A	83601-KVN-900	F-23
64312-KVN-970	F-1A	83620-AAK-600	F-14
64313-KVN-900	F-1A	83650-KVN-970R	F-14
64316-KVN-900	F-1A	83650-AAK-100U	F-14
64720-KVN-900	F-13	83650-KVN-970V	F-14
64820-KVN-900	F-13	83650-KVN-970U	F-14
75582-KCW-870	F-12	83650-KVN-970X	F-14
77156-KVN-970	F-12	83650-AAK-H70Y	F-14
77160-KVN-970	F-12	84701-KVN-900	F-21
77200-KVN-900	F-12	84702-KCC-900	F-12
77202-KCC-900	F-12	86271-AAK-100R	F-27
77204-KCC-900	F-12	86271-AAK-100U	F-27
77205-KVE-900	F-12	86271-AAK-100V	F-27
77205-KVN-900	F-23	86271-AAK-100X	F-27
77206-KFN-850	F-12	86271-AAK-100Y	F-27

77228-GBG-850	F-12	86271-AAK-100Z	F-27
77229-GBG-850	F-12	86272-AAK-100R	F-27
77231-KVN-900	F-12	86272-AAK-100U	F-27
77231-KVE-900	F-14	86272-AAK-100V	F-27
77231-KVE-900	F-25	86272-AAK-100X	F-27
77234-KVN-900	F-12	86272-AAK-100Y	F-27
77235-KVN-900	F-23	86272-AAK-100Z	F-27
77238-AAK-100	F-27	86501-AAK-100R	F-27
77239-AAL-H00	F-12	86501-AAK-100U	F-27
77244-KVN-900	F-12	86501-AAK-100V	F-27
77246-KVN-900	F-1A	86501-AAK-100X	F-27
77247-KVN-900	F-1A	86501-AAK-100Y	F-27
77250-KVN-900	F-12	86501-AAK-100Z	F-27
77260-KVE-900	F-12	86502-AAK-100R	F-27
77260-KVN-900H	F-12	86502-AAK-100U	F-27
77280-AAK-100	F-12	86502-AAK-100V	F-27
77315-AAK-H70ZA	F-12	86502-AAK-100X	F-27
77315-AAK-600U	F-12	86502-AAK-100Y	F-27
77315-AAK-H70ZE	F-12	86502-AAK-100Z	F-27
77315-AAK-H70ZDH	F-12	86771-AAK-H70ZA	F-27
77315-AAK-H70ZGH	F-12	86771-AAK-H70ZB	F-27
77315-AAK-H70Y	F-12	86833-AAK-600	F-27
77325-AAK-H70ZA	F-12	86834-AAK-600	F-27
77325-AAK-600U	F-12	87505-AAR-H70	F-30
77325-AAK-H70ZE	F-12	87507-MCW-D20	F-30
77325-AAK-H70ZDH	F-12	87509-AAP-000	F-30
77325-AAK-H70ZGH	F-12	87522-MAB-600	F-30
77325-AAK-H70Y	F-12	87560-AAB-H00	F-30
80100-KVN-900	F-21	88110-AAK-H01ZA	F-3
80101-443-000	F-2	88110-AAK-100U	F-3

80101-KVN-900	F-13	88110-AAK-H01ZE	F-3
80102-KVN-900	F-21	88110-AAK-H01ZD	F-3
80111-KVN-900	F-21	88110-AAK-H01ZG	F-3
80112-KVN-900	F-21	88110-AAK-H70Y	F-3
80201-KVN-900	F-23	88114-198-D10	F-3

PART NO	BLOCK	PART NO	BLOCK
88115-KTR-900	F-3	90123-KRM-860	F-7
88120-AAK-H01ZA	F-3	90127-KRY-970	F-10B-DISC
88120-AAK-100U	F-3	90131-KRM-840	E-8
88120-AAK-H01ZE	F-3	90133-331-770	F-19-DISC
88120-AAK-H01ZD	F-3	90133-331-770	F-19-DRUM
88120-AAK-H01ZG	F-3	90140-KAE-000	F-3
88120-AAK-H70Y	F-3	90145-MS9-610	F-3A
88150-KVN-900	F-21	90145-MS9-610	F-10A-DISC
89102-AAC-000	F-26	90155-KSP-900	F-8
89102-538-000	F-26	90155-KY4-900	F-10B-DISC
89103-538-000	F-26	90201-KRM-840	E-7
89215-AAC-000	F-26	90201-KRM-840	E-7A
89216-AAD-H00	F-26	90201-MW3-620	F-3
90001-KFN-850	F-17-DISC	90202-KRM-840	E-6
90001-KFN-850	F-17-DRUM	90206-250-000	E-2
90002-KRM-840	E-1A	90231-KM7-700	E-8A
90003-KFG-000	E-1	90301-473-000	F-10
90003-KVS-900	E-12	90302-KTE-911	F-6
90003-KCC-840	F-3	90302-KBP-900	F-19-DISC
90005-KY7-000	E-4	90302-KBP-900	F-19-DRUM
90006-MEE-000	E-1A	90303-KCC-841	F-3A
90008-KRM-840	E-6	90304-GA6-000	F-4
90012-KK3-830	E-2	90304-KSP-900	F-4
90019-399-010	F-25	90304-KCS-920	F-11-DISC
90022-MG8-000	E-12	90304-KST-942	F-11-DISC
90031-KSP-910	E-8	90304-KCS-920	F-11-DRUM
90040-KSP-910	E-1A	90304-KST-942	F-11-DRUM
90071-MB0-000	E-7B	90304-KFN-850	F-18A
90074-KVE-900	F-13	90305-KVN-900	F-11-DISC

90083-KRM-840	E-4	90305-KVN-900	F-11-DRUM
90084-KVE-930	E-7C	90305-KSP-900	F-16
90084-041-000	E-10	90305-KVN-900	F-19-DISC
90085-KTC-920	E-7A	90305-KVN-900	F-19-DRUM
90087-KVE-900	E-7C	90306-KRM-840	E-1A
90101-GJ6-000	F-1	90306-KST-942	F-9
90101-GE0-000	F-1A	90306-KTE-911	F-9
90101-087-720	F-12	90306-KVT-941	F-24A
90101-087-720	F-14	90307-GJ6-000	F-1
90101-087-720	F-21	90320-GC3-000	F-6
90102-KVN-900	F-4	90320-GC3-000	F-21
90103-MCS-G00	F-10A-DISC	90380-MB2-000	F-22
90103-KVN-900	F-12	90401-KRM-840	E-6
90103-KVN-900	F-21	90404-KPT-A00	E-1A
90104-KVN-900	F-22	90417-KRM-840	E-12
90105-KVN-900	F-1A	90432-KPT-A00	E-8A
90105-KGH-900	F-9	90441-KRM-840	E-8
90105-KL8-741	F-11-DISC	90451-KRM-840	E-11
90105-KVN-900	F-14	90452-KRM-840	E-10
90106-KRY-970	F-6	90452-GB4-770	E-10
90106-KVN-900	F-14	90452-GB4-770	E-11
90107-KST-940	F-16	90453-KRM-840	E-10
90107-GN1-010	F-18A	90454-107-000	E-10
90107-428-000	F-21A	90455-KSP-910	E-11
90108-KVN-900	F-13	90456-KRM-840	E-10
90110-KVE-900	F-24	90457-KRM-840	E-12
90111-KCC-841	F-3A	90463-KRM-840	E-1
90111-187-000	F-15	90501-KPT-A00	E-6
90111-MR5-000	F-24	90501-KPT-A00	E-7
90112-KCC-841	F-3A	90501-KPT-A00	E-7A

90113-438-000	F-3	90502-155-000	F-18-DISC
90114-KCC-841	F-3A	90502-155-000	F-18-DRUM
90116-KAG-900	F-7	90502-KRY-930	F-18-DRUM
90122-KVT-941	F-24A	90503-KTR-900	F-4
90123-KSP-901	F-7	90505-425-000	F-10

PART NO	BLOCK	PART NO	BLOCK
90505-KRM-860	F-18-DISC	91307-KRM-840	E-5
90505-KRM-860	F-18-DRUM	91309-425-003	E-7B
90521-292-000	F-7	91320-MB0-000	E-7B
90525-428-900	F-25	91352-KSP-900	F-11-DISC
90534-MV4-000	F-13	91352-KSP-900	F-11-DRUM
90543-MV9-670	E-1	91356-KAG-900	F-7
90544-KFN-851	F-7	91406-KFN-850	F-15
90545-300-000	F-3A	91455-MG8-000	F-4
90545-300-000	F-10A-DISC	91547-SF4-003	F-24
90551-178-000	F-20	91551-AAB-100	F-24
90559-KRY-970	F-11-DISC	92101-06012-0G	F-17-DISC
90559-KVN-900	F-11-DRUM	92101-06012-0G	F-17-DRUM
90560-KVN-970	F-11-DISC	92811-10000	F-10
90560-KVN-970	F-11-DRUM	92915-10025-0E	F-11-DISC
90563-355-000	F-12	92915-10025-0E	F-11-DRUM
90601-AAB-A00	E-10	93500-04025-0G	F-13
90601-KFN-851	F-7	93500-04032-0G	F-15
90601-KAF-003	F-18-DISC	93500-05016-1H	F-15
90601-KAF-003	F-18-DRUM	93600-04045-1G	F-10A-DISC
90601-KAF-003	F-25	93700-05012-0A	E-8A
90602-KRM-840	E-11	93892-05020-07	F-3
90605-200-000	E-10	93892-05025-07	F-3
90651-KCC-841	F-3A	93892-05035-07	F-3
90651-MK3-780	F-15	93892-05045-07	F-3
90701-KFN-850	E-5	93893-04012-17L	F-10A-DISC
90704-KRM-840	E-1A	93901-34120	E-8A
90741-KFB-000	E-9	93901-04012-00	F-1
90741-KGH-900	E-9	93901-42480	F-2
90755-229-000	F-9	93901-24480	F-23

90851-AAE-H60	F-29	93903-34380	F-1A
90899-KVN-900	F-1A	93903-34320	F-6
91001-KTN-900	E-9	93903-34380	F-12
91002-KSP-911	E-9	93903-35280	F-12
91003-KSP-910	E-10	93903-34380	F-13
91004-KTN-900	E-10	93903-34380	F-14
91005-KTN-900	E-10	93903-34210	F-21
91006-KTN-900	E-10	93903-34410	F-21
91008-KTN-900	E-2	93903-35280	F-21
91022-KTN-900	E-7A	93903-34410	F-23
91071-KVN-900	F-19-DISC	94001-06070-0S	F-2
91071-KVN-900	F-19-DRUM	94001-06090-0S	F-2
91101-KTN-901	E-9	94001-08000-0S	F-10
91102-KTN-901	E-9	94001-06090-0S	F-12
91103-KTN-901	E-9	94001-06090-0S	F-17-DISC
91202-KSP-911	E-5	94001-06090-0S	F-17-DRUM
91203-KSP-910	E-8	94001-06000-0S	F-18-DISC
91204-MC7-003	E-5	94001-06000-0S	F-18-DRUM
91212-422-006	F-10A-DISC	94001-06090-0S	F-19-DISC
91216-KSP-910	E-10	94001-08000-0S	F-19-DISC
91251-KPH-901	F-9	94001-06000-0S	F-19-DISC
91253-KSP-901	F-11-DISC	94001-06090-0S	F-19-DRUM
91253-KSP-901	F-11-DRUM	94001-08000-0S	F-19-DRUM
91254-GAA-003R	F-7	94001-06000-0S	F-19-DRUM
91254-KS6-003	F-19-DISC	94002-10070-0S	F-3
91254-KS6-003	F-19-DRUM	94002-08000-0S	F-10A-DISC
91255-KRM-852	F-7	94002-10000-0S	F-20
91257-230-003	F-11-DISC	94002-06000-0S	F-21
91258-KWC-901	F-9	94021-10000-0S	F-20
91303-KRM-840	E-7C	94021-06090-0S	F-24A

91304-KRM-840	E-1A	94050-06000	F-3
91305-KRM-840	E-7C	94050-06000	F-13
91305-KPH-900	E-8	94050-10070	F-16
91305-443-740	F-13	94050-08000	F-17-DISC
91306-MG3-000	E-4	94050-08000	F-17-DRUM

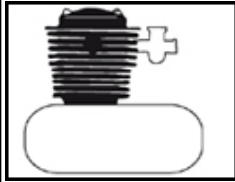
PART NO	BLOCK	PART NO	BLOCK
94050-06000	F-21	95701-06022-00	E-7B
94050-10000	F-22	95701-06016-00	E-8
94050-05000	F-23	95701-06020-00	E-8
94050-06000	F-23	95701-06040-00	E-8
94050-10000	F-25	95701-06045-00	E-8
94050-06000	F-25	95701-06070-00	E-8
94050-08000	F-25	95701-06035-00	E-8A
94050-08070	F-28	95701-06016-00	E-11
94101-04700	F-3	95701-06012-00	F-1A
94101-05000	F-15	95701-06020-00	F-1A
94101-08000	F-19-DISC	95701-08035-07	F-5
94101-08000	F-19-DRUM	95701-06035-00	F-10
94101-12800	F-20	95701-06012-00	F-10A-DISC
94102-08000	F-17-DISC	95701-06022-00	F-10A-DISC
94102-08000	F-17-DRUM	95701-06018-08	F-12
94103-06700	F-12	95701-06020-00	F-12
94103-10000	F-16	95701-06022-00	F-12
94103-06000	F-18-DISC	95701-08025-00	F-13
94103-06000	F-18-DRUM	95701-10025-00	F-17-DISC
94103-06800	F-23	95701-10025-00	F-17-DRUM
94109-12000	E-8	95701-06020-00	F-18-DISC
94111-03800	F-13	95701-08020-00	F-18-DISC
94111-10000	F-19-DISC	95701-08040-07	F-18-DISC
94111-10000	F-19-DRUM	95701-08028-00	F-18-DISC
94201-20150	F-10	95701-06020-00	F-18-DRUM
94201-20150	F-10A-DISC	95701-08020-00	F-18-DRUM
94201-20150	F-17-DISC	95701-08040-07	F-18-DRUM
94201-20150	F-17-DRUM	95701-08028-00	F-18-DRUM
94201-20150	F-18-DISC	95701-06012-07	F-19-DISC

94201-20150	F-18-DRUM	95701-06012-07	F-19-DRUM
94201-30300	F-18A	95701-06012-07	F-21
94201-20150	F-19-DISC	95701-06020-07	F-21
94201-20150	F-19-DRUM	95701-06016-07	F-23
94251-08000	E-8A	95701-06012-00	F-24
94301-08140	E-1	95701-06014-00	F-24
94301-10120	E-1A	95701-06016-00	F-24
94301-10120	E-3	95701-06008-00	F-24A
94301-08140	E-5	95701-06012-00	F-24A
94301-08140	E-7C	95701-08022-08	F-25
94301-08140	E-8	95701-06010-00	F-25
94301-08140	E-8A	95701-06020-07	F-25
94305-20102	F-10A-DISC	95701-06012-07	F-25
94510-16000	E-11	95701-08016-07	F-29
94510-14000	E-12	95701-08030-00	F-29
94591-27000	F-21	95701-08035-00	F-29
94601-14000	E-9	95801-06105-00	E-1A
95002-02080	F-13	95801-10055-00	F-16
95002-02100	F-13	95801-08038-07	F-18-DISC
95002-02130	F-13	95801-08038-07	F-18-DRUM
95002-70000	F-15	95801-10035-00	F-20
95002-80000	F-15	95801-08090-00	F-25
95005-45470-20	F-13	95801-08095-00	F-25
95005-80350-20	F-13	96001-06012-00	E-1
95005-80800-20	F-13	96001-06022-00	E-4
95014-72102	F-18A	96001-06030-00	E-5
95015-54000	F-10A-DISC	96001-06040-00	E-5
95015-53000	F-18-DRUM	96001-06030-00	E-7C
95018-54320	F-15	96001-06035-00	E-7C
95020-15100	F-11-DISC	96001-06045-00	E-7C

95020-15100	F-11-DRUM	96001-06018-00	E-8
95701-06014-00	E-1A	96001-06022-07	F-3
95701-06016-00	E-1A	96001-06012-07	F-3A
95701-06022-00	E-1A	96001-06012-07	F-5
95701-06016-00	E-4	96001-06032-00	F-6

PART NO	BLOCK
96001-06014-02	F-16
96001-06012-00	F-18-DISC
96001-06012-00	F-18-DRUM
96001-06020-00	F-24
96001-06016-00	F-24
96100-60030-00	E-6
96140-63020-10	F-11-DISC
96140-63020-10	F-11-DRUM
96150-63010-10	F-9
96150-60050-10	F-11-DISC
96150-60050-10	F-11-DRUM
96211-08000	F-5
96211-08000	F-18-DISC
96211-08000	F-18-DRUM
96220-30085	E-12
96600-06016-00	E-7
96600-06022-00	E-7
96600-06016-00	E-7A
96600-06022-00	E-7A
96700-08020-00	F-4
96700-06012-07	F-5
96700-06020-07	F-5
98200-32000	F-24
98200-31000	F-24
98200-31500	F-24
99007-AAK-100	F-26
99101-AAB-1275	E-13
99103-AAB-0125	E-13

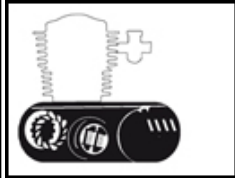
BLOCK INDEX - GROUP Engine - Hunk (Feb, 2017).



E-1
E-1A
E-2
E-3

CYLINDER HEAD COVER
CYLINDER HEAD
CAM SHAFT / VALVE
CYLINDER

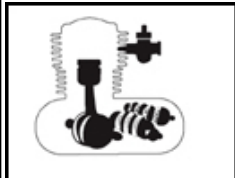
1
2
3
4



E-4
E-5
E-6
E-7
E-7A
E-7B
E-7C
E-8
E-8A

CAM CHAIN TENSIONER
RIGHT CRANK CASE COVER
CLUTCH
A. C. GEN. ASSY.
A. C. GEN. ASSY.
STARTER MOTOR
LEFT CRANK CASE COVER
CRANK CASE
OIL PUMP

5
6
7
8
9
10
11
12
13












E-9
E-10
E-11
E-12
E-13

CRANK SHAFT / PISTON
TRANSMISSION
SPINDLE KICK STARTER
DRUM GEAR SHIFT
CARBURETTOR








14
16
17
18
19

BLOCK INDEX - GROUP Frame - Hunk (Feb, 2017).







	F-1	HEAD LIGHT	20
	F-1A	FRONT COWL /STAY	21
	F-2	SPEEDOMETER / CABLE	22
	F-3	HANDLE LEVER / SWITCH/CABLES	23
	F-3A	FRONT BRAK MASTER CYL.	24
	F-4	HANDLE PIPE / TOP BRIDGE	25
	F-5	STRG. STEM	26
	F-6	FRONT FENDER	27
	F-7	FRONT FORK	28



	F-8	CALIPER ASSY 'R' FR	29
	F-9	FRONT WHEEL	30
	F-10	REAR BRAKE PANEL	31
	F-10A-DISC	REAR BRAKE MASTER CYL.	32
	F-10B-DISC	CALIPER ASSY. REAR	33
	F-11-DISC	REAR WHEEL	34
	F-11-DRUM	REAR WHEEL	35



	F-12	SEAT ASSY. /COWL	36
	F-13	FUEL TANK	37
	F-14	SIDE COVER	38
	F-15	AIR CLEANER	39

BLOCK INDEX - GROUP Frame - Hunk (Feb, 2017).



	F-16	MUFFLER EXHAUST	40
	F-17-DISC	STEP PILLION	41
	F-17-DRUM	STEP PILLION	42
	F-18-DISC	GEAR CHANGE PEDAL/KICK STARTER /PEDAL BRAKE	43
	F-18-DRUM	GEAR CHANGE PEDAL/KICK STARTER /PEDAL BRAKE	44
	F-18A	MAIN STAND/SIDE STAND	45
	F-19-DISC	SWINGARM / CHAIN CASE	46
	F-19-DRUM	SWINGARM / CHAIN CASE	47
	F-20	CUSHION REAR	48



	F-21	REAR FENDER	49
	F-21A	HOLDER ASSY.(OPTIONAL)	50
	F-22	WINKER	51
	F-23	TAIL LIGHT	52



	F-24	WIRE HARNESS/START CABLES	53
	F-24A	BATTERY ASSY.	54
	F-25	FRAME BODY/ASV/GRIP REAR	55
	F-26	TOOLS	56
	F-27	STRIPE/ MARKS	57
	F-28	GUARD FRONT (OPTIONAL)	71
	F-29	GUARD SARI (OPTIONAL)	72
	F-30	CAUTION LABEL	73