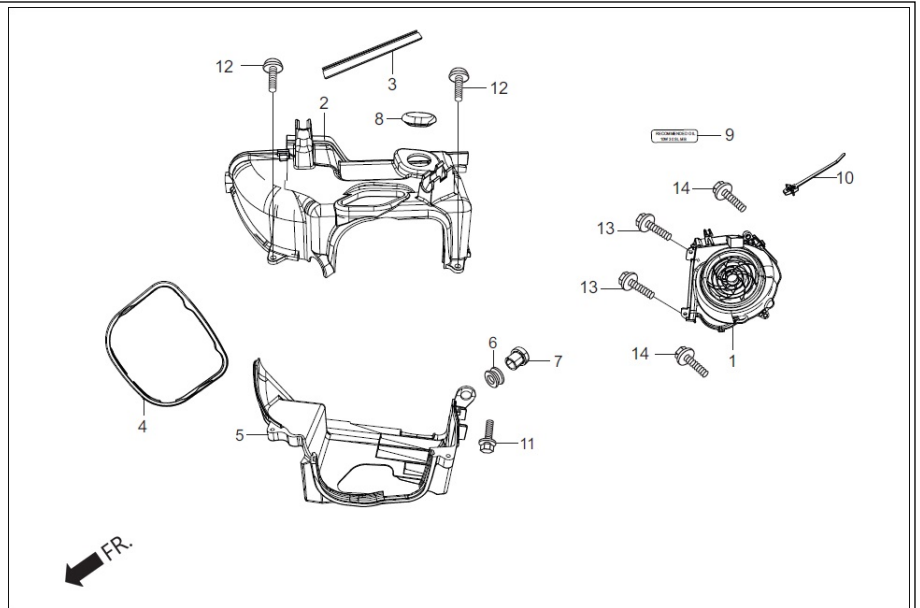


# **PARTS CATALOGUE**

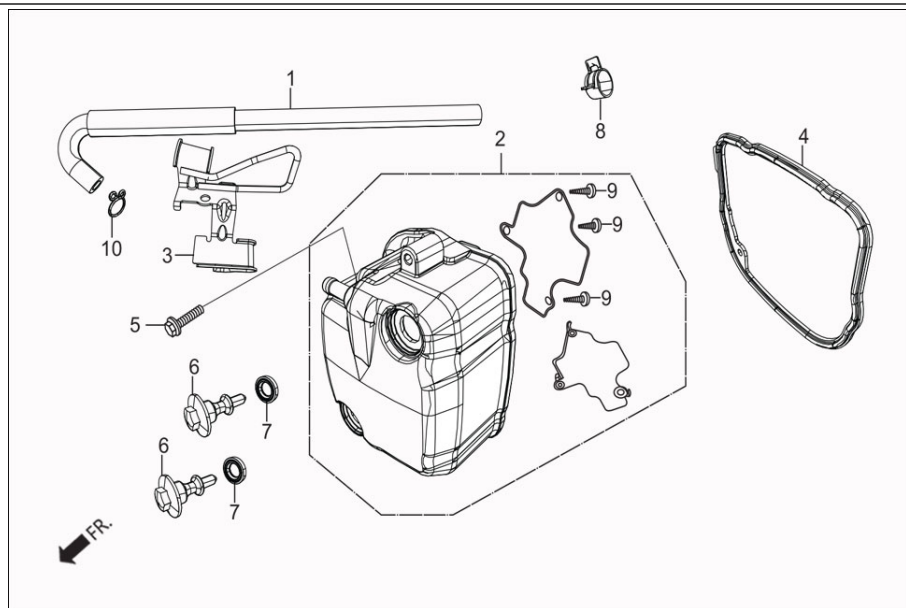
**Dash (Apr, 2020)**

**E-1**  
SHROUD / FAN COVER



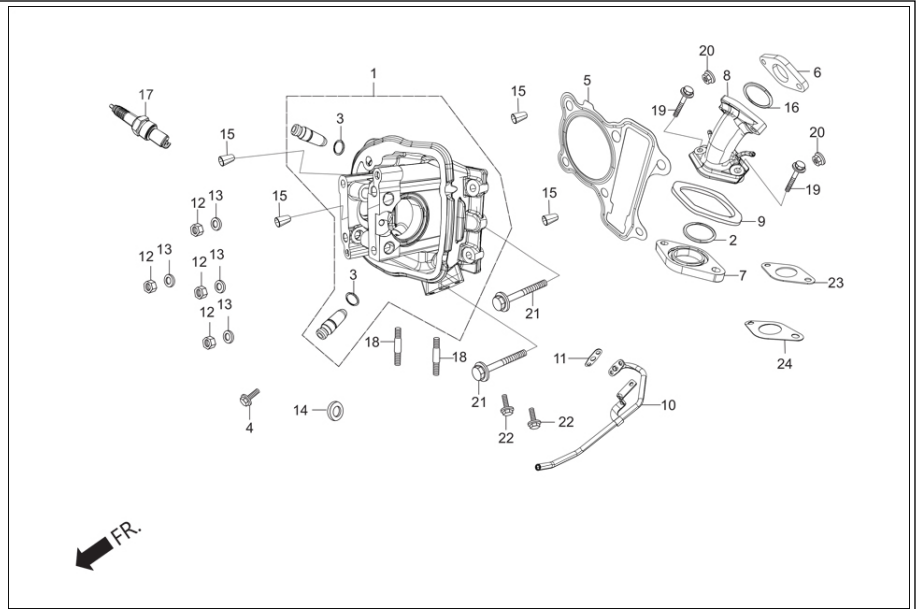
Service Item	F.R.T.	Group Number: E-1 Model :: Dash (Apr, 2020)			
		Ref No.	Part Number	Description	Req.
		1	19610-AAW-000	FAN COVER, COMP.,	1
		2	19621-ABG-000	SHROUD INLET	1
		3	19623-KPL-900	SEAL RUBBER, IN SHROUD	1
		4	19625-ABG-000	SEAL SHROUD.	1
		5	19631-ABG-000	SHROUD EXHAUST.	1
		6	19639-GBC-000	RUBBER , MOUNT	1
		7	33715-ABG-200	COLLAR, T/L SET	1
		8	82871-AAW-000	GROM. DRAIN HOLE	1
			82871-KTP-900	GROMMET., DRAIN HOLE	1
		9	87541-AAW-300	LABEL OIL RECOMMENDATION	1
		10	90672-KPL-901	BODY, CLIP	1
		11	93404-06020-00	BOLT, WASH, 6 X 20	1
		12	93903-25380	SCREW TAPPING 5X16	2
		13	96001-06025-07	BOLT, FLANGE, SH. 6 X 25	2
		14	93904-25380	FLANGE HEX. HEAD TAPPING	2

**E-2**  
CYLINDER HEAD COVER



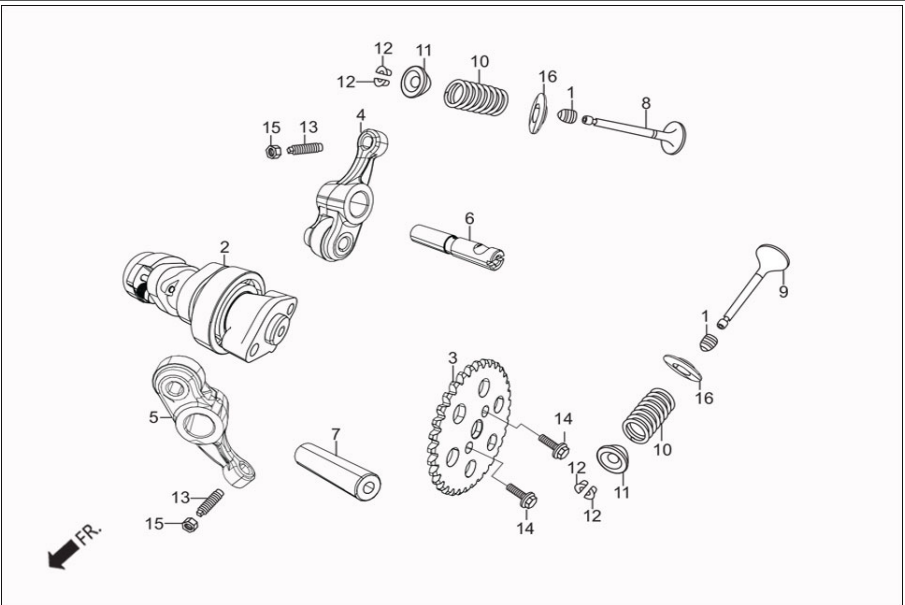
<b>Service Item</b>	<b>F.R.T.</b>	<b>Group Number: E-2 Model :: Dash (Apr, 2020)</b>			
<b>* COVER, COMP. HEAD</b>	<b>0.3</b>	<b>Ref No.</b>	<b>Part Number</b>	<b>Description</b>	<b>Req.</b>
<b>* GASKET, HEAD COVER</b>	<b>--</b>	1	11211-AAW-000	TUBE, BREATHER.	1
		2	12310-ABG-000	COVER COMP. HEAD	1
		3	12315-ABG-000	CLAMPER THROTTLE CABLE	1
		4	12391-ABG-000	GASKET HEAD COVER	1
		5	95701-06014-00	BOLT, FLANGE, 6 X 14	1
		6	90017-KPL-900	BOLT, HEAD COVER	2
		7	90543-MV9-670	RUBBER, MOUNT	2
		8	90602-KPL-900	CLAMP, D12 TUBE	1
		9	93903-34110	SCREW, TAPPING, 4 X 8.	3
		10	95002-02120	CLIP, TUBE(B12)	1

# E-3 CYLINDER HEAD



Service Item	F.R.T.	Group Number: E-3 Model :: Dash (Apr, 2020)		
Ref No.	Part Number	Description	Req.	
1	12200-ABG-000	HEAD COMP CYLINDER	1	
2	91304-GB1-900	O-RING, 25 X 2.4	1	
3	12206-KPL-900	CLIP VALVE GUIDE	2	
4	95701-06014-00	BOLT, FLANGE, 6 X 14	1	
5	12251-ABG-000	GASKET CYLINDER HEAD	1	
6	16211-ABG-000	INSULATOR CARB A	1	
7	16212-AAW-301	INSULATOR CARB B	1	
8	17110-ABG-000	PIPE COMP INLET	1	
9	17113-AAW-000	SEAL, RUBBER INLET PIPE	1	
10	18640-ABG-200	PIPE COMP. AIR FEED	1	
11	18645-MT4-730	GASKET, AIR FEED PIPE	1	
12	90201-GCC-000	NUT HEX., 7MM	4	
13	90401-GCC-000	WASHER 7.2X16X2.5	4	
14	90402-AAW-000	WASHER 6MM	1	
15	90701-GF6-000	PIN, DOWEL, 8 X 14	4	
16	91304-ABG-000	O RING 26X2.4	1	
17	31916-KPH-90099	SPARK PLUG	1	
18	92900-06016-0B	BOLT, STUD, 6X16	2	
19	95701-06025-00	BOLT, FLANGE, 6X 25	2	
20	94050-06000	NUT, FLANGE, 6 MM	2	
21	95701-06100-00	BOLT FLANGE 6X100	2	
22	96001-06016-00	BOLT, FLANGE SH. 6 X 16	2	
23	16229-ABG-000	GASKET CARB INSULATOR A	1	
24	16201-AAW-300	GASKET CARB. INSULATOR B	1	

**E-4**  
CAMSHAFT/VALVE

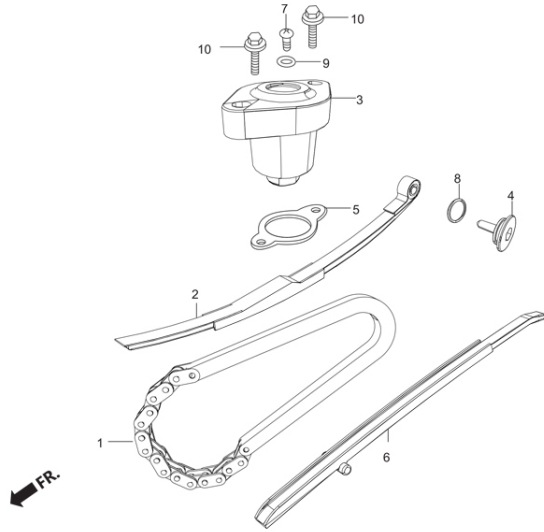




<b>Service Item</b>	<b>F.R.T.</b>	<b>Group Number: E-4 Model :: Dash (Apr, 2020)</b>			
		<b>Ref No.</b>	<b>Part Number</b>	<b>Description</b>	<b>Req.</b>
* SPROCKET, CAM	0.6	1	12208-ABG-000	SEAL VALVE STEM	2
* ARM, VALVE ROCKER (SAME TIME FOR TWO UNITS)	0.8 --	2	14100-ABG-000	SHAFT COMP CAM	1
* SHAFT COMP., CAM	1.1	3	14321-AAL-000	SPROCKET CAM	1
* SPRING, VALVE (ADD. 0.1 FOR EACH)	*1.7 --	4	14430-ABG-000	ARM COMP IN VALVE ROCKER	1
(INC. RELATIVE PART)	--	5	14440-ABG-000	ARM COMP EXH VALVE ROCKER	1
* VALVE (ADD 0.2 FOR EACH)	*1.8 --	6	14451-ABG-000	SHAFT IN ROCKER ARM	1
(INC. REFACING)	--	7	14461-GCC-000	SHAFT EX., ROCKER ARM	1
(EXC. VALVE GUIDE REPLACEMENT)	--	8	14711-ABG-000	VALVE INLET	1
		9	14721-ABG-000	VALVE EXHAUST	1
		10	14751-ABG-000	SPRING VALVE	2
		11	14771-ABG-000	RETAINER VALVE SPRING	2
		12	14781-ABG-000	COTTER VALVE	4
		13	90012-333-000R	SCREW, TAPPET ADJUSTING	2
		14	90083-KRM-840	BOLT, KNOCK, 5 MM	2
		15	90206-001-000	NUT, TAPPET ADJUSTING	2
		16	14777-KN7-670	SEAT, VALVE SPRING	2

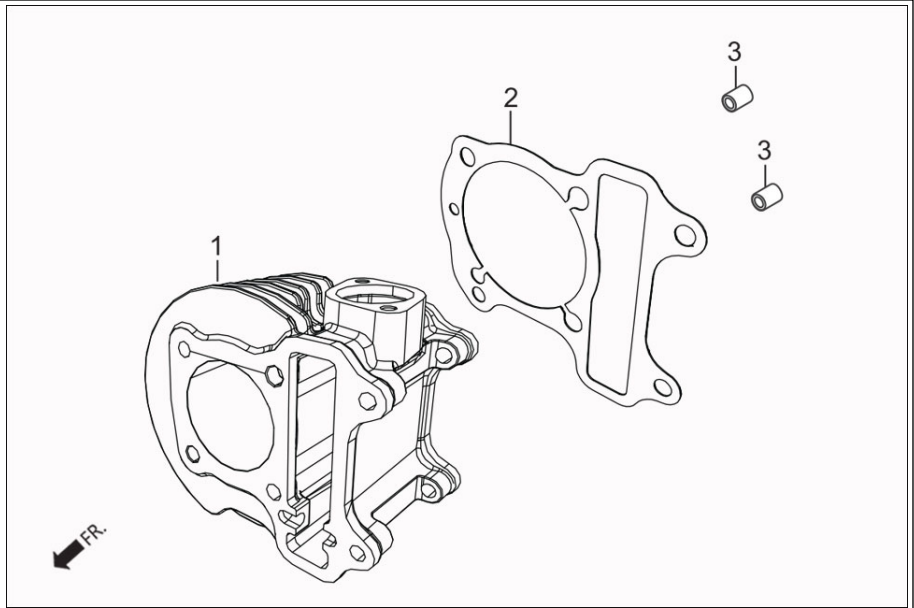
# E-5

## CAM CHAIN/TENSIONER



Service Item	F.R.T.	Group Number: E-5 Model :: Dash (Apr, 2020)			
		Ref No.	Part Number	Description	Req.
		1	14401-AAW-00099	CHAIN CAM	1
		2	14510-AAW-000	TENSIONER COMP CAM CHAIN	1
		3	14520-KPL-840	LIFTER ASSY., TENSIONER	1
		4	14531-GCC-000	PIVOT CAM CHAIN TENSIONER	1
		5	14560-KCW-880	GASKET TENSIONER LIFTER	1
		6	14611-AAW-000	GUIDE, CAM CHAIN	1
		7	90005-KY7-000	SCREW, PAN, 6X6	1
		8	91301-HM5-630	O-RING, 15.2 X 1.5	1
		9	91306-105-690	O-RING, 1.5 X 9.5	1
		10	95701-06022-00	BOLT, FLANGE, SH. 6 X 22	2

**E-6**  
CYLINDER

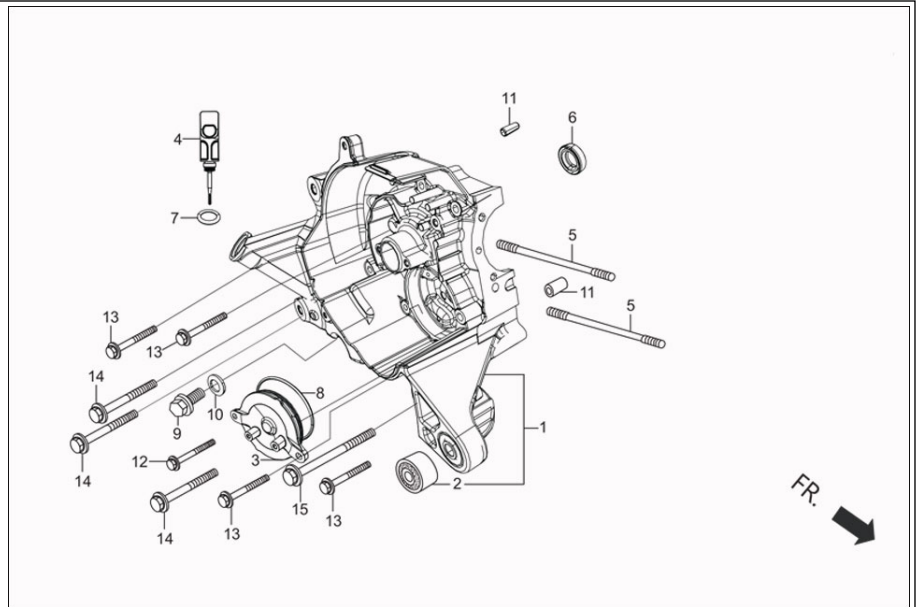


Service Item	F.R.T.
*GASKET, CYLINDER	*1.8
* CYLINDER	*1.9

Group Number: E-6 Model :: Dash (Apr, 2020)

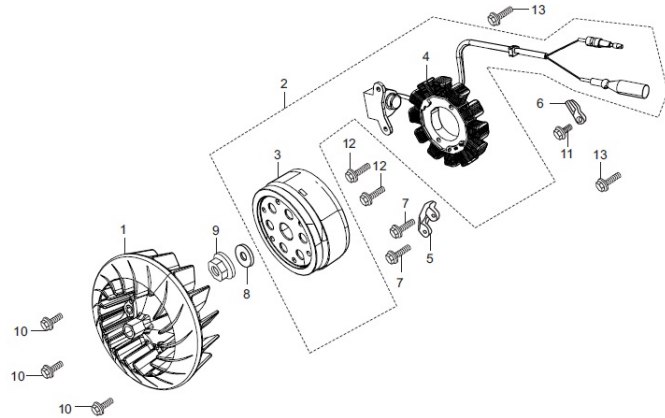
Ref No.	Part Number	Description	Req.
1	12100-ABG-000	CYLINDER	1
2	12191-AAL-00099	GASKET CYLINDER	1
3	90701-GF6-000	PIN, DOWEL, 8 X 14	2

**E-7**  
RIGHT CRANK CASE



<b>Service Item</b>	<b>F.R.T.</b>	<b>Group Number: E-7 Model :: Dash (Apr, 2020)</b>			
*CRANKCASECOMP.,R	*3.7	<b>Ref No.</b>	<b>Part Number</b>	<b>Description</b>	<b>Req.</b>
		1	11100-ABG-200	CRANK CASE COMP. RIGHT	1
		2	11103-AAW-000	RUB. BUSH ENG. HANGER	1
		3	11361-AAW-000	COV. OIL PUMP	1
		4	15651-AAW-000	GAUGE, OIL LEVEL	1
		5	90031-ABG-200	BOLT A STUD 7X191.5	2
		6	91201-KPL-901	OIL SEAL, 16X26X7	1
		7	91307-035-000	O-RING,18 X 3	1
		8	91307-639-000	O-RING, 64X2	1
		9	92800-12000-00	DRAIN PLUG BOLT	1
		10	94109-12000	WASHER, PLUG, DRAIN	1
		11	94301-08200	DOWEL PIN, 8X20	2
		12	95701-06022-00	BOLT, FLANGE, SH. 6 X 22	1
		13	95701-06055-00	BOLT FLANGE 6X55	4
		14	95701-06080-00	BOLT FLANGE 6X80	3
		15	95701-06115-00	BOLT FLANGE 6X115	1

# E-8 GENERATOR

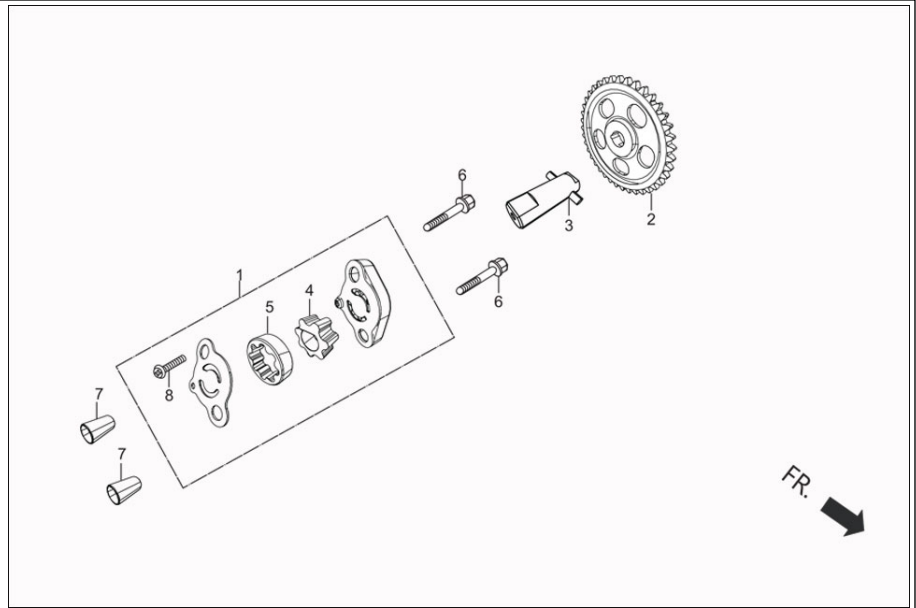


FR. 

<b>Service Item</b>	<b>F.R.T.</b>	<b>Group Number: E-8 Model :: Dash (Apr, 2020)</b>			
		<b>Ref No.</b>	<b>Part Number</b>	<b>Description</b>	<b>Req.</b>
* FAN COMP., COOLING	0.3	1	19510-KTP-900	FAN COMP., COOLING	1
* FLY WHEEL COMP.	0.5	2	31100-ABG-201	AC GEN ASSY	1
* STATOR, COMP.,	0.7	3	31110-ABG-201	FLYWHEEL COMP.,	1
		4	31120-AAW-301	STATOR COMP	1
		5	32907-KPL-900	CLIP, ACG CORD	1
		6	32976-107-010	CLAMPER, WIRE HARNESS	1
		7	90083-KRM-840	BOLT, KNOCK, 5 MM	2
		8	90410-GCC-000	WASHER, 10 MM	1
		9	94050-10000	NUT, FLANGE, 10MM	1
		10	95701-06016-00	BOLT, FLANGE, 6X16	3
		11	96001-06016-00	BOLT, FLANGE SH. 6 X 16	1
		12	96001-06035-00	BOLT, FLANGE, SH. 6 X 35	2
		13	96001-06022-00	BOLT, FLANGE, SH. 6 X 22	2



## E-9 OIL PUMP

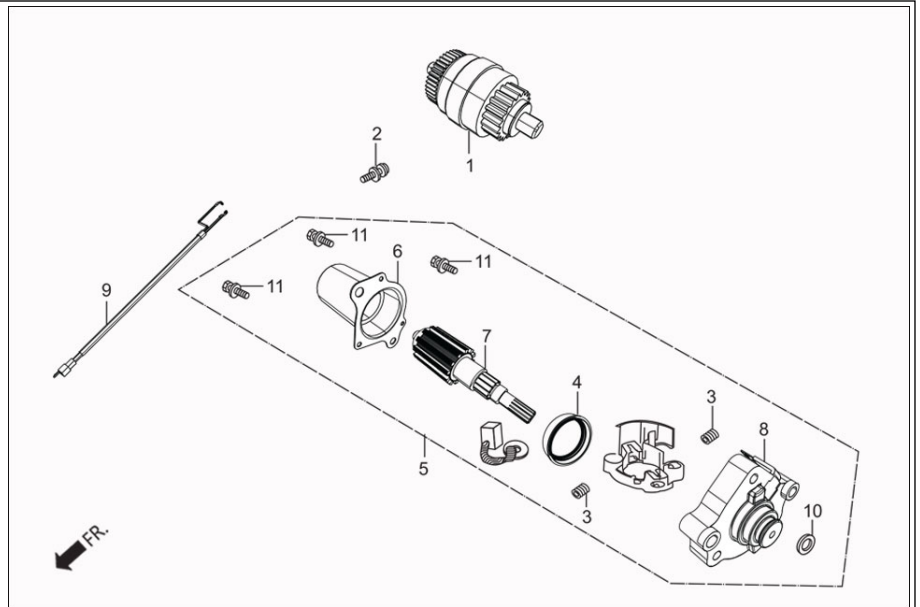


Service Item	F.R.T.
*GEAR, OIL PUMP DRIVEN	0.6
* OIL PUMP ASSY., .	0.8
(INC. RELATIVE PART)	--

**Group Number: E-9 Model :: Dash (Apr, 2020)**

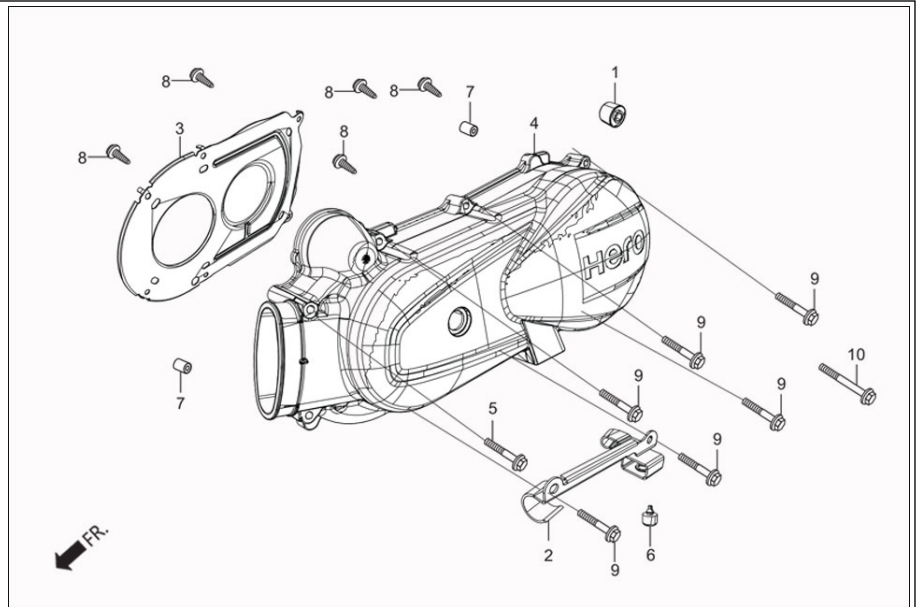
Ref No.	Part Number	Description	Req.
1	15100-AAW-000	OIL PUMP ASSY	1
2	15133-AAW-000	GEAR, OIL PUMP DRIVEN	1
3	15135-AAW-000	SHAFT COMP OIL PUMP	1
4	15331-436-000	ROTOR, OIL PUMP INNER	1
5	15332-436-000	ROTOR, OIL PUMP OUTER	1
6	90001-KPL-900	BOLT, HEX., 6X30	2
7	90701-GF6-000	PIN, DOWEL, 8 X 14	2
8	93901-34120	SCREW, TAPPING, 4X8	1

**E-10**  
STARTING MOTOR



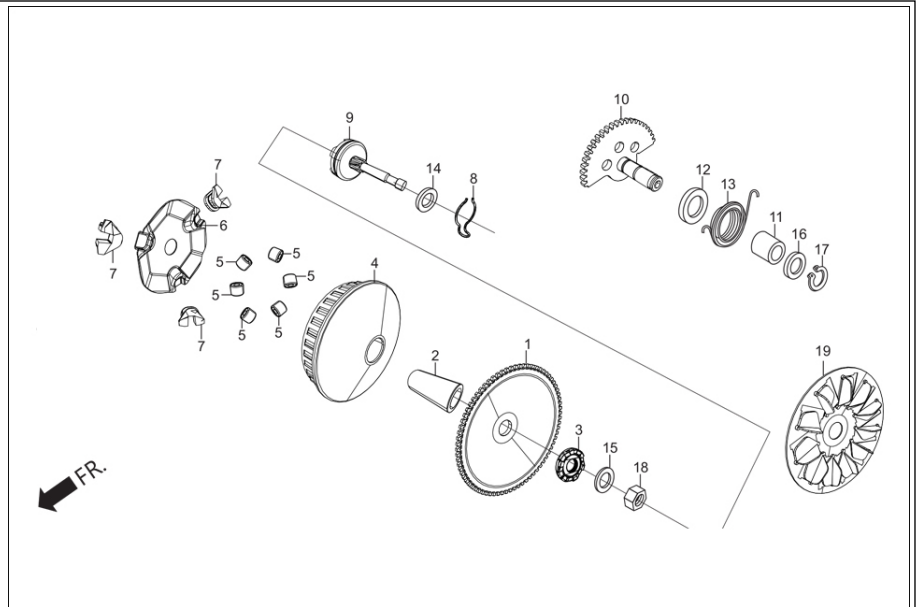
<b>Service Item</b>	<b>F.R.T.</b>	<b>Group Number: E-10 Model :: Dash (Apr, 2020)</b>			
* HARNESS COMP., ST. MOTOR	0.4	<b>Ref No.</b>	<b>Part Number</b>	<b>Description</b>	<b>Req.</b>
* HOLDER COMP., ST. PINION	--	1	28120-KPL-901	PINION ASSY., STARTER	1
* MOTOR COMP., STARTER	--	2	93892-04006-08L	SCREW WASH 4X6	1
* PINION ASSY., STARTER	0.5	3	31204-KTP-890	SPRING BRUSH (M/S-LUCAS TVS)	2
* ARMATURE	0.6	4	31206-KTP-890	PACKING (M/S-LUCAS TVS)	1
* BRKT. COMP., FR.	--	5	31210-AAW-00099	MOTOR UNIT START	1
		6	31211-AAW-001	YOKE ASSEMBLY (M/S-LUCAS TVS)	1
		7	31212-KTP-890	ARMATURE (M/S-LUCAS TVS)	1
		8	31214-AAW-001	MOUNTING BRKT. COMP. (M/S-LUCAS TVS)	1
		9	32105-KTP-891	HARNESS COMP. STARTER MOTOR (M/S-LUCAS TVS)	1
		10	91309-KTP-890	O-RING (M/S-LUCAS TVS)	1
		11	93412-05012-08	BOLT WASH.5X12	3

**E-11**  
LEFT CRANK CASE COVER



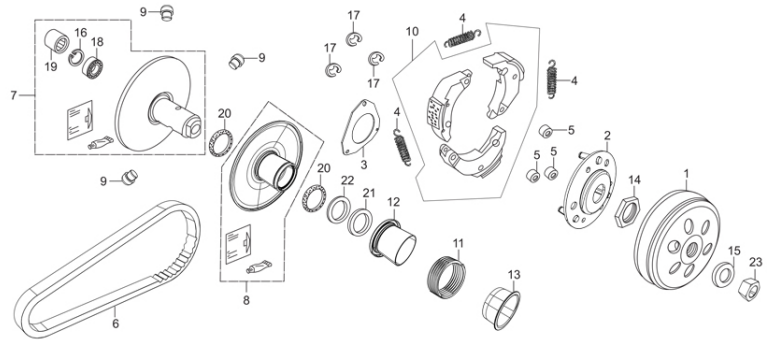
<b>Service Item</b>	<b>F.R.T.</b>	<b>Group Number: E-11 Model :: Dash (Apr, 2020)</b>			
		<b>Ref No.</b>	<b>Part Number</b>	<b>Description</b>	<b>Req.</b>
*GASKET, LCOVER	0.4	1	11103-AAW-000	RUB. BUSH ENG. HANGER	1
* PLATE, LCOVER	--	2	11230-ABG-000	CLAMPER, COMP., RR. BRK. CABLE	1
* COVER, LSIDE	0.5	3	11341-AAL-500	PLATE L. COVER	1
		4	11340-AAW-300	COVER COMP. LEFT SIDE	1
		5	96001-06070-00	BOLT, FLANGE, SH., 6X70	1
		6	50501-KTP-900	STOPPER RUBBER	1
		7	90701-GF6-000	PIN, DOWEL, 8 X 14	2
		8	93903-34110	SCREW, TAPPING, 4 X 8.	5
		9	96001-06035-00	BOLT, FLANGE, SH. 6 X 35	6
		10	96001-06055-00	BOLT FLANGE SH 6X55	1

**E-12**  
DRIVE FACE



<b>Service Item</b>	<b>F.R.T.</b>	<b>Group Number: E-12 Model :: Dash (Apr, 2020)</b>			
* GEAR COMP., KICK DRIVEN	0.4	<b>Ref No.</b>	<b>Part Number</b>	<b>Description</b>	<b>Req.</b>
* FACE COMP., DRIVE	0.5	1	22102-AAL-500	FACE COMP DRIVE	1
* FACE COMP., MOVABLE DRIVE	--	2	22105-AAW-300	BOSS DRIVE	1
* ROLLER SET, WEIGHT	--	3	22109-AAL-500	RATCHET STARTER	1
(INC. RELATIVE PART)	--	4	22110-AAW-300	FACE COMP MOVABLE DRIVE	1
* SPINDLE COMP., KICK STARTER	--	5	22121-ABG-200	ROLLER, COMP., WEIGHT 12GR	6
(INC. RELATIVE PART)	--	6	22131-AAW-300	PLATE RAMP	1
* SPRING, KICK RETURN	--	7	22132-AAL-500	PIECE SLIDE	3
		8	28223-GCC-000	SPG., KICK DRIVEN GEAR	1
		9	28230-AAL-500	GEAR COMP KICK DRIVEN	1
		10	28250-AAL-500	SPINDLE COMP KICK STARTER	1
		11	28253-KVT-900	BUSH, KICK SPINDLE	1
		12	28255-KPL-900	COLLAR, KICK BOSS	1
		13	28281-GCC-000	SPRING, KICK RETURN	1
		14	90412-329-000	WASHER, THRUST, 10MM	1
		15	90426-KVB-900	WASHER SPECIAL 14MM	1
		16	90451-KVT-900	WASHER, KICK SPINDLE	1
		17	90608-KVT-901	CIRCLIP, EX., 16	1
		18	94030-14200	NUT HEX 14 MM	1
		19	22113-AAW-300	FIN DRIVE FACE	1

**E-13**  
DRIVEN FACE

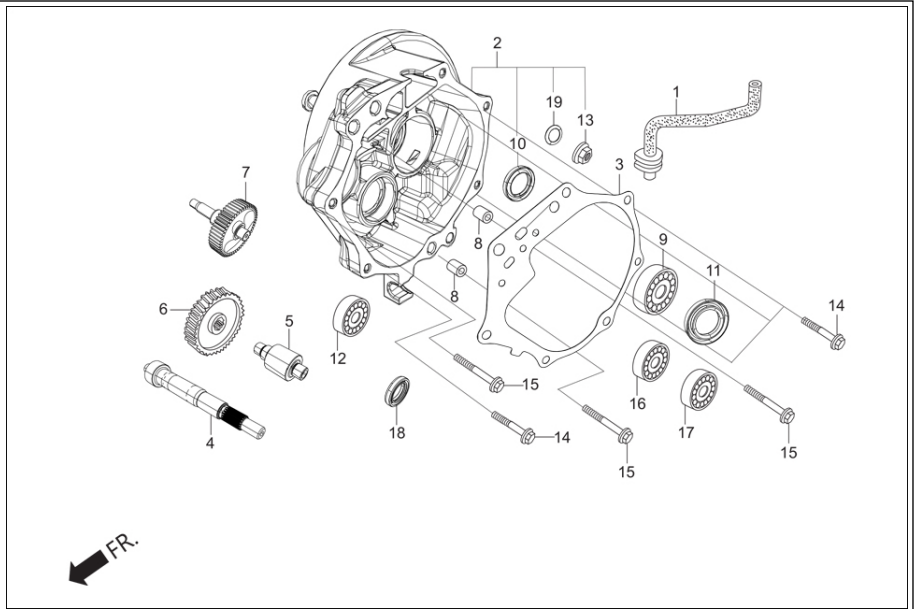


FR.



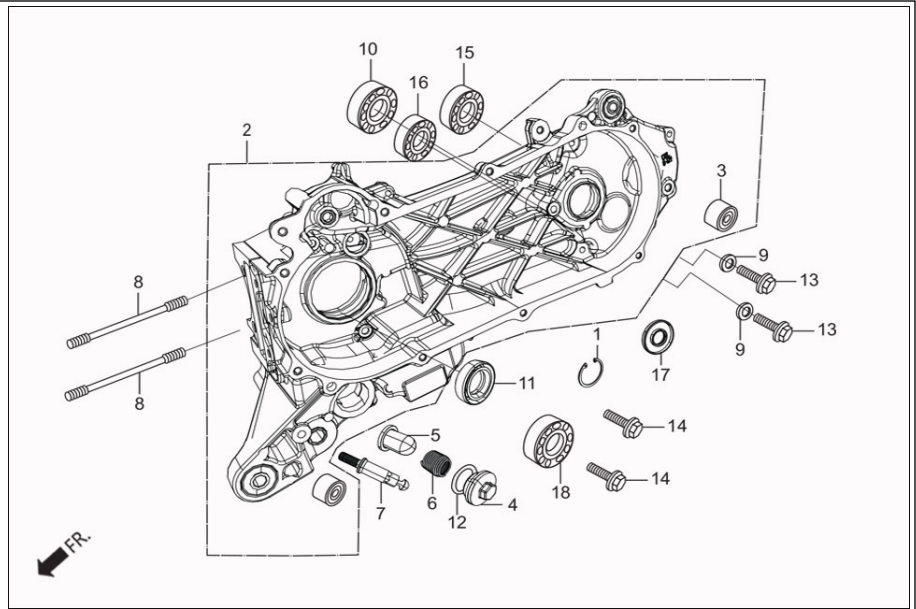
Service Item	F.R.T.	Group Number: E-13 Model :: Dash (Apr, 2020)			
		Ref No.	Part Number	Description	Req.
		1	22100-AAW-300	OUTER COMP., CLUTCH	1
		2	22350-KWP-900	PLATE COMP., DRIVE	1
		3	22361-GFM-900	PLATE CLUTCH SIDE	1
		4	22401-AAW-000	SPRING, CLUTCH	3
		5	22804-148-000	RUBBER, CLUTCH DAMPER	3
		6	23100-AAL-500	BELT DRIVE	1
		7	23205-AAW-300	FACE SET DRIVEN	1
		8	23224-AAW-300	FACE SET MOVABLE DRIVEN	1
		9	23225-AAW-301	PIN, ROLLER, GUIDE	3
		10	22535-AAW-000	WEIGHT SET CLUTCH	1
		11	23233-ABG-200	SPG DRIVEN FACE	1
		12	23237-AAW-300	COLLAR SEAL	1
		13	23238-AAW-300	COLLAR SPG.	1
		14	90202-KPL-900	NUT SPECIAL 28MM	1
		15	90441-AAW-000	WASHER, 12.2X29X2.3	1
		16	90601-KWP-900	CIRCLIP, INT.28 MM	1
		17	90605-166-720	CIRCLIP 7MM	3
		18	91009-KVY-961	BRG BALL RADIAL 6902U	1
		19	91109-KVY-901	BRG NEEDLE 20X29X18	1
		20	91211-GK8-013	OIL SEAL 34X39X3	2
		21	91351-642-000	O-RING, PINION CAP	1
		22	91351-GR1-000	O-RING-38.5X2	1
		23	94030-12200	NUT HEX. 12 MM	1

**E-14**  
CASE MISSION / TRANSMISSION



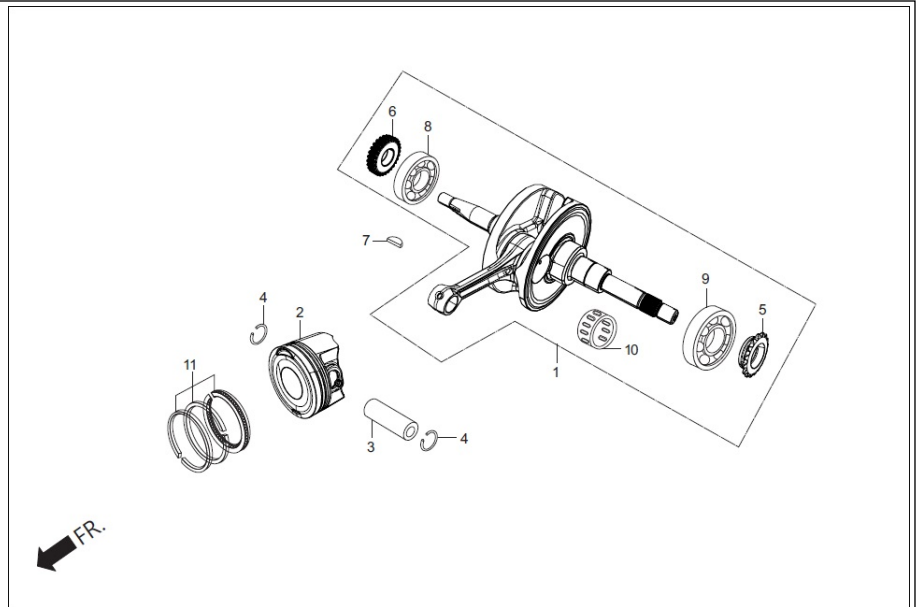
Service Item	F.R.T.	Group Number: E-14 Model :: Dash (Apr, 2020)			
		Ref No.	Part Number	Description	Req.
		1	11220-GCC-000	TUBE, MISSION, BREATHER	1
		2	2120A-AAW-000	CASE COMP. MISSION SUB ASSY	1
		3	21395-AAW-000	GASKET MISSION CASE	1
		4	23411-AAW-300	SHAFT DRIVE	1
		5	23421-ABG-200	SHAFT COUNTER	1
		6	23422-GCC-000	GEAR COUNTER	1
		7	23430-ABG-200	GEAR COMP. FINAL.	1
		8	90701-GF6-000	PIN, DOWEL, 8 X 14	2
		9	91009-KVY-961	BRG BALL RADIAL 6902U	1
		10	91203-KPL-901	OIL SEAL 14X20X3.2	1
		11	91255-KPL-901	OIL SEAL 27X42X7	1
		12	91009-GW3-980	BEARING, BALL, RADIAL, 6004UU	1
		13	94050-08000	NUT, FLANGE, 8MM	1
		14	95701-06030-00	BOLT, FLANGE, 6X30	4
		15	95701-06040-00	BOLT FLANGE 6X40	3
		16	96100-63010-00	BRG.BALL RADIAL 6301	1
		17	96100-62010-00	BEARING, RADIAL BALL, 6201	1
		18	91204-AAW-000	OIL SEAL, 20X32X6	1
		19	91301-053-000	ORING 7.5X1.5	1

**E-15**  
LEFT CRANK CASE



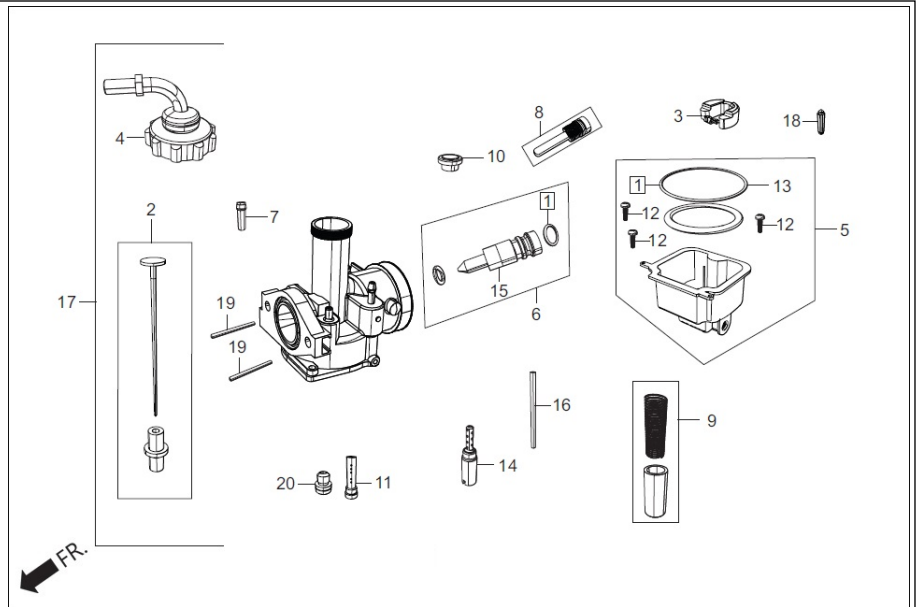
<b>Service Item</b>	<b>F.R.T.</b>	<b>Group Number: E-15 Model :: Dash (Apr, 2020)</b>			
		<b>Ref No.</b>	<b>Part Number</b>	<b>Description</b>	<b>Req.</b>
* SCREEN, OIL FILTER	0.1	1	94520-52150	CIRCLIP, INT.52	1
* BEARING, RADIALBALLSPL, 6203 (ADD 0.1 FOR EACH )	--	2	11200-ABG-200	CRANK CASE COMP LEFT	1
* BEARING, RADIAL BALL, 6201	--	3	11203-AAW-000	UNDER RUBBER BUSH REAR CUSHION	1
* BEARING, RADIALBALL, 6202	--	4	12361-035-000	CAP, TAPPET ADJUSTING HOLE	1
*CRANKCASE COMP., L	*4.5	5	15421-107-000	SCREEN, OIL FILTER	1
		6	15426-KCW-880	SPRING, OIL FILTER SCREEN	1
		7	90008-KPL-900	BOLT, MAIN STAND SPRING	1
		8	90032-ABG-200	BOLT B STUD 7X196.5.	2
		9	90474-333-000	WASHER, 8MM	2
		10	90912-KPL-900	BEARING BALL RADIAL 6201(U)	1
		11	91201-KPL-901	OIL SEAL, 16X26X7	1
		12	91302-001-020	O-RING, 30.8 MM	1
		13	95701-08012-00	BOLT,FLANGE, 8X12	2
		14	96001-06070-00	BOLT, FLANGE, SH., 6X70	2
		15	96100-62010-00	BEARING, RADIAL BALL, 6201	1
		16	96100-62020-00	BEARING, RADIAL BALL, 6202	1
		17	91202-KTP-900	OIL SEAL, 20.8X52X6	1
		18	91004-ABG-000	BRG. BALL RADIAL 6204 AB	1

**E-16**  
CRANK SHAFT/PISTON



Service Item	F.R.T.	Group Number: E-16 Model :: Dash (Apr, 2020)		
Ref No.	Part Number	Description	Req.	
1	13000-ABG-000	CRANKSHAFT COMP	1	
2	13101-ABS-201	PISTON	1	
3	13111-087-000	PIN, PISTON	1	
4	13115-001-000	CLIP, PISTON PIN	2	
5	14311-KPL-900	SPROCKET, TIMING	1	
6	15131-KPL-900	GEAR, OIL PUMP DRIVE	1	
7	90741-KPL-900	KEY, WOODRUFF	1	
8	91001-GCC-000	BRG., BALL RADIAL, 6205Z	1	
9	91002-GCC-000	BRG., BALL RADIAL, 6007	1	
10	91101-ABG-000	BRG, CONNECTING ROD (RED)	1	
	91102-ABG-000	BRG, CONNECTING ROD (BLUE).	1	
	91103-ABG-000	BRG, CONNECTING ROD (WHITE)	1	
11	13011-AAN-410	RING SET PISTON STD	1	

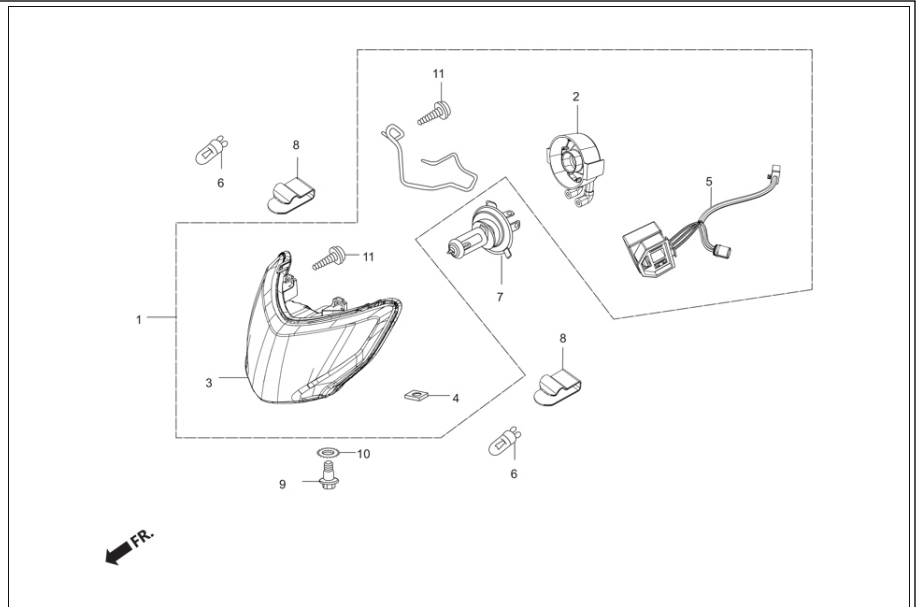
# E-17 CARBURETTOR





Service Item	F.R.T.	Group Number: E-17 Model :: Dash (Apr, 2020)			
		Ref No.	Part Number	Description	Req.
		1	16010-AAW-301	GASKET SET	1
		2	16012-ABS-000	NEEDLE SET JET.	1
		3	16013-AAW-301	FLOAT SET	1
		4	16014-AAW-301	TOP CAP SET	1
		5	16015-ABS-000	CHAMBER SET FLOAT	1
		6	16016-AAW-301	SCREW SET A	1
		7	16027-AAW-301	FILTER	1
		8	16028-ABS-000	SCREW SET B	1
		9	16029-ABS-000	VALVE SET PISTON	1
		10	16030-AAW-301	CAP	1
		11	16032-ABS-001	JET HOLDER	1
		12	16033-ABS-000	SCREW	3
		13	16034-AAW-301	O-RING	1
		14	99103-AAW-301	PILOT JET	1
		15	16035-ABS-000	HOSE	1
		16	16036-AAW-301	HOSE	1
		17	16100-ABS-000	CARBURETTOR ASSY	1
		18	16131-ABS-000	NEEDLE VALVE ASSY	1
		19	90033-AAW-300	STUD BOLT	2
		20	99101-ABS-000	MAIN JET	1

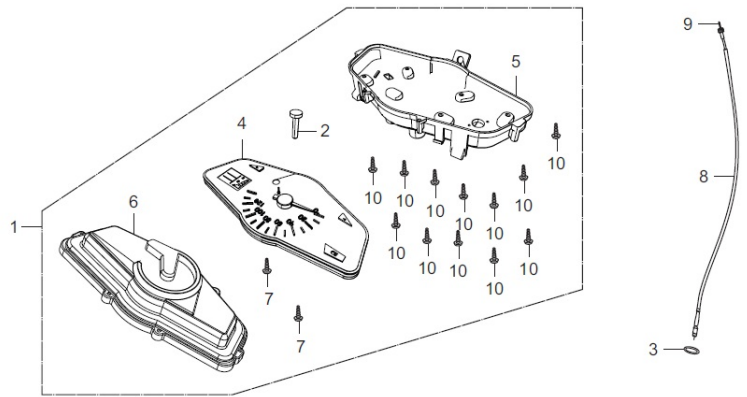
**F-1**  
HEAD LIGHT



Service Item	F.R.T.	Group Number: F-1 Model :: Dash (Apr, 2020)			
		Ref No.	Part Number	Description	Req.
		1	3310B-AAW-10099	LIGHT ASSY HEAD(W/O BULB)	1
		2	33112-KTN-921	SOCKET COVER	1
		3	33120-AAW-00099	UNIT,HEAD LIGHT	1
		4	33128-GBL-000	NUT, SPECIAL	1
		5	33130-AAW-101	SOCKET COMP POSITION LIGHT	1
		6	34351-AAB-401	BULB (12VW5W) E MARK	2
		7	34901-KSP-910	BULB, HEAD LIGHT	1
			34901-KSP-910	BULB, HEAD LIGHT	1
			34901-KSP-910	BULB, HEAD LIGHT	1
			34901-AAM-001	BULB HS1 HEAD LIGHT	1
		8	53209-GAH-000	CLIP, HEADLIGHT	2
		9	90101-GJ6-000	BOLT, ADJUST	1
		10	90307-GJ6-000	WASHER, LOCK, 6 MM	1
		11	93901-34310	SCREW TAPPING 4X12	1

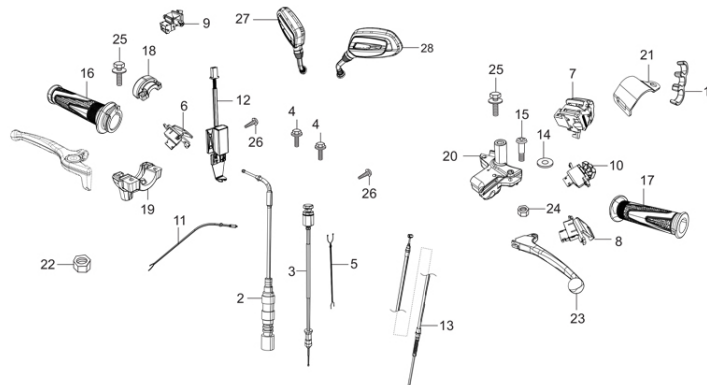
# F-2 METER

FR. ←



Service Item	F.R.T.	Group Number: F-2 Model :: Dash (Apr, 2020)			
		Ref No.	Part Number	Description	Req.
		1	37200-ABG-301	SPEEDOMETER ASSY	1
		2	37202-AAW-001	KEY TOP	1
		3	91352-GAZ-930	O-RING 8.5X11.5	1
		4	37210-ABG-301	SPEEDOMETER COMP	1
		5	37212-AAW-001	CASE UNDER ASSY.	1
		6	37213-ABG-201	LENS ASSY.	1
		7	90035-GW3-980	SCREW, WASH , SPL.4X10	2
		8	44830-AAW-300	CABLE COMP SPDMT	1
		9	44831-KTP-900	CABLE INNER	1
		10	93903-22480	SCREW TAPPING 3 X 16	12

**F-3**  
HANDLE LEVER/SWITCH/CABLE

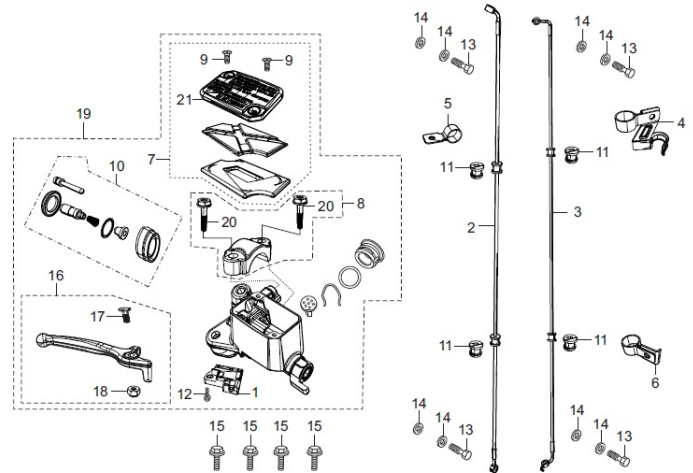


FR.

Service Item	F.R.T.	Group Number: F-3 Model :: Dash (Apr, 2020)			
		Ref No.	Part Number	Description	Req.
		1	16213-AAW-000	CABLE RETAINER	1
		2	17910-ABS-00099	CABLE COMP. THROTTLE	1
		3	17950-AAW-300	CABLE COMP. CHOKE	1
		4	95701-05016-00	BOLT FLANGE 5X16	2
		5	32102-ABG-000	SUB CORD	1
		6	35160-AAW-001	SW UNIT START	1
		7	35170-AAW-001	SW UNIT DIMMER	1
		8	35180-AAW-001	SW UNIT HORN	1
		9	35190-ABG-201	SW UNIT I3S	1
		10	35200-AAW-001	SW UNIT WINKER	1
		11	35340-KTP-890	SWITCH ASSY., FR. STOP	1
		12	35380-ABS-001	SW ASSY THROTTLE I3S	1
		13	43450-ABG-010	CABLE COMP., RR. BRK	1
		14	94103-05800	WASHER,PLAIN, 5.5MM	1
		15	90115-KPL-900	SCREW, HNDL LEVER PIVOT	1
		16	53140-AAW-000	GRIP COMP., THROT.	1
		17	53166-AAW-000	GRIP L HANDLE	1
		18	53167-ABG-010	HOUSING, UPP., THROT	1
		19	53168-ABG-010	HOUSING, UND., THROT	1
		20	53172-ABG-000	BRKT., HANDLE	1
		21	53173-KPL-900	BAND, HANDLE BRKT	1
		22	94002-10070-0S	NUT, HEX., 10MM	1
		23	53178-AAL-100	LEVER L HANDLE	1
		24	90304-KPL-900	NUT HEX 5 MM	1
		25	93401-06020-00	BOLT, WASHER, 6 X 20	2
		26	93500-05020-0G	SCREW, PAN, 5 X 20	2
		27	88110-ABG-200	MIRROR ASSY., R BACK	1
		28	88120-ABG-200	MIRROR ASSY., L BACK	1

**F-3A**  
FRONT BRAKE MASTER CYL.

← FR.

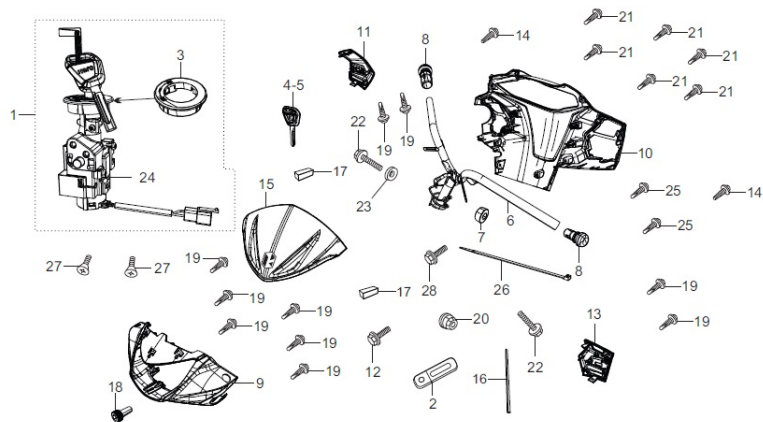




Service Item	F.R.T.	Group Number: F-3A Model :: Dash (Apr, 2020)		
Ref No.	Part Number	Description	Req.	
1	35340-KCC-841	SW. ASSY. FR. STOP.	1	
2	45120-ABG-010	HOSE COMP-A, SB. FR. BRAKE	1	
3	45128-ABG-010	HOSE COMP-B, SB. FR. BRAKE	1	
4	45152-ABG-010	CLAMPER E, FR. BRAKE	1	
5	45156-ABG-010	CLAMPER A, FR BRAKE	1	
6	45159-ABG-010	CLAMPER D, FR.BRAKE	1	
7	45502-ABG-010	CAP SET	1	
8	45509-ABG-010	CLAMP SET	1	
9	45519-ABG-010	FLAT SCREW	2	
10	45530-ABG-010	CYLINDER SET MASTER	1	
11	46427-AAB-A00	RUBBER HOSE CLAMP	4	
12	90112-KCC-841	SCREW,PAN,4X8	1	
13	90145-MS9-610	OIL BOLT, 10 X 22	4	
14	90545-300-000	WASHER ,OIL BOLT	8	
15	96001-06010-07	BOLT FLANGE, SH., 6 X 10	4	
16	45508-ABG-010	LEVER SET	1	
17	90114-ABG-010	BOLT HANDLE LEVER	1	
18	90303-KCC-841	NUT	1	
19	45500-ABG-010	MASTER CYL.ASSY.FR.	1	
20	90111-KCC-841	BOLT,FLANGE 6 X 25	2	
21	45513-KCC-841	CAP, MASTER CYLINDER	1	

**F-4**  
STEERING HANDLE / HANDLE COVER

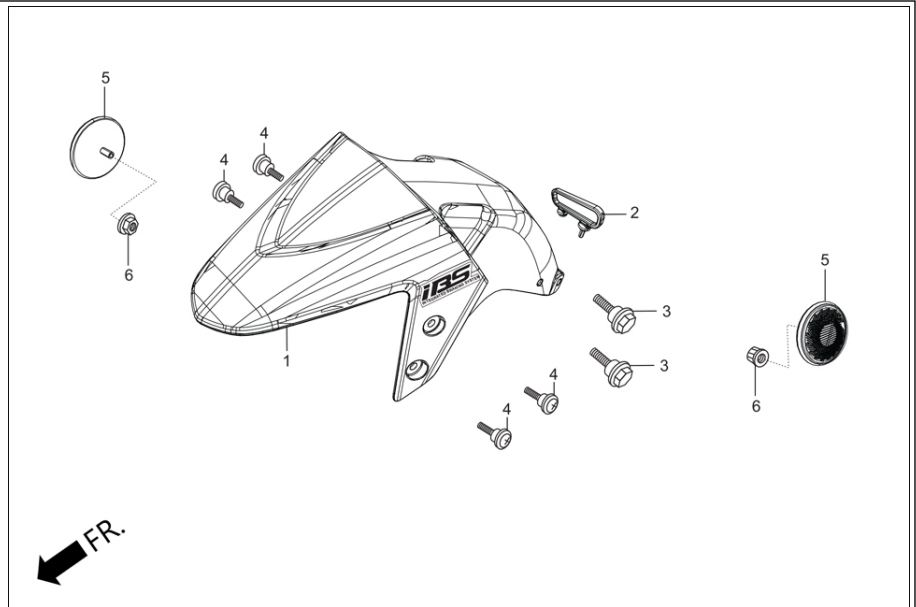
FR.



Service Item	F.R.T.	Group Number: F-4 Model :: Dash (Apr, 2020)		
Ref No.	Part Number	Description	Req.	
1	35010-AAW-301	KEY SET	1	
2	80107-AAY-000	CLIP 0.5X50	1	
3	35103-AAW-001	DUMMY CAP	1	
4	35121-AAW-001	KEY BLANK NO. 1	1	
5	35121-AAW-011	KEY BLANK NO. 1	1	
6	53100-AAW-500	HANDLE COMP STRG.	1	
7	53124-ABS-000	COLLAR, HANDLE SET	1	
8	53155-AAW-000	END STRG HANDLE	2	
9	53205-ABG-200R	COVER HANDLE FR. (MATT MAPPLE BROWN RD (D)-002M (F))	1	
	53205-ABG-200S	COVER HANDLE FR. (MATT VERNIER GREY SG-013M)	1	
	53205-ABG-200T	COVER HANDLE FR. (MATT TECHNO BLUE BL (BR)-003M (F))	1	
	53205-ABG-200U	COVER HANDLE FR. (MATT CANDY BLAZING RED RD (BR)-001C (F))	1	
	53205-AAW-A00T	COVER HANDLE FR. (PANTHER BLACK ME.)	1	
10	53206-AAW-000	COV. HANDLE RR	1	
11	53218-ABG-200	COVER HANDLE R RR.	1	
12	95801-10055-00	BOLT, FLANGE, 10X55	1	
13	53228-ABG-200	COVER HANDLE L RR.	1	
14	93903-25180	SCREW, TAPPING, 5 X 10	2	
15	61140-ABG-300R	SET ILLUSTR VISOR (MATT MAPPLE BROWN RD (D)-002M (F))	1	
	61140-ABG-300S	SET ILLUSTR VISOR (MATT VERNIER GREY SG-013M)	1	
	61140-ABG-300T	SET ILLUSTR VISOR (MATT TECHNO BLUE BL (BR)-003M (F))	1	
	61140-ABG-300U	SET ILLUSTR VISOR (MATT CANDY BLAZING RED RD (BR)-001C (F))	1	
	61140-ABG-300V	SET SPEEDOMETER VISOR (PANTHER BLACK ME.)	1	
16	83403-AAW-000	CUSHION SEAL FR. VISOR	1	

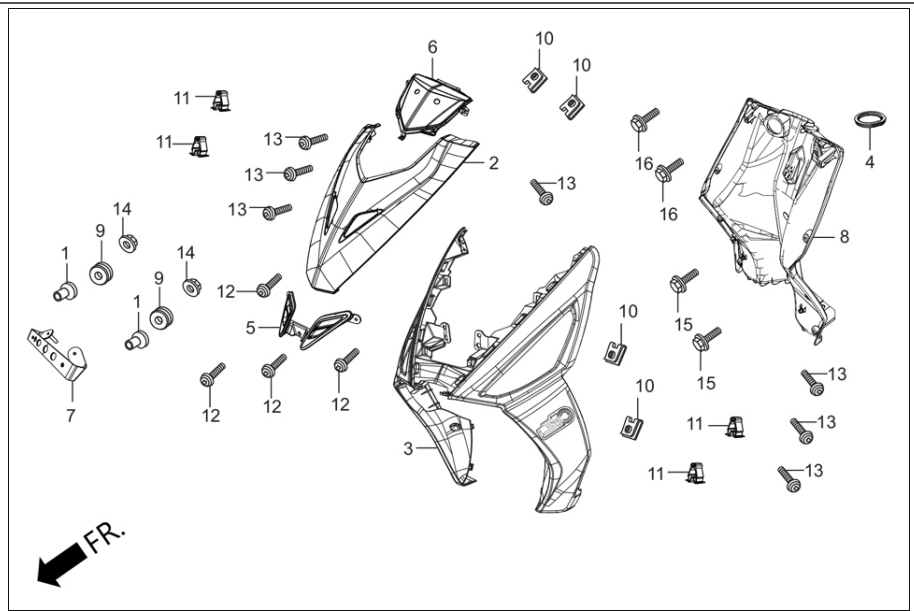
17	83407-AAW-000	CUSHION, FR VISOR	2
18	90116-KTP-900	SCREW WASH 5X16	1
19	93901-32220	SCREW TAPPING 3X10	10
20	90304-KCS-920	NUT U 10 MM	1
21	93903-34480	SCREW, TAPPING, 4X 16	6
22	93401-06020-00	BOLT, WASHER, 6 X 20	2
23	94102-12000	WASHER, PLAIN, 12MM	1
24	35100-AAW-301	SW. ASSY. COMB. & LOCK	1
25	93903-34410	SCREW, TAPPING, 4 X 16.	2
26	90657-AAW-300	CABLE TIE (LONG)	1
27	90164-KPL-900	SCREW, FLAT, U LOCK, 6X12	2
28	90113-AAW-000	BOLT FLANGE, 5 X 17	1

**F-5**  
FRONT FENDER



Service Item	F.R.T.	Group Number: F-5 Model :: Dash (Apr, 2020)			
		Ref No.	Part Number	Description	Req.
		1	61000-ABG-210R	SET, FR FENDER (MATT MAPPLE BROWN RD (D)-002M (F) *DISC*	1
			61000-ABG-210S	SET, FR FENDER (MATT VERNIER GREY SG-013M) *DISC*	1
			61000-ABG-210T	SET, FR FENDER (MATT TECHNO BLUE BL (BR)-003M (F) *DISC*	1
			61000-ABG-210U	SET, FR FENDER (MATT CANDY BLAZING RED RD (BR)-001C (F) *DISC*	1
			61000-ABH-400S	SET, FR FENDER (PANTHER BLACK ME.)	1
		2	45451-AAW-000	GUIDE FR.FENDER CABLE	1
		3	90111-187-000	BOLT, FLANGE. 6 MM	2
		4	90381-KWA-940	SCREW SPECIAL 6×13	4
		5	33741-AAN-601	REFLEX REFLECTOR FRONT	2
		6	90302-KTE-911	NUT FLANGE PT 6MM	2

**F-6**  
FR. & INNER COVER

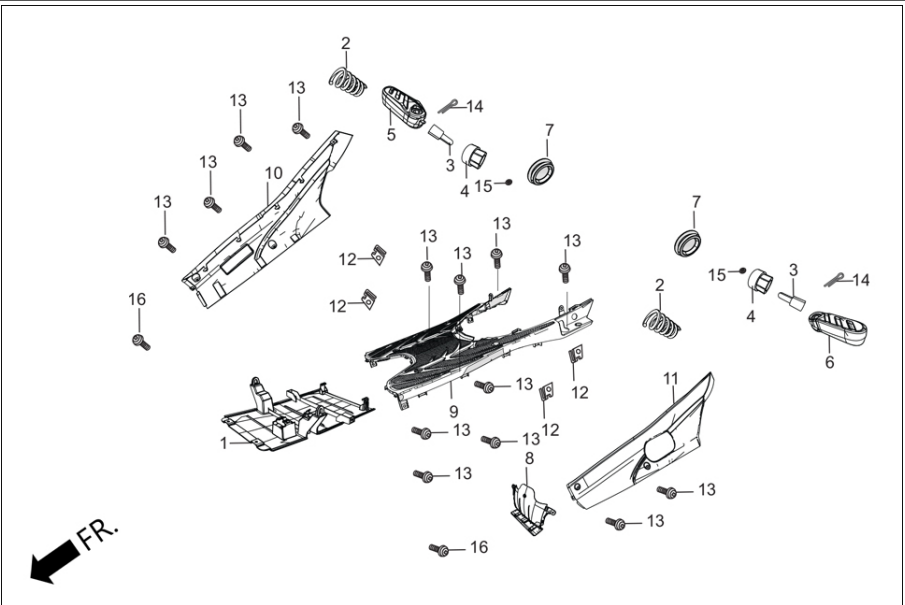


Service Item	F.R.T.	Group Number: F-6 Model :: Dash (Apr, 2020)		
Ref No.	Part Number	Description	Req.	
1	61104-428-000	COLLAR, FR, FENDER	2	
2	64301-ABG-200R	COVER, FR., CENTER A (MATT MAPPLE BROWN RD (D))-002M (F)	1	
	64301-ABG-200S	COVER, FR., CENTER A (MATT VERNIER GREY SG-013M)	1	
	64301-ABG-200T	COVER, FR., CENTER A (MATT TECHNO BLUE BL (BR)-003M (F)	1	
	64301-ABG-200U	COVER, FR., CENTER A (MATT CANDY BLAZING RED RD (BR)-001C (F)	1	
	64301-ABH-400S	COVER, FR., CENTER A (PANTHER BLACK ME.)	1	
3	64310-ABG-300R	SET, COVER FR. CENTER (MATT MAPPLE BROWN RD (D))-002M (F)	1	
	64310-ABG-300S	SET, COVER FR. CENTER (MATT VERNIER GREY SG-013M)	1	
	64310-ABG-300T	SET, COVER FR. CENTER (MATT TECHNO BLUE BL (BR)-003M (F)	1	
	64310-ABG-300U	SET, COVER FR. CENTER (MATT CANDY BLAZING RED RD (BR)-001C (F)	1	
	64310-ABG-300V	SET, COVER FR. CENTER (PANTHER BLACK ME.)	1	
4	81132-AAW-000	COVER COMB. & LOCK	1	
5	64303-ABG-200	FRONT GRILL	1	
6	64308-ABG-200R	COVER, FR. CENTER B (MATT MAPPLE BROWN RD (D))-002M (F)	1	
	64308-ABG-200S	COVER, FR. CENTER B (MATT VERNIER GREY SG-013M)	1	
	64308-ABG-200T	COVER, FR. CENTER B (MATT TECHNO BLUE BL (BR)-003M (F)	1	
	64308-ABG-200U	COVER, FR. CENTER B (MATT CANDY BLAZING RED RD (BR)-001C (F)	1	
	64308-ABG-300V	COVER, FR. CENTER B (PANTHER BLACK ME.)	1	
7	64311-ABG-200	STAY FR. NO PLATE	1	
8	81131-AAW-300	COVER INNER	1	



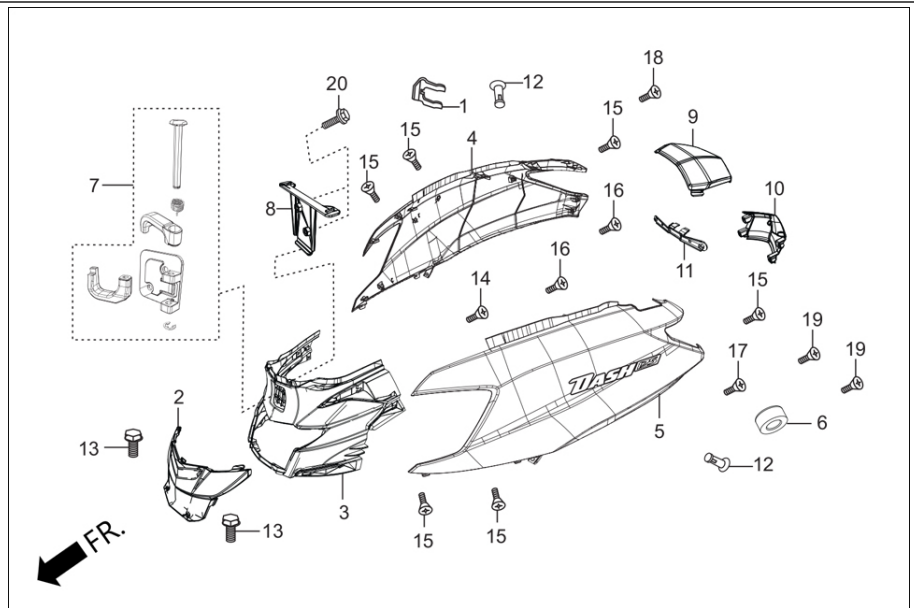
9	84703-425-000	RUBBER TAIL LIGHT (MOUNT)	2
10	90344-AAW-000	NUT CLIP 5MM	4
11	90666-AAB-000	CLIP SNAP FIT	4
12	93903-25380	SCREW TAPPING 5X16	4
13	93903-34410	SCREW, TAPPING, 4 X 16.	7
14	94050-06000	NUT, FLANGE, 6 MM	2
15	95701-06025-00	BOLT, FLANGE, 6X 25	2
16	90111-KPL-900	BOLT, INNER COVER	2

**F-7**  
FLOOR PANEL



Service Item	F.R.T.	Group Number: F-7 Model :: Dash (Apr, 2020)	
Ref No.	Part Number	Description	Req.
1	50621-AAW-000	COV. UNDER	1
2	50633-AAW-000	PILLION STEP SPRING	2
3	50638-AAW-000	PIN STEP BAR PILLION	2
4	50646-AAW-000	PILLION STEP BUSH	2
5	50710-AAW-000	PILLION R STEP	1
6	50715-AAW-000	PILLION L STEP	1
7	64150-AAW-000	PANEL FLOOR RUBBER CAP	2
8	64309-AAW-000	FRONT COV. LOWER	1
9	64310-AAW-000	PANEL FLOOR	1
10	64320-ABG-200R	COVER, R. FLOOR SIDE (MATT MAPPLE BROWN RD (D)-002M (F))	1
	64320-AAW-000Z	COV. R FLOOR SIDE(MVG(SG013M))	1
	64320-ABG-200T	COVER, R. FLOOR SIDE (MATT TECHNO BLUE BL (BR)-003M (F))	1
	64320-ABG-200U	COVER, R. FLOOR SIDE (MATT CANDY BLAZING RED RD (BR)-001C (F))	1
	64320-AAW-000T	COV. R FLOOR SIDE(PNB(NHB08M))	1
11	64330-ABG-200R	COVER, L. FLOOR SIDE (MATT MAPPLE BROWN RD (D)-002M (F))	1
	64330-AAW-000Z	COV. L FLOOR SIDE(MVG(SG013M))	1
	64330-ABG-200T	COVER, L. FLOOR SIDE (MATT TECHNO BLUE BL (BR)-003M (F))	1
	64330-ABG-200U	COVER, L. FLOOR SIDE (MATT CANDY BLAZING RED RD (BR)-001C (F))	1
	64330-AAW-000T	COV. L FLOOR SIDE(PNB(NHB08M))	1
12	90344-AAW-000	NUT CLIP 5MM	4
13	93903-25380	SCREW TAPPING 5X16	14
14	94201-25250	PIN, SPLIT, 2.5X25	2
15	96211-08000	BALL STEEL 8 MM	2
16	90101-087-720	SCREW, HEAD LIGHT SET	2

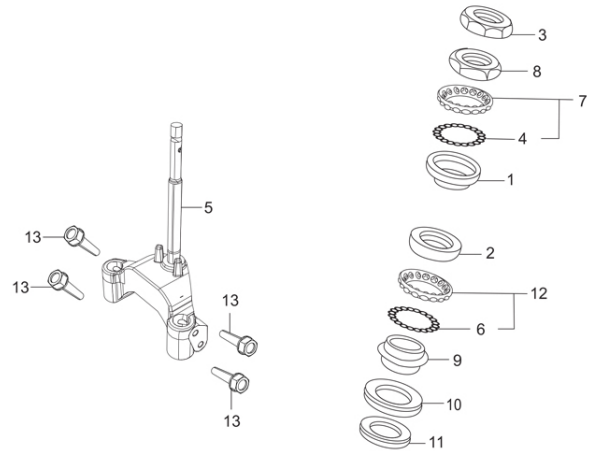
**F-8**  
BODY COVER



Service Item	F.R.T.	Group Number: F-8 Model :: Dash (Apr, 2020)		
Ref No.	Part Number	Description	Req.	
1	75581-673-000	SET SPRING, LOCK KEY	1	
2	80151-AAW-000	COV. CENTER	1	
3	80152-ABG-200	COVER CENTER B	1	
4	83300-ABG-300R	SET R. BODY COVER (MATT MAPPLE BROWN RD (D)-002M (F)	1	
	83300-ABG-300S	SET R. BODY COVER (MATT VERNIER GREY SG-013M	1	
	83300-ABG-300T	SET R. BODY COVER (MATT TECHNO BLUE BL (BR)-003M (F)	1	
	83300-ABG-300U	SET R. BODY COVER (MATT CANDY BLAZING RED RD (BR)-001C (F)	1	
	83300-ABG-300V	SET R. BODY COVER (PANTHER BLACK ME.)	1	
5	83400-ABG-300R	SET L. BODY COVER (MATT MAPPLE BROWN RD (D)-002M (F)	1	
	83400-ABG-300S	SET L. BODY COVER (MATT VERNIER GREY SG-013M	1	
	83400-ABG-300T	SET L. BODY COVER (MATT TECHNO BLUE BL (BR)-003M (F)	1	
	83400-ABG-300U	SET L. BODY COVER (MATT CANDY BLAZING RED RD (BR)-001C (F)	1	
	83400-ABG-300V	SET L. BODY COVER (PANTHER BLACK ME. )	1	
6	83561-AAW-000	GROMMET BODY COVER	1	
7	83139-AAW-000	LOAD HOOK ASSY	1	
8	90301-AAW-000	LOAD HOOK PLATE	1	
9	83700-ABG-200R	SET COVER, RR. CENTER (MATT MAPPLE BROWN RD (D)-002M (F)	1	
	83700-AAW-000Z	SET COV. RR CENTER(MVG(SG-013M)	1	
	83700-ABG-200T	SET COVER, RR. CENTER (MATT TECHNO BLUE BL (BR)-003M (F)	1	
	83700-ABG-200U	SET COVER, RR. CENTER (MATT CANDY BLAZING RED RD (BR)-001C (F)	1	
	83700-ABH-400S	SET COVER, RR. CENTER (PANTHER BLACK ME.)	1	
10	83702-ABG-200R	COVER, RR. CENTER LOWER (MATT MAPPLE BROWN RD (D)-002M (F)	1	

	83702-ABG-200S	COVER, RR. CENTER LOWER (MATT VERNIER GREY SG-013M)	1
	83702-ABG-200T	COVER, RR. CENTER LOWER (MATT TECHNO BLUE BL (BR)-003M (F))	1
	83702-ABG-200U	COVER, RR. CENTER LOWER (MATT CANDY BLAZING RED RD (BR)-001C (F))	1
	83702-ABH-400S	COVER, RR. CENTER LOWER (PANTHER BLACK ME.)	1
11	83560-AAW-000	HINGE BODY COVER	1
12	90111-KPL-900	BOLT, INNER COVER	2
13	90111-187-000	BOLT, FLANGE. 6 MM	2
14	93903-34110	SCREW, TAPPING, 4 X 8.	1
15	93903-34410	SCREW, TAPPING, 4 X 16.	6
16	93903-35380	SCREW TAPPING 5X16	2
17	91509-AAW-000	SCREW, PAN 5X17.5	1
18	93901-22010	SCREW TAPPING 3X6	1
19	93500-06018-07	SCREW PAN 6X18	2
20	96001-06016-07	BOLT, FLANGE, SH. 6 X 16	2

**F-9**  
STRG. STEM

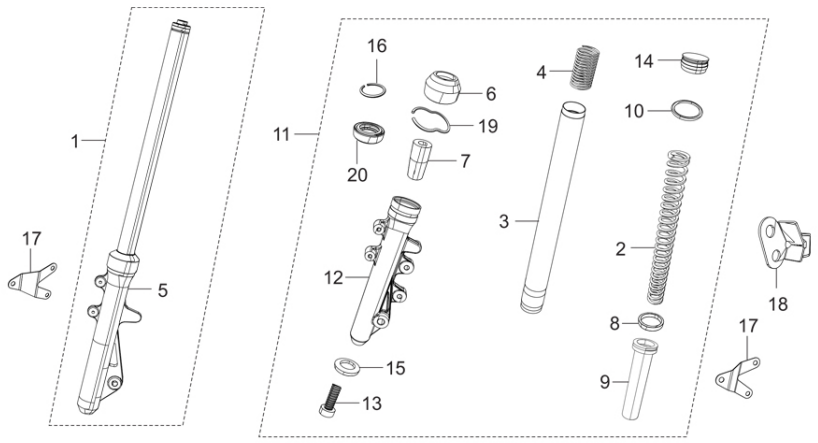


Service Item	F.R.T.	Group Number: F-9 Model :: Dash (Apr, 2020)			
		Ref No.	Part Number	Description	Req.
		1	50301-KEM-900	RACE, UP STRG., BALL	1
		2	50302-KPL-900	RACE, STRG., BOTTOM BALL	1
		3	50306-KPL-900	NUT, STRG. STEM, LOCK	1
		4	96211-05000	BALL, STEEL #5	22
		5	53200-AAW-500	STEM. COMP., STRG.	1
		6	96211-08000	BALL STEEL 8 MM	17
		7	53210-KTP-900	BALL, ASSY, STRG.	1
		8	53211-KEM-900	RACE, STRG. TOP CONE	1
		9	53212-250-010	RACE, STRG. BOTTOM CONE	1
		10	53214-250-000	DUST, SEAL STRG. (HEAD)	1
		11	53215-KPL-900	WASHER, STRG. HEAD DUST SEAL	1
		12	53215-KTP-900	BALL ASSY, STRG.	1
		13	90001-AAW-000	BOLT FLANGE BRIDGE FORK MTG.	4



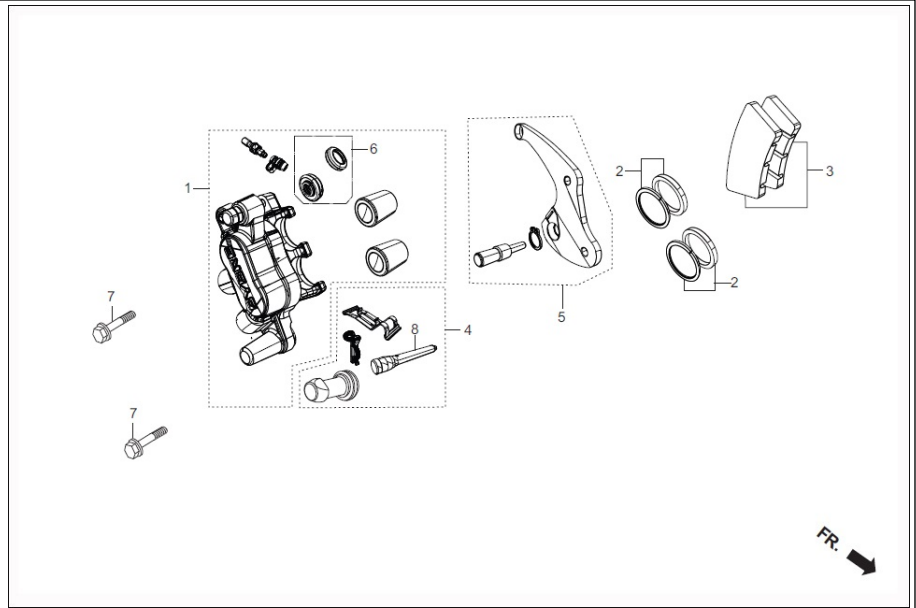
**F-9A**  
FR. FORK

← FR.



Service Item	F.R.T.	Group Number: F-9A Model :: Dash (Apr, 2020)		
Ref No.	Part Number	Description	Req.	
1	51400-ABG-210	FORK ASSY R FR. (DISC)	1	
2	51401-AAW-300	SPRING FR FORK	2	
3	51410-AAW-300	PIPE COMP FR FORK	2	
4	51412-KSP-901	SPRING, REBOUND	2	
5	51420-ABG-210	CASE COMP R FR BOTTOM (DISC)	1	
6	51425-KST-901	SEAL, DUST	2	
7	51432-KFN-851	PIECE, OIL LOCK	2	
8	51437-KVN-901	RING, PISTON	2	
9	51440-AAW-001	PIPE SEAT	2	
10	91356-AAW-300	O-RING 19.4X2.8	2	
11	51500-ABG-210	FORK ASSY L. FR. (DISC)	1	
12	51520-ABG-210	CASE COMP L FR BOTTOM (DISC)	1	
13	90116-AAW-001	BOLT SOCKET 8 MM	2	
14	90123-AAW-300	BOLT FR FORK	2	
15	90544-439-930	WASHER, SPECIAL, 8 MM	2	
16	51400-AAW-3000-20	RING STOPPER.	2	
17	51414-AAW-000	STAY REFLECTOR	2	
18	51503-ABG-010	BRKT. CABLE GUIDE.	1	
19	90601-GF5-730	RING, OIL SEAL STOPPER	2	
20	91255-169-000R	OIL SEAL, 30 X 42 X 11	2	

**F-9B**  
CALIPER ASSY. 'R' FR.

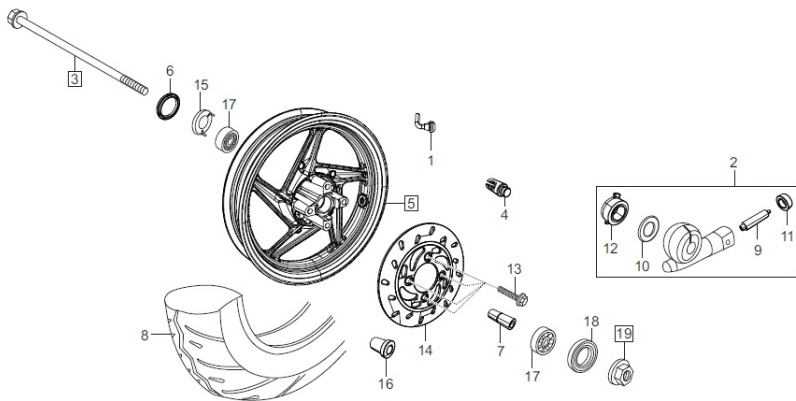


<b>Service Item</b>	<b>F.R.T.</b>	<b>Group Number: F-9B Model :: Dash (Apr, 2020)</b>
---------------------	---------------	---

Ref No.	Part Number	Description	Req.
1	45250-ABG-010	CALIPER SUB ASSY. R FR	1
2	06451-ABG-010	SEAL SET PISTON.	1
3	06455-ABG-010	PAD SET, FR	1
4	45137-ABG-010	MOUNTING PAD SET	1
5	45211-ABG-010	BRACKET ASSEMBLY	1
6	45221-ABG-010	BOOT SET	1
7	90155-KY4-900	BOLT, FLANGE, 8 X 25	2
8	45220-ABG-010	PIN ASSY.	1

**F-10**  
FRONT WHEEL

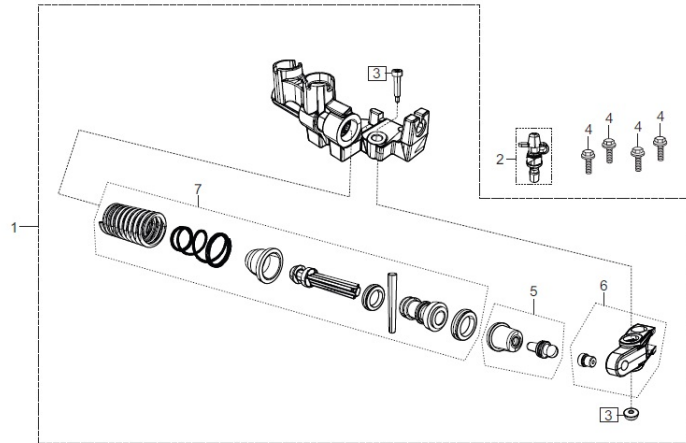
FR.



Service Item	F.R.T.	Group Number: F-10 Model :: Dash (Apr, 2020)			
		Ref No.	Part Number	Description	Req.
		1	42753-AAL-001	RIM,VALVE	1
		2	44800-ABG-010	GEAR BOX ASSY. SPDMT	1
		3	44301-AAW-000	AXLE FR. WHEEL	1
		4	43455-ABG-010	JOINT BRK ARM	1
		5	44601-ABG-210	WHEEL COMP FRONT (DISC)	1
		6	91258-KEJ-900	DUST SEAL, 40 X 50 X 5	1
		7	44620-AAW-000	COLLAR FR WHEEL DISTANCE	1
		8	44711-AAW-00099	TYRE FR	1
		9	44805-KTP-900	PINION, SPDMT	1
		10	44809-170-000	WASHER, SPEEDOMETER GEAR	1
		11	44810-KTC-900	BUSH, PINION	1
		12	44804-ABG-010	GEAR, SPDMT	1
		13	90105-MK5-010	BOLT, FR., DISC, 8 X 22	4
		14	45251-ABG-010	DISC FRONT BRAKE.	1
		15	44680-410-000	RETAINER, GEAR BOX	1
		16	44311-ABG-010	COLLAR, FR. WHEEL SIDE	1
		17	90912-KPL-900	BEARING BALL RADIAL 6201(U)	2
		18	90754-KPL-900	SEAL, DUST 20 X 32 X 5	1
		19	90306-KST-942	NUT, CASTLE, 12 MM	1
			90306-KTE-911	NUT, CASTLE, 12 MM	1

**F-10B**  
CCB ASSY.

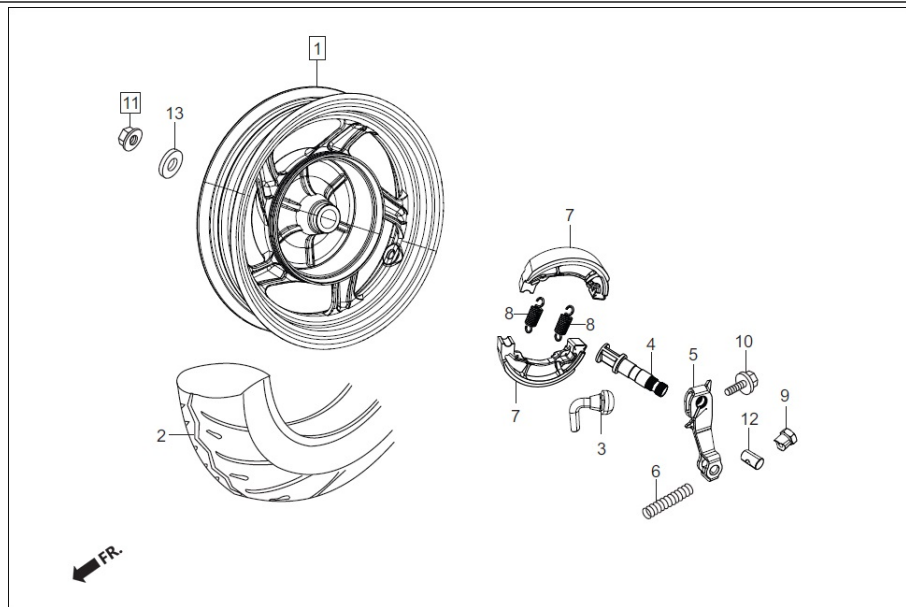
←FR.



<b>Service Item</b>	<b>F.R.T.</b>	<b>Group Number: F-10B Model :: Dash (Apr, 2020)</b>			
*ARM, FR.BRAKE (INC. RELATIVEPART)	0.1 --	<b>Ref No.</b>	<b>Part Number</b>	<b>Description</b>	<b>Req.</b>
*AXLE,FRONTWHEEL	0.2	1	43300-ABG-010	CCB ASSEMBLY	1
* GEAR,SPDMT	--	2	43314-ABG-010	BLEEDER SCREW ASSY.	1
*SHOECOMP,BRAKE	--	3	43344-AAW-010	CCB LEVER ROD KIT	1
* BEARING, RADIALBALL, 6201(U) (ADD. 0.1FOREACH.)	0.4 --	4	96001-06010-07	BOLT FLANGE, SH., 6 X 10	4
* COLLAR, FRO.WHEELDISTANCE	--	5	43340-ABG-010	PUSH ROD KIT	1
* PANELSUBASSY.,FRONTBRAKE (INC. RELATIVEPART)	-- --	6	43341-ABG-010	LEVER KIT	1
*TYRE	0.6	7	43342-ABG-010	PISTON KIT	1
*WHEELSUBASSY.,FRONT	--				
* RIMCOMP.,WHEEL	0.7				

# F-11

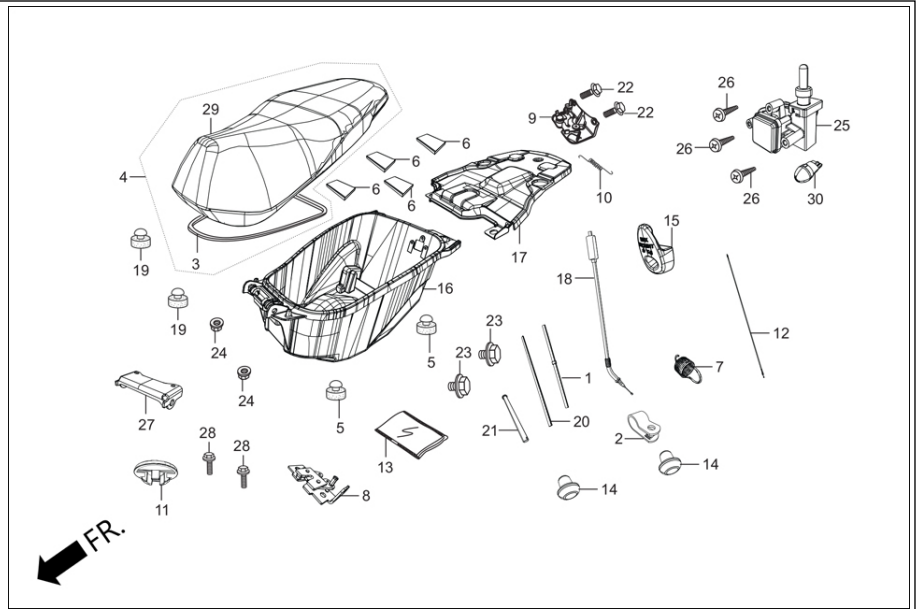
REAR WHEEL





Service Item	F.R.T.	Group Number: F-11 Model :: Dash (Apr, 2020)			
		Ref No.	Part Number	Description	Req.
		1	42601-ABG-200	WHEEL COMP. RR	1
		2	42711-AAL-00099	TYRE	1
		3	42753-AAL-001	RIM,VALVE	1
		4	43141-KTP-900	CAM, REAR BRAKE	1
		5	43410-AAW-000	ARM REAR BRAKE	1
		6	43472-KPL-900	SPRING, REAR, BRAKE ARM	1
		7	45125-AAH-F0099	SHOE COMP BRAKE	2
		8	45133-KCC-900	SPRING, FR. BRAKE SHOE	2
		9	95015-42000	NUT B ADJUST	1
		10	90112-KTP-900	BOLT, FLANGE, 6X32	1
		11	90305-KPL-900	NUT, HEX, SPL., 16MM	1
		12	95015-32001	JOINT B BRAKE ARM	1
		13	90501-KPL-900	WASHER, 16 MM	1

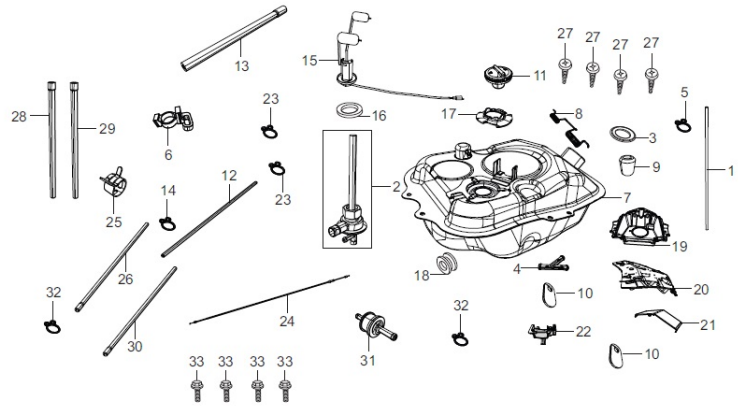
**F-12**  
SEAT/LUGGAGE BOX



Service Item	F.R.T.	Group Number: F-12 Model :: Dash (Apr, 2020)			
		Ref No.	Part Number	Description	Req.
		1	17515-AAW-000	V.TUBE 8X12X340	1
		2	37216-AAW-001	CLAMP	1
		3	77115-AAW-000	RUBBER, SEAL	1
		4	77200-ABG-200	SEAT COMP DOUBLE	1
		5	77206-AAW-000	RUBBER SEAT SETTING	2
		6	77211-AAW-000	CUSHION SEAT	4
		7	77234-AAW-000	SPRING	1
		8	77235-AAW-000	CATCH FUEL LID	1
		9	77236-AAW-000	SEAT CATCH COMP.	1
		10	77236-GBL-000	SPRING SEAT CATCH	1
		11	81133-AAW-500	CAP CHOKE CABLE	1
		12	77243-AAW-001	CABLE SEAT LOCK	1
		13	77251-KPL-900	BAG, SERVICE BOOK	1
		14	80158-AAW-000	RUBBER BUSH TRAY FUEL	2
		15	81139-AAW-000	LOAD HOOK FR	1
		16	81250-AAW-000	BOX LUGGAGE	1
		17	81253-AAW-000	LUGGAGE BOX B	1
		18	77245-AAW-000	FUEL LID COVER CATCH CABLE RR	1
		19	77206-KG8-900	RUBBER, SEAT SETTING	2
		20	83408-AAW-000	RUBBER SEAL FUEL TRAY	1
		21	90105-AAW-000	PIN HINGE	1
		22	90112-KRP-900	BOLT, FLANGE, 6X18	2
		23	93404-06020-00	BOLT, WASH, 6 X 20	2
		24	94050-06000	NUT, FLANGE, 6 MM	2
		25	33200-AAW-301	LIGHT ASSY., BOOT.	1
		26	93903-34410	SCREW, TAPPING, 4 X 16.	3
		27	77201-AAW-000	PLATE HINGE	1
		28	95701-06016-00	BOLT, FLANGE, 6X16	2

29	7720B-AAW-000	COVER ASSY. SEAT	1
30	34911-AAW-301	LED BULB WHITE WEDGE BASE	1

# F-13 FUEL TANK



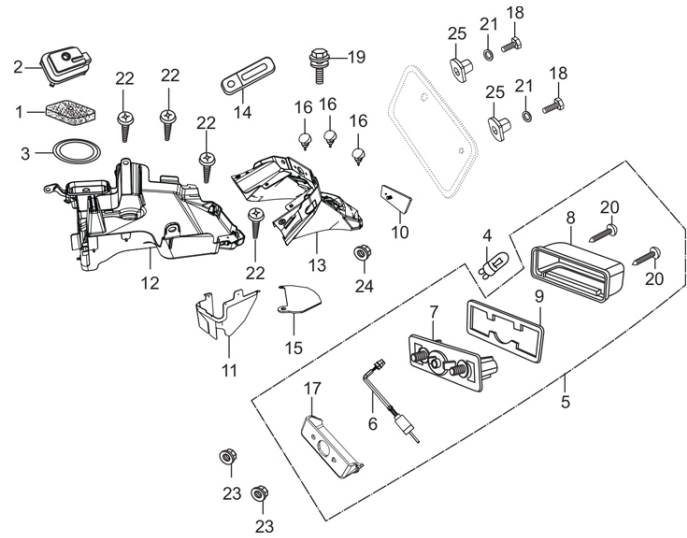
FR.

Service Item	F.R.T.	Group Number: F-13 Model :: Dash (Apr, 2020)			
		Ref No.	Part Number	Description	Req.
		1	15543-AAW-000	FUEL LID AXLE	1
		2	16950-KRP-981	COCK ASSY,FUEL	1
		3	17029-AAW-000	FILLER NECK GASKET	1
		4	17320-AAW-000	JOINT 3 WAY	1
		5	95002-50000	CLIP, C9 TUBE	1
		6	17451-AAW-000	SUSPENSION TWO WAY VALVE	1
		7	17500-AAW-000	TANK COMP FUEL	1
		8	17544-AAW-000	FUEL LID SPRING	1
		9	17545-AAW-000	FUEL LID STUD STOPPER	1
		10	17546-AAW-000	FUEL LID AXLE STOPPER	2
		11	17620-AAW-000	CAP COMP.FUEL FILLER	1
		12	17684-AAW-000	TUBE COMP. VACCUM	1
		13	17696-AAW-000	TUBE 2 WAY VALVETANK	1
		14	95002-02080	CLIP, TUBE	1
		15	37800-AAW-00099	UNIT ASSY. FUEL	1
		16	37801-GA7-700	PACKING, BASE	1
		17	37802-GA7-700	RETAINER FUEL UNIT	1
		18	77202-AAW-000	RUBBER TRAY FUEL COVER	1
		19	80153-AAW-000	TRAY FUEL	1
		20	80154-AAW-000	COV. FUEL TANK	1
		21	80155-ABG-201	EMBLEM COVER FUEL TANK	1
		22	80159-AAW-000	COVER, TRAY FUEL	1
		23	95002-02070	CLIP, B-7 TUBE	2
		24	77244-AAW-000	FUEL LID COVER CATCH CABLE FR	1
		25	91406-KFN-850	CLAMP, D14.5 TUBE	2
		26	95001-45390-40	TUBE 4.5X390	1
		27	93903-24380	SCREW TAPPING, 4 X 12	4
		28	95003-23027-60	V TUBE 8X12X270	1

29	95003-23033-60	V. TUBE 8 X 12 X 330	1
30	17697-AAW-000	TUBE 2 WAY VALVEOUT	1
31	17450-AAW-000	TWO WAY VALVE	1
32	95002-02100	CLIP, B-10 TUBE	2
33	95701-08020-00	BOLT, FLANGE, 8X20	4

**F-14**  
REAR FENDER

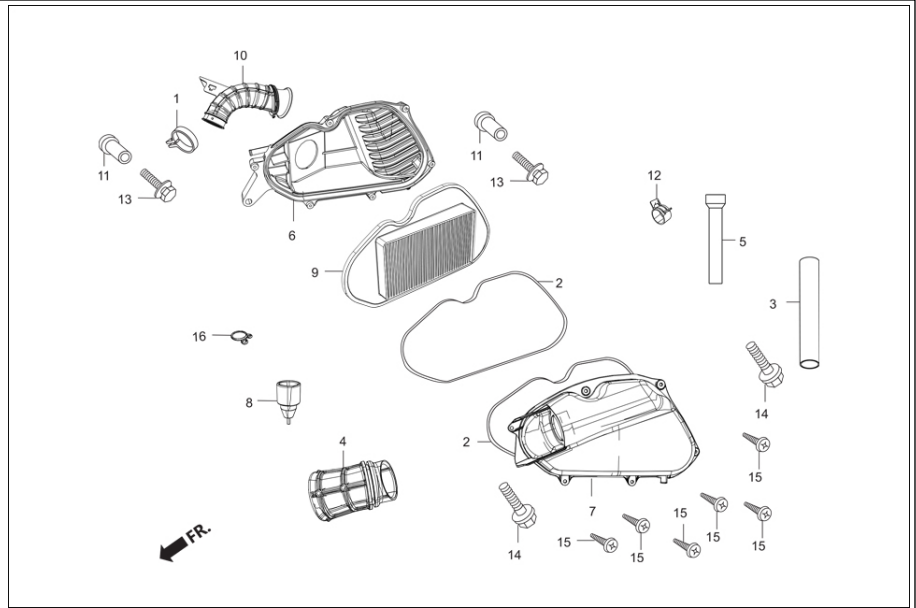
← FR.





Service Item	F.R.T.	Group Number: F-14 Model :: Dash (Apr, 2020)		
Ref No.	Part Number	Description	Req.	
1	18805-KPL-900	ELEMENT, SUB AIR CLEANER	1	
2	18807-KPL-900	COVER, SUB AIR CLEANER	1	
3	18812-KPL-900	SEAL, SUB AIR CLEANER	1	
4	34351-AAB-401	BULB (12VW5W) E MARK	1	
5	3372B-AAW-101	LIGHT ASSY. LICENSE	1	
6	33721-AAW-101	SOCKET COMP.	1	
7	33722-KVE-900	BASE COMP.	1	
8	33723-KVE-900H	COVER COMP.	1	
9	33729-MCZ-003	PACKING, LENS	1	
10	33741-AAM-101	REFLEX REFLECTOR	1	
11	80104-AAW-300	PLATE RR FENDER SPLASH GUARD	1	
12	80105-AAW-000	FENDER RR.UPPER	1	
13	80106-AAW-000	FENDER RR LOWER	1	
14	80107-AAY-000	CLIP 0.5X50	1	
15	80132-AAW-000	RUBBER PROTECTION RR. FENDER	1	
16	80145-AAW-000	RUBBER STOPPER	3	
17	80203-AAW-000	RUBBER LICENSE LIGHT	1	
18	92000-06016-0A	BOLT, HEX., 6 X 16	2	
19	93404-06012-00	BOLT, WASHER, 6 X 12	1	
20	93901-24480	SCREW, TAPPING, 4 X 16	2	
21	94101-06000	WASHER, PLAIN, 6 MM	2	
22	93903-24480	SCREW, TAPPING, 4X16	4	
23	94050-05000	NUT FLANGE, 5 MM	2	
24	94050-06000	NUT, FLANGE, 6 MM	1	
25	90311-AAA-000	NUT REAR FENDER	2	

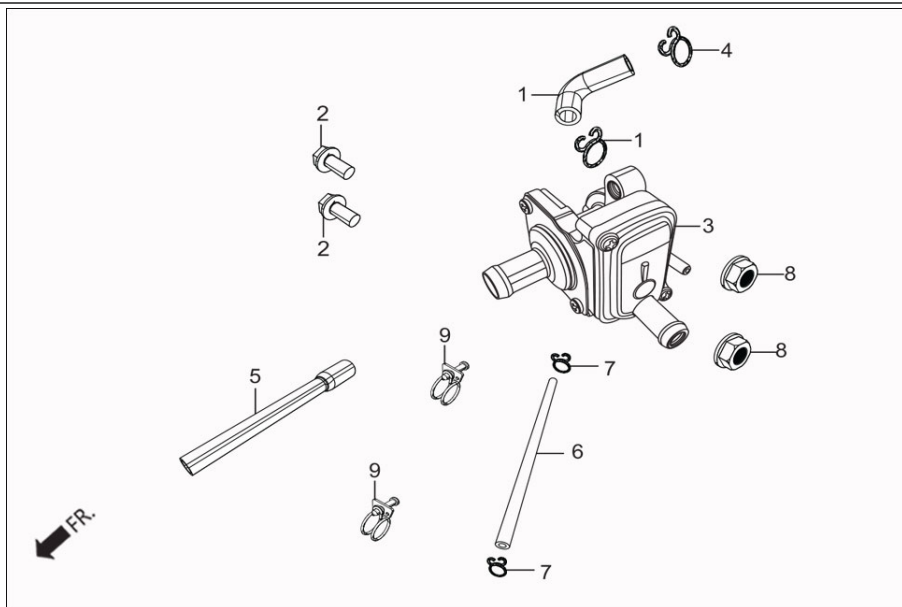
# F-15 AIR CLEANER



Service Item	F.R.T.	Group Number: F-15 Model :: Dash (Apr, 2020)		
Ref No.	Part Number	Description	Req.	
1	95018-AAW-000	BAND 40 AIR/C CONN TUBE	1	
2	17212-AAL-200	SEAL AIR/ C COVER	2	
3	95003-23032-60	V TUBE 8X12X320	1	
4	17215-AAL-500	DUCT AIR/C	1	
5	17216-KTP-900	TUBE, DRAIN	1	
6	17233-AAW-300	CASE AIR/C	1	
7	17231-AAW-000	COV. AIR CLEANER	1	
8	17234-KCC-940	TUBE AIR CLEANER DRAIN	1	
9	17208-ABS-001	HOLDER COMP. ELEMENT	1	
10	17253-ABG-000	TUBE AIR/C CONN.	1	
11	50731-KV3-770	COLLAR, PILLION STEP SET	2	
12	90602-KPL-900	CLAMP, D12 TUBE	1	
13	93404-06040-07	BOLT, WASH, 6 X 40	2	
14	95701-06012-00	BOLT, FLANGE, 6X12	2	
15	93903-25480	SCREW TAPPING 5X20	6	
16	95002-02130	CLIP B 12.5 TUBE	1	

## F-15A

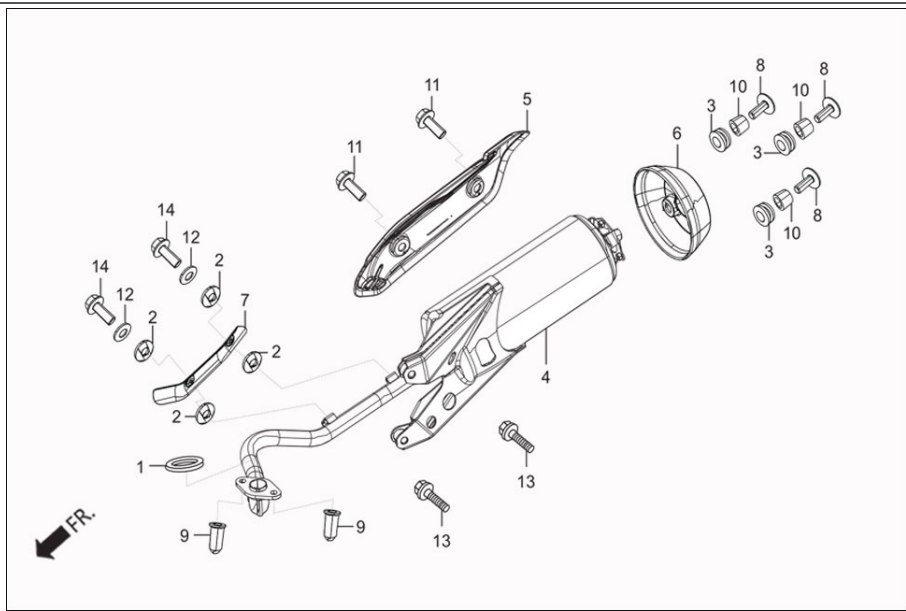
### AIR SUCTION VALVE



**Group Number:** F-15A Model :: Dash (Apr, 2020)

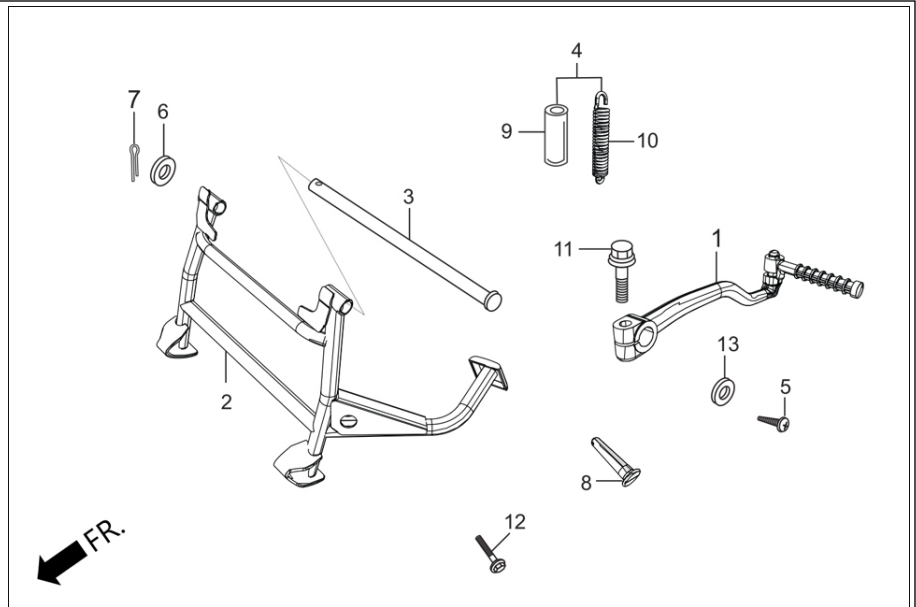
Ref No.	Part Number	Description	Req.
1	17316-611-000	CLIP, BREATHER TUBE	2
2	95701-06012-00	BOLT, FLANGE, 6X12	2
3	18600-AAW-301	VALVE ASSY.AIR SUCTION	1
4	18651-AAW-000	TUBE ASV	1
5	18652-ABG-200	HOSE ASV	1
6	18653-AAW-000	TUBE ASV VACUUM	1
7	95002-02070	CLIP, B-7 TUBE	2
8	94050-06000	NUT, FLANGE, 6 MM	2
9	91462-KM7-910	CLIP, TUBE	2

**F-16**  
EXHAUST MUFFLER



<b>Service Item</b>	<b>F.R.T.</b>	<b>Group Number: F-16 Model :: Dash (Apr, 2020)</b>			
		<b>Ref No.</b>	<b>Part Number</b>	<b>Description</b>	<b>Req.</b>
* PROTECTOR, EX. PIPE	0.1	1	18292-GY1-610	GASKET, EXH.PIPE	1
* PROTECTOR MUFFLER	--	2	18292-KTP-900	PACKING, PROTECTOR	4
* GASKET, EX. PIPE	0.2	3	18293-AAW-000	RUBBER PKG. PROTECTOR	3
* MUFFLER COMP. EX.	--	4	18300-ABG-200	MUFFLER COMP EXH	1
		5	18318-ABG-000	PROTECTOR MUFFLER	1
		6	18340-ABG-000	COVER TAIL CAP	1
		7	18319-ABG-000	PROTECTOR EXH. PIPE.	1
		8	90102-AAW-000	BOLT. SPECIAL 6X20	3
		9	90308-KPL-840	NUT, CAP, 6 MM	2
		10	90312-AAW-000	COLLAR M6X11	3
		11	93404-06016-07	BOLT-WASHER, 6 X 16	2
		12	94101-06700	WASHER, PLAIN, 6 MM	2
		13	95801-AAW-000	BOLT FLANGE 10X45	2
		14	96001-06010-07	BOLT FLANGE, SH., 6 X 10	2

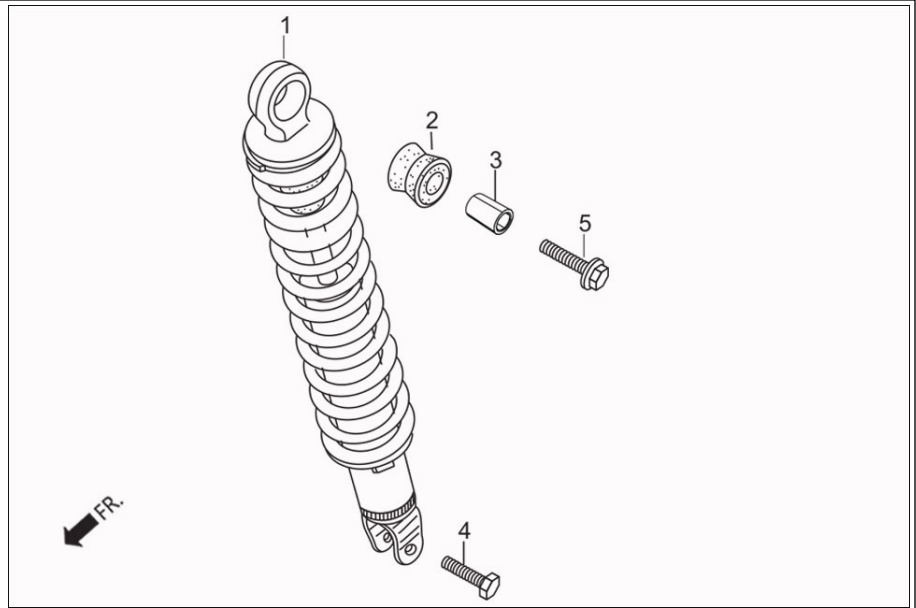
**F-17**  
ARM KICK START/MAIN STAND/SIDE  
STAND



Service Item	F.R.T.	Group Number: F-17 Model :: Dash (Apr, 2020)			
		Ref No.	Part Number	Description	Req.
		1	28300-AAL-400	ARM ASSY KICK STARTER	1
		2	50500-ABG-000	STAND COMP. MAIN ASSY	1
		3	50503-GCC-000	SHAFT, MAIN STAND	1
		4	50505-GCC-000	SPG.ASSY., MAIN STAND	1
		5	93891-05014-18	SCREW, WASHER, 5 X 14	1
		6	94102-12000	WASHER, PLAIN, 12MM	1
		7	94201-25250	PIN, SPLIT, 2.5X25	1
		8	94201-AAW-000	PIN STEP PILLION	1
		9	95005-14070-30	TUBE, 14X70	1
		10	95014-71202	SPRING B., MAIN STAND	1
		11	95701-08025-07	BOLT FLANGE 8X25	1
		12	90111-KPL-900	BOLT, INNER COVER	1
		13	94103-04800	WASHER PLAIN 4MM	1



**F-18**  
REAR CUSHION

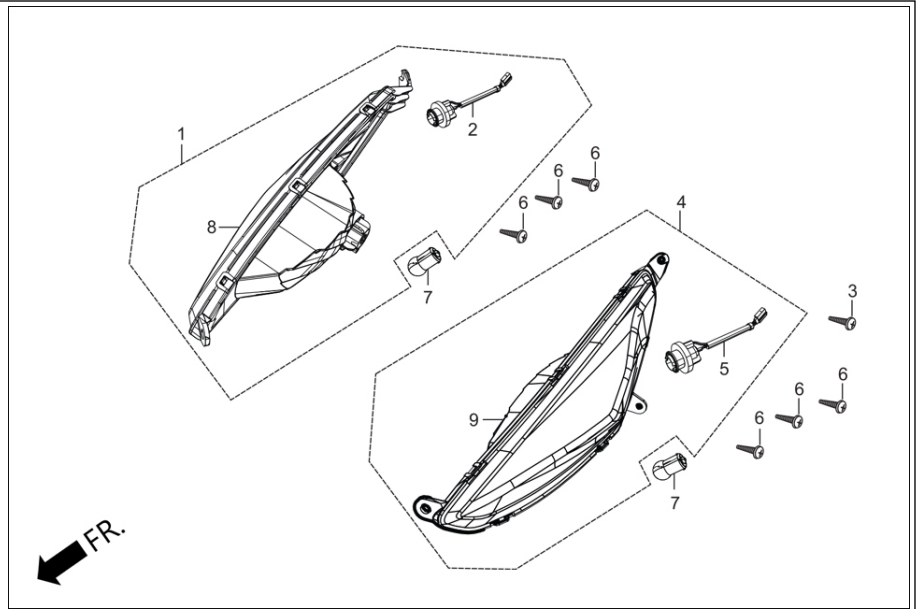


Service Item	F.R.T.
* CUSHIONASSY.,RR	0.4

Group Number: F-18 Model :: Dash (Apr, 2020)

Ref No.	Part Number	Description	Req.
1	52400-AAW-000	CUSHION ASSY. RR	1
2	52485-088-901	BUSH, RUBBER (UNDER)	1
3	52486-GA7-003	COLLAR, RUBBER BUSH (UNDER)	1
4	92201-08032-0A	BOLT, FLANGE, 8 X32	1
5	95801-10035-00	BOLT, FLANGE, 10X35	1

## F-19 FRONT WINKER



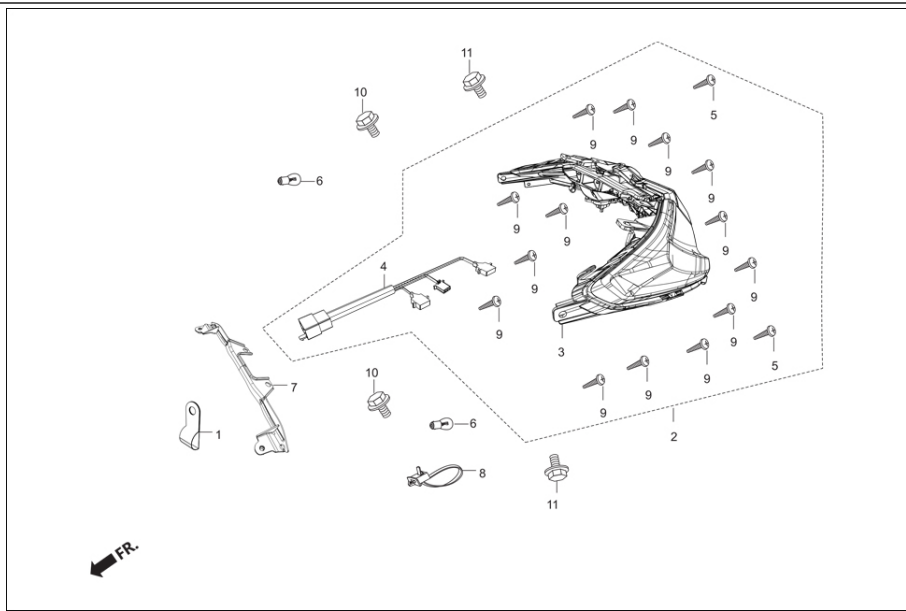
Service Item

F.R.T.

Group Number: F-19 Model :: Dash (Apr, 2020)

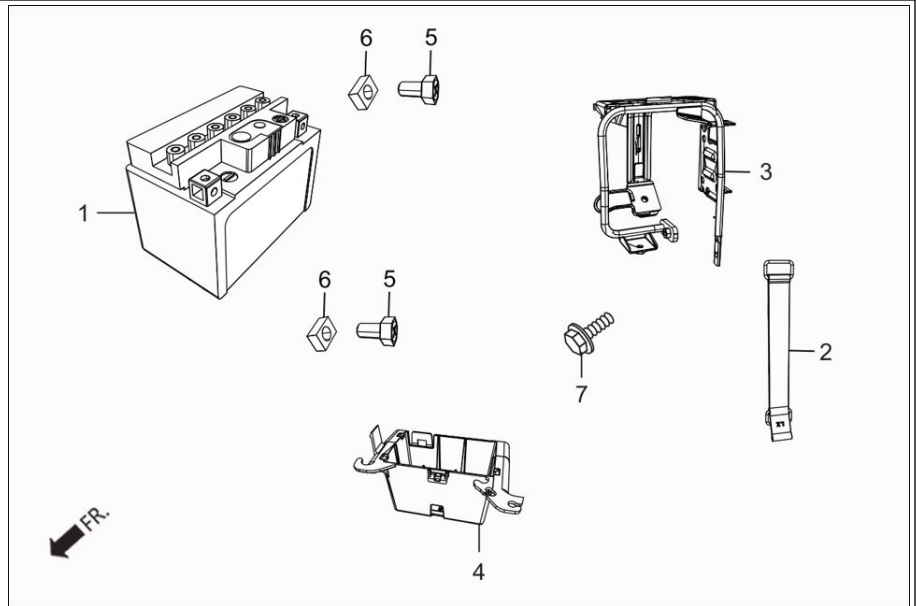
Ref No.	Part Number	Description	Req.
1	3340B-ABG-301	WINKER ASSY.R FR.	1
2	33405-AAW-101	SOCKET COMP,R	1
3	93903-25880	SCREW TAPPING 5X40	1
4	3345B-ABG-301	WINKER ASSY.L FR.	1
5	33455-AAW-101	SOCKET COMP,L	1
6	93903-34410	SCREW, TAPPING, 4 X 16.	6
7	34908-AAB-401	BULB (12V10W) AMBER E MARK	2
8	33410-ABG-201	UNIT WINKER COMP R	1
9	33460-ABG-201	UNIT WINKER COMP L	1

**F-20**  
REAR COMBINATION LIGHT



Service Item	F.R.T.	Group Number: F-20 Model :: Dash (Apr, 2020)			
		Ref No.	Part Number	Description	Req.
		1	32175-AAW-000	CLAMP	1
		2	3370B-ABG-301	LIGHT ASSY REAR COMB (W/O BULB)	1
		3	33710-ABG-201	UNIT RR COMB	1
		4	33715-ABG-301	SOCKET COMP	1
		5	93913-AAW-001	SCREW 3X12	2
		6	34908-AAB-401	BULB (12V10W) AMBER E MARK	2
		7	83562-AAW-000	TAIL LIGHT MTG BRACKET FR	1
		8	91547-AAW-000	BAND HARN	1
		9	93913-24120	SCREW, TAPPING, 4 X 10	14
		10	95701-06012-07	BOLT, FLANGE, 6X12	2
		11	90111-187-000	BOLT, FLANGE. 6 MM	2

## F-21 BATTERY



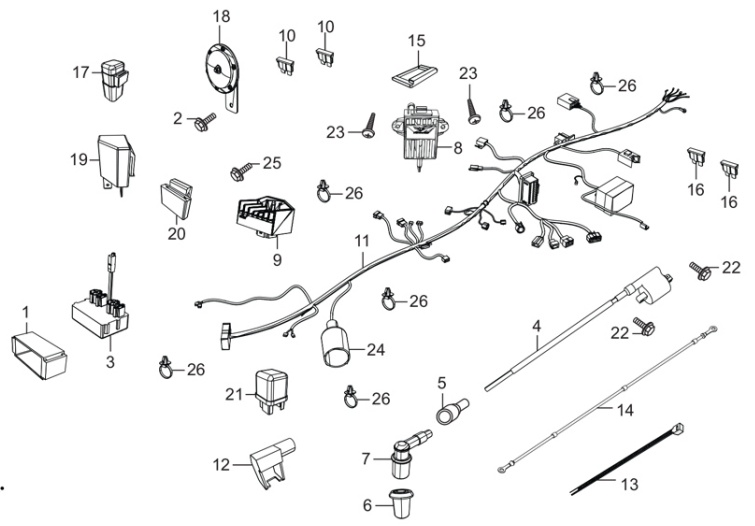
Service Item	F.R.T.
BATTERY ASSY.	0.2

**Group Number:** F-21 Model :: Dash (Apr, 2020)

Ref No.	Part Number	Description	Req.
1	31500-KRP-801	BATTERY ASSY	1
2	50327-AAW-000	BAND BATTERY	1
3	50330-ABG-210	TRAY COMP BATTERY	1
4	50380-AAW-000	BATTERY BOX	1
5	90122-KVT-941	BOLT BATTERY TERMINAL	2
6	90306-KVT-941	NUT BATTERY TERMINAL	2
7	95701-06012-00	BOLT, FLANGE, 6X12	1

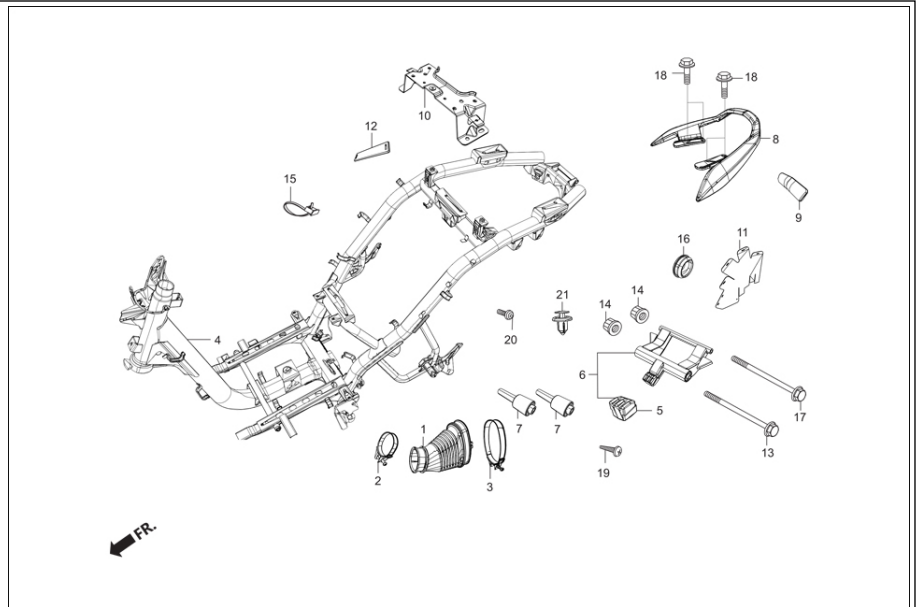
**F-22**  
WIRE HARNESS

← FR.



Service Item	F.R.T.	Group Number: F-22 Model :: Dash (Apr, 2020)			
		Ref No.	Part Number	Description	Req.
		1	30401-ABS-000	CUSHION, CDI UNIT	1
		2	95701-06012-00	BOLT, FLANGE, 6X12	1
		3	30440-ABS-000	UNIT COMP TCI & 13S	1
		4	30510-AAW-001	COIL COMP. IGNITION	1
		5	30604-KTP-890	CAP, CORD WATER PROOF.	1
		6	30605-KTP-951	SEAL, H/T TERMINAL	1
		7	30700-KTP-951	CAP ASSY., NOISE SUPPRESSOR	1
		8	31300-AAW-001	USB CHARGER ASSY	1
		9	31600-AAW-301	REG RECT ASSY	1
		10	98200-31000	BLADE, FUSE 10A	2
		11	32100-ABG-300	HARNESS WIRE	1
		12	32412-AAW-001	COV. BAT TERMINAL	1
		13	90652-AAW-300	CABLE TIE	1
		14	32603-KPL-780	CABLE, ENG-FRM. EARTH	1
		15	31301-AAW-001	GASKET, USB CHARGER	1
		16	98200-31500	BLADE, FUSE, 15A	2
		17	38506-AAW-301	SUSP. START RELAY	1
		18	38110-ABH-001	HORN COMP	1
		19	38301-AAJ-102	RELAY COMP. WINKER	1
		20	38306-GE7-000	SUSPENSION, WINKER RELAY	1
		21	38501-AAW-301	RELAY COMP. START	1
		22	96001-06018-00	BOLT, FLANGE, 6 X 18	2
		23	93903-34410	SCREW, TAPPING, 4 X 16.	2
		24	32108-GW6-700	COVER ,CONNECTOR	1
		25	96001-06016-00	BOLT, FLANGE SH. 6 X 16	1
		26	91541-ABG-000	CLIP BAND	6

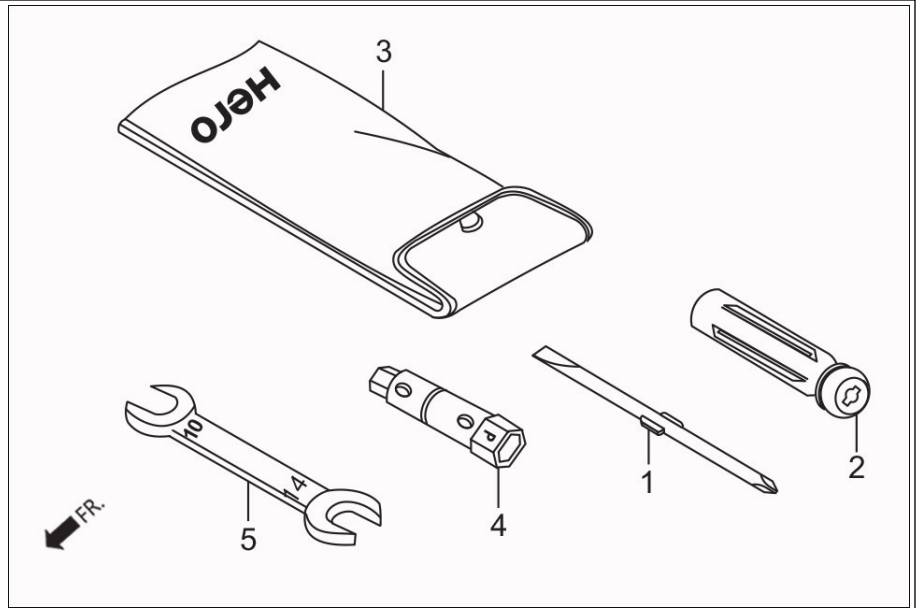
**F-23**  
FRAME BODY





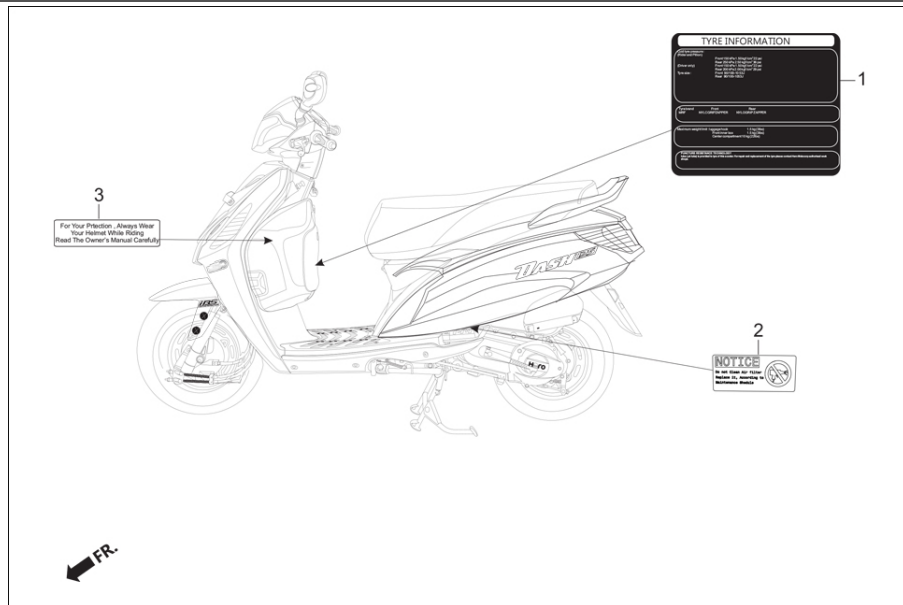
Service Item	F.R.T.	Group Number: F-23 Model :: Dash (Apr, 2020)		
Ref No.	Part Number	Description	Req.	
1	11345-AAW-300	DUCT L. COVER	1	
2	11346-AAW-000	BAND L COVER DUCT	1	
3	11347-AAW-300	BAND L COVER DUCT	1	
4	50100-ABG-210	FRAME BODY COMP. (DISC)	1	
5	50352-GW0-730	RUBBER, LINK STOPPER	1	
6	50355-ABS-000	LINK SUB ASSY ENGINE HANGER	1	
7	50353-AAW-000	BUSH RUBBER ,ENG HANGER	2	
8	77300-AAW-400	GRIP RR	1	
9	77310-AAW-000	RUBBER PAD	1	
10	50263-AAW-000	RR. GRIP BRACKET ASSY.	1	
11	80102-AAW-300	PLATE, FRAME, BODY SPLASH GUARD	1	
12	81252-AAW-500	COVER FRAME NO.	1	
13	90106-GCC-000	BOLT, FLANGE 10X238	1	
14	90304-KCS-920	NUT U 10 MM	2	
15	90672-KPL-901	BODY, CLIP	1	
16	90862-GCC-000	PLUG, FRAME, END	1	
17	90105-KJ9-000	BOLT, FLANGE 10X210	1	
18	95701-08020-00	BOLT, FLANGE, 8X20	4	
19	93500-04032-0G	SCREW, PAN, 4 X 32	1	
20	90101-087-720	SCREW, HEAD LIGHT SET	1	
21	90683-AAW-300	CLIP TRIM.	1	

**F-24  
TOOLS**



Service Item	F.R.T.	Group Number: F-24 Model :: Dash (Apr, 2020)		
Ref No.	Part Number	Description	Req.	
1	89102-538-000	SCREW, DRIVER PLUS/MINUS	1	
2	89103-538-000	GRIP, SCREW DRIVER	1	
3	89216-AAD-H00	TOOL BAG	1	
4	89216-KTP-900	WRENCH, PLUG(16)	1	
5	89218-AAL-H00	SPANNER 14	1	

## F-25 CAUTION LABEL



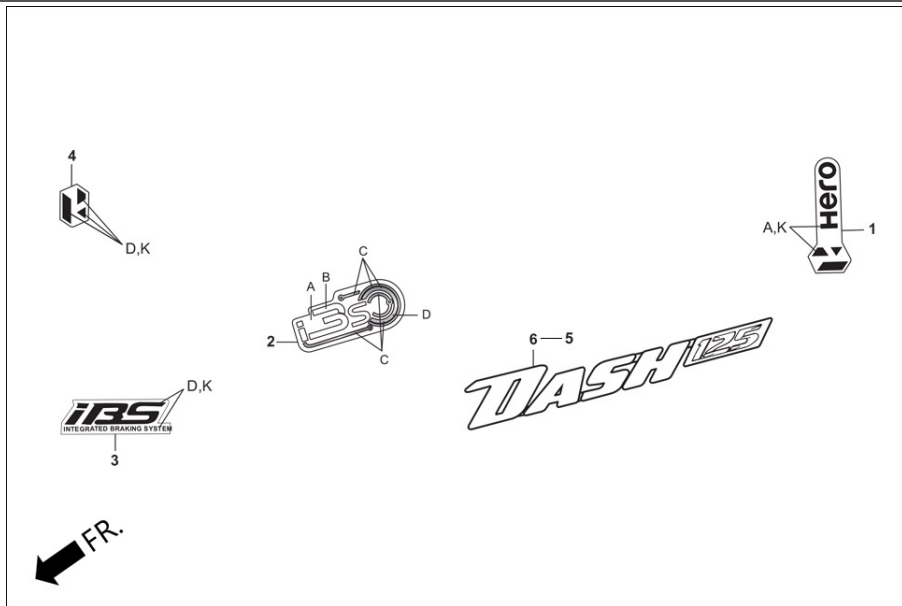
Service Item

F.R.T.

Group Number: F-25 Model :: Dash (Apr, 2020)

Ref No.	Part Number	Description	Req.
1	87505-AAW-000	LABEL TYRE	1
2	87509-AAP-000	LABEL AIR/C ELEMENT NOTICE	1
3	87560-MZ0-670	LABEL, DRIVE	1

**F-26**  
MARK/STRIPE



Service Item

F.R.T.

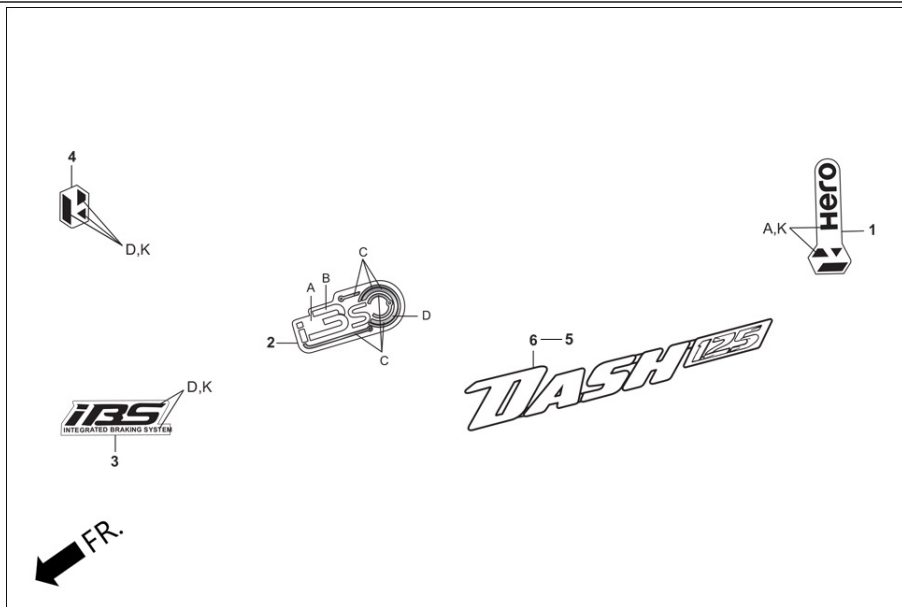
Group Number: F-26 Model :: Dash (Apr, 2020)

Ref No.	Part Number	Description	Req.
1	83771-ABG-200R	MARK CENTER RR. COWL (TYPE-1)	1
	83771-ABG-200S	MARK CENTER RR. COWL (TYPE-2)	1
	83771-ABH-400S	MARK HERO COVER RR CENTER (TYPE-2)	1

**SPECIFIED COLOUR CHART FOR, MARK CENTER RR. COWL**

SPECIFIED COLOUR TYPE	<b>A</b>	<b>K</b>	<b>MAIN BODY COLOUR</b>
1	FORCE SILVER	-----	MATT MAPPLE BROWN (RD (D)-002M (F))
2	BLACK	-----	MATT VERNIER GREY (SG-013M)
1	FORCE SILVER	-----	MATT TECHNO BLUE (BL (BR)-003M (F))
1	FORCE SILVER	-----	MATT CANDY BLAZING RED (RD (BR)-001C (F))
2	-----	FORCE SILVER	PANTHER BLACK ME. (NH-B08M)

**F-26**  
MARK/STRIPE

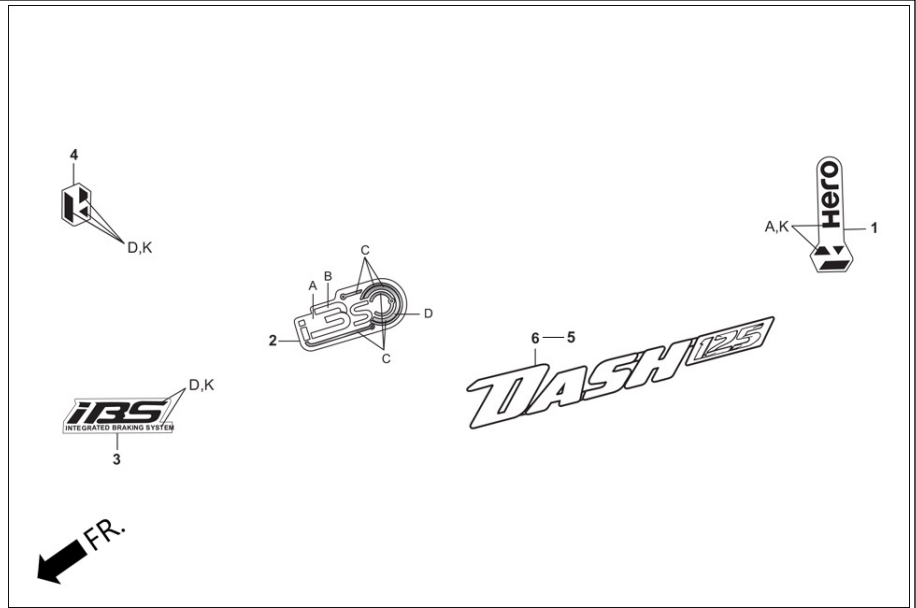


Service Item	F.R.T.	Group Number: F-26 Model :: Dash (Apr, 2020)			
		Ref No.	Part Number	Description	Req.
		2	86216-ABG-200R	MARK I3S COVER FR CENTER (TYPE-1)	1
			86216-ABG-200S	MARK I3S COVER FR CENTER (TYPE-2)	1
			86216-ABG-300R	MARK I3S COVER FR CENTER (TYPE-1)	1

**SPECIFIED COLOUR CHART FOR, MARK i3S COVER FR CENTER**

SPECIFIED COLOUR TYPE	A	B	C	D	FINISH	MAIN BODY COLOUR
1	TRANSPARENT	WHITE 2	TERRA SILVER ME.	FORCE SILVER ME.	-----	MATT MAPPLE BROWN (RD (D)-002M (F))
2	TRANSPARENT	BLACK NH-1	HEAVY GREY ME.	TERRA SILVER ME.	-----	MATT VERNIER GREY (SG-013M)
1	TRANSPARENT	WHITE 2	TERRA SILVER ME.	FORCE SILVER ME.	-----	MATT TECHNO BLUE (BL (BR)-003M (F))
1	TRANSPARENT	WHITE 2	TERRA SILVER ME.	FORCE SILVER ME.	-----	MATT CANDY BLAZING RED (RD (BR)-001C (F))
1	TRANSPARENT	WHITE 2	TERRA SILVER ME.	FORCE SILVER ME.	GLOSS	PANTHER BLACK ME. (NH-B08M)

**F-26**  
MARK/STRIPE



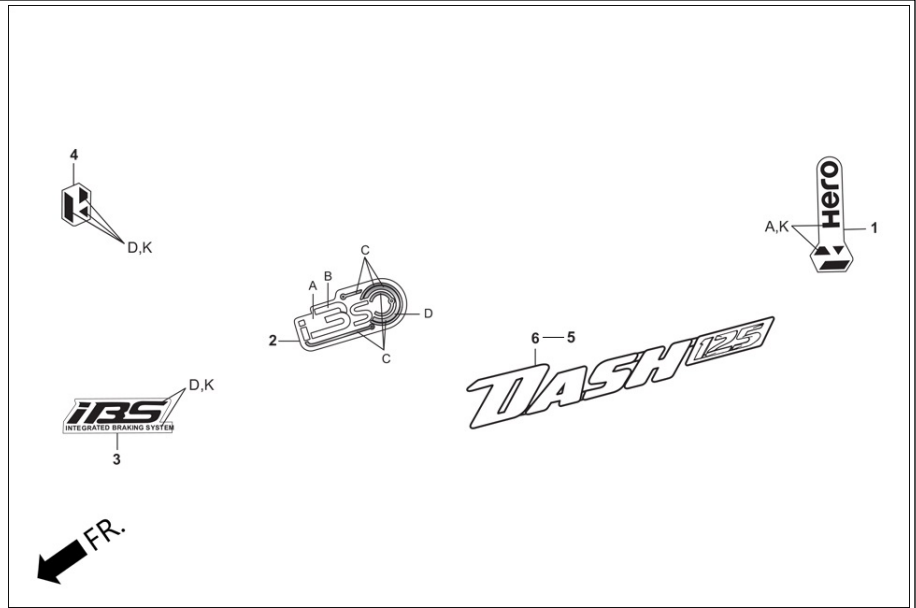
Service Item	F.R.T.	Group Number: F-26 Model :: Dash (Apr, 2020)			
		Ref No.	Part Number	Description	Req.
		3	86880-ABG-200R	MARK, IBS FR FENDER LH. (TYPE-1)	1
			86880-ABG-200S	MARK, IBS FR FENDER LH. (TYPE-2)	1
			86880-ABH-400S	MARK IBS FR FENDER LH. (TYPE-2)	1



**SPECIFIED COLOUR CHART FOR, MARK IBS FR FENDER**

SPECIFIED COLOUR TYPE	D	K	MAIN BODY COLOUR
1	FORCE SILVER	-----	MATT MAPPLE BROWN (RD (D)-002M (F))
2	BLACK	-----	MATT VERNIER GREY (SG-013M)
1	FORCE SILVER	-----	MATT TECHNO BLUE (BL (BR)-003M (F))
1	FORCE SILVER	-----	MATT CANDY BLAZING RED (RD (BR)-001C (F))
2	-----	FORCE SILVER	PANTHER BLACK ME. (NH-B08M)

**F-26**  
MARK/STRIPE



Service Item

F.R.T.

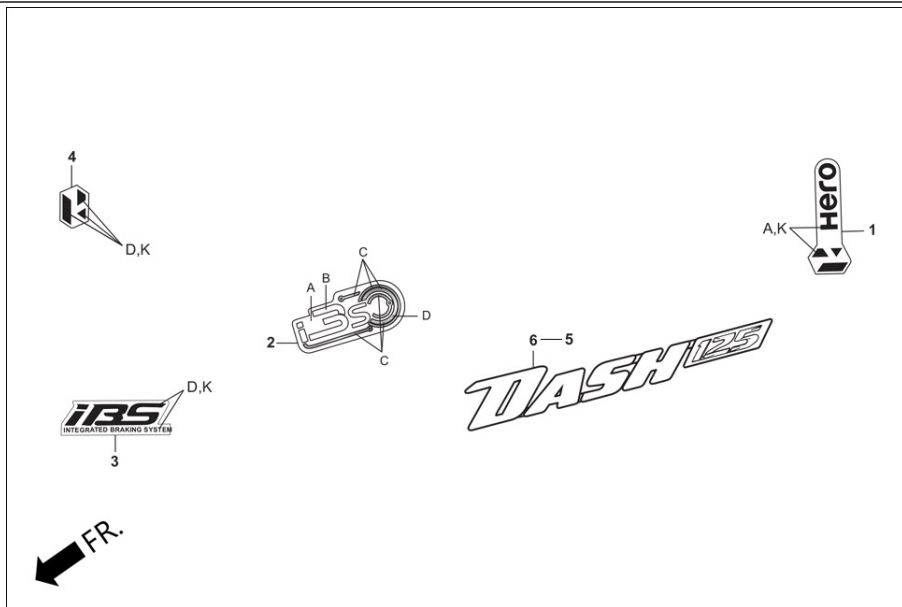
Group Number: F-26 Model :: Dash (Apr, 2020)

Ref No.	Part Number	Description	Req.
4	86641-ABG-200R	MARK HERO (TYPE-1)	1
	86641-ABG-200S	MARK HERO (TYPE-2)	1
	86641-ABH-400S	HERO MARK (TYPE-2)	1

**SPECIFIED COLOUR CHART FOR, MARK HERO**

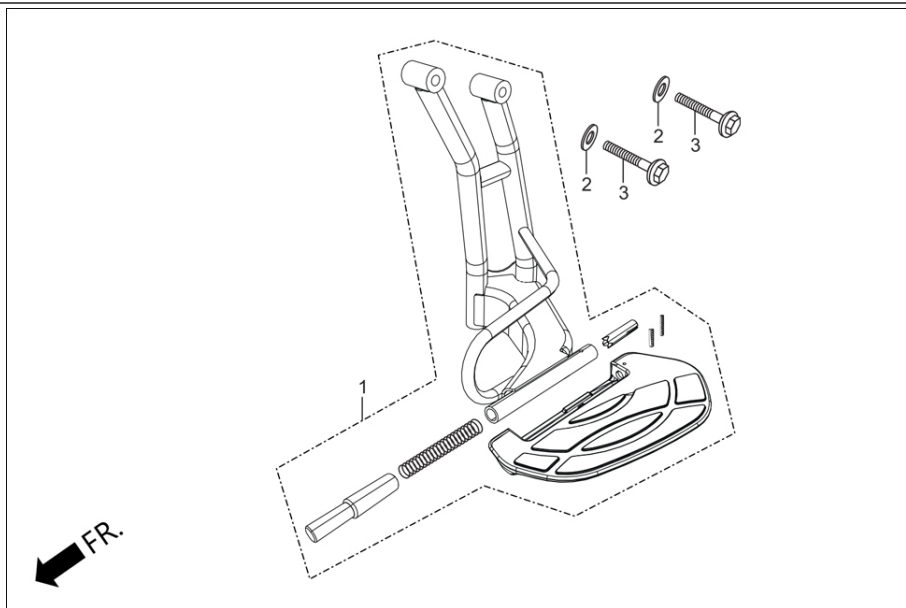
SPECIFIED COLOUR TYPE	D	K	MAIN BODY COLOUR
1	FORCE SILVER	-----	MATT MAPPLE BROWN (RD (D)-002M (F))
2	BLACK	-----	MATT VERNIER GREY (SG-013M)
1	FORCE SILVER	-----	MATT TECHNO BLUE (BL (BR)-003M (F))
1	FORCE SILVER	-----	MATT CANDY BLAZING RED (RD (BR)-001C (F))
2	-----	FORCE SILVER	PANTHER BLACK ME. (NH-B08M)

**F-26**  
MARK/STRIPE



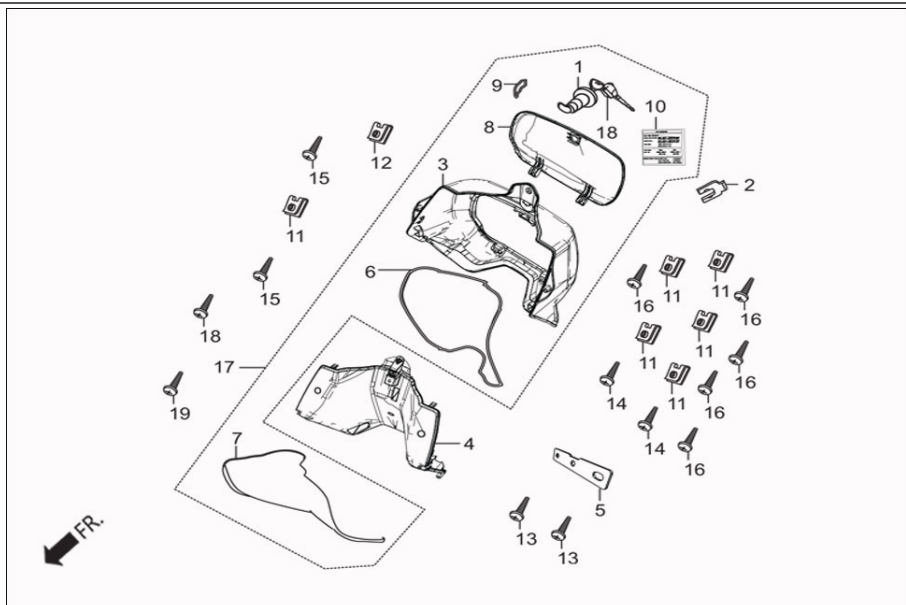
Service Item	F.R.T.	Group Number: F-26 Model :: Dash (Apr, 2020)			
		Ref No.	Part Number	Description	Req.
		5	86833-ABG-300	EMBLEM R BODY COVER	1
		6	86834-ABG-300	EMBLEM L BODY COVER	1

**FOP-1**  
SARI STEP SET (OPTIONAL)



Service Item	F.R.T.	Group Number: FOP-1 Model :: Dash (Apr, 2020)			
		Ref No.	Part Number	Description	Req.
		1	83541-AA Y-000	STEP ASSY., SAREE	1
		2	94101-05000	WASHER , PLAIN, 5MM	2
		3	95801-08045-00	BOLT FLANGE 8X45	2

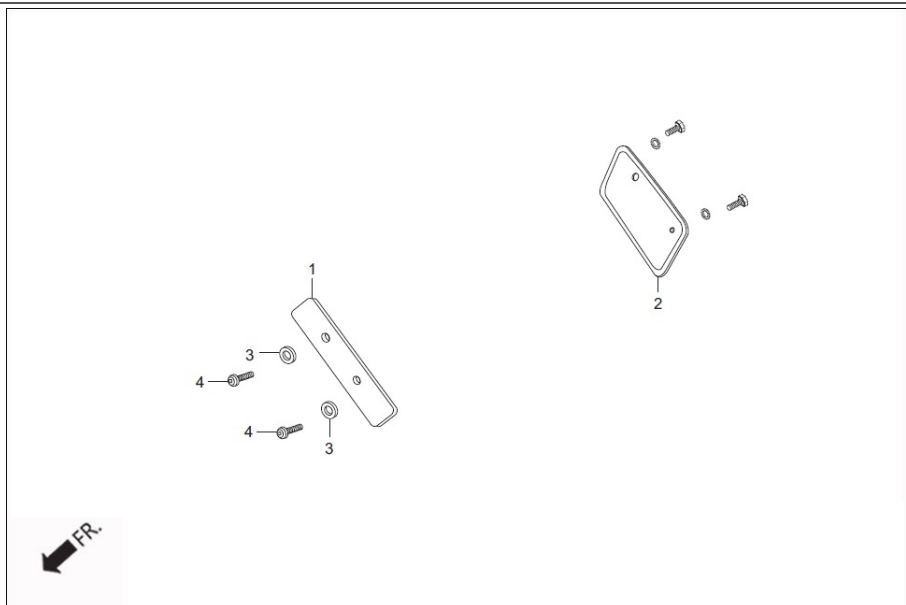
**FOP-2**  
FR. INNER BOX (OPTIONAL)



Service Item	F.R.T.	Group Number: FOP-2 Model :: Dash (Apr, 2020)			
		Ref No.	Part Number	Description	Req.
		1	77232-AAW-000	LOCK ASSY. INNER BOX	1
		2	75581-673-000	SET SPRING, LOCK KEY	1
		3	81134-AAW-000	OUTER INNER BOX	1
		4	81135-AAW-000	INNER INNER BOX	1
		5	81136-AAW-000	STAY INNER BOX	1
		6	81137-AAW-000	SEAL INNER BOX	1
		7	81138-AAW-000	SEAL OUTER INNER	1
		8	81141-AAW-000	LID INNER BOX	1
		9	81143-AAW-300	PIN LID INNER BOX	1
		10	87505-AAW-000	LABEL TYRE	1
		11	90344-AAW-000	NUT CLIP 5MM	5
		12	90677-KAN-961	NUT CLIP 5MM	1
		13	93903-25880	SCREW TAPPING 5X40	2
		14	93903-25580	SCREW TAPPING 5X25	2
		15	93903-35380	SCREW TAPPING 5X16	2
		16	93903-25380	SCREW TAPPING 5X16	5
		17	81130-AAW-000	BOX ASSY INNER	1
		18	81145-AAW-000	KEY SET INNER BOX	1
		19	93891-05016-07	SCREW WASH 5X16	1

## FOP-3

FR./RR.NUMBER PLATE (OPTIONAL)

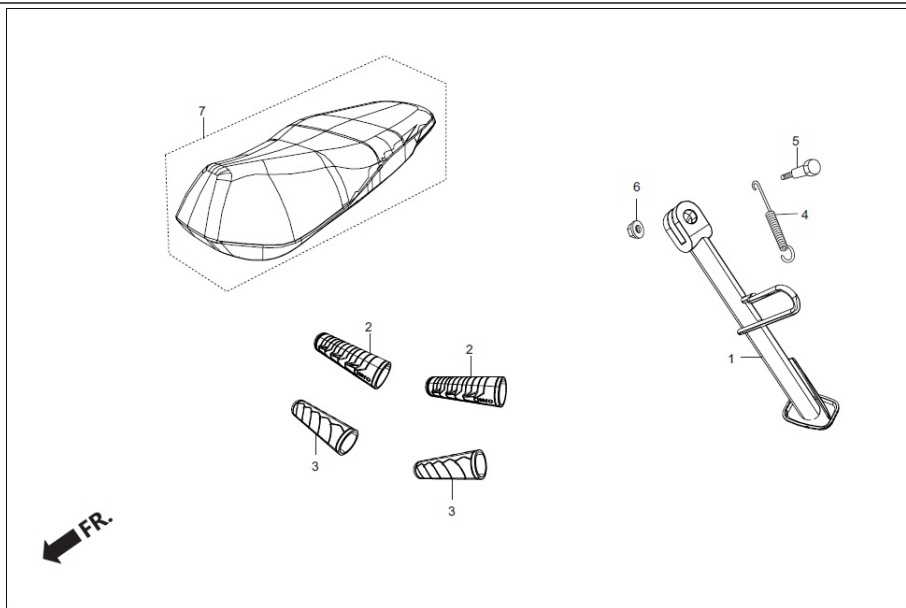


Service Item	F.R.T.
* FR/RR NUMBER PLATE (OPIONAL)	0.2

Group Number: FOP-3 Model :: Dash (Apr, 2020)			
Ref No.	Part Number	Description	Req.
1	64310-198-D20A	PLATE, FRONT NUMBER	1
2	84701-P26-D00A	NUMBER, PLATE REAR	1
3	94101-05000	WASHER , PLAIN, 5MM	2
4	93500-05010-1A	SCREW, PAN, 5X10	2

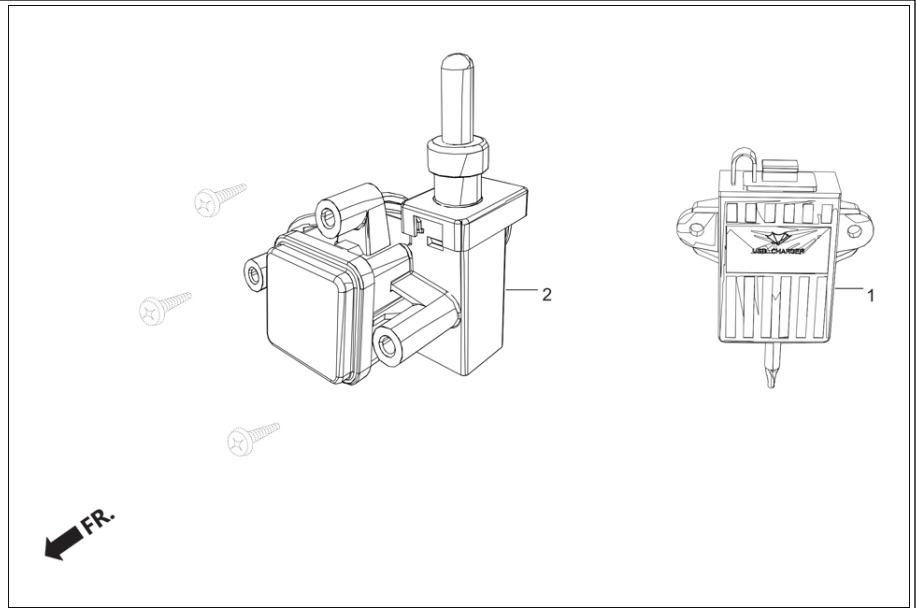


**FOP-4**  
SIDE STAND/COVER ASSY. SEAT  
(OPTIONAL)



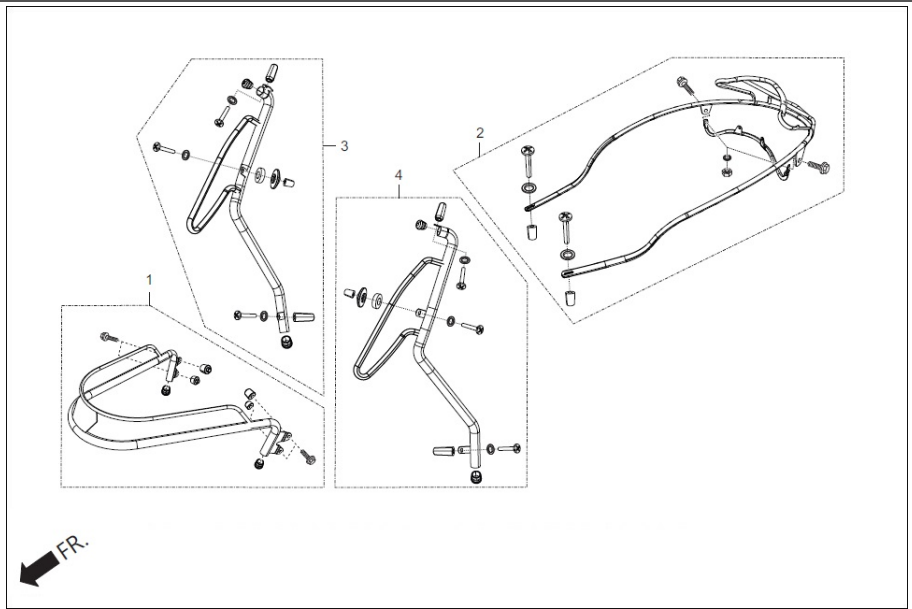
Service Item	F.R.T.	Group Number: FOP-4 Model :: Dash (Apr, 2020)			
		Ref No.	Part Number	Description	Req.
		1	50530-AAW-000	BAR COMP. SIDE STAND	1
		2	99620-AAW-001	GRIP COVER - FLUID (SET OF 2)	2
		3	99621-AAW-001	GRIP COVER - WEDGE (SET OF 2)	2
		4	50536-KPL-900	SPG. SIDE SET	1
		5	90107-AAB-000	SCREW SIDE STAND PIVOT	1
		6	90304-KCS-920	NUT U 10 MM	1
		7	99630-AAW-001	SEAT COVER-EL BASIC MAESTRO EDGE	1
			99631-AAW-001	SEAT COVER-EL CARBON MAESTRO EDGE	1
			99632-AAW-001	SEAT COVER-CARBON & LAMINATION MAESTRO	1
			99633-AAW-001	COVER ASSY. SEAT	1
			99634-AAW-001	SEAT COVER-SL SIDE & LAMINATION MAESTRO	1

**FOP-5**  
 USB CHARGER ASSY. /LIGHT ASSY., BOOT  
 (OPTIONAL)



Service Item	F.R.T.	Group Number: FOP-5 Model :: Dash (Apr, 2020)			
		Ref No.	Part Number	Description	Req.
		1	31300-AAW-001	USB CHARGER ASSY	1
		2	33200-AAW-301	LIGHT ASSY., BOOT.	1

**FOP-6**  
 BEADING ASSY.R./L./FR./RR. (OPTIONAL)



Service Item	F.R.T.	Group Number: FOP-6 Model :: Dash (Apr, 2020)		
Ref No.	Part Number	Description	Req.	
1	9960A-AAW-001	BEADING FRONT SUB ASSY	1	
2	9960D-AAW-001	BEADING REAR SUB ASSY	1	
3	9960B-AAW-001	BEADING MIDDLE R SUB ASSY	1	
4	9960C-AAW-001	BEADING MIDDLE L SUB ASSY	1	

# **PARTS INDEX**

<b>PART NO</b>	<b>BLOCK</b>	<b>PART NO</b>	<b>BLOCK</b>
2120A-AAW-000	E-14	15135-AAW-000	E-9
3310B-AAW-10099	F-1	15331-436-000	E-9
3340B-ABG-301	F-19	15332-436-000	E-9
3345B-ABG-301	F-19	15421-107-000	E-15
3370B-ABG-301	F-20	15426-KCW-880	E-15
3372B-AAW-101	F-14	15543-AAW-000	F-13
06451-ABG-010	F-9B	15651-AAW-000	E-7
06455-ABG-010	F-9B	16010-AAW-301	E-17
7720B-AAW-000	F-12	16012-ABS-000	E-17
9960A-AAW-001	FOP-6	16013-AAW-301	E-17
9960D-AAW-001	FOP-6	16014-AAW-301	E-17
9960B-AAW-001	FOP-6	16015-ABS-000	E-17
9960C-AAW-001	FOP-6	16016-AAW-301	E-17
11100-ABG-200	E-7	16027-AAW-301	E-17
11103-AAW-000	E-7	16028-ABS-000	E-17
11103-AAW-000	E-11	16029-ABS-000	E-17
11200-ABG-200	E-15	16030-AAW-301	E-17
11203-AAW-000	E-15	16032-ABS-001	E-17
11211-AAW-000	E-2	16033-ABS-000	E-17
11220-GCC-000	E-14	16034-AAW-301	E-17
11230-ABG-000	E-11	16035-ABS-000	E-17
11340-AAW-300	E-11	16036-AAW-301	E-17
11341-AAL-500	E-11	16100-ABS-000	E-17
11345-AAW-300	F-23	16131-ABS-000	E-17
11346-AAW-000	F-23	16201-AAW-300	E-3
11347-AAW-300	F-23	16211-ABG-000	E-3
11361-AAW-000	E-7	16212-AAW-301	E-3
12100-ABG-000	E-6	16213-AAW-000	F-3
12191-AAL-00099	E-6	16229-ABG-000	E-3

12200-ABG-000	E-3	16950-KRP-981	F-13
12206-KPL-900	E-3	17029-AAW-000	F-13
12208-ABG-000	E-4	17110-ABG-000	E-3
12251-ABG-000	E-3	17113-AAW-000	E-3
12310-ABG-000	E-2	17208-ABS-001	F-15
12315-ABG-000	E-2	17212-AAL-200	F-15
12361-035-000	E-15	17215-AAL-500	F-15
12391-ABG-000	E-2	17216-KTP-900	F-15
13000-ABG-000	E-16	17231-AAW-000	F-15
13011-AAN-410	E-16	17233-AAW-300	F-15
13101-ABS-201	E-16	17234-KCC-940	F-15
13111-087-000	E-16	17253-ABG-000	F-15
13115-001-000	E-16	17316-611-000	F-15A
14100-ABG-000	E-4	17320-AAW-000	F-13
14311-KPL-900	E-16	17450-AAW-000	F-13
14321-AAL-000	E-4	17451-AAW-000	F-13
14401-AAW-00099	E-5	17500-AAW-000	F-13
14430-ABG-000	E-4	17515-AAW-000	F-12
14440-ABG-000	E-4	17544-AAW-000	F-13
14451-ABG-000	E-4	17545-AAW-000	F-13
14461-GCC-000	E-4	17546-AAW-000	F-13
14510-AAW-000	E-5	17620-AAW-000	F-13
14520-KPL-840	E-5	17684-AAW-000	F-13
14531-GCC-000	E-5	17696-AAW-000	F-13
14560-KCW-880	E-5	17697-AAW-000	F-13
14611-AAW-000	E-5	17910-ABS-00099	F-3
14711-ABG-000	E-4	17950-AAW-300	F-3
14721-ABG-000	E-4	18292-GY1-610	F-16
14751-ABG-000	E-4	18292-KTP-900	F-16
14771-ABG-000	E-4	18293-AAW-000	F-16

14777-KN7-670	E-4	18300-ABG-200	F-16
14781-ABG-000	E-4	18318-ABG-000	F-16
15100-AAW-000	E-9	18319-ABG-000	F-16
15131-KPL-900	E-16	18340-ABG-000	F-16
15133-AAW-000	E-9	18600-AAW-301	F-15A



<b>PART NO</b>	<b>BLOCK</b>	<b>PART NO</b>	<b>BLOCK</b>
18640-ABG-200	E-3	31300-AAW-001	F-22
18645-MT4-730	E-3	31300-AAW-001	FOP-5
18651-AAW-000	F-15A	31301-AAW-001	F-22
18652-ABG-200	F-15A	31500-KRP-801	F-21
18653-AAW-000	F-15A	31600-AAW-301	F-22
18805-KPL-900	F-14	31916-KPH-90099	E-3
18807-KPL-900	F-14	32100-ABG-300	F-22
18812-KPL-900	F-14	32102-ABG-000	F-3
19510-KTP-900	E-8	32105-KTP-891	E-10
19610-AAW-000	E-1	32108-GW6-700	F-22
19621-ABG-000	E-1	32175-AAW-000	F-20
19623-KPL-900	E-1	32412-AAW-001	F-22
19625-ABG-000	E-1	32603-KPL-780	F-22
19631-ABG-000	E-1	32907-KPL-900	E-8
19639-GBC-000	E-1	32976-107-010	E-8
21395-AAW-000	E-14	33112-KTN-921	F-1
22100-AAW-300	E-13	33120-AAW-00099	F-1
22102-AAL-500	E-12	33128-GBL-000	F-1
22105-AAW-300	E-12	33130-AAW-101	F-1
22109-AAL-500	E-12	33200-AAW-301	F-12
22110-AAW-300	E-12	33200-AAW-301	FOP-5
22113-AAW-300	E-12	33405-AAW-101	F-19
22121-ABG-200	E-12	33410-ABG-201	F-19
22131-AAW-300	E-12	33455-AAW-101	F-19
22132-AAL-500	E-12	33460-ABG-201	F-19
22350-KWP-900	E-13	33710-ABG-201	F-20
22361-GFM-900	E-13	33715-ABG-200	E-1
22401-AAW-000	E-13	33715-ABG-301	F-20
22535-AAW-000	E-13	33721-AAW-101	F-14

22804-148-000	E-13	33722-KVE-900	F-14
23100-AAL-500	E-13	33723-KVE-900H	F-14
23205-AAW-300	E-13	33729-MCZ-003	F-14
23224-AAW-300	E-13	33741-AAN-601	F-5
23225-AAW-301	E-13	33741-AAM-101	F-14
23233-ABG-200	E-13	34351-AAB-401	F-1
23237-AAW-300	E-13	34351-AAB-401	F-14
23238-AAW-300	E-13	34901-KSP-910	F-1
23411-AAW-300	E-14	34901-KSP-910	F-1
23421-ABG-200	E-14	34901-KSP-910	F-1
23422-GCC-000	E-14	34901-AAM-001	F-1
23430-ABG-200	E-14	34908-AAB-401	F-19
28120-KPL-901	E-10	34908-AAB-401	F-20
28223-GCC-000	E-12	34911-AAW-301	F-12
28230-AAL-500	E-12	35010-AAW-301	F-4
28250-AAL-500	E-12	35100-AAW-301	F-4
28253-KVT-900	E-12	35103-AAW-001	F-4
28255-KPL-900	E-12	35121-AAW-001	F-4
28281-GCC-000	E-12	35121-AAW-011	F-4
28300-AAL-400	F-17	35160-AAW-001	F-3
30401-ABS-000	F-22	35170-AAW-001	F-3
30440-ABS-000	F-22	35180-AAW-001	F-3
30510-AAW-001	F-22	35190-ABG-201	F-3
30604-KTP-890	F-22	35200-AAW-001	F-3
30605-KTP-951	F-22	35340-KTP-890	F-3
30700-KTP-951	F-22	35340-KCC-841	F-3A
31100-ABG-201	E-8	35380-ABS-001	F-3
31110-ABG-201	E-8	37200-ABG-301	F-2
31120-AAW-301	E-8	37202-AAW-001	F-2
31204-KTP-890	E-10	37210-ABG-301	F-2

31206-KTP-890	E-10	37212-AAW-001	F-2
31210-AAW-00099	E-10	37213-ABG-201	F-2
31211-AAW-001	E-10	37216-AAW-001	F-12
31212-KTP-890	E-10	37800-AAW-00099	F-13
31214-AAW-001	E-10	37801-GA7-700	F-13

<b>PART NO</b>	<b>BLOCK</b>	<b>PART NO</b>	<b>BLOCK</b>
37802-GA7-700	F-13	50353-AAW-000	F-23
38110-ABH-001	F-22	50355-ABS-000	F-23
38301-AAJ-102	F-22	50380-AAW-000	F-21
38306-GE7-000	F-22	50500-ABG-000	F-17
38501-AAW-301	F-22	50501-KTP-900	E-11
38506-AAW-301	F-22	50503-GCC-000	F-17
42601-ABG-200	F-11	50505-GCC-000	F-17
42711-AAL-00099	F-11	50530-AAW-000	FOP-4
42753-AAL-001	F-10	50536-KPL-900	FOP-4
42753-AAL-001	F-11	50621-AAW-000	F-7
43141-KTP-900	F-11	50633-AAW-000	F-7
43300-ABG-010	F-10B	50638-AAW-000	F-7
43314-ABG-010	F-10B	50646-AAW-000	F-7
43340-ABG-010	F-10B	50710-AAW-000	F-7
43341-ABG-010	F-10B	50715-AAW-000	F-7
43342-ABG-010	F-10B	50731-KV3-770	F-15
43344-AAW-010	F-10B	51400-ABG-210	F-9A
43410-AAW-000	F-11	51400-AAW-3000-20	F-9A
43450-ABG-010	F-3	51401-AAW-300	F-9A
43455-ABG-010	F-10	51410-AAW-300	F-9A
43472-KPL-900	F-11	51412-KSP-901	F-9A
44301-AAW-000	F-10	51414-AAW-000	F-9A
44311-ABG-010	F-10	51420-ABG-210	F-9A
44601-ABG-210	F-10	51425-KST-901	F-9A
44620-AAW-000	F-10	51432-KFN-851	F-9A
44680-410-000	F-10	51437-KVN-901	F-9A
44711-AAW-00099	F-10	51440-AAW-001	F-9A
44800-ABG-010	F-10	51500-ABG-210	F-9A
44804-ABG-010	F-10	51503-ABG-010	F-9A

44805-KTP-900	F-10	51520-ABG-210	F-9A
44809-170-000	F-10	52400-AAW-000	F-18
44810-KTC-900	F-10	52485-088-901	F-18
44830-AAW-300	F-2	52486-GA7-003	F-18
44831-KTP-900	F-2	53100-AAW-500	F-4
45120-ABG-010	F-3A	53124-ABS-000	F-4
45125-AAH-F0099	F-11	53140-AAW-000	F-3
45128-ABG-010	F-3A	53155-AAW-000	F-4
45133-KCC-900	F-11	53166-AAW-000	F-3
45137-ABG-010	F-9B	53167-ABG-010	F-3
45152-ABG-010	F-3A	53168-ABG-010	F-3
45156-ABG-010	F-3A	53172-ABG-000	F-3
45159-ABG-010	F-3A	53173-KPL-900	F-3
45211-ABG-010	F-9B	53178-AAL-100	F-3
45220-ABG-010	F-9B	53200-AAW-500	F-9
45221-ABG-010	F-9B	53205-ABG-200R	F-4
45250-ABG-010	F-9B	53205-ABG-200S	F-4
45251-ABG-010	F-10	53205-ABG-200T	F-4
45451-AAW-000	F-5	53205-ABG-200U	F-4
45500-ABG-010	F-3A	53205-AAW-A00T	F-4
45502-ABG-010	F-3A	53206-AAW-000	F-4
45508-ABG-010	F-3A	53209-GAH-000	F-1
45509-ABG-010	F-3A	53210-KTP-900	F-9
45513-KCC-841	F-3A	53211-KEM-900	F-9
45519-ABG-010	F-3A	53212-250-010	F-9
45530-ABG-010	F-3A	53214-250-000	F-9
46427-AAB-A00	F-3A	53215-KPL-900	F-9
50100-ABG-210	F-23	53215-KTP-900	F-9
50263-AAW-000	F-23	53218-ABG-200	F-4
50301-KEM-900	F-9	53228-ABG-200	F-4

50302-KPL-900	F-9	61000-ABG-210R	F-5
50306-KPL-900	F-9	61000-ABG-210S	F-5
50327-AAW-000	F-21	61000-ABG-210T	F-5
50330-ABG-210	F-21	61000-ABG-210U	F-5
50352-GW0-730	F-23	61000-ABH-400S	F-5

<b>PART NO</b>	<b>BLOCK</b>	<b>PART NO</b>	<b>BLOCK</b>
61104-428-000	F-6	80145-AAW-000	F-14
61140-ABG-300R	F-4	80151-AAW-000	F-8
61140-ABG-300S	F-4	80152-ABG-200	F-8
61140-ABG-300T	F-4	80153-AAW-000	F-13
61140-ABG-300U	F-4	80154-AAW-000	F-13
61140-ABG-300V	F-4	80155-ABG-201	F-13
64150-AAW-000	F-7	80158-AAW-000	F-12
64301-ABG-200R	F-6	80159-AAW-000	F-13
64301-ABG-200S	F-6	80203-AAW-000	F-14
64301-ABG-200T	F-6	81130-AAW-000	FOP-2
64301-ABG-200U	F-6	81131-AAW-300	F-6
64301-ABH-400S	F-6	81132-AAW-000	F-6
64303-ABG-200	F-6	81133-AAW-500	F-12
64308-ABG-200R	F-6	81134-AAW-000	FOP-2
64308-ABG-200S	F-6	81135-AAW-000	FOP-2
64308-ABG-200T	F-6	81136-AAW-000	FOP-2
64308-ABG-200U	F-6	81137-AAW-000	FOP-2
64308-ABG-300V	F-6	81138-AAW-000	FOP-2
64309-AAW-000	F-7	81139-AAW-000	F-12
64310-ABG-300R	F-6	81141-AAW-000	FOP-2
64310-ABG-300S	F-6	81143-AAW-300	FOP-2
64310-ABG-300T	F-6	81145-AAW-000	FOP-2
64310-ABG-300U	F-6	81250-AAW-000	F-12
64310-ABG-300V	F-6	81252-AAW-500	F-23
64310-AAW-000	F-7	81253-AAW-000	F-12
64310-198-D20A	FOP-3	82871-AAW-000	E-1
64311-ABG-200	F-6	82871-KTP-900	E-1
64320-ABG-200R	F-7	83139-AAW-000	F-8
64320-AAW-000Z	F-7	83300-ABG-300R	F-8

64320-ABG-200T	F-7	83300-ABG-300S	F-8
64320-ABG-200U	F-7	83300-ABG-300T	F-8
64320-AAW-000T	F-7	83300-ABG-300U	F-8
64330-ABG-200R	F-7	83300-ABG-300V	F-8
64330-AAW-000Z	F-7	83400-ABG-300R	F-8
64330-ABG-200T	F-7	83400-ABG-300S	F-8
64330-ABG-200U	F-7	83400-ABG-300T	F-8
64330-AAW-000T	F-7	83400-ABG-300U	F-8
75581-673-000	F-8	83400-ABG-300V	F-8
75581-673-000	FOP-2	83403-AAW-000	F-4
77115-AAW-000	F-12	83407-AAW-000	F-4
77200-ABG-200	F-12	83408-AAW-000	F-12
77201-AAW-000	F-12	83541-AAW-000	FOP-1
77202-AAW-000	F-13	83560-AAW-000	F-8
77206-AAW-000	F-12	83561-AAW-000	F-8
77206-KG8-900	F-12	83562-AAW-000	F-20
77211-AAW-000	F-12	83700-ABG-200R	F-8
77232-AAW-000	FOP-2	83700-AAW-000Z	F-8
77234-AAW-000	F-12	83700-ABG-200T	F-8
77235-AAW-000	F-12	83700-ABG-200U	F-8
77236-AAW-000	F-12	83700-ABH-400S	F-8
77236-GBL-000	F-12	83702-ABG-200R	F-8
77243-AAW-001	F-12	83702-ABG-200S	F-8
77244-AAW-000	F-13	83702-ABG-200T	F-8
77245-AAW-000	F-12	83702-ABG-200U	F-8
77251-KPL-900	F-12	83702-ABH-400S	F-8
77300-AAW-400	F-23	83771-ABG-200R	F-26
77310-AAW-000	F-23	83771-ABG-200S	F-26
80102-AAW-300	F-23	83771-ABH-400S	F-26
80104-AAW-300	F-14	84701-P26-D00A	FOP-3



80105-AAW-000	F-14	84703-425-000	F-6
80106-AAW-000	F-14	86216-ABG-200R	F-26
80107-AYY-000	F-4	86216-ABG-200S	F-26
80107-AYY-000	F-14	86216-ABG-300R	F-26
80132-AAW-000	F-14	86641-ABG-200R	F-26

<b>PART NO</b>	<b>BLOCK</b>	<b>PART NO</b>	<b>BLOCK</b>
86641-ABG-200S	F-26	90302-KTE-911	F-5
86641-ABH-400S	F-26	90303-KCC-841	F-3A
86833-ABG-300	F-26	90304-KPL-900	F-3
86834-ABG-300	F-26	90304-KCS-920	F-4
86880-ABG-200R	F-26	90304-KCS-920	F-23
86880-ABG-200S	F-26	90304-KCS-920	FOP-4
86880-ABH-400S	F-26	90305-KPL-900	F-11
87505-AAW-000	F-25	90306-KST-942	F-10
87505-AAW-000	FOP-2	90306-KTE-911	F-10
87509-AAP-000	F-25	90306-KVT-941	F-21
87541-AAW-300	E-1	90307-GJ6-000	F-1
87560-MZ0-670	F-25	90308-KPL-840	F-16
88110-ABG-200	F-3	90311-AAA-000	F-14
88120-ABG-200	F-3	90312-AAW-000	F-16
89102-538-000	F-24	90344-AAW-000	F-6
89103-538-000	F-24	90344-AAW-000	F-7
89216-AAD-H00	F-24	90344-AAW-000	FOP-2
89216-KTP-900	F-24	90381-KWA-940	F-5
89218-AAL-H00	F-24	90401-GCC-000	E-3
90001-KPL-900	E-9	90402-AAW-000	E-3
90001-AAW-000	F-9	90410-GCC-000	E-8
90005-KY7-000	E-5	90412-329-000	E-12
90008-KPL-900	E-15	90426-KVB-900	E-12
90012-333-000R	E-4	90441-AAW-000	E-13
90017-KPL-900	E-2	90451-KVT-900	E-12
90031-ABG-200	E-7	90474-333-000	E-15
90032-ABG-200	E-15	90501-KPL-900	F-11
90033-AAW-300	E-17	90543-MV9-670	E-2
90035-GW3-980	F-2	90544-439-930	F-9A

90083-KRM-840	E-4	90545-300-000	F-3A
90083-KRM-840	E-8	90601-KWP-900	E-13
90101-GJ6-000	F-1	90601-GF5-730	F-9A
90101-087-720	F-7	90602-KPL-900	E-2
90101-087-720	F-23	90602-KPL-900	F-15
90102-AAW-000	F-16	90605-166-720	E-13
90105-MK5-010	F-10	90608-KVT-901	E-12
90105-AAW-000	F-12	90652-AAW-300	F-22
90105-KJ9-000	F-23	90657-AAW-300	F-4
90106-GCC-000	F-23	90666-AAB-000	F-6
90107-AAB-000	FOP-4	90672-KPL-901	E-1
90111-KCC-841	F-3A	90672-KPL-901	F-23
90111-187-000	F-5	90677-KAN-961	FOP-2
90111-KPL-900	F-6	90683-AAW-300	F-23
90111-KPL-900	F-8	90701-GF6-000	E-3
90111-187-000	F-8	90701-GF6-000	E-6
90111-KPL-900	F-17	90701-GF6-000	E-9
90111-187-000	F-20	90701-GF6-000	E-11
90112-KCC-841	F-3A	90701-GF6-000	E-14
90112-KTP-900	F-11	90741-KPL-900	E-16
90112-KRP-900	F-12	90754-KPL-900	F-10
90113-AAY-000	F-4	90862-GCC-000	F-23
90114-ABG-010	F-3A	90912-KPL-900	E-15
90115-KPL-900	F-3	90912-KPL-900	F-10
90116-KTP-900	F-4	91001-GCC-000	E-16
90116-AAW-001	F-9A	91002-GCC-000	E-16
90122-KVT-941	F-21	91004-ABG-000	E-15
90123-AAW-300	F-9A	91009-KVY-961	E-13
90145-MS9-610	F-3A	91009-KVY-961	E-14
90155-KY4-900	F-9B	91009-GW3-980	E-14

90164-KPL-900	F-4	91101-ABG-000	E-16
90201-GCC-000	E-3	91102-ABG-000	E-16
90202-KPL-900	E-13	91103-ABG-000	E-16
90206-001-000	E-4	91109-KVY-901	E-13
90301-AAW-000	F-8	91201-KPL-901	E-7

<b>PART NO</b>	<b>BLOCK</b>	<b>PART NO</b>	<b>BLOCK</b>
91201-KPL-901	E-15	93903-24380	F-13
91202-KTP-900	E-15	93903-24480	F-14
91203-KPL-901	E-14	93903-25480	F-15
91204-AAW-000	E-14	93903-25880	F-19
91211-GK8-013	E-13	93903-34410	F-19
91255-KPL-901	E-14	93903-34410	F-22
91255-169-000R	F-9A	93903-25880	FOP-2
91258-KEJ-900	F-10	93903-25580	FOP-2
91301-HM5-630	E-5	93903-35380	FOP-2
91301-053-000	E-14	93903-25380	FOP-2
91302-001-020	E-15	93904-25380	E-1
91304-GB1-900	E-3	93913-AAW-001	F-20
91304-ABG-000	E-3	93913-24120	F-20
91306-105-690	E-5	94002-10070-0S	F-3
91307-035-000	E-7	94030-14200	E-12
91307-639-000	E-7	94030-12200	E-13
91309-KTP-890	E-10	94050-06000	E-3
91351-642-000	E-13	94050-10000	E-8
91351-GR1-000	E-13	94050-08000	E-14
91352-GAZ-930	F-2	94050-06000	F-6
91356-AAW-300	F-9A	94050-06000	F-12
91406-KFN-850	F-13	94050-05000	F-14
91462-KM7-910	F-15A	94050-06000	F-14
91509-AAW-000	F-8	94050-06000	F-15A
91541-ABG-000	F-22	94101-06000	F-14
91547-AAW-000	F-20	94101-06700	F-16
92000-06016-0A	F-14	94101-05000	FOP-1
92201-08032-0A	F-18	94101-05000	FOP-3
92800-12000-00	E-7	94102-12000	F-4

92900-06016-0B	E-3	94102-12000	F-17
93401-06020-00	F-3	94103-05800	F-3
93401-06020-00	F-4	94103-04800	F-17
93404-06020-00	E-1	94109-12000	E-7
93404-06020-00	F-12	94201-25250	F-7
93404-06012-00	F-14	94201-25250	F-17
93404-06040-07	F-15	94201-AAW-000	F-17
93404-06016-07	F-16	94301-08200	E-7
93412-05012-08	E-10	94520-52150	E-15
93500-05020-0G	F-3	95001-45390-40	F-13
93500-06018-07	F-8	95002-02120	E-2
93500-04032-0G	F-23	95002-50000	F-13
93500-05010-1A	FOP-3	95002-02080	F-13
93891-05014-18	F-17	95002-02070	F-13
93891-05016-07	FOP-2	95002-02100	F-13
93892-04006-08L	E-10	95002-02130	F-15
93901-34120	E-9	95002-02070	F-15A
93901-34310	F-1	95003-23027-60	F-13
93901-32220	F-4	95003-23033-60	F-13
93901-22010	F-8	95003-23032-60	F-15
93901-24480	F-14	95005-14070-30	F-17
93903-25380	E-1	95014-71202	F-17
93903-34110	E-2	95015-42000	F-11
93903-34110	E-11	95015-32001	F-11
93903-22480	F-2	95018-AAW-000	F-15
93903-25180	F-4	95701-06014-00	E-2
93903-34480	F-4	95701-06014-00	E-3
93903-34410	F-4	95701-06025-00	E-3
93903-25380	F-6	95701-06100-00	E-3
93903-34410	F-6	95701-06022-00	E-5

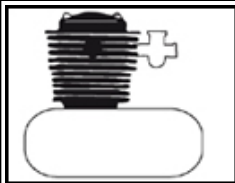
93903-25380	F-7	95701-06022-00	E-7
93903-34110	F-8	95701-06055-00	E-7
93903-34410	F-8	95701-06080-00	E-7
93903-35380	F-8	95701-06115-00	E-7
93903-34410	F-12	95701-06016-00	E-8

<b>PART NO</b>	<b>BLOCK</b>
95701-06030-00	E-14
95701-06040-00	E-14
95701-08012-00	E-15
95701-05016-00	F-3
95701-06025-00	F-6
95701-06016-00	F-12
95701-08020-00	F-13
95701-06012-00	F-15
95701-06012-00	F-15A
95701-08025-07	F-17
95701-06012-07	F-20
95701-06012-00	F-21
95701-06012-00	F-22
95701-08020-00	F-23
95801-10055-00	F-4
95801-AAW-000	F-16
95801-10035-00	F-18
95801-08045-00	FOP-1
96001-06025-07	E-1
96001-06016-00	E-3
96001-06016-00	E-8
96001-06035-00	E-8
96001-06022-00	E-8
96001-06070-00	E-11
96001-06035-00	E-11
96001-06055-00	E-11
96001-06070-00	E-15
96001-06010-07	F-3A
96001-06016-07	F-8



96001-06010-07	F-10B
96001-06010-07	F-16
96001-06018-00	F-22
96001-06016-00	F-22
96100-63010-00	E-14
96100-62010-00	E-14
96100-62010-00	E-15
96100-62020-00	E-15
96211-08000	F-7
96211-05000	F-9
96211-08000	F-9
98200-31000	F-22
98200-31500	F-22
99101-ABS-000	E-17
99103-AAW-301	E-17
99620-AAW-001	FOP-4
99621-AAW-001	FOP-4
99630-AAW-001	FOP-4
99631-AAW-001	FOP-4
99632-AAW-001	FOP-4
99633-AAW-001	FOP-4
99634-AAW-001	FOP-4

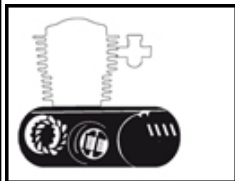
## BLOCK INDEX - GROUP Engine - Dash (Apr, 2020).



E-1  
E-2  
E-3  
E-4  
E-5  
E-6

SHROUD / FAN COVER  
CYLINDER HEAD COVER  
CYLINDER HEAD  
CAMSHAFT/VALVE  
CAM CHAIN/TENSIONER  
CYLINDER

1  
2  
3  
4  
5  
6



E-7  
E-8  
E-9  
E-10  
E-11  
E-12

RIGHT CRANK CASE  
GENERATOR  
OIL PUMP  
STARTING MOTOR  
LEFT CRANK CASE COVER  
DRIVE FACE

7  
8  
9  
10  
11  
12



E-13  
E-14  
E-15  
E-16  
E-17

DRIVEN FACE  
CASE MISSION / TRANSMISSION  
LEFT CRANK CASE  
CRANK SHAFT/PISTON  
CARBURETTOR

13  
14  
15  
16  
17

## BLOCK INDEX - GROUP Frame - Dash (Apr, 2020).



F-1

HEAD LIGHT

18



F-2

METER

19



F-3

HANDLE LEVER/SWITCH/CABLE

20



F-3A

FRONT BRAKE MASTER CYL.

21



F-4

STEERING HANDLE / HANDLE COVER

22



F-5

FRONT FENDER

23



F-6

FR. & INNER COVER

24



F-7

FLOOR PANEL

25



F-8

BODY COVER

26



F-9

STRG. STEM

27



F-9A

FR. FORK

28



F-9B

CALIPER ASSY. 'R' FR.

29



F-10

FRONT WHEEL

30



F-10B

CCB ASSY.

31



F-11

REAR WHEEL

32



F-12

SEAT/LUGGAGE BOX

33



F-13

FUEL TANK

34



F-14

REAR FENDER

35



F-15

AIR CLEANER

36



F-15A

AIR SUCTION VALVE

37



F-16

EXHAUST MUFFLER

38



F-17

ARM KICK START/MAIN STAND/SIDE STAND

39



F-18

REAR CUSHION

40



F-19

FRONT WINKER

41



F-20

REAR COMBINATION LIGHT

42



F-21

BATTERY

43



F-22

WIRE HARNESS








44

## BLOCK INDEX - GROUP Frame - Dash (Apr, 2020).



	F-23	FRAME BODY	45
	F-24	TOOLS	46
	F-25	CAUTION LABEL	47



	F-26	MARK/STRIPE	48
	FOP-1	SARI STEP SET (OPTIONAL)	53
	FOP-2	FR. INNER BOX (OPTIONAL)	54
	FOP-3	FR./RR.NUMBER PLATE (OPTIONAL)	55
	FOP-4	SIDE STAND/COVER ASSY. SEAT (OPTIONAL)	56
	FOP-5	USB CHARGER ASSY. /LIGHT ASSY., BOOT (OPTIONAL)	57
	FOP-6	BEADING ASSY.R./L./FR./RR. (OPTIONAL)	58