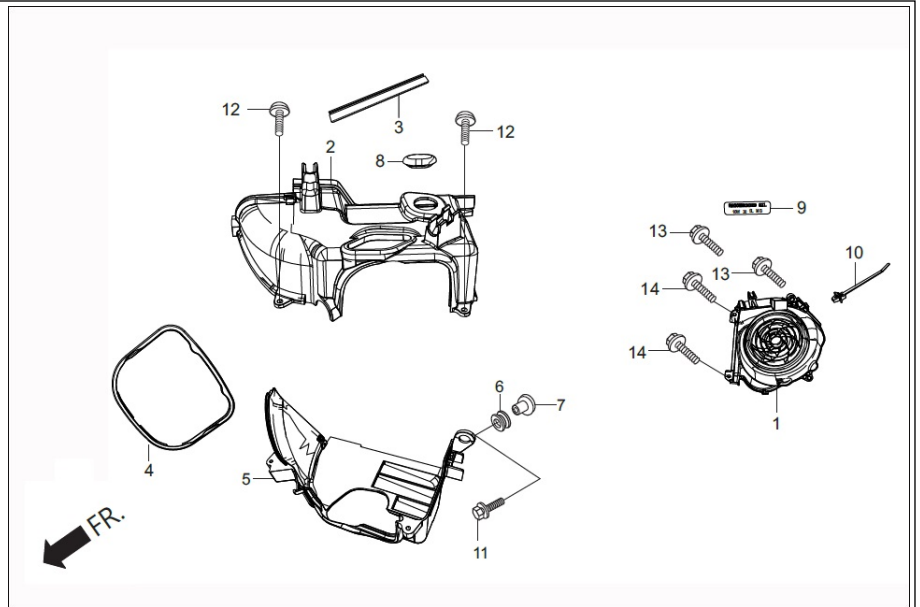


# **PARTS CATALOGUE**

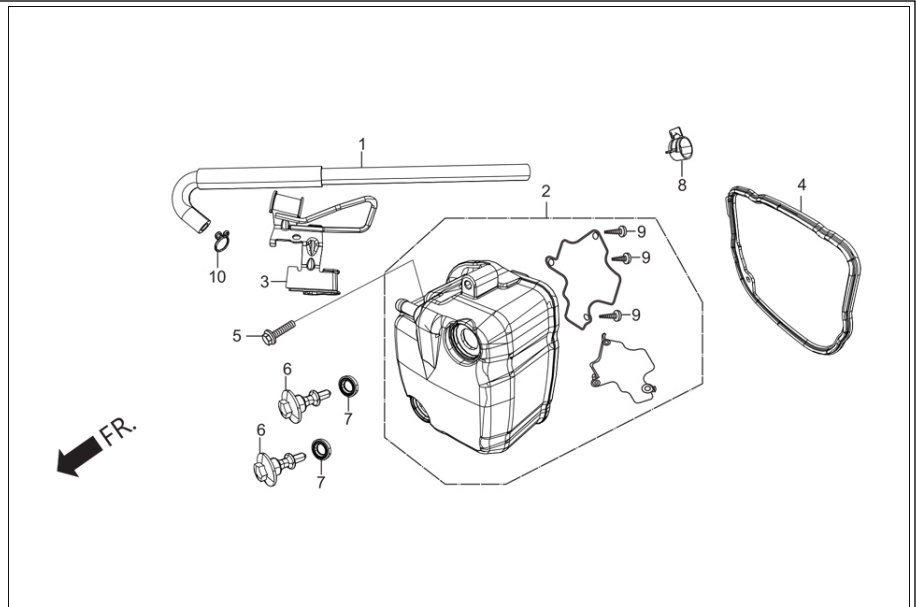
**Dash (July, 2017)**

**E-1**  
SHROUD / FAN COVER



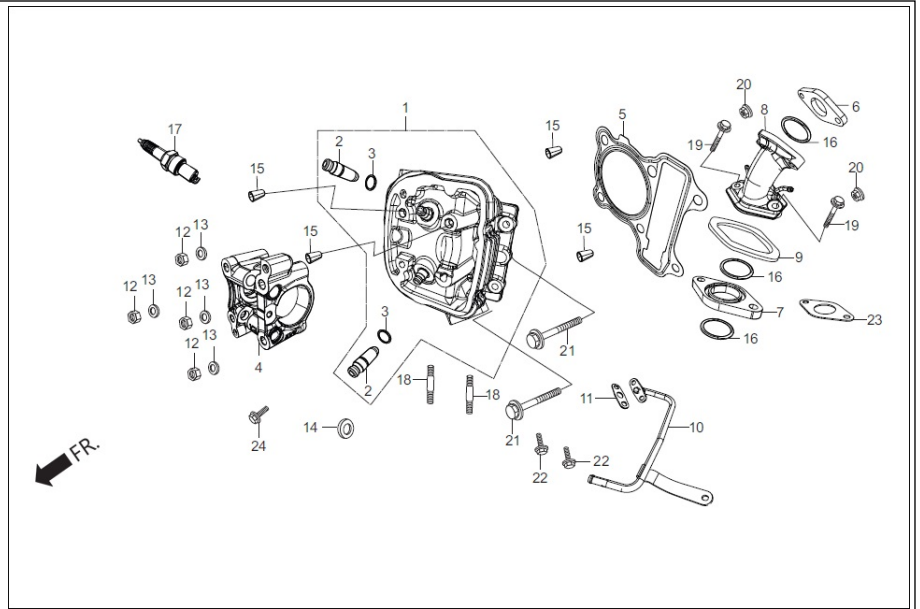
<b>Service Item</b>	<b>F.R.T.</b>	<b>Group Number: E-1 Model :: Dash (July, 2017)</b>			
		<b>Ref No.</b>	<b>Part Number</b>	<b>Description</b>	<b>Req.</b>
* FAN COVER, COMP.	0.2	1	19610-AAW-000	FAN COVER, COMP.,	1
* SHROUD, INLET	0.5	2	19621-AAL-500	SHROUD INLET	1
* SHROUD, EXHAUST	0.9	3	19623-KPL-900	SEAL RUBBER, IN SHROUD	1
		4	19625-AAW-000	SEAL SHROUD	1
		5	19631-AAL-500	SHROUD EXHAUST	1
		6	19639-GBC-000	RUBBER , MOUNT	1
		7	33715-GB0-900	COLLER, T/L SET	1
		8	82871-AAW-000	GROM. DRAIN HOLE	1
			82871-KTP-900	GROMMET., DRAIN HOLE	1
		9	87541-AAW-300	LABEL OIL RECOMMENDATION	1
		10	90672-KPL-901	BODY, CLIP	1
		11	93404-06020-00	BOLT, WASH, 6 X 20	1
		12	93903-25380	SCREW TAPPING 5X16	2
		13	96001-06025-07	BOLT, FLANGE, SH. 6 X 25	2
		14	93904-25380	FLANGE HEX. HEAD TAPPING	2

**E-2**  
CYLINDER HEAD COVER



<b>Service Item</b>	<b>F.R.T.</b>	<b>Group Number: E-2 Model :: Dash (July, 2017)</b>			
<b>* COVER, COMP. HEAD</b>	<b>0.3</b>	<b>Ref No.</b>	<b>Part Number</b>	<b>Description</b>	<b>Req.</b>
<b>* GASKET, HEAD COVER</b>	<b>--</b>	1	11211-AAW-000	TUBE, BREATHER.	1
		2	12310-AAW-000	COVER, COMP., HEAD	1
		3	12315-AAW-000	CLAMPER THROTTLE CABLE	1
		4	12391-AAW-000	GASKET, HEAD COVER	1
		5	95701-06014-00	BOLT, FLANGE, 6 X 14	1
		6	90017-KPL-900	BOLT, HEAD COVER	2
		7	90543-MV9-670	RUBBER, MOUNT	2
		8	90602-KPL-900	CLAMP, D12 TUBE	1
		9	93903-34110	SCREW, TAPPING, 4 X 8.	3
		10	95002-02120	CLIP, TUBE(B12)	1

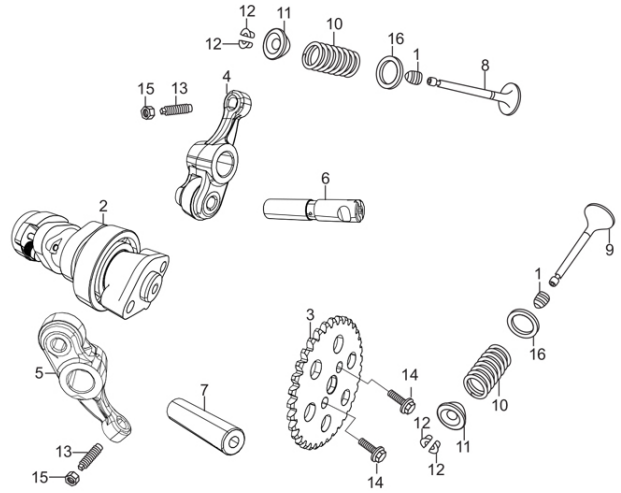
# E-3 CYLINDER HEAD



<b>Service Item</b>	<b>F.R.T.</b>	<b>Group Number: E-3 Model :: Dash (July, 2017)</b>			
* SPARK, PLUG	0.1	<b>Ref No.</b>	<b>Part Number</b>	<b>Description</b>	<b>Req.</b>
* PIPE COMP., AIR FEED	0.3	1	12200-AAL-500	HEAD COMP CYLINDER	1
* INSULATOR, CARBURETTOR	0.4	2	12204-KPL-P00	GUIDE VALVE	2
* PIPE COMP., IN.	--	3	12206-KPL-900	CLIP VALVE GUIDE	2
* GASKET, CYLINDER HEAD	*1.5	4	12211-AAW-000	HOLDER CAM SHAFT	1
* GUIDE, VALVE	*2.1	5	12251-KPL-840	GASKET CYLINDER HEAD	1
(INC. REAMING)	--	6	16211-AAW-300	INSULATOR CARB A	1
(ADD 0.3 FOR EACH)	--	7	16212-AAW-301	INSULATOR CARB B	1
(EXC VALVE REFACING)	--	8	17110-AAW-300	PIPE COMP INLET	1
( ADD MORE 0.2 IF PERFORMED)	--	9	17113-AAW-000	SEAL, RUBBER INLET PIPE	1
* HEAD COMP., CYLINDER	*2.2	10	18640-AAW-300	PIPE, COMP. AIR FEED	1
		11	18645-MT4-730	GASKET, AIR FEED PIPE	1
		12	90201-GCC-000	NUT HEX., 7MM	4
		13	90401-GCC-000	WASHER 7.2X16X2.5	4
		14	90402-AAW-000	WASHER 6MM	1
		15	90701-GF6-000	PIN, DOWEL, 8 X 14	4
		16	91304-GB1-900	O-RING, 25 X 2.4	3
		17	31917-AAC-H00	SPARK PLUG	1
		18	92900-06016-0B	BOLT, STUD, 6X16	2
		19	95701-06025-00	BOLT, FLANGE, 6X 25	2
		20	94050-06000	NUT, FLANGE, 6 MM	2
		21	95701-06100-00	BOLT FLANGE 6X100	2
		22	96001-06016-00	BOLT, FLANGE SH. 6 X 16	2
		23	16229-AAW-300	GASKET CARB INSULATOR	1
		24	95701-06014-00	BOLT, FLANGE, 6 X 14	1

**E-4**  
CAMSHAFT/VALVE

FR. ←

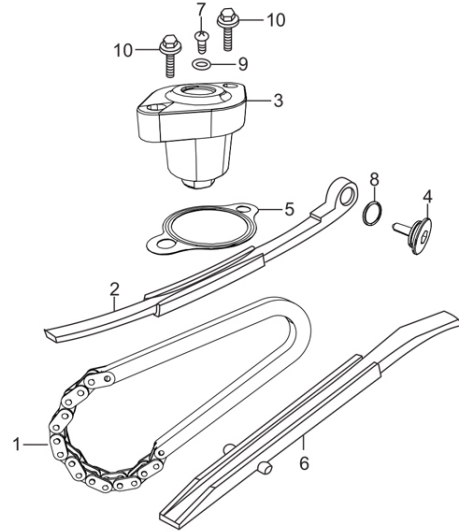




<b>Service Item</b>	<b>F.R.T.</b>	<b>Group Number: E-4 Model :: Dash (July, 2017)</b>			
		<b>Ref No.</b>	<b>Part Number</b>	<b>Description</b>	<b>Req.</b>
* SPROCKET, CAM	0.6	1	12209-AAN-410	SEAL VALVE STEM	2
* ARM, VALVE ROCKER (SAME TIME FOR TWO UNITS)	0.8 --	2	14100-AAL-500	SHAFT COMP CAM	1
* SHAFT COMP., CAM	1.1	3	14321-AAL-000	SPROCKET CAM	1
* SPRING, VALVE (ADD. 0.1 FOR EACH)	*1.7 --	4	14430-AAW-000	ARM COMP. IN VALVE ROCKER	1
(INC. RELATIVE PART)	--	5	14440-AAW-000	ARM COMP EXH VALVE ROCKER	1
* VALVE (ADD 0.2 FOR EACH)	*1.8 --	6	14451-AAW-000	SHAFT IN, ROCKER ARM	1
(INC. REFACING)	--	7	14461-GCC-000	SHAFT EX., ROCKER ARM	1
(EXC. VALVE GUIDE REPLACEMENT)	--	8	14711-GCC-000	VALVE, INLET	1
		9	14721-GCC-000	VALVE, EXHAUST	1
		10	14751-KTP-900	SPRING, VALVE	2
		11	14771-GB4-680	RETAINER, VALVE SPRING	2
		12	14781-MA6-000	COTTER, VALVE	4
		13	90012-333-000R	SCREW, TAPPET ADJUSTING	2
		14	90083-KRM-840	BOLT, KNOCK, 5 MM	2
		15	90206-001-000	NUT, TAPPET ADJUSTING	2
		16	14777-KN7-670	SEAT, VALVE SPRING	2

**E-5**  
CAM CHAIN/TENSIONER

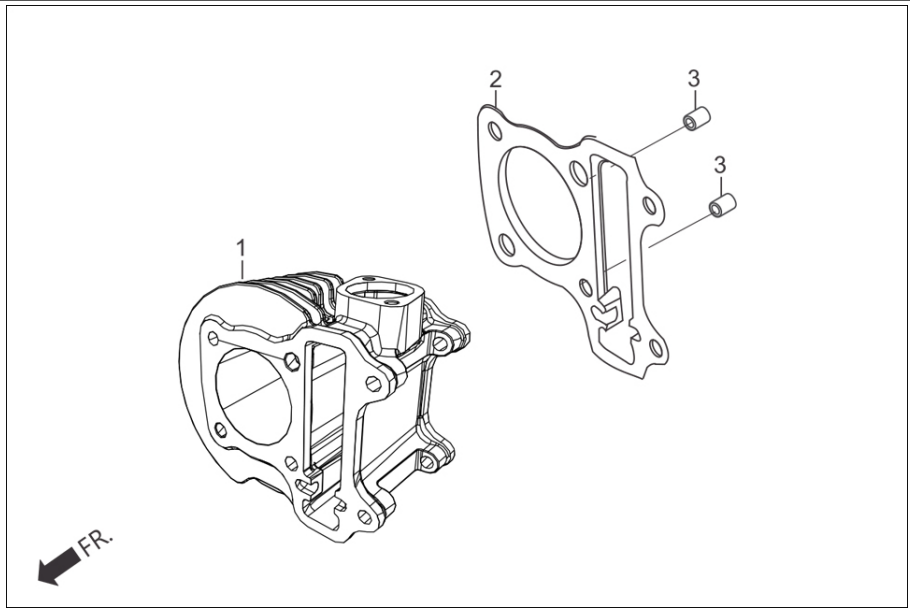
FR. 



<b>Service Item</b>	<b>F.R.T.</b>
*LIFTER ASSY., TENSIONER	0.6
* GUIDE, CAM CHAIN	*1.5
* TENSIONER COMP., CA M CHAIN	*2.2
* CHAIN, CAM	*3.6

<b>Group Number: E-5 Model :: Dash (July, 2017)</b>			
<b>Ref No.</b>	<b>Part Number</b>	<b>Description</b>	<b>Req.</b>
1	14401-AAW-00099	CHAIN CAM	1
2	14510-AAW-000	TENSIONER COMP CAM CHAIN	1
3	14520-KPL-840	LIFTER ASSY., TENSIONER	1
4	14531-GCC-000	PIVOT CAM CHAIN TENSIONER	1
5	14560-KCW-880	GASKET TENSIONER LIFTER	1
6	14611-AAW-000	GUIDE, CAM CHAIN	1
7	90005-KY7-000	SCREW, PAN, 6X6	1
8	91301-HM5-630	O-RING, 15.2 X 1.5	1
9	91306-105-690	O-RING, 1.5 X 9.5	1
10	95701-06022-00	BOLT, FLANGE, SH. 6 X 22	2

**E-6**  
CYLINDER

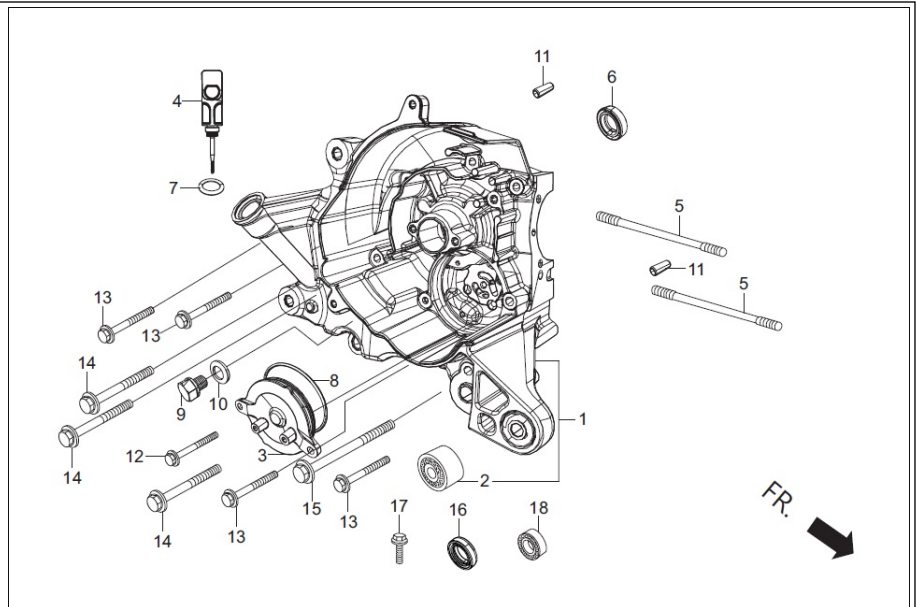


Service Item	F.R.T.
*GASKET, CYLINDER	*1.8
* CYLINDER	*1.9

**Group Number:** E-6 Model :: Dash (July, 2017)

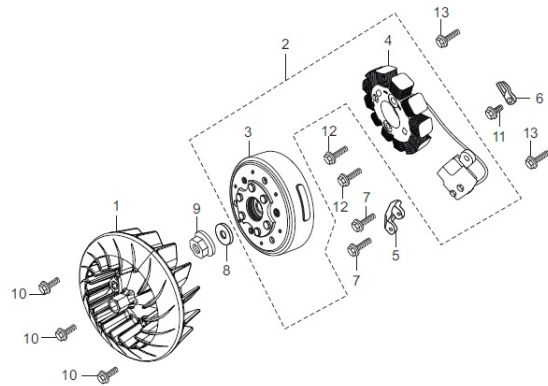
Ref No.	Part Number	Description	Req.
1	12101-AAW-000	CYLINDER	1
2	12191-AAL-00099	GASKET CYLINDER	1
3	90701-GF6-000	PIN, DOWEL, 8 X 14	2

**E-7**  
RIGHT CRANK CASE



<b>Service Item</b>	<b>F.R.T.</b>	<b>Group Number: E-7 Model :: Dash (July, 2017)</b>			
*CRANK CASE COMP., R	*3.7	<b>Ref No.</b>	<b>Part Number</b>	<b>Description</b>	<b>Req.</b>
		1	11100-ABG-200	CRANK CASE COMP. RIGHT	1
		2	11103-AAW-000	RUB. BUSH ENG. HANGER	1
		3	11361-AAW-000	COV. OIL PUMP	1
		4	15651-AAW-000	GAUGE, OIL LEVEL	1
		5	90031-ABG-200	BOLT A STUD 7X191.5	2
		6	91201-KPL-901	OIL SEAL, 16X26X7	1
		7	91307-035-000	O-RING,18 X 3	1
		8	91307-639-000	O-RING, 64X2	1
		9	92800-12000-00	DRAIN PLUG BOLT	1
		10	94109-12000	WASHER, PLUG, DRAIN	1
		11	94301-08200	DOWEL PIN, 8X20	2
		12	95701-06022-00	BOLT, FLANGE, SH. 6 X 22	1
		13	95701-06055-00	BOLT FLANGE 6X55	4
		14	95701-06080-00	BOLT FLANGE 6X80	3
		15	95701-06115-00	BOLT FLANGE 6X115	1
		16	91204-AAW-000	OIL SEAL, 20X32X6	1
		17	96001-06020-00	BOLT, FLANGE, SH. 6 X 20	3
		18	91004-AAW-00099	BEARING, RADIAL BALL, 6204	1

# E-8 GENERATOR

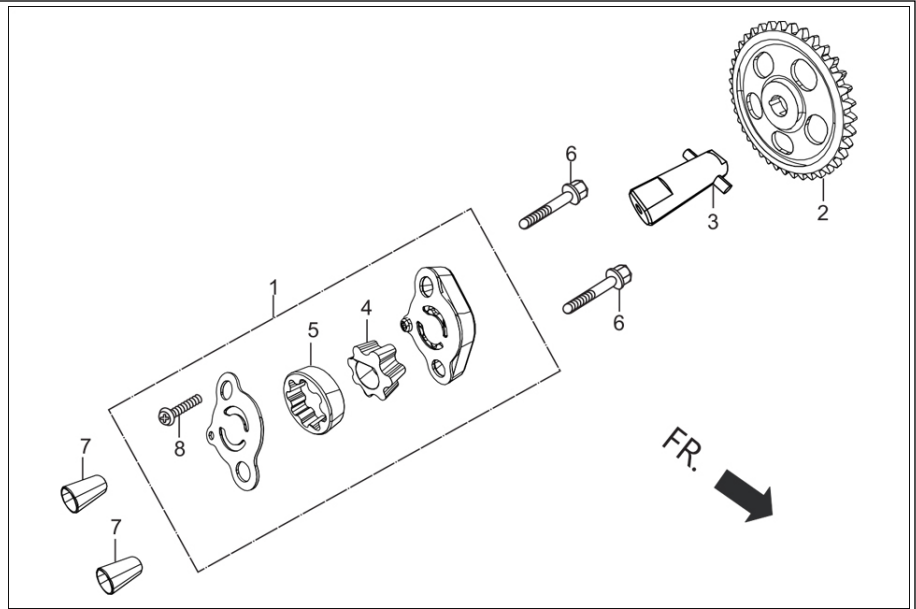


FR. 

Service Item	F.R.T.	Group Number: E-8 Model :: Dash (July, 2017)			
		Ref No.	Part Number	Description	Req.
		1	19510-KTP-900	FAN COMP., COOLING	1
		2	31100-ABG-201	AC GEN ASSY	1
		3	31110-ABG-201	FLYWHEEL COMP.,	1
		4	31120-AAW-301	STATOR COMP	1
		5	32907-KPL-900	CLIP, ACG CORD	1
		6	32976-107-010	CLAMPER, WIRE HARNESS	1
		7	90083-KRM-840	BOLT, KNOCK, 5 MM	2
		8	90410-GCC-000	WASHER, 10 MM	1
		9	94050-10000	NUT, FLANGE, 10MM	1
		10	95701-06016-00	BOLT, FLANGE, 6X16	3
		11	96001-06016-00	BOLT, FLANGE SH. 6 X 16	1
		12	96001-06035-00	BOLT, FLANGE, SH. 6 X 35	2
		13	96001-06025-07	BOLT, FLANGE, SH. 6 X 25	2



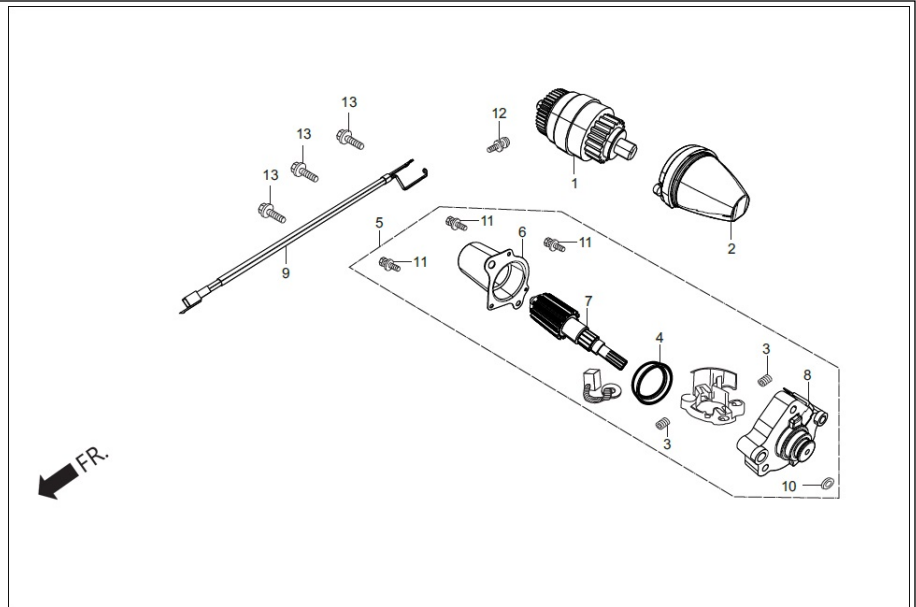
## E-9 OIL PUMP



**Group Number:** E-9 Model :: Dash (July, 2017)

Ref No.	Part Number	Description	Req.
1	15100-AAW-000	OIL PUMP ASSY	1
2	15133-AAW-000	GEAR, OIL PUMP DRIVEN	1
3	15135-AAW-000	SHAFT COMP OIL PUMP	1
4	15331-436-000	ROTOR, OIL PUMP INNER	1
5	15332-436-000	ROTOR, OIL PUMP OUTER	1
6	90001-KPL-900	BOLT, HEX., 6X30	2
7	90701-GF6-000	PIN, DOWEL, 8 X 14	2
8	93901-34120	SCREW, TAPPING, 4X8	1

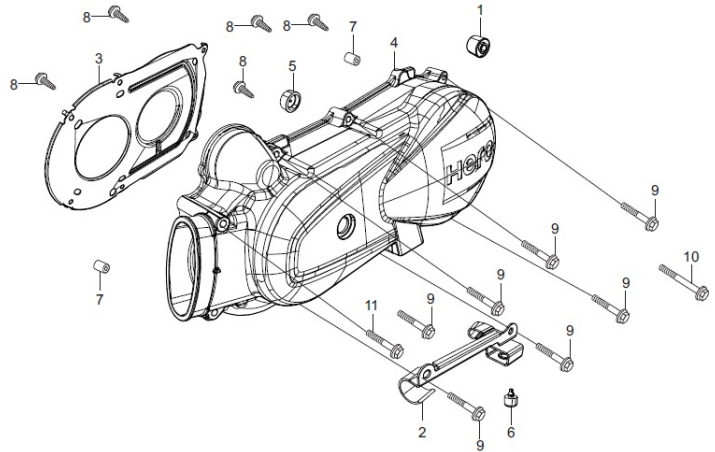
**E-10**  
STARTING MOTOR



<b>Service Item</b>	<b>F.R.T.</b>	<b>Group Number: E-10 Model :: Dash (July, 2017)</b>			
		<b>Ref No.</b>	<b>Part Number</b>	<b>Description</b>	<b>Req.</b>
* HARNESS COMP., ST. MOTOR	0.4	1	28120-KPL-901	PINION ASSY., STARTER	1
* HOLDER COMP., ST. PINION	--	2	28150-AAL-500	HOLDER COMP., STARTER PINION	1
* MOTOR COMP., STARTER	--	3	31204-AAL-001	SPRING BRUSH (M/S-KINETIC)	2
* PINION ASSY., STARTER	0.5		31204-KTP-890	SPRING BRUSH (M/S-LUCAS TVS)	2
* ARMATURE	0.6	4	31206-AAL-001	PACKING (M/S-KINETIC)	1
* BRKT. COMP., FR.	--		31206-KTP-890	PACKING (M/S-LUCAS TVS)	1
		5	31210-AAW-00099	MOTOR UNIT START	1
		6	31211-AAW-302	YOKE ASSEMBLY (M/S-KINETIC)	1
			31211-AAW-001	YOKE ASSEMBLY (M/S-LUCAS TVS)	1
		7	31212-AAL-001	ARMATURE (M/S-KINETIC)	1
			31212-KTP-890	ARMATURE (M/S-LUCAS TVS)	1
		8	31214-AAW-302	MOUNTING BRKT. COMP. (M/S-KINETIC)	1
			31214-AAW-001	MOUNTING BRKT. COMP. (M/S-LUCAS TVS)	1
		9	32105-AAW-302	HARNESS COMP. STARTER MOTOR (M/S-KINETIC)	1
			32105-KTP-891	HARNESS COMP. STARTER MOTOR (M/S-LUCAS TVS)	1
		10	91309-AAL-001	O-RING (M/S-KINETIC)	1
			91309-KTP-890	O-RING (M/S-LUCAS TVS)	1
		11	93412-05012-08	BOLT WASH.5X12	3
		12	93892-04006-08L	SCREW WASH 4X6	1
		13	96001-06035-00	BOLT, FLANGE, SH. 6 X 35	3

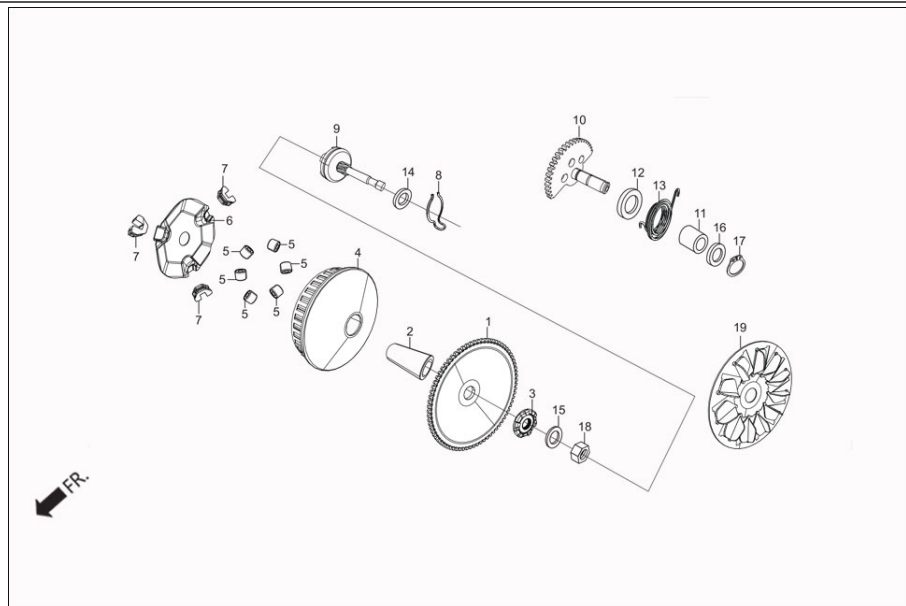
**E-11**  
LEFT CRANK CASE COVER

← FR.



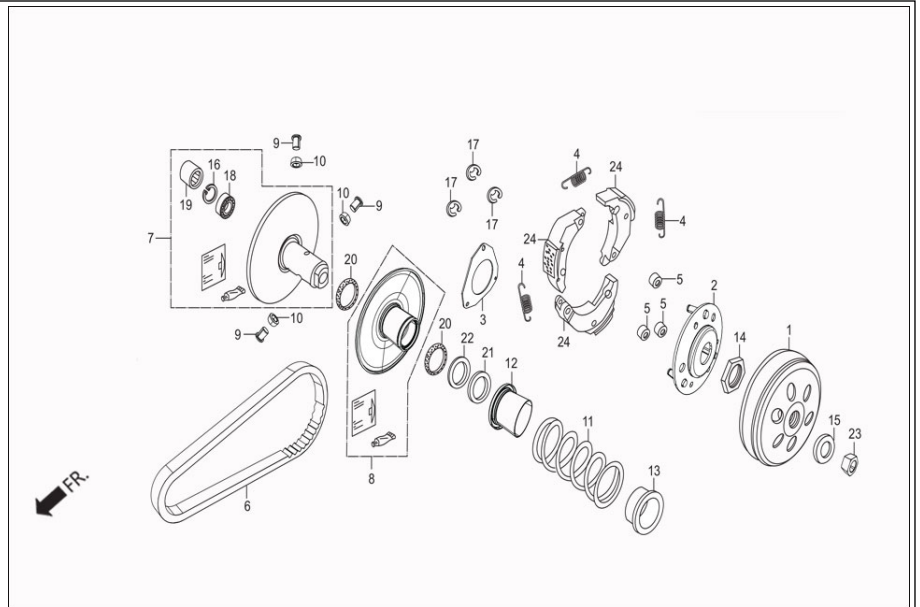
Service Item	F.R.T.	Group Number: E-11 Model :: Dash (July, 2017)		
Ref No.	Part Number	Description	Req.	
1	11103-AAW-000	RUB. BUSH ENG. HANGER	1	
2	11230-KPL-900	CLAMPER, COMP., RR. BRK. CABLE	1	
3	11341-AAL-500	PLATE L. COVER	1	
4	11342-AAL-500	COVER LEFT SIDE	1	
5	11344-GW3-980	RUBBER, STARTER PINION HOLDER	1	
6	50501-KTP-900	STOPPER RUBBER	1	
7	90701-GF6-000	PIN, DOWEL, 8 X 14	2	
8	93903-34110	SCREW, TAPPING, 4 X 8.	5	
9	96001-06035-00	BOLT, FLANGE, SH. 6 X 35	7	
10	96001-06055-00	BOLT FLANGE SH 6X55	1	
11	96001-06070-00	BOLT, FLANGE, SH., 6X70	1	

**E-12**  
DRIVE FACE



<b>Service Item</b>	<b>F.R.T.</b>	<b>Group Number: E-12 Model :: Dash (July, 2017)</b>			
* GEAR COMP., KICK DRIVEN	0.4	<b>Ref No.</b>	<b>Part Number</b>	<b>Description</b>	<b>Req.</b>
* FACE COMP., DRIVE	0.5	1	22102-AAL-500	FACE COMP DRIVE	1
* FACE COMP., MOVABLE DRIVE	--	2	22105-AAW-300	BOSS DRIVE	1
* ROLLER SET, WEIGHT	--	3	22109-AAL-500	RATCHET STARTER	1
(INC. RELATIVE PART)	--	4	22110-AAW-300	FACE COMP MOVABLE DRIVE	1
* SPINDLE COMP., KICK STARTER	--	5	22121-AAW-300	ROLLER COMP. WEIGHT	6
(INC. RELATIVE PART)	--	6	22131-AAW-300	PLATE RAMP	1
* SPRING, KICK RETURN	--	7	22132-AAL-500	PIECE SLIDE	3
		8	28223-GCC-000	SPG., KICK DRIVEN GEAR	1
		9	28230-AAL-500	GEAR COMP KICK DRIVEN	1
		10	28250-AAL-500	SPINDLE COMP KICK STARTER	1
		11	28253-KVT-900	BUSH, KICK SPINDLE	1
		12	28255-KPL-900	COLLAR, KICK BOSS	1
		13	28281-GCC-000	SPRING, KICK RETURN	1
		14	90412-329-000	WASHER, THRUST, 10MM	1
		15	90426-KVB-900	WASHER SPECIAL 14MM	1
		16	90451-KVT-900	WASHER, KICK SPINDLE	1
		17	90608-KVT-901	CIRCLIP, EX., 16	1
		18	94030-14200	NUT HEX 14 MM	1
		19	22113-AAW-300	FIN DRIVE FACE	1

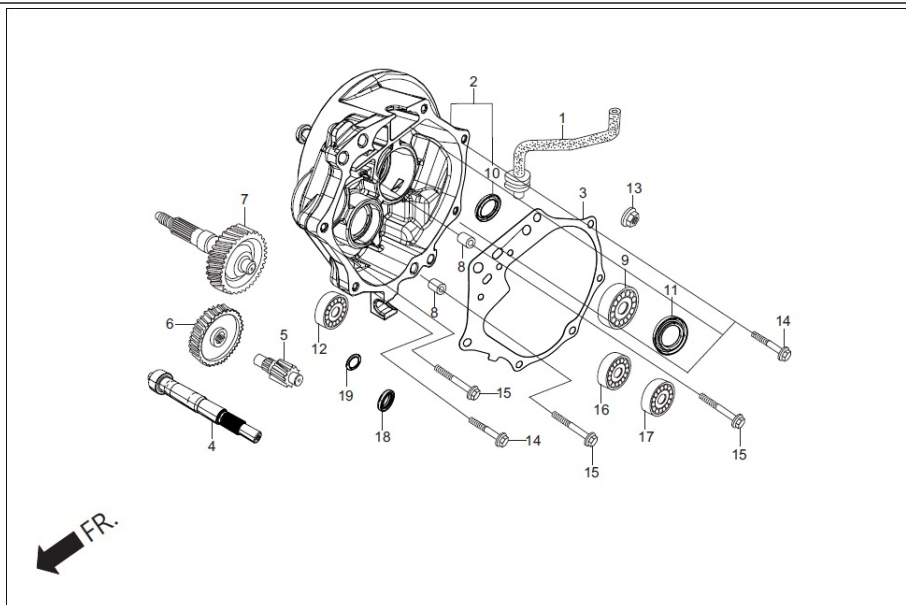
**E-13**  
DRIVEN FACE





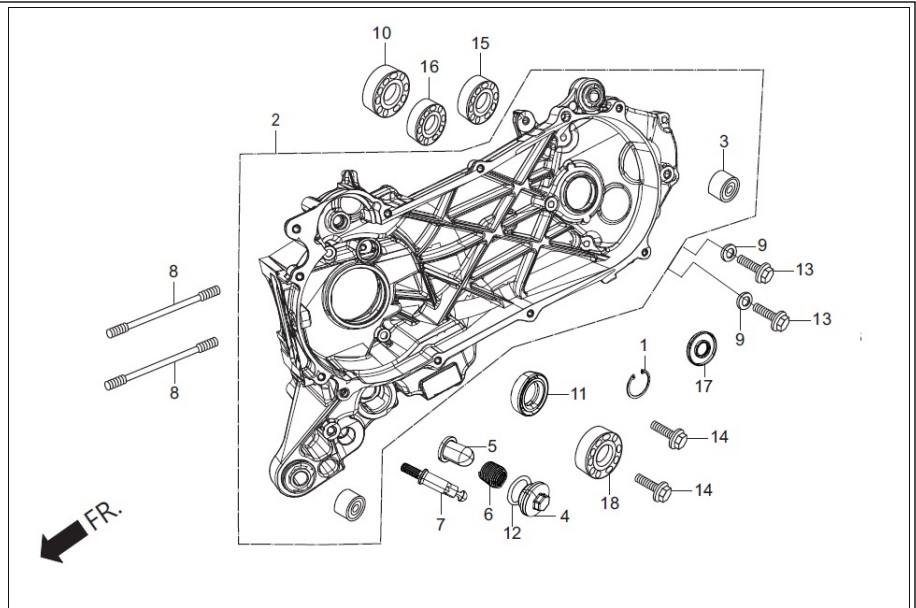
<b>Service Item</b>	<b>F.R.T.</b>	<b>Group Number: E-13 Model :: Dash (July, 2017)</b>			
		<b>Ref No.</b>	<b>Part Number</b>	<b>Description</b>	<b>Req.</b>
*BELT DRIVE	0.5	1	22100-KWP-900	OUTER COMP., CLUTCH	1
* OUTER COMP., CLUTCH	--	2	22350-KWP-900	PLATE COMP., DRIVE	1
* FACE SET, DRIVEN (INC. RELATIVE PART)	--		22350-AAW-300	PLATE COMP.DRIVE	1
* SPRING, DRIVEN FACE	--	3	22361-AAW-300	PLATE CLUTCH SIDE	1
* BEARING, NEEDLE 17X25X18	0.8	4	22401-KGG-910	SPRING CLUTCH 8KGF	3
* BEARING RADIAL BALL, 6901U	--	5	22804-148-000	RUBBER, CLUTCH DAMPER	3
* FACE COMP., MOVABLE DRIVEN	--	6	23100-AAL-500	BELT DRIVE	1
* WEIGHTSET, CLUTCH (INC. RELATIVE PART)	--	7	23205-AAW-300	FACE SET DRIVEN	1
		8	23224-AAW-300	FACE SET MOVABLE DRIVEN	1
		9	23225-AAW-300	PIN ROLLER GUIDE	3
		10	23226-AAW-300	ROLLER GUIDE	3
		11	23233-KWP-900	SPG., DRIVEN FACE	1
		12	23237-AAW-300	COLLAR SEAL	1
		13	23238-KWP-900	COLLAR SPG.	1
		14	90202-KPL-900	NUT SPECIAL 28MM	1
		15	90441-AAW-000	WASHER, 12.2X29X2.3	1
		16	90601-KWP-900	CIRCLIP, INT.28 MM	1
		17	90605-166-720	CIRCLIP 7MM	3
		18	91009-KVY-961	BRG BALL RADIAL 6902U	1
		19	91109-KVY-901	BRG NEEDLE 20X29X18	1
		20	91211-GK8-013	OIL SEAL 34X39X3	2
		21	91351-642-000	O-RING, PINION CAP	1
		22	91351-GR1-000	O-RING-38.5X2	1
		23	94030-12200	NUT HEX. 12 MM	1
		24	22535-AAW-000	WEIGHT SET CLUTCH	3

**E-14**  
CASE MISSION/TRANSMISSION



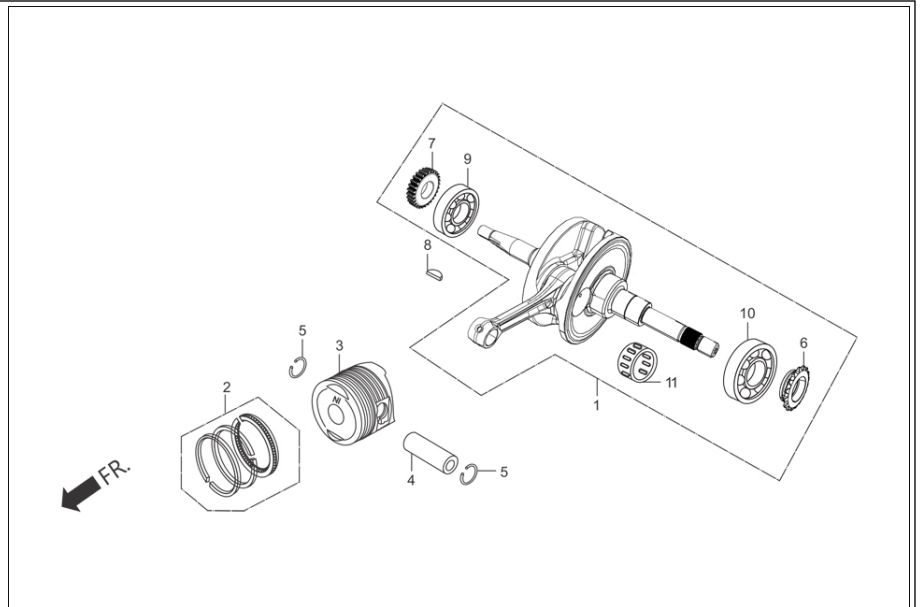
<b>Service Item</b>	<b>F.R.T.</b>	<b>Group Number: E-14 Model :: Dash (July, 2017)</b>			
		<b>Ref No.</b>	<b>Part Number</b>	<b>Description</b>	<b>Req.</b>
* SHAFT COUNTER	1.1	1	11220-GCC-000	TUBE, MISSION, BREATHER	1
* GASKET, MISSION CASE	--	2	2120A-AAW-000	CASE COMP. MISSION SUB ASSY	1
* GEAR COMP., FINAL	--	3	21395-AAW-000	GASKET MISSION CASE	1
* GEAR, COUNTER	--	4	23411-AAW-300	SHAFT DRIVE	1
* BEARING, BALLRADIAL, 6004UU	1.2	5	23421-GCC-000	SHAFT COUNTER	1
(ADD 0.1 FOR EACH )	--	6	23422-GCC-000	GEAR COUNTER	1
* BEARING, RADIAL BALL, 6201	--	7	23430-KPL-901	GEAR COMP. FINAL	1
* BEARING, RADIAL BALL, 6301	--	8	90701-GF6-000	PIN, DOWEL, 8 X 14	2
* OIL SEAL, 27X42X7	--	9	91009-KVY-961	BRG BALL RADIAL 6902U	1
* SHAFT, DRIVE	--	10	91203-KPL-901	OIL SEAL 14X20X3.2	1
*CASE COMP., MISSION	1.3	11	91255-KPL-901	OIL SEAL 27X42X7	1
		12	91009-GW3-980	BEARING, BALL, RADIAL, 6004UU	1
		13	94050-08000	NUT, FLANGE, 8MM	1
		14	95701-06030-00	BOLT, FLANGE, 6X30	4
		15	95701-06040-00	BOLT FLANGE 6X40	3
		16	96100-63010-00	BRG.BALL RADIAL 6301	1
		17	96100-62010-00	BEARING, RADIAL BALL, 6201	1
		18	91204-AAW-000	OIL SEAL, 20X32X6	1
		19	91301-053-000	ORING 7.5X1.5	1

**E-15**  
LEFT CRANK CASE



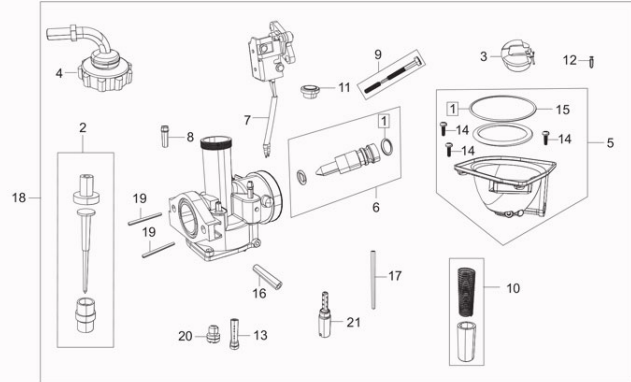
<b>Service Item</b>	<b>F.R.T.</b>	<b>Group Number: E-15 Model :: Dash (July, 2017)</b>			
		<b>Ref No.</b>	<b>Part Number</b>	<b>Description</b>	<b>Req.</b>
* SCREEN, OIL FILTER	0.1	1	94520-52150	CIRCLIP, INT.52	1
* BEARING, RADIALBALLSPL, 6203 (ADD 0.1 FOR EACH )	--	2	11200-ABG-200	CRANK CASE COMP LEFT	1
* BEARING, RADIAL BALL, 6201	--	3	11203-AAW-000	UNDER RUBBER BUSH REAR CUSHION	1
* BEARING, RADIALBALL, 6202	--	4	12361-035-000	CAP, TAPPET ADJUSTING HOLE	1
*CRANKCASE COMP., L	*4.5	5	15421-107-000	SCREEN, OIL FILTER	1
		6	15426-KCW-880	SPRING, OIL FILTER SCREEN	1
		7	90008-KPL-900	BOLT, MAIN STAND SPRING	1
		8	90032-ABG-200	BOLT B STUD 7X196.5.	2
		9	90474-333-000	WASHER, 8MM	2
		10	90912-KPL-900	BEARING BALL RADIAL 6201(U)	1
		11	91201-KPL-901	OIL SEAL, 16X26X7	1
		12	91302-001-020	O-RING, 30.8 MM	1
		13	95701-08012-00	BOLT,FLANGE, 8X12	2
		14	96001-06070-00	BOLT, FLANGE, SH., 6X70	2
		15	96100-62010-00	BEARING, RADIAL BALL, 6201	1
		16	96100-62020-00	BEARING, RADIAL BALL, 6202	1
		17	91202-KTP-900	OIL SEAL, 20.8X52X6	1
		18	91004-AAW-00099	BEARING, RADIAL BALL, 6204	1

**E-16**  
CRANK SHAFT/PISTON



<b>Service Item</b>	<b>F.R.T.</b>	<b>Group Number: E-16 Model :: Dash (July, 2017)</b>			
* PIN, PISTON	*1.9	<b>Ref No.</b>	<b>Part Number</b>	<b>Description</b>	<b>Req.</b>
* PISTON	*2.0	1	13000-AAW-300	CRANK SHAFT COMP	1
* RING SET, PISTON	--	2	13011-KCC-942	RING SET, PISTON (STD)	1
* CRANK SHAFT COMP	3.9		13012-KCC-942	RING SET PISTON O/S (.25)	1
* GEAR, OI PUMP DRIVE	*4.1		13013-KCC-942	RING SET PISTON O/S (.50)	1
* SPROCKET, TIMING	--		13014-KCC-942	RING SET PISTON O/S (.75)	1
* BEARING, BALL , RADIAL 6007	*4.3		13015-KCC-942	RING SET PISTON O/S (1.00)	1
* BEARING, BALL , RADIAL 6205Z	--	3	13101-KPL-901	PISTON	1
			13102-KPL-901	PISTON, (O/S 0.25)	1
			13103-KPL-901	PISTON, (O/S 0.50)	1
			13104-KPL-901	PISTON, (O/S 0.75)	1
			13105-KPL-901	PISTON, (O/S 1.00)	1
		4	13111-087-000	PIN, PISTON	1
		5	13115-001-000	CLIP, PISTON PIN	2
		6	14311-KPL-900	SPROCKET, TIMING	1
		7	15131-KPL-900	GEAR, OIL PUMP DRIVE	1
		8	90741-KPL-900	KEY, WOODRUFF	1
		9	91001-GCC-000	BRG., BALL RADIAL, 6205Z	1
		10	91002-GCC-000	BRG., BALL RADIAL, 6007	1
		11	91101-AAC-H40	BEARING, CONNECTING ROD(RED)	1
			91102-AAC-H40	BEARING, CONNECTING ROD(BLUE)	1
			91103-AAC-H40	BEARING, CONNECTING ROD(WHITE)	1

# E-17 CARBURETTOR

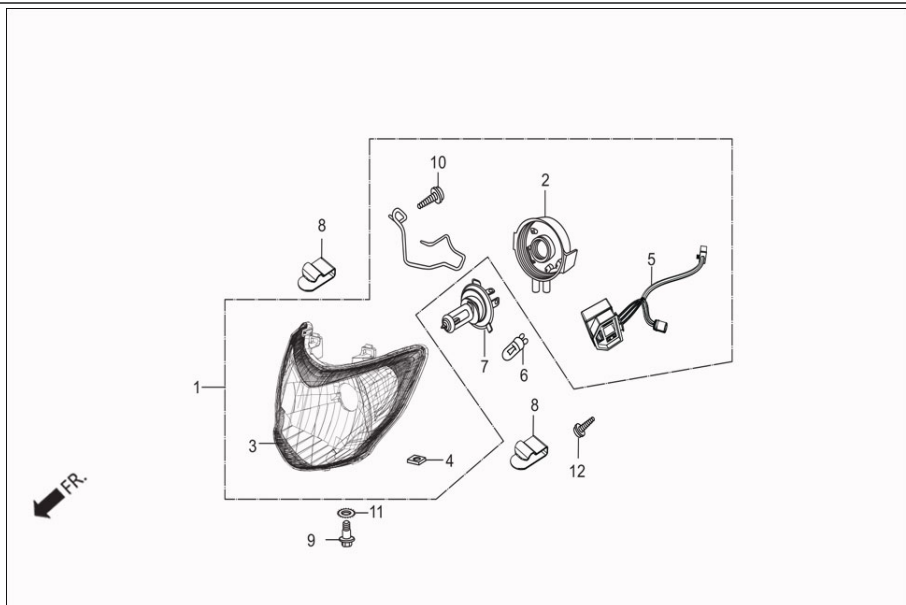


FR.



<b>Service Item</b>	<b>F.R.T.</b>	<b>Group Number: E-17 Model :: Dash (July, 2017)</b>			
* VALVE SET, THROTTLE	0.3	<b>Ref No.</b>	<b>Part Number</b>	<b>Description</b>	<b>Req.</b>
* CHAMBER SET, FLOAT	0.4	1	16010-AAW-301	GASKET SET	1
* FLOAT SET	0.5	2	16012-AAW-701	NEEDLE SET JET	1
* JET, MAIN	--	3	16013-AAW-301	FLOAT SET	1
* VALVE COMP., FLOAT	--	4	16014-AAW-301	TOP CAP SET	1
*CARBURETTOR ASSY.	0.6	5	16015-AAW-301	CHAMBER SET FLOAT	1
* NEEDLE SET, JET	--	6	16016-AAW-301	SCREW SET A	1
		7	16017-AAW-301	SWITCH ASSY.	1
		8	16027-AAW-301	FILTER	1
		9	16028-AAW-301	SCREW SET B	1
		10	16029-AAW-301	VALVE SET PISTON	1
		11	16030-AAW-301	CAP	1
		12	16131-AAW-301	NEEDLE VALVE ASSY	1
		13	16032-AAW-301	JET HOLDER	1
		14	16033-AAW-301	SCREW	3
		15	16034-AAW-301	O-RING	1
		16	16035-AAW-301	HOSE	1
		17	16036-AAW-301	HOSE	1
		18	16100-AAW-701	CARBURETTOR AASY	1
		19	90033-AAW-300	STUD BOLT	2
		20	99101-AAW-301	MAIN JET	1
		21	99103-AAW-301	PILOT JET	1

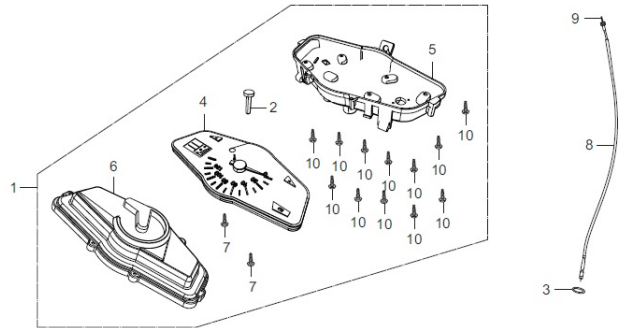
**F-1**  
HEAD LIGHT



<b>Service Item</b>	<b>F.R.T.</b>	<b>Group Number: F-1 Model :: Dash (July, 2017)</b>			
<b>* BULB, HEAD LIGHT</b>	<b>0.2</b>	<b>Ref No.</b>	<b>Part Number</b>	<b>Description</b>	<b>Req.</b>
<b>* UNIT, HEADLIGHT</b>	<b>0.3</b>	1	3310B-AAW-10099	LIGHT ASSY HEAD(W/O BULB)	1
		2	33112-KTN-921	SOCKET COVER	1
		3	33120-AAW-00099	UNIT,HEAD LIGHT	1
		4	33128-GBL-000	NUT, SPECIAL	1
		5	33130-AAW-101	SOCKET COMP POSITION LIGHT	1
		6	34351-AAB-401	BULB (12VW5W) E MARK	1
		7	34901-KSP-910	BULB, HEAD LIGHT	1
			34901-KSP-910	BULB, HEAD LIGHT	1
		8	53209-GAH-000	CLIP, HEADLIGHT	2
		9	90101-GJ6-000	BOLT, ADJUST	1
		10	90101-087-720	SCREW, HEAD LIGHT SET	1
		11	90307-GJ6-000	WASHER, LOCK, 6 MM	1
		12	93901-34310	SCREW TAPPING 4X12	1

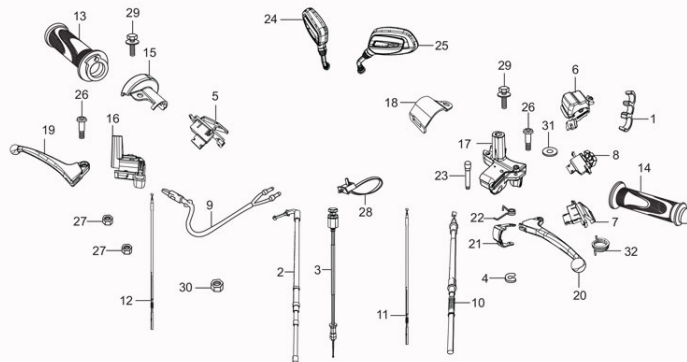
**F-2**  
METER

FR. ←



<b>Service Item</b>	<b>F.R.T.</b>	<b>Group Number: F-2 Model :: Dash (July, 2017)</b>			
		<b>Ref No.</b>	<b>Part Number</b>	<b>Description</b>	<b>Req.</b>
* CABLE, INNER	0.1	1	37200-AAW-101	SPEEDOMETER ASSY	1
*BULB (SAME TIME FOR TWO UNITS OR MORE)	--	2	37202-AAW-001	KEY TOP	1
* LENS	0.3	3	91352-GAZ-930	O-RING 8.5X11.5	1
* SPEEDOMETER ASSY.,	--	4	37210-AAW-101	SPEEDOMETER COMP	1
*COVER COMP., R CRANK CASE	0.4	5	37212-AAW-001	CASE UNDER ASSY.	1
* METER COMP., SPEED & FUEL	--	6	37213-AAW-001	GLASS ASSY.	1
* SOCKET COMP.,	--	7	90035-GW3-980	SCREW, WASH , SPL.4X10	2
*CABLE COMP., SPEEDOMETER	0.6	8	44830-KTP-900	CABLE COMP., SPDMT	1
		9	44831-KTP-900	CABLE INNER	1
		10	93903-22480	SCREW TAPPING 3 X 16	12

**F-3**  
HANDLE LEVER/SWITCH/CABLE



FR.

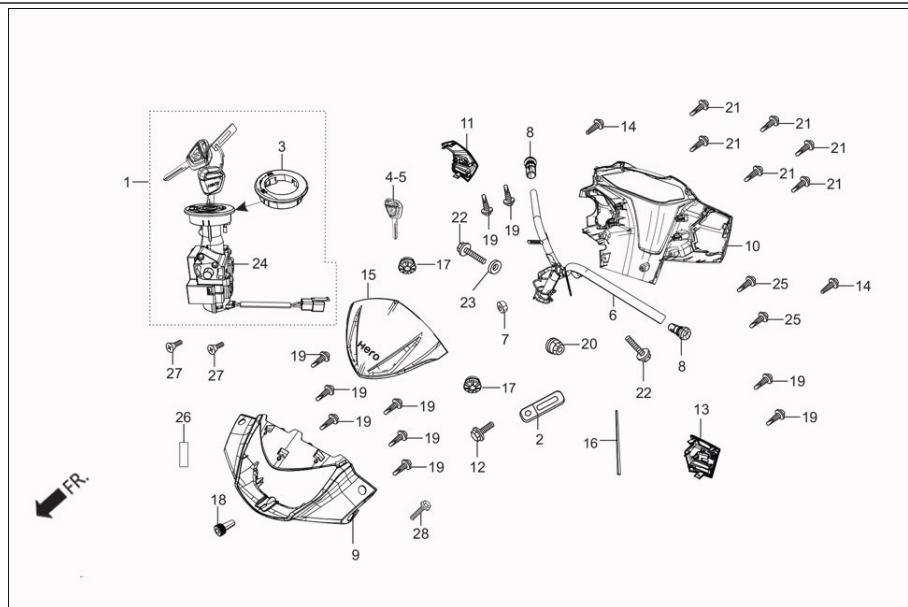
<b>Service Item</b>	<b>F.R.T.</b>	<b>Group Number: F-3 Model :: Dash (July, 2017)</b>			
		<b>Ref No.</b>	<b>Part Number</b>	<b>Description</b>	<b>Req.</b>
* GRIP, L. HANDLE	0.1	1	16213-AAW-000	CABLE RETAINER	1
* GRIP, R .HANDLE	0.2	2	17910-AAW-00099	CABLE COMP., THROTTLE	1
* LEVER COMP., PARKING	--	3	17950-AAW-300	CABLE COMP. CHOKE	1
* LEVER, L. HANDLE	--	4	30158-GW3-980	RING E TYPE 3MM	1
(ADD 0.1 FOR EACH.)	--	5	35160-AAW-001	SW UNIT START	1
* LEVER, R. STEERING HANDLE	--	6	35170-AAW-001	SW UNIT DIMMER	1
* GRIP COMP., THROTTLE	0.3	7	35180-AAW-001	SW UNIT HORN	1
*SWITCH ASSY. FR. STOP	--	8	35200-AAW-001	SW UNIT WINKER	1
(ADD 0.1 FOR EACH)	--	9	35340-KTP-890	SWITCH ASSY., FR. STOP	1
* SWITCH UNIT, DIMMER	--	10	43450-AAW-000	CABLE COMP, RR BRAKE	1
* SWITCH UNIT, HORN	--	11	45440-AAW-000	CABLE COMP LH FR BRAKE	1
* SWITCH UNIT, LIGHTING	--	12	45450-AAW-000	CABLE COMP FR BRAKE	1
* SWITCH UNIT, WINKER	--	13	53140-AAW-000	GRIP COMP., THROT.	1
* BRACKET., HANDLE	0.4	14	53166-AAW-000	GRIP L HANDLE	1
* HOUSING, UPPER THROTTLE	--	15	53167-AAW-300	HOUSING, UPP., THROT.	1
* CABLE COMP., FR. BRAKE	0.6	16	53168-AAW-000	HOUSING UND.THROTTLE	1
* CABLE COMP., CHOKE	0.7	17	53172-AAL-100	BRKT HANDLE	1
*CABLE COMP., RR. BRAKE	--	18	53173-KPL-900	BAND, HANDLE BRKT	1
* CABLE SET, THROTTLE	0.8	19	53175-AAW-000	LEVER R STRG.HANDLE	1
		20	53178-AAL-100	LEVER L HANDLE	1
		21	53181-AAL-100	LEVER COMP PARKING	1
		22	53182-AAL-100	SPRING RETURN LEVER	1
		23	53183-GW3-980	PIN, PIVOT, PARKING LEVER	1
		24	88110-AAW-000	MIRROR ASSY R BACK	1
		25	88120-AAW-000	MIRROR ASSY L BACK	1
		26	90115-KPL-900	SCREW, HNDL LEVER PIVOT	2
		27	90304-KPL-900	NUT HEX 5 MM	2
		28	90657-AAW-300	CABLE TIE (LONG)	1

29	93401-06020-00	BOLT, WASHER, 6 X 20	2
30	94002-10070-0S	NUT, HEX., 10MM	1
31	94103-05800	WASHER,PLAIN, 5.5MM	1
32	94203-AAW-000	SPRING HANDLE LEVER	1



# F-4

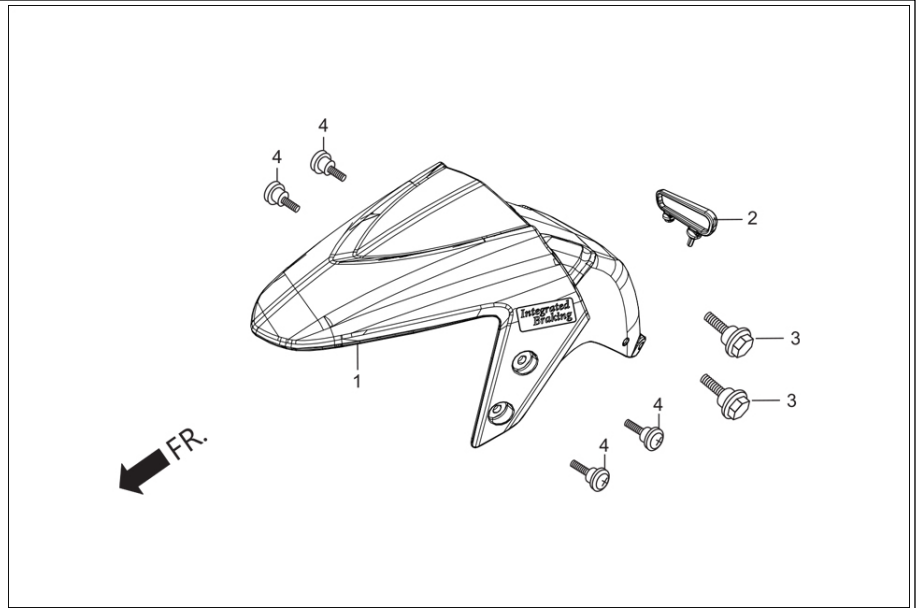
## STEERING HANDLE/HANDLE COVER



Service Item	F.R.T.
* SET, HANDLE FR. COVER	0.3
* COVER, HANDLE RR	0.5
* HANDLE COMP., STRG.	0.9

Group Number: F-4 Model :: Dash (July, 2017)			
Ref No.	Part Number	Description	Req.
1	35010-AAW-301	KEY SET	1
2	80107-AAY-000	CLIP 0.5X50	1
3	35103-AAW-001	DUMMY CAP	1
4	35121-AAW-001	KEY BLANK NO. 1	1
5	35121-AAW-011	KEY BLANK NO. 1	1
6	53100-AAW-300	HANDLE COMP STRG	1
7	53124-ABS-000	COLLAR, HANDLE SET	1
8	53155-AAW-000	END STRG HANDLE	2
9	53205-AAW-000R	COV. HANDLE FR(PSWM(WH004P)	1
10	53206-AAW-000	COV. HANDLE RR	1
11	53218-AAW-700	COVER HANDLE R RR.	1
12	95801-10055-00	BOLT, FLANGE, 10X55	1
13	53228-AAW-010	COV. HNDL L RR	1
14	93903-25180	SCREW, TAPPING, 5 X 10	2
15	61140-AAW-000	SET SPEEDOMETER VISOR	1
16	83403-AAW-000	CUSHION SEAL FR. VISOR	1
17	83407-AAW-000	CUSHION, FR VISOR	2
18	90116-KTP-900	SCREW WASH 5X16	1
19	93901-32220	SCREW TAPPING 3X10	10
20	90304-KCS-920	NUT U 10 MM	1
21	93903-34480	SCREW, TAPPING, 4X 16	6
22	93401-06020-00	BOLT, WASHER, 6 X 20	2
23	94102-12000	WASHER, PLAIN, 12MM	1
24	35100-AAW-301	SW. ASSY. COMB. & LOCK	1
25	93903-34410	SCREW, TAPPING, 4 X 16.	2
26	52482-175-620	NUT LOCK	1
27	90164-KPL-900	SCREW, FLAT, U LOCK, 6X12	2
28	90113-AAY-000	BOLT FLANGE, 5 X 17	1

## F-5 FRONT FENDER

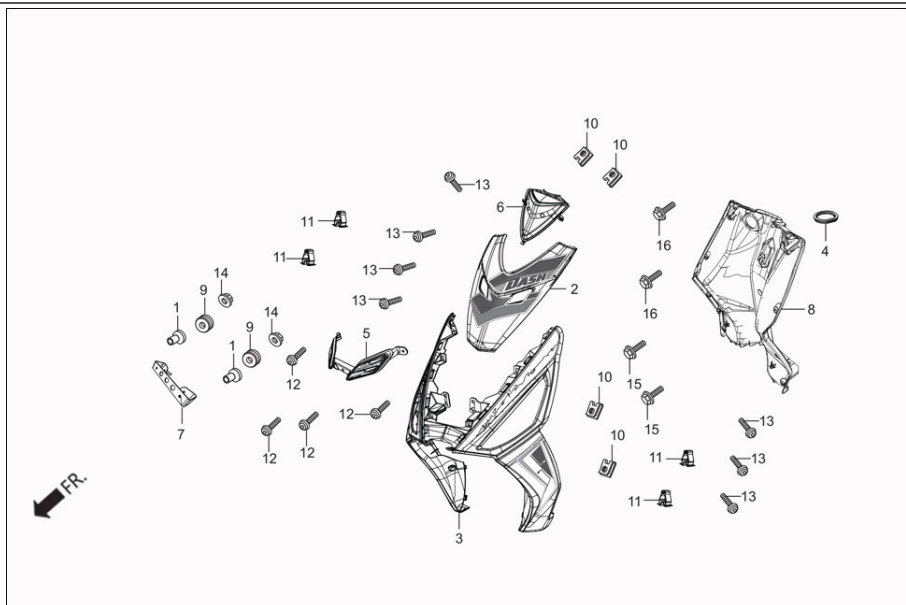


Service Item	F.R.T.
* FENDER A, FR.	0.3
* FENDER B, FR.	--

**Group Number: F-5 Model :: Dash (July, 2017)**

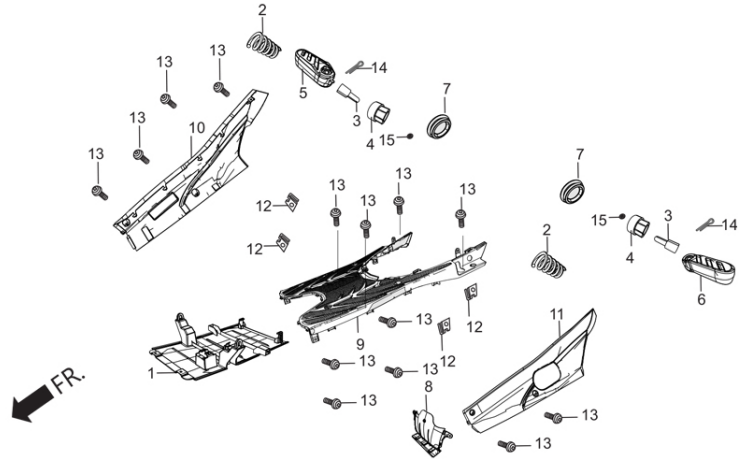
Ref No.	Part Number	Description	Req.
1	61000-AAW-400V	SET, FR FENDER (SRD,R-321)	1
	61000-AAW-400U	SET FR FENDER (MGM, NH-303M(T3)	1
	61000-AAW-400R	SET, FR FENDER (MGM,NH-303M(T1)	1
2	45451-AAW-000	GUIDE FR.FENDER CABLE	1
3	90111-187-000	BOLT, FLANGE. 6 MM	2
4	90381-KWA-940	SCREW SPECIAL 6×13	4

**F-6**  
FR. & INNER COVER



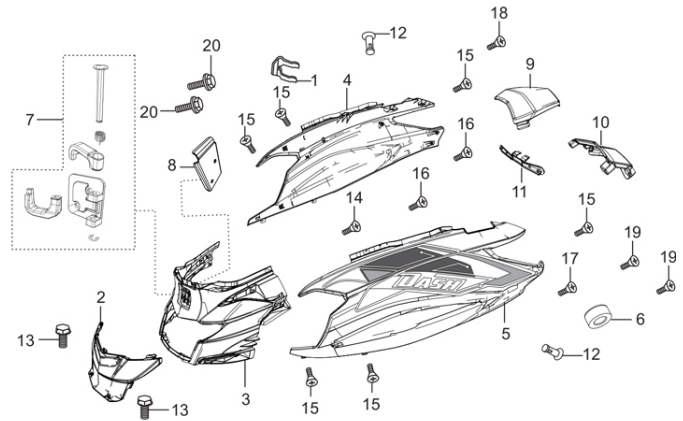
<b>Service Item</b>	<b>F.R.T.</b>	<b>Group Number: F-6 Model :: Dash (July, 2017)</b>			
		<b>Ref No.</b>	<b>Part Number</b>	<b>Description</b>	<b>Req.</b>
* COVER, FR. UPPER	0.2	1	61104-428-000	COLLAR, FR, FENDER	2
* COVER, RR. LOWER	0.4	2	64300-AAW-400R	SET, COV FR CTR A(MGM,NH-303M(T1)	1
* COVER, INNER	0.8		64300-AAW-400T	SET, COV FR CTR A(MGM,NH-303M(T3)	1
* RACK, INNER	0.2		64300-AAW-400V	SET, COV FR CTR A(SRD,R-321)	1
			64300-AAW-400W	SET, COV FR CTR A(TBM,BL-002M)	1
		3	64360-AAW-400R	SET, FR. COVER CENTER (MAT AXIS GRAY ME. TYPE-1)	1
			64360-AAW-400T	SET, FR. COVER CENTER (MAT AXIS GRAY ME. TYPE-3)	1
			64360-AAW-400V	SET, FR. COVER CENTER (SPORTS RED)	1
			64360-AAW-400W	SET, FR. COVER CENTER (TECHNO BLUE ME.)	1
		4	81132-AAW-000	COVER COMB. & LOCK	1
		5	64303-AAW-000	FRONT GRILL	1
		6	64308-AAW-000	COV. FR CENTER (B)	1
		7	64311-AAW-000	STAY FR NO PLATE	1
		8	81131-AAW-300	COVER INNER	1
		9	84703-425-000	RUBBER TAIL LIGHT (MOUNT)	2
		10	90344-AAW-000	NUT CLIP 5MM	4
		11	90666-AAB-000	CLIP SNAP FIT	4
		12	93903-25380	SCREW TAPPING 5X16	4
		13	93903-34410	SCREW, TAPPING, 4 X 16.	7
		14	94050-06000	NUT, FLANGE, 6 MM	2
		15	95701-06025-00	BOLT, FLANGE, 6X 25	2
		16	90111-KPL-900	BOLT, INNER COVER	2

**F-7**  
FLOOR PANEL



<b>Service Item</b>	<b>F.R.T.</b>	<b>Group Number: F-7 Model :: Dash (July, 2017)</b>			
		<b>Ref No.</b>	<b>Part Number</b>	<b>Description</b>	<b>Req.</b>
* BAR, L. P. STEP (INC. RELATIVE PART)	0.1 --	1	50621-AAW-000	COV. UNDER	1
* BAR, R. P. STEP (INC. RELATIVE PART)	-- --	2	50633-AAW-000	PILLION STEP SPRING	2
* COVER, L. FLOOR SIDE (SAME TIME FOR TWO UNITS)	0.2 --	3	50638-AAW-000	PIN STEP BAR PILLION	2
* COVER, R FLOOR SIDE	--	4	50646-AAW-000	PILLION STEP BUSH	1
* COVER, UNDER	0.3	5	50710-AAW-000	PILLION R STEP	1
* PANEL, FLOOR	0.4	6	50715-AAW-000	PILLION L STEP	1
		7	64150-AAW-000	PANEL FLOOR RUBBER CAP	2
		8	64309-AAW-000	FRONT COV. LOWER	1
		9	64310-AAW-000	PANEL FLOOR	1
		10	64320-AAW-400R	COV, R. FLOOR SIDE(MGM,NH-303M(T1)	1
			64320-AAW-400V	COVER, R. FLOOR SIDE (SRD,R-321)	1
			64320-AAW-000W	COV. R FLOOR SIDE(TBM(BL002M)	1
		11	64330-AAW-400R	COV, L. FLOOR SIDE(MGM,NH-303M(T1)	1
			64330-AAW-400V	COVER, L. FLOOR SIDE(SRD,R-321)	1
			64330-AAW-000W	COV. L FLOOR SIDE(TBM(BL002M)	1
		12	90344-AAW-000	NUT CLIP 5MM	4
		13	93903-25380	SCREW TAPPING 5X16	14
		14	94201-25250	PIN, SPLIT, 2.5X25	2
		15	96211-08000	BALL STEEL 8 MM	2

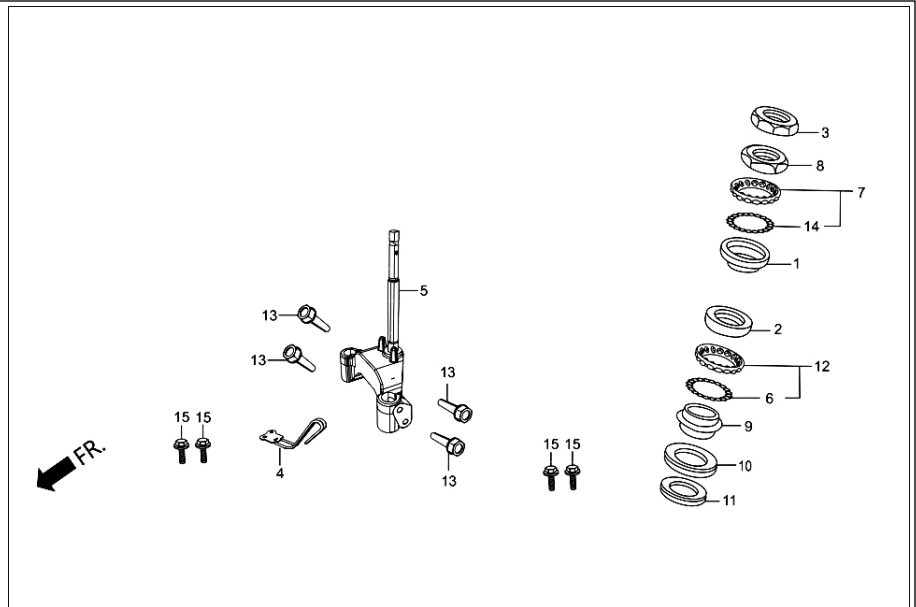
**F-8**  
BODY COVER





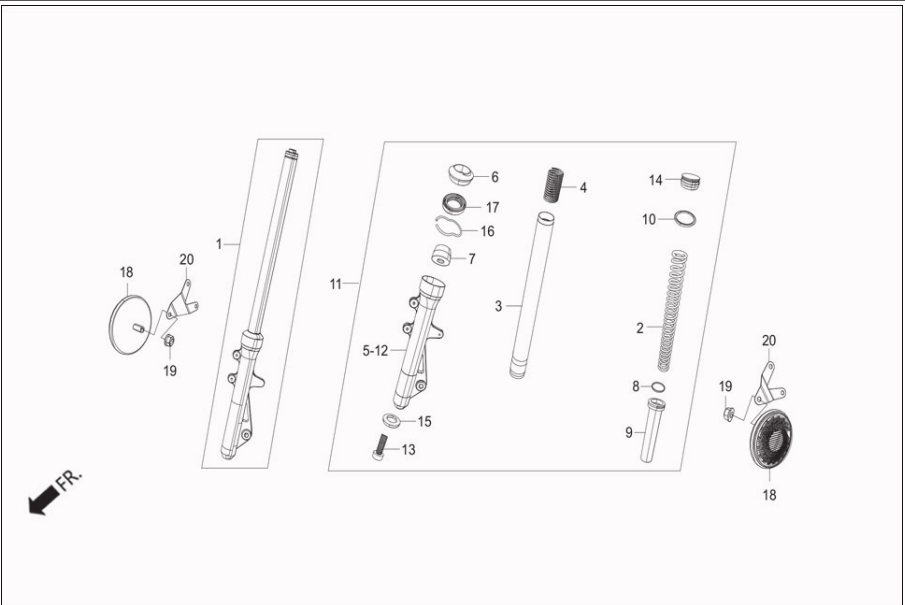
<b>Service Item</b>	<b>F.R.T.</b>	<b>Group Number: F-8 Model :: Dash (July, 2017)</b>			
		<b>Ref No.</b>	<b>Part Number</b>	<b>Description</b>	<b>Req.</b>
* COVER, CENTER	0.4	1	75581-673-000	SET SPRING, LOCK KEY	1
* COVER, RR., CENTER LOWER	0.5	2	80151-AAW-000	COV. CENTER	1
* SET, L. BODY COVER (ADD 0.1 FOR EACH.)	--	3	80152-AAW-000	COV. CENTER B	1
* SET, R. BODY COVER	--	4	83300-AAW-400R	SET R. BODY COVER(MGM,NH-303M(T1)	1
* COVER, RR. CENTER	--		83300-AAW-400T	SET R. BODY COVER(MGM,NH-303M(T3)	1
			83300-AAW-400V	SET R. BODY COVER(SRD,R-321)	1
			83300-AAW-400W	SET R. BODY COVER(TBM,BL-002M)	1
		5	83400-AAW-400R	SET L. BODY COVER(MGM,NH-303M(T1)	1
			83400-AAW-400T	SET L. BODY COVER(MGM,NH-303M(T3)	1
			83400-AAW-400V	SET L. BODY COVER(SRD,R-321)	1
			83400-AAW-400W	SET L. BODY COVER(TBM,BL-002M)	1
		6	83561-AAW-000	GROMMET BODY COVER	1
		7	83139-AAW-000	LOAD HOOK ASSY	1
		8	90301-AAW-000	LOAD HOOK PLATE	1
		9	83700-AAW-400	SET COVER, RR. CENTER (,)	1
		10	83702-AAW-400	COVER, RR. CENTER LOWER	1
		11	83560-AAW-000	HINGE BODY COVER	1
		12	90111-KPL-900	BOLT, INNER COVER	2
		13	90111-187-000	BOLT, FLANGE. 6 MM	2
		14	93903-34110	SCREW, TAPPING, 4 X 8.	1
		15	93903-34410	SCREW, TAPPING, 4 X 16.	6
		16	93903-35380	SCREW TAPPING 5X16	2
		17	91509-AAW-000	SCREW, PAN 5X17.5	1
		18	93901-22010	SCREW TAPPING 3X6	1
		19	93500-06018-07	SCREW PAN 6X18	2
		20	96001-06016-07	BOLT, FLANGE, SH. 6 X 16	2

**F-9**  
STRG. STEM



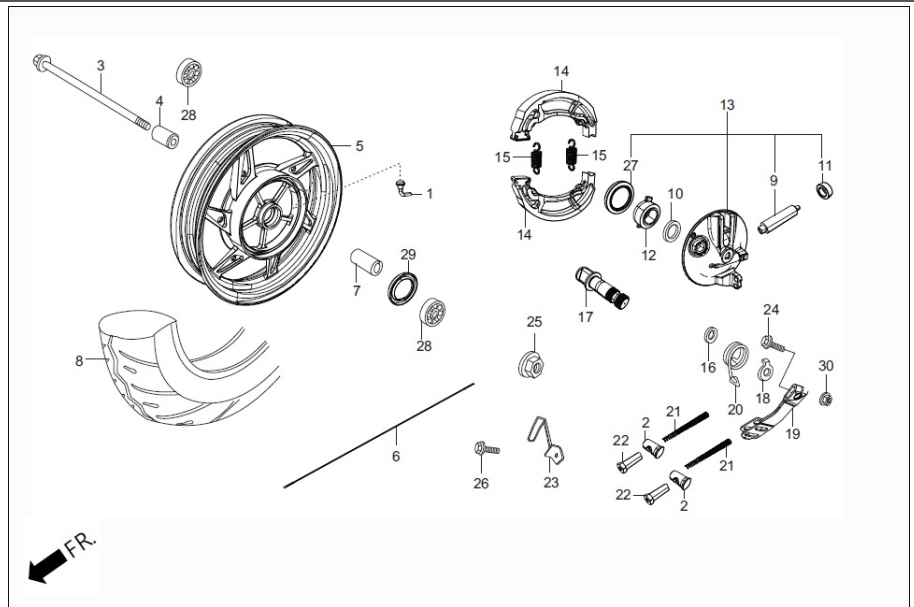
<b>Service Item</b>	<b>F.R.T.</b>	<b>Group Number: F-9 Model :: Dash (July, 2017)</b>			
* CUSHION ASSY., L FR. (ADD 0.1 FOR EACH.)	--	<b>Ref No.</b>	<b>Part Number</b>	<b>Description</b>	<b>Req.</b>
* CUSHION ASSY., R FR.	--	1	50301-KEM-900	RACE, UP STRG., BALL	1
* RACE, STEERING TOP CONE	0.9	2	50302-KPL-900	RACE, STRG., BOTTOM BALL	1
* RACE, UP. STRG BALL (SAME TIME FOR TWO UNITS)	1.3	3	50306-KPL-900	NUT, STRG. STEM, LOCK	1
* RACE, STRG. BOTTOM CONE	1.5	4	51501-AAW-000	BRKT CABLE GUIDE	1
* FORK SUB ASSY., FR.	1.7	5	53200-AAW-310	STEM. COMP., STRG	1
		6	96211-08000	BALL STEEL 8 MM	17
		7	53210-KTP-900	BALL, ASSY, STRG.	1
		8	53211-KEM-900	RACE, STRG. TOP CONE	1
		9	53212-250-010	RACE, STRG. BOTTOM CONE	1
		10	53214-250-000	DUST, SEAL STRG. (HEAD)	1
		11	53215-KPL-900	WASHER, STRG. HEAD DUST SEAL	1
		12	53215-KTP-900	BALL ASSY, STRG.	1
		13	90001-AAW-000	BOLT FLANGE BRIDGE FORK MTG.	4
		14	96211-05000	BALL, STEEL #5	2
		15	95701-06012-00	BOLT, FLANGE, 6X12	4

**F-9A**  
FR. FORK



<b>Service Item</b>	<b>F.R.T.</b>	<b>Group Number: F-9A Model :: Dash (July, 2017)</b>			
* CUSHION ASSY., L FR. (ADD 0.1 FOR EACH.)	--	<b>Ref No.</b>	<b>Part Number</b>	<b>Description</b>	<b>Req.</b>
* CUSHION ASSY., R FR.	--	1	51400-AAW-300	FORK ASSY R FRONT	1
* RACE, STEERING TOP CONE	0.9	2	51401-AAW-300	SPRING FR FORK	2
* RACE, UP. STRG BALL (SAME TIME FOR TWO UNITS)	1.3	3	51410-AAW-300	PIPE COMP FR FORK	2
* RACE, STRG. BOTTOM CONE	1.5	4	51412-KSP-901	SPRING, REBOUND	2
* FORK SUB ASSY., FR.	1.7	5	51420-AAW-300	CASE COMP R FR BOTTOM	1
		6	51425-KST-901	SEAL, DUST	2
		7	51432-KFN-851	PIECE, OIL LOCK	2
		8	51437-KVN-901	RING, PISTON	2
		9	51440-AAW-001	PIPE SEAT	2
		10	91356-AAW-300	O-RING 19.4X2.8	2
		11	51500-AAW-300	FORK ASSY L FRONT	1
		12	51520-AAW-300	CASE COMP L FR BOTTOM	1
		13	90116-AAW-001	BOLT SOCKET 8 MM	2
		14	90123-AAW-300	BOLT FR FORK	2
		15	90544-439-930	WASHER, SPECIAL, 8 MM	2
		16	90601-GF5-731	RING OIL SEAL STOP	2
		17	91255-169-000R	OIL SEAL, 30 X 42 X 11	2
		18	33741-AAN-601	REFLEX REFLECTOR FRONT	2
		19	90302-KTE-911	NUT FLANGE PT 6MM	2
		20	51414-AAW-000	STAY REFLECTOR	2

**F-10**  
FRONT WHEEL

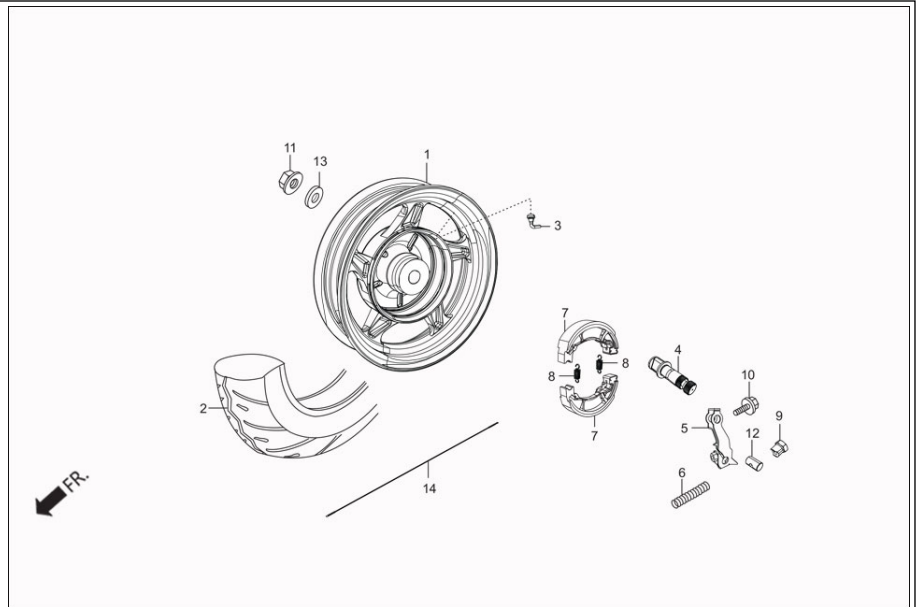


<b>Service Item</b>	<b>F.R.T.</b>	<b>Group Number: F-10 Model :: Dash (July, 2017)</b>			
		<b>Ref No.</b>	<b>Part Number</b>	<b>Description</b>	<b>Req.</b>
* ARM, FR. BRAKE (INC. RELATIVE PART)	0.1 --	1	42753-AAL-001	RIM,VALVE	1
* AXLE, FRONT WHEEL	0.2	2	43455-AAL-100	JOINT BRAKE ARM	2
* GEAR, SPDMT	--	3	44301-AAW-000	AXLE FR. WHEEL	1
* SHOE COMP, BRAKE	--	4	44311-KPL-900	COLLAR, FR. WHEEL SIDE	1
* BEARING, RADIAL BALL, 6201(U) (ADD. 0.1 FOR EACH.)	0.4 --	5	44601-AAW-00099	WHEEL COMP. FR	1
* COLLAR, FRO. WHEEL DISTANCE	--	6	44622-AAW-400V	TAPE FR, WHEEL	2
* PANEL SUB ASSY., FRONT BRAKE (INC. RELATIVE PART)	-- --		44622-AAW-400X	TAPE FR, WHEEL	2
			44622-AAW-400W	TAPE FR, WHEEL	2
* TYRE	0.6	7	44620-AAW-000	COLLAR FR WHEEL DISTANCE	1
* WHEEL SUB ASSY., FRONT	--	8	44711-AAW-00099	TYRE FR	1
* RIM COMP., WHEEL	0.7	9	44805-KTP-900	PINION, SPDMT	1
		10	44809-170-000	WASHER, SPEEDOMETER GEAR	1
		11	44810-KTC-900	BUSH, PINION	1
		12	44811-KPL-900	GEAR, SPDMT	1
		13	45010-AAW-000	PANEL SUB COMP FR BRAKE	1
		14	45125-AAH-F0099	SHOE COMP BRAKE	2
			45125-AAH-F0099	SHOE COMP BRAKE	2
		15	45133-KCC-900	SPRING, FR. BRAKE SHOE	2
		16	45134-250-000	DUST SEAL, BRAKE CAM	1
		17	45141-AAW-000	CAM FRONT BRAKE	1
		18	45145-AAW-000	INDICATOR FRONT BRAKE	1
		19	45410-AAW-000	ARM FR BRAKE	1
		20	45435-GB2-720	SPRING, BRAKE ARM RETURN	1
		21	45456-AAW-000	SPRING BRK CABLE END	2
		22	45459-AAW-000	NUT, BRAKE ADJUSTING	2
		23	51502-AAW-000	BRKT CABLE GUIDE BRAKE PANEL	1
		24	95701-06032-00	BOLT, FLANGE, 6 X 32	1
		25	90306-KST-942	NUT, CASTLE, 12 MM	1

	90306-KTE-911	NUT, CASTLE, 12 MM	1
26	95701-06010-00	BOLT, FLANGE, 6 X 10	1
27	90754-KPL-900	SEAL, DUST 20 X 32 X 5	1
28	90912-KPL-900	BEARING BALL RADIAL 6201(U)	2
29	91253-KPL-900	DUST SEAL , 41 X60 X7	1
30	94050-06000	NUT, FLANGE, 6 MM	1

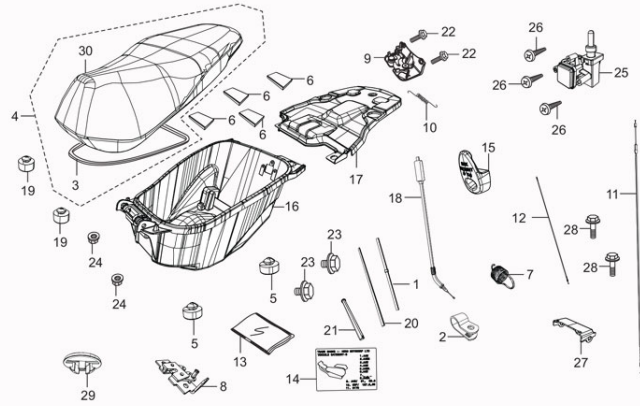


**F-11**  
REAR WHEEL



<b>Service Item</b>	<b>F.R.T.</b>	<b>Group Number: F-11 Model :: Dash (July, 2017)</b>			
		<b>Ref No.</b>	<b>Part Number</b>	<b>Description</b>	<b>Req.</b>
* SHOE SET, BRAKE	0.4	1	42601-AAW-000	WHEEL COMP. RR	1
* ARM, RR. BRAKE	0.5	2	42711-AAL-00099	TYRE	1
* CAM, RR. BRAKE	--	3	42753-AAL-001	RIM,VALVE	1
* TYRE	0.7	4	43141-KTP-900	CAM, REAR BRAKE	1
* TUBE SET, TUFFUP	--	5	43410-AAW-000	ARM REAR BRAKE	1
* WHEEL SUB ASSY., RR.	--	6	43472-KPL-900	SPRING, REAR, BRAKE ARM	1
* RIM COMP., WHEEL	0.8	7	45125-AAH-F0099	SHOE COMP BRAKE	2
		8	45133-KCC-900	SPRING, FR. BRAKE SHOE	2
		9	95015-42000	NUT B ADJUST	1
		10	90112-KTP-900	BOLT, FLANGE, 6X32	1
		11	90305-KPL-900	NUT, HEX, SPL., 16MM	1
		12	95015-32001	JOINT B BRAKE ARM	1
		13	90501-KPL-900	WASHER, 16 MM	1
		14	42622-AAW-400V	TAPE RR, WHEEL	2
			42622-AAW-400X	TAPE RR, WHEEL	2
			42622-AAW-400W	TAPE RR, WHEEL	2

**F-12**  
SEAT/LUGGAGE BOX

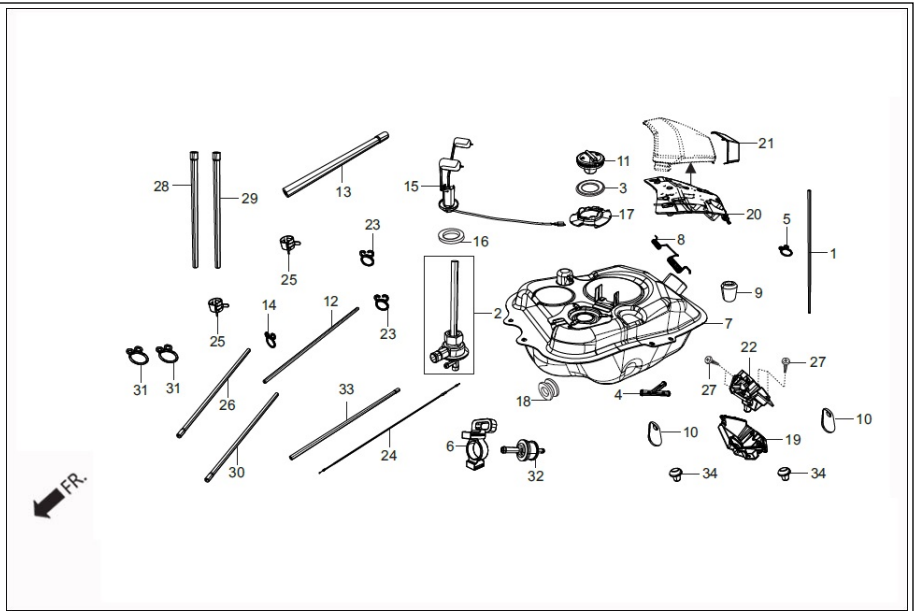


Service Item	F.R.T.
* SEAT COMP., DOUBLE	0.1
* BOX, LUGGAGE	0.3
* HINGE COMP., SEAT	0.4

Group Number: F-12 Model :: Dash (July, 2017)				
Ref No.	Part Number	Description	Req.	
1	17515-AAW-000	V.TUBE 8X12X340	1	
2	37216-AAW-001	CLAMP	1	
3	77115-AAW-000	RUBBER, SEAL	1	
4	77200-AAW-400	SEAT COMP DOUBLE	1	
5	77206-AAW-000	RUBBER SEAT SETTING	2	
6	77211-AAW-000	CUSHION SEAT	4	
7	77234-AAW-000	SPRING	1	
8	77235-AAW-000	CATCH FUEL LID	1	
9	77236-AAW-000	SEAT CATCH COMP.	1	
10	77236-GBL-000	SPRING SEAT CATCH	1	
11	77244-AAW-000	FUEL LID COVER CATCH CABLE FR	1	
12	77243-AAW-001	CABLE SEAT LOCK	1	
13	77251-KPL-900	BAG, SERVICE BOOK	1	
14	87503-AAW-100	ANTI TAMPERING CONTROL STICKER	1	
15	81139-AAW-000	LOAD HOOK FR	1	
16	81250-AAW-000	BOX LUGGAGE	1	
17	81253-AAW-000	LUGGAGE BOX B	1	
18	77245-AAW-000	FUEL LID COVER CATCH CABLE RR	1	
19	77206-KG8-900	RUBBER, SEAT SETTING	2	
20	83408-AAW-000	RUBBER SEAL FUEL TRAY	1	
21	90105-AAW-000	PIN HINGE	1	
22	90112-KRP-900	BOLT, FLANGE, 6X18	2	
23	93404-06020-00	BOLT, WASH, 6 X 20	2	
24	94050-06000	NUT, FLANGE, 6 MM	2	
25	33200-AAW-301	LIGHT ASSY., BOOT.	1	
26	93903-34410	SCREW, TAPPING, 4 X 16.	3	
27	77201-AAW-000	PLATE HINGE	1	
28	95701-06016-00	BOLT, FLANGE, 6X16	2	

29	81133-AAW-500	CAP CHOKE CABLE	1
30	7720B-AAW-000	COVER ASSY. SEAT	1

**F-13**  
FUEL TANK



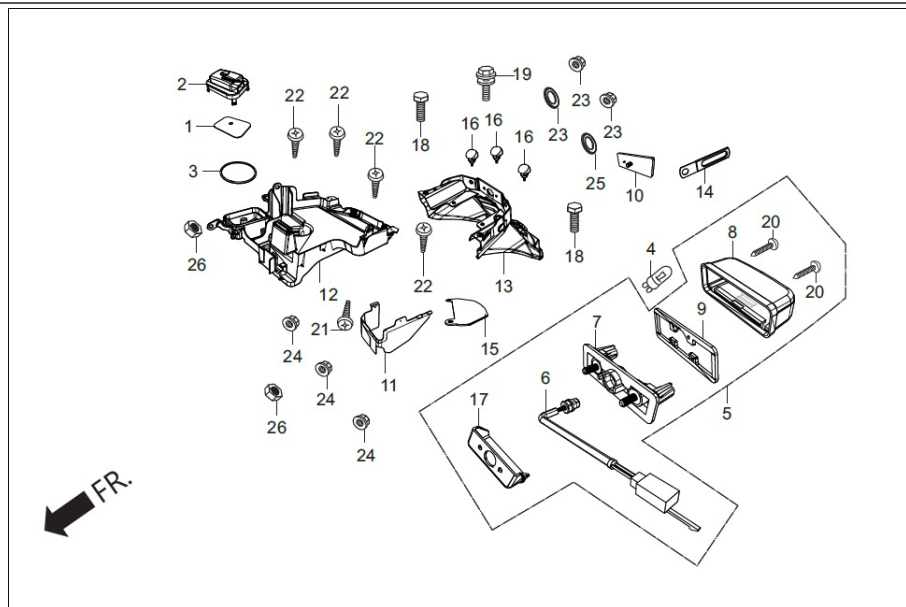
Service Item	F.R.T.
* BELT DRIVE	0.4
* UNIT, SET, FUEL	--
* SET, FUEL STRAINER SCREEN	--
* TANK COMP., FUEL	0.5

Group Number: F-13 Model :: Dash (July, 2017)				
Ref No.	Part Number	Description	Req.	
1	15543-AAW-000	FUEL LID AXLE	1	
2	16950-KRP-981	COCK ASSY,FUEL	1	
3	17029-AAW-000	FILLER NECK GASKET	1	
4	17320-AAW-000	JOINT 3 WAY	1	
5	95002-50000	CLIP, C9 TUBE	1	
6	17451-AAW-000	SUSPENSION TWO WAY VALVE	1	
7	17500-AAW-000	TANK COMP FUEL	1	
8	17544-AAW-000	FUEL LID SPRING	1	
9	17545-AAW-000	FUEL LID STUD STOPPER	1	
10	17546-AAW-000	FUEL LID AXLE STOPPER	2	
11	17620-AAW-000	CAP COMP.FUEL FILLER	1	
12	17684-AAW-000	TUBE COMP. VACCUM	1	
13	17696-AAW-000	TUBE 2 WAY VALVETANK	1	
14	95002-02080	CLIP, TUBE	1	
15	37800-AAW-00099	UNIT ASSY. FUEL	1	
16	37801-GA7-700	PACKING, BASE	1	
17	37802-GA7-700	RETAINER FUEL UNIT	1	
18	77202-AAW-000	RUBBER TRAY FUEL COVER	1	
19	80153-AAW-000	TRAY FUEL	1	
20	80154-AAW-000	COV. FUEL TANK	1	
21	80155-AAW-001	EMBLEM COV. FUEL TANK	1	
22	80159-AAW-000	COVER, TRAY FUEL	1	
23	95002-02070	CLIP, B-7 TUBE	2	
24	77244-AAW-000	FUEL LID COVER CATCH CABLE FR	1	
25	91406-KFN-850	CLAMP, D14.5 TUBE	2	
26	95001-45390-40	TUBE 4.5X390	1	
27	93903-24380	SCREW TAPPING, 4 X 12	4	
28	95003-23027-60	V TUBE 8X12X270	1	

29	95003-23033-60	V. TUBE 8 X 12 X 330	1
30	17697-AAW-000	TUBE 2 WAY VALVEOUT	1
31	95002-02100	CLIP, B-10 TUBE	2
32	17450-AAW-000	TWO WAY VALVE	1
33	17697-AAW-000	TUBE 2 WAY VALVEOUT	1
34	80158-AAW-000	RUBBER BUSH TRAY FUEL	2

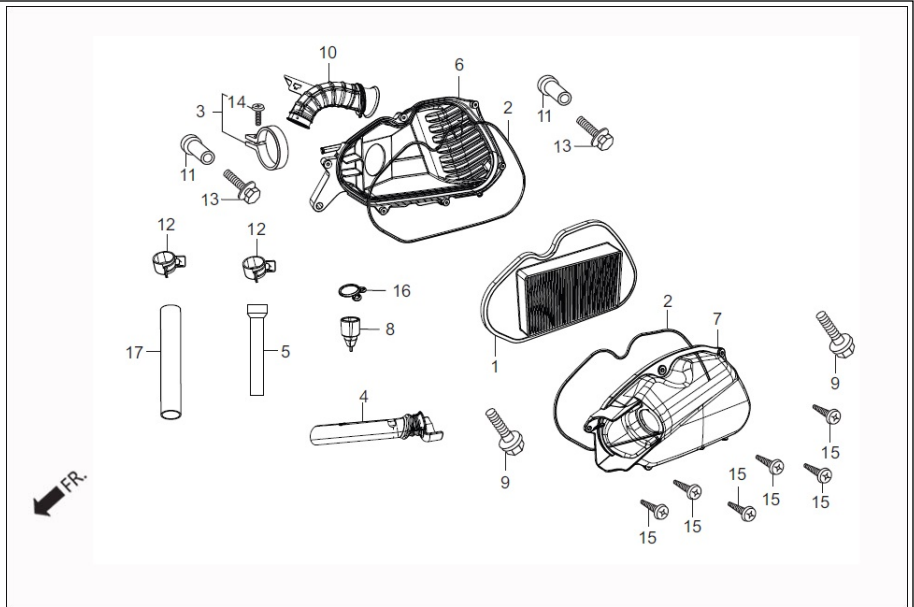


**F-14**  
REAR FENDER



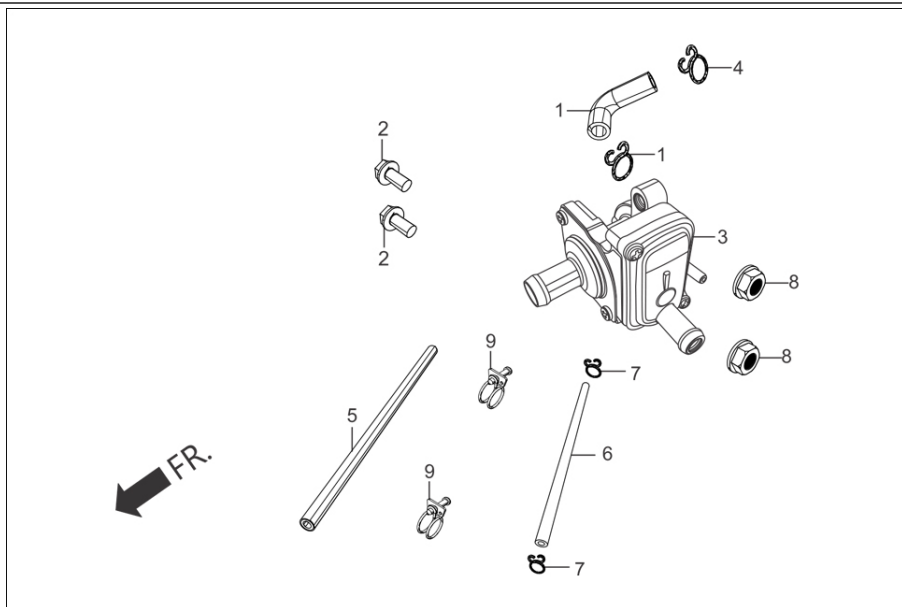
<b>Service Item</b>	<b>F.R.T.</b>	<b>Group Number: F-14 Model :: Dash (July, 2017)</b>			
		<b>Ref No.</b>	<b>Part Number</b>	<b>Description</b>	<b>Req.</b>
* ELEMENT, SUB AIR CLEANER	0.2	1	18805-KPL-900	ELEMENT, SUB AIR CLEANER	1
* FENDER SUB ASSY., RR.	0.5	2	18807-KPL-900	COVER, SUB AIR CLEANER	1
		3	18812-KPL-900	SEAL, SUB AIR CLEANER	1
		4	34351-AAB-401	BULB (12VW5W) E MARK	1
		5	3372B-AAW-101	LIGHT ASSY. LICENSE	1
		6	33721-AAW-101	SOCKET COMP.	1
		7	33722-KVE-900	BASE COMP.	1
		8	33723-KVE-900H	COVER COMP.	1
		9	33729-MCZ-003	PACKING, LENS	1
		10	33741-AAM-101	REFLEX REFLECTOR	1
		11	80104-AAW-300	PLATE RR FENDER SPLASH GUARD	1
		12	80105-AAW-000	FENDER RR.UPPER	1
		13	80106-AAW-000	FENDER RR LOWER	1
		14	80107-AAY-000	CLIP 0.5X50	1
		15	80132-AAW-000	RUBBER PROTECTION RR. FENDER	1
		16	80145-AAW-000	RUBBER STOPPER	3
		17	80203-AAW-000	RUBBER LICENSE LIGHT	1
		18	92000-06016-0A	BOLT, HEX., 6 X 16	2
		19	93404-06012-00	BOLT, WASHER, 6 X 12	1
		20	93901-24480	SCREW, TAPPING, 4 X 16	2
		21	93903-24420	SCREW,TAPPING,4 X 16	1
		22	93903-24480	SCREW, TAPPING, 4X16	4
		23	94050-05000	NUT FLANGE, 5 MM	2
		24	94050-06000	NUT, FLANGE, 6 MM	3
		25	94101-06000	WASHER, PLAIN, 6 MM	2
		26	90311-AAA-000	NUT REAR FENDER	2

# F-15 AIR CLEANER



<b>Service Item</b>	<b>F.R.T.</b>	<b>Group Number: F-15 Model :: Dash (July, 2017)</b>			
		<b>Ref No.</b>	<b>Part Number</b>	<b>Description</b>	<b>Req.</b>
* COVER, AIR CLEANER	0.1	1	17208-ABS-001	HOLDER COMP. ELEMENT	1
* ELEMENT ASSY., AIR CLEANER	--	2	17212-AAL-200	SEAL AIR/ C COVER	2
* CASE SUB ASSY., AIR CLEANER	0.4	3	95018-AAW-000	BAND 40 AIR/C CONN TUBE	1
* TUBE, AIR CLEANER CONNECTING	0.4	4	17215-AAL-500	DUCT AIR/C	1
		5	17216-KTP-900	TUBE, DRAIN	1
		6	17233-AAW-300	CASE AIR/C	1
		7	17231-AAW-000	COV. AIR CLEANER	1
		8	17234-KCC-940	TUBE AIR CLEANER DRAIN	1
		9	95701-06012-00	BOLT, FLANGE, 6X12	2
		10	17253-AAL-500	TUBE AIR/C CONN	1
		11	50731-KV3-770	COLLAR, PILLION STEP SET	2
		12	90602-KPL-900	CLAMP, D12 TUBE	2
		13	93404-06040-07	BOLT, WASH, 6 X 40	2
		14	93500-04025-0G	SCREW, PAN, 4X25	1
		15	93903-25480	SCREW TAPPING 5X20	6
		16	95002-02130	CLIP B 12.5 TUBE	1
		17	95003-23032-60	V TUBE 8X12X320	1

## F-15A AIR SUCTION VALVE



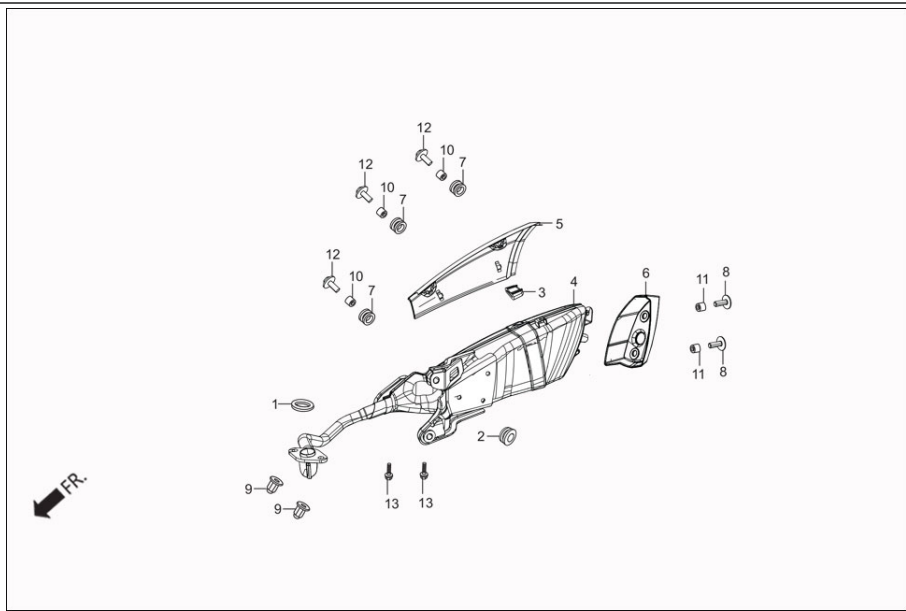
Service Item	F.R.T.
* VALVE ASSY., AIR SUCTION	0.2

**Group Number:** F-15A Model :: Dash (July, 2017)

Ref No.	Part Number	Description	Req.
1	17316-611-000	CLIP, BREATHER TUBE	2
2	95701-06012-00	BOLT, FLANGE, 6X12	2
3	18600-AAW-301	VALVE ASSY.AIR SUCTION	1
4	18651-AAW-000	TUBE ASV	1
5	18652-AAW-300	HOSE AIR SUCTION VALVE	1
6	18653-AAW-000	TUBE ASV VACUUM	1
7	95002-02070	CLIP, B-7 TUBE	2
8	94050-06000	NUT, FLANGE, 6 MM	2
9	91462-KM7-910	CLIP, TUBE	2

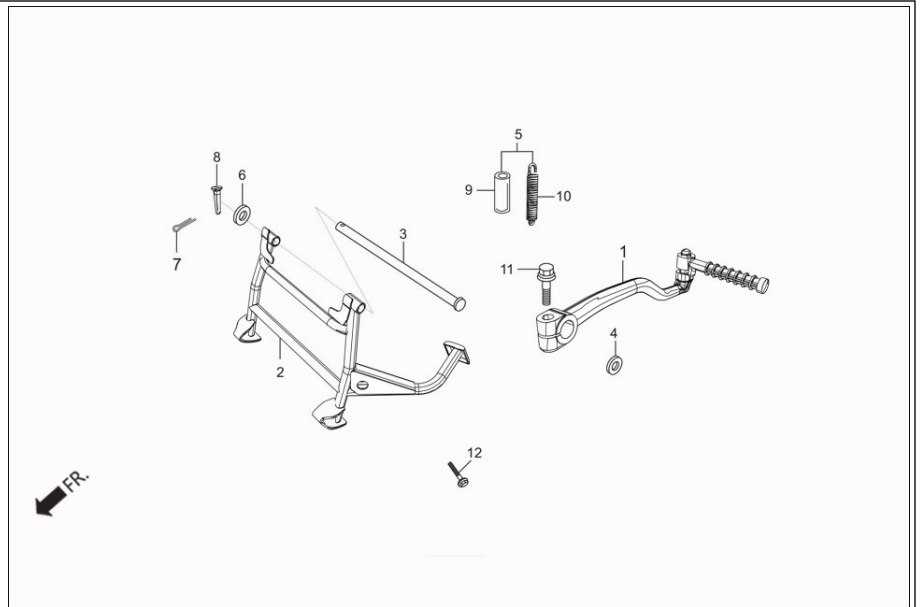
# F-16

## EXHAUST MUFFLER



<b>Service Item</b>	<b>F.R.T.</b>	<b>Group Number: F-16 Model :: Dash (July, 2017)</b>			
		<b>Ref No.</b>	<b>Part Number</b>	<b>Description</b>	<b>Req.</b>
* PROTECTOR, EX. PIPE	0.1	1	18292-GY1-610	GASKET, EXH.PIPE	1
* PROTECTOR MUFFLER	--	2	18293-AAW-000	RUBBER PKG. PROTECTOR	1
* GASKET, EX. PIPE	0.2	3	18293-KPK-900	RUBBER, PKG. PROTECTOR	1
* MUFFLER COMP. EX.	--	4	18300-AAW-700	MUFFLER COMP EXH (VX)	1
		5	18318-AAW-000	PROTECTOR MUFFLER	1
		6	18340-AAW-000	COV. TAIL CAP	1
		7	18345-AAW-000	RUBBER, PROTECTOR MOUNT	3
		8	90102-AAW-000	BOLT. SPECIAL 6X20	2
		9	90308-KPL-840	NUT, CAP, 6 MM	2
		10	90311-AAW-000	COLLAR M6X7.1	3
		11	90312-AAW-000	COLLAR M6X11	2
		12	93404-06016-07	BOLT-WASHER, 6 X 16	3
		13	95801-AAW-000	BOLT FLANGE 10X45	2

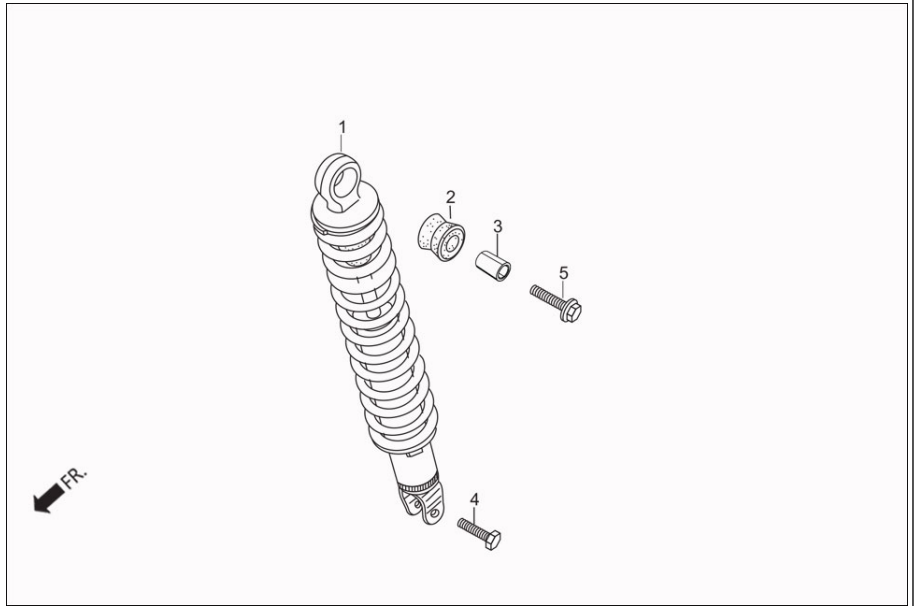
**F-17**  
ARM KICK START/MAIN STAND





<b>Service Item</b>	<b>F.R.T.</b>	<b>Group Number: F-17 Model :: Dash (July, 2017)</b>			
		<b>Ref No.</b>	<b>Part Number</b>	<b>Description</b>	<b>Req.</b>
* ARM ASSY., KICK STARTER	0.1	1	28300-AAL-400	ARM ASSY KICK STARTER	1
* SPRING ASSY., MAIN STAND	0.2	2	50500-AAW-000	STAND COMP. MAIN ASSY	1
* STAND COMP., MAIN	0.3	3	50503-GCC-000	SHAFT, MAIN STAND	1
		4	94103-04800	WASHER PLAIN 4MM	1
		5	50505-GCC-000	SPG.ASSY., MAIN STAND	1
		6	94102-12000	WASHER, PLAIN, 12MM	1
		7	94201-25250	PIN, SPLIT, 2.5X25	1
		8	94201-AAW-000	PIN STEP PILLION	1
		9	95005-14070-30	TUBE, 14X70	1
		10	95014-71202	SPRING B., MAIN STAND	1
		11	95701-08025-07	BOLT FLANGE 8X25	1
		12	90111-KPL-900	BOLT, INNER COVER	1

**F-18**  
REAR CUSHION

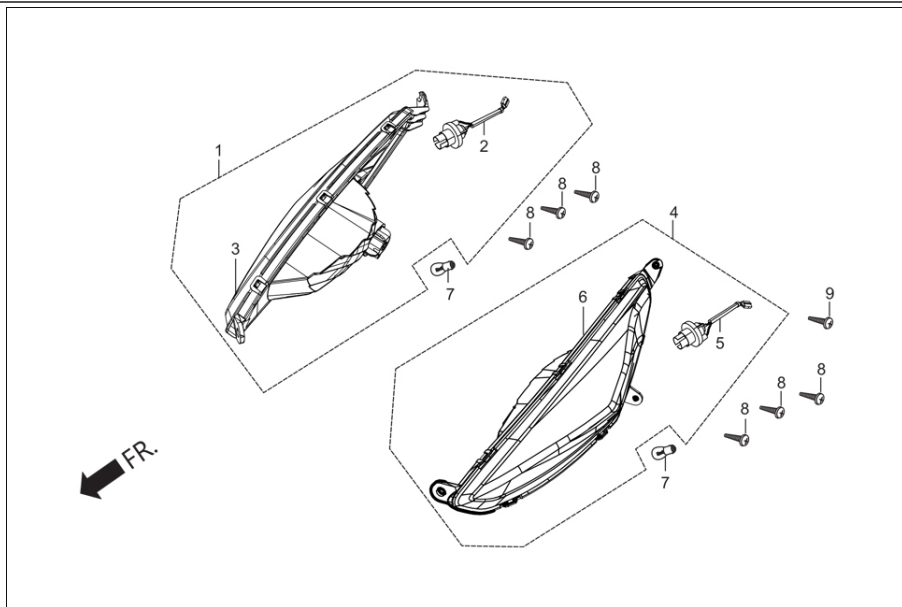


Service Item	F.R.T.
* CUSHION ASSY., RR	0.4

Group Number: F-18 Model :: Dash (July, 2017)

Ref No.	Part Number	Description	Req.
1	52400-AAW-000	CUSHION ASSY. RR	1
2	52485-088-901	BUSH, RUBBER (UNDER)	1
3	52486-GA7-003	COLLAR, RUBBER BUSH (UNDER)	1
4	92201-08032-0A	BOLT, FLANGE, 8 X32	1
5	95801-10035-00	BOLT, FLANGE, 10X35	1

## F-19 FRONT WINKER

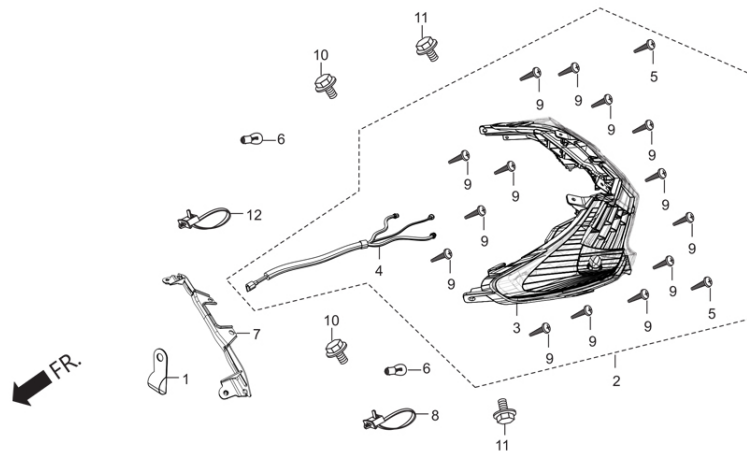


Service Item	F.R.T.
* BULB, WINKER	0.1
(SAME TIME FOR TWO UNITS)	--
(FR. SIDE 0.2)	--
(SAME TIME FOR TWO UNITS)	--
* WINKER ASSY. FR	0.3

**Group Number: F-19 Model :: Dash (July, 2017)**

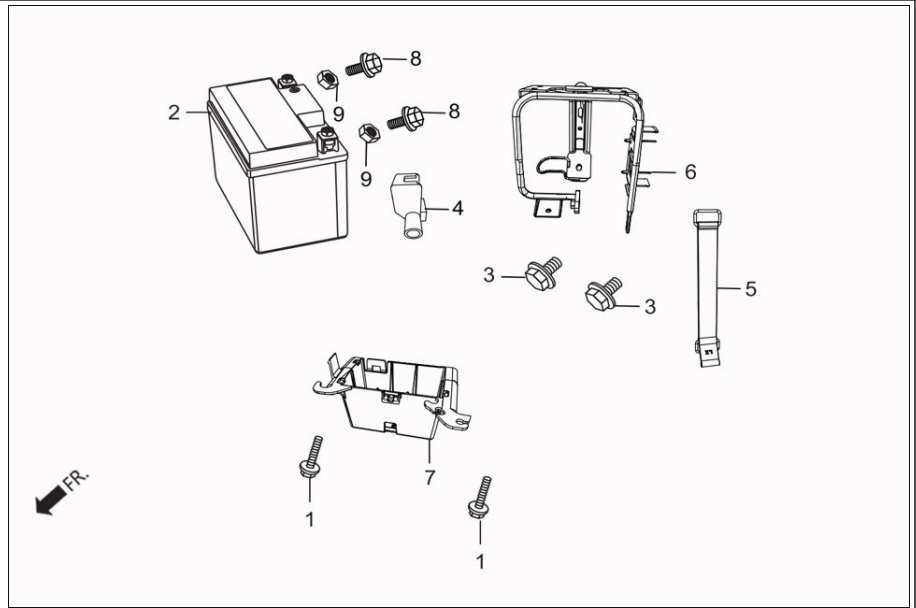
Ref No.	Part Number	Description	Req.
1	3340B-AAW-10099	WINKER ASSY R FR(W/O BULB)	1
2	33405-AAW-101	SOCKET COMP,R	1
3	33410-AAW-00099	LENS COMP,R	1
4	3345B-AAW-10099	WINKER ASSY L FR(W/O BULB)	1
5	33455-AAW-101	SOCKET COMP,L	1
6	33460-AAW-00099	LENS COMP,L	1
7	34908-AAB-401	BULB (12V10W) AMBER E MARK	2
8	93903-34410	SCREW, TAPPING, 4 X 16.	6
9	93903-25880	SCREW TAPPING 5X40	1

**F-20**  
REAR COMBINATION LIGHT



<b>Service Item</b>	<b>F.R.T.</b>	<b>Group Number: F-20 Model :: Dash (July, 2017)</b>			
* BULB, TAIL LIGHT	0.1	<b>Ref No.</b>	<b>Part Number</b>	<b>Description</b>	<b>Req.</b>
* BASE COMP., RR	0.4	1	32175-AAW-000	CLAMP	1
* LIGHT ASSY., RR. COMB.	--	2	3370B-AAW-10099	LIGHT ASSY REAR COMB(W/O BULB)	1
* BULB, WINKER	0.1	3	33710-AAW-101	UNIT,RR COMB	1
(SAME TIME FOR TWO UNITS)	--		33710-AAW-102	UNIT,RR COMB	1
		4	33715-AAW-101	SOCKET COMP	1
		5	93913-AAW-001	SCREW 3X12	2
		6	34908-AAB-401	BULB (12V10W) AMBER E MARK	2
		7	83562-AAW-000	TAIL LIGHT MTG BRACKET FR	1
		8	91547-AAW-000	BAND HARN	1
		9	93913-24120	SCREW, TAPPING, 4 X 10	14
		10	95701-06012-07	BOLT, FLANGE, 6X12	2
		11	90111-187-000	BOLT, FLANGE. 6 MM	2
		12	91547-AAW-000	BAND HARN	1

## F-21 BATTERY

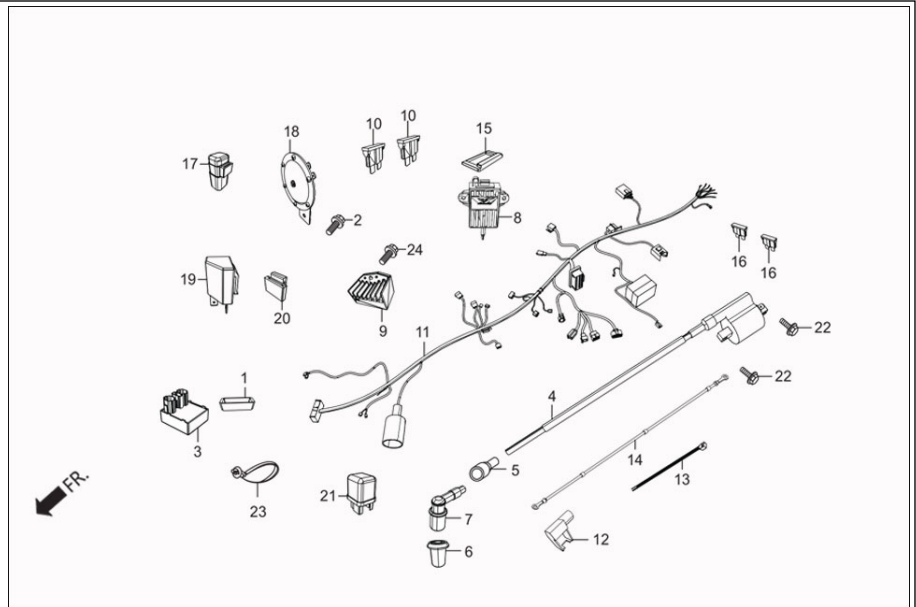


Service Item	F.R.T.
BATTERY ASSY.	0.2

**Group Number:** F-21 Model :: Dash (July, 2017)

Ref No.	Part Number	Description	Req.
1	95701-06012-00	BOLT, FLANGE, 6X12	2
2	31500-KRP-801	BATTERY ASSY	1
3	90102-AAW-000	BOLT. SPECIAL 6X20	2
4	32412-AAW-001	COV. BAT TERMINAL	1
5	50327-AAW-000	BAND BATTERY	1
6	50330-AAW-310	TRAY COMP BATTERY (LX)	1
7	50380-AAW-000	BATTERY BOX	1
8	90122-KVT-941	BOLT BATTERY TERMINAL	2
9	90306-KVT-941	NUT BATTERY TERMINAL	2

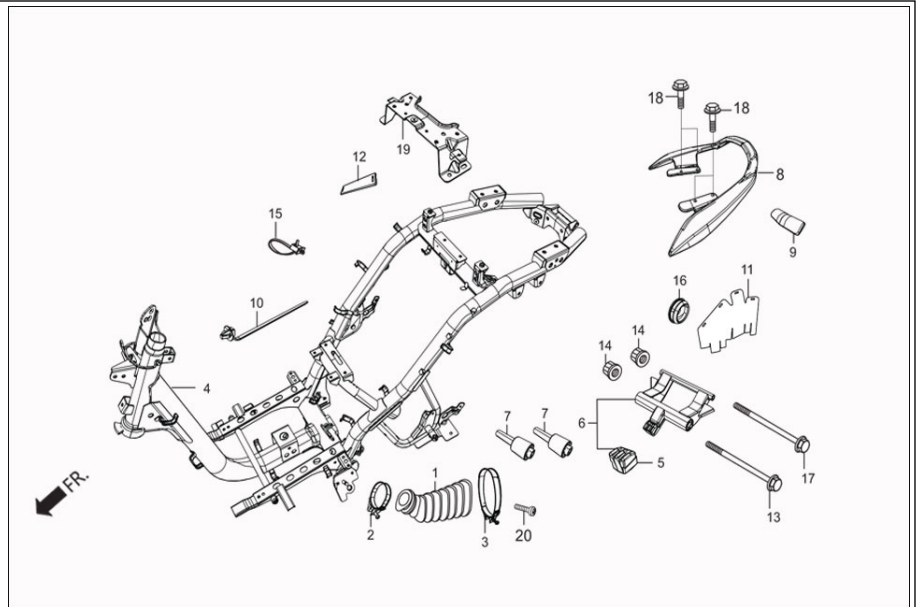
# F-22 WIRE HARNESS



<b>Service Item</b>	<b>F.R.T.</b>	<b>Group Number: F-22 Model :: Dash (July, 2017)</b>			
		<b>Ref No.</b>	<b>Part Number</b>	<b>Description</b>	<b>Req.</b>
UNIT COMP., CDI	0.4	1	30401-KVE-901	CUSHION, C.D.I. UNIT	1
COIL COMP., IGN.	--	2	95701-06012-00	BOLT, FLANGE, 6X12	1
REG. RECTIFIER COMP.	--	3	30410-AAL-501	UNIT COMP SPARK	1
RELAY COMP., WINKER	--	4	30510-AAW-001	COIL COMP. IGNITION	1
HARNESS, WIRE	0.9	5	30604-KTP-890	CAP, CORD WATER PROOF.	1
		6	30605-KTP-951	SEAL, H/T TERMINAL	1
		7	30700-KTP-951	CAP ASSY., NOISE SUPPRESSOR	1
		8	31300-AAW-001	USB CHARGER ASSY	1
		9	31600-AAW-301	REG RECT ASSY	1
		10	98200-31000	BLADE, FUSE 10A	2
		11	32100-AAW-701	HARNESS WIRE	1
		12	32412-AAW-001	COV. BAT TERMINAL	1
		13	90652-AAW-300	CABLE TIE	2
		14	32603-KPL-780	CABLE, ENG-FRM. EARTH	1
		15	31301-AAW-001	GASKET, USB CHARGER	1
		16	98200-31500	BLADE, FUSE, 15A	2
		17	38506-AAW-301	SUSP. START RELAY	1
		18	38110-AAL-301	HORN COMP	1
		19	38301-AAJ-102	RELAY COMP. WINKER	1
		20	38306-GE7-000	SUSPENSION, WINKER RELAY	1
		21	38501-AAW-301	RELAY COMP. START	1
		22	96001-06018-00	BOLT, FLANGE, 6 X 18	2
		23	91541-S0A-003	CLIP BAND HARN	1
		24	95701-06016-00	BOLT, FLANGE, 6X16	1

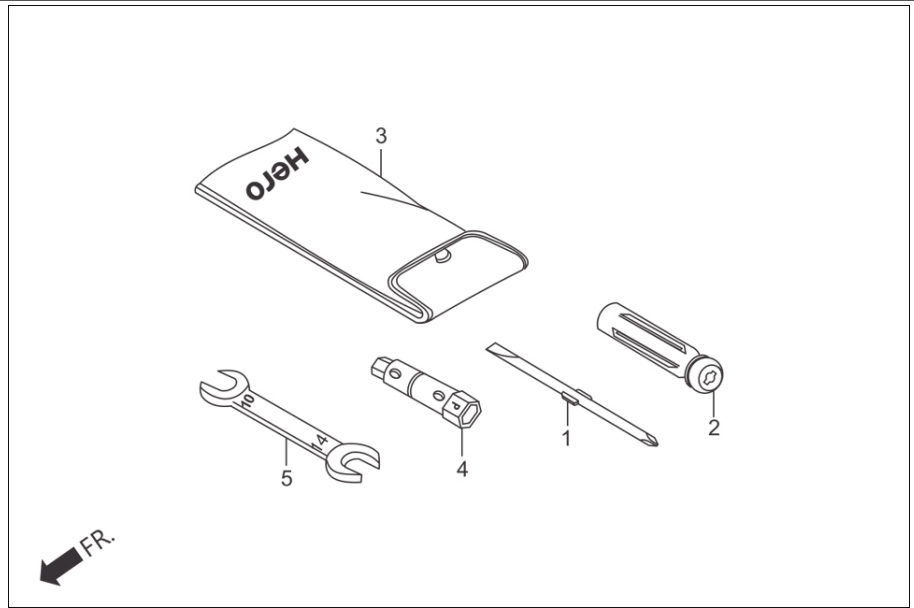


**F-23**  
FRAME BODY



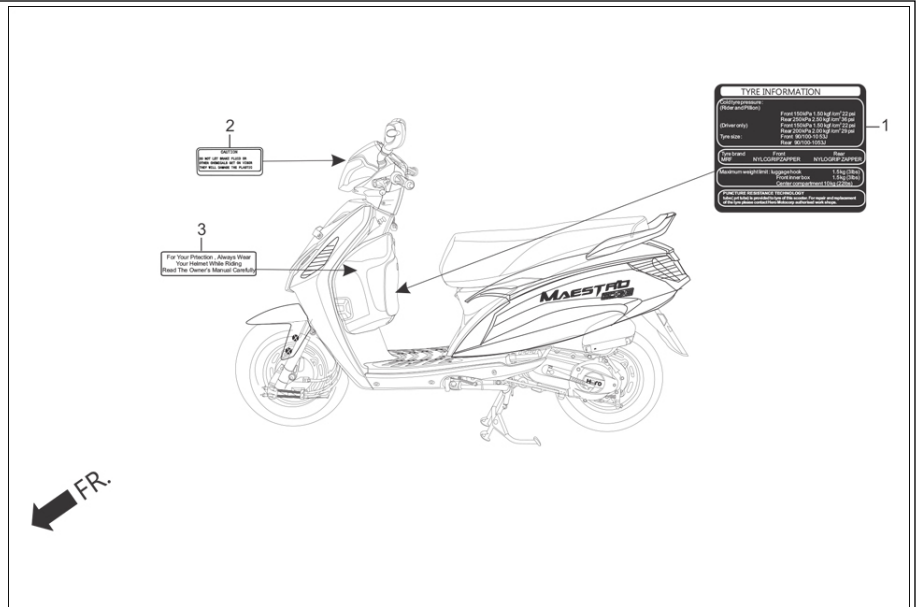
<b>Service Item</b>	<b>F.R.T.</b>	<b>Group Number: F-23 Model :: Dash (July, 2017)</b>			
		<b>Ref No.</b>	<b>Part Number</b>	<b>Description</b>	<b>Req.</b>
* DUCT., L. COVER	0.3	1	11345-AAW-300	DUCT L. COVER	1
* LINK SUB ASSY., ENG. HANGER	1.1	2	11346-AAW-000	BAND L COVER DUCT	1
* FRAME BODY COMP.	1.6	3	11347-AAW-300	BAND L COVER DUCT	1
		4	50100-AAW-300	FRAME BODY COMP	1
		5	50352-GW0-730	RUBBER, LINK STOPPER	1
		6	50355-AAW-000	LINK SUB ASSY ENG HANGER	1
		7	50353-AAW-000	BUSH RUBBER ,ENG HANGER	2
		8	77300-AAW-400	GRIP RR	1
		9	77310-AAW-000	RUBBER PAD	1
		10	90657-AAW-300	CABLE TIE (LONG)	4
		11	80102-AAW-300	PLATE, FRAME, BODY SPLASH GUARD	1
		12	81252-AAW-500	COVER FRAME NO.	1
		13	90106-GCC-000	BOLT, FLANGE 10X238	1
		14	90304-KCS-920	NUT U 10 MM	2
		15	90672-KPL-901	BODY, CLIP	1
		16	90862-GCC-000	PLUG, FRAME, END	1
		17	90105-KJ9-000	BOLT, FLANGE 10X210	1
		18	95701-08020-00	BOLT, FLANGE, 8X20	4
		19	50263-AAW-000	RR. GRIP BRACKET ASSY.	1
		20	93500-04032-0G	SCREW, PAN, 4 X 32	1

**F-24**  
TOOLS



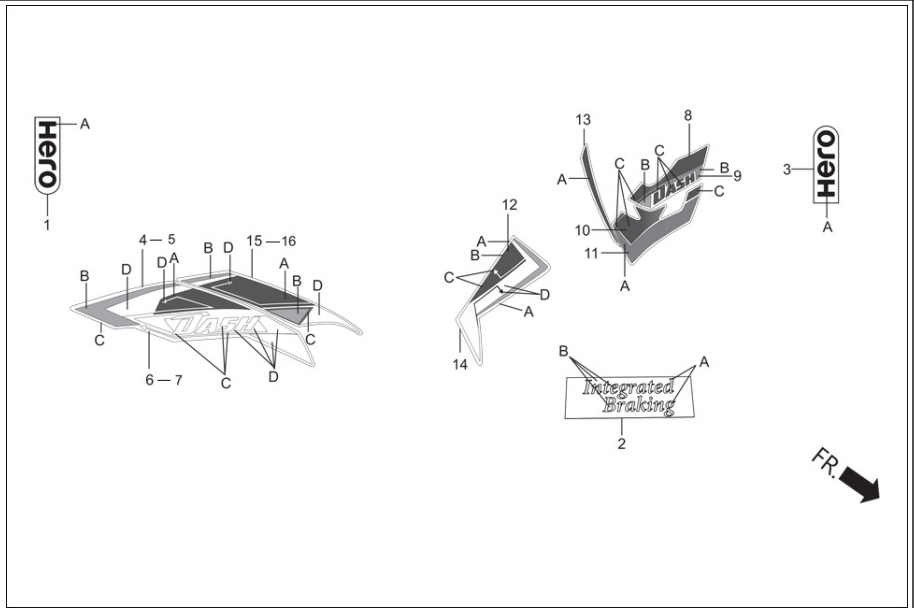
Service Item	F.R.T.	Group Number: F-24 Model :: Dash (July, 2017)			
		Ref No.	Part Number	Description	Req.
		1	89102-538-000	SCREW, DRIVER PLUS/MINUS	1
		2	89103-538-000	GRIP, SCREW DRIVER	1
		3	89216-AAD-H00	TOOL BAG	1
		4	89216-KTP-900	WRENCH, PLUG(16)	1
		5	89218-AAL-H00	SPANNER 14	1

## F-25 CAUTION LABEL



Service Item	F.R.T.	Group Number: F-25 Model :: Dash (July, 2017)		
Ref No.	Part Number	Description	Req.	
1	87505-AAW-000	LABEL TYRE	1	
2	87522-AAW-000	LABEL VISOR CAUTION	1	
3	87560-MZO-670	LABEL, DRIVE	1	

**F-27**  
MARK/STRIPE



Service Item

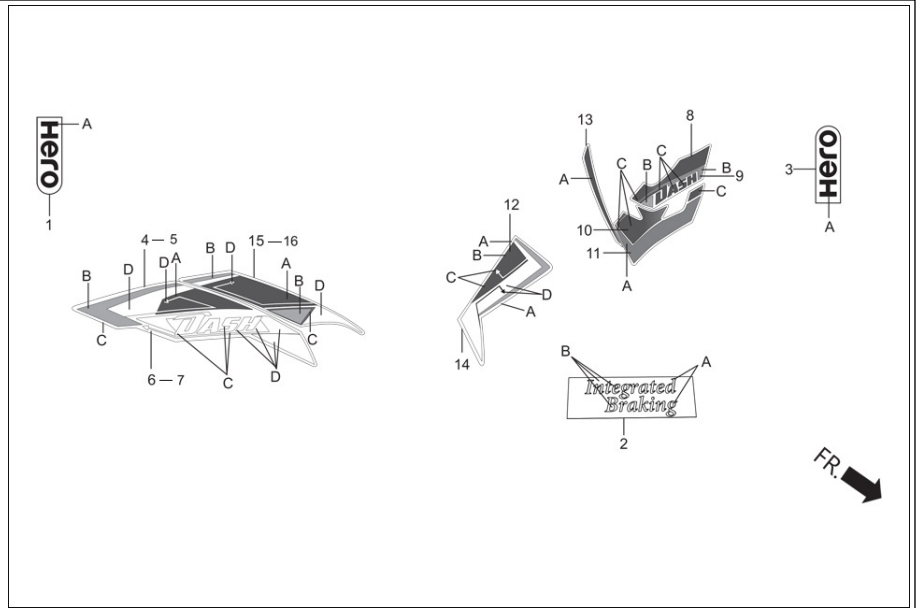
F.R.T.

Group Number: F-27 Model :: Dash (July, 2017)

Ref No.	Part Number	Description	Req.
1	83771-AAW-000S	MARK CENTER COWL (TYPE2)	1

SPECIFIED COLOUR CHART FOR, MARK CENTER RR COWL		
SPECIFIED COLOUR TYPE	A	MAIN BODY COLOUR
2	PEARL FADELESS WHITE (NH-341P)	MATT AXIS GRAY METALLIC (NH-303M) TYPE-1
		MATT AXIS GRAY METALLIC (NH-303M) TYPE-3
		SPORTS RED (R-321)
		TECHNO BLUE METALLIC (BL-002M)

# F-27 MARK/STRIPE



Service Item

F.R.T.

Group Number: F-27 Model :: Dash (July, 2017)

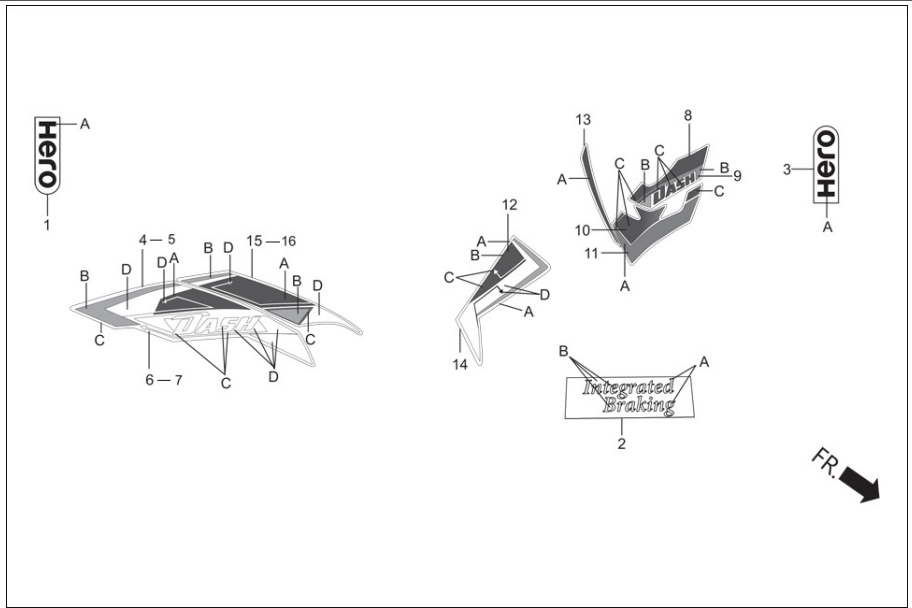
Ref No.	Part Number	Description	Req.
2	86217-AAW-000R	MARK,IB FR FENDER	1
	86217-AAW-000S	MARK,IB FR FENDER	1

**SPECIFIED COLOUR CHART FOR, MARK, IB FR. FENDER**

SPECIFIED COLOUR TYPE	<b>A</b>	<b>B</b>	<b>MAIN BODY COLOUR</b>
1	BLACK NH-1	TRANSPARENT	MATT AXIS GRAY METALLIC (NH-303M) TYPE-1
1	BLACK NH-1	TRANSPARENT	MATT AXIS GRAY METALLIC (NH-303M) TYPE-3
2	PEARL FADELESS WHITE	TRANSPARENT	SPORTS RED (R-321)
2	PEARL FADELESS WHITE	TRANSPARENT	TECHNO BLUE METALLIC (BL-002M)



**F-27**  
MARK/STRIPE



Service Item

F.R.T.

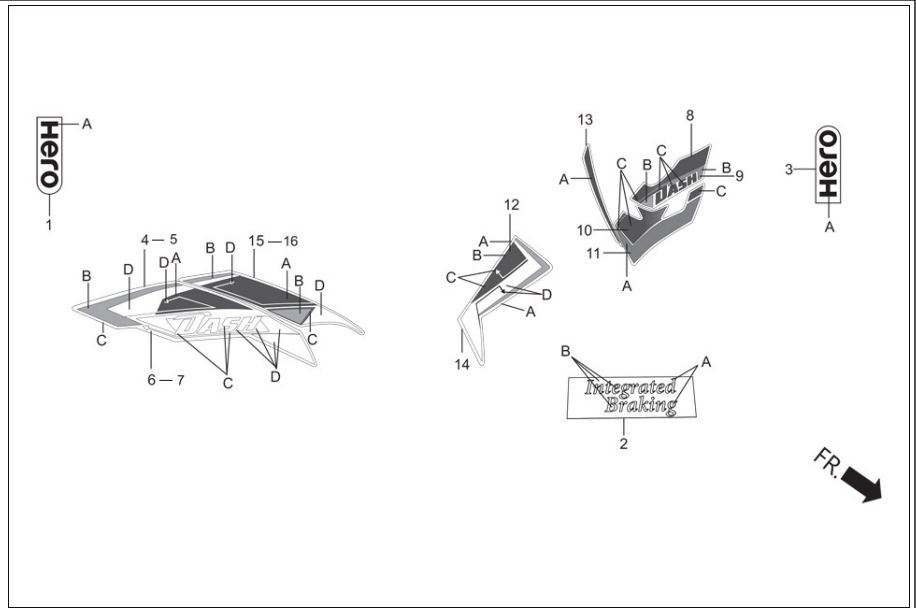
Group Number: F-27 Model :: Dash (July, 2017)

Ref No.	Part Number	Description	Req.
3	86531-AAW-000	MARK,WIND SCREEN	1

**SPECIFIED COLOUR CHART FOR, MARK WIND SCREEN**

SPECIFIED COLOUR TYPE	A	MAIN BODY COLOUR
1	FORCE SILVER METALLIC (NH-411M)	MATT AXIS GRAY METALLIC (NH-303M) TYPE-1
		MATT AXIS GRAY METALLIC (NH-303M) TYPE-3
		SPORTS RED (R-321)
		TECHNO BLUE METALLIC (BL-002M)

**F-27**  
MARK/STRIPE



Service Item

F.R.T.

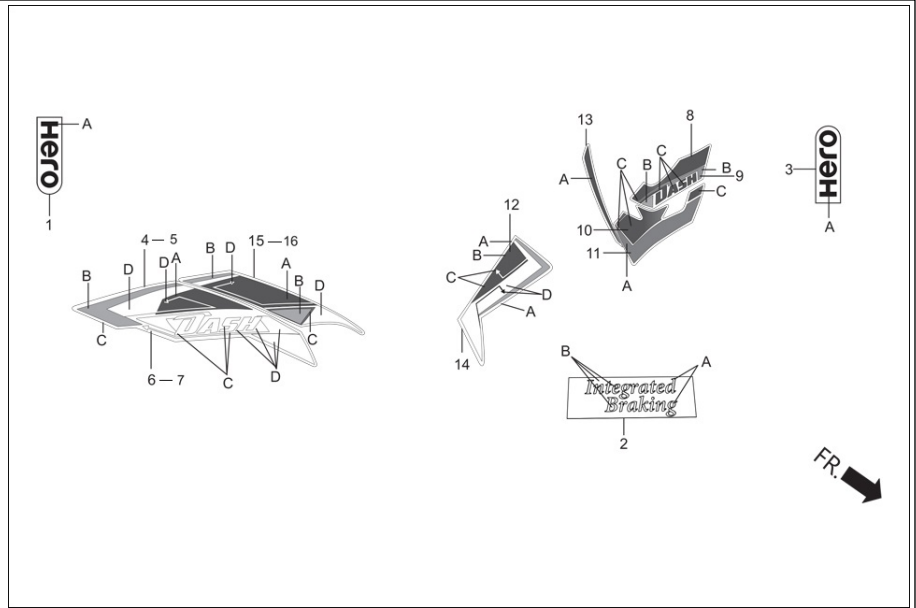
Group Number: F-27 Model :: Dash (July, 2017)

Ref No.	Part Number	Description	Req.
4	87110-AAW-400R	STRIPE A R BODY COVER	1
	87110-AAW-400T	STRIPE A R BODY COVER	1
	87110-AAW-400V	STRIPE A R BODY COVER	1
	87110-AAW-400W	STRIPE A R BODY COVER	1

**SPECIFIED COLOUR CHART FOR, STRIPE A R. BODY COVER**

SPECIFIED COLOUR TYPE	A	B	C	D	MAIN BODY COLOUR
1	SPORTS RED	LIGHT GREEN	MAT AXIS GRAY ME	PEARL FADELESS WHITE	MATT AXIS GRAY METALLIC (NH-303M) TYPE-1
3	MOON YELLOW	MANISH GREEN ME	MAT AXIS GRAY ME	PEARL FADELESS WHITE	MATT AXIS GRAY METALLIC (NH-303M) TYPE-3
5	SPORTS RED	SPORTS RED	MAT AXIS GRAY ME	PEARL FADELESS WHITE	SPORTS RED (R-321)
6	TECHNO NLUE ME	TECHNO BLUE ME	MAT AXIS GRAY ME	PEARL FADELESS WHITE	TECHNO BLUE METALLIC (BL-002M)

# F-27 MARK/STRIPE



Service Item

F.R.T.

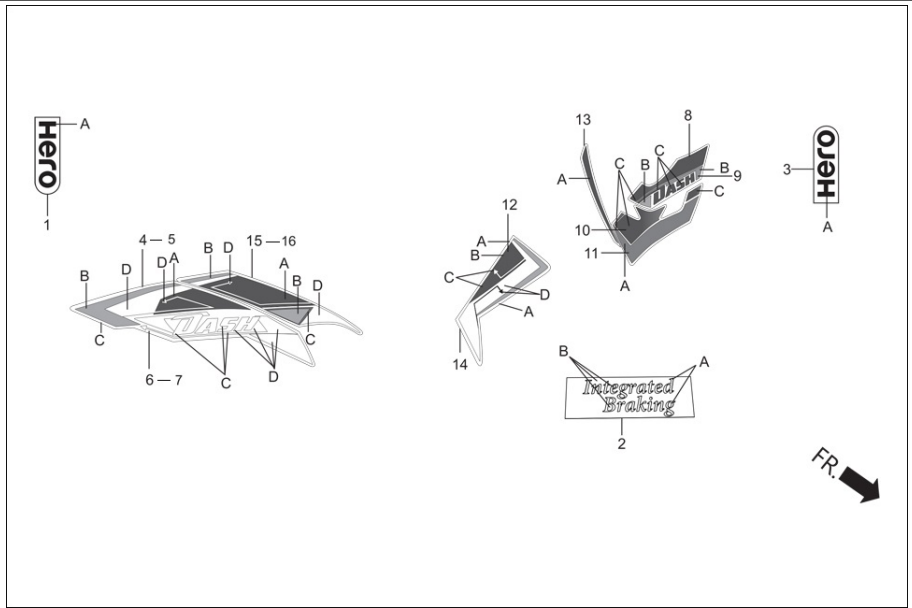
Group Number: F-27 Model :: Dash (July, 2017)

Ref No.	Part Number	Description	Req.
5	87111-AAW-400R	STRIPE A L BODY COVER	1
	87111-AAW-400T	STRIPE A L BODY COVER	1
	87111-AAW-400V	STRIPE A L BODY COVER	1
	87111-AAW-400W	STRIPE A L BODY COVER	1

**SPECIFIED COLOUR CHART FOR, STRIPE A L. BODY COVER**

SPECIFIED COLOUR TYPE	A	B	C	D	MAIN BODY COLOUR
1	SPORTS RED	LIGHT GREEN	MAT AXIS GRAY ME	PEARL FADELESS WHITE	MATT AXIS GRAY METALLIC (NH-303M) TYPE-1
3	MOON YELLOW	MANISH GREEN ME	MAT AXIS GRAY ME	PEARL FADELESS WHITE	MATT AXIS GRAY METALLIC (NH-303M) TYPE-3
5	SPORTS RED	SPORTS RED	MAT AXIS GRAY ME	PEARL FADELESS WHITE	SPORTS RED (R-321)
6	TECHNO NLUE ME	TECHNO NLUE ME	MAT AXIS GRAY ME	PEARL FADELESS WHITE	TECHNO BLUE METALLIC (BL-002M)

**F-27**  
MARK/STRIPE



Service Item

F.R.T.

Group Number: F-27 Model :: Dash (July, 2017)

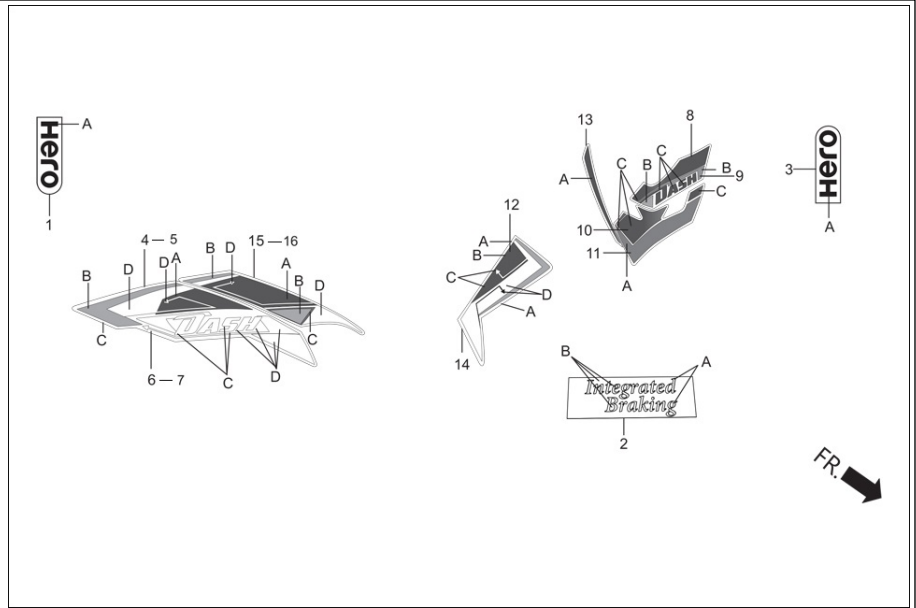
Ref No.	Part Number	Description	Req.
6	87112-AAW-4000	STRIPE B R BODY COVER	1

**SPECIFIED COLOUR CHART FOR, STRIPE B R. BODY COVER**

SPECIFIED COLOUR TYPE	A	B	C	D	MAIN BODY COLOUR
1	SPORTS RED	LIGHT GREEN	MAT AXIS GRAY ME	PEARL FADELESS WHITE	MATT AXIS GRAY METALLIC (NH-303M) TYPE-1
3	MOON YELLOW	MANISH GREEN ME	MAT AXIS GRAY ME	PEARL FADELESS WHITE	MATT AXIS GRAY METALLIC (NH-303M) TYPE-3
5	SPORTS RED	SPORTS RED	MAT AXIS GRAY ME	PEARL FADELESS WHITE	SPORTS RED (R-321)
6	TECHNO NLUE ME	TECHNO NLUE ME	MAT AXIS GRAY ME	PEARL FADELESS WHITE	TECHNO BLUE METALLIC (BL-002M)



**F-27**  
MARK/STRIPE



Service Item

F.R.T.

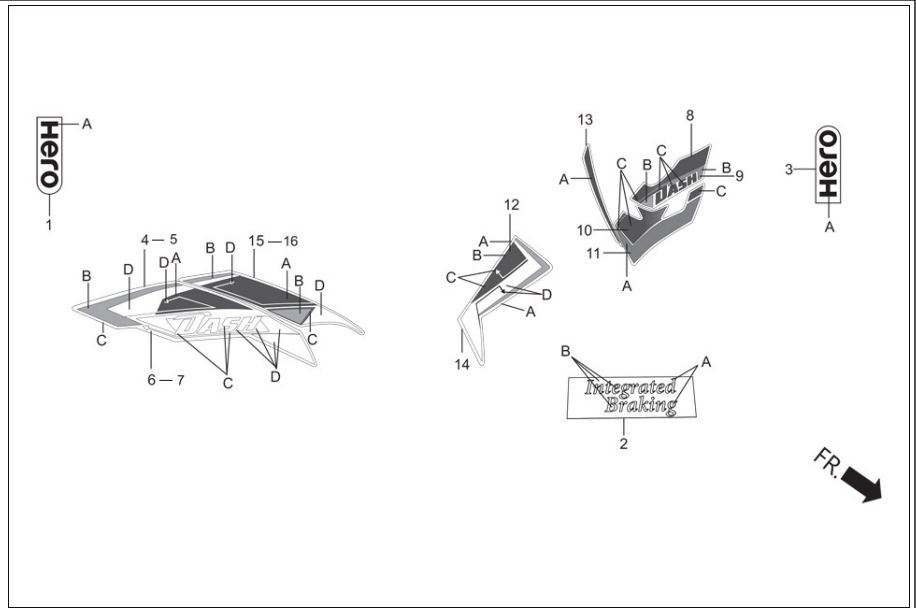
Group Number: F-27 Model :: Dash (July, 2017)

Ref No.	Part Number	Description	Req.
7	87113-AAW-4000	STRIPE B L BODY COVER	1

**SPECIFIED COLOUR CHART FOR, STRIPE B L. BODY COVER**

SPECIFIED COLOUR TYPE	A	B	C	D	MAIN BODY COLOUR
1	SPORTS RED	LIGHT GREEN	MAT AXIS GRAY ME	PEARL FADELESS WHITE	MATT AXIS GRAY METALLIC (NH-303M) TYPE-1
3	MOON YELLOW	MANISH GREEN ME	MAT AXIS GRAY ME	PEARL FADELESS WHITE	MATT AXIS GRAY METALLIC (NH-303M) TYPE-3
5	SPORTS RED	SPORTS RED	MAT AXIS GRAY ME	PEARL FADELESS WHITE	SPORTS RED (R-321)
6	TECHNO NLUE ME	TECHNO NLUE ME	MAT AXIS GRAY ME	PEARL FADELESS WHITE	TECHNO BLUE METALLIC (BL-002M)

**F-27**  
MARK/STRIPE



Service Item

F.R.T.

Group Number: F-27 Model :: Dash (July, 2017)

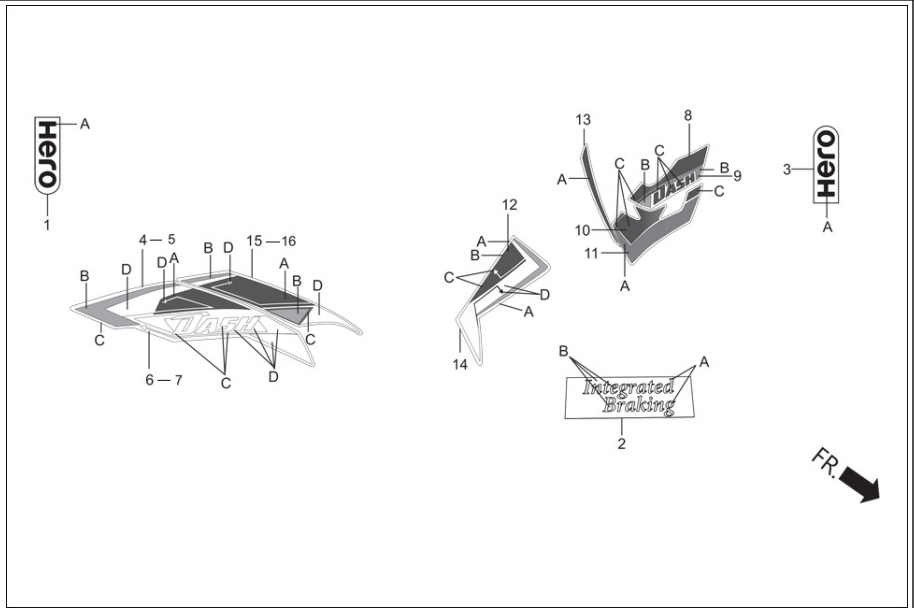
Ref No.	Part Number	Description	Req.
8	87114-AAW-400R	STRIPE A COVER FR CENTER A	1
	87114-AAW-400V	STRIPE A COVER FR CENTER A	1
	87114-AAW-400W	STRIPE A COVER FR CENTER A	1

FR

**SPECIFIED COLOUR CHART FOR, STRIPE A COVER FR CENTER A**

SPECIFIED COLOUR TYPE	C	MAIN BODY COLOUR
1	MAT AXIS GRAY ME	MATT AXIS GRAY METALLIC (NH-303M) TYPE-1
1	MAT AXIS GRAY ME	MATT AXIS GRAY METALLIC (NH-303M) TYPE-3
5	SPORTS RED	SPORTS RED (R-321)
6	TECHNO BLUE ME	TECHNO BLUE METALLIC (BL-002M)

# F-27 MARK/STRIPE



Service Item

F.R.T.

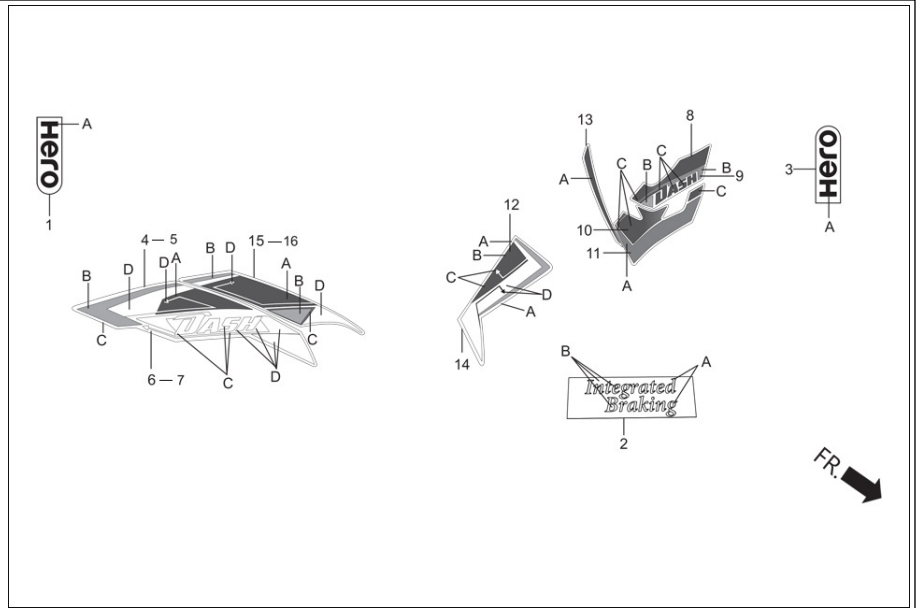
Group Number: F-27 Model :: Dash (July, 2017)

Ref No.	Part Number	Description	Req.
9	87115-AAW-400R	STRIPE B COVER FR CENTER A	1
	87115-AAW-400T	STRIPE B COVER FR CENTER A	1
	87115-AAW-400V	STRIPE B COVER FR CENTER A	1
	87115-AAW-400W	STRIPE B COVER FR CENTER A	1

**SPECIFIED COLOUR CHART FOR, STRIPE B COVER FR CENTER A**

SPECIFIED COLOUR TYPE	C	MAIN BODY COLOUR
1	LIGHT GREEN ME	MATT AXIS GRAY METALLIC (NH-303M) TYPE-1
3	MANTIS GREEN ME	MATT AXIS GRAY METALLIC (NH-303M) TYPE-3
5	IRON NAIL SILVER	SPORTS RED (R-321)
6	IRON NAIL SILVER	TECHNO BLUE METALLIC (BL-002M)

**F-27**  
MARK/STRIPE



Service Item

F.R.T.

Group Number: F-27 Model :: Dash (July, 2017)

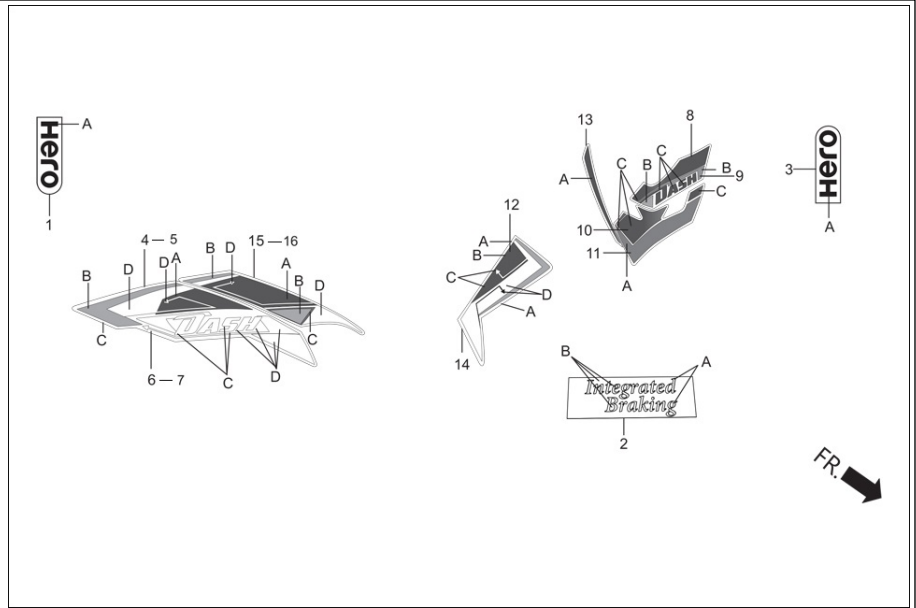
Ref No.	Part Number	Description	Req.
10	87116-AAW-400R	STRIPE C COVER FR CENTER A	1
	87116-AAW-400V	STRIPE C COVER FR CENTER A	1
	87116-AAW-400W	STRIPE C COVER FR CENTER A	1

**SPECIFIED COLOUR CHART FOR, STRIPE C COVER FR CENTER A**

SPECIFIED COLOUR TYPE	C	MAIN BODY COLOUR
1	MAT AXIS GRAY ME	MATT AXIS GRAY METALLIC (NH-303M) TYPE-1
1	MAT AXIS GRAY ME	MATT AXIS GRAY METALLIC (NH-303M) TYPE-3
5	SPORTS RED	SPORTS RED (R-321)
6	TECHNO BLUE ME	TECHNO BLUE METALLIC (BL-002M)



**F-27**  
MARK/STRIPE



Service Item

F.R.T.

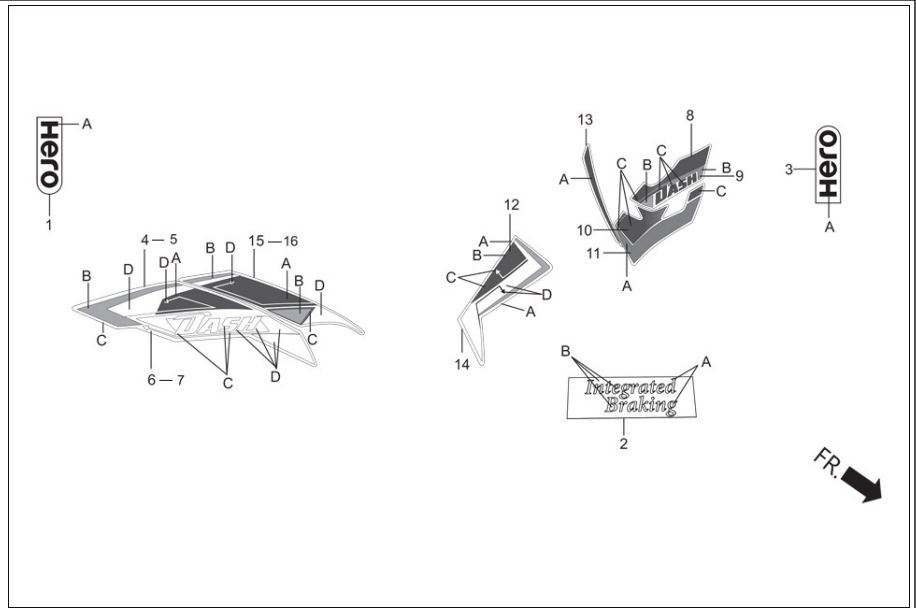
Group Number: F-27 Model :: Dash (July, 2017)

Ref No.	Part Number	Description	Req.
11	87117-AAW-400R	STRIPE D COVER FR CENTER A	1
	87117-AAW-400T	STRIPE D COVER FR CENTER A	1
	87117-AAW-400V	STRIPE D COVER FR CENTER A	1
	87117-AAW-400W	STRIPE D COVER FR CENTER A	1

**SPECIFIED COLOUR CHART FOR, STRIPE D COVER FR CENTER A**

SPECIFIED COLOUR TYPE	C	MAIN BODY COLOUR
1	LIGHT GREEN ME	MATT AXIS GRAY METALLIC (NH-303M) TYPE-1
3	MANTIS GREEN ME	MATT AXIS GRAY METALLIC (NH-303M) TYPE-3
5	IRON NAIL SILVER	SPORTS RED (R-321)
6	IRON NAIL SILVER	TECHNO BLUE METALLIC (BL-002M)

# F-27 MARK/STRIPE



FR

Service Item

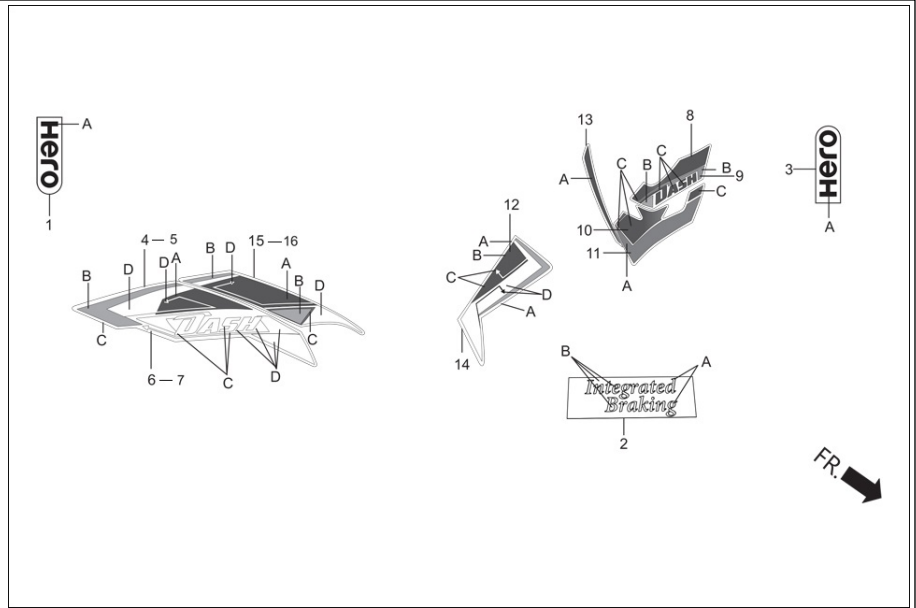
F.R.T.

Group Number: F-27 Model :: Dash (July, 2017)

Ref No.	Part Number	Description	Req.
12	87118-AAW-400R	STRIPE A R COVER FR	1
	87118-AAW-400T	STRIPE A R COVER FR	1
	87118-AAW-400V	STRIPE A R COVER FR	1
	87118-AAW-400W	STRIPE A R COVER FR	1

SPECIFIED COLOUR CHART FOR, STRIPE A R COVER FR A					
SPECIFIED COLOUR TYPE	A	B	C	D	MAIN BODY COLOUR
1	SPORTS RED	LIGHT GREEN	MAT AXIS GRAY ME	PEARL FADELESS WHITE	MATT AXIS GRAY METALLIC (NH-303M) TYPE-1
3	MOON YELLOW	MANISH GREEN ME	MAT AXIS GRAY ME	PEARL FADELESS WHITE	MATT AXIS GRAY METALLIC (NH-303M) TYPE-3
5	MAT AXIS GRAY ME	IRON NAIL SILVER ME	SPORTS RED	PEARL FADELESS WHITE	SPORTS RED (R-321)
6	MAT AXIS GRAY ME	IRON NAIL SILVER ME	TECHNO BLUE ME	PEARL FADELESS WHITE	TECHNO BLUE METALLIC (BL-002M)

# F-27 MARK/STRIPE



Service Item

F.R.T.

Group Number: F-27 Model :: Dash (July, 2017)

Ref No.	Part Number	Description	Req.
13	87119-AAW-400R	STRIPE B R COVER FR	1
	87119-AAW-400T	STRIPE B R COVER FR	1
	87119-AAW-400U	STRIPE B R COVER FR	1

**SPECIFIED COLOUR CHART FOR, STRIPE D COVER FR CENTER A**

SPECIFIED COLOUR TYPE	D	MAIN BODY COLOUR
1	SPORTS RED	MATT AXIS GRAY METALLIC (NH-303M) TYPE-1
3	MOON YELLOW	MATT AXIS GRAY METALLIC (NH-303M) TYPE-3
4	MAT AXIS GRAY ME	SPORTS RED (R-321)
4	MAT AXIS GRAY ME	TECHNO BLUE METALLIC (BL-002M)

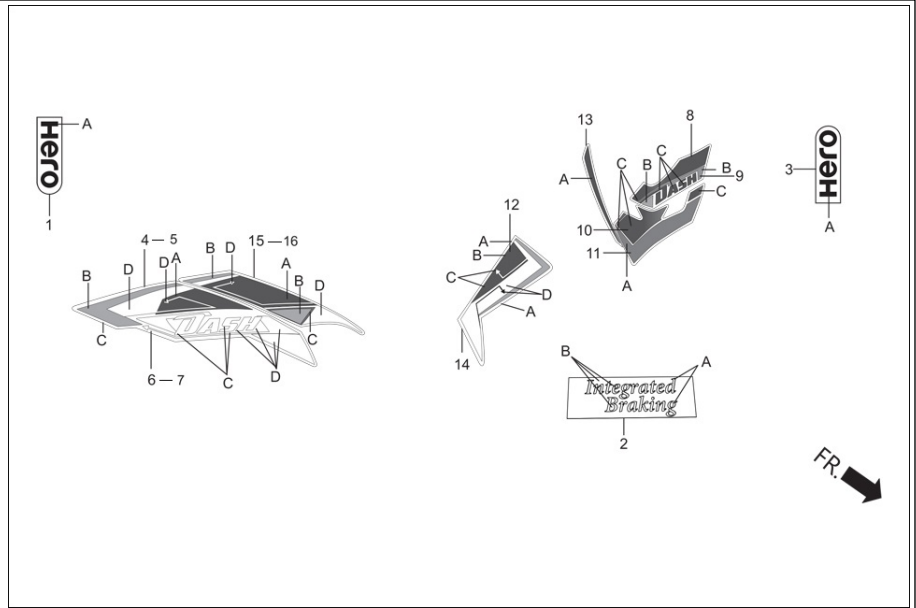


**SPECIFIED COLOUR CHART FOR, STRIPE A L COVER FR**

SPECIFIED COLOUR TYPE	A	B	C	D	MAIN BODY COLOUR
1	SPORTS RED	LIGHT GREEN	MAT AXIS GRAY ME	PEARL FADELESS WHITE	MATT AXIS GRAY METALLIC (NH-303M) TYPE-1
3	MOON YELLOW	MANISH GREEN ME	MAT AXIS GRAY ME	PEARL FADELESS WHITE	MATT AXIS GRAY METALLIC (NH-303M) TYPE-3
5	MAT AXIS GRAY ME	IRON NAIL SILVER ME	SPORTS RED	PEARL FADELESS WHITE	SPORTS RED (R-321)
6	MAT AXIS GRAY ME	IRON NAIL SILVER ME	TECHNO BLUE ME	PEARL FADELESS WHITE	TECHNO BLUE METALLIC (BL-002M)



# F-27 MARK/STRIPE



Service Item

F.R.T.

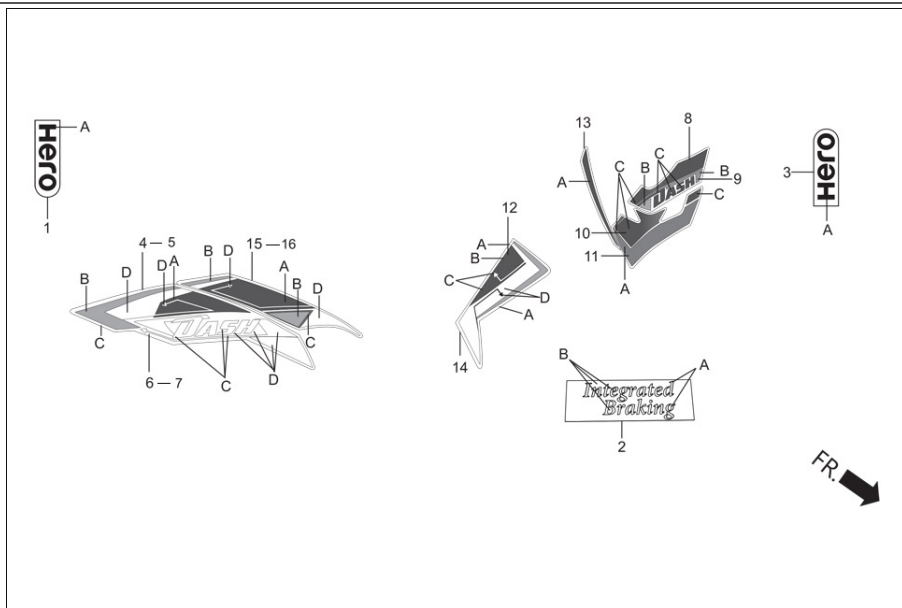
Group Number: F-27 Model :: Dash (July, 2017)

Ref No.	Part Number	Description	Req.
15	87122-AAW-400R	STRIPE C R BODY COVER	1
	87122-AAW-400T	STRIPE C R BODY COVER	1
	87122-AAW-400V	STRIPE C R BODY COVER	1
	87122-AAW-400W	STRIPE C R BODY COVER	1

**SPECIFIED COLOUR CHART FOR, STRIPE C R BODY COVER**

SPECIFIED COLOUR TYPE	A	B	C	D	MAIN BODY COLOUR
1	SPORTS RED	LIGHT GREEN	MAT AXIS GRAY ME	PEARL FADELESS WHITE	MATT AXIS GRAY METALLIC (NH-303M) TYPE-1
3	MOON YELLOW	MANISH GREEN ME	MAT AXIS GRAY ME	PEARL FADELESS WHITE	MATT AXIS GRAY METALLIC (NH-303M) TYPE-3
5	SPORTS RED	SPORTS RED	MAT AXIS GRAY ME	PEARL FADELESS WHITE	SPORTS RED (R-321)
6	TECHNO BLUE ME	TECHNO BLUE ME	MAT AXIS GRAY ME	PEARL FADELESS WHITE	TECHNO BLUE METALLIC (BL-002M)

**F-27**  
MARK/STRIPE



Service Item

F.R.T.

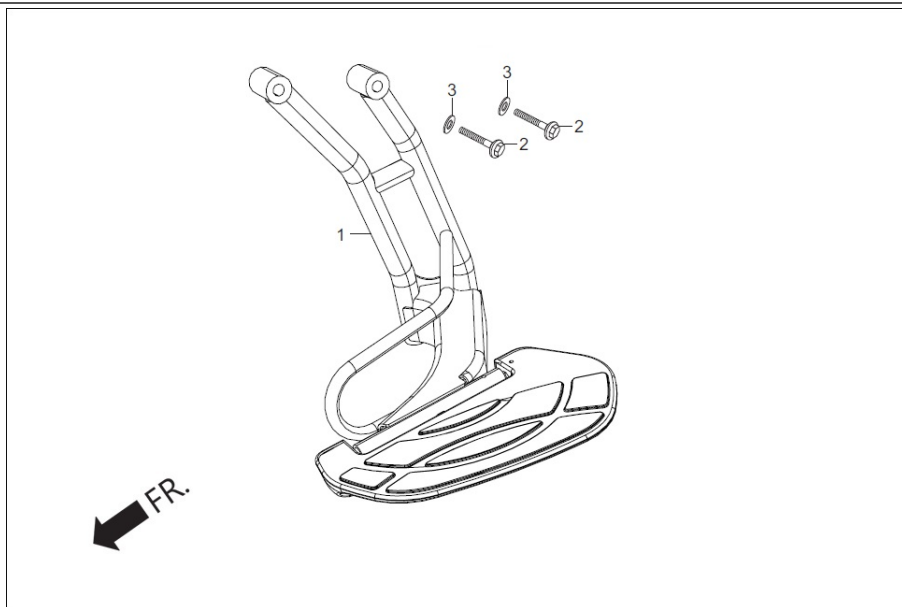
Group Number: F-27 Model :: Dash (July, 2017)

Ref No.	Part Number	Description	Req.
16	87123-AAW-400R	STRIPE C L BODY COVER	1
	87123-AAW-400T	STRIPE C L BODY COVER	1
	87123-AAW-400V	STRIPE C L BODY COVER	1
	87123-AAW-400W	STRIPE C L BODY COVER	1

**SPECIFIED COLOUR CHART FOR, STRIPE C L BODY COVER**

SPECIFIED COLOUR TYPE	A	B	C	D	MAIN BODY COLOUR
1	SPORTS RED	LIGHT GREEN	MAT AXIS GRAY ME	PEARL FADELESS WHITE	MATT AXIS GRAY METALLIC (NH-303M) TYPE-1
3	MOON YELLOW	MANISH GREEN ME	MAT AXIS GRAY ME	PEARL FADELESS WHITE	MATT AXIS GRAY METALLIC (NH-303M) TYPE-3
5	SPORTS RED	SPORTS RED	MAT AXIS GRAY ME	PEARL FADELESS WHITE	SPORTS RED (R-321)
6	TECHNO BLUE ME	TECHNO BLUE ME	MAT AXIS GRAY ME	PEARL FADELESS WHITE	TECHNO BLUE METALLIC (BL-002M)

**FOP-1**  
SARI STEP SET (OPTIONAL)

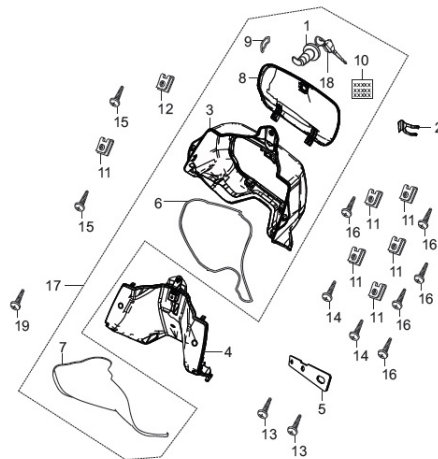


Service Item	F.R.T.
STEP PLATE, SARI	0.2
STEP ASSY., SARI	0.3
STEP COMP., SARI	0.5

**Group Number: FOP-1 Model :: Dash (July, 2017)**

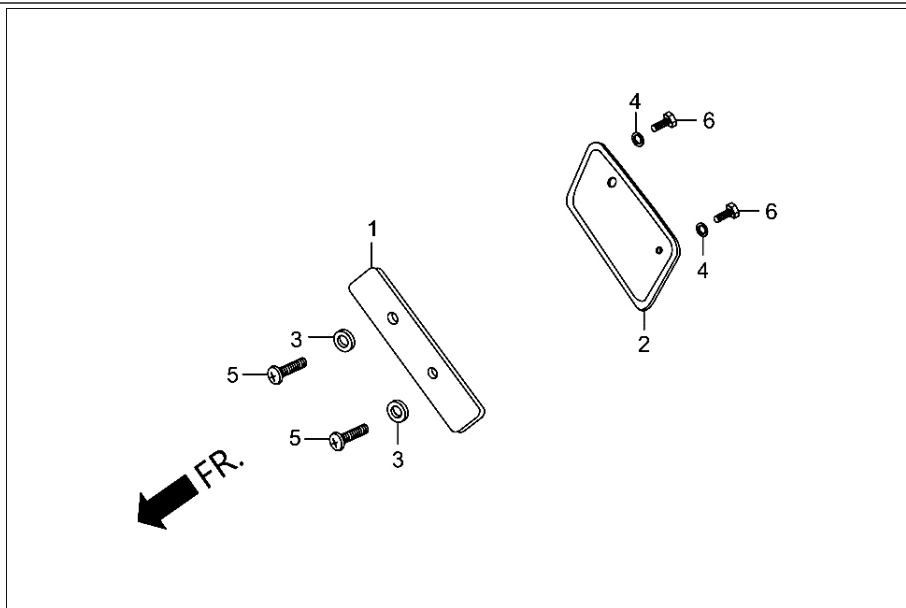
Ref No.	Part Number	Description	Req.
1	83541-AA Y-000	STEP ASSY., SAREE	1
2	95801-08045-00	BOLT FLANGE 8X45	2
3	94101-05000	WASHER , PLAIN, 5MM	2

**FOP-2**  
FR. INNER BOX (OPTIONAL)



Service Item	F.R.T.	Group Number: FOP-2 Model :: Dash (July, 2017)			
		Ref No.	Part Number	Description	Req.
		1	77232-AAW-000	LOCK ASSY. INNER BOX	1
		2	75581-673-000	SET SPRING, LOCK KEY	1
		3	81134-AAW-000	OUTER INNER BOX	1
		4	81135-AAW-000	INNER INNER BOX	1
		5	81136-AAW-000	STAY INNER BOX	1
		6	81137-AAW-000	SEAL INNER BOX	1
		7	81138-AAW-000	SEAL OUTER INNER	1
		8	81141-AAW-000	LID INNER BOX	1
		9	81143-AAW-300	PIN LID INNER BOX	1
		10	87505-AAW-000	LABEL TYRE	1
		11	90344-AAW-000	NUT CLIP 5MM	5
		12	90677-KAN-961	NUT CLIP 5MM	1
		13	93903-25880	SCREW TAPPING 5X40	2
		14	93903-25580	SCREW TAPPING 5X25	2
		15	93903-35380	SCREW TAPPING 5X16	2
		16	93903-25380	SCREW TAPPING 5X16	5
		17	81130-AAW-000	BOX ASSY INNER	1
		18	81145-AAW-000	KEY SET INNER BOX	1
		19	93891-05016-07	SCREW WASH 5X16	1

**FOP-3**  
FR./RR.NUMBER PLATE (OPTIONAL)



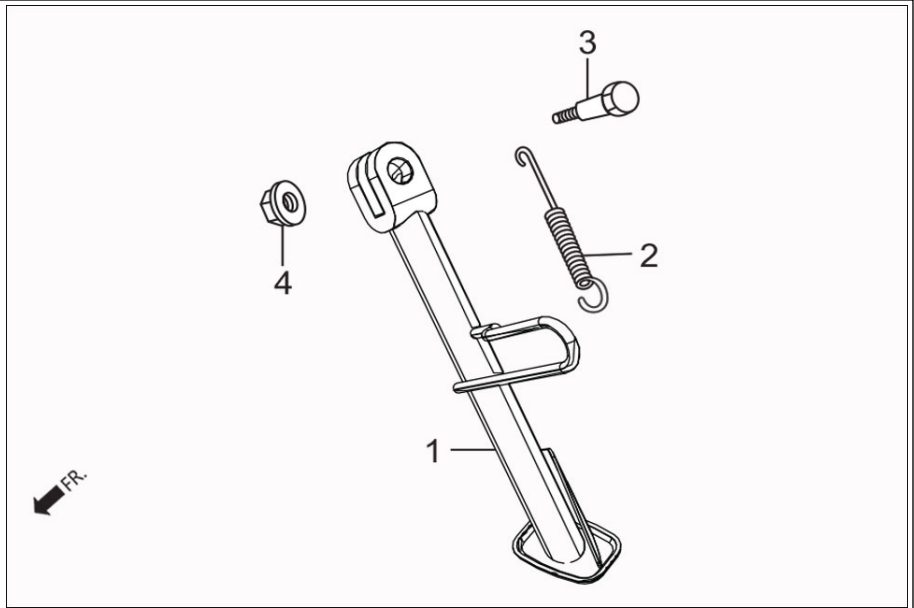
Service Item	F.R.T.
* FR/RR NUMBER PLATE (OPIONAL)	0.2

**Group Number: FOP-3 Model :: Dash (July, 2017)**

Ref No.	Part Number	Description	Req.
1	64310-198-D20A	PLATE, FRONT NUMBER	1
2	84701-P26-D00A	NUMBER, PLATE REAR	1
3	94101-05000	WASHER , PLAIN, 5MM	2
4	94101-06000	WASHER, PLAIN, 6 MM	2
5	93500-05010-1A	SCREW, PAN, 5X10	2
6	92000-06016-0A	BOLT, HEX., 6 X 16	2



**FOP-4**  
SIDE STAND (OPTIONAL)

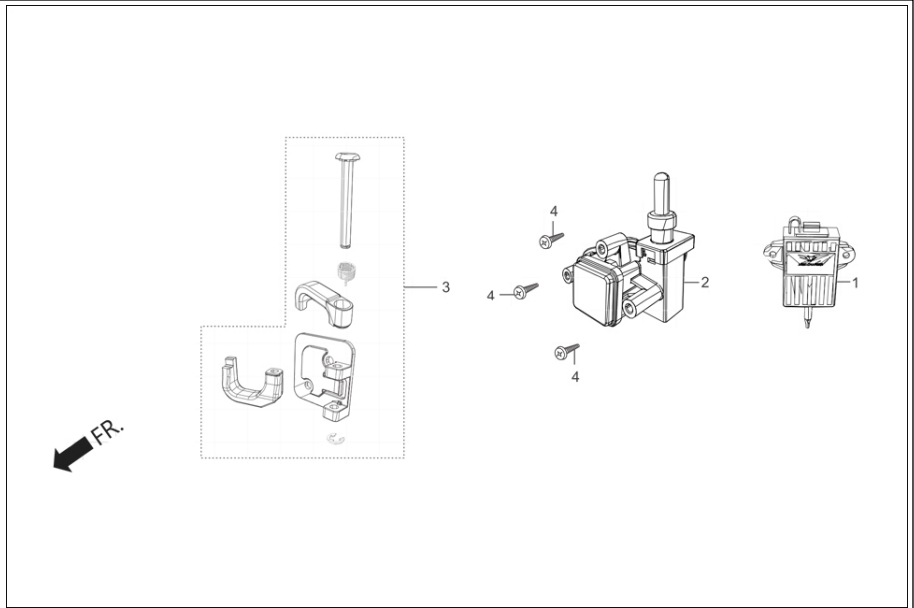


<b>Service Item</b>	<b>F.R.T.</b>
* SIDE STAND (OPTIONAL)	0.1

**Group Number: FOP-4 Model :: Dash (July, 2017)**

<b>Ref No.</b>	<b>Part Number</b>	<b>Description</b>	<b>Req.</b>
1	50530-AAW-000	BAR COMP. SIDE STAND	1
2	50536-KPL-900	SPG. SIDE SET	1
3	90109-KPL-900	BOLT SIDE STAND PIVOT	1
4	90304-KCS-920	NUT U 10 MM	1

**FOP-5**  
 USB CHARGER ASSY./LIGHT ASSY.  
 BOOT/LOAD HOOK ASSY.(OPTIONAL) (LX-  
 ONLY)



Service Item	F.R.T.
* USB CHARGER ASSY.	0.1
LIGHT ASSY BOOT	0.2
LOAD HOOK ASSY (OPTIONAL)	0.3

**Group Number: FOP-5 Model :: Dash (July, 2017)**

Ref No.	Part Number	Description	Req.
1	31300-AAW-001	USB CHARGER ASSY	1
2	33200-AAW-301	LIGHT ASSY., BOOT.	1
3	83139-AAW-000	LOAD HOOK ASSY	1
4	93903-34410	SCREW, TAPPING, 4 X 16.	3

# **PARTS INDEX**

<b>PART NO</b>	<b>BLOCK</b>	<b>PART NO</b>	<b>BLOCK</b>
2120A-AAW-000	E-14	14777-KN7-670	E-4
3310B-AAW-10099	F-1	14781-MA6-000	E-4
3340B-AAW-10099	F-19	15100-AAW-000	E-9
3345B-AAW-10099	F-19	15131-KPL-900	E-16
3370B-AAW-10099	F-20	15133-AAW-000	E-9
3372B-AAW-101	F-14	15135-AAW-000	E-9
7720B-AAW-000	F-12	15331-436-000	E-9
11100-ABG-200	E-7	15332-436-000	E-9
11103-AAW-000	E-7	15421-107-000	E-15
11103-AAW-000	E-11	15426-KCW-880	E-15
11200-ABG-200	E-15	15543-AAW-000	F-13
11203-AAW-000	E-15	15651-AAW-000	E-7
11211-AAW-000	E-2	16010-AAW-301	E-17
11220-GCC-000	E-14	16012-AAW-701	E-17
11230-KPL-900	E-11	16013-AAW-301	E-17
11341-AAL-500	E-11	16014-AAW-301	E-17
11342-AAL-500	E-11	16015-AAW-301	E-17
11344-GW3-980	E-11	16016-AAW-301	E-17
11345-AAW-300	F-23	16017-AAW-301	E-17
11346-AAW-000	F-23	16027-AAW-301	E-17
11347-AAW-300	F-23	16028-AAW-301	E-17
11361-AAW-000	E-7	16029-AAW-301	E-17
12101-AAW-000	E-6	16030-AAW-301	E-17
12191-AAL-00099	E-6	16032-AAW-301	E-17
12200-AAL-500	E-3	16033-AAW-301	E-17
12204-KPL-P00	E-3	16034-AAW-301	E-17
12206-KPL-900	E-3	16035-AAW-301	E-17
12209-AAN-410	E-4	16036-AAW-301	E-17
12211-AAW-000	E-3	16100-AAW-701	E-17

12251-KPL-840	E-3	16131-AAW-301	E-17
12310-AAW-000	E-2	16211-AAW-300	E-3
12315-AAW-000	E-2	16212-AAW-301	E-3
12361-035-000	E-15	16213-AAW-000	F-3
12391-AAW-000	E-2	16229-AAW-300	E-3
13000-AAW-300	E-16	16950-KRP-981	F-13
13011-KCC-942	E-16	17029-AAW-000	F-13
13012-KCC-942	E-16	17110-AAW-300	E-3
13013-KCC-942	E-16	17113-AAW-000	E-3
13014-KCC-942	E-16	17208-ABS-001	F-15
13015-KCC-942	E-16	17212-AAL-200	F-15
13101-KPL-901	E-16	17215-AAL-500	F-15
13102-KPL-901	E-16	17216-KTP-900	F-15
13103-KPL-901	E-16	17231-AAW-000	F-15
13104-KPL-901	E-16	17233-AAW-300	F-15
13105-KPL-901	E-16	17234-KCC-940	F-15
13111-087-000	E-16	17253-AAL-500	F-15
13115-001-000	E-16	17316-611-000	F-15A
14100-AAL-500	E-4	17320-AAW-000	F-13
14311-KPL-900	E-16	17450-AAW-000	F-13
14321-AAL-000	E-4	17451-AAW-000	F-13
14401-AAW-00099	E-5	17500-AAW-000	F-13
14430-AAW-000	E-4	17515-AAW-000	F-12
14440-AAW-000	E-4	17544-AAW-000	F-13
14451-AAW-000	E-4	17545-AAW-000	F-13
14461-GCC-000	E-4	17546-AAW-000	F-13
14510-AAW-000	E-5	17620-AAW-000	F-13
14520-KPL-840	E-5	17684-AAW-000	F-13
14531-GCC-000	E-5	17696-AAW-000	F-13
14560-KCW-880	E-5	17697-AAW-000	F-13

14611-AAW-000	E-5	17697-AAW-000	F-13
14711-GCC-000	E-4	17910-AAW-00099	F-3
14721-GCC-000	E-4	17950-AAW-300	F-3
14751-KTP-900	E-4	18292-GY1-610	F-16
14771-GB4-680	E-4	18293-AAW-000	F-16

<b>PART NO</b>	<b>BLOCK</b>	<b>PART NO</b>	<b>BLOCK</b>
18293-KPK-900	F-16	30700-KTP-951	F-22
18300-AAW-700	F-16	31100-ABG-201	E-8
18318-AAW-000	F-16	31110-ABG-201	E-8
18340-AAW-000	F-16	31120-AAW-301	E-8
18345-AAW-000	F-16	31204-AAL-001	E-10
18600-AAW-301	F-15A	31204-KTP-890	E-10
18640-AAW-300	E-3	31206-AAL-001	E-10
18645-MT4-730	E-3	31206-KTP-890	E-10
18651-AAW-000	F-15A	31210-AAW-00099	E-10
18652-AAW-300	F-15A	31211-AAW-302	E-10
18653-AAW-000	F-15A	31211-AAW-001	E-10
18805-KPL-900	F-14	31212-AAL-001	E-10
18807-KPL-900	F-14	31212-KTP-890	E-10
18812-KPL-900	F-14	31214-AAW-302	E-10
19510-KTP-900	E-8	31214-AAW-001	E-10
19610-AAW-000	E-1	31300-AAW-001	F-22
19621-AAL-500	E-1	31300-AAW-001	FOP-5
19623-KPL-900	E-1	31301-AAW-001	F-22
19625-AAW-000	E-1	31500-KRP-801	F-21
19631-AAL-500	E-1	31600-AAW-301	F-22
19639-GBC-000	E-1	31917-AAC-H00	E-3
21395-AAW-000	E-14	32100-AAW-701	F-22
22100-KWP-900	E-13	32105-AAW-302	E-10
22102-AAL-500	E-12	32105-KTP-891	E-10
22105-AAW-300	E-12	32175-AAW-000	F-20
22109-AAL-500	E-12	32412-AAW-001	F-21
22110-AAW-300	E-12	32412-AAW-001	F-22
22113-AAW-300	E-12	32603-KPL-780	F-22
22121-AAW-300	E-12	32907-KPL-900	E-8

22131-AAW-300	E-12	32976-107-010	E-8
22132-AAL-500	E-12	33112-KTN-921	F-1
22350-KWP-900	E-13	33120-AAW-00099	F-1
22350-AAW-300	E-13	33128-GBL-000	F-1
22361-AAW-300	E-13	33130-AAW-101	F-1
22401-KGG-910	E-13	33200-AAW-301	F-12
22535-AAW-000	E-13	33200-AAW-301	FOP-5
22804-148-000	E-13	33405-AAW-101	F-19
23100-AAL-500	E-13	33410-AAW-00099	F-19
23205-AAW-300	E-13	33455-AAW-101	F-19
23224-AAW-300	E-13	33460-AAW-00099	F-19
23225-AAW-300	E-13	33710-AAW-101	F-20
23226-AAW-300	E-13	33710-AAW-102	F-20
23233-KWP-900	E-13	33715-GB0-900	E-1
23237-AAW-300	E-13	33715-AAW-101	F-20
23238-KWP-900	E-13	33721-AAW-101	F-14
23411-AAW-300	E-14	33722-KVE-900	F-14
23421-GCC-000	E-14	33723-KVE-900H	F-14
23422-GCC-000	E-14	33729-MCZ-003	F-14
23430-KPL-901	E-14	33741-AAN-601	F-9A
28120-KPL-901	E-10	33741-AAM-101	F-14
28150-AAL-500	E-10	34351-AAB-401	F-1
28223-GCC-000	E-12	34351-AAB-401	F-14
28230-AAL-500	E-12	34901-KSP-910	F-1
28250-AAL-500	E-12	34901-KSP-910	F-1
28253-KVT-900	E-12	34908-AAB-401	F-19
28255-KPL-900	E-12	34908-AAB-401	F-20
28281-GCC-000	E-12	35010-AAW-301	F-4
28300-AAL-400	F-17	35100-AAW-301	F-4
30158-GW3-980	F-3	35103-AAW-001	F-4



30401-KVE-901	F-22	35121-AAW-001	F-4
30410-AAL-501	F-22	35121-AAW-011	F-4
30510-AAW-001	F-22	35160-AAW-001	F-3
30604-KTP-890	F-22	35170-AAW-001	F-3
30605-KTP-951	F-22	35180-AAW-001	F-3

<b>PART NO</b>	<b>BLOCK</b>	<b>PART NO</b>	<b>BLOCK</b>
35200-AAW-001	F-3	50330-AAW-310	F-21
35340-KTP-890	F-3	50352-GW0-730	F-23
37200-AAW-101	F-2	50353-AAW-000	F-23
37202-AAW-001	F-2	50355-AAW-000	F-23
37210-AAW-101	F-2	50380-AAW-000	F-21
37212-AAW-001	F-2	50500-AAW-000	F-17
37213-AAW-001	F-2	50501-KTP-900	E-11
37216-AAW-001	F-12	50503-GCC-000	F-17
37800-AAW-00099	F-13	50505-GCC-000	F-17
37801-GA7-700	F-13	50530-AAW-000	FOP-4
37802-GA7-700	F-13	50536-KPL-900	FOP-4
38110-AAL-301	F-22	50621-AAW-000	F-7
38301-AAJ-102	F-22	50633-AAW-000	F-7
38306-GE7-000	F-22	50638-AAW-000	F-7
38501-AAW-301	F-22	50646-AAW-000	F-7
38506-AAW-301	F-22	50710-AAW-000	F-7
42601-AAW-000	F-11	50715-AAW-000	F-7
42622-AAW-400V	F-11	50731-KV3-770	F-15
42622-AAW-400X	F-11	51400-AAW-300	F-9A
42622-AAW-400W	F-11	51401-AAW-300	F-9A
42711-AAL-00099	F-11	51410-AAW-300	F-9A
42753-AAL-001	F-10	51412-KSP-901	F-9A
42753-AAL-001	F-11	51414-AAW-000	F-9A
43141-KTP-900	F-11	51420-AAW-300	F-9A
43410-AAW-000	F-11	51425-KST-901	F-9A
43450-AAW-000	F-3	51432-KFN-851	F-9A
43455-AAL-100	F-10	51437-KVN-901	F-9A
43472-KPL-900	F-11	51440-AAW-001	F-9A
44301-AAW-000	F-10	51500-AAW-300	F-9A

44311-KPL-900	F-10	51501-AAW-000	F-9
44601-AAW-00099	F-10	51502-AAW-000	F-10
44620-AAW-000	F-10	51520-AAW-300	F-9A
44622-AAW-400V	F-10	52400-AAW-000	F-18
44622-AAW-400X	F-10	52482-175-620	F-4
44622-AAW-400W	F-10	52485-088-901	F-18
44711-AAW-00099	F-10	52486-GA7-003	F-18
44805-KTP-900	F-10	53100-AAW-300	F-4
44809-170-000	F-10	53124-ABS-000	F-4
44810-KTC-900	F-10	53140-AAW-000	F-3
44811-KPL-900	F-10	53155-AAW-000	F-4
44830-KTP-900	F-2	53166-AAW-000	F-3
44831-KTP-900	F-2	53167-AAW-300	F-3
45010-AAW-000	F-10	53168-AAW-000	F-3
45125-AAH-F0099	F-10	53172-AAL-100	F-3
45125-AAH-F0099	F-10	53173-KPL-900	F-3
45125-AAH-F0099	F-11	53175-AAW-000	F-3
45133-KCC-900	F-10	53178-AAL-100	F-3
45133-KCC-900	F-11	53181-AAL-100	F-3
45134-250-000	F-10	53182-AAL-100	F-3
45141-AAW-000	F-10	53183-GW3-980	F-3
45145-AAW-000	F-10	53200-AAW-310	F-9
45410-AAW-000	F-10	53205-AAW-000R	F-4
45435-GB2-720	F-10	53206-AAW-000	F-4
45440-AAW-000	F-3	53209-GAH-000	F-1
45450-AAW-000	F-3	53210-KTP-900	F-9
45451-AAW-000	F-5	53211-KEM-900	F-9
45456-AAW-000	F-10	53212-250-010	F-9
45459-AAW-000	F-10	53214-250-000	F-9
50100-AAW-300	F-23	53215-KPL-900	F-9

50263-AAW-000	F-23	53215-KTP-900	F-9
50301-KEM-900	F-9	53218-AAW-700	F-4
50302-KPL-900	F-9	53228-AAW-010	F-4
50306-KPL-900	F-9	61000-AAW-400V	F-5
50327-AAW-000	F-21	61000-AAW-400U	F-5

<b>PART NO</b>	<b>BLOCK</b>	<b>PART NO</b>	<b>BLOCK</b>
61000-AAW-400R	F-5	81133-AAW-500	F-12
61104-428-000	F-6	81134-AAW-000	FOP-2
61140-AAW-000	F-4	81135-AAW-000	FOP-2
64150-AAW-000	F-7	81136-AAW-000	FOP-2
64300-AAW-400R	F-6	81137-AAW-000	FOP-2
64300-AAW-400T	F-6	81138-AAW-000	FOP-2
64300-AAW-400V	F-6	81139-AAW-000	F-12
64300-AAW-400W	F-6	81141-AAW-000	FOP-2
64303-AAW-000	F-6	81143-AAW-300	FOP-2
64308-AAW-000	F-6	81145-AAW-000	FOP-2
64309-AAW-000	F-7	81250-AAW-000	F-12
64310-AAW-000	F-7	81252-AAW-500	F-23
64310-198-D20A	FOP-3	81253-AAW-000	F-12
64311-AAW-000	F-6	82871-AAW-000	E-1
64320-AAW-400R	F-7	82871-KTP-900	E-1
64320-AAW-400V	F-7	83139-AAW-000	F-8
64320-AAW-000W	F-7	83139-AAW-000	FOP-5
64330-AAW-400R	F-7	83300-AAW-400R	F-8
64330-AAW-400V	F-7	83300-AAW-400T	F-8
64330-AAW-000W	F-7	83300-AAW-400V	F-8
64360-AAW-400R	F-6	83300-AAW-400W	F-8
64360-AAW-400T	F-6	83400-AAW-400R	F-8
64360-AAW-400V	F-6	83400-AAW-400T	F-8
64360-AAW-400W	F-6	83400-AAW-400V	F-8
75581-673-000	F-8	83400-AAW-400W	F-8
75581-673-000	FOP-2	83403-AAW-000	F-4
77115-AAW-000	F-12	83407-AAW-000	F-4
77200-AAW-400	F-12	83408-AAW-000	F-12
77201-AAW-000	F-12	83541-AAW-000	FOP-1

77202-AAW-000	F-13	83560-AAW-000	F-8
77206-AAW-000	F-12	83561-AAW-000	F-8
77206-KG8-900	F-12	83562-AAW-000	F-20
77211-AAW-000	F-12	83700-AAW-400	F-8
77232-AAW-000	FOP-2	83702-AAW-400	F-8
77234-AAW-000	F-12	83771-AAW-000S	F-27
77235-AAW-000	F-12	84701-P26-D00A	FOP-3
77236-AAW-000	F-12	84703-425-000	F-6
77236-GBL-000	F-12	86217-AAW-000R	F-27
77243-AAW-001	F-12	86217-AAW-000S	F-27
77244-AAW-000	F-12	86531-AAW-000	F-27
77244-AAW-000	F-13	87110-AAW-400R	F-27
77245-AAW-000	F-12	87110-AAW-400T	F-27
77251-KPL-900	F-12	87110-AAW-400V	F-27
77300-AAW-400	F-23	87110-AAW-400W	F-27
77310-AAW-000	F-23	87111-AAW-400R	F-27
80102-AAW-300	F-23	87111-AAW-400T	F-27
80104-AAW-300	F-14	87111-AAW-400V	F-27
80105-AAW-000	F-14	87111-AAW-400W	F-27
80106-AAW-000	F-14	87112-AAW-4000	F-27
80107-AAY-000	F-4	87113-AAW-4000	F-27
80107-AAY-000	F-14	87114-AAW-400R	F-27
80132-AAW-000	F-14	87114-AAW-400V	F-27
80145-AAW-000	F-14	87114-AAW-400W	F-27
80151-AAW-000	F-8	87115-AAW-400R	F-27
80152-AAW-000	F-8	87115-AAW-400T	F-27
80153-AAW-000	F-13	87115-AAW-400V	F-27
80154-AAW-000	F-13	87115-AAW-400W	F-27
80155-AAW-001	F-13	87116-AAW-400R	F-27
80158-AAW-000	F-13	87116-AAW-400V	F-27

80159-AAW-000	F-13	87116-AAW-400W	F-27
80203-AAW-000	F-14	87117-AAW-400R	F-27
81130-AAW-000	FOP-2	87117-AAW-400T	F-27
81131-AAW-300	F-6	87117-AAW-400V	F-27
81132-AAW-000	F-6	87117-AAW-400W	F-27

<b>PART NO</b>	<b>BLOCK</b>	<b>PART NO</b>	<b>BLOCK</b>
87118-AAW-400R	F-27	90122-KVT-941	F-21
87118-AAW-400T	F-27	90123-AAW-300	F-9A
87118-AAW-400V	F-27	90164-KPL-900	F-4
87118-AAW-400W	F-27	90201-GCC-000	E-3
87119-AAW-400R	F-27	90202-KPL-900	E-13
87119-AAW-400T	F-27	90206-001-000	E-4
87119-AAW-400U	F-27	90301-AAW-000	F-8
87121-AAW-400R	F-27	90302-KTE-911	F-9A
87121-AAW-400T	F-27	90304-KPL-900	F-3
87121-AAW-400V	F-27	90304-KCS-920	F-4
87121-AAW-400W	F-27	90304-KCS-920	F-23
87122-AAW-400R	F-27	90304-KCS-920	FOP-4
87122-AAW-400T	F-27	90305-KPL-900	F-11
87122-AAW-400V	F-27	90306-KST-942	F-10
87122-AAW-400W	F-27	90306-KTE-911	F-10
87123-AAW-400R	F-27	90306-KVT-941	F-21
87123-AAW-400T	F-27	90307-GJ6-000	F-1
87123-AAW-400V	F-27	90308-KPL-840	F-16
87123-AAW-400W	F-27	90311-AAA-000	F-14
87503-AAW-100	F-12	90311-AAW-000	F-16
87505-AAW-000	F-25	90312-AAW-000	F-16
87505-AAW-000	FOP-2	90344-AAW-000	F-6
87522-AAW-000	F-25	90344-AAW-000	F-7
87541-AAW-300	E-1	90344-AAW-000	FOP-2
87560-MZ0-670	F-25	90381-KWA-940	F-5
88110-AAW-000	F-3	90401-GCC-000	E-3
88120-AAW-000	F-3	90402-AAW-000	E-3
89102-538-000	F-24	90410-GCC-000	E-8
89103-538-000	F-24	90412-329-000	E-12



89216-AAD-H00	F-24	90426-KVB-900	E-12
89216-KTP-900	F-24	90441-AAW-000	E-13
89218-AAL-H00	F-24	90451-KVT-900	E-12
90001-KPL-900	E-9	90474-333-000	E-15
90001-AAW-000	F-9	90501-KPL-900	F-11
90005-KY7-000	E-5	90543-MV9-670	E-2
90008-KPL-900	E-15	90544-439-930	F-9A
90012-333-000R	E-4	90601-KWP-900	E-13
90017-KPL-900	E-2	90601-GF5-731	F-9A
90031-ABG-200	E-7	90602-KPL-900	E-2
90032-ABG-200	E-15	90602-KPL-900	F-15
90033-AAW-300	E-17	90605-166-720	E-13
90035-GW3-980	F-2	90608-KVT-901	E-12
90083-KRM-840	E-4	90652-AAW-300	F-22
90083-KRM-840	E-8	90657-AAW-300	F-3
90101-GJ6-000	F-1	90657-AAW-300	F-23
90101-087-720	F-1	90666-AAB-000	F-6
90102-AAW-000	F-16	90672-KPL-901	E-1
90102-AAW-000	F-21	90672-KPL-901	F-23
90105-AAW-000	F-12	90677-KAN-961	FOP-2
90105-KJ9-000	F-23	90701-GF6-000	E-3
90106-GCC-000	F-23	90701-GF6-000	E-6
90109-KPL-900	FOP-4	90701-GF6-000	E-9
90111-187-000	F-5	90701-GF6-000	E-11
90111-KPL-900	F-6	90701-GF6-000	E-14
90111-KPL-900	F-8	90741-KPL-900	E-16
90111-187-000	F-8	90754-KPL-900	F-10
90111-KPL-900	F-17	90862-GCC-000	F-23
90111-187-000	F-20	90912-KPL-900	E-15
90112-KTP-900	F-11	90912-KPL-900	F-10

90112-KRP-900	F-12	91001-GCC-000	E-16
90113-AAY-000	F-4	91002-GCC-000	E-16
90115-KPL-900	F-3	91004-AAW-00099	E-7
90116-KTP-900	F-4	91004-AAW-00099	E-15
90116-AAW-001	F-9A	91009-KVY-961	E-13

<b>PART NO</b>	<b>BLOCK</b>	<b>PART NO</b>	<b>BLOCK</b>
91009-KVY-961	E-14	93903-34480	F-4
91009-GW3-980	E-14	93903-34410	F-4
91101-AAC-H40	E-16	93903-25380	F-6
91102-AAC-H40	E-16	93903-34410	F-6
91103-AAC-H40	E-16	93903-25380	F-7
91109-KVY-901	E-13	93903-34110	F-8
91201-KPL-901	E-7	93903-34410	F-8
91201-KPL-901	E-15	93903-35380	F-8
91202-KTP-900	E-15	93903-34410	F-12
91203-KPL-901	E-14	93903-24380	F-13
91204-AAW-000	E-7	93903-24420	F-14
91204-AAW-000	E-14	93903-24480	F-14
91211-GK8-013	E-13	93903-25480	F-15
91253-KPL-900	F-10	93903-34410	F-19
91255-KPL-901	E-14	93903-25880	F-19
91255-169-000R	F-9A	93903-25880	FOP-2
91301-HM5-630	E-5	93903-25580	FOP-2
91301-053-000	E-14	93903-35380	FOP-2
91302-001-020	E-15	93903-25380	FOP-2
91304-GB1-900	E-3	93903-34410	FOP-5
91306-105-690	E-5	93904-25380	E-1
91307-035-000	E-7	93913-AAW-001	F-20
91307-639-000	E-7	93913-24120	F-20
91309-AAL-001	E-10	94002-10070-0S	F-3
91309-KTP-890	E-10	94030-14200	E-12
91351-642-000	E-13	94030-12200	E-13
91351-GR1-000	E-13	94050-06000	E-3
91352-GAZ-930	F-2	94050-10000	E-8
91356-AAW-300	F-9A	94050-08000	E-14

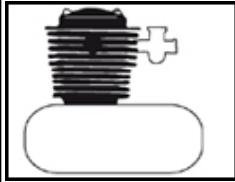
91406-KFN-850	F-13	94050-06000	F-6
91462-KM7-910	F-15A	94050-06000	F-10
91509-AAW-000	F-8	94050-06000	F-12
91541-S0A-003	F-22	94050-05000	F-14
91547-AAW-000	F-20	94050-06000	F-14
91547-AAW-000	F-20	94050-06000	F-15A
92000-06016-0A	F-14	94101-06000	F-14
92000-06016-0A	FOP-3	94101-05000	FOP-1
92201-08032-0A	F-18	94101-05000	FOP-3
92800-12000-00	E-7	94101-06000	FOP-3
92900-06016-0B	E-3	94102-12000	F-4
93401-06020-00	F-3	94102-12000	F-17
93401-06020-00	F-4	94103-05800	F-3
93404-06020-00	E-1	94103-04800	F-17
93404-06020-00	F-12	94109-12000	E-7
93404-06012-00	F-14	94201-25250	F-7
93404-06040-07	F-15	94201-25250	F-17
93404-06016-07	F-16	94201-AAW-000	F-17
93412-05012-08	E-10	94203-AAW-000	F-3
93500-06018-07	F-8	94301-08200	E-7
93500-04025-0G	F-15	94520-52150	E-15
93500-04032-0G	F-23	95001-45390-40	F-13
93500-05010-1A	FOP-3	95002-02120	E-2
93891-05016-07	FOP-2	95002-50000	F-13
93892-04006-08L	E-10	95002-02080	F-13
93901-34120	E-9	95002-02070	F-13
93901-34310	F-1	95002-02100	F-13
93901-32220	F-4	95002-02130	F-15
93901-22010	F-8	95002-02070	F-15A
93901-24480	F-14	95003-23027-60	F-13

93903-25380	E-1	95003-23033-60	F-13
93903-34110	E-2	95003-23032-60	F-15
93903-34110	E-11	95005-14070-30	F-17
93903-22480	F-2	95014-71202	F-17
93903-25180	F-4	95015-42000	F-11

<b>PART NO</b>	<b>BLOCK</b>
95015-32001	F-11
95018-AAW-000	F-15
95701-06014-00	E-2
95701-06025-00	E-3
95701-06100-00	E-3
95701-06014-00	E-3
95701-06022-00	E-5
95701-06022-00	E-7
95701-06055-00	E-7
95701-06080-00	E-7
95701-06115-00	E-7
95701-06016-00	E-8
95701-06030-00	E-14
95701-06040-00	E-14
95701-08012-00	E-15
95701-06025-00	F-6
95701-06012-00	F-9
95701-06032-00	F-10
95701-06010-00	F-10
95701-06016-00	F-12
95701-06012-00	F-15
95701-06012-00	F-15A
95701-08025-07	F-17
95701-06012-07	F-20
95701-06012-00	F-21
95701-06012-00	F-22
95701-06016-00	F-22
95701-08020-00	F-23
95801-10055-00	F-4

95801-AAW-000	F-16
95801-10035-00	F-18
95801-08045-00	FOP-1
96001-06025-07	E-1
96001-06016-00	E-3
96001-06020-00	E-7
96001-06016-00	E-8
96001-06035-00	E-8
96001-06025-07	E-8
96001-06035-00	E-10
96001-06035-00	E-11
96001-06055-00	E-11
96001-06070-00	E-11
96001-06070-00	E-15
96001-06016-07	F-8
96001-06018-00	F-22
96100-63010-00	E-14
96100-62010-00	E-14
96100-62010-00	E-15
96100-62020-00	E-15
96211-08000	F-7
96211-08000	F-9
96211-05000	F-9
98200-31000	F-22
98200-31500	F-22
99101-AAW-301	E-17
99103-AAW-301	E-17

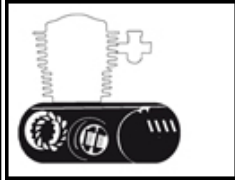
## BLOCK INDEX - GROUP Engine - Dash (July, 2017).



E-1  
E-2  
E-3  
E-4  
E-5  
E-6

SHROUD / FAN COVER  
CYLINDER HEAD COVER  
CYLINDER HEAD  
CAMSHAFT/VALVE  
CAM CHAIN/TENSIONER  
CYLINDER

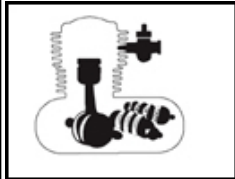
1  
2  
3  
4  
5  
6



E-7  
E-8  
E-9  
E-10  
E-11  
E-12

RIGHT CRANK CASE  
GENERATOR  
OIL PUMP  
STARTING MOTOR  
LEFT CRANK CASE COVER  
DRIVE FACE

7  
8  
9  
10  
11  
12



E-13  
E-14  
E-15  
E-16  
E-17

DRIVEN FACE  
CASE MISSION/TRANSMISSION  
LEFT CRANK CASE  
CRANK SHAFT/PISTON  
CARBURETTOR

13  
14  
15  
16  
17



## BLOCK INDEX - GROUP Frame - Dash (July, 2017).



F-1

**HEAD LIGHT**

18



F-2

**METER**

19



F-3

**HANDLE LEVER/SWITCH/CABLE**

20



F-4

**STEERING HANDLE/HANDLE COVER**

21



F-5

**FRONT FENDER**

22



F-6

**FR. & INNER COVER**

23



F-7

**FLOOR PANEL**

24



F-8

**BODY COVER**

25



F-9

**STRG. STEM**

26



F-9A

**FR. FORK**

27



F-10

**FRONT WHEEL**

28



F-11

**REAR WHEEL**

29



F-12

**SEAT/LUGGAGE BOX**

30



F-13

**FUEL TANK**

31



F-14

**REAR FENDER**

32



F-15

**AIR CLEANER**

33



F-15A

**AIR SUCTION VALVE**

34



F-16

**EXHAUST MUFFLER**

35



F-17

**ARM KICK START/MAIN STAND**

36



F-18

**REAR CUSHION**

37



F-19

**FRONT WINKER**

38



F-20

**REAR COMBINATION LIGHT**

39



F-21

**BATTERY**

40



F-22

**WIRE HARNESS**

41

## BLOCK INDEX - GROUP Frame - Dash (July, 2017).



F-23

FRAME BODY

42

F-24

TOOLS

43

F-25

CAUTION LABEL

44



F-27

MARK/STRIPE

45

FOP-1

SARI STEP SET (OPTIONAL)

61

FOP-2

FR. INNER BOX (OPTIONAL)

62

FOP-3

FR./RR.NUMBER PLATE (OPTIONAL)

63

FOP-4

SIDE STAND (OPTIONAL)

64

FOP-5

USB CHARGER ASSY./LIGHT ASSY. BOOT/LOAD HOOK  
ASSY.(OPTIONAL) (LX-ONLY)

65